

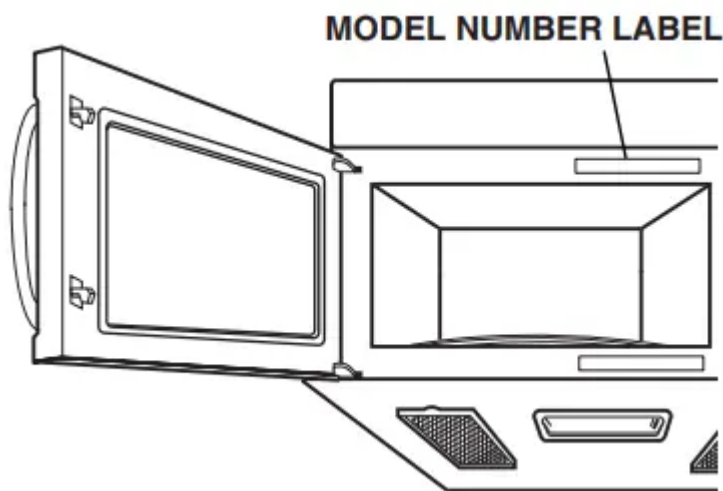
USER MANUAL MICROWAVE OVEN

SPECIFICATIONS

Please read this owner's manual. It will tell you how to use all the fine features of this microwave oven.

LOCATION OF MODEL NUMBER

To request service information or replacement parts, the service center will require the complete model number of your microwave oven. The number is on the left side of control panel as shown in the illustration below.



OVEN SPECIFICATIONS

Output Power: 1,000W (IEC 60705 Standard)

Outer Dimensions: 29-15/16" x 16-7/16" x 16-15/16"

Cavity Volume: 1.7 Cu.ft

Net Weight: 48.9 lbs.

ELECTRICAL RATING

* Electrical Rating of the Oven:120V AC 60Hz

* 14 Amps / 1600 Watts (MWO + Cooktop Lamp + Ventilation Fan)

ELECTRICAL REQUIREMENTS

The oven is designed to operate on a Standard 120V/60Hz household outlet. Be sure the circuit is at least 15A or 20A and the microwave oven is the only appliance on the circuit. It is not designed for 50Hz or any circuit other than a 120V/60Hz circuit.

GROUNDING INSTRUCTIONS

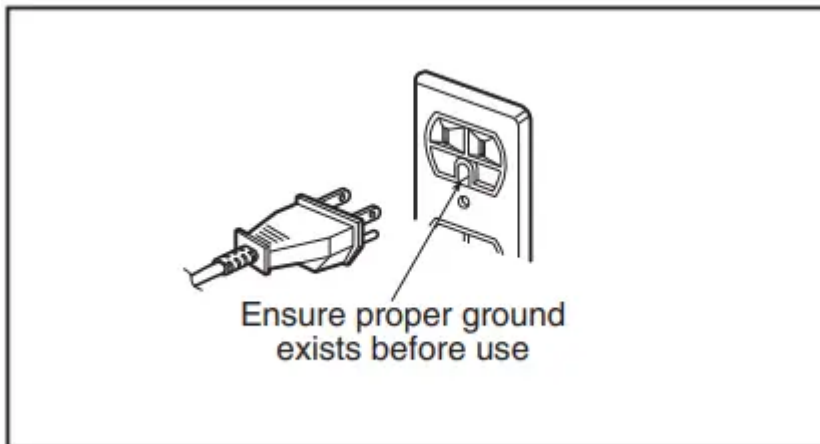
This appliance must be grounded. If an electrical short circuit occurs, grounding reduces the risk of electric shock by providing an escape wire for the electric current. The cord for this appliance has a grounding wire with a grounding plug. Put the plug into an outlet that is properly installed and grounded.

WARNING If you use the - grounding plug improperly, you risk electric shock.

Ask a qualified electrician if you do not understand the grounding instructions or if you wonder whether the appliance is properly grounded.

Because this appliance fits under the cabinet, it has a short power-supply cord. See the separate Installation Instructions for directions on properly placing the cord. Keep the electrical power cord dry and do not pinch or crush it in any way

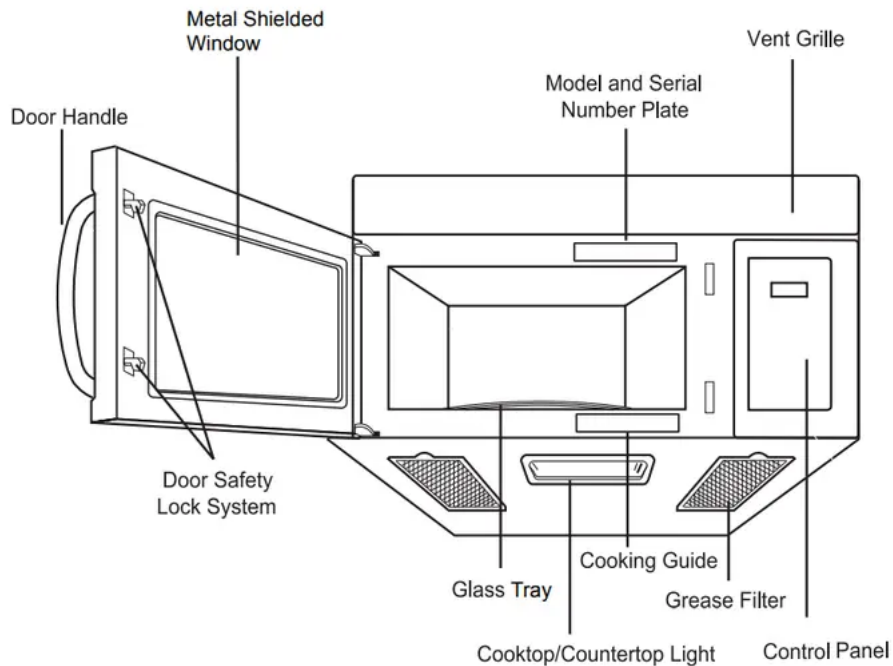
If it is necessary to use an extension cord, use only a 3-wire extension cord that has a 3-blade grounding plug, and a 3-slot receptacle that will accept the plug on the appliance. The marked rating of the extension cord shall be equal to or greater than the electrical rating of the appliance.



For a permanently connected appliance: This appliance must be connected to a grounded, metallic, permanent wiring system, or an equipment grounding conductor should be run with the circuit conductors and connected to the equipment grounding terminal or lead on the appliance.

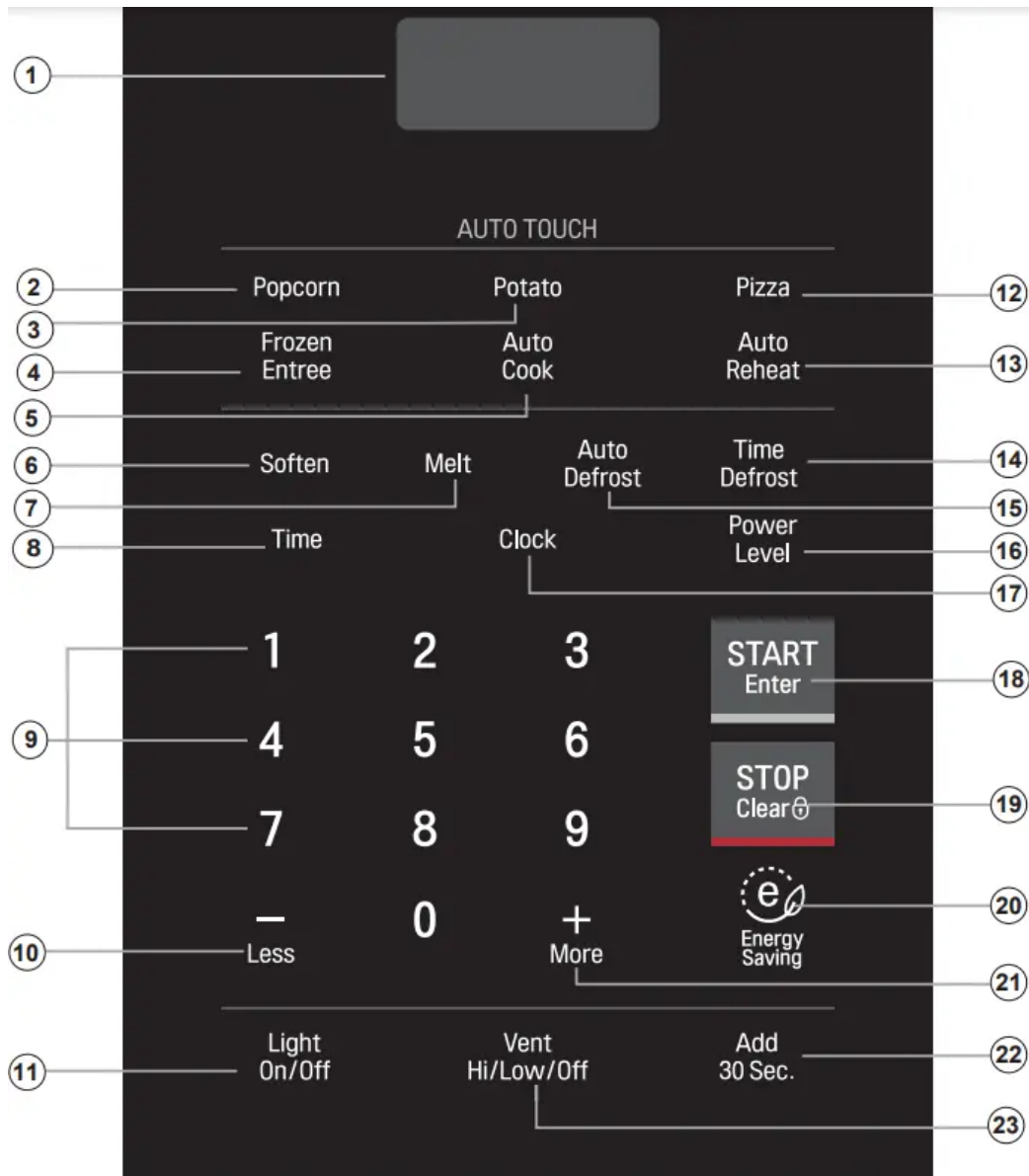
FEATURES

MICROWAVE OVEN FEATURES



1. **Metal Shielded Window.** The shield prevents microwaves from escaping. It is designed as a screen to allow you to view food as it cooks
2. **Door Handle**
3. **Model and Serial Number Plate**
4. **Charcoal Filter (behind Vent Grille)**
5. **Vent Grille**
6. **Control Panel.** Press the buttons on this panel to perform all functions.
7. **Grease Filter**
8. **Cooking Guide Label**
9. **Cooktop/Countertop Light**
10. **Glass Tray.** The glass tray moves food as it cooks for more even cooking. It must be in the oven during operation for best cooking results.
11. **Door Safety Lock System**

OVEN CONTROL PANEL



1. DISPLAY. The Display includes a clock and indicators to tell you time of day, cooking time settings and cooking functions selected.

2. Popcorn. Touch this pad when popping popcorn in your microwave oven.

3. Potato. Touch this pad to cook up to 4 potatoes without entering a cook time or power.

4. Frozen Entree. Touch this pad to cook a 10 to 20 ounce (284 to 567 g) frozen entree without entering a cook time or power.

5. Auto Cook. Touch this pad to cook microwavable foods without entering a cook time or power.

6. Soften. Touch this pad to soften butter, ice cream, cream cheese, frozen juice.

7. Melt. Touch this pad to melt butter or margarine, chocolate, cheese, marshmallow.

- 8. Time.** Touch this pad followed by number pads to set a cooking time.
- 9. NUMBER** Touch number pads to enter cooking time, power level, quantities or weights.
- 10. Less.** Touch this pad to subtract ten seconds of cooking time each time you press it.
- 11. Light On/Off.** Touch this pad to turn the cooktop/countertop light on or off.
- 12. Pizza.** Touch this pad to reheat one or several slices of pizza without entering a cook time or power.
- 13. Auto Reheat.** Touch this pad to reheat microwavable foods without entering a cook time or power.
- 14. Time Defrost.** Touch this pad to set a defrost time.
- 15. Auto Defrost.** Touch this pad followed by number pads to thaw frozen meat by weight.
- 16. Power Level.** Touch this pad to select a cooking power level.
- 17. Clock.** Touch this pad to enter the time of day.
- 18. START Enter.** Touch this pad to start a function. If you open the door after oven begins to cook, retouch START Enter.
- 19. STOP Clear.** Touch this pad to stop the oven or clear all entries.
- 20. Energy Saving.** Touch this pad to save energy.
- 21. More.** Touch this pad to add ten seconds of cooking time each time you press it.
- 22. Add 30 Sec.** Touch this pad to add 30 seconds of cooking time each time you press it.
- 23. Vent Hi/Low/Off.** Touch this pad to turn the Vent on or off.

NOTE: If you try to enter incorrect instructions, you will not hear any tones. Touch STOP Clear and re-enter the instructions.

USING YOUR MICROWAVE OVEN

LEARN ABOUT YOUR MICROWAVE OVEN

This section discusses the concepts behind microwave cooking and introduces you to the basics you need to know to operate your microwave oven. Please read this information before use.

AUDIBLE SIGNALS


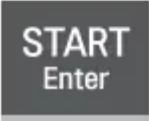
Audible signals are available to guide you when setting and using your oven:

- A programming tone will sound each time you touch a pad.
- Four tones signal the end of a cooking cycle.

CLOCK

When your microwave oven is first plugged in or after a power failure, the Display will show “:”. If a time of day is not set, “:” will show on the Display until you touch “Clock”.

Example: To set the clock for 10:30(AM or PM).

Touch:	Display Shows:
1. 	:
2. Clock	12:00
3. 1 0 3 0	10 : 30
4. 	10 : 30

NOTES:

- If you enter in an incorrect time and touch “Clock”, you cannot set time of day. Enter the correct time.
- If you touch STOP Clear while setting the clock, the Display will show the last time of day set or “:” if no time of day has been set.

INTERRUPTING COOKING

You can stop the oven during a cycle by opening the door. The oven stops heating and the fan stops, but the light stays on.

To restart cooking, close the door and Touch START.

If you do not want to continue cooking, open the door and touch STOP&OHDU.

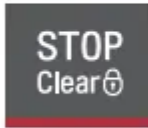
CHILD LOCK

Use this safety feature to lock the control panel when you are cleaning the oven, or so that children cannot use the oven unsupervised.

To set CHILD LOCK:

Touch:

1.



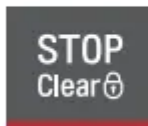
Display Shows:

Touch and hold until you hear 2 beeps and "Loc" appears in the display.
(approximately 4 seconds)

To cancel CHILD LOCK:

Touch:

1.



Display Shows:

Touch and hold until "Loc" disappears in the display.
(approximately 4 seconds)

VENT HI/LOW/OFF

The Vent moves steam and other vapors from the surface cooking.

Touch Vent once for High fan speed, twice for Low fan speed, or a three times to turn the fan off.

Touch:

1. **Vent**
Hi/Low/Off

Once for HIGH
Twice for Low

2. **Vent**
Hi/Low/Off

Display Shows:

:

:

Turn off fan when desired

NOTE:

If the temperature from the range or cooktop below the oven gets too hot, the exhaust fan in the vent hood will automatically turn on at the HIGH setting to protect the oven.

It may stay on up to an hour to cool the oven. When this occurs, the vent pad will not turn the fan off. You cannot turn the exhaust fan off during microwave cooking.

COOKTOP LIGHT

The pad on the bottom left of the control panel controls the cooktop light.

Example: To set the Lamp for ON.

Touch:

Display Shows:

**1. Light
On/Off**

:

Once for ON light
Twice for OFF light

**2. Light
On/Off**

:

To turn off, touch pad one
or two times depending on
light setting.

TIME DEFROST

Using Time Defrost can defrost for a selected length of time.

Example: To set Time Defrost for 2 minutes.

Touch:

Display Shows:

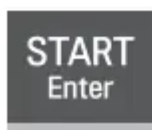
1. **Time
Defrost**

: 0

2. **2 0 0**

2:00

3.



Time counting down.

At the end of the Time defrost four tones will sound.

TIMED COOKING

This feature lets you program a specific cook time and power. For best results, there are 10 power level settings in addition to HIGH (100%) power . Refer to the “Microwave Power Levels Table” on page for more information.

NOTE: If you do not select a power level, the oven will automatically cook at HIGH (100%) power.

Example: To cook for 5 minutes, 30 seconds at 80% power.

Touch:

Display Shows:

1. Time

: 0

2. 5 3 0

5 : 30

3. Power
Level

P-HI

4. 8

P-80

5.



Time counting down
and **COOK**.

MULTI-STAGE COOKING

For best results, some recipes call for different cook powers during different stages of a cook cycle. You can program your oven to switch from one power level to another for up to 2 stages.

Example: To set a 2-stage cook cycle

Touch:

Display Shows:

1. Time *: 0*

2. 3 0 0 *3:00*

To set a 3 minute cook time for first stage.

3. Power Level *P-HI*

4. 8 *P-80*

To set an 80% cook power for the first stage.

5. Time *: 0*

6. 7 0 0 *7:00*

To set a 7 minute cook time for second stage.

7. Power Level *P-HI*

8. 5 P-50

To set a 50% cook power for the second stage.

9.  Time counting down and **COOK**.


10. When the first stage is over, you will hear two short tones as the oven begins the second cook stage.


ENERGY SAVING

Energy Saving feature saves energy by turning off the display by touching the Energy Saving Button. The display will automatically turn off after 5 minutes of idleness if the clock has not been set.

If the clock has been set, then the display will not automatically turn off.

1.  Touch **STOP Clear**.

2.  Touch **Energy Saving** to turn the display off.

3.  Touch **Energy Saving** to Turn the display on.

MICROWAVE POWER LEVELS

For best results, some recipes call for different cook powers. The lower the cook power, the slower the cooking. Each number from 1 to 9 stands for a different percentage of full cook power.

The following chart gives the percentage of cook power each number pad stands for, and the cook power name usually used.

It also tells you when to use each cook power. Follow recipe or food package instructions if available.

NOTE: Refer to a reliable cookbook for cooking times based on the 1000 Watt cook power of your microwave oven.

COOK Power	NAME	WHEN TO USE IT
100% of full power	High	<ul style="list-style-type: none"> • Quick heating many convenience foods and foods with high water content, such as soups and beverages. • Cooking tender cuts of meat, ground meat,
9 = 90% of full power		<ul style="list-style-type: none"> • Heating cream soups
8 = 80% of full power		<ul style="list-style-type: none"> • Heating rice, pasta, or casseroles
7 = 70% of full power	Medium-High	<ul style="list-style-type: none"> • Cooking and heating foods that need a Cook Power lower than high (for example, whole fish and meat loaf) or when food is cooking too fast • Reheating a single serving of food
6 = 60% of full power		<ul style="list-style-type: none"> • Cooking requiring special care, such as cheese and egg dishes, pudding, and custards • Finishing cooking casseroles
5 = 50% of full power	Medium	<ul style="list-style-type: none"> • Cooking ham, whole poultry, and pot roasts • Simmering stews
4 = 40% of full power		<ul style="list-style-type: none"> • Melting chocolate • Heating pastries
3 = 30% of full power	Medium-Low, Defrost	<ul style="list-style-type: none"> • Manually defrosting foods, such as bread, fish, meats, poultry, and precooked foods
2 = 20% of full power		<ul style="list-style-type: none"> • Softening butter, cheese, and ice cream
1 = 10% of full power	Low	<ul style="list-style-type: none"> • Keeping food warm
0 = 0% of full power	None	<ul style="list-style-type: none"> • Standing time

NOTE: Once cook time has been entered, you can also use the Power Level pad as a second Kitchen Timer by entering “0” for the Cook Power. The oven will count down the cooking time you set without cooking.

AUTO DEFROST

Four defrost sequences are preset in the oven. The auto defrost feature provides you with the best defrosting method for frozen foods. The cooking guide will show you which defrost sequence is recommended for the food you are defrosting.

For added convenience, the Auto Defrost includes a built-in beep mechanism that reminds you to check, turn over, separate, or rearrange to get best defrost results. Four different defrosting levels are provided.

1 MEAT

2 POULTRY

3 FISH

4 BREAD

*First three available weight is 0.1~6.0 lbs.

The last available weight is 0.1-1.0 lbs.

Example: To defrost 1.2 lbs of ground beef.

Touch:

Display Shows:

1. **Auto
Defrost**

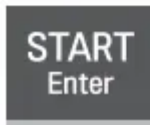
def1

2. **1 2**

1.2

To enter the weight

3.



Time counting down.

MAINTENANCE

CARE AND CLEANING

For best performance and safety, keep the oven clean inside and outside. Take special care to keep the inner door panel and the oven front frame free of food or grease build-up.

Never use abrasive powder or pads. Wipe the microwave oven inside and out, including the hood bottom cover, with a soft cloth and a warm (not hot) mild detergent solution. Then rinse and wipe dry.

Use a chrome cleaner and polish on chrome, metal and aluminum surfaces. Wipe spatters immediately with a wet paper towel, especially after cooking chicken or bacon. Clean your oven weekly or more often, if needed.

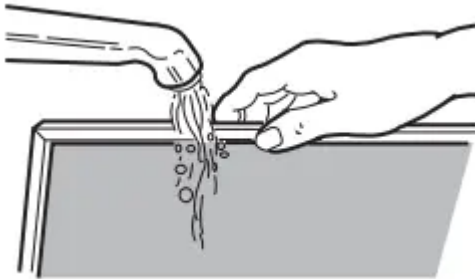
CLEANING THE GREASE FILTERS

The grease filters should be removed and cleaned often, at least once a month.

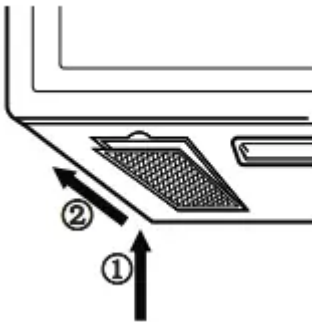
1. To remove the grease filters, slide each filter to the side, then pull the filters downward. The filters will drop out.



2. Soak grease filters in hot water and a mild detergent. Rinse well and shake to dry. Do not use ammonia or place them in a dishwasher. The aluminum will darken.



3. To reinstall the filters, slide them into the side slots, then push up and forward to lock.



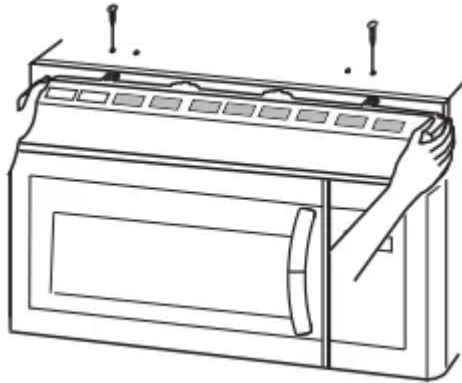
NOTE: Do not operate the hood without the filters in place.

CHARCOAL FILTER REPLACEMENT

If your oven is vented inside, the charcoal filter should be replaced every 6 to 12 months, and more often if necessary. The charcoal filter cannot be cleaned. To order a new charcoal filter, call 1-800-243-0000 or go to LG website

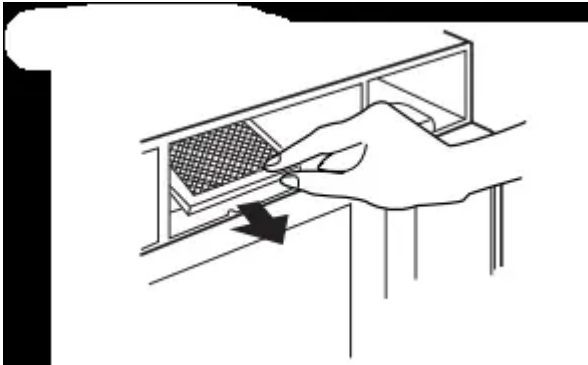
1. Turn the power off at the main power supply and wear gloves
2. Remove the two vent grille mounting screws. (2 outside screws)

3. Tip the grille forward, then lift it out.

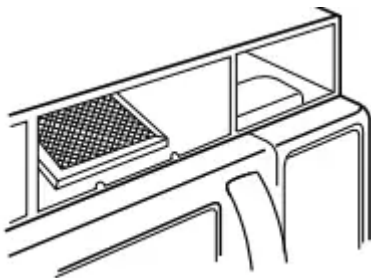


4. Open the door.

5. Remove the old filter



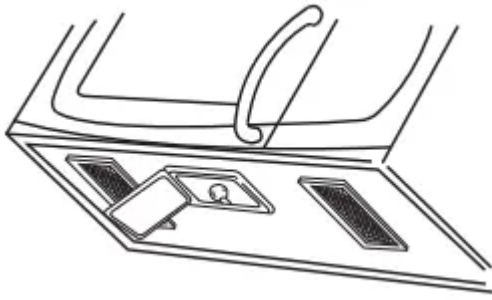
6. Slide a new charcoal filter into place and close the door. The filter should rest at the angle shown.



7. Slide the bottom of the vent cover into place. Push the top until it snaps into place. Replace the mounting screws. Turn the power back on at the main power supply and set the clock.

COOKTOP/NIGHT LIGHT REPLACEMENT

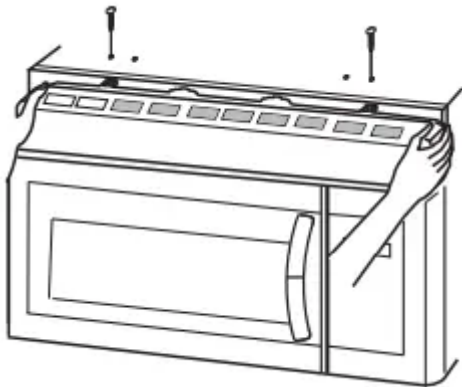
1. Unplug the oven or turn off power at the main power supply.
2. Remove the bulb cover mounting screws.



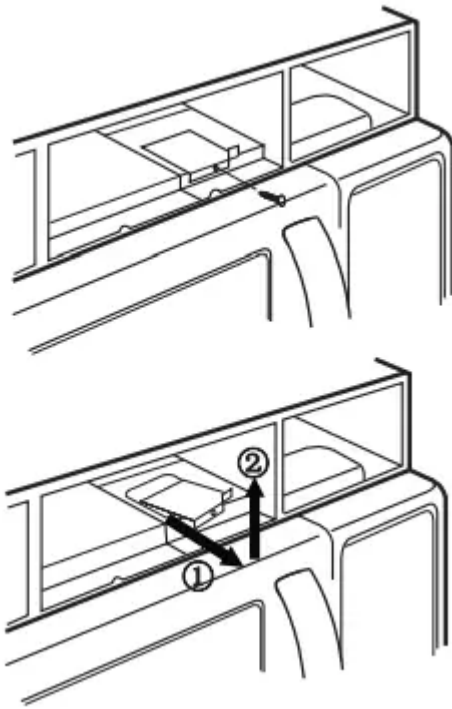
3. Replace the bulb with a 30 watt appliance bulb.
4. Replace the bulb cover and mounting screws.
5. Turn the power back on at the main power supply.

OVEN LIGHT REPLACEMENT

1. Unplug the oven or turn off power at the main power supply and wear gloves.
2. Remove the vent cover mounting screws. (2 outside screws)
3. Tip the cover forward, then lift out to remove.



4. Remove the cover screw, pull the cover forward and then lift up the bulb holder.



5. Replace the bulb with a 30 watt appliance bulb.
6. Replace the bulb holder and screw.
7. Slide the top of the vent cover into place. Push the bottom until it snaps into place. Replace the mounting screws. Turn the power back on at the main power supply

FAQS

FREQUENTLY ASKED QUESTIONS

Q. Can I use either metal or aluminum pans in my microwave oven?

A. Usable metal includes aluminum foil for shielding (use small, flat pieces), and shallow foil trays (if tray is 3/4 inch deep and filled with food to absorb microwave energy). Never allow metal to touch walls or door.

Q. Sometimes the door of my microwave oven appears wavy. Is this normal?

A. This appearance is normal and does not affect the operation of your oven.

Q. What are the humming noises that I hear when my microwave oven is operating?

A. You hear the sound of the transformer when the magnetron tube cycles on and off.

Q. Why does the dish become hot when I microwave food in it? I thought that this should not happen.

A. As the food becomes hot it will conduct the heat to the dish. Use hot pads to remove food after cooking.

Q. What does “standing time” mean?

A. “Standing time” means that food should be taken out of the oven and covered for additional time after cooking. This process allows the cooking to finish, saves energy and frees the oven for other purposes.

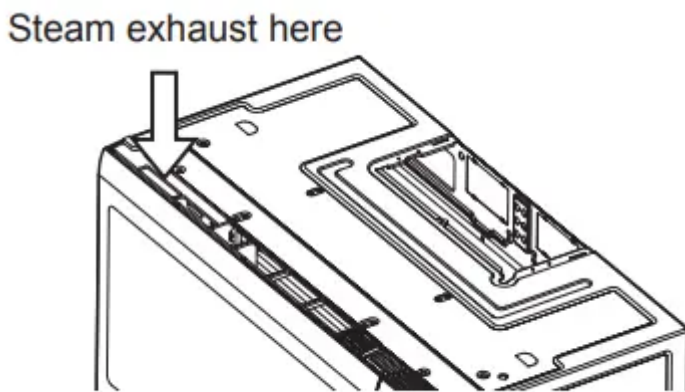
Q. Can I pop popcorn in my microwave oven? How do I get the best results?

A. Yes. Pop packaged microwave popcorn following manufacturer’s guidelines or use the preprogrammed Popcorn button.

Do not use regular paper bags. Use the “listening test” by stopping the oven as soon as the popping slows to a “pop” every one or two seconds. Do not try to repop unpopped kernels. You can also use special microwave poppers. When using a popper, be sure to follow manufacturer’s directions. Do not pop popcorn in glass utensils.

Q. Why does steam come out of the air exhaust vent?

A. Steam is normally produced during cooking. The microwave oven has been designed to vent this steam out the top vent.



TROUBLESHOOTING

BEFORE CALLING FOR SERVICE

Check the following list to be sure a service call is really necessary. A quick review of this manual as well as the additional information in this checklist may prevent an unneeded service call.

If nothing on the oven operates:

- check for a blown circuit fuse or a tripped main circuit breaker.
- check if oven is properly connected to electric circuit in house.
- check that controls are set properly.

If the oven interior light does not work:

- the light bulb is loose or defective.

If the oven will not cook:

- check that cooking program was entered correctly. check that door is firmly closed. check that Start button was touched. check that probe was inserted correctly into receptacle.
- check that timer wasn't started instead of a cook function.

If oven takes longer than normal to cook or cooks too rapidly:

- be sure the Power Level is programmed properly

If the time of day clock does not always keep correct time:

- check that the power cord is fully inserted into the outlet receptacle.
- be sure the oven is the only appliance on the electrical circuit.

If food cooks unevenly:

- be sure food is evenly shaped.
- be sure food is completely defrosted before cooking.
- check placement of aluminum foil strips used to prevent overcooking.

If food is undercooked:

- check recipe to be sure all directions (amount, time, power levels) were correctly followed.
- be sure microwave oven is on a separate circuit.
- be sure food is completely defrosted before cooking.

If food is overcooked:

- check recipe to be sure all directions (amount, power level, time, size of dish) were followed.

If arcing (sparks) occur:

- be sure microwavable dishes were used.
- be sure wire twist ties weren't used
- be sure oven wasn't operated when empty

If the Display shows a time counting down but the oven is not cooking:

- check that door is firmly closed.
- check that timer wasn't started instead of a cooking function.

Warning

This content is compiled from multiple sources and is provided for reference purposes only. It may not be complete or fully applicable to all situations. If you are unable to resolve your issue, please contact the product manufacturer or an authorized service provider for official support.

Document generated by [ManualsFile](#)

