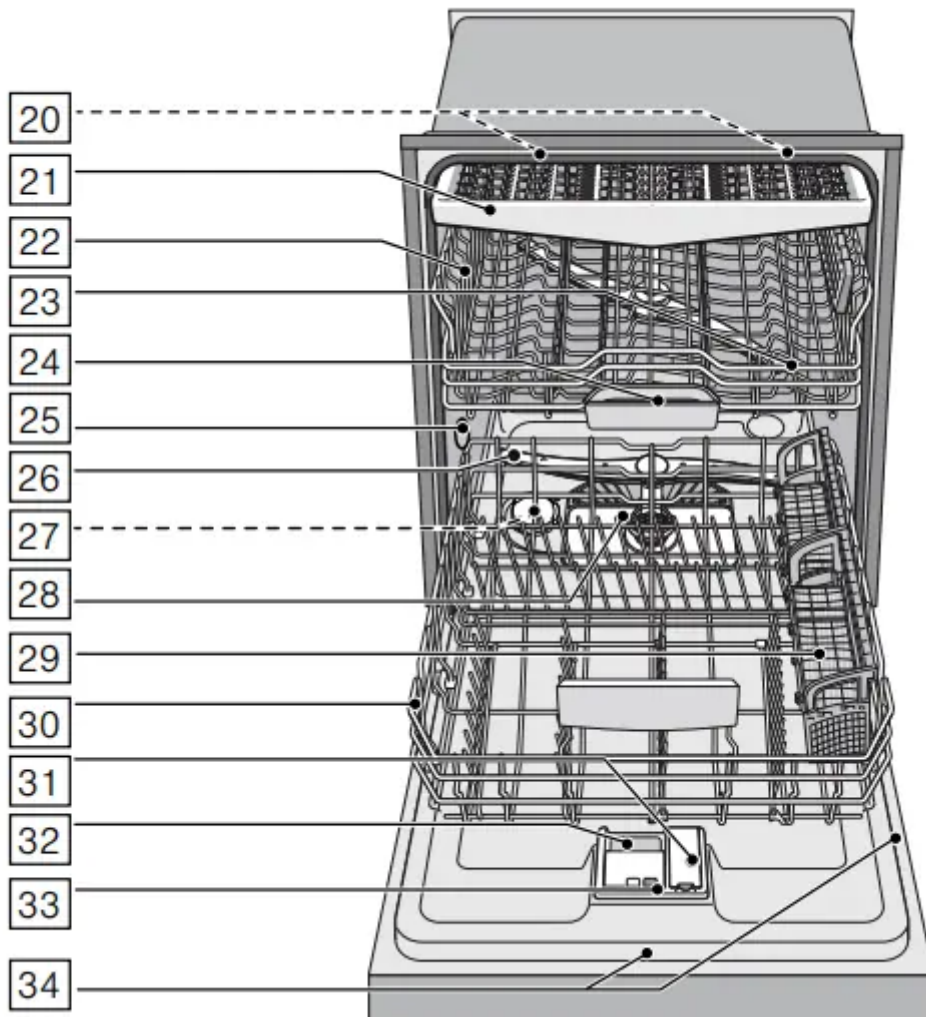
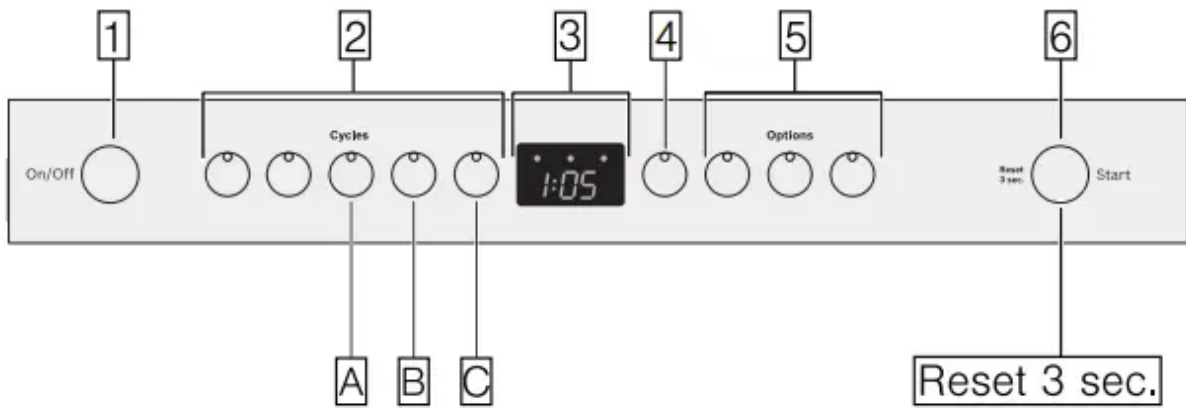


## Getting Started



### Operating panel

1 On/Off button



2 Wash cycles

3 Digital display

4 Delay start button

5 Wash cycle options

6 Start button

### **Dishwasher interior components**

20 Interior light \*

21 Third rack

22 Upper rack

23 Upper spray arm

24 Detergent tab tray

25 Vent hole

26 Lower spray arm

27 Dispenser for special salt\*

28 Filters

29 Silverware basket

30 Lower rack

31 Rinse aid dispenser

32 Detergent dispenser

33 Lock for detergent dispenser

34 Rating plate

### **Display indicators**

<b>0:00</b>	Cycle time remaining
<b>Clean</b>	Lights up when dishes are clean
<b>Sanitize</b>	Lights up when sanitation requirements are met
<b>Add Rinse Aid</b>	Lights up when rinse aid is low

### Menu overview

The dishwasher has been preset with certain settings for your convenience. You can change these factory settings.

Use the function keys A B and 3 to change the settings

Setting	Factory setting	Description
<i>r</i> Rinse aid <i>r:00 - r:06</i>	<i>r:05</i>	Amount of rinse aid affects drying. When using Multitabs, select setting 0.
<i>d</i> Intensive drying <i>d:00 - d:01</i>	<i>d:00 / Off</i>	Improved drying for glasses and plasticware.
<i>b</i> Cycle completion signal <i>b:00 - b:03</i>	<i>b:02</i>	Signal sounds when wash cycle is complete.
<i>l</i> Info light <i>l:00 - l:01</i>	<i>l:01 / On</i>	Light is projected to signal an active wash cycle.
<i>P</i> Auto power off <i>P:00 - P:02</i>	<i>P:01</i>	Dishwasher switches off automatically after wash cycle is complete.

## Rinse Aid

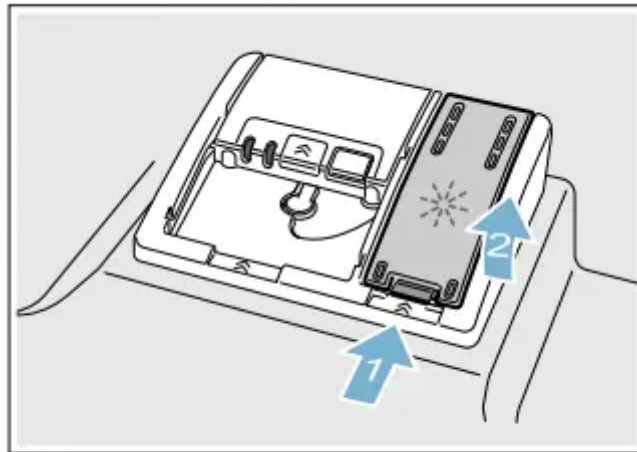
To achieve proper drying, always use a liquid rinse aid, even if your detergent contains a rinse aid or drying additive.

**Note:** The dishwasher indicates low rinse aid by turning on the Rinse Aid indicator on the display **3**. If this indicator lights up, you need to refill the rinse aid dispenser **31** by following the directions below.

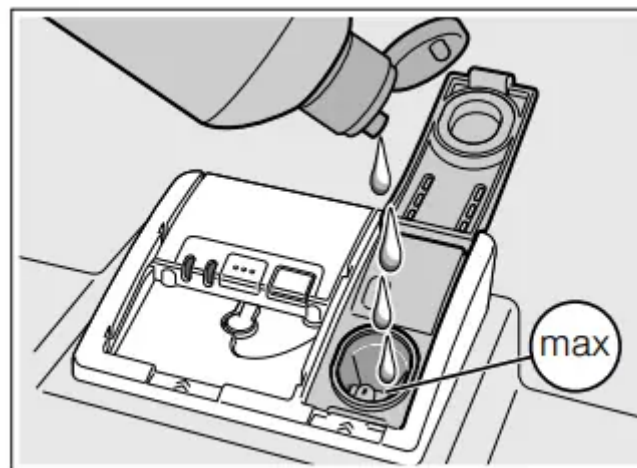
### Adding rinse aid

**NOTICE:** To avoid oversudsing or clogging, do not overfill the rinse aid dispenser **31**. Wipe up any spills with a damp cloth.

1. Open the rinse aid dispenser **31** by pressing on the latch of the lid and pull it open.



2. Add liquid rinse aid to the dispenser **31** until it is full. Do not overfill.



3. Close the lid. Lid must be fully closed until it clicks in order to seal.

4. Wipe up any excess rinse aid that may have puddled when the dispenser reservoir is full.

The indicator light will go out a few moments after the dishwasher door is shut.

**NOTICE:** Do not fill the rinse aid dispenser **31** with detergent. Doing so will damage the dishwasher.

### Setting the amount of rinse aid used

The amount of rinse aid dispensed can be set from *r:00* to *r:06*. The factory setting is *r:05*.

You should only change the setting if streaks remain on the dishes (lower the amount), or if dishes are not getting dry enough (increase the amount).

Setting	Amount
<i>r:00</i>	dispenser is OFF
<i>r:01</i>	lowest setting
<i>r:02</i>	low setting

Setting	Amount
<i>r:03</i>	medium setting
<i>r:04</i>	medium/high setting
<i>r:05</i>	high setting
<i>r:06</i>	highest setting

1. Open the door.
2. Press the **On/Off** button **1**.
3. Hold down the function key **A** and press the **Start** button **6** until the display **3** indicates *d:0x* (x can be any number). Release both buttons.
4. Press the function key **A** until the display **3** shows *r:05*.
5. Press the function key **C** to select the desired setting.
6. Press the **Start** button **6** to save the setting.

#### Turning off rinse aid indicator

Proceed as described in the section "Setting the amount of rinse aid used" and set value to *r:00*. The rinse aid indicator is now turned off.

**NOTICE** Using no rinse aid or setting the dispenser to **r:00** may result in longer cycle times consuming more energy and water. The higher temperatures and longer cycle times can damage fine china or glassware.

## Loading the Dishwasher

### Dishware material

**Note:** Before using your dishwasher for the first time, check the information in this section. Some items are not dishwasher-safe and should be hand washed; others require special loading.

Recommended	
Aluminum	Colored anodized aluminum may fade over time. Minerals in your water may cause the aluminum to darken or spot. This can usually be removed with a soap-filled steel wool pad.
China, Crystal, Stoneware	Some hand-painted utensils may discolor, fade or spot. Hand wash these utensils. Position fragile glassware so that it will not topple over or come in contact with other utensils during the wash cycle.
Glass	Milk glass may discolor or become yellow.
Non-stick Coatings	Apply a light coating of vegetable oil to non-stick surfaces after drying.
Plastics	Make sure the plasticware is dishwasher-safe.
Stainless Steel, Sterling Silver and Silver Plates	Load these so they do not come in contact with other metals, stainless steel dishwasher tub walls or the inner door.

Not Recommended	
Acrylic	Crazing or small cracks throughout the acrylic, may occur.
Adhesive-Joined Pieces	Adhesives that join materials such as plastic, wood, bone, steel, copper, tin, etc. may loosen.
Bone-Handled Utensils	Handles may separate.
Iron	Iron will rust. Hand wash and dry immediately.
Non-Dishware Items	Your dishwasher is intended for use in cleaning ONLY standard household dishware and kitchenware.
Pewter, Brass, Bronze	These items will tarnish. Hand wash and dry immediately.
Tin	Tin will stain. Hand wash and dry immediately.
Wood	Wooden bowls, wooden utensils and utensils with wooden handles can crack, warp and lose their finish.

### Loading the racks

For best dishwashing results, observe the following when loading the dishwasher:

- Do not pre-wash items with loosely attached food soil.
- Remove all food particles, bones, toothpicks and excessive grease
- Pre-treat items having burned-on, baked-on or starchy soils.
- Load dishes in the dishwasher racks so the insides of bowls, pots and pans are facing the spray arms.
- Avoid nesting and contact points between dishes.
- Separate items of dissimilar metals. Use care to not block movement of the spray arms

- Only wash household dishware and kitchenware rated as dishwasher-safe. Refer to the Dishware Materials section for more information about dishware suitability.

**NOTICE:** To avoid dishwasher damage, do not load the dishwasher with paper products, plastic bags, packing materials or anything other than normal, dishwasher safe dishware and kitchenware.

**Loading the upper rack:** Ensure items do not protrude through the bottom of the racks and block the spray arm. **Note:** When pushing the upper rack **22** into the dishwasher, push it until it stops against the back of the tub so the upper rack spray arm **23** connects to the water supply at the back of the tub. Do not push racks in using the door.

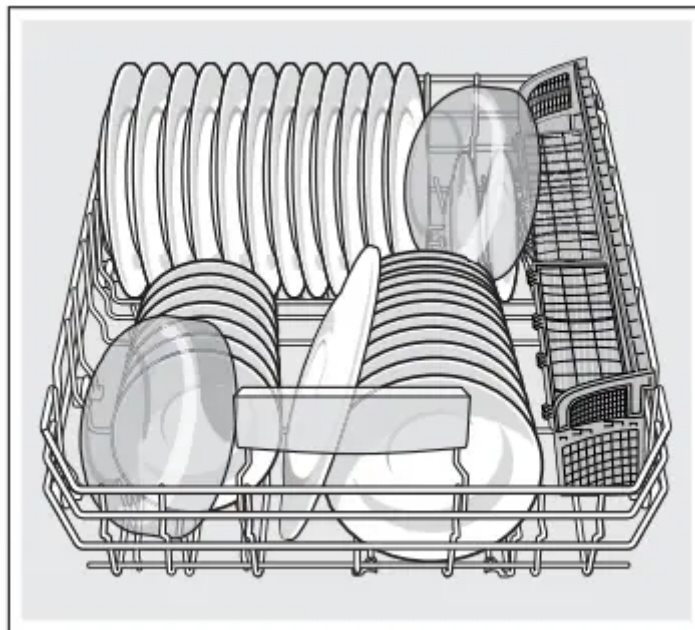
**Loading the lower rack:** Place large items in the lower rack **30** Load pots, pans and bowls upside down. Do not block the vent hole **25** with tall baking sheets. Load these items on the right side of the dishwasher.

### Recommended loading pattern

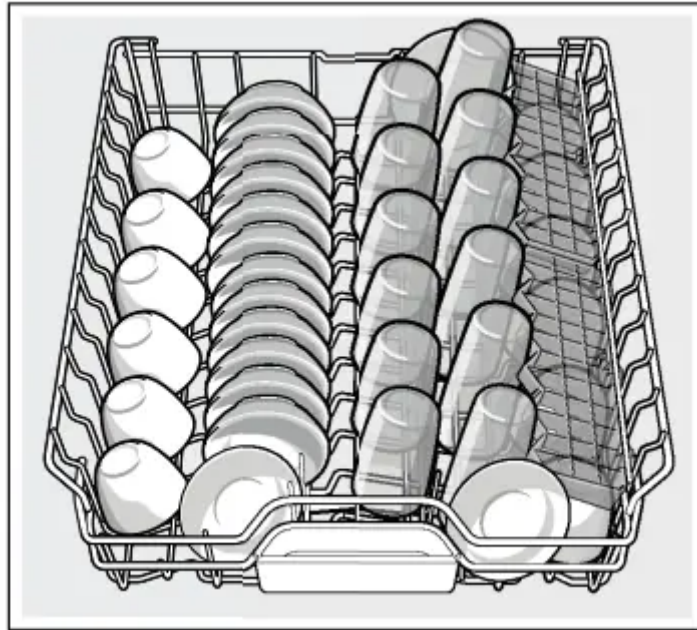
For daily, regular or typical use

#### 12 place setting

Lower rack 30

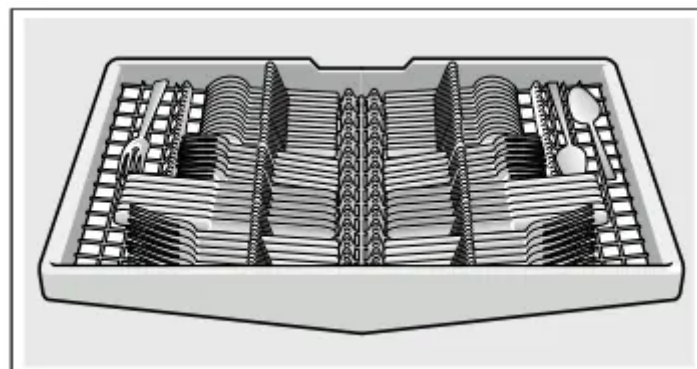


Upper rack 22



**Note:** Folding the cup shelves down will allow the cups to sit at an increased angle and reduce water pooling on cup bottoms

**Third rack 21**

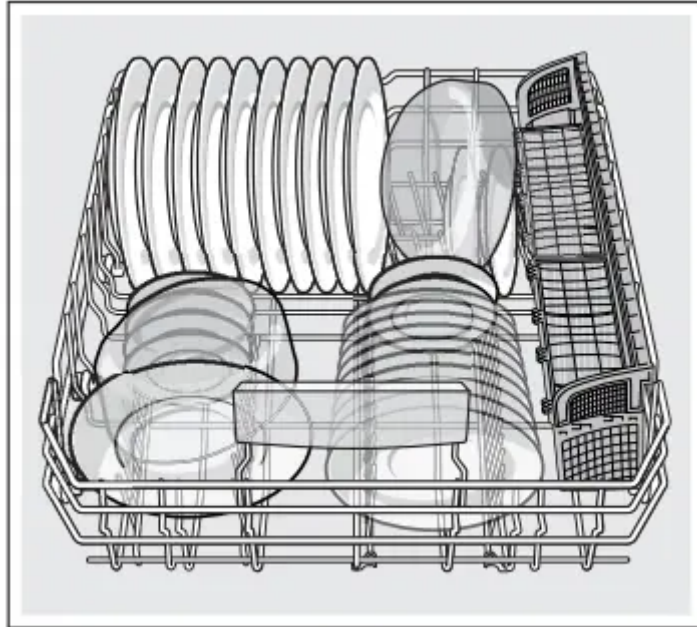


**Additional loading pattern**

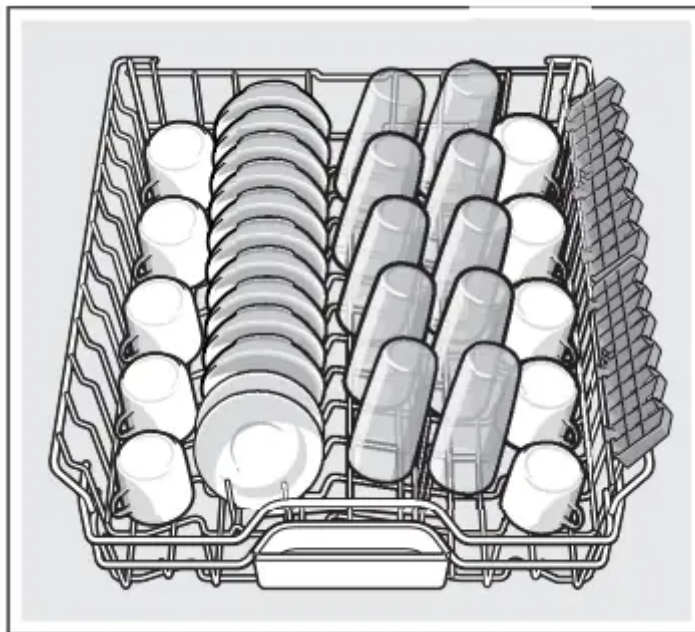
10 place setting

**Lower rack 30**



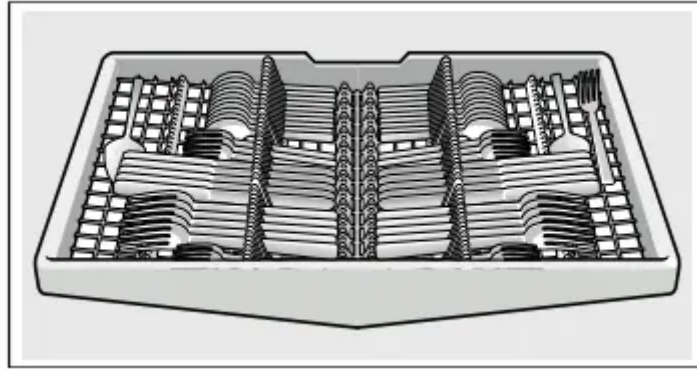


**Upper rack 22**



**Note:** Folding the cup shelves down will allow the cups to sit at an increased angle and reduce water pooling on cup bottoms.

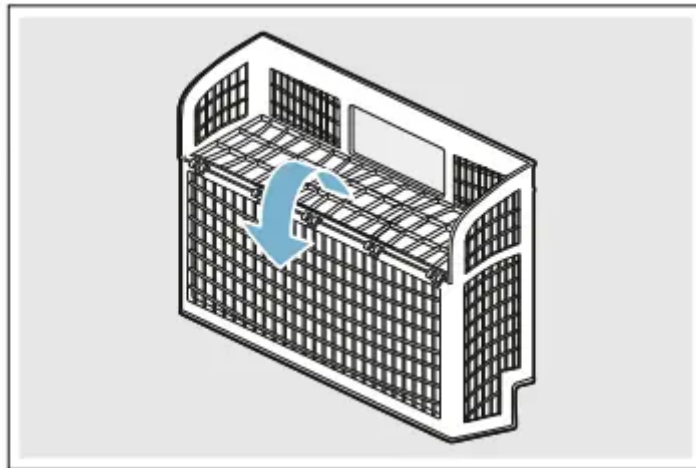
**Third rack 21**



### Loading the silverware basket

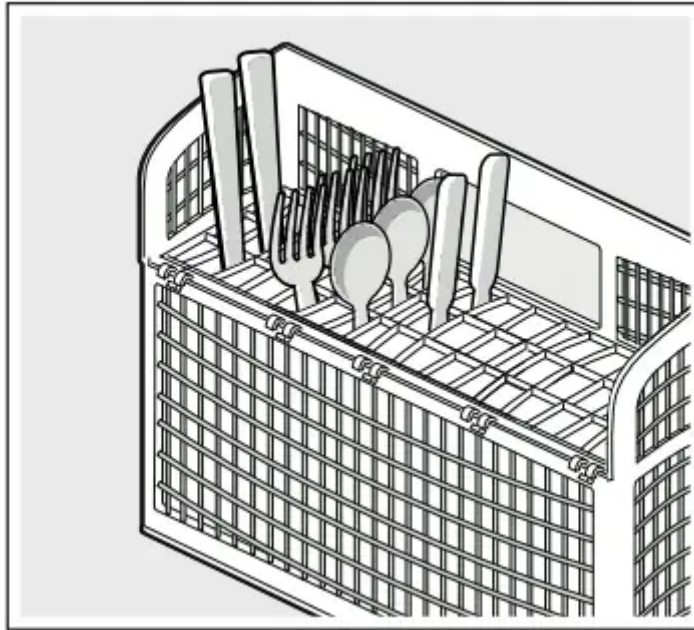
Place knives and sharp utensils with their handles up and forks and spoons with their handles down. If large or oddly-shaped items are loaded in the silverware basket, be sure they do not nest together

### Long silverware basket



**Note:** The silverware basket lid may also be folded downward in order to leave the basket open.

This dishwasher is equipped with a silverware drawer that should accommodate most silverware loading needs. However, if you are washing while the silverware drawer has been removed, or with excess silverware, a silverware basket is also included. When loading the silverware basket you should avoid excessive contact points and nesting of similar items (allowing two spoons to rest inside one another). A good way to avoid excessive contact points is to load the silverware basket with the lids closed, inserting each piece of silverware into one of the individual slots as shown.



### **Unloading the dishwasher**

When unloading the dishwasher, to prevent water from dripping onto dry dishes, unload the lower rack **30** first. Next, unload the silverware basket **29** followed by the upper rack **22**, and then the third rack (if equipped).

**Note:** Dishes are more likely to chip when unloading before cooling.

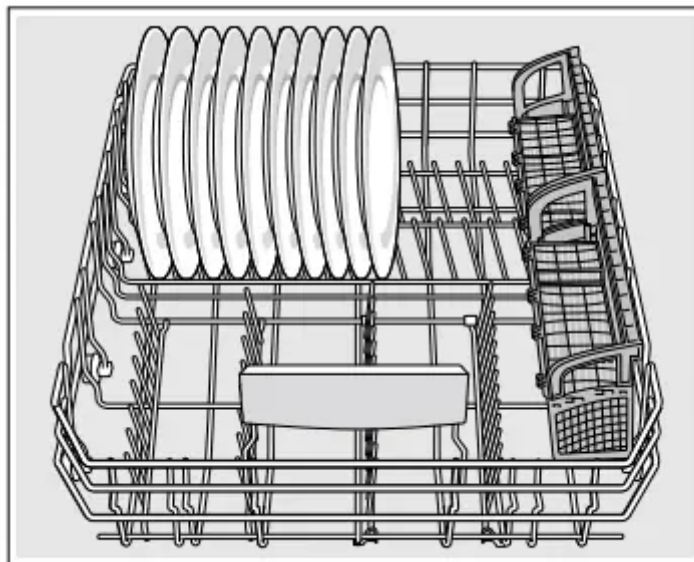
### **Adjusting the height of the rack**

If required, the height of the upper rack **22** can be adjusted to create more space for taller utensils either in the upper or lower rack.

With silverware basket	Upper rack	Lower rack
Setting 1 max. ø	9.4 in (24 cm)	13.4 in (34 cm)
Setting 2 max. ø	10.4 in (26.5 cm)	12 in (30.5 cm)
Setting 3 max. ø	11.4 in (29 cm)	11 in (28 cm)

With third rack	Upper rack	Lower rack
Setting 1 max. ø	7 in (18 cm)	13.4 in (34 cm)
Setting 2 max. ø	8 in (20.5 cm)	12 in (30.5 cm)
Setting 3 max. ø	9 in (23 cm)	11 in (28 cm)

Arrange large plates up to a diameter of 13.4 in (34 cm) in the lower basket **30** as illustrated

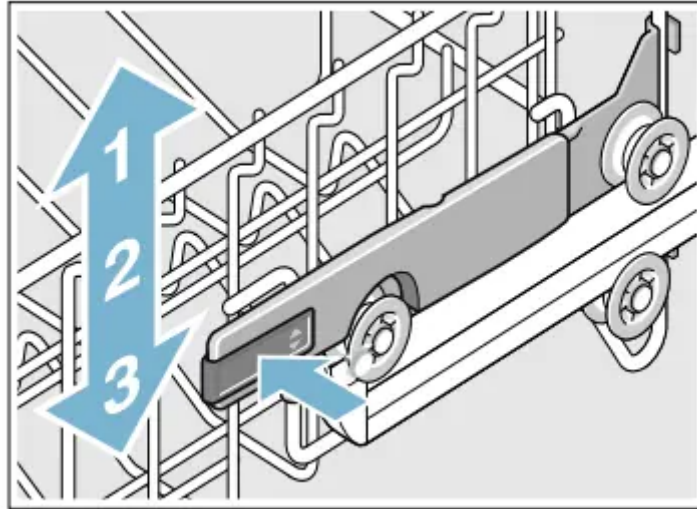


### RackMatic®

The height of the upper rack **22** can be adjusted in 3 steps to create more space.

1. Pull the upper rack out of the dishwasher until it stops.

2. To lower the rack, push the RackMatic® lever inward.
3. To raise the rack, hold the basket on the sides of the upper rack and lift it up



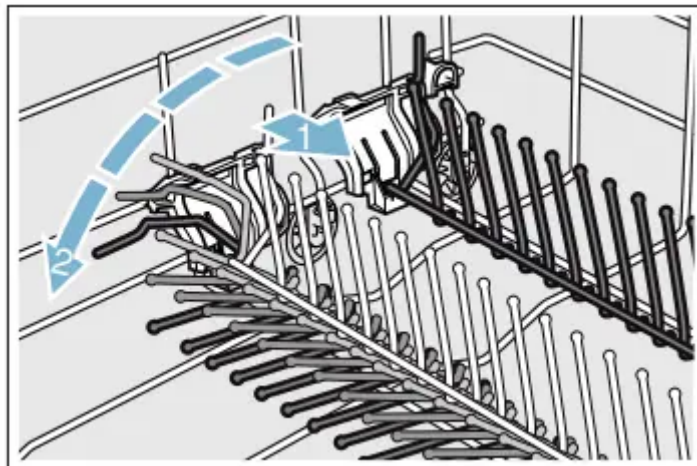
**Note:** Check spray arm for clearance after adjustment.

## Rack accessories

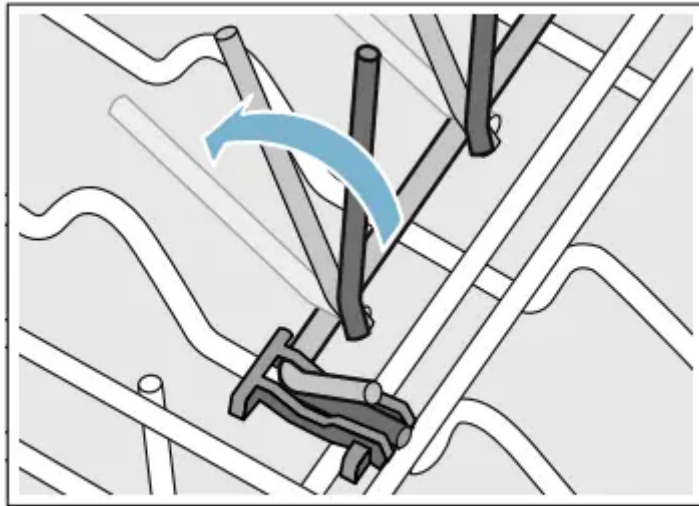
### Flip tines

The upper and lower rack are fitted with flip tines that can be folded down depending on what you may need to load in the rack.

Lower rack flip tines: To fold down, pull flip tine gently forward and release it from the notch. Push the flip tine downward. To fold up, push flip tines into an upright position until the holder engages in the notch

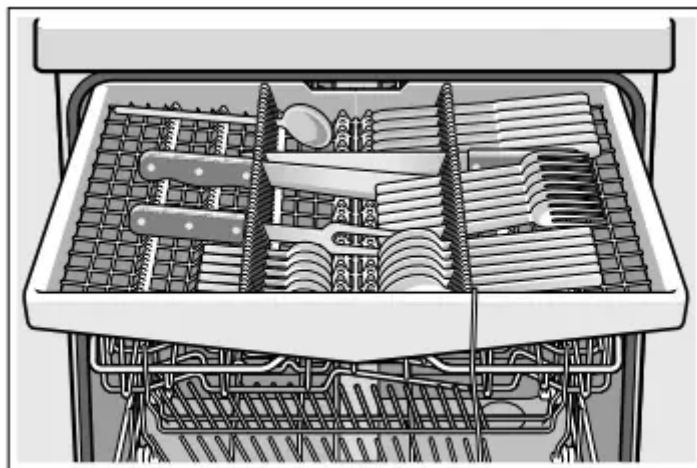


Upper rack flip tines: To fold down, push flip tines downward with gentle pressure. To fold up, push flip tines into an upright position until the holder engages in the notch.



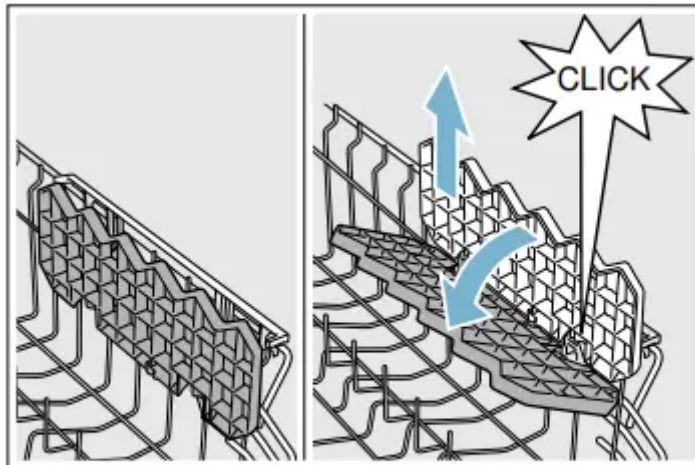
### Third rack

The third rack **21** horizontally positions knives, spatulas and other oversized tools for improved cleaning and easier loading and unloading. Arrange cutlery in third rack as illustrated.

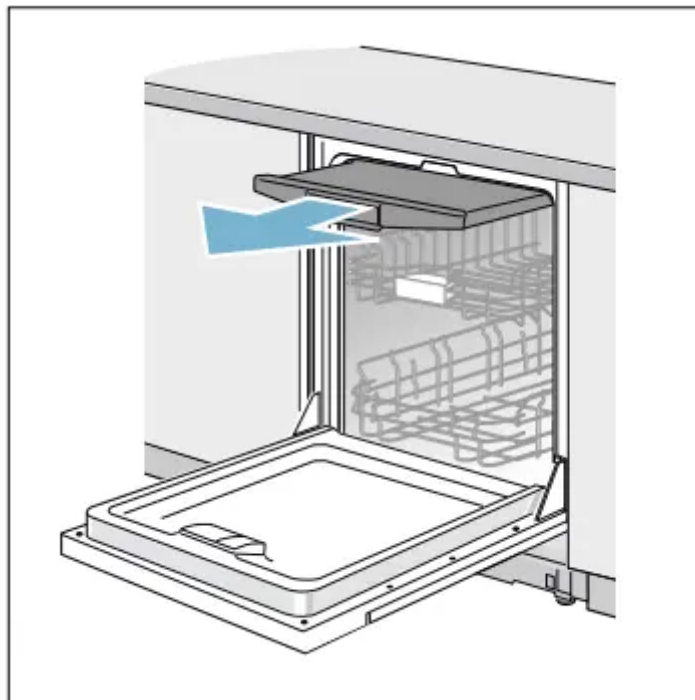


### Cup shelves

The cup shelves and the space underneath them can be used for small cups or for larger serving utensils.

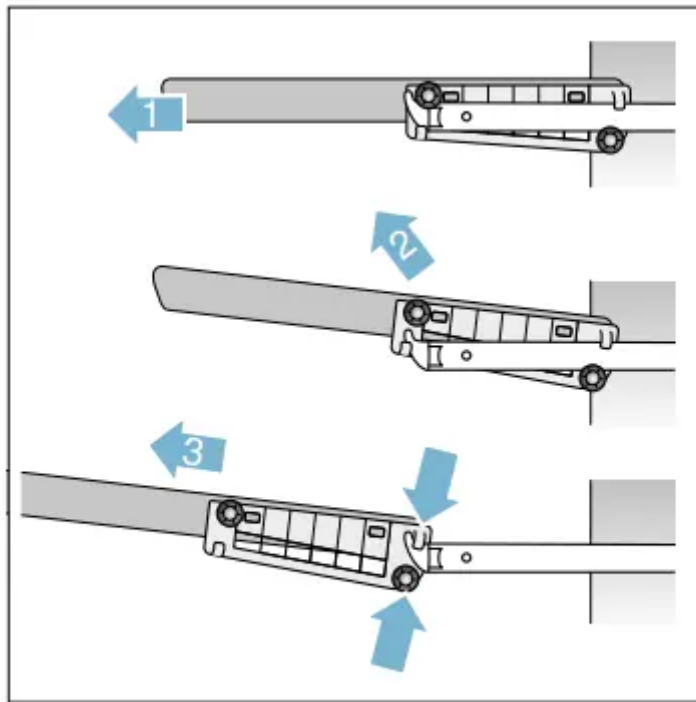


### Removing/Installing third rack



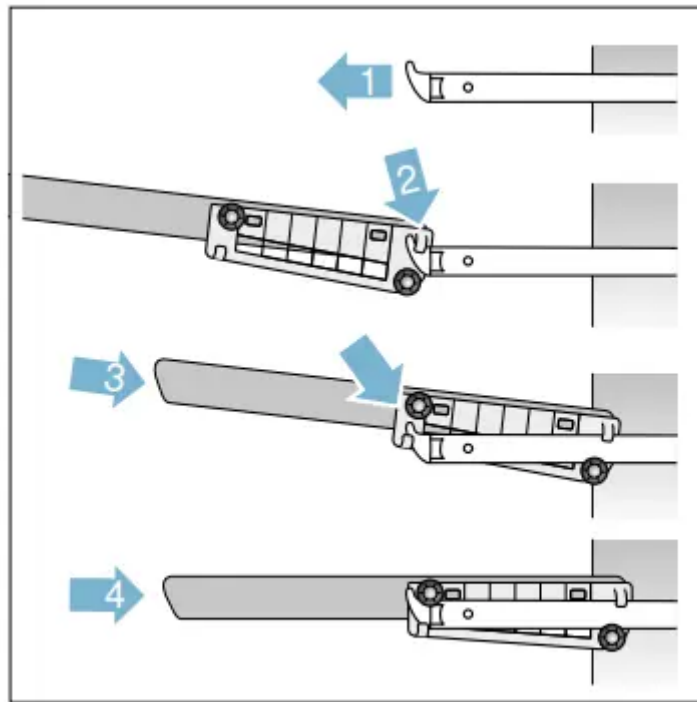
#### Removing third rack 21

1. Pull out third rack all the way (1).
2. Lift upper rollers over the stopper hooks of both rails (2).
3. Pull third rack out forward and upward so the the holding hooks and the lower rollers of the rack slide over the stopper hooks of both rails (3).

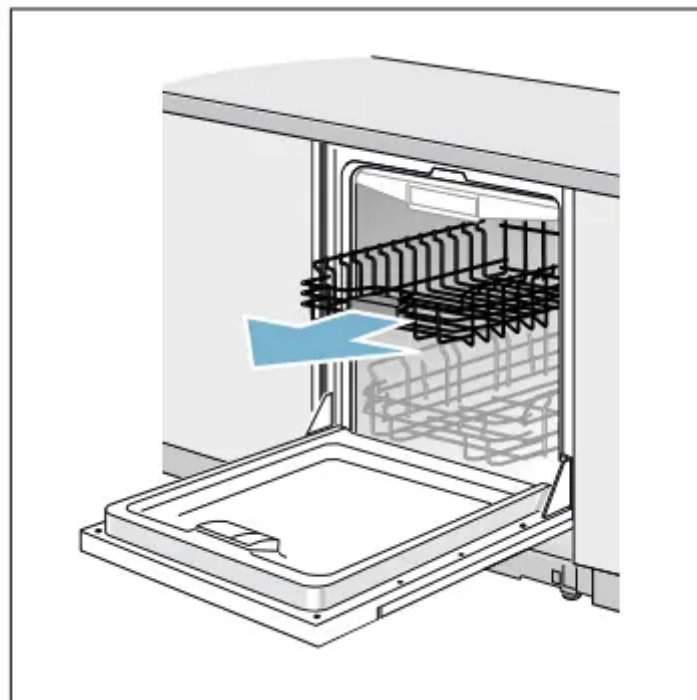


### Installing third rack 21

1. Pull out third rack rails all the way (1).
2. Insert third rack at an angle. Make sure that the stopper hooks of both rails slide in between the holding hooks and the lower rollers of the third rack (2).
3. Slide third rack in and lift the upper rollers over the front stopper hooks of both rails (3).
4. Push in third rack (4).

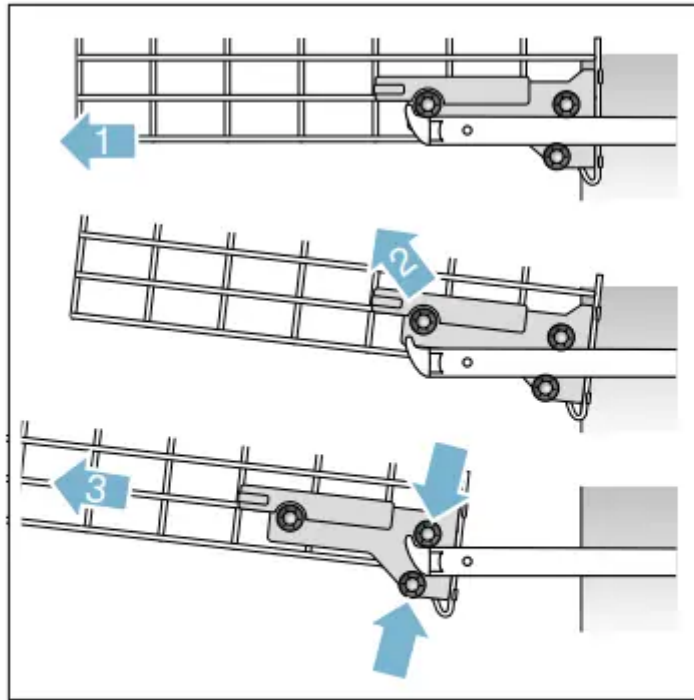


### Removing/Installing upper rack with Rackmatic®



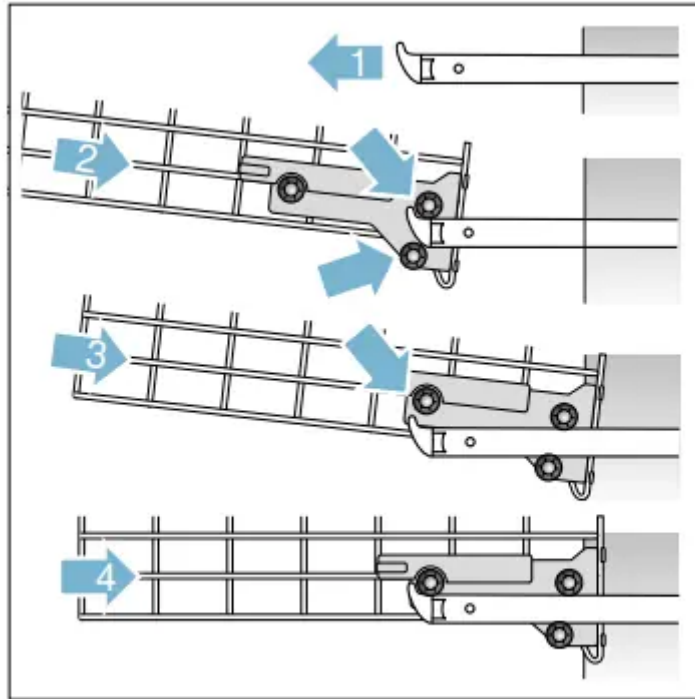
#### Removing upper rack 22

1. Pull out upper rack all the way (1).
2. Lift front rollers over the stopper hook of the rail (2).
3. Pull out upper rack forwards and upwards so that the upper and lower rollers of the rack slide over the stopper hooks of both rails (3).



### Installing upper rack 22

1. Pull out upper rack rails all the way (1).
2. Insert upper rack at an angle. Make sure that the stopper hooks of both rails slide in between the upper and lower rollers on the rear side of the rack (2).
3. Slide upper rack in and lift the upper rollers over the front stopper hooks of both rails (3).
4. Push in upper rack (4).



## Detergent

Use only detergent specifically designed for dishwashers. For best results, use fresh powdered dishwashing detergent or detergent tabs.

**NOTICE** - To avoid dishwasher damage:

- Do not use hand dishwashing products in your dishwasher.
- Do not use too much detergent if your water is soft. Using too much detergent with soft water may cause etching in glassware and fine china.

This dishwasher uses less water than most, therefore, less detergent is required. With soft water, 1 tablespoon (15 ml) of detergent will clean most loads. The detergent dispenser cup has lines that measure detergent to 1 tablespoon (15 ml) and 1.75 tablespoons (25 ml). 3 tablespoons (45 ml) of detergent will completely fill the detergent dispenser.

**Note:** If you do not know the hardness of your water supply, use 15 ml of detergent. Increase the amount if necessary to the least amount required to get your kitchenware clean.

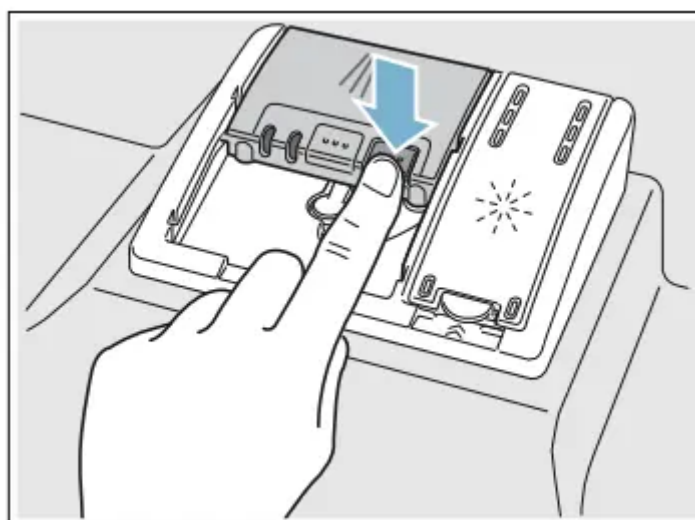
Use the measuring lines in the detergent dispenser cup as a guide to measure the amount of detergent recommended in the following table.

Wash Cycle	Hard Water/ Heavy Soil	Medium Water/ Medium Soil	Soft Water/ Little Soil
Heavy	3 tbsp (45 ml)	3 tbsp (45 ml)	1.75 - 3 tbsp (25 - 45 ml)
Auto	1.75 - 3 tbsp (25 - 45 ml)	1.75 tbsp (25 ml)	1 - 1.75 tbsp (15 - 25 ml)
Normal	1.75 - 3 tbsp (25 - 45 ml)	1.75 tbsp (25 ml)	1 - 1.75 tbsp (15 - 25 ml)
Speed60®	1.75 tbsp (25 ml)	1 - 1.75 tbsp (15 - 25 ml)	1 tbsp (15 ml)
Rinse	none	none	none

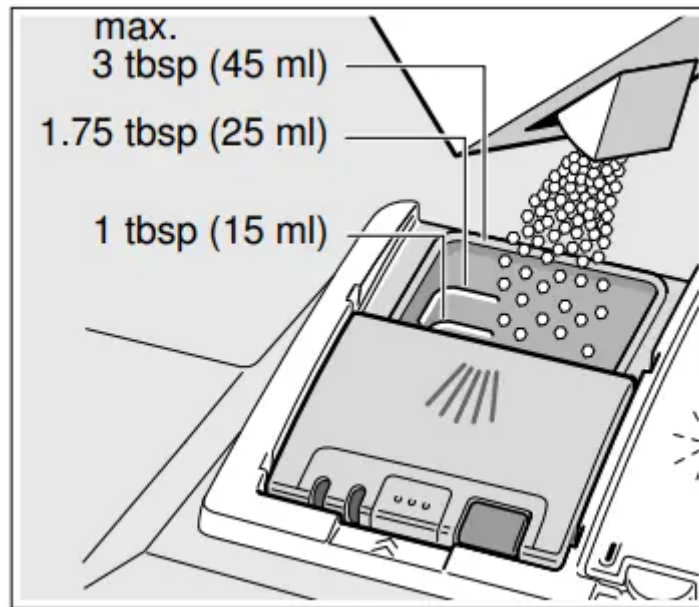
### Adding detergent

1. If the detergent dispenser **32** is still closed, actuate the locking bar **33** to open it.

**Note:** Make sure the detergent dispenser is dry and clear of detergent residue

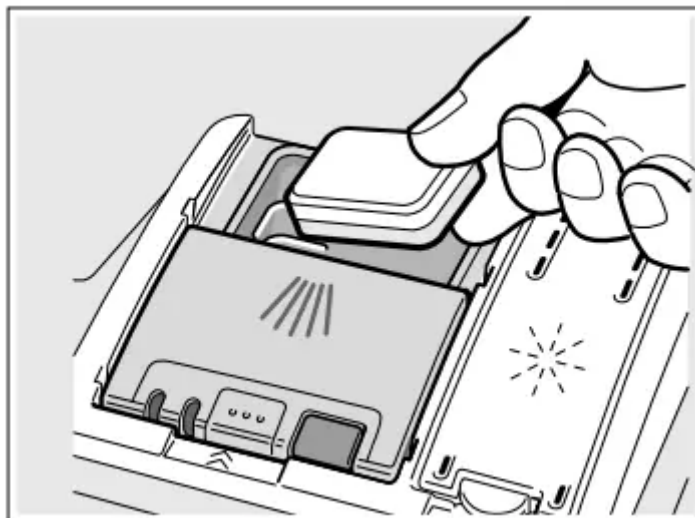


2. Pour detergent into the dry detergent dispenser **32** only. Add detergent. Do not overfill the detergent dispenser.



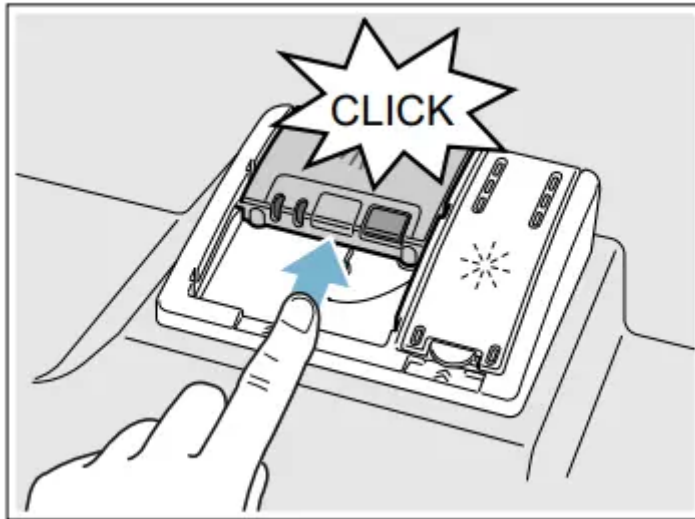
When using detergent tabs, lay them such that they do not come in contact with the cover, insert a detergent tab flat, not on its side.

**Note:** Do not place detergent tabs or utensils in the detergent tab tray **24**. Place tabs or other detergent forms directly in the detergent dispenser **32**.



Dosage: see manufacturer's instructions on the packaging.

**3.** Close the lid by placing the finger on the lid as shown. Slide the lid closed and press down firmly until it clicks



The detergent dispenser will open automatically at the ideal time for the set cycle. The powder or liquid detergent is distributed in the appliance and is dissolved, detergent tabs will fall into the detergent tab tray **24** where it dissolves during the cycle.

**Tip:** If the dishware is only lightly soiled, slightly less than the indicated amount of detergent is usually adequate.

## Dishwasher Cycles

Wash cycle	Recommended use	Possible wash cycle option
<b>Heavy</b>	Best for cleaning items with baked-on food or grease. These dishes would normally require soaking or hand scouring.	all
<b>Auto</b>	Smartest cycle, with most flexible soil sensing, which is ideal for mixed dishware and food soils.	all
<b>Normal</b> (see note at bottom of table)	Recommended for daily, regular or typical use to completely wash a full load of normally soiled dishes.	all <b>Note:</b> In order to obtain optimal performance with minimum energy consumption, it is recommended to disable all available options and settings, except <b>Auto Power Off</b> - set to <b>P:0 1</b> → "Auto power off" on page 27
<b>Speed60®</b>	Cleans freshly soiled dishes with easy to remove soils. This cycle reduces cycle time while still including drying.	<b>Delay</b> <b>Extra Dry®</b>
<b>Rinse</b>	Use this cycle if you need to pre-rinse dishes to avoid odors. Place unrinsed dishes inside the dishwasher and select the <b>Rinse</b> cycle. Uses less water than hand rinsing and very low energy.	<b>Delay</b>

**Note:** The Energy Guide label was based on the Normal soil sensing cycle as follows: The unit was tested without any rinse aid (liquid) in the rinse aid dispenser **31**. A single dose of detergent was inserted into the detergent dispenser **32**, with no detergent being used in the prewash. The unit was not subjected to truncated testing per the definitions in the test procedure. We recommend that dish loads such as the one in the energy certification test have the rack position set in the highest position

## Dishwasher Cycle Options

### Delay

Allows you to delay the start time of your dishwasher up to 24 hours.

### Half Load

Can reduce water consumption when washing small, lightly soiled loads that fill approximately half of the dishwasher's capacity.

### Sanitize

Increases the temperatures and retains them for an extra long time to obtain a defined disinfecting performance. Continuous use of this function increases the hygiene status. This additional option is ideal for cleaning items such as chopping boards and baby bottles. Using the Sanitize option may also improve drying. The cycle time and energy usage may be increased.

### Extra Dry

Used in combination with a wash cycle (except Rinse), the Extra Dry option raises the temperature and extends the drying time to further enhance drying results and provide a brilliant shine. The energy usage may be increased.

### Wash Cycle Information

To save energy, this dishwasher has EcoSense where the sensors in the dishwasher automatically adjust the cycle length, temperature and water changes based on the amount of food soil and the incoming water temperature. The “Smart Control” makes decisions that can cause the cycle time and water usage to adjust intermittently. **Wash cycle times are based on 120°F (49° C) water supply.** If your household water supply is different than 120°F (49° C), your dishwasher’s cycle times may be impacted

	Heavy	Auto	Normal	Speed60®	Rinse
Cycle time min.	110 - 135	105 - 129	130 - 135	60	9
Water usage gal/L	4.9-6.4/ 18.6-24.2	3.4-6.4/ 12.9-24.1	2.3-5.5/ 8.8-21.0	3.8/ 14.3	1.1/ 4.1
Wash temp. °F/°C	151-160/ 66-71	127-131/ 53-55	113-131/ 45-55	122/ 50	in-coming
Rinse temp. °F/°C	162/ 72	153-162/ 67-72	156/ 69	158/ 70	in-coming
<b>Half Load</b>					
Cycle time min.	114	90-105	90-99	N/A	N/A
Water usage gal/L	4.7/ 17.9	2.7-4.4/ 10.2-16.5	2.8-3.7/ 10.8-13.9	N/A	N/A
Rinse temp. °F/°C	162/ 72	131-151 55-60	162/ 72	N/A	N/A



	Heavy	Auto	Normal	Speed60®	Rinse
<b>Sanitize</b>					
Cycle time min.	130-150	125-150	135-155	N/A	N/A
Water usage gal/L	4.9-6.4/ 18.6-24.2	3.4-6.4/ 12.9-24.1	2.3-5.5/ 8.8-21.0	N/A	N/A
Rinse temp. °F/°C	162/ 72	162/ 72	162/ 72	N/A	N/A
<b>Extra Dry</b>					
Cycle time min.	130-150	125-150	135-155	60	N/A
Water usage gal/L	4.9-6.4/ 18.6-24.2	3.5-6.5/ 13.1-24.5	2.4-5.5/ 8.8-20.8	3.8/ 14.3	N/A
Rinse temp. °F/°C	162/ 72	162/ 72	162/ 72	158/ 60	N/A

Note: Only sanitizing cycles have been designed to meet the requirements of Section 6 of the NSF/ANSI Standard for Residential Equipment for soil removal and sanitization efficacy. There is no intention, either directly or indirectly, to imply that all cycles have passed sanitization performance tests

## Operating the Dishwasher

**Note:** With hidden controls, the door must be opened before changing settings and closed after changing settings.

### Protection against unintentional operation

Your dishwasher is equipped with a function that helps to prevent unintentional operation (e.g. by children).

After setting the dishwasher, the dishwasher door has to be closed within 4 seconds, otherwise the operation will be paused. There will be a signal on the control panel advising you to press the Start button again and close the door. This function will be activated when:

- pressing Start to begin a wash cycle
- setting Delay time and pressing Start
- opening the door while Delay time is active
- opening the door during a wash cycle.

**Note:** This function cannot be deactivated

### AquaSensor

The AquaSensor is an optical measuring device which measures the cleanliness of the rinse water.

The AquaSensor is used according to the wash cycle. If the AquaSensor is active, “clean” rinse water can be transferred to the next rinse and water consumption can be reduced by 0.8–1.5 gal (3–6 liters). If the rinse water is not yet clear, the water is drained and is replaced with fresh water. In the automatic wash cycles the temperature and running time can also be adjusted to the degree of soiling

### Switching the appliance on

1. Turn the water supply on fully.
2. Press the **On/Off** button **1** The AUTO wash cycle has been preset as a default whenever the appliance starts. This wash cycle remains selected if no other wash cycle button **2** is pressed. Select any desired option.
3. Press **Start** button **6**. Wash cycle sequence starts.

**Note:** Your dishwasher is protected against unintentional operation. If the appliance door remains open for more than 4 seconds after pressing the Start button, the operation will be paused. Close the appliance door and press the Start button **6** again.

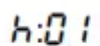
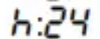
### Time display

When a wash cycle is selected the remaining wash cycle time is shown on the display **3**.

The wash cycle time is determined during the wash cycle by the water temperature, the amount of dishes, as well as the degree of soiling and may vary (depending on the selected wash cycle).

### Delay Start

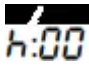
You can delay the start of the cycle in one hour increments up to 24 hours.

 1 hour delay  
 24 hours delay

To set Delay start:

1. Open the door and press the **On/Off** button **1** Select a cycle.
2. Press the **Delay** button from the wash cycle options **5** until the displayed time corresponds with your requirements.
3. Press the **Start** button **6** to activate Delay start.

To cancel Delay start:

1. Open the door and press the **Delay** button until  is indicated on the digital display **3**.
2. Press the **Start** button **6** to save setting.

**Note:** Your dishwasher is protected against unintentional operation. If the appliance door remains open for more than 4 seconds after pressing the Start button, the operation will be paused. Press the Start button again and close the appliance door.

### Wash cycle end

The wash cycle has ended when the display **3** reads **0:00**.

If the signal tone has been set, the wash cycle end is also indicated by a buzzer.

<b>b:00</b>	Off
<b>b:01</b>	low
<b>b:02</b>	medium
<b>b:03</b>	loud

### To change the signal volume:

1. Open the door.
2. Press the **On/Off** button **1**.
3. Hold down function key **A** and press **Start** button **6** until the display **3** indicates **d:0x** (x can be any number). Release both buttons.
4. Press function key **A** until the display shows **b:02**.
5. Press function key **C**. Each time the button is pressed the set value increases by one level; when it reaches the value **b:03** the display jumps back to **b:00** (off).
6. Press **Start** button 6 to save the setting.

### Auto power off

This setting determines the length of time the control panel stays illuminated after the cycle is complete. To save energy the recommended setting is **P:01**.

This setting can be adjusted from **P:00** to **P:02**.

<b>P:00</b>	dishwasher does not turn off automatically
<b>P:01</b>	dishwasher turns off automatically after 1 minute
<b>P:02</b>	dishwasher turns off automatically after 120 minutes (2 hours)

To change the setting:

1. Press the **On/Off** button **1**.
2. Hold down the function key **A** and press the **Start** button **6** until the display **3** indicates **d:0x** (x can be any number).

3. Release both buttons.
4. Press the function key **A** until the display **3** indicates **P:0x**.
5. Press the function key **C** until the display corresponds with your requirements.
6. Press the **Start** button **6**.

### Switching off the appliance

Short time after the end of the wash cycle:

1. Open the door.
2. Switch off **On/Off** button **1**.
3. Turn off water supply.
4. Remove the utensils when they have cooled down.

### Interrupting the wash cycle

1. Open the door.
2. Switch off On/Off switch 1. The LED's go out. The wash cycle is saved.
3. To continue the wash cycle, switch on the On/Off switch 1 again.
4. Close the door

**Note:** Your dishwasher is protected against unintentional operation. If the appliance door remains open for more than 4 seconds after pressing the Start button, the operation will be paused. Press the Start button again and close the appliance door.

### Terminating the wash cycle (Reset)

1. Press and hold **Start** button **6** for approximately 3 seconds until the display reads **0:01**.
2. Wait about 1 minute while the dishwasher drains.
3. Press **On/Off** button **1**. You may now power the dishwasher back on and begin a new cycle if desired.

### Changing the wash cycle

When the **Start** button **1** has been pressed, the wash cycle cannot be changed. The only way a wash cycle can be changed is by terminating the wash cycle (Reset).

## Care and Maintenance

A regular inspection and maintenance of your machine will help to prevent faults. This saves time and prevents future problems.

### Overall condition of the dishwasher

## NOTICE

- Never use a steam cleaner to clean your dishwasher. The manufacturer is not liable for any resulting damage.
- Regularly wipe the front of the appliance with a damp cloth - water and a small amount of liquid soap is adequate. Do not use sponges as they could scratch the surfaces.
- Do not use bleach-based wipes as they could damage the surface or printing.
- Stainless steel appliances: To prevent corrosion, do not use sponges or chlorine based cleaners. Use a stainless steel polish to seal and protect the surface. Do not use chlorine based cleaners or wipes.
- Clean the outer edges of the inside door panel regularly to remove debris that may collect from normal loading. If spots begin to appear on the stainless steel, make sure the rinse agent is full and functioning properly.
- Clean the door seal regularly with a damp cloth to remove food particles that may collect from normal loading and cause odor. A soiled door seal may not seal properly.

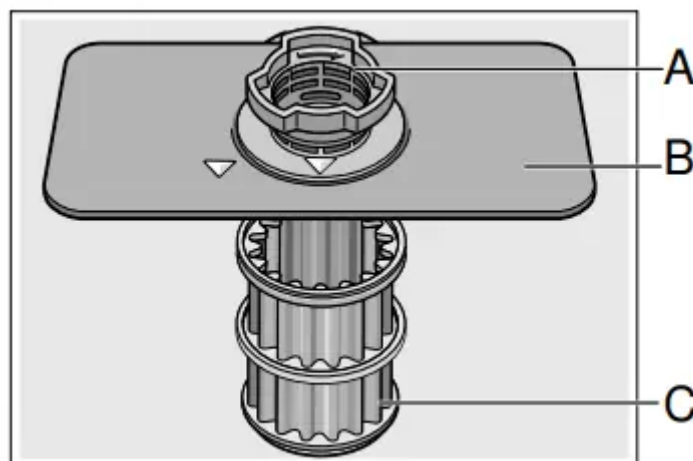
## Filters

The Bosch® filter system **28** is designed to prevent the need to pre-rinse normally attached food soils from your dishes. Simply scrape leftover food soils off of dishware before loading. This process will conserve time, water and the energy require to heat your household water supply.

Your dishwasher filter system is designed to filter 100% of the water entering the spray arms to provide a continuous supply of clean water to remove food soils from your dishware.

### Filter components

The filter system **28** consists of three parts.



**A Large Object Trap** - Prevents objects that should not be placed in your dishwasher from damaging the dishwasher pump system or clogging your household drain.

**B Flat Fine Filter** - Prevents food particles from entering the wash chamber and directs particles toward the micro filter.

**C Micro Filter** - Directs the smallest of particles to the household plumbing drain.

### Cleaning intervals

The filter system **28** is designed to minimize maintenance while providing premium cleaning performance and minimum energy consumption.

Depending on use habits and water hardness, the filter system will require some maintenance to sustain premium cleaning performance.

Your filter system may need to be cleaned when:

- You notice food soils remaining on the filter system or objects trapped in the Large Object Trap.
- A drop in cleaning performance or a gritty film forms on the dishware.

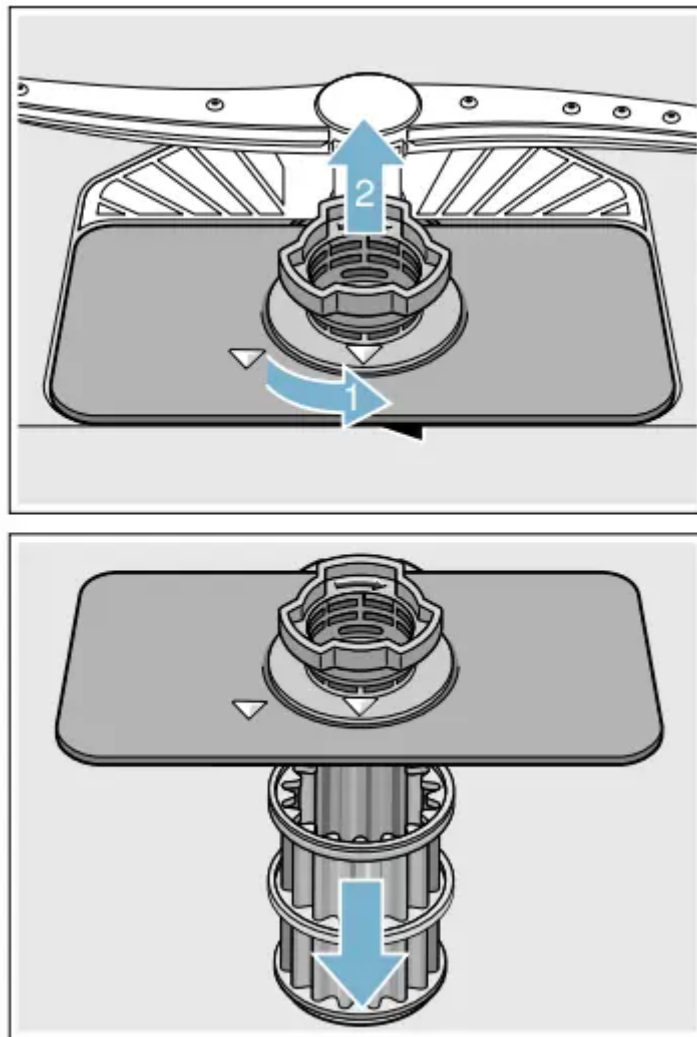
When washing normally attached food soils that have been scraped before loading, in a household that runs the dishwasher every other day, your filter should be cleaned:

Cleaning interval	Use this setting,
3-6 times a year	if you rinse before loading
4-12 times a year	if you only scrape before loading
12 times a year	if you have hard water

**Note:** Clean the filter after washing loads with large amounts of food soils or loads with a heavy starch content, like potatoes and pasta, to maintain optimal performance.

### To check or clean the filter system:

1. Unscrew the Large Object Trap as illustrated and remove the entire filter system.



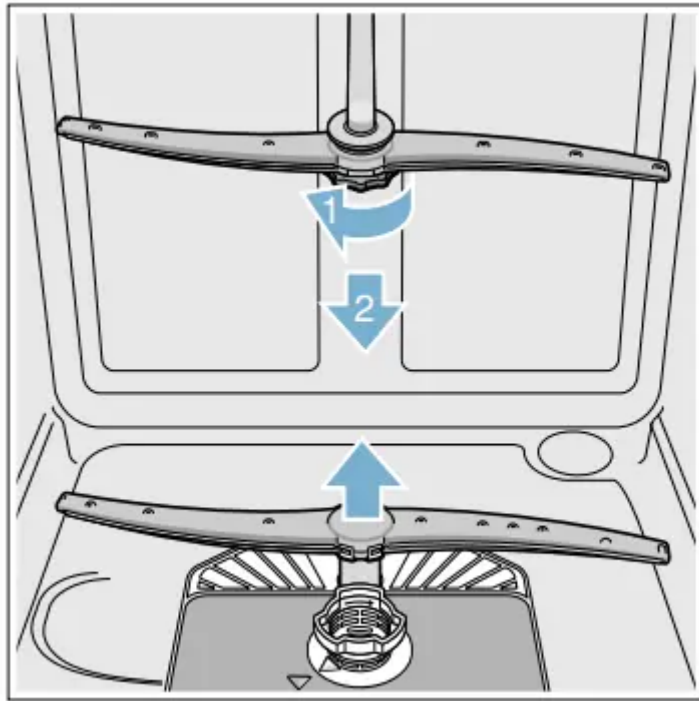
**2.** Remove any residue and clean filters by rinsing under running water. Note: do not use abrasive brushes or steel wool, etc., as they may damage the filter.

**3.** Reinstall the filter system in reverse sequence and lock into place by screwing the Large Object Trap until the marking arrows align.

### Spray arms

Check spray arms **23**, **26** for grease and limescale deposits. If you find such deposits:

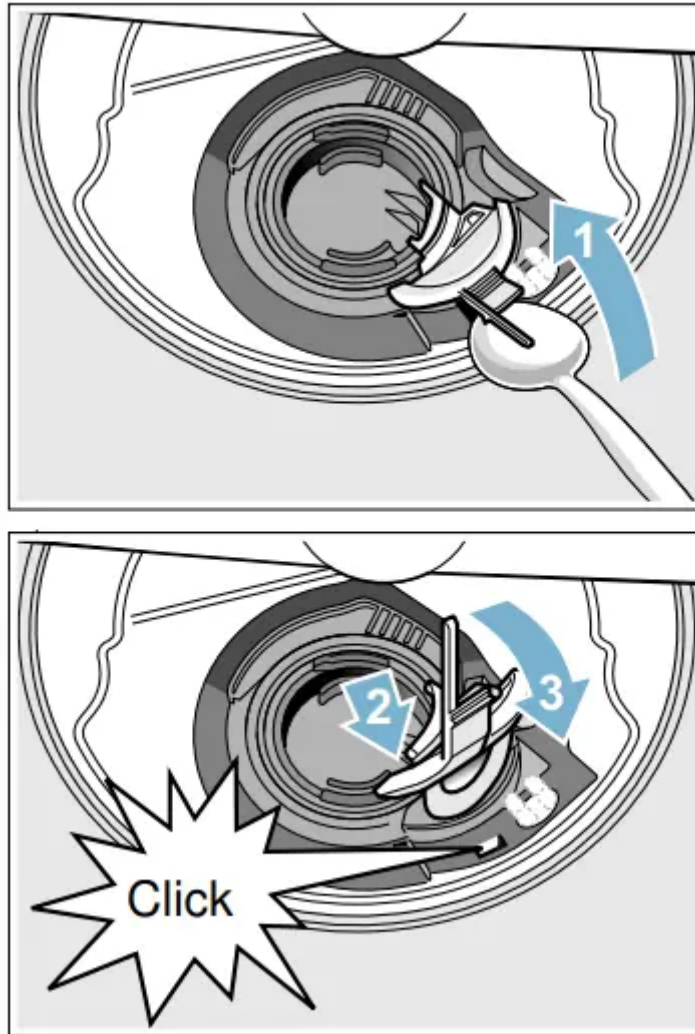
- Fill detergent dispenser **32** with detergent and start the appliance without utensils in the cycle with the highest rinsing temperature. ~ See “Wash Cycle Information”
- Clean the appliance with detergents/appliance cleaners which are particularly suitable for use with dishwashers.
- Unscrew the upper spray arm **23**: and pull off the lower spray **26** arm as shown. Inspect for deposits.



### Drain pump

Large food remnants in the rinsing water not retained by the filters may block the waste water pump. In this case:

- Disconnect the appliance from the power supply.
- Remove the filters. ~ See “Filters”
- Scoop out standing water - use a sponge if necessary.
- Using a spoon, pry off the pump cover until it clicks, then grip the cover and pull upward until it resists and then pull forward.



- Check inner compartment and remove any foreign objects
- Place cover in the original position, press down and engage.
- Reinstall filters.

**Note:** The drain pump will not work properly if the drain pump cover is not snapped in completely until it clicks.

### Preparing your unit for vacation

**NOTICE:** Before leaving for vacation during warmer weather, besides turning off the main valve, also turn off water supply at the nearest point to the dishwasher. Do not leave soiled dishware in unit and leave door slightly open. During colder weather, please follow the instructions for winterizing your unit below.

### Winterizing your unit

**NOTICE:** If your dishwasher will be unused for a period of time in a location that experiences freezing temperatures (holiday home or through a vacation period), have your dishwasher winterized by a professional service.

## Troubleshooting

Problem	Cause	Action
Dishwasher does not start	<ul style="list-style-type: none"> <li>• Door may not be properly latched.</li> <li>• Dishwasher may not be turned on.</li> <li>• Dishwasher not reset or previous cycle not completed.</li> <li>• Delay start engaged</li> <li>• Interruption of electrical power supply to dishwasher or blown fuse.</li> <li>• The door may have been closed without first selecting a cycle.</li> <li>• Water supply may not be turned on.</li> </ul>	<ul style="list-style-type: none"> <li>• Shut the door completely until you hear a click.</li> <li>• Press the main power switch <b>1</b> to turn dishwasher on.</li> <li>• Reset the dishwasher.</li> <li>• Reset Delay start. ~ See “Delay Start”</li> <li>• Check circuit breaker</li> <li>• Select a cycle and close the door</li> <li>• Check and turn on water supply.</li> </ul>
Cycle does not resume after door is opened and closed during cycle.	<ul style="list-style-type: none"> <li>• Door is opened longer than 4 seconds after a cycle has started.</li> </ul>	<ul style="list-style-type: none"> <li>• Press <b>Start</b> button again to resume cycle.</li> </ul>
Display does not illuminate	<ul style="list-style-type: none"> <li>• A fuse may have been blown or</li> </ul>	<ul style="list-style-type: none"> <li>• Check the fuse or circuit breaker box and replace the fuse or reset the breaker if necessary.</li> </ul>



	<p>circuit breaker tripped.</p> <ul style="list-style-type: none"><li>• Door not closed or latched. <b>Note:</b> For models with controls on top of the door, the display only illuminates when the door is opened and controls are visible.</li></ul>	<ul style="list-style-type: none"><li>• Ensure door is properly latched and completely closed.</li></ul>
--	--	--



<p>Dishwasher seems to run a long time</p>	<ul style="list-style-type: none"> <li>• Incoming water is not warm enough</li> <li>• Cycle time can vary due to soil and water conditions.</li> <li>• Rinse aid dispenser <b>31</b> is empty, or rinse aid setting has been set to "0".</li> <li>• Dishwasher connected to cold water supply. <b>Note:</b> Check the typical wash cycle length. ~ See "Wash Cycle Information"</li> </ul>	<ul style="list-style-type: none"> <li>• Before starting a cycle, run hot water faucet at the sink closest to the dishwasher.</li> <li>• Sensors in the dishwasher automatically increase the cycle time to ensure a good wash when heavy soil is detected.</li> <li>• Add rinse aid, or change rinse aid setting</li> <li>• Verify dishwasher is connected to hot water supply plumbing</li> </ul>
<p>Dishes are not getting clean enough</p>	<ul style="list-style-type: none"> <li>• Spray arm movement obstructed.</li> <li>• Spray arm nozzles clogged.</li> <li>• Improper use of detergents.</li> <li>• Filters <b>28</b> could be clogged</li> <li>• Dishes are nested or loaded too</li> </ul>	<ul style="list-style-type: none"> <li>• Ensure that spray arm movement is not blocked by hand rotating spray arms <b>23, 26</b> before starting cycle</li> <li>• Remove spray arms <b>23, 26</b> and clean them. ~ See "Spray arms"1</li> <li>• Increase or decrease detergent depending on the water hardness.</li> <li>• Clean the filters <b>28</b>. ~ See "Filter components"</li> </ul>



	<p>closely together</p> <ul style="list-style-type: none"> <li>• Selected wash cycle is not suitable for food soil conditions.</li> </ul>	<ul style="list-style-type: none"> <li>• Rearrange load such that water spray can reach all items in the dishwasher. ~ See "Loading the Dishwasher"</li> <li>• Refer to Wash Cycle Information. ~ See "Wash Cycle Information"</li> </ul>
<p>Streaks on glassware or residue on the dishes</p>	<ul style="list-style-type: none"> <li>• Incorrect rinse aid setting.</li> </ul>	<ul style="list-style-type: none"> <li>• Depending on the hardness of water, adjust the rinse agent dispenser <b>31</b> ~ See "Rinse Aid"</li> </ul>
<p>Dishes are not getting dry enough <b>Note:</b> Plastic or Teflon do not typically dry as well as other items due to their inherent properties.</p>	<ul style="list-style-type: none"> <li>• Rinse aid dispenser <b>31</b> is empty or incorrect rinse aid amount is set.</li> <li>• Improper loading of dishes.</li> </ul>	<ul style="list-style-type: none"> <li>• Add rinse aid or adjust setting - the use of rinse agent improves drying, use the Auto cycle, use the Sanitize option</li> <li>• Rearrange load to ensure items are not nesting. ~ See "Loading the Dishwasher"</li> </ul> <p><b>Note:</b> Select models offer an extra heating option to improve drying performance</p>
<p>Odor <b>Note:</b> Water testing is done in the factory. Occasionally water may still appear in dishwasher at purchase which may create an odor.</p>	<ul style="list-style-type: none"> <li>• Food debris is present at the bottom of the dishwasher.</li> <li>• Food particles are present near the door seal.</li> <li>• Residual water is present at the bottom of the dishwasher.</li> </ul>	<ul style="list-style-type: none"> <li>• Remove the filters and clean them. ~ See "Care and Maintenance"</li> <li>• Ensure the dishwasher has completely drained from the last cycle.</li> <li>• Remove any obstructions from the drain hose by calling qualified personnel.</li> <li>• <b>Note:</b> If odor still persists, run the Normal/ Regular cycle until it flushes and interrupt the cycle and</li> </ul>

	<ul style="list-style-type: none"> <li>• Drain hose is obstructed.</li> </ul>	<p>place an 8 oz. cup of distilled white vinegar solution on the upper rack and then finish the cycle.</p>
Dishwasher not filling with water or “Check water supply” display lights up	<ul style="list-style-type: none"> <li>• Restriction in the water supply system.</li> <li>• Previous wash cycle was not completed</li> <li>• Delay start is active.</li> <li>• Household water supply turned off.</li> </ul>	<ul style="list-style-type: none"> <li>• Ensure that the water supply valve (typically located under kitchen sink) is open and check that the water supply line has no kinks or clogs.</li> <li>• See “Operating the Dishwasher”</li> <li>• Cancel the delay start or wait until delay start time completes</li> <li>• Turn on water supply..</li> </ul>
Fascia panel discolored or marked	<ul style="list-style-type: none"> <li>• Abrasive cleaner used</li> </ul>	<ul style="list-style-type: none"> <li>• Use mild detergents with soft damp cloth.</li> </ul>
Noise during wash cycle	<ul style="list-style-type: none"> <li>• Dishes may not be arranged properly.</li> </ul>	<ul style="list-style-type: none"> <li>• Water circulation sound is normal, but if you suspect items are banging into each other or into the spray arms, check optimal arrangement of dishes. ~ See “Loading the Dishwasher”</li> </ul>
Water leaks	<ul style="list-style-type: none"> <li>• Suds</li> <li>• Door seal could be pulled away from track.</li> <li>• Condensation vent is blocked.</li> </ul>	<ul style="list-style-type: none"> <li>• Using wrong type of detergent or overfilling the rinse aid dispenser results in suds and leaks - use only dishwasher detergents. If suds still persist, add one tablespoon of vegetable oil at the bottom of the</li> </ul>

	<ul style="list-style-type: none"> <li>• Improper installation.</li> </ul>	<p>dishwasher and run the desired cycle.</p> <ul style="list-style-type: none"> <li>• Ensure the door seal is in the track.</li> <li>• Ensure that condensation vent is not blocked</li> <li>• Have proper installation verified by qualified personnel (water supply, drain system, leveling, plumbing).</li> </ul>
Tub stains	<ul style="list-style-type: none"> <li>• Stains on the dishwasher interior are due to water hardness.</li> <li>• Silverware in contact with tub.</li> </ul>	<ul style="list-style-type: none"> <li>• Concentrated lemon juice can reduce the build-up of hard water stains. Run Normal/Regular cycle until it flushes and interrupt the cycle and then place an 8 oz. cup of the concentrated lemon solution on the upper rack and finish the cycle. This can be done periodically to avoid build-up.</li> <li>• Ensure that silverware does not make contact with the tub while running a cycle.</li> </ul>
Detergent dispenser cover will not shut	<ul style="list-style-type: none"> <li>• Improper operation of detergent cover.</li> <li>• Previous cycle was not finished or interrupted.</li> </ul>	<ul style="list-style-type: none"> <li>• For instructions on opening and closing the dispenser ~ See “Detergent”</li> <li>• See “Operating the Dishwasher”</li> </ul>



Unable to select desired cycle	<ul style="list-style-type: none"><li>• Previous cycle not finished.</li></ul>	<ul style="list-style-type: none"><li>• See “Operating the Dishwasher”</li></ul>
--------------------------------	--	--

**Warning**

This content is compiled from multiple sources and is provided for reference purposes only. It may not be complete or fully applicable to all situations. If you are unable to resolve your issue, please contact the product manufacturer or an authorized service provider for official support.

