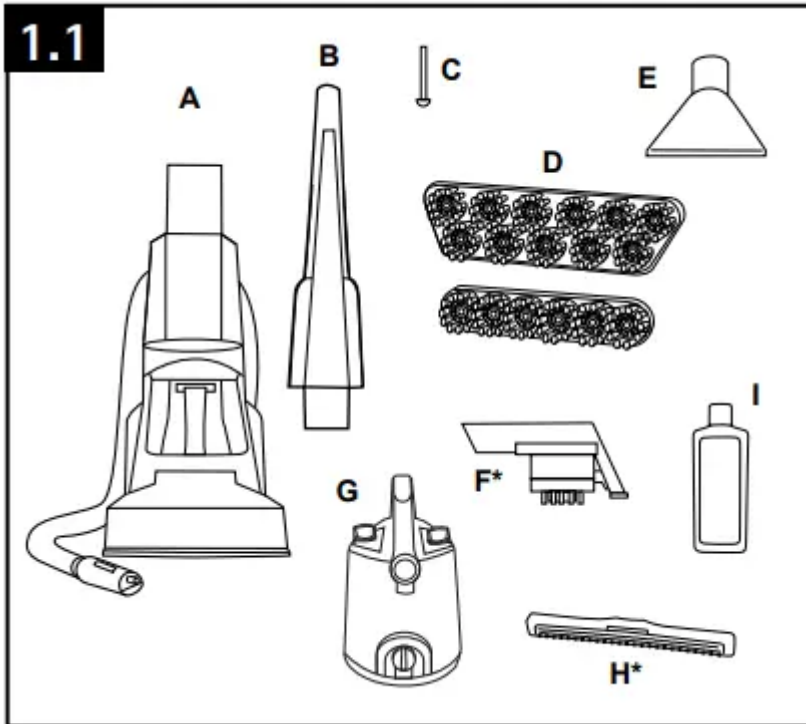


Cleaner ASSEMBLY

Carton contents



- A. Base, Hose and Removable Dirty Water Tank
- B. Upper Handle
- C. Handle Bolt (located in handle of unit)
- D. SpinScrub® 60 Brush Assembly or SpinScrub® 77 Brush Assembly (Assembled on unit)
- E. Stair/Upholstery Nozzle (Assembled on unit)
- F. SpinScrub® Hand Tool*
- G. Clean Water Tank/ Carry Handle
- H. Squeegee* (Assembled on unit)
- I. Solution Bottle

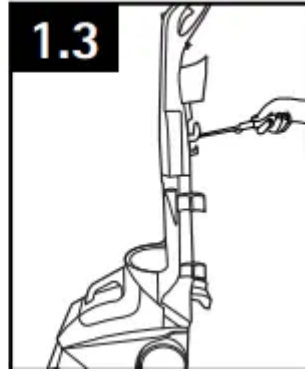
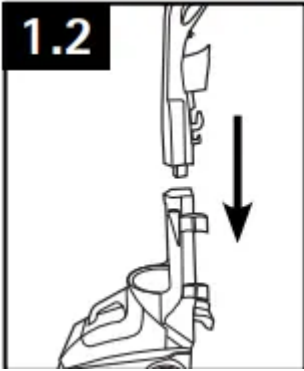
Remove all parts from carton and identify each item shown.

Make sure all parts are located before disposing of packing materials.

Available on select models only. Accessories not included with your model may be purchased separately by visiting hoover.com.

NOTE: Phillips screwdriver needed for assembly.

Attach handle

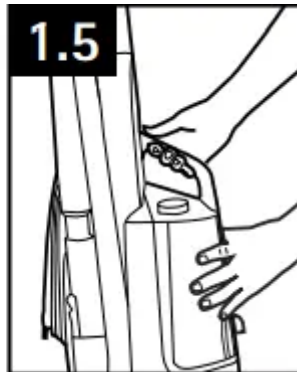
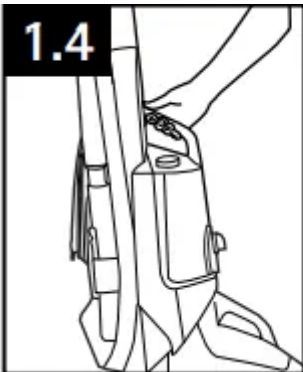


Handle ships with bolt screwed in place. Remove bolt.

- 1.2 Insert handle section into vacuum base. Push down firmly.
- 1.3 Insert bolt. Tighten with screwdriver.

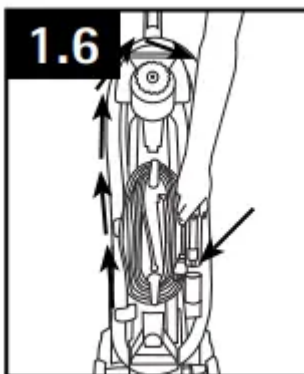
upper tank

- 1.4 Position bottom of tank onto cleaner.
- 1.5 Push upper part of tank to lock it into place.

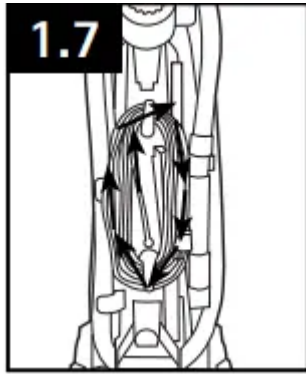


Store hose

- 1.6 Wrap hose around back of cleaner. Store hose handle in holster.

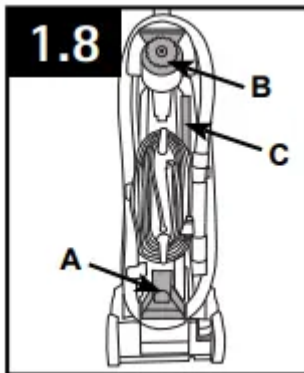


CORD STORAGE



- 1.7 Wrap cord around cord hooks for convenient storage. Attach the plug end to cord.

Store tools



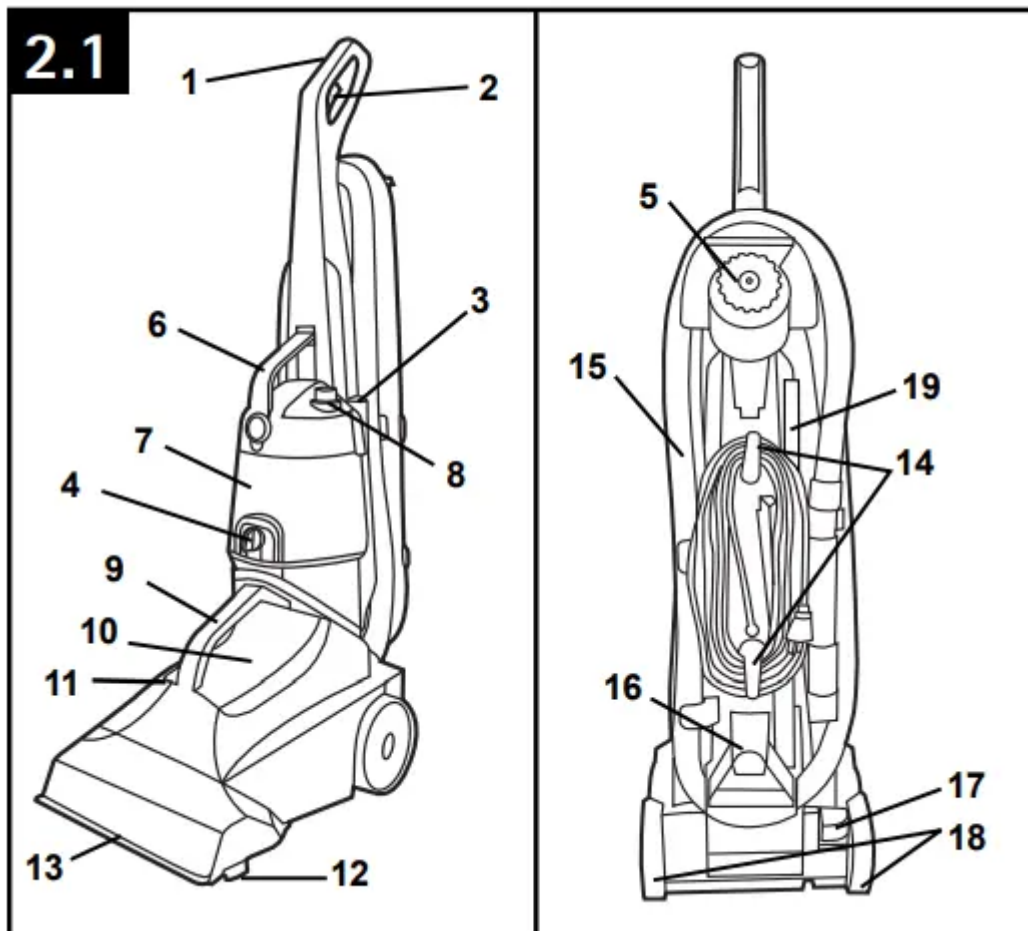
(Tools may vary)

- 1.8 Store Tools on back side of cleaner as shown.
- A. Upholstery Nozzle*
- B. SpinScrub® Hand Tool*
- C. Hard Floor Squeegee Tool*

*Available on select models only.

HOW TO USE

Cleaner Description



1. Hand Grip
2. Solution Trigger
3. ON/OFF Switch
4. Wash/Rinse Setting Switch
5. SpinScrub® Hand Tool*
6. Carry Handle
7. Clean Water Tank
8. Detergent Container
9. Dirty Water Tank Handle
10. Dirty Water Tank
11. SpinScrub® Mode Selector*
12. Edge Cleaners*
13. Nozzle

14. Cord Hooks: Upper cord hook rotates for quick cord release.
15. Hose
16. Stair/Upholstery Tool*
17. Handle Release Pedal
18. Non-Marring Wheels*
19. Hard Floor Squeegee Tool*

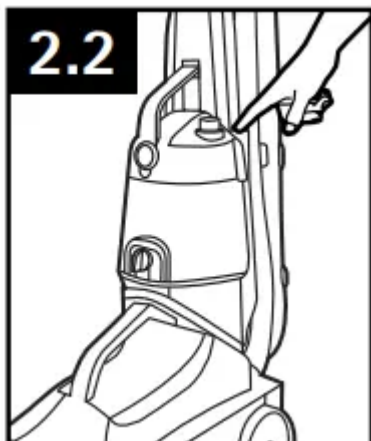
CAUTION ! DO NOT USE THIS EXTRACTOR ON HARD FLOORS UNLESS YOU HAVE THE PROPER HARD FLOOR ATTACHMENT. USING THIS MACHINE ON HARD FLOORS WITHOUT PROPER ATTACHMENT MAY SCRATCH OR DAMAGE YOUR FLOOR.

*Available on select models only. Accessories not included with your model may be purchased separately by visiting www.hoover.com, or your local HOOVER® service center.

ON-OFF switch

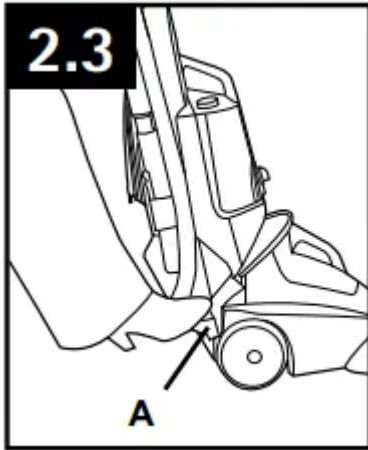
To turn cleaner ON, push button down.

To turn cleaner OFF, push button again



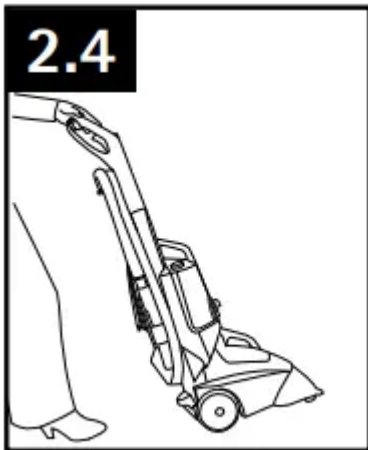
Actual model may vary from images shown.

Handle release pedal



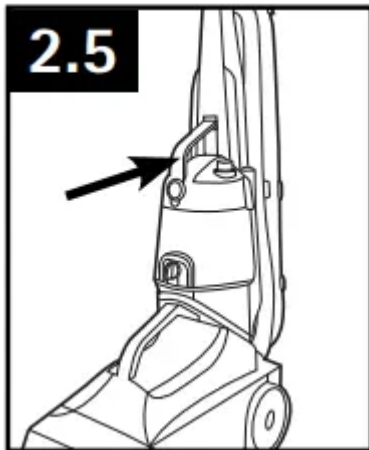
Step on pedal (A) to lower handle to operating position. Handle does not lock into a single position but “floats” to allow convenient operation

Transporting



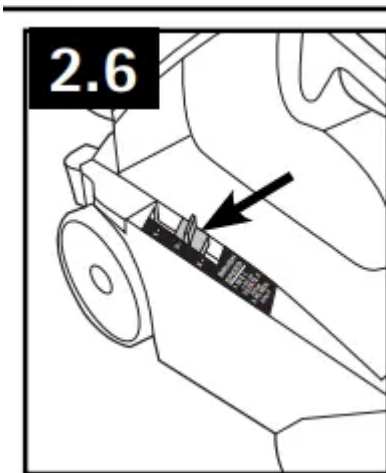
- 2.4 To move your cleaner from room to room, put handle in upright and locked position, tilt cleaner back on wheels and push forward.

Carry handle



- 2.5 The cleaner may also be lifted by the upper clean water tank handle as shown. Be sure tank is properly latched in place.

SpinScrub® mode selector

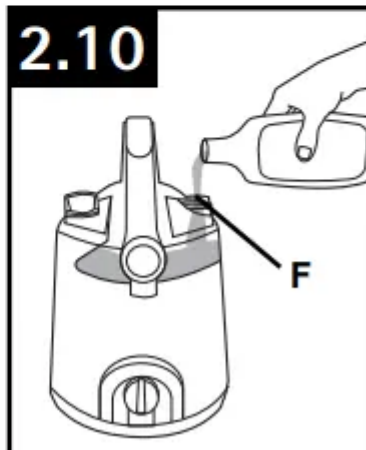
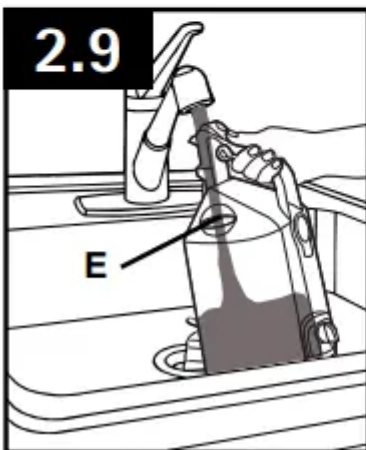
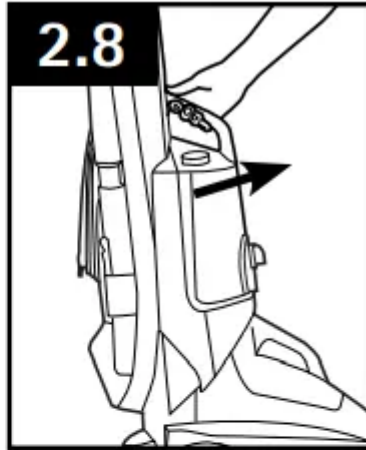
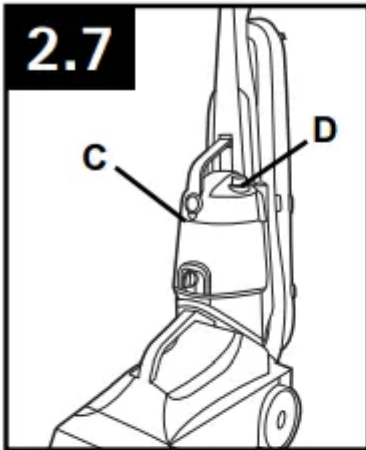


(Available on select models only)

- 2.6 Your carpet cleaner has three agitator brush settings. Slide setting selector to the desired setting before cleaning.
- SPILL PICK-UP - brushes OFF for picking up spills or cleaning carpets and hard floors when brushing is not desired.
- POWER SCRUB - brushes at maximum speed for cleaning carpets
- GENTLE SCRUB - for delicate carpets and hard floors.

The tanks: CLEAN WATER / SOLUTION TANK

(upper tank)



- 2.7 The clean water tank (C) holds the water that will clean the carpet or floor, or used to rinse the carpet or floor. The detergent container (D) is permanently attached to the water tank. It holds the detergent that mixes with the water.

How to Fill

Turn off and unplug cleaner from electrical outlet.

- 2.8 To remove tank, press down on tank handle button and pull forward.
- 2.9 Fill tank (E) with hot tap water. The use of hot water opposed to cold, significantly improves cleaning performance, on most dirt and stains.

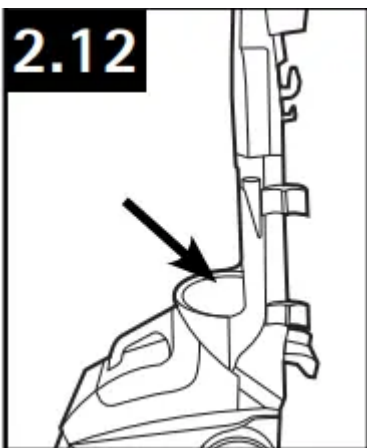
CAUTION ! Do not fill with water above 140°F (60°C).

- 2.10 Fill detergent container (F) with Hoover® MaxExtract™ Carpet & Upholstery Detergent or any other Hoover detergent. Replace container caps and tighten. Completely fill Detergent Tank when using standard solution.
- 2.11 Position bottom of tank onto cleaner and push upper part of tank to lock it into place.



IMPORTANT: The tank pivots towards the back of the unit. Push the top of the tank and tank handle while supporting the back of the unit with your other hand.

WARNING: Use only HOOVER® cleaning products intended for use with this machine. (See the “Cleaning Products” section in this manual for details) They are specially formulated for use with your cleaner. Non-Hoover cleaning solutions may harm the machine and void the warranty



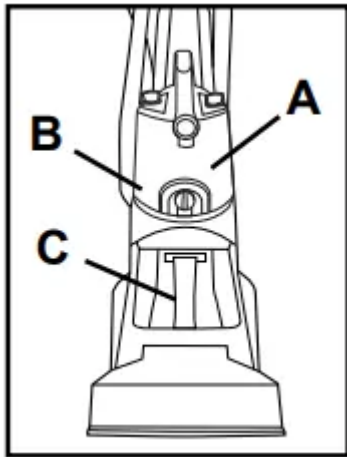
Check tank to make sure it is securely latched.

- 2.12 There may be a small amount of water (indicated by arrow) on the base when the tank is removed from the unit. This is a normal condition.

CAUTION: Detergents contain Anionic and Nonionic Surfactants. Avoid contact with eyes and skin. In case of contact with eyes, flush with cold water for 15 minutes. In case of contact with skin, wash with water. If irritation persists, call a physician.

WARNING: Certain oxygenated-type cleaners, such as OxiClean* and TuffOxi** will damage your (A) detergent container, (B) Clean Water Tank or (C) Dirty Water Tank. Use only HOOVER® Oxy detergent for this purpose.

- *OxiClean is a registered trademark of Orange Glo International, Inc.
- **TuffOxi is a trademark of Tuff Products for Pets.



Dirty Water Tank

(lower tank)

CAUTION: Do not carry cleaner with this tank's handle - personal injury may occur.

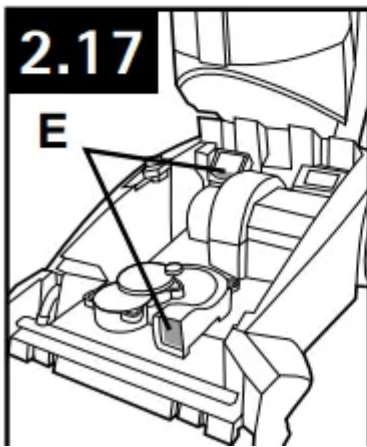
The Dirty Water Tank holds the dirty solution that is picked up from the surface being cleaned.

When the Dirty Water Tank is full, the automatic shut-off will engage, suction will stop and the tank must be emptied (see Automatic Shut-Off section).

How to Empty

Turn cleaner off and unplug from electrical outlet.

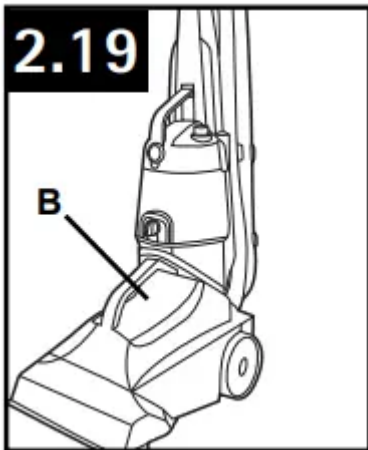
- 2.13 Pull Dirty Water Tank from unit.
- 2.14 Remove Quick Pour Spout Cap and Empty Dirty Water Tank.
- 2.15 To clean tank, unlatch clean out cover latch (A) and remove cover (B). Rinse inside and dry.
- 2.16 Verify door in lid (C) and plunger moves freely (D). Clean after use.
- 2.17 Remove lint and debris from lint screens (E).
- 2.18 Replace Dirty Water Tank on unit (F). Be sure to press tank firmly into position so the front gasket seals against tank.



Actual model may vary from images shown.



Automatic shut off



When the Dirty Water Tank (lower tank) is full the automatic shut off mechanism will shut off the cleaner suction (suction will be noticeably reduced).

- 2.19 At that time, the yellow float disk will rise to the top of the Dirty Water Tank lid (B). The cleaner will no longer pick up dirty solution and the motor sound will become noticeably higher in pitch.

When this happens, turn cleaner off and empty Dirty Water Tank before continuing use.

Check clean water tank also; it may need to be refilled. Do not use without float and float retainer in place. If broken or dislodged, take to an Authorized Dealer for repair.

How to CLEAN

Before you begin cleaning

a. Vacuum thoroughly - For carpet, use a HOOVER® vacuum cleaner with an agitator for best results. Vacuum upholstery with a vacuum cleaner with cleaning tool attachments. Use a crevice tool to reach into tufts and folds.

IMPORTANT: Do not use the carpet cleaner as a dry vacuum cleaner.

b. For upholstery, check cleaning code - Use your HOOVER® carpet cleaner only if the upholstery fabric is marked with a “W” (for “wet” clean) or “S/W” (for “solvent/dry” or “wet” clean). Do not clean fabric marked “S” (“solvent/dry” clean only). If your upholstery does not have a code, seek professional assistance.

c. Test for colorfastness - Wet a white absorbent cloth with the detergent. In a small, hidden area, gently rub the surface with the dampened cloth. Wait ten minutes and check for color removal or bleed with white paper towel or cloth. If surface has more than one color, check all colors.

d. When cleaning entire floor, move furniture out of area to be cleaned (may not be necessary if only high traffic areas are to be cleaned). For furniture too heavy to move, place aluminum foil or

wax paper under legs. This will prevent wood finishes from staining carpet. Pin up furniture skirts and draperies.

e. Pretreat spots and heavy traffic areas with HOOVER® CleanPlus™ Cleaner and Deodorizer Spot Spray or Spot Foam.*- Follow Directions on bottle.

f. To prevent staining, use plastic or aluminum foil to protect wood or metal surfaces from possible water spray.

g. To avoid wetting and possible damage to wood floors underneath area rugs/carpet, either move area rugs/ carpet to a non-wood hard floor surface or place waterproof material (e.g. plastic) underneath them before cleaning.

*Available at additional cost if not included with your model.

Cleaning Carpet

Read “Before You Begin Cleaning” instructions.

Fill Clean Water Tank according to instructions for Fig. 2.9.

Fill detergent container with Hoover® detergent according to instructions for Fig. 2.10.

Select proper SpinScrub® mode (Fig. 2.6).

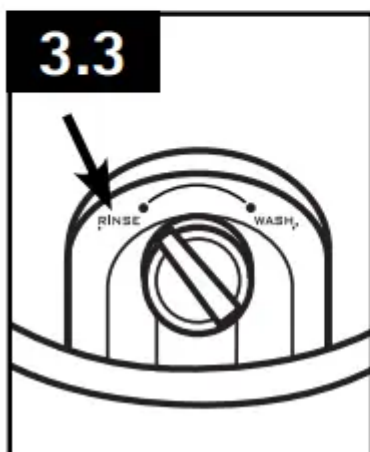
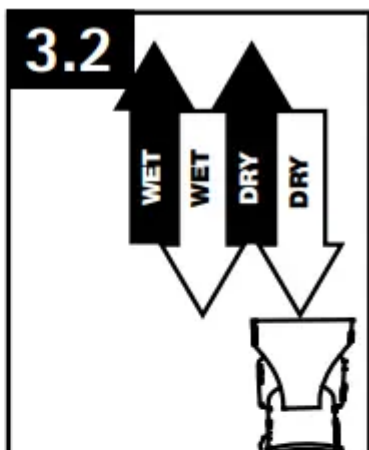
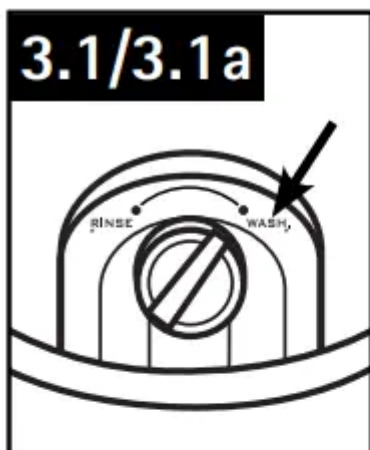
Dry hands and plug cord into a properly grounded outlet.

CAUTION: Do not clean over floor electrical outlets. Water will drip from the brushes and underside of the product after use and may puddle. To avoid damage to wood and laminate flooring and to avoid potential slip hazard, after use (a) do not leave the product on wood and laminate surfaces and remove to a hard surface and (b) place unit on absorbent material (such as a towel) to soak up drips.

To avoid walking on damp carpet, start at the end of the room farthest from the door or path to sink where tanks will be emptied and filled.

Step on handle release pedal and lower handle to operating position.

Step 1



- 3.1 Set Wash/Rinse Setting switch to Wash. Turn cleaner ON.
- 3.2 Squeeze trigger to apply cleaning solution and slowly push cleaner forward (equals one wet stroke).

Continue to squeeze trigger and slowly pull cleaner back toward you (second wet stroke).

Step 2

Release trigger and slowly push cleaner forward over area just sprayed with solution (dry stroke). Then slowly pull cleaner back toward you without squeezing trigger (dry stroke). Continue using dry strokes until little water is visible passing through the Dirty Water Tank lid (Pass over the same area a minimum of 4 times = 2 while squeezing the trigger and 2 without).

For best results, use straight, parallel strokes. Overlap strokes by 1 inch to help prevent streaking. Keep nozzle flat on floor for both forward and reverse strokes.

- 3.3 If you would like to rinse the carpet with water only, set Wash/Rinse Setting switch to RINSE. Repeat cleaning motion. In this setting, rinsing will be done on both forward and reverse strokes.

For heavily soiled areas, repeat cleaning motion. Avoid saturating carpet. It is best to alternate wet and dry strokes as described above.

For best cleaning results and to aid in faster drying of carpet, end with more dry strokes. (Continue using dry strokes until little water is visible passing through the Dirty Water Tank lid.) Empty Dirty Water Tank when the motor sound becomes higher pitched and there is a loss in suction (see “Automatic shut-off”, Fig. 2.19). When finished cleaning, follow “After Cleaning” instructions on page 12.

IMPORTANT: To avoid saturating carpet, do not use more than 4 wet strokes over one area. Always end with dry strokes.

Picking up spills

Your HOOVER® carpet cleaner may also be used to pick up small liquid spills (one gallon or less, never to exceed 1/8” in depth). Do not submerge unit in liquid.

Place the floor nozzle with the SpinScrub® mode selector to SPILL PICK-UP in front of the spill, pull the nozzle very slowly over the spill.

When finished picking up spills, follow “After Cleaning” instructions.

CAUTION: Do not use the carpet cleaner to pick up flammable or combustible liquids or chemicals.

Cleaning hard floors

How to Attach Squeegee for Hard Floor Cleaning (Available on select models only)

CAUTION: To reduce the risk of injury from moving parts - Unplug before cleaning or servicing.

To prevent possible leaking, remove clean water tank (Fig. 2.8) and Dirty Water Tank (Fig. 2.13). Set tanks aside (do not set tank on furniture). With handle in upright position, tilt cleaner back so that handle rests on the floor.

- 3.4 Position the squeegee, larger lip facing up, on bottom of nozzle until it snaps securely into place. Make sure the outside edges are pushed up tight against the nozzle. Remove squeegee to return to cleaning carpets. Read “Before you begin cleaning” instructions on page 9.

CAUTION:

- Do not use the carpet cleaner on unsealed hardwood floors. To prevent damage to wood floors, follow the flooring manufacturer’s cleaning recommendations.
- If using cleaner on sealed wood floors, inspect floor surface for worn finish, bare wood or separated joints. It is not recommended to use the cleaner on wood floors if any of these conditions exist. Water will drip from the brushes and underside of the product after use and may puddle.
- To avoid damage to wood and laminate flooring and to avoid potential slip hazard, after use (a) do not leave the product on wood and laminate surfaces and remove to a hard surface and (b) place unit on absorbent material (such as a towel) to soak up drips.

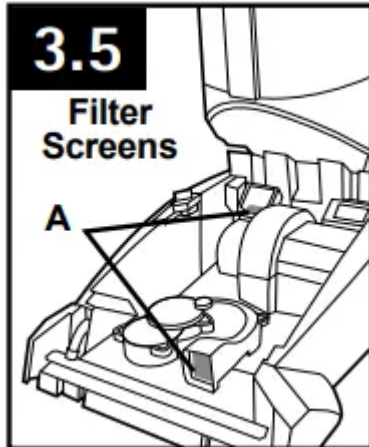
- DO NOT USE THIS EXTRACTOR ON HARD FLOORS UNLESS YOU HAVE THE PROPER HARD FLOOR ATTACHMENT. USING THIS MACHINE ON HARD FLOORS WITHOUT PROPER ATTACHMENT MAY SCRATCH OR DAMAGE YOUR FLOOR.



1. Fill clean water tank according to instructions for Fig. 2.9.
2. Fill detergent container with HOOVER® Hard Floor Cleaner according to instructions for Fig. 2.10.
3. Slide SpinScrub selector to GENTLE SCRUB.
4. Dry hands and plug cleaner into a properly grounded outlet.
5. Step on handle release pedal and lower handle to operating position.
6. Set Wash/Rinse Setting switch to WASH (Wash/ Auto-Rinse™ when available). Turn cleaner on.
7. To release solution, press trigger. Slowly move cleaner forward and backward over area to be cleaned. Water and detergent will be released on the forward stroke. For models with Auto-Rinse feature, a water-only rinse will automatically be released on the reverse stroke.
8. To pick up dirty solution, release trigger and slowly move cleaner over area where solution has just been dispensed. Use both forward and reverse strokes.
9. If rinsing the floor is desired, set Wash/Rinse Setting switch to RINSE. Repeat steps 7 & 8. This setting provides a water-only rinse in both the forward and reverse strokes. Rinsing is not necessary, but will help remove detergent residue from the floor.
10. Empty recovery tank when the motor sound becomes higher pitched and there is a loss in suction (see “Automatic shut-off”, Fig. 2.19).
11. When finished cleaning, follow “After cleaning” instructions on page 12.

Unplug cleaner from electrical outlet and remove squeegee from nozzle. Rinse it in clear water. (Reference Figs. 2.13 - 2.17)

After cleaning



Allow carpet or upholstery to dry. To help prevent matting and resoiling the carpet, keep children and pets away from surface until it is completely dry. If it is necessary to walk on damp carpet, place towels or white cloths on the traffic areas.

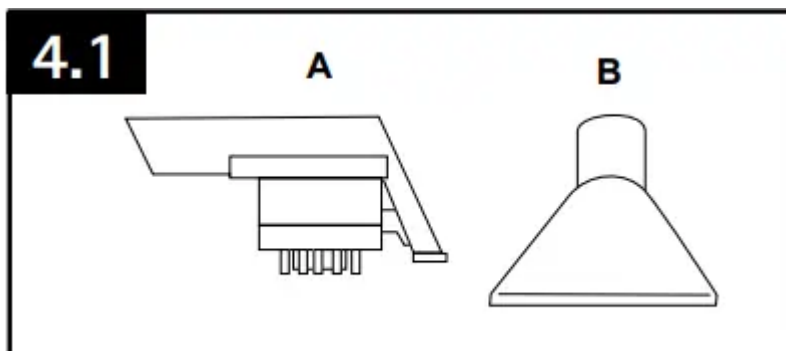
If furniture must be replaced before the carpet is dry, place plastic or aluminum foil under legs of furniture so metal slides or wood finishes will not stain the carpet.

Empty tanks, rinse with clean water and let air dry. Rinse the Dirty Water Tank lid and let air dry.

IMPORTANT: 3.5 To keep performance of your machine at peak level remove nozzle (Fig. 5.1) and check filter screens (A) located inside the base of the unit and remove lint or debris.

TOOLS

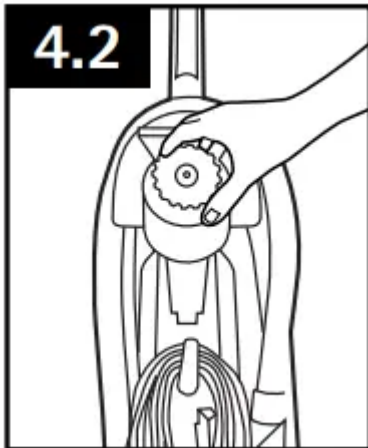
TOOLS



- A. SpinScrub® Hand Tool (Available on select models only) has rotating brush for extra scrubbing action on small carpet areas, carpeted stairs and upholstery. For some models, the brushes can be removed for converting to the scrub module. (Available on select models only)
- B. Stair/Upholstery Nozzle has a built-in brush to help provide the scrubbing action some spots may need for removal

SpinScrub® hand tool

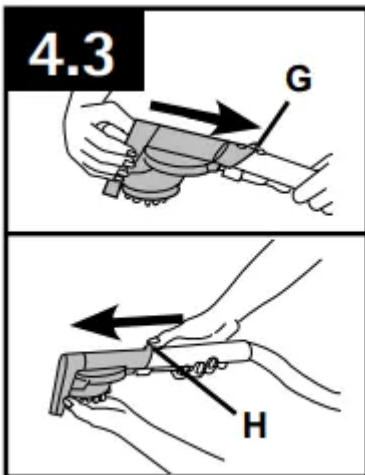
(Available on select models only)



- 4.2 To remove the SpinScrub® hand tool pull tool up and outward.

To reposition the tool, reverse this procedure.

How to Attach Tools



CAUTION: To reduce the risk of injury from moving parts - Unplug cleaner before connecting SpinScrub® Hand Tool. Not to be used for grooming a pet.

Place handle in upright position and remove hose from rack. Turn off and unplug cleaner from electrical outlet. All tools attach to the hose in the same manner:

- 4.3 Connect tool to hose by sliding it onto connector until the tab (G) locks it securely.

Using your thumb, push forward and up on the latch (H) to remove tool.

Cleaning carpeted stairs

Read “Before You Begin Cleaning” instructions on page 9. Place handle in upright position. Agitator brushes will not rotate while handle is in upright position.

- Fill clean water tank according to instructions for Fig. 2.9.
- Fill detergent container with HOOVER® detergent according to instructions for Fig. 2.10.
- Attach tool to end of hose. Do not point tools toward people or pets.

CAUTION: Use extra care when cleaning on stairs. To avoid personal injury or damage, and to prevent the cleaner from falling, always place cleaner at bottom of stairs or on floor. Do not place cleaner on stairs or furniture, as it may result in injury or damage.

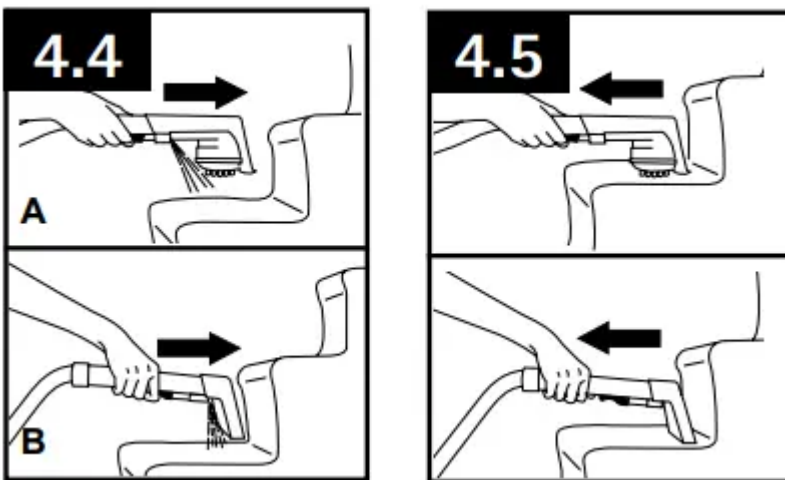
Dry hands and plug cleaner into a properly grounded outlet.

Set Wash/Rinse Setting switch to WASH. Turn cleaner ON.

Prime the pump by lowering the hose down to the floor and hold the trigger for up to 1 min.

4.4 Pre-spray the carpeted stair by holding the tool (A) or (B) about one inch above the carpet and push it forward while pressing the trigger (equals one wet stroke).

Position tool against the riser and slightly press it into carpet pile. Press the trigger and pull the tool slowly over the carpet (second wet stroke). Release trigger at end of stroke.



4.5 Lift tool, and position it against riser. Pull tool slowly over carpet without pressing trigger (dry stroke).

Overlap strokes by 1/2 inch to help prevent streaking. It is best to alternate wet and dry strokes as described above. End with more dry strokes to aid in faster drying of carpet. To avoid saturating carpet, do not use more than 4 wet strokes over any one area.

Always end with dry strokes. If additional cleaning is necessary, wait until the carpet is completely dry before using the tool again.

Empty Dirty Water Tank when the motor sound becomes higher pitched and there is a loss in suction (see “Automatic Shut-Off”, Fig. 2.19). When finished cleaning, empty Clean Water Tank, wash and rinse dirty Water Tank and let air dry.

See “After Cleaning” section (Page. 12) for additional information.

Cleaning upholstery

Read “Before You Begin Cleaning” instructions on page 9. Be sure to check the cleaning code on your upholstery. Use your cleaner only on upholstery marked “W” or “W/S”.

Place handle in upright position. Agitator brushes will not rotate while handle is in upright position.

Fill Clean Water Tank according to instructions for Fig. 2.9.

Fill detergent container with HOOVER® detergent according to instructions for Fig. 2.10.

Do not use hard floor cleaning solution when cleaning upholstery. Attach tool to end of hose.

Do not point tools toward people or pets.

Dry hands and plug cleaner into a properly grounded outlet. Set Wash/Rinse Setting switch to WASH. Turn cleaner ON.

4.6 Gently press the tool onto the fabric. Press the trigger and slowly pull the nozzle over the fabric.

Overlap strokes by 1/2 inch to help prevent streaking. Make additional strokes without pressing the trigger to remove more moisture. To clean in corners or creases, lift the tool one half inch from the fabric and press the solution trigger. Vacuum up the solution with the tool without pressing the trigger.

4.7 For heavily soiled areas, it may be necessary to repeat the cleaning process.

Make crisscrossing strokes to the original pattern; overlap each pass. Make no more than 2 passes with the solution over any one area to prevent over-wetting and damage to fabric. If additional cleaning is necessary, wait until the upholstery is completely dry before using the tool again.

Empty Dirty Water Tank when the motor sound becomes higher pitched and there is a loss in suction (see “Automatic Shut-Off”, Fig. 2.19). When finished cleaning, empty Clean Water Tank, wash and rinse dirty Water Tank and let air dry. See “After Cleaning” section (Page. 12) for additional information.



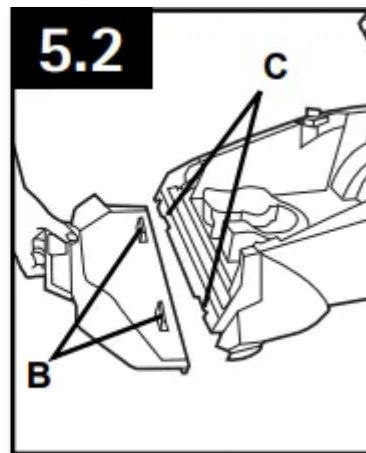
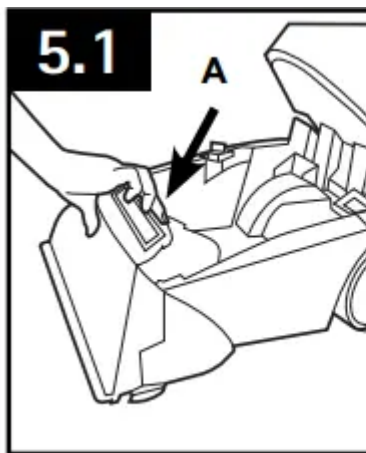
MAINTENANCE

Familiarize yourself with these home maintenance tasks as proper use and care of your cleaner will ensure continued cleaning effectiveness.

Any other servicing should be done by an authorized service representative.

If appliance is not working as it should, has been dropped, damaged, left outdoors, or dropped into water, take it to a service center prior to continuing use.

Nozzle: How to Clean



If lint or other debris becomes lodged in nozzle, it can be removed for cleaning.

Turn off and unplug cleaner from electrical outlet.

Remove the Dirty Water Tank as described in Figs. 2.8 and 2.13. With handle in upright position, tilt cleaner back so that handle rests on the floor.

- 5.1 Pull latch (A) at rear edge of nozzle and pull forward to remove and clean nozzle.
- 5.2 To replace nozzle, line up tabs (B) on nozzle with holes (C) in cleaner. Slide tabs into holes. Push nozzle completely onto cleaner.

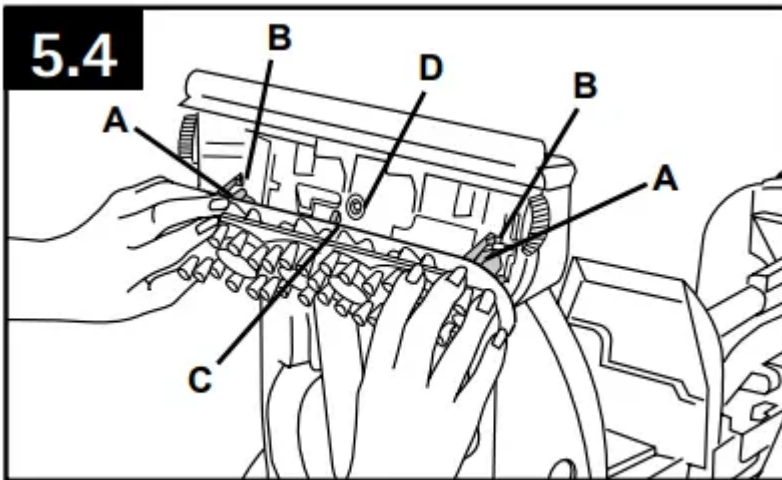
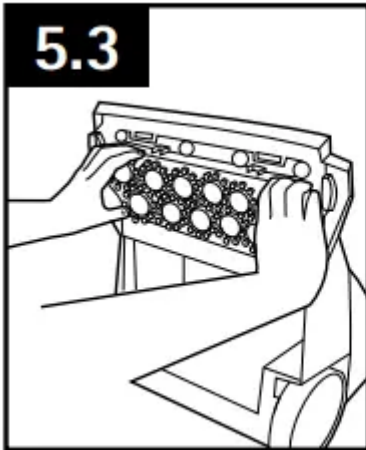
Press down on nozzle to engage rear tab. Replace Dirty Water Tank. The nozzle must be in the proper position in order for the Dirty Water Tank to go on properly

Brushes: How to Change and Clean

Your cleaner is equipped with removable brushes. Follow these directions for changing brush assemblies or for easy cleaning.

CAUTION: To reduce the risk of injury from moving parts - Unplug before cleaning or servicing.

How to Remove



Turn off and unplug cleaner from electrical outlet. To prevent possible leaking, remove Clean Water Tank and Dirty Water Tank. Set tanks aside.

With handle in upright position, tilt cleaner back until handle rests on the floor.

- 5.3 Grab brush assembly and pull firmly. The brushes can be cleaned under running water.

How to Replace

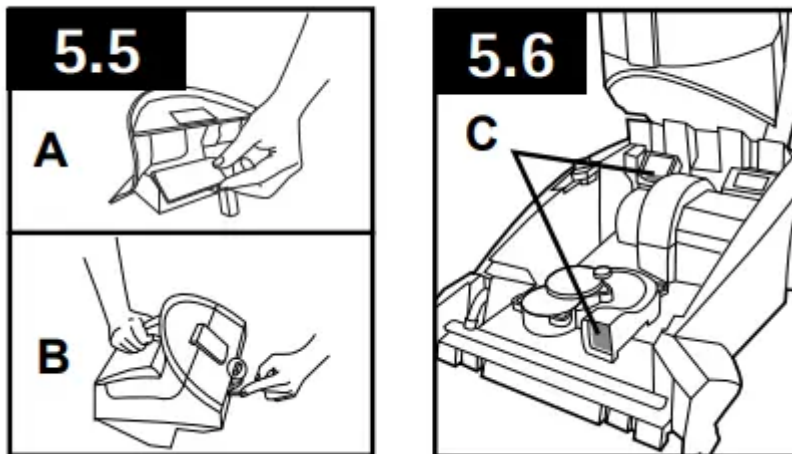
- 5.4 Align posts (A) on both ends of brush assembly with slots (B) in cleaner housing.

Make sure that the hexagonal post (C) also aligns with the hole (D). Turn brushes slightly until post fits easily into hole.

Press brush assembly firmly to snap into place.

Dirty Water Tank :

How to Clean



- 5.5 Clean and rinse inside of tank. Remove dirt and debris from inside door (A) and plunger (B). Make sure both move freely.
- 5.6 Remove lint and debris from lint screens (C).

Storage

Before storing:

- Empty Clean Water Tank and let air dry. Replace on cleaner.
- Empty Dirty Water Tank, rinse tank and lid thoroughly with clean water and let air dry.
- Verify door lid and plunger on tank and move freely.

Allow brushes and underside of carpet cleaner to air dry thoroughly before storing carpet cleaner on a carpeted or wood surface.

Lubrication

The motor is equipped with bearings that contain sufficient lubrication for the life of the motor. The addition of lubricant could cause damage. Therefore, do not add lubricant to motor.

TROUBLESHOOTING

If a minor problem occurs, it usually can be solved quite easily when the cause is found by using the checklist below.

Any other servicing should be done by an authorized service representative.

If appliance is not working as it should, has been dropped, damaged, left outdoors, or dropped into water, take it to a service center prior to continuing use.

WARNING: To reduce risk of personal injury - Unplug before cleaning or servicing.

1. Cleaner won't run.

- Not firmly plugged in.
 - Plug unit in firmly.
- No voltage in wall plug.
 - Check fuse or breaker in home.
- Blown fuse or tripped breaker.
 - Replace fuse or reset breaker in home.

2. Low suction.

- Dirty Water Tank full/ automatic shut off engaged.
 - Remove and empty Dirty Water Tank. Clean filter screen. Refer to Fig. 3.5 for instructions.
- Blockage In tool on end of hose.
 - Remove tool and clear blockage.
- Dirty Water Tank lid not on correctly.
 - Make sure lid is on securely.
- Dirty water tank plunger stuck in closed position.
 - Remove lid and clean plunger from the inside of the tank.
- Door in the lid is stuck closed.
 - Clean the door and verify it moves freely.
- Filter screens clogged.
 - Remove lint and debris from filter screens. Refer to Fig. 3.5 for instructions.

3. Clean water won't dispense.

- Clean Water Tank not firmly in place.
 - Make sure tank is securely locked in position.
- Clean Water Tank or detergent container empty.
 - Refill container according to instructions for surface being cleaned.

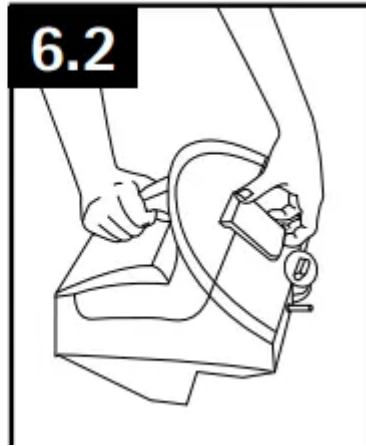
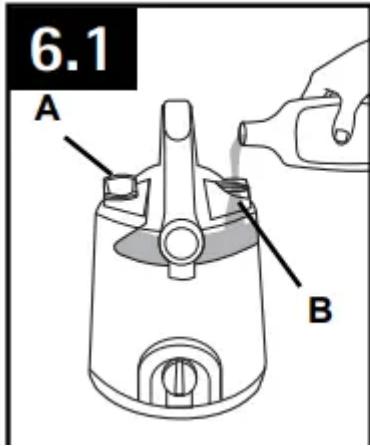
- Trigger not pulled.
 - Pull trigger.
- 4. Hose nozzle stops spraying liquid during use.
 - Clean Water Tank or Detergent Container is empty.
 - Turn off cleaner and fill Clean Water Tank and Detergent Container.
- 5. Hose nozzle will not spray after filling the Clean Water Tank or Detergent Container.
 - Air is trapped in the pump and hose.
 - Turn on the cleaner. If hose does not spray, prime the pump by lowering the hose down to the floor and hold the trigger for up to 1 minute.
- 6. Hose nozzle will not spray after priming pump.
 - Pump is defective.
 - Call for service: 1-800-944-9200
- 7. Brushes won't rotate during floor cleaning.
 - Dirty filter screen (orange frame) located beneath nozzle.
 - Remove nozzle to access screen and clean (see fig. 3.5).
 - SpinScrub® Mode Selector set on "Spill Pick-up".*
 - Set SpinScrub® Mode Selector to a scrub setting.

*Available on select models only.

Helpful Reminders

CAUTION: Unplug the cleaner before doing any of the following.

- Use HOOVER® brand detergents; others may foam too much, or cause leaking, or damage cleaner.
- Use extra dry strokes to aid in faster drying of the carpet.
- 6.1 Fill tank (A) with hot (under 140°F /60°C) tap water ONLY. Do not put any detergent in water tank. Fill detergent container (B) with HOOVER® detergent. (Reference Fig. 2.10)
- 6.2 Secure Dirty Water Tank lid before use.
- Empty Dirty Water Tank when full or when automatic shut-off engages.



CLEANING PRODUCTS

WARNING: To reduce the risk of fire and electric shock due to internal component damage, use only Hoover® cleaning products and Hoover® hard surface attachments intended for use with the appliance as noted below.

Hoover® Cleaning Product Guide

Product Name	Clean Plus 2x 32oz/64oz	Pet Plus 2x 32oz/64oz	Anti-Allergen 2x ¹ 32oz/64oz	Multi-Floor Plus 2x 32oz/64oz	Hoover Platinum Collection® Professional Strength 50oz	Hoover Platinum Collection® Pet Plus 50oz	Hoover® Pro-Plus Carpet and Upholstery Detergent 2x 32oz/64oz
Hoover® Quick & Light™	✓	✓	✓		✓	✓	✓
Hoover® SteamVac®	✓	✓	✓	✓ ²	✓	✓	✓
Hoover® MaxExtract® Dual V®	✓	✓	✓	✓ ³	✓	✓	✓
Hoover® SteamVac® All Terrain	✓	✓	✓	✓	✓	✓	✓
Hoover Platinum Collection®	✓	✓	✓		✓	✓	✓
Hoover® FloorMate®				✓			
Hoover® MaxExtract® 60	✓	✓	✓	✓ ⁴	✓	✓	✓
Hoover® MaxExtract® 77	✓	✓	✓	✓	✓	✓	✓

1. Allergens: pollen, pet dander, dirt, and dust.
2. When cleaning a hard surface, the Hoover® hard surface attachment below must be used (optional if not included): 5 Brush/Dual Brush Hoover® part # 48417008.

3. When cleaning a hard surface, the optional Hoover® hard surface attachment below must be used: 6 Brush Hoover® part # 36419008 5 Brush No longer available
4. When cleaning a hard surface, the optional Hoover® hard surface attachment below must be used: 6 Brush Hoover® part # 302658001

For optimal performance use Hoover® brand detergents, wipes, and spot cleaners available at Hoover.com and retailers nationwide.



Warning

This content is compiled from multiple sources and is provided for reference purposes only. It may not be complete or fully applicable to all situations. If you are unable to resolve your issue, please contact the product manufacturer or an authorized service provider for official support.