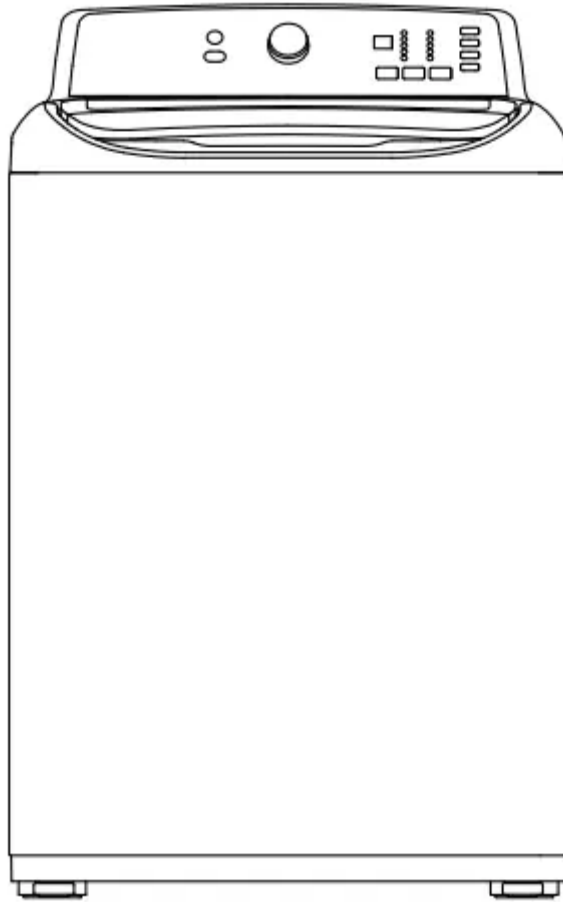


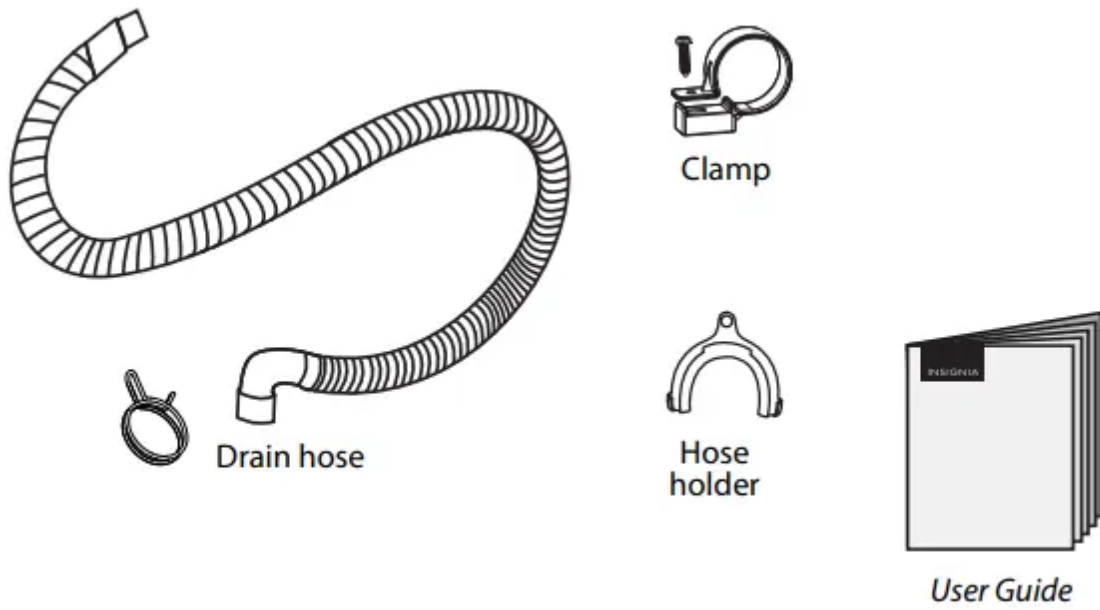
User manual Washer



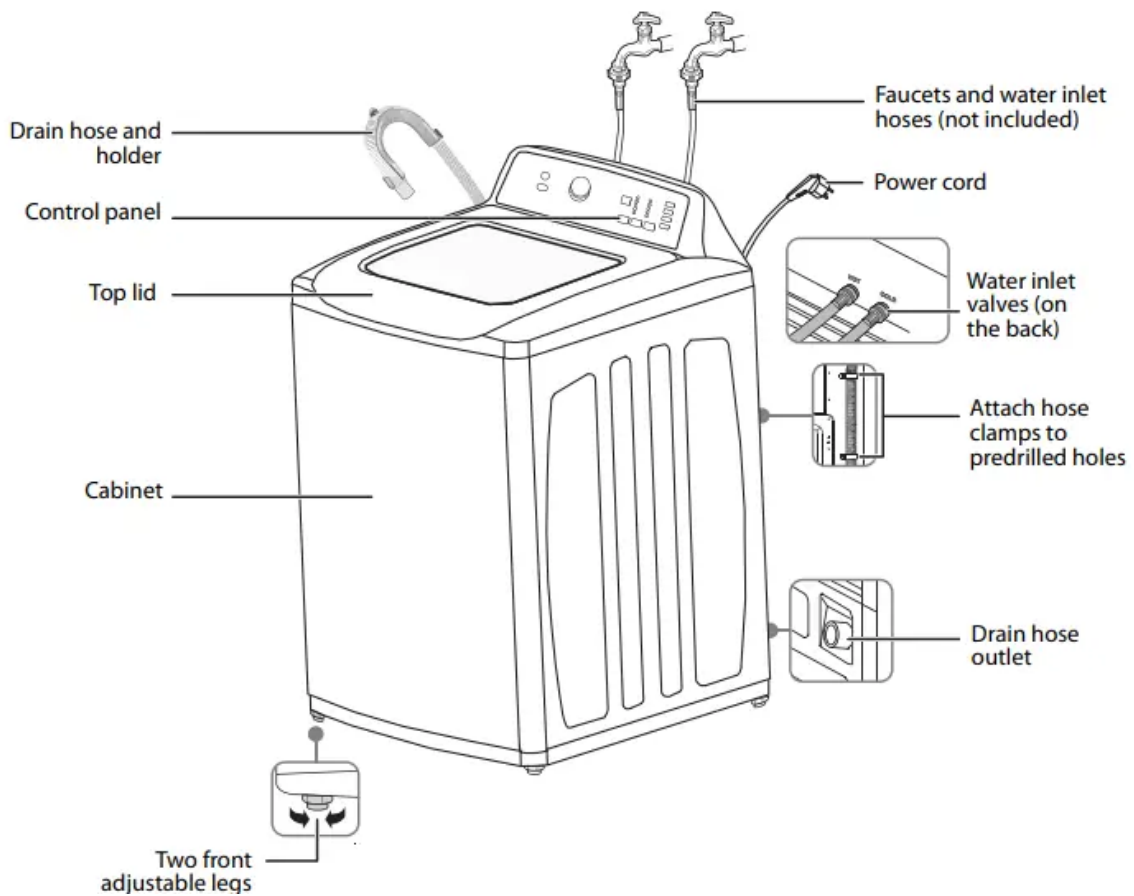
Features

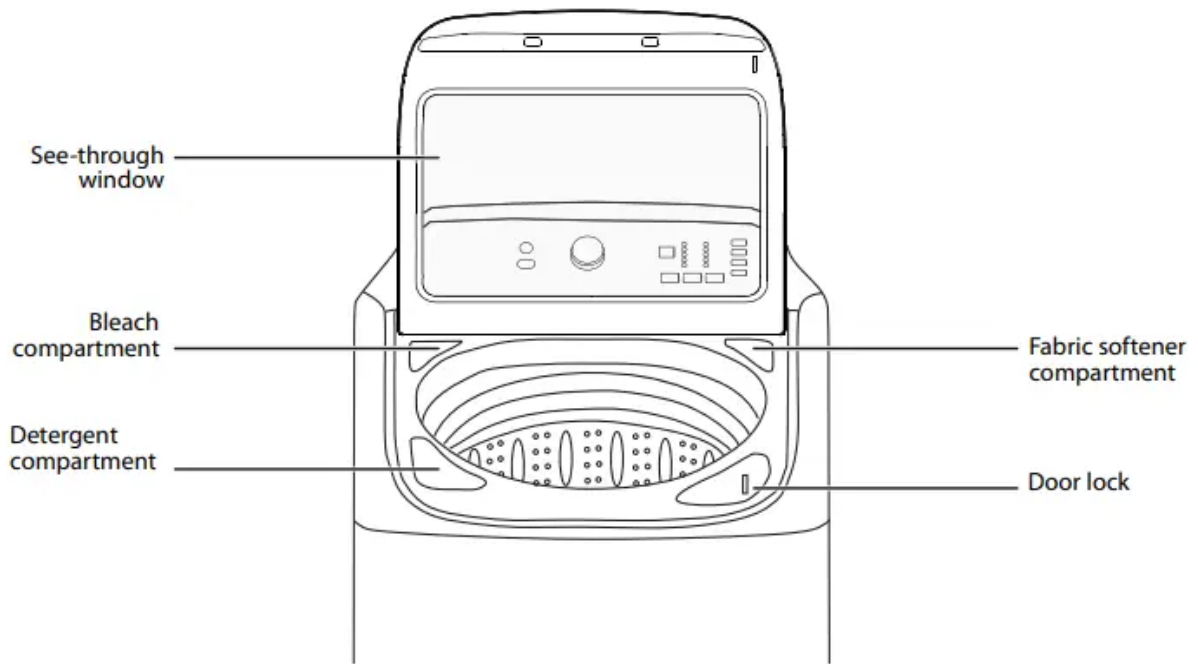
Package contents

Make sure that the following items came with your washer:

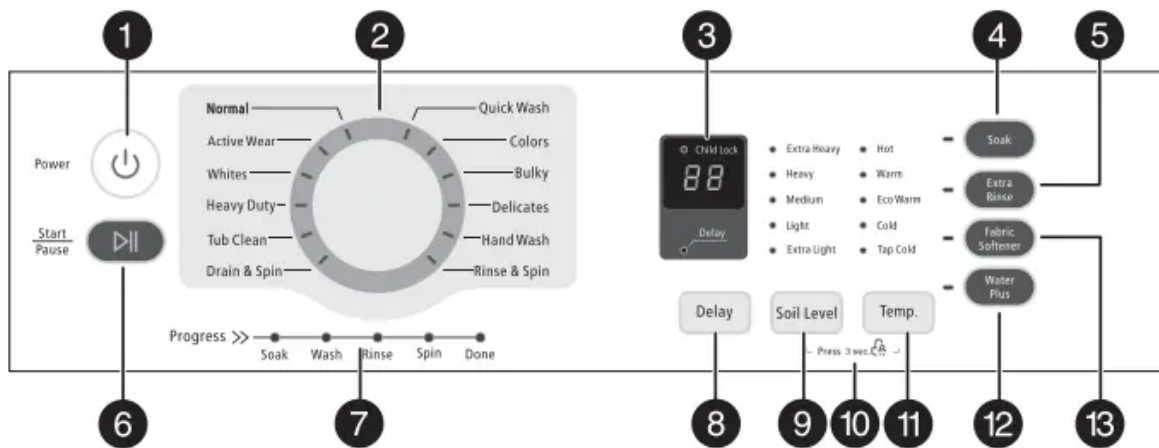




Main component






Control panel



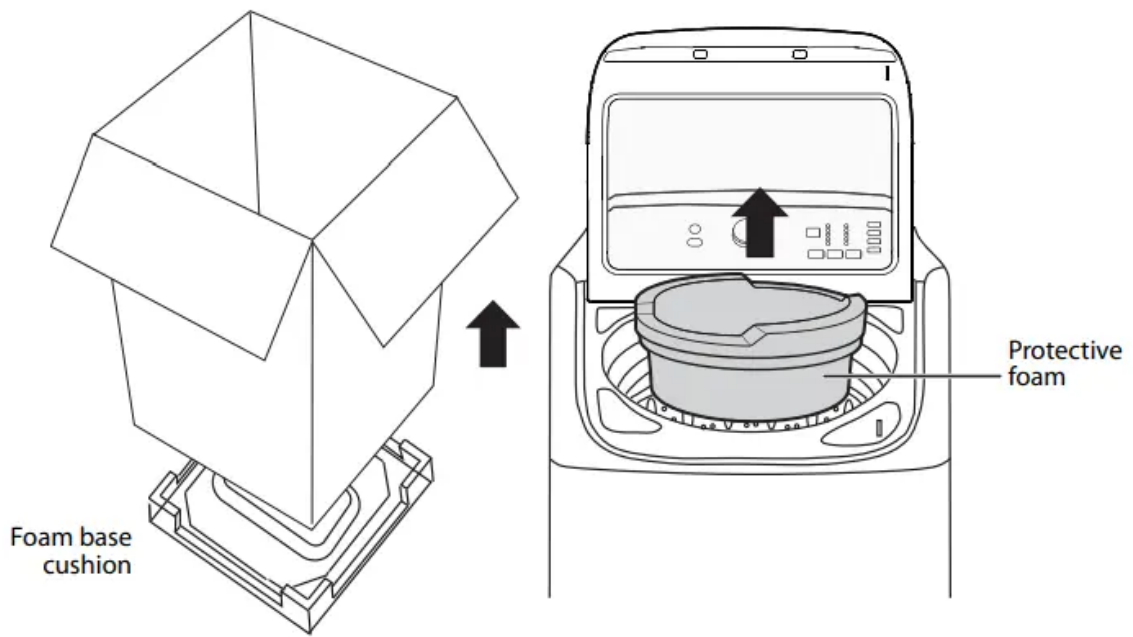
#	ITEM	DESCRIPTION
1	 Power button	Press to turn on your washer. Press again to turn off your washer. If you leave your washer on and do not press the  Start/Pause button within 10 minutes, your washer automatically turns off.
2	Cycle selector	Turn to select a wash cycle. The cycle you select determines the wash pattern and cycle. For more information, see Washer options and settings on page 26.
3	Digital display	<ul style="list-style-type: none"> The initial display is the total time for the cycle you select. While your washer is running, the display shows the cycle process and the time remaining in the cycle. <p>Note: The time shown is an estimate based on normal operating conditions. External factors (such as the load size, room temperature, incoming water temperature, and water pressure) can affect actual time.</p> <ul style="list-style-type: none"> If you set a delay time for the start of the cycle, the display shows the time when the cycle will start.
4	Soak button	Press to select the Soak option. Press again to cancel. Select this option for heavily soiled items that need to soak to remove stains and heavy dirt.
		Soak occurs after the tub fills and detergent is added, but before the wash process begins. The agitator will rotate several times during the soak process.
5	Extra Rinse button	Press to add an extra rinse to the wash cycle. Press again to cancel.
6	 Start/Pause button	Press once to start the wash cycle. Press again to pause the cycle. If you pause the cycle, you can add or remove items, but you cannot change any settings. Press again to restart the cycle.
7	Cycle status lights	Light to indicate what part of the cycle your washer is in. For example, the Soak light turns on when your washer is in the Soak process.
8	Delay button	Press to select a time when you want the cycle to begin. You can set the time up to 24 hours in advance in one-hour increments. The display shows the time when the cycle will start. For more information, see Step 5: (Optional) Set a delayed start on page 25.
9	Soil Level button	

		Press to select the soil level. Different soil levels result in different washing times and wash cycle settings. For more information, see Washer options and settings on page 26.
10	Child lock	Press and hold the Soil Level and Temp buttons at the same time for three seconds to turn on the child lock function. Press and hold these buttons again for three seconds to turn off the function. When the child lock function is turned on, the POWER button that works is the  POWER button and the Soil Level and Temp buttons you use to turn off the child lock.
11	Temp button	Press to select the washing water temperature. The rinse water temperature is always cold.
12	Water Plus button	Press once to increase one higher water level. Press again to cancel this function. If the water level is already set to the highest, the level will not change.
13	Fabric Softener button	Add liquid fabric softener to the fabric softener compartment, then press this button. The fabric softener is added to the cycle at the correct time.

Unpacking your washer

Warning

- Packing materials can be dangerous to children. Keep all packing materials (plastic bags, polystyrene, and so on) well out of the reach of children.
- Do not operate your washer on the foam base cushion. Doing so will result in serious vibration, which could cause equipment damage or result in physical injury.
- Remove the packing box and lift the washer up and away from the foam base cushion. Open the lid of the washer to take out all accessories including the protective foam.



Choosing a location

Warning

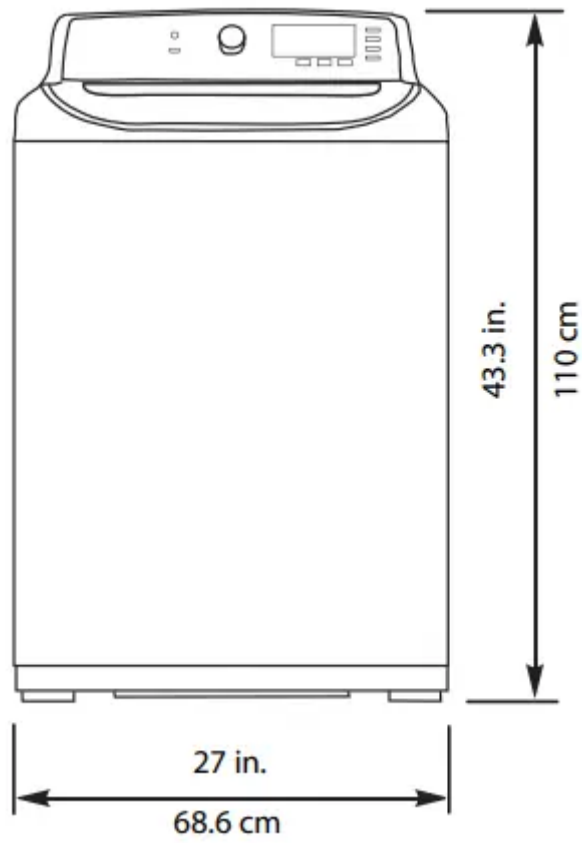
- Do not install your washer in areas where water may freeze, because your washer always retains some water in its water valve, pump, and hose areas. Frozen water can damage the belts, pump, hoses, and other components.
- Never install on a platform or weakly supported structure.

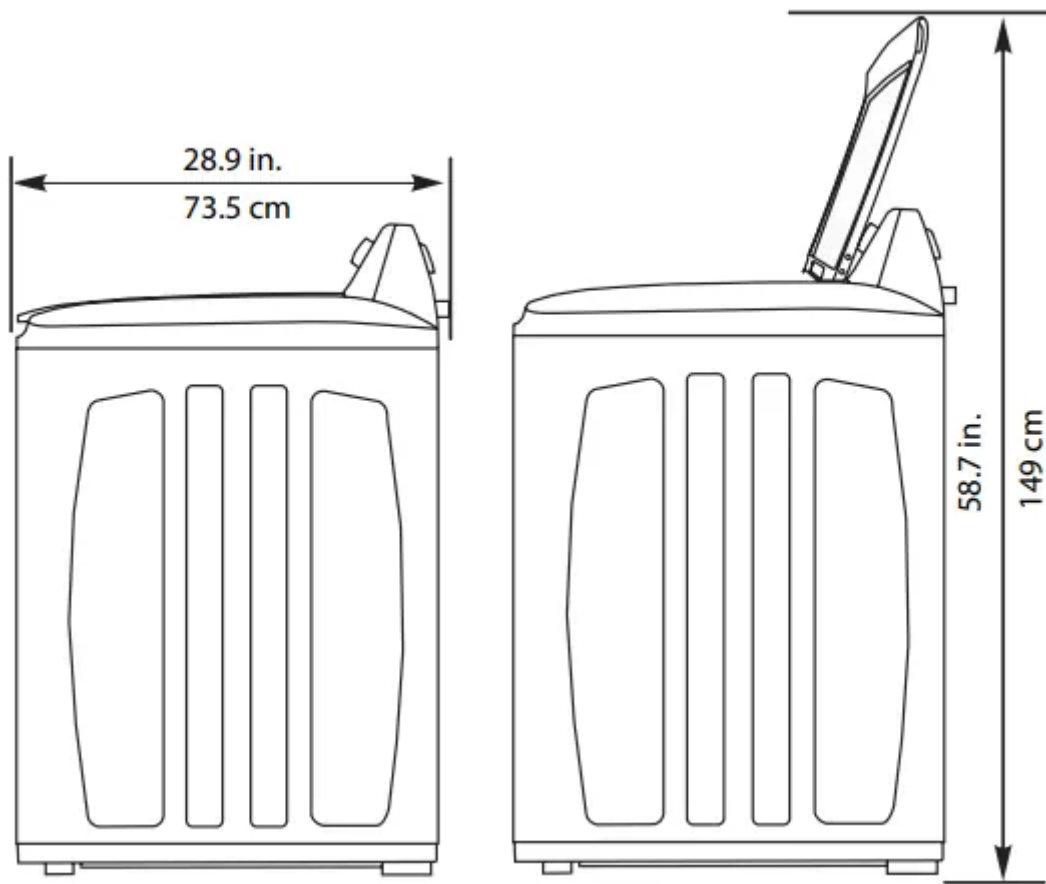
For best performance, you must install your washer on a solid, level floor.

Wooden floors may need to be reinforced to minimize vibration or unbalanced load situations.

Carpeting and soft tile surfaces can contribute to excessive vibration, which can cause your washer to move slightly during the spin cycle.

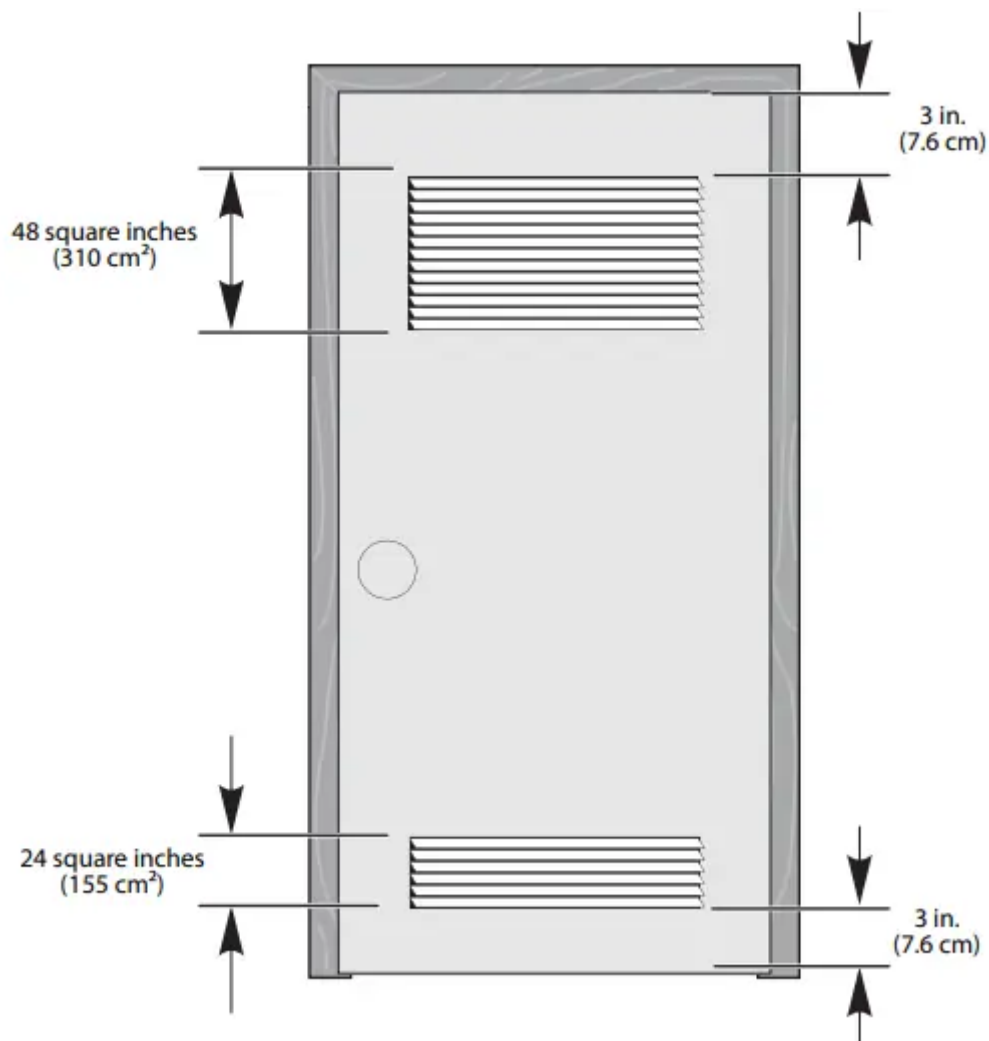
Washer dimensions and installation measurements





If you install your washer in an alcove or closet, the front of the closet must have two unobstructed air openings for a combined minimum total area of 72 sq.in. (465 sq.cm) with a minimum clearance of 3 in. (7.6 mm) at the top and bottom. A slatted door with equivalent space clearance is acceptable.



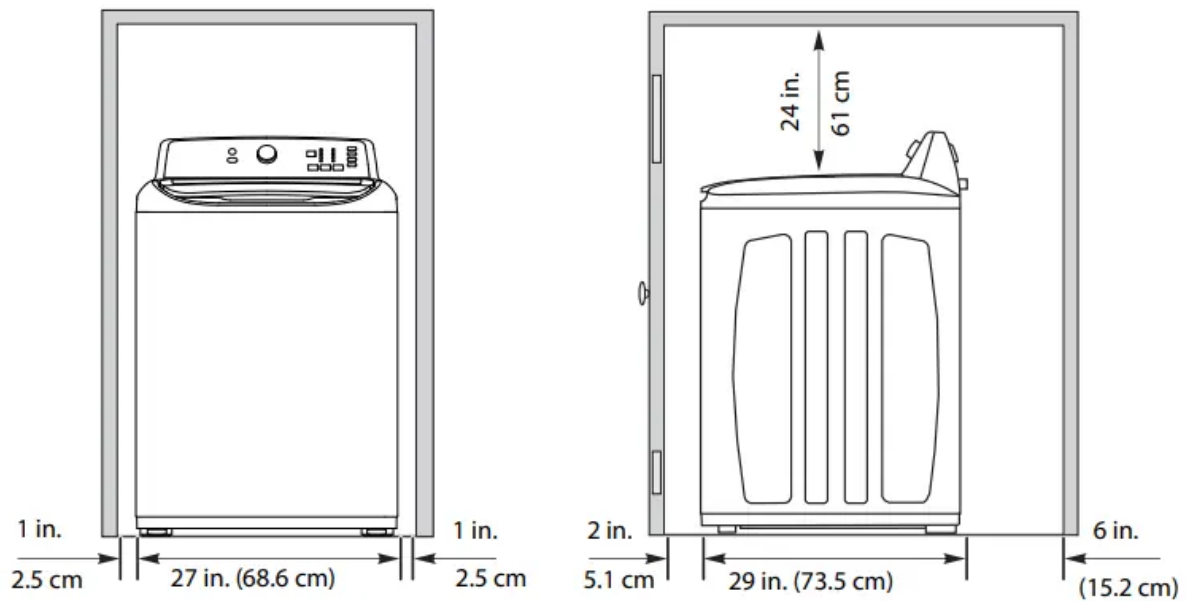


Installing in an alcove or closet

Minimum clearances between your washer and adjacent walls or other surfaces are:

- Either side: 1 in. (2.5 cm)
- Rear: 6 in. (15.2 cm)
- Closet Front: 2 in. (5.1 cm)
- Top: 24 in. (61 cm)
- Gap between the end of water valve and the wall:
 - Case 1: If you connect the supply hose after you install your washer: Over 3.9 in. (10 cm)
 - Case 2: If you connect the supply hose before you install your washer: Over 2.8 in. (7 cm)

If you install your washer and dryer side-by-side in a closet, the closet front must have an unobstructed air opening of at least 72 square inches (465 square cm).



Electrical requirements

Warning To reduce the risk of fire, electric shock, or injury to persons, read the IMPORTANT SAFETY INSTRUCTIONS before operating this appliance.

Use a 120 Volt, 60Hz, 15 amp fuse or circuit breaker. We recommend an individual branch circuit that serves only your washer.

Warning Never use an extension cord.

Electrical grounding is required for your washer.

You must ground your washer. In the event of a malfunction or breakdown, grounding reduces the risk of electric shock by providing a path of least resistance for the electric current. Your washer is equipped with a power cord with a three-pronged grounding plug for use in a correctly installed and grounded outlet.

The outlet must be correctly installed and grounded in accordance with all local codes and ordinances.

Warning

- You are responsible for providing adequate electrical services for your washer.
- An incorrectly connected equipment-grounding conductor can increase the risk of electrical shock. Check with a qualified electrician or serviceman if you are not sure whether your washer is grounded correctly.
- Do not modify the power cord plug that came with your washer. If the plug does not fit the outlet, have the correct type outlet installed by a qualified electrician.
- To prevent unnecessary risk of fire, electrical shock, or personal injury, all wiring and grounding must be done in accordance with the National Electrical Code ANSI/FNPA, No.70 Latest Revision and local codes and ordinances.

- Never connect the ground wire to plastic plumbing lines, gas lines, or hot water pipes.

Water requirements

To fill your washer in the correct amount of time, the water pressure needs to be between 14 and 116 psi (100 to 800 kPa).

If the water pressure is less than 14 psi (100 kPa):

- The water valve may fail or may not shut off completely.
- The time it takes to fill your washer may be longer than the time your washer controls allow. Your washer will turn off and report an error. A time-limit is built into the controls to prevent flooding in your home if a hose becomes loose.
- Water inlet hoses must be purchased separately. You can buy inlet hoses in various lengths up to 8 ft. (240 cm).
- To avoid the possibility of water damage:
 - Make sure that the water faucets are easily accessible.
 - Turn off the faucets when you are not using your washer.
 - Periodically check to make sure that water is not leaking from the water hose fittings.

Drainage requirements

Note

The drain hose is attached to the washer at the factory.

- The recommended height for the drain standpipe is 48 in. (122 cm).
- The drain hose must be routed through the drain hose clip to the standpipe.
- The standpipe must be large enough to accept the outside diameter of the drain hose.

Using your washer

Washing a load of laundry

WARNING – To reduce the risk of fire, electric shock, or injury to persons, read the IMPORTANT SAFETY INSTRUCTIONS before operating this appliance.


Selecting a detergent

Your washer is designed to use high efficiency (HE) detergents.

- For the best cleaning results, use an HE detergent. We recommend that you do not use a regular detergent. HE detergents contain suppressors that reduce or eliminate suds. When fewer suds are produced, the load tumbles more efficiently and cleaning is maximized.

- Reducing the amount of detergent may reduce the quality of cleaning. Make sure that you:
 - Pre-treat stains
 - Sort carefully by color and soil level
 - Avoid overloading

Step 1: Turn on your washer

Press the  /Power button to turn on your washer. Your washer's initial settings are:

- Normal on cycle selector with -- displayed on the digital display
- Medium for the Soil Level
- Warm for the Wash Temp

Step 2: Load your washer

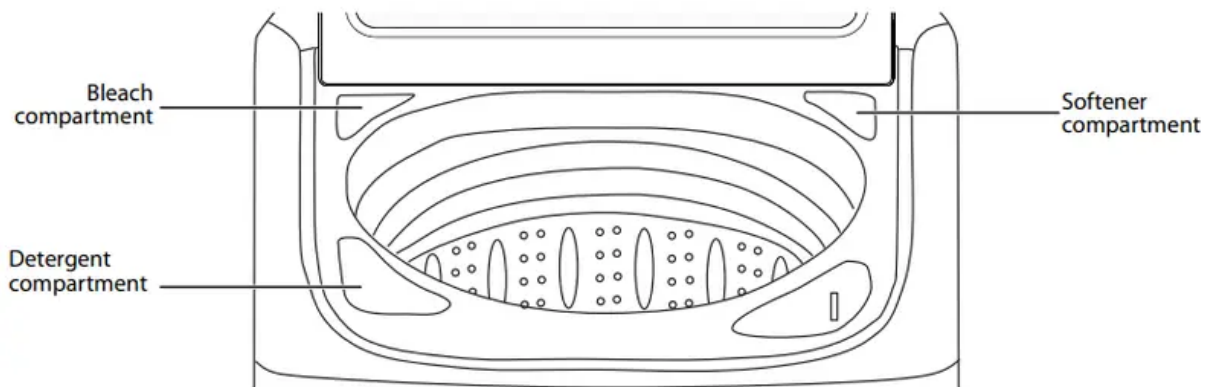
Caution Before loading your laundry, make sure that you remove coins, keys, and other hard objects, and close zippers. These items may damage clothes.

1. Sort laundry by fabric type, soil level, color, and load size. See ONE-YEAR LIMITED WARRANTY on page 31.
2. Fill the tub with dry, unfolded clothes. Load the tub no more than 3/4 full.

Note

- Overloading may reduce washing efficiency, cause excess wear, and possibly cause creasing or wrinkling of the load.
- Wash delicate items such as bras, hosiery, and other lingerie on the Delicates cycle with similar lightweight items.
- Wash wool items (such as wool sweaters) in the Hand Wash cycle.
- When washing big, bulky items (such as rugs or pillows) or a few smaller items (such as stuffed toys or one or two sweaters) that do not fill the tub completely, add a few towels to improve spin performance.
- Always use the Bulky cycle for bulky items.
- When washing heavily soiled loads, do not overload your washer to ensure good cleaning results.

Step 3: Add detergent and additives to the compartments



Loading the liquid or powder detergent compartment

1. Pour the recommended amount of laundry detergent directly into the detergent compartment before starting your washer.
2. If you are using color-safe bleach, add it with the detergent to the detergent compartment.

Note

- When adding color-safe bleach with detergent, both laundry products should be in the same form (liquid).
- If you are using powdered detergent, remove the trays in the detergent compartment.

Loading the bleach compartment (liquid bleach only)

- Add chlorine bleach to the bleach compartment. Do not over-fill the compartment.
- There is no water inlet to the bleach dispenser, so the bleach will directly load into the tub when you pour it in.

Caution

- Avoid splashing or over-filling the compartment.
- Never pour undiluted liquid chlorine bleach directly onto the load or into the tub. Doing so can damage fabrics, by weakening of the fibers or stripping the color.

Note

Do not pour color-safe bleach into the bleach compartment. Instead, add it to the detergent compartment.

Loading the fabric softener compartment

- Pour the recommended amount of liquid fabric softener into the softener compartment. The dispenser automatically releases liquid fabric softener at the correct time during the rinse cycle.

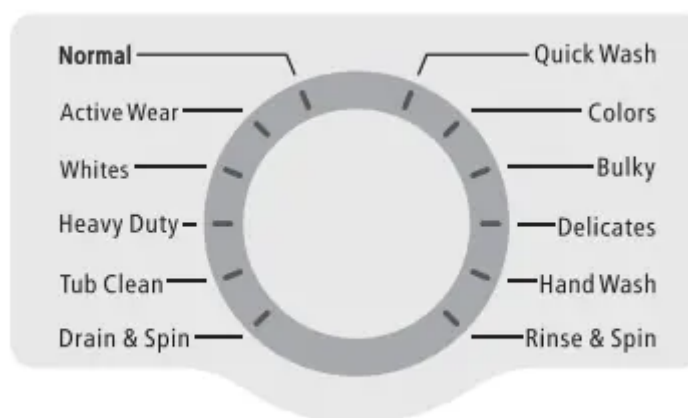
Caution

- Use the softener compartment ONLY for liquid fabric softeners.

- Do not use the Downy Ball® in the fabric softener compartment.
- Do not use liquid fabric softener that is too sticky as it may not mix with the water sufficiently.
- Be sure to select the Fabric Softener option when using fabric softener so that it is released in the rinse portion of the cycle.

Step 4: Select the appropriate cycle and options for the load

1. Turn the cycle selector to select a washing cycle. For information on wash cycles, see Washer options and settings on page 26.

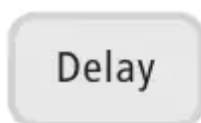


2. Optional: Use the control panel buttons (like Fabric Softener) to customize the washing cycle. For descriptions of buttons, see Control panel on page 9. For information about which buttons are available for each cycle type, see Washer options and settings on page 26.

Step 5: (Optional) Set a delayed start time

You can program a wash cycle, then set a time when you want a wash cycle to begin.

1. Press the Delay button to turn on the delay start time function.



2. Press the Delay button repeatedly to select the delay time you want. The delay start time, in hours, will be shown on the display, in sequence, from 0 to 24, then back to 0. You can also press and hold the Delay button to quickly adjust the time until the desired time appears on the display.

3. If you want to change the wash cycle settings while you are setting the delay start time, turn the cycle selector. To return to setting the delay start time function, repeat Steps 1 and 2.

Notes

- Once the number of delay hours is reached by pushing the Delay button, release the button for three seconds and it will be set. The Delay light will remain on.
- After the delay time is set, if you wish to change the delay setting, press the Delay button again until the desired hour is reached. Release the button for three seconds and it will be set.
- If you decide to cancel the delay setting, you can either turn the cycle selector or push the Delay button until 0 is reached.
- Ideally, you should set your cycle before setting the Delay, because turning the cycle selector after the Delay is set cancels the delay.
- The Delay Start Time cannot be changed after the program has started.

4. To cancel the delay start time function before you save the setting, press the Delay button until 0 appears on the display, or turn the cycle selector knob.

Step 6: Start your washer

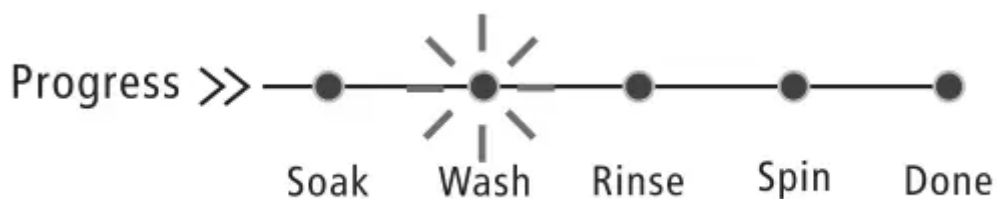
1. Press the ▶||/Start Pause button.



Note

If you have not set a delayed start time or if the delay time has expired, your washer starts the cycle and the Wash light turns on.

As your washer moves from stage to stage in the wash cycle, the related light turns on (such as Rinse or Spin).

If you set a delayed start time, the Delay light turns on and your washer starts counting down the start time.

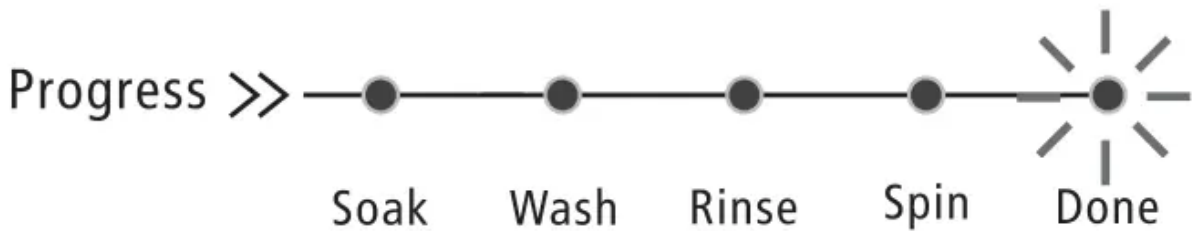


2. If you need to pause the cycle (for example to add or remove items or adjust the load), press the /Start Pause button, then open the lid. Your washer stops. When you are ready to resume washing, close the door, then press the /Start Pause button.

Step 7: Unload your laundry


When the wash cycle is complete:

- The Done light turns on
- Your washer beeps six times and flashes 11, 22, 33, 44, 55, 66 after the cycle is done.
- Your washer unlocks the lid



- Open the lid and remove the laundry.

Setting the child lock

Your washer has a child lock function to prevent children from playing with your washer. When you turn on the child lock, the only buttons that work are the  /Power button and the Soil Level and Temp buttons you use to turn off the child lock.

1. Press and hold both the Soil Level and Temp buttons for three seconds. The child lock light turns on.



2. To turn off the child lock, press and hold both the Soil Level and Temp buttons for three seconds.

Washer options and settings

- Maximum load weight = 16.06 lbs. (7.28 kg) (Dry clothes)
- Bolded options are initial settings. • (dots) indicate optional functions you can select.

Cycle	Fabric type	Soil level options	Temp options	Delay	Soak	Extra rinse	Fabric softener	Water Plus
Normal	Cotton Linen Towels Shirts Sheets Jeans Mixed loads	Extra Heavy Heavy Medium Light Extra Light	Hot Warm Eco Warm Cold Tap Cold	●	●	●	●	●
Active Wear	Active wear	Heavy Medium Light Extra Light	Hot Warm Eco Warm Cold Tap Cold	●	●	●	●	●
Whites	White fabrics	Medium Light Extra Light	Hot Warm Eco Warm Cold Tap Cold	●	●	●	●	●

Cycle	Fabric type	Soil level options	Temp options	Delay	Soak	Extra rinse	Fabric softener	Water Plus
Heavy Duty	Heavily soiled cotton fabrics	Extra Heavy Heavy Medium Light	Hot Warm Eco Warm Cold Tap Cold	●	●	●	●	●
Tub Clean	See page 28	Extra Heavy	Hot	●				
Drain&Spin								
Rinse & Spin			Tap Cold	●			●	●
Hand Wash		Medium Light Extra Light	Hot Warm Eco Warm Cold Tap Cold	●	●	●	●	●
Delicates	Dress shirts Blouses Nylons Sheer/lacy	Heavy Medium Light Extra Light	Hot Warm Eco Warm Cold Tap Cold	●	●	●	●	●

Bulky	Large items like blankets and comforters	Extra Heavy Heavy Medium Light Extra Light	Hot Warm Eco Warm Cold Tap Cold	●	●	●	●	●
Colors	Cotton Linen Towels Shirts Sheets Jeans Mixed loads	Heavy Medium Light Extra Light	Warm Eco Warm Cold Tap Cold	●	●	●	●	●
Quick Wash	Lightly soiled and small loads	Medium Light Extra Light	Hot Warm Eco Warm Cold Tap Cold	●	●	●	●	●

Maintaining your washer

Cleaning the exterior

- Use a soft cloth to wipe up all detergent, bleach, or other spills as they occur.

Cleaning the interior

- Clean the interior of your washer periodically to remove any dirt, soil, odor, mold, mildew, or bacterial residue that may remain in your washer as a result of washing clothes.
- Failure to follow these instructions may result in unpleasant conditions, including odors or permanent stains in your washer or on your laundry.
- To remove hard water deposits, use a cleaner labeled “Washer safe.”

Cleaning the control panel

- Clean with a soft, damp cloth. Do not use abrasive powders or cleaning pads.
- Do not spray cleaners directly on the panel. The control panel finish may be damaged by some laundry pre-treatment soil and stain remover products. Apply such products away from your washer and wipe up any spills or over-spray immediately

Cleaning the detergent, bleach, or softener compartment



1. To remove laundry product residue, wipe with a damp cloth and towel dry.
2. You can remove the detergent and softener compartments to clean them. However, the bleach compartment is not removable, so you must flush the compartment while it is in your washer.

Cleaning the tub

The Tub Clean cycle is a self-cleaning cycle that removes the causes of odors that may occur inside your washer without using a cleaning agent. We suggest cleaning the tub about once a month.

Caution

Never use the Tub Clean cycle when laundry is in your washer. This may damage the laundry or your washer.

1. With the tub empty, add one cup of chlorine bleach to the bleach dispenser.
2. Press the  Power button.
3. Turn the cycle selector to Tub Clean. When you select Tub Clean, the only options you can change is the Delay option.
4. Press the /Start Pause button.

Storing your washer

You can damage your washer if you do not remove water from hoses and internal components before storage.

To prepare your washer for storage:

1. Select the Quick Wash cycle and add bleach to the washer. Run your washer through the cycle without a load.
2. Turn the water faucets off and disconnect the inlet hoses.
3. Unplug your washer from the electrical outlet and leave your washer lid open to let air circulate inside the tub.


Caution


If your washer has been stored in below-freezing temperatures, allow time for any leftover water in your washer to thaw out before use.

Troubleshooting




Caution

Do not try to repair your washer yourself. Doing so invalidates the warranty

PROBLEM	SOLUTION
Washer does not start	<ul style="list-style-type: none"> • Make sure that your washer is plugged in. • Make sure that the lid is closed. • Make sure that the water source faucets are open. • Make sure that you press the /Start Pause button to start your washer. • Before your washer starts to fill, it makes a series of clicking noises to make sure that the lid is locked and to do a quick drain. • Make sure that the Child Lock is not activated. See Setting the child lock on page 26. • Make sure that the Delay option is not turned on. See Step 5: (Optional) delayed start time on page 25. • Check the fuse or reset the circuit breaker.
No water or not enough water Detergent or softener is still in its compartment after the wash cycle is completed	<ul style="list-style-type: none"> • Make sure that both faucets are fully turned on. • Make sure that the water pressure is in the range listed in Water requirements on page 15. • Make sure that the water inlet hoses are not kinked. Straighten if necessary. • Disconnect the hoses and clean the screens. The hose filter screens may be clogged.
Washer vibrates or is too noisy	<ul style="list-style-type: none"> • Make sure that your washer is set on a level surface. If the surface is not level, adjust your washer's feet to level your washer. • Make sure that your washer is not touching any other object. • Make sure that the laundry load is balanced. • During the spin process, if clothes are piled to one side of the tub, your washer may stop because of the imbalance. Your washer tries up to three times to solve the problem automatically. If the washer cannot solve the problem, try to manually redistribute clothes inside the tub.

Washer stops	<ul style="list-style-type: none">• Make sure that the power outlet is a working outlet.• Check the fuse or reset the circuit breaker.• Close the lid, then press the /Start Pause button to start your washer. For your safety, your washer does not spin unless the lid is closed.• Before your washer starts to fill, it makes a series of clicking noises to make sure that the lid is locked and to do a quick drain.• Sometimes your washer may pause between stages in the cycle. Wait to see if your washer starts again.• Disconnect the inlet hoses and clean the screens periodically. The hose screens may be clogged.
--------------	--



<p>Lid is locked or will not open</p>	<ul style="list-style-type: none"> • Press the  Start Pause button to pause the washer. You cannot open the lid while the washer is running. • After you pause the washer, it may take a few seconds for the lid lock to release. • If the lid is locked when your washer is not running, press the  Power button to turn on your washer. • If power fails while your washer is running, when power is restored, the lid unlocks. Your washer waits three minutes, then runs the rest of the cycle.
<p>Washer does not drain or spin</p>	<ul style="list-style-type: none"> • Check the fuse or reset the circuit breaker. • Close the lid, then press the  Start Pause button to start your washer. For your safety, your washer does not spin unless the lid is closed. • Make sure that the drain hose is not kinked. Straighten as necessary. • Make sure that the height of the drain hose is within specified limits. See Drainage requirements on page 15. • The pipes to your sewer system may be clogged. Contact a plumber or qualified repair professional.
<p>The water temperature is not correct</p>	<ul style="list-style-type: none"> • Make sure that you have selected the correct temperature. • Make sure that the water source faucets are fully opened. • Make sure that the hoses are connected to the correct faucet and water inlet connections on your washer, then flush the lines. See Step 2: Connect the water hoses on page 16. • Disconnect the hoses and clean the screens. The hose filter screens may be clogged.
<p>Load is too wet at the end of the cycle</p>	<ul style="list-style-type: none"> • Use a high-efficiency detergent to reduce over-sudsing. See Selecting the right detergent on page 23. • The load may be too small. Very small loads (one or two items) may be unbalanced and not spin out completely.
<p>Water leaks</p>	<ul style="list-style-type: none"> • Make sure that all hose connections are tight. See Step 2: Connect the water hoses on page 16 and Step 3: Connect the drain hose on page 19. • Make sure that the end of the drain hose is correctly inserted and secured to the drainage system. See Step 3: Connect the drain hose on page 19. • Avoid overloading.




	<ul style="list-style-type: none"> • Use a high-efficiency detergent to reduce over-sudsing. See Selecting a detergent on page 23.
Load has too many suds	<ul style="list-style-type: none"> • Use a high-efficiency detergent to reduce over-sudsing. See Selecting a detergent on page 23. • If you have "soft" water, reduce the amount of detergent. • For small or lightly soiled loads, reduce the amount of detergent.
Washer has an odor	<ul style="list-style-type: none"> • Periodically run a Tub Clean cycle to clean the tub. See Cleaning the tub on page 28. • Use a high-efficiency detergent to reduce over-sudsing. Excessive suds collect in nooks and crannies and cause odor. See Selecting a detergent on page 23. • Dry the interior of your washer after the total cycle has finished.

Understanding the error codes

Your washer is equipped with an automatic error-monitoring system to detect and diagnose problems at an early stage.

ERROR CODE	POSSIBLE CAUSE	SOLUTIONS
E1	Your washer takes more than 30 minutes to fill with water. After water finishes entering your washer, the water level has not changed in five minutes.	<ul style="list-style-type: none"> • Make sure that the lid is not open. • Make sure that water is not leaking. See No. water or not enough water on page 28. • Contact Insignia Customer Care.
E2	The unit takes more than 10 minutes to drain.	<ul style="list-style-type: none"> • See Washer does not drain or spin on page 29.
E3	The lid is open.	<ul style="list-style-type: none"> • Close the lid. • The door lock or PCB is failed. Contact Insignia Customer Care.
E4	Your washer is out of balance more than three times in spin operation.	<ul style="list-style-type: none"> • See Washer vibrates or is too noisy on page 28. • Contact Insignia Customer Care.
F2	The EEPROM failed.	<ul style="list-style-type: none"> • Contact Insignia Customer Care.
F5	Load sensing failed.	<ul style="list-style-type: none"> • Contact Insignia Customer Care.
F8	Water level sensor failed.	<ul style="list-style-type: none"> • Contact Insignia Customer Care.
Fd	Lid lock failed.	<ul style="list-style-type: none"> • Contact Insignia Customer Care.
C9	The PCB failed.	<ul style="list-style-type: none"> • Contact Insignia Customer Care.

CL	The lid has been open for over 20 seconds with the Child Lock function activated.	<ul style="list-style-type: none">• Press the  Power button to turn off your washer.• Turn off the Child Lock function. See Setting the child lock on page 26.• Contact Insignia Customer Care.
-----------	---	---

Warning

This content is compiled from multiple sources and is provided for reference purposes only. It may not be complete or fully applicable to all situations. If you are unable to resolve your issue, please contact the product manufacturer or an authorized service provider for official support.

