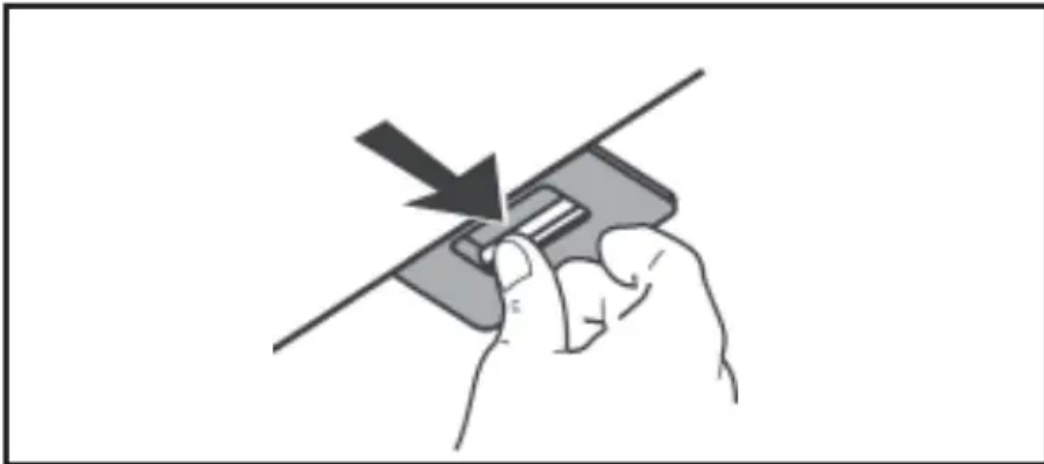
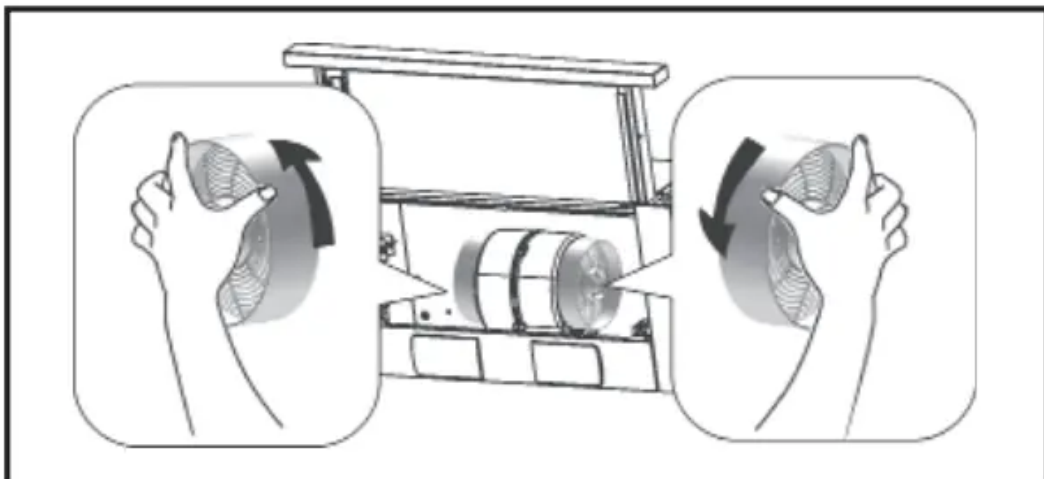


MAINTENANCE

Clean grease filters in relation to use, at least every 2 months to prevent the risk of fire. Hand wash or clean in a dishwasher using a neutral detergent. If washing in the dishwasher, possible discoloration of the filters does not in any way compromise their functioning.



The activated charcoal filter is not washable and cannot be regenerated, and must be replaced approximately every 4 months of operation, or more frequently for particularly heavy usage.



CONTROLS

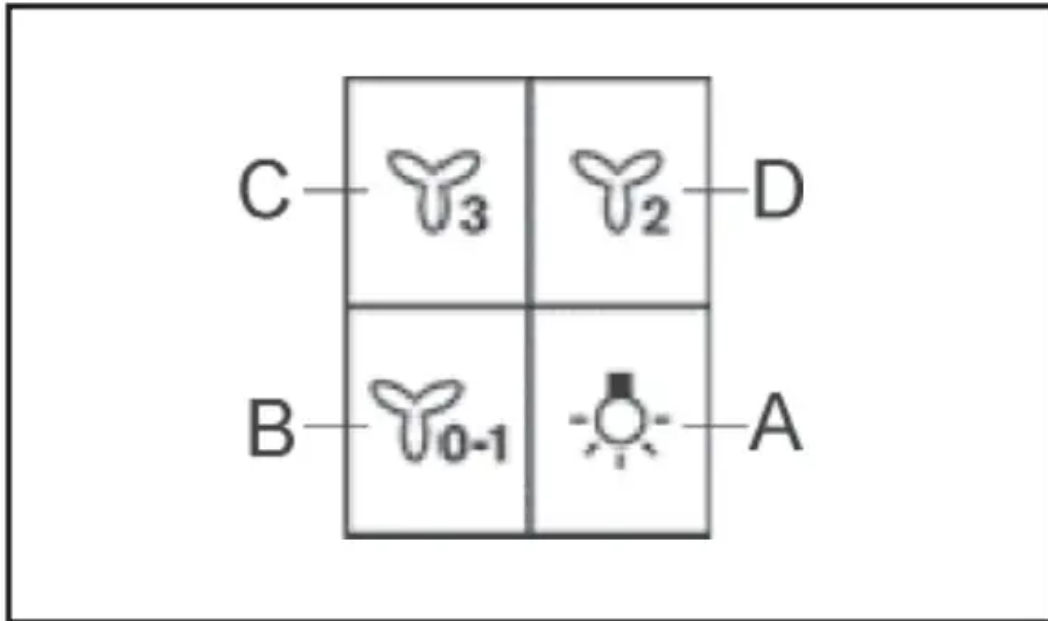
Key A: light switch.

Key B: first speed motor ON/OFF switch.

Key C: second speed switch.

Key D: third speed switch.

The opening/closing of the telescopic slide regulates the Motor On/OFF.



INSTALLATION METHODS

FILTERING OR DUCTING VERSION ? The hood may be in filtering or in ducting version. Decide from the outset which type is to be installed.

For better efficiency, we recommend installing the hood in the ducting version (if possible).



Ducting version The hood purifies the air and evacuates it to the outside through an exhaust duct.



Filtering version The hood purifies the air and recycles the clean air back into the room.

LIGHTING

Disconnect the hood from the electricity.



SAFETY INFORMATION

Before the installation and use of the appliance, carefully read the supplied instructions. The manufacturer is not responsible for any injuries or damages that are the result of incorrect installation or usage. Always keep the instructions in a safe and accessible location for future reference.

1.1 Children and vulnerable people safety

- This appliance can be used by children aged from 8 years and above and persons with reduced physical, sensory or mental capabilities or lack of experience and knowledge if they have been given supervision or instruction concerning the use of the appliance in a safe way and understand the hazards involved.
 - Children between 3 and 8 years of age and persons with very extensive and complex disabilities shall be kept away unless continuously supervised.
 - Children of less than 3 years of age should be kept away unless continuously supervised.
 - Do not let children play with the appliance.
 - Keep all packaging away from children and dispose of it appropriately.
 - Keep children and pets away from the appliance when it operates.
 - Children shall not carry out cleaning and user maintenance of the appliance without supervision.
- ### 1.2 General Safety
- This appliance is intended for domestic use above hobs, cookers and similar cooking devices.
 - Before carrying out any maintenance, disconnect the appliance from the power supply.

- CAUTION: Accessible parts may become hot during use with cooking appliances.
- Use only the fixing screws supplied with the appliance if not supplied, use the screws recommended in the installation instructions.
- Do not use adhesives to fix the appliance.
- The minimum distance between the hob surface on which the pans stand and the lower part of the gas appliance shall be at least 65 cm, unless otherwise specified in the installation instructions. If the hob installation instructions specify a greater distance, it must be taken into account.
- The discharge of air must comply with local authorities' regulations.
- Ensure good air ventilation in the room where the appliance is installed to avoid the backflow of unwanted gases into the room from appliances burning gas or other fuels, including open fires.
- Make sure that the ventilation openings are not blocked and the air collected by the appliance is not conveyed into a duct used to exhaust smoke and steam from other appliances (central heating systems, thermosiphons, water-heaters, etc.).
- When the appliance operates with other appliances the maximum vacuum generated in the room should not exceed 0.04 bar.
- Make sure not to cause damage to the main cable. Contact our Authorised Service Centre or an electrician to change a damaged mains cable.
- If the appliance is connected directly to the power supply, the electrical installation must be equipped with an isolating device that allows disconnecting the appliance from the mains at all poles. Complete disconnection must comply with conditions specified in the overvoltage category III. The means for disconnection must be incorporated in the fixed wiring in accordance with the wiring rules.
- Do not flambé under the appliance.
- Do not use to exhaust hazardous or explosive materials and vapors.
- Clean the appliance regularly to prevent the deterioration of the surface material.
- Clean the appliance with a soft cloth regularly.
- Do not use a steam cleaner, water spray, harsh abrasive cleaners or sharp metal scrapers to clean the surface of the appliance. Use only neutral detergents.

- Clean grease filters regularly (at least every 2 months) and remove grease deposits from the appliance to prevent the risk of fire.
- Use a cloth or brush to clean the interior of the appliance.

SAFETY INSTRUCTIONS


Installation

- Only a qualified person must install this appliance.
- Do not install or use a damaged appliance.
- Follow the installation instructions supplied with the appliance.
- Always take care when moving the appliance as it is heavy. Always use safety gloves and enclosed footwear.
- Before installing the appliance remove all the packaging, the labeling and the protective film.
- Do not install the exhaust air into a wall cavity, unless the cavity is designed for that purpose.

Electrical connection

- All electrical connections should be made by a qualified electrician.
- Make sure that the parameters on the rating plate are compatible with the electrical ratings of the mains power supply.



- If the symbol () is not printed on the rating plate, the appliance must be earthed.
- Always use a correctly installed shockproof socket.
- Do not let the electricity mains cable tangle.
- Do not use multi-plug adapters and extension cables.
- If the mains socket is loose, do not connect the mains plug.
- Do not pull the mains cable to disconnect the appliance. Always pull the mains plug.
- The shock protection of live and insulated parts must be fastened in such a way that it cannot be removed without tools.
- Make sure the appliance is installed correctly. Loose and incorrect electricity mains cable can make the terminal become too hot.
- Connect the appliance at the end of the installation. Make sure that there is access to the mains after the installation.

Use

- This appliance is for cooking purposes only. Do not use the appliance for other purposes.
- Do not change the specification of this appliance.
- Do not operate the appliance with wet hands or when it has contact with water.
- Use only the accessories supplied with the appliance.
- Keep flames or heated objects away from fats and oils during cooking and frying.
- Do not use uncovered electric grates.
- Do not use the appliance as a storage surface.
- Do not use magnifying glasses, binoculars or similar optical devices to look directly at the lighting of the appliance.

Service

- To repair the appliance contact an Authorised Service Centre.
- Use original spare parts only

Disposal

- Contact your municipal authority for information on how to discard the appliance correctly.
- Disconnect the appliance from the main supply.
- Cut off the main electrical cable close to the appliance and dispose of it.

Warning

This content is compiled from multiple sources and is provided for reference purposes only. It may not be complete or fully applicable to all situations. If you are unable to resolve your issue, please contact the product manufacturer or an authorized service provider for official support.