

## OPERATING INSTRUCTIONS

### About the dryer control panel.

#### WARNING!

To reduce the risk of fire, electric shock, or injury to persons, read the IMPORTANT SAFETY INSTRUCTIONS before operating this appliance.

#### WARNING Explosion Hazard

Keep flammable materials and vapors, such as gasoline, away from dryer.

DO NOT dry anything that has ever had anything flammable on it (even after washing).

Failure to do so can result in death, explosion, or fire.

#### WARNING Fire Hazard

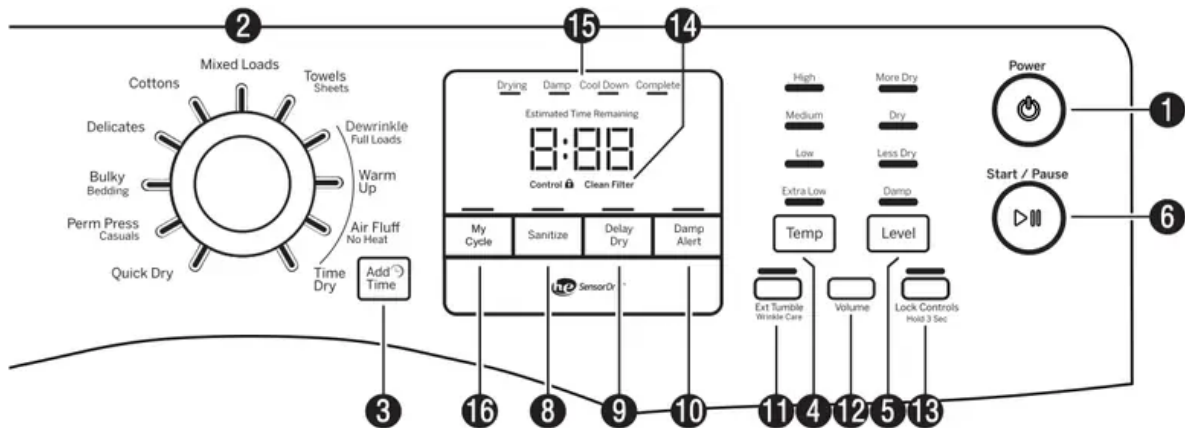
No washer can completely remove oil.

Do not dry anything that has ever had any type of oil on it (including cooking oils).

Items containing foam, rubber, or plastic must be dried on a clothesline or by using an air dry cycle.

Failure to follow these instructions can result in death or fire.

Throughout this manual, features and appearance may vary from your model.



### Control settings.

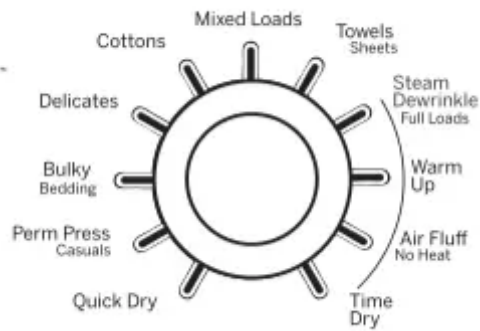
#### Quick Start

**1**

Press the Power button. If the screen is dark, a press of the Power button will “wake up” the display.



- 2** Select a dry cycle. (Defaults are set for each cycle. These default settings can be changed. See Control settings for more information.)



- 3** Press the Start/Pause button.



## **1** Power

Press to “wake up” the display. If the display is active, press to turn the dryer off. NOTE: Pressing Power does not disconnect the appliance from the power supply.


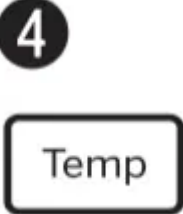

## **2** Dry Cycles






The dry cycle controls the length and tumble speed of the drying process. The chart below will help you match the dry setting with the loads.



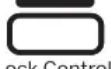
<b>Mixed Loads</b>	For loads consisting of cottons and poly-blends.
<b>Cottons</b>	For cottons and most linens.
<b>Delicates</b>	For lingerie and special-care fabrics.
<b>Bulky/ Bedding or Bulky Items</b>	For large coats, bed spreads, mattress covers, sleeping bags, blankets, comforters, jackets, small rugs, and similar large and bulky items.
<b>Perm Press/ Casuals</b>	Clothing worn for active sports exercise and some casual wear. Fabrics include new technology finishes and stretch fibers such as Spandex. Also for clothing labeled Easy Care or Perma Press: For wrinkle-free and permanent press items.
<b>Quick Dry</b>	For small loads that are needed in a hurry, such as sports or school uniforms. Can also be used if the previous cycle left some items damp, such as collars or waistbands.
<b>Towels/Sheets</b>	Use for towels OR sheets. It is not recommended to mix towels and sheets in the same load.
<b>Steam Dewrinkle  Full Loads (on some models)</b>	Provides 20 minutes of steam drying to assist with dewrinkling clothes. Ideal for loads left in dryer for an extended time.
<b>Dewrinkle  Full Loads (on some models)</b>	Provides 20 minutes of drying to assist with dewrinkling items that are dry or slightly damp. This cycle is not recommended for delicate fabrics.
<b>Warm Up</b>	Provides 10 minutes of warming time to warm up clothes.
<b>Air Fluff/No Heat</b>	Provides 10 minutes of tumbling time without heat.
<b>Time Dry</b>	Use to set your own dry time. Time Dry is also recommended for small loads. To use: <ol style="list-style-type: none"> <li>1. Turn dry cycle dial to Time Dry.</li> <li>2. Increase the drying time by pressing the Add Time button.</li> </ol>



**Note:** This button only increases the time. When max time is reached, pressing the button again will reset the counter to the lowest setting.

3. Select the Temp.
4. Close the door.
5. Press Start/Pause.

	<p><b>Add Time</b></p> <p>Press to add time to the Steam Dewrinkle, Dewrinkle, Warm Up, Air Fluff or Time Dry cycles in 10 minute increments.</p>								
	<p><b>Temp</b></p> <p>You can change the temperature of your dry cycle.</p> <table border="1" data-bbox="655 533 1417 981"> <tr> <td><b>High</b></td> <td>For regular to heavy cottons.</td> </tr> <tr> <td><b>Medium</b></td> <td>For synthetics, blends and items labeled Permanent Press.</td> </tr> <tr> <td><b>Low</b></td> <td>For delicates, synthetics and items labeled Tumble Dry Low.</td> </tr> <tr> <td><b>Extra Low</b></td> <td>For lingerie and special-care fabrics.</td> </tr> </table>	<b>High</b>	For regular to heavy cottons.	<b>Medium</b>	For synthetics, blends and items labeled Permanent Press.	<b>Low</b>	For delicates, synthetics and items labeled Tumble Dry Low.	<b>Extra Low</b>	For lingerie and special-care fabrics.
<b>High</b>	For regular to heavy cottons.								
<b>Medium</b>	For synthetics, blends and items labeled Permanent Press.								
<b>Low</b>	For delicates, synthetics and items labeled Tumble Dry Low.								
<b>Extra Low</b>	For lingerie and special-care fabrics.								
	<p><b>Level</b></p> <p>The sensor continuously monitors the amount of moisture in the load. When the moisture in your clothes reaches your selected dry level, the dryer will stop.</p> <p><b>NOTE:</b> Sensor dry Level only works with Cottons, Normal, Perm Press, Delicates, Quick Dry, Bulky, Towels/Sheets, Dewrinkle and Steam Dewrinkle cycles.</p> <table border="1" data-bbox="655 1435 1417 1928"> <tr> <td><b>More Dry</b></td> <td>Use for heavy or mixed type of fabrics.</td> </tr> <tr> <td><b>Dry</b></td> <td>Use for normal dryness level suitable for most loads. This is the preferred cycle for energy saving.</td> </tr> <tr> <td><b>Less Dry</b></td> <td>Use for lighter fabric (ideal for ironing).</td> </tr> <tr> <td><b>Damp</b></td> <td>For leaving items partially damp.</td> </tr> </table>	<b>More Dry</b>	Use for heavy or mixed type of fabrics.	<b>Dry</b>	Use for normal dryness level suitable for most loads. This is the preferred cycle for energy saving.	<b>Less Dry</b>	Use for lighter fabric (ideal for ironing).	<b>Damp</b>	For leaving items partially damp.
<b>More Dry</b>	Use for heavy or mixed type of fabrics.								
<b>Dry</b>	Use for normal dryness level suitable for most loads. This is the preferred cycle for energy saving.								
<b>Less Dry</b>	Use for lighter fabric (ideal for ironing).								
<b>Damp</b>	For leaving items partially damp.								
	<p><b>Start/Pause</b></p>								

<p><b>6</b></p>  <p>Start / Pause</p>	<p>Press to start a dry cycle. If the dryer is running, press it once and it will pause the dryer. Press it again to resume the dry cycle.</p>
<p><b>7</b></p>  <p>Steam Refresh 2-5 Items</p>	<p><b>Steam Refresh Cycle (on some models)</b></p> <p>For slightly wrinkled dry garments. Significantly reduces wrinkles on up to 5 garments. After the Steam Refresh Cycle, the unit will beep and display “0:00.” If the unit is not turned off or if the door is not opened, the dryer will continue to tumble for 30 minutes. At the end of 30 minutes, it will display “0:00” and the cycle will be complete.</p> <p><b>NOTE:</b> A single extremely light fabric item may need to have an additional item included to achieve optimum results.</p>
<p><b>8</b></p>  <p>Sanitize</p>	<p><b>Sanitize</b></p> <p>This option reduces certain types of bacteria by 99.8%, including: Staphylococcus aureus, Pseudomonas aeruginosa and Klebsiella pneumoniae. The anti-bacterial process occurs when high heat is used during a portion of the drying cycle.</p> <p><b>NOTE:</b> Do not use this cycle on delicate fabrics.</p>
<p><b>9</b></p>  <p>Delay Dry</p>	<p><b>Delay Dry</b></p> <p>Use to delay the start of your dryer.</p> <ol style="list-style-type: none"> <li>1. Choose your dry cycle and any options.</li> <li>2. Press Delay Dry. You can change the delay time in 1 hour increments up to 24 hours, using the Delay Dry button.</li> <li>3. Press the Start/Pause button to start the countdown.</li> </ol> <p><b>NOTE:</b> If the door is opened while the dryer is in Delay Dry, the countdown time will not restart unless the door is closed and Start/Pause button has been pressed again.</p>
<p><b>10</b></p>  <p>Damp Alert</p>	<p><b>Damp Alert</b></p> <p>This option causes the dryer to beep when clothes have dried to a damp level. Remove items that you wish to hang dry. The Damp Alert will only beep when this option is selected, and the dryer will continue to dry.</p> <p>Removing clothes and hanging them when they are damp can reduce the need to iron some items.</p>

<p><b>11</b></p>  <p>Ext Tumble Wrinkle Care</p>	<p><b>Ext Tumble/Wrinkle Care</b></p> <p>Minimizes wrinkles by adding approximately 60 minutes of no-heat tumbling after clothes are dry. The beeper will sound every five minutes as a reminder to remove the clothes.</p> <p>The estimated time remaining display will show “0:00”.</p> <p>The extended tumble time does not get added to the cycle time on the display.</p>
<p><b>12</b></p>  <p>Volume</p>	<p><b>Volume</b></p> <p>Alerts you that the cycle is complete. The beeper will continue to sound every minute for the next 5 minutes, until the clothes have been removed. The clothes should be removed when the beeper goes off so wrinkles don't set in.</p> <p>Press Volume to select low, medium or high volume, or to turn the beeper off.</p> <p>To turn on or off the sounds the buttons make when pressed, press and hold the Volume button for 3 seconds.</p>
<p><b>13</b></p>  <p>Lock Controls Hold 3 Sec</p>	<p><b>Lock Control</b></p> <p>You can lock the controls to prevent any selections from being made. Or you can lock or unlock the controls after you have started a cycle.</p> <p>Children cannot accidentally start the dryer by touching buttons with this option selected.</p> <p>To lock the dryer, press and hold the Lock Control button for 3 seconds.</p> <p>To unlock the dryer controls, press and hold the Lock Control button for 3 seconds.</p> <p>A sound is made to indicate the lock/unlock status.</p> <p>The indicator light above the button will illuminate when the controls are locked.</p> <p><b>NOTE:</b> The Power button can still be used when the machine is locked.</p>
<p><b>14</b></p> <p><b>Clean Filter</b></p>	<p><b>Clean Filter Message</b></p> <p>This message represents only a reminder and does not always appear when the filter needs cleaning. The filter should be cleaned after every drying cycle is complete.</p>

	<p>This message will disappear after the Start/ Pause button is pressed. Even though you may have already cleaned the filter (before or after the Power button has been pressed), the “Clean Filter” message will still be displayed until the Start/Pause button is activated.</p>
<p><b>15</b></p> 	<p><b>Display</b></p> <p>Displays the approximate time remaining until the end of the cycle.</p> <p>As the cycle begins, you will see an initial approximate total cycle time in the display.</p> <p>Then lights will “race” in the display. This means the dryer is continuously monitoring the amount of moisture in the load. The lights will continue until the dryer senses a low level of moisture in the load. At that point, the dryer will calculate and display the approximate time remaining.</p>
<p><b>16</b></p> 	<p><b>My Cycle (on some models)</b></p> <p>Set up your favorite combination of settings and save them here for one touch recall. These custom settings can be set while a cycle is in progress.</p> <p>To store a My Cycle combination of settings:</p> <ol style="list-style-type: none"> <li>1. Select your drying cycle.</li> <li>2. Change Temp and Level settings to fit your needs.</li> <li>3. Select any drying options you want.</li> <li>4. Press and hold the My Cycle button for 3 seconds to store your selection. A beep will sound and the button will light up.</li> </ol> <p>To recall your stored My Cycle combination: Press the My Cycle button before drying a load. To change your stored My Cycle combination: Repeat steps 1–4.</p>

## Using the dryer.

Always follow the fabric manufacturer’s care label when laundering.

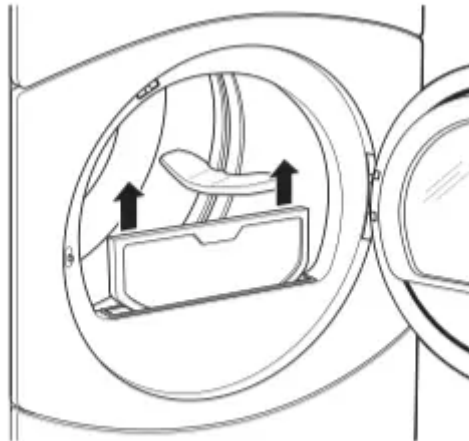
### Sorting and Loading Hints

As a general rule, if clothes are sorted properly for the washer, they are sorted properly for the dryer. Try also to sort items according to size. For example, do not dry a sheet with socks or other small items.

Do not add fabric softener sheets once the load has become warm. They may cause fabric softener stains. Bounce<sup>®</sup> Fabric Conditioner Dryer Sheets have been approved for use in this dryer when used in accordance with the manufacturer's instructions.

Do not overload. This wastes energy and causes wrinkling.

## Care and Cleaning of the Dryer



**The Lint Filter:** Clean the lint filter before each use.

Pull out the lint filter. Moisten your fingers and remove the captured lint. Once clean, slide the filter back into position. Have a qualified technician vacuum the lint from the dryer once a year.

NEVER OPERATE THE DRYER WITHOUT ITS FILTER IN PLACE.

**Stainless Steel:** To clean stainless steel surfaces use a damp cloth with a mild, nonabrasive cleaner suitable for stainless steel surfaces. Remove the cleaner residue and then dry with a clean cloth.

The stainless steel used to make the dryer drum provides the highest reliability available in a GE Appliances dryer. If the dryer drum should be scratched or dented during normal use, the drum will not rust or corrode. These surface blemishes will not affect the function or durability of the drum.

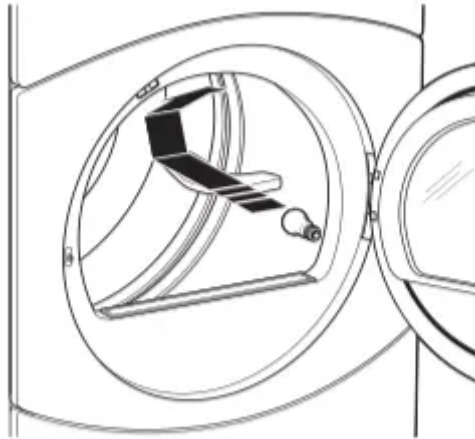
**The Exterior:** Wipe or dust any spills or washing compounds with a damp cloth. Dryer control panel and finishes may be damaged by some laundry pretreatment soil and stain remover products. Apply these products away from the dryer. The fabric may then be washed and dried normally. Damage to your dryer caused by these products is not covered by your warranty.

**Dryer Interior and Duct:** The interior of the appliance and exhaust duct should be cleaned once a year by qualified service personnel.

**The Exhaust Duct:** Inspect and clean the exhaust ducting at least once a year to prevent clogging. A partially clogged exhaust can lengthen the drying time.

**The Exhaust Hood:** Check with a mirror that the inside flaps of the hood move freely when operating. Make sure that there is no wildlife (birds, insects, etc.) nesting inside the duct or hood.

## Drum Lamp



The drum lamp comes on automatically when the door is opened.

Before replacing the light bulb, be sure to unplug the dryer power cord or disconnect the dryer at the household distribution panel by removing the fuse or switching off the circuit breaker. Reach above dryer opening from inside the drum. Remove the bulb and replace with the same size bulb.

Order replacement bulb WE4M305 on-line at [GEApplianceParts](http://GEApplianceParts.com), by phone at 800.626.2002 during normal business hours, or purchase appliance bulb 7C7 from your local retailer.

## About venting the dryer

### Venting the Dryer

For the best drying performance, the dryer needs to be properly vented. The dryer will use more energy and run longer if it is not vented to the below specifications. Carefully follow the details on Exhausting in the Installation Instructions.

- Use only rigid metal 4" diameter ductwork inside the dryer cabinet. Use only rigid metal or UL listed flexible metal 4" diameter ductwork for exhausting to the outside.
- Do not use plastic or other combustible ductwork.
- Use the shortest length possible.
- Do not crush or collapse.
- Avoid resting the duct on sharp objects.
- Venting must conform to local building codes.

### **WARNING - Fire Hazard**

This dryer **MUST** be exhausted to the outdoors.

Use only 4" rigid metal ducting for the home exhaust duct.

Use only 4" rigid metal or UL-listed dryer transition duct to connect the dryer to the home exhaust.

DO NOT use a plastic vent.

DO NOT exhaust into a chimney, kitchen exhaust, gas vent, wall, ceiling, attic, crawl space, or concealed space of a building.

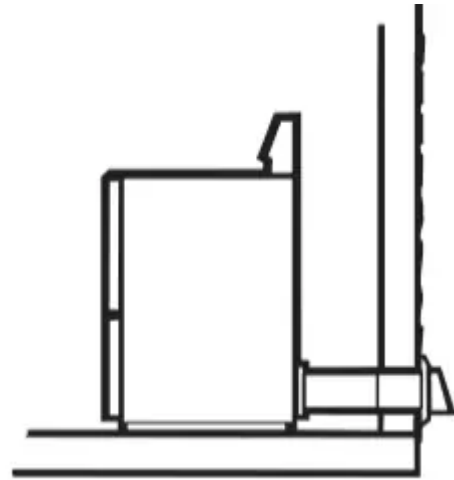
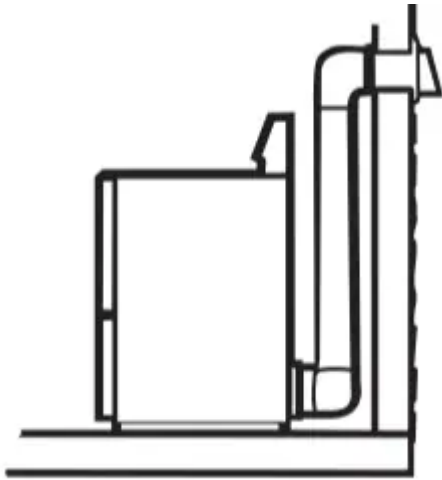
DO NOT install a screen in or over the exhaust duct.

DO NOT install a booster fan in the exhaust duct.

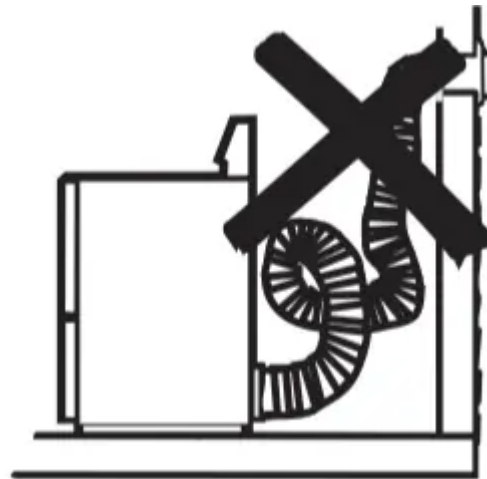
DO NOT use duct longer than specified in the exhaust length table.

Failure to follow these instructions can result in death or fire.

### Correct Venting



### Incorrect Venting



## Before you call for service...

### Troubleshooting Tips

Save time and money! Review the charts on the following pages, or visit [GEAppliances.com](http://GEAppliances.com). You may not need to call for service.

<b>PROBLEM</b>	<b>Possible Causes</b>	<b>What To Do</b>
<b>Dryer shakes or makes noise</b>	Some shaking/noise is normal. Dryer may be sitting unevenly	<ul style="list-style-type: none"> <li>• Move dryer to an even floor space, or adjust leveling legs as necessary until even.</li> </ul>
<b>Clothes take too long to dry</b>	Improper or obstructed ducting	<ul style="list-style-type: none"> <li>• Check the Installation Instructions to make sure the dryer venting is correct.</li> </ul>
		<ul style="list-style-type: none"> <li>• Make sure ducting is clean, free of kinks and unobstructed.</li> </ul>
		<ul style="list-style-type: none"> <li>• Check to see if outside wall damper operates easily.</li> </ul>
	Improper sorting	<ul style="list-style-type: none"> <li>• Separate heavy items from lightweight items (generally, a well-sorted washer load is a well-sorted dryer load).</li> </ul>
	Large loads of heavy fabrics (like beach towels)	<ul style="list-style-type: none"> <li>• Large, heavy fabrics contain more moisture and take longer to dry. Separate large, heavy fabrics into smaller loads to speed drying time.</li> </ul>
	Controls improperly set	<ul style="list-style-type: none"> <li>• Match control settings to the load you are drying.</li> </ul>
	Lint filter is full	<ul style="list-style-type: none"> <li>• Clean lint filter before every load.</li> </ul>
	Blown fuses or tripped circuit breaker	<ul style="list-style-type: none"> <li>• Replace fuses or reset circuit breakers. Since most dryers use 2 fuses/breakers, make sure both are operating.</li> </ul>
	Overloading/combining loads	<ul style="list-style-type: none"> <li>• Do not put more than one washer load in the dryer at a time.</li> </ul>
Underloading	<ul style="list-style-type: none"> <li>• If you are drying only one or two items, add a few items to ensure proper tumbling.</li> </ul>	

<b>The Dry dryness level was chosen but load is still damp</b>	Load consists of a mixture of heavy and light fabrics	<ul style="list-style-type: none"> <li>• When combining heavy and light fabrics in a load, choose More Dry.</li> </ul>
	Exhaust system is blocked	<ul style="list-style-type: none"> <li>• Inspect and clean exhaust system.</li> </ul>
<b>Control buttons not responding</b>	Controls accidentally put in service mode	<ul style="list-style-type: none"> <li>• Press Start/Pause.</li> </ul>
	Controls accidentally put in lock mode	<ul style="list-style-type: none"> <li>• Hold the Lock Control button for 3 seconds to unlock the dryer.</li> </ul>
	Controls performed an incorrect operation	<ul style="list-style-type: none"> <li>• Reset the in-house breaker.</li> </ul>
<b>Dryer doesn't start</b>	Control panel is "asleep"	<ul style="list-style-type: none"> <li>• This is normal. Press Power to activate the control panel.</li> </ul>
	Dryer is unplugged	<ul style="list-style-type: none"> <li>• Make sure the dryer plug is pushed completely into the outlet.</li> </ul>
	Fuse is blown/circuit breaker is tripped	<ul style="list-style-type: none"> <li>• Check the building's fuse/circuit breaker box and replace fuse or reset breaker. NOTE: Electric dryers use two fuses or breakers.</li> </ul>
	Dryer was accidentally paused when starting Delay Dry	<ul style="list-style-type: none"> <li>• If the light on the Start/Pause button is flashing, the dryer is paused. Press Start/Pause to restart the countdown.</li> </ul>
<b>No numbers displayed during cycle, only lights</b>	Dryer is continuously monitoring the amount of moisture in the clothes	<ul style="list-style-type: none"> <li>• This is normal. When the dryer senses a low level of moisture in the load, the dryer will display the dry time remaining.</li> </ul>

<b>Time Remaining jumped to a lower number</b>	The estimated time may change when a smaller load than usual is drying	<ul style="list-style-type: none"> <li>• This is normal.</li> </ul>
<b>Cannot make a selection and the dryer beeps twice</b>	The dryness Level, Temp or option that you are trying to select is incompatible with the chosen dry cycle	<ul style="list-style-type: none"> <li>• This is normal.</li> </ul>
<b>Dryer is running but END is displayed in Time Remaining</b>	The Ext Tumble/Wrinkle Care option was chosen	<ul style="list-style-type: none"> <li>• This is normal. During extended tumbling, the time remaining is not displayed. The extended tumbling option lasts approximately 60 minutes.</li> </ul>
<b>Clean Lint Filter (message)</b>	Power button was activated	<ul style="list-style-type: none"> <li>• Press Start/Pause to begin a dry cycle and the message will disappear.</li> </ul>
<b>Dryer doesn't heat</b>	Fuse is blown/circuit breaker is tripped; the dryer may tumble but not heat	<ul style="list-style-type: none"> <li>• Check the building's fuse/circuit breaker box and replace both fuses or reset both breakers. Your dryer may tumble if only one fuse is blown or one breaker tripped.</li> </ul>
	Gas service is off (gas models only)	<ul style="list-style-type: none"> <li>• Make sure gas shutoff at dryer and main shutoff are fully open.</li> </ul>
	LP gas supply tank is empty or there has been a utility interruption of natural gas (gas models only)	<ul style="list-style-type: none"> <li>• Refill or replace tank. Dryer should heat when utility service is restored.</li> </ul>
<b>Inconsistent drying times</b>	Type of heat	<ul style="list-style-type: none"> <li>• Drying time will vary according to the type of heat used.</li> </ul> <p>If you recently changed from an electric to a gas (natural or LP) dryer, or vice versa, the drying time could be different.</p>



	Type of load and drying conditions	<ul style="list-style-type: none"> <li>The load size, types of fabric, wetness of clothes and the length and condition of the exhaust system will affect drying times.</li> </ul>
<b>Clothes are still wet and dryer shut off after a short time</b>	The door was opened mid-cycle. The load was then removed from the dryer and a new load put in without selecting a new cycle	<ul style="list-style-type: none"> <li>A dry cycle must be reselected each time a new load is put in.</li> </ul>
	Small load	<ul style="list-style-type: none"> <li>When drying 3 items or less, choose Quick Dry or Time Dry.</li> </ul>
	Load was already dry except for collars and waistbands	<ul style="list-style-type: none"> <li>Choose Quick Dry or Time Dry to dry damp collars and waistbands. In the future, when drying a load with collars and waistbands, choose More Dry.</li> </ul>
	Dryer is not level	<ul style="list-style-type: none"> <li>Move dryer to an even floor space or adjust leveling legs as necessary until even.</li> </ul>
<b>Clothes are wrinkled</b>	Overdrying	<ul style="list-style-type: none"> <li>Select a shorter drying time.</li> </ul>
		<ul style="list-style-type: none"> <li>Remove items while they still hold a slight amount of moisture. Select a Less Dry or Damp setting.</li> </ul>
	Letting items sit in dryer after cycle ends	<ul style="list-style-type: none"> <li>Remove items when cycle ends and fold or hang immediately, or use the Ext Tumble/Wrinkle Care option.</li> </ul>
	Overloading	<ul style="list-style-type: none"> <li>Separate large loads into smaller ones.</li> </ul>

<b>Clothes shrink</b>	Some fabrics will naturally shrink Others can be safely washed, but will shrink in the dryer.	<ul style="list-style-type: none"> <li>• To avoid shrinkage, follow garment care labels exactly. when washed.</li> <li>• Some items may be pressed back into shape after drying.</li> <li>• If you are concerned about shrinkage in a particular item, do not machine wash or tumble dry it.</li> </ul>
<b>Greasy spots on clothes</b>	Improper use of fabric softener	<ul style="list-style-type: none"> <li>• Follow directions on fabric softener package.</li> </ul>
	Drying dirty items with clean ones	<ul style="list-style-type: none"> <li>• Use your dryer to dry only clean items. Dirty items can stain clean items and the dryer.</li> </ul>
	Clothes were not completely clean	<ul style="list-style-type: none"> <li>• Sometimes stains which cannot be seen when the clothes are wet appear after drying. Use proper washing procedures before drying.</li> </ul>
<b>Lint on clothes</b>	Lint filter is full	<ul style="list-style-type: none"> <li>• Clean lint screen before each load.</li> </ul>
	Improper sorting	<ul style="list-style-type: none"> <li>• Sort lint producers (like chenille) from lint collectors (like corduroy).</li> </ul>
	Static electricity can attract lint	<ul style="list-style-type: none"> <li>• See suggestions in this section under Static occurs.</li> </ul>
	Overloading	<ul style="list-style-type: none"> <li>• Separate large loads into smaller ones.</li> </ul>
	Paper, tissue, etc., left in pockets	<ul style="list-style-type: none"> <li>• Empty all pockets before laundering clothes.</li> </ul>

<b>Static occurs</b>	No fabric softener was used	<ul style="list-style-type: none"> <li>• Try a fabric softener.</li> <li>• Bounce ®Fabric Conditioner Dryer Sheets have been approved for use in all GE Appliances Dryers when used in accordance with the manufacturer's instructions.</li> </ul>
	Overdrying	<ul style="list-style-type: none"> <li>• Try a fabric softener.</li> <li>• Adjust setting to Less Dry or Damp.</li> </ul>
	Synthetics, permanent press and blends can cause static	<ul style="list-style-type: none"> <li>• Try a fabric softener.</li> </ul>
<b>Collars and waistbands still wet at end of cycle</b>	The dryness monitor senses that the body of the clothes is dry	<ul style="list-style-type: none"> <li>• Choose Quick Dry or Time Dry to dry damp collars and waistbands. In the future, when drying a load with collars and waistbands, choose More Dry.</li> </ul>

<b>Slight variation in metallic color</b>	This is normal	<ul style="list-style-type: none"> <li>• Due to the metallic properties of paint used for this unique product, slight variations of color may occur due to viewing angles and lighting conditions.</li> </ul>
<b>Door is too foggy to see clothes during a steam cycle</b>	Steam condenses on inner door	<ul style="list-style-type: none"> <li>• This is normal.</li> </ul>
<b>Water seen on inside of door and top of lint filter when opening door after steam cycle</b>	Steam condenses on these surfaces	<ul style="list-style-type: none"> <li>• This is normal.</li> </ul>
<b>Small areas on clothes are damp after steam cycle</b>	Steam condenses on inner drum	<ul style="list-style-type: none"> <li>• If using the Steam Dewrinkle cycle, manually reduce the cycle time. If using the Steam Refresh cycle, add more garments to the load.</li> </ul>

<b>Small amount of water on floor in front of dryer</b>	Inadequate load size for steam cycle selected, excess steam condenses inside cabinet and leaks out	<ul style="list-style-type: none"> <li>• If using the Steam Dewrinkle cycle, manually reduce the cycle time. If using the Steam Refresh cycle, add more garments to the load.</li> </ul>
<b>Water on floor in back of dryer</b>	Loose water hose connection to valve	<ul style="list-style-type: none"> <li>• Tighten connection.</li> </ul>
	Hose missing rubber washer at connection with valve	<ul style="list-style-type: none"> <li>• Install rubber washer provided with hose.</li> </ul>
<b>Dryer makes water noises</b>	Water valve is open filling steam generator	<ul style="list-style-type: none"> <li>• This is normal.</li> </ul>
	Steam generator is dispensing steam into drum	<ul style="list-style-type: none"> <li>• This is normal.</li> </ul>
<b>Water drips from door when opened after a Steam Cycle</b>	Steam condenses on inner door	<ul style="list-style-type: none"> <li>• This is normal.</li> </ul>
<b>Cannot see steam at beginning of cycle</b>	Steam released at different times in the cycle	<ul style="list-style-type: none"> <li>• This is normal.</li> </ul>
<b>Cannot see steam at any time during cycle</b>	The steam nozzle might be clogged with debris from your water supply	<ul style="list-style-type: none"> <li>• Call 800.GE.CARES to order nozzle replacement kit WE25M71 or to request a technician to replace this for you.</li> </ul>
<b>Garments still wrinkled after steam cycle</b>	Too many garments	<ul style="list-style-type: none"> <li>• Load fewer garments; manually increase time.</li> </ul>
<b>Dryer continues to tumble after display says Complete</b>	Ext Tumble/Wrinkle Care was selected	<ul style="list-style-type: none"> <li>• Ensure Ext Tumble/Wrinkle Care option is not selected.</li> </ul> <p>For the Steam Refresh cycle, Ext Tumble/Wrinkle Care will</p>

		automatically be turned on and cannot be turned off.
--	--	--

**Warning**

This content is compiled from multiple sources and is provided for reference purposes only. It may not be complete or fully applicable to all situations. If you are unable to resolve your issue, please contact the product manufacturer or an authorized service provider for official support.

---

Document generated by [ManualsFile](#)

