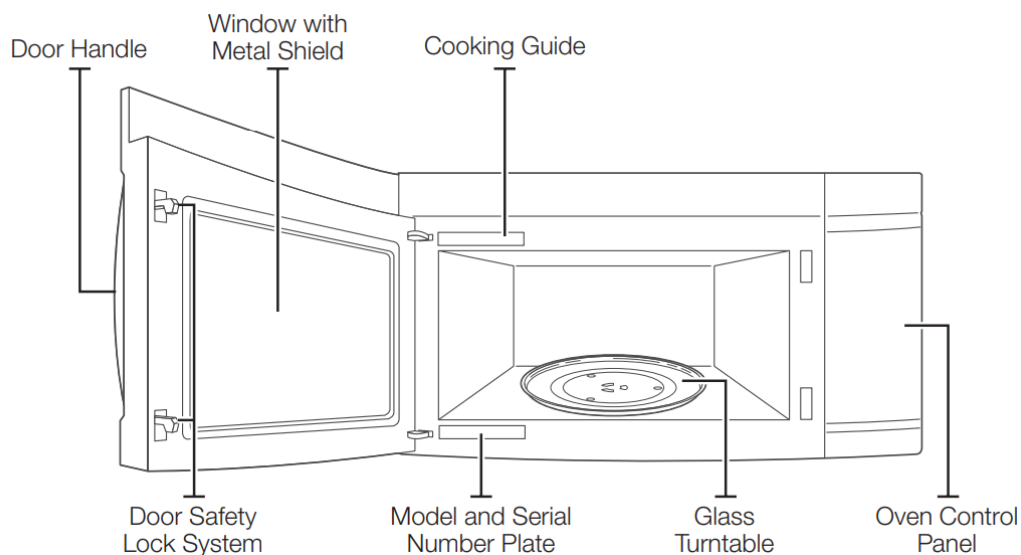
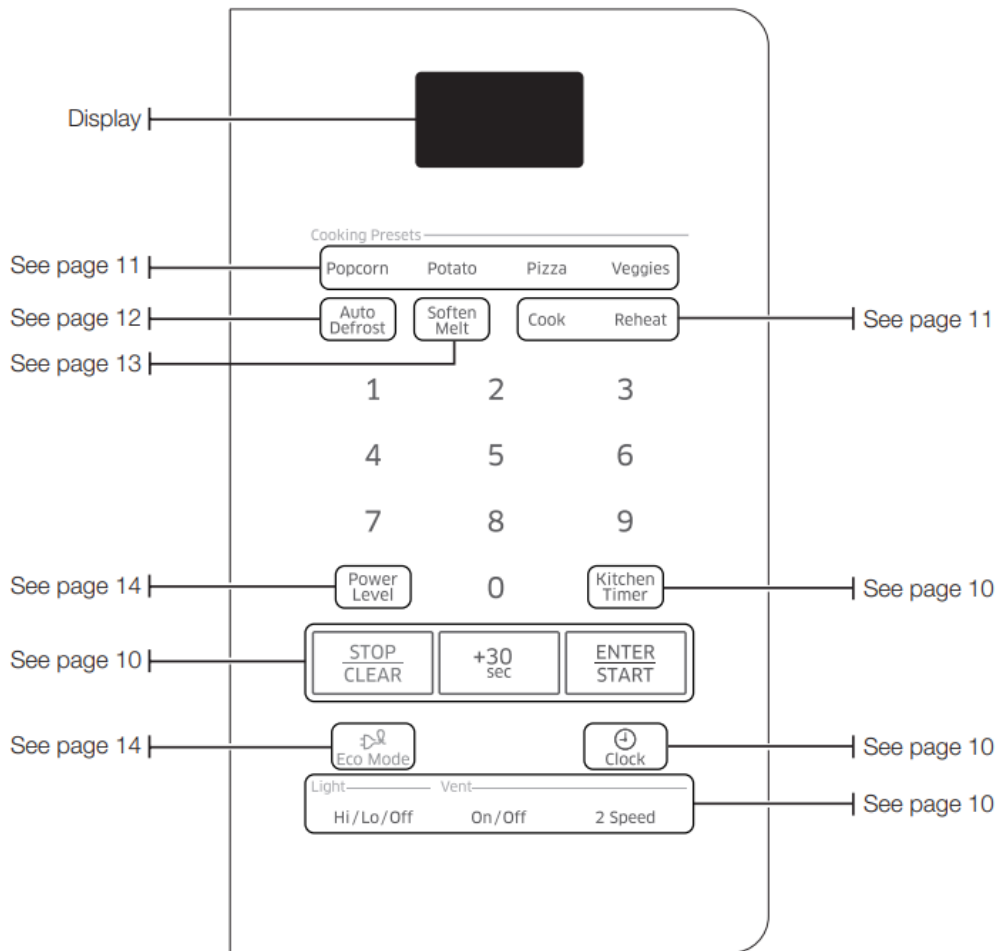


## setting up your microwave oven

### FEATURES



## CHECKING THE CONTROL PANEL



## SETTING THE TIME

Your microwave oven is equipped with a built-in clock. Set the clock when first installing your microwave oven and after a power failure. The time is displayed whenever the microwave oven is not being used.

1. Press the Clock button.
2. Use the number buttons to enter the current time.
3. Press the ENTER/START button.

## CHILD LOCK

The Child Lock function allows you to lock the buttons so that the microwave oven cannot be operated accidentally. The oven can be locked at any time.

### Activating/Deactivating

If you want to activate or deactivate the child lock function, press the ENTER/START button for 3 seconds.

## using your microwave oven

Cooking has never been easier than with your new Samsung microwave oven.

The following section describes everything you need to know about using your microwave oven.

### KITCHEN TIMER BUTTON

Use the Kitchen Timer for timing up to 99 minutes, 99 seconds.

1. Press the Kitchen Timer button.
2. Use the number buttons to set the length of time you want the timer to run.
3. Press the ENTER/START button.
4. The display counts down and beeps when the time has elapsed.
5. To cancel the timer setting: Press the STOP/CLEAR button once.

### ADD 30 SEC BUTTON

This simplified control saves you time, letting you quickly start cooking at 100 % power.

1. Press the Add 30 sec button for each 30 seconds you want food to cook. For example, press it twice to cook for one minute, and then press the ENTER/START button to start cooking.
2. Add 30 sec to a cooking program already in progress by pressing the Add 30 sec button for every additional 30 seconds you want to add.

### VENT BUTTONS (2 SPEED & ON/OFF)

The vent removes steam and other vapors from the cooking surface. You can manually select the vent setting.

1. Press the Vent 2 Speed button to set the speed level.
2. Press the Vent On/Off button to turn the vent on.
3. Press the Vent On/Off button again to turn the vent off.

### LIGHT HI/LO/OFF BUTTON

The Light button allows you to select a light setting for your microwave.

Press (times)	1	2	3
Light	High	Low	Off

## REHEAT BUTTON

The Reheat button provides three preset reheating categories.

Category	Number of Times to Press	Display
Plate of food	once	rh-1
Casserole	twice	rh-2
Pasta	three times	rh-3

Example: Reheating 3 servings of casserole.

1. Press the Reheat button twice.
2. Use the number buttons to enter the quantity or number of servings.
3. Press the ENTER/START button.
4. When the cooking time is over, four beeps will sound and **End** is displayed.

## AUTO DEFROST BUTTON

The defrost choices are preset in the oven. The defrost cycle provides you with the best defrosting method for frozen foods, because the oven automatically sets the defrosting times according to the weight you enter. For added convenience, the auto defrost function beeps to remind you to check or turn over the food during the defrost cycle. Press the Auto Defrost button once and select the food weight. The available weight ranges from 0.1 to 6.0 lbs.

1. Press the Auto Defrost button.
2. Use the number buttons to enter the weight.
3. Press the ENTER/START button

## SOFTEN/MELT BUTTON

SOFTEN/MELT lets you melt chocolate, soften cream cheese, and melt butter.

Example: To melt chocolate.

1. Touch the Soften/Melt button.
2. Choose the food category by pressing the Soften/Melt button repeatedly.
3. Choose the food amount (1 or 2) by pressing a number button.
4. Touch the ENTER/START button.

## MICROWAVE COOKING TIMES & POWER LEVELS

The power level lets you control the heating intensity from Warm (1) to High (10)

### Cooking at high power levels

1. Use the number buttons to enter the cooking time.

2. Press the ENTER/START button.
3. When the cooking time is over, four beeps will sound and End is displayed

### **Cooking at lower power levels**

Cooking at high power does not always give you the best results with foods that require slower cooking, such as roasts, baked goods, or custards. Your oven has 9 additional power settings in addition to high.

1. Use the number buttons to enter the cooking time.
2. Press the Power Level button.
3. Use the number buttons to enter the power level.
4. Press the ENTER/START button.
5. When the cooking time is over, four beeps will sound and End is displayed.

### **Cooking with more than one cook cycle**

For best results, some recipes call for one Power Level for a certain length of time, and another Power Level for another length of time. Your oven can be set to change from one to another automatically, if the first cycle is the defrost cycle.

1. Use the number buttons to enter the cook time.
2. Press the Power Level button.
3. Use the number buttons to enter the power level.
4. Use the number buttons to enter the second cook time.
5. Press the Power Level button.
6. Use the number buttons to enter the power level.
7. Press the ENTER/START button.
8. When the cooking time is over, four beeps will sound and End is displayed.

## **cleaning and maintaining your microwave oven**

Keeping your microwave oven clean improves its performance, wards off unnecessary repairs, and lengthens its life.

### **CLEANING THE EXTERIOR**

It's best to clean spills on the outside of your microwave oven as they occur. Use a soft cloth and warm, soapy water. Rinse and dry.

### **Cleaning under your microwave oven**

Regularly clean grease and dust from the bottom of your microwave using a solution of warm water and detergent.

## **Cleaning the control panel**

Wipe with a damp cloth and dry thoroughly. Do not use cleaning sprays, large amounts of soap and water, abrasives, or sharp objects on the panel as it is easily damaged.

## **Cleaning the door and door seals**

Always ensure that the door seals are clean and that the door closes properly. Take particular care when cleaning the door seals to ensure that no particles accumulate and prevent the door from closing correctly. Wash the glass door with very mild soap and water. Be sure to use a soft cloth to avoid scratching.

If a thin film of water accumulates on the inside or outside of the oven door, wipe it off with a soft cloth. A thin water film can accumulate when you operate the oven at high humidity and in no way indicates microwave leakage.

## **CLEANING THE INTERIOR**

Clean the interior surfaces (oven cavity) of your microwave oven periodically to remove any splashes or stains. To remove hardened food articles and remove smells, place 2 cups of water (add lemon juice for extra freshness) into a four-cup measuring glass. Run the microwave at High power for 5 minutes or until the water boils. Let water stand in the oven for one or two minutes.

## **CLEANING THE TURNTABLE AND ROLLER RINGS**

Clean the roller rings periodically and wash the turntable as required. You can wash the turntable safely in your dishwasher.

## **STORING AND REPAIRING YOUR MICROWAVE OVEN**

If you need to store your microwave oven for a short or extended period of time, choose a dust-free, dry location. Dust and dampness may adversely affect the ability of the microwave parts.

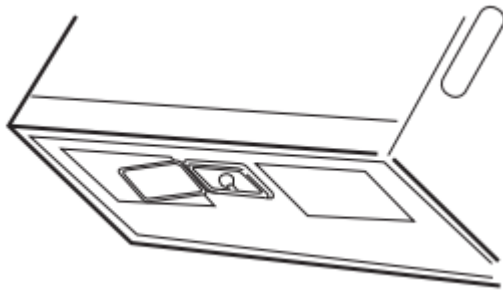
### **WARNING**

- Do not repair, replace, or service any part of your microwave oven yourself. Allow only a qualified service technician to perform repairs. If the oven is faulty and needs servicing, or you are in doubt about its condition, unplug the oven from the power outlet and contact your nearest service center.
- Do not use the oven if it is damaged, in particular, if the door or door seals are damaged. Door damage includes a broken hinge, a worn out seal, or a distorted/bent casing.
- Do not remove the oven from its casing.
- This microwave oven is for home use only and is not intended for commercial use.

## REPLACING THE COOKTOP/NIGHT LIGHT

When replacing the cooktop/night light, make sure that you are wearing gloves to avoid injury from the heat of the bulb.

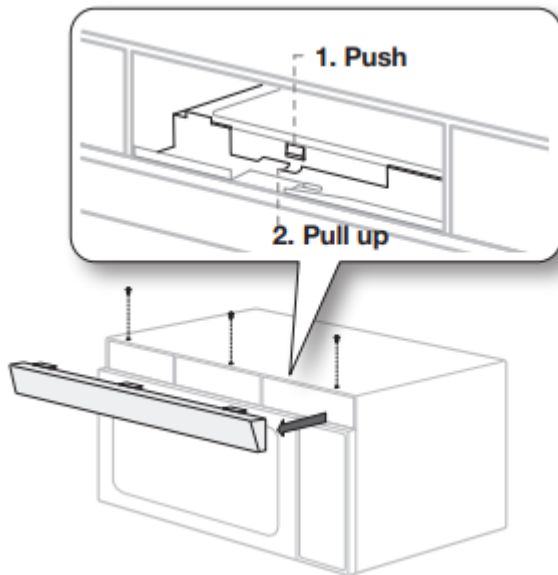
1. Unplug the oven or turn off the power at the main power supply
2. Remove the screw from the light cover and lower the cover.
3. Replace the bulb with a 40 watt incandescent bulb.
4. Replace the light cover and mounting screw.
5. Turn the power back on at the main power supply



## REPLACING THE OVEN LIGHT

When replacing the oven light, make sure that you are wearing gloves to avoid injury from the heat of the bulb.

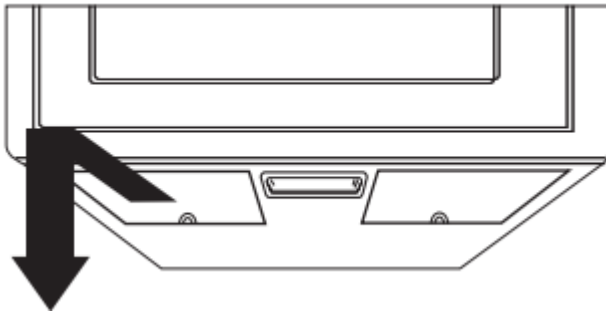
1. Unplug the oven or turn off the power at the main power supply.
2. Open the door.
3. Remove the vent cover mounting screws (3 middle screws).
4. Slide the vent grille to the left, then pull it straight out.
5. Remove the charcoal filter, if present.
6. Remove the cover by pushing the hook and pulling up the lever.
7. Remove the bulb by turning it gently.
8. Replace the bulb with a 40 watt appliance bulb.
9. Replace the bulb holder.
10. Replace the vent grille and the 3 screws.
11. Turn the power back on.



## CLEANING THE GREASE FILTER

Your microwave oven has two metal reusable grease filters. The grease filters should be removed and cleaned at least once a month, or as required.

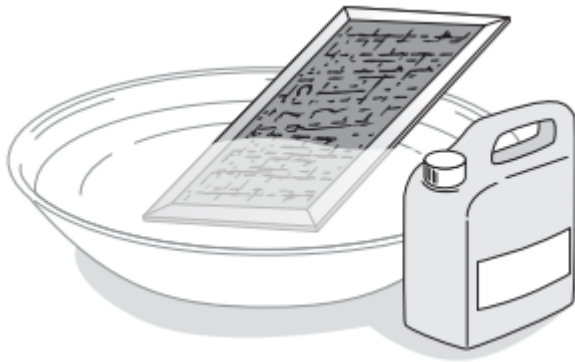
1. To remove the filter, slide it to the left (or right) using the tab.



2. Soak the grease filter in hot water and a mild detergent. Rinse well and shake to dry. Brushing the filter lightly can remove embedded dirt.



**WARNING** Do not use ammonia or put the grease filter in the microwave oven. The aluminum will darken.

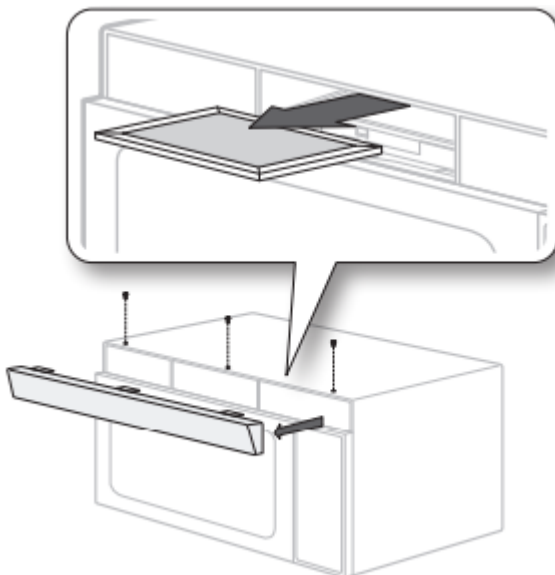


3. To re-install the filter, slide it into the frame slot on the left (or right), and then push it upwards and to the right (or left) to lock it.

## REPLACING THE CHARCOAL FILTER

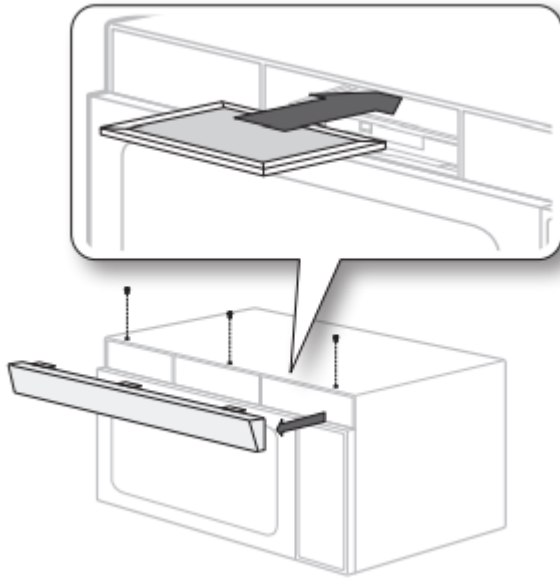
If your oven is vented to the inside, the charcoal filter should be replaced every 6 to 12 months and more often if necessary. The charcoal filter cannot be cleaned. To order a new charcoal filter, contact the Parts Department at 1-800-627-4368 or your Samsung dealer. You can also order online

1. Unplug the oven or turn off the power at the main power supply.
2. Open the door.
3. Remove the vent grille mounting screws (3 middle screws).
4. Slide the vent grille to the left, then pull it straight out.
5. Push the hook and remove the old filter.



6. Slide a new charcoal filter into place. The filter should rest at the angle shown.

7. Replace the vent grille and 3 screws and close the door. Turn the power back on and set the clock.



## troubleshooting

Check these solutions if you have a problem with your microwave:

<b>Problem</b>	<b>Solution</b>
The display and/or the oven is not working.	<p>Make sure the plug is properly connected to a grounded outlet. If the wall outlet is controlled by a wall switch, make sure the wall switch is turned on.</p> <p>Remove the plug from the outlet, wait ten seconds, and plug it in again. Reset the circuit breaker or replace any blown fuses.</p> <p>Plug a different appliance into the outlet. If the other appliance doesn't work, call a qualified electrician to repair the wall outlet.</p> <p>Plug the oven into a different outlet.</p>
The display is working, but the power won't come on.	<p>Make sure the door is closed securely. Check if any packaging material or anything else is stuck in the door seal. Check if the door is damaged.</p> <p>Touch Cancel twice and enter all the cooking instructions again.</p>
The microwave turned off before the set time elapsed.	<p>If there was a power outage, the time indicator will display: 88:88.</p> <p>If no power outage occurred, remove the plug from the outlet, wait ten seconds, and plug it in again. Reset the clock and any cooking instructions.</p> <p>Reset the circuit breaker or replace any blown fuses</p>
Cooks food too slowly	<p>Make sure the oven has its own 20 amp circuit line. Operating another appliance on the same circuit can cause a voltage drop. If necessary, move the oven to its own circuit.</p>
Has sparks or arcing.	<p>Remove any metallic utensils, cookware, or metal ties. If using foil, use only narrow strips and allow at least one inch between the foil and the interior oven walls.</p>
The turntable makes noise or becomes stuck.	<p>Clean the turntable, roller ring and oven floor.</p> <p>Make sure the turntable and roller ring are positioned correctly.</p>

<p>Causes TV or radio interference.</p>	<p>This is similar to interference caused by other small appliances, such as hair dryers. Move your microwave (or appliance) away from appliances, such as your TV or radio.</p>
<p>Vent Motor suction force is too weak.</p>	<p>Set the vent mode to high. The Vent Fan will only operate in low speed mode while the microwave is working.</p>
<p>Operating noise is too loud.</p>	<p>The MWO makes noise during operation. This is normal. If you hear an abnormal sound continuously, please contact the Samsung Call Center (1-800-726- 7864).</p>
<p>Cook top lamp is too dim.</p>	<p>Set the lamp brightness level to high.</p>
<p>Difficult to replace Charcoal Filter.</p>	<p>Please refer to the instructions for replacing the charcoal filter in the user's manual.</p>
<p>Turntable rotates improperly.</p>	<p>Make sure you have not put too much food on the turntable. If the food is too large or too heavy, the turntable may operate improperly</p>

## Specifications

Model number	ME16H702SEB,W,S/AA	
Oven Cavity : 1.6 cu ft	<b>Timer :</b> 99 minutes, 99 seconds	<b>Controls :</b> 10 power levels, including defrost
Power Source : 120 V AC, 60 Hz	<b>Power Output :</b> 1000 Watts	<b>Power Consumption :</b> 1580 Watts
Net/Shipping Weight	ST : 46.9 / 53.8 lbs B / W : 45.5 / 52.3 lbs	
Outside Dimensions	29 <sup>7</sup> / <sub>8</sub> "(W) X 16 <sup>29</sup> / <sub>32</sub> "(H) X 15 <sup>5</sup> / <sub>32</sub> "(D)	
Oven Cavity Dimensions	19 <sup>5</sup> / <sub>16</sub> "(W) X 9 <sup>5</sup> / <sub>8</sub> "(H) X 14 <sup>3</sup> / <sub>8</sub> "(D)	
Shipping Dimensions	33 <sup>3</sup> / <sub>8</sub> "(W) X 20 <sup>5</sup> / <sub>32</sub> "(H) X 19 <sup>13</sup> / <sub>32</sub> "(D)	

### Warning

This content is compiled from multiple sources and is provided for reference purposes only. It may not be complete or fully applicable to all situations. If you are unable to resolve your issue, please contact the product manufacturer or an authorized service provider for official support.