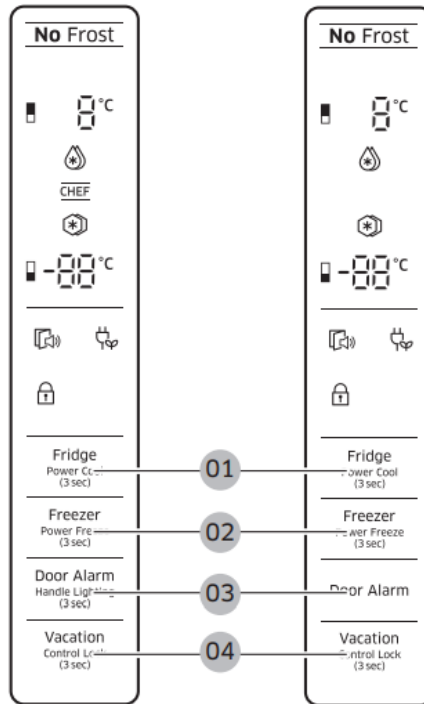


Operating your Refrigerator

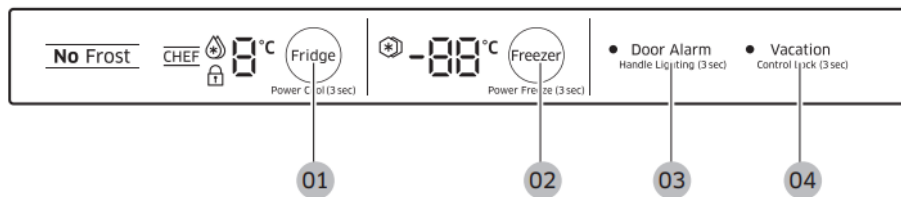
Using the control panel

TYPE A

TYPE B



TYPE C



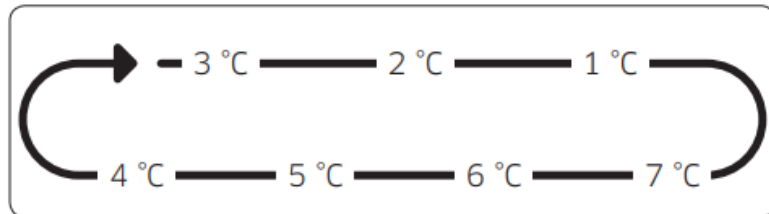
TYPE D



01 Fridge /
Power Cool (3
sec)


Fridge

Press the Fridge button to set the fridge to desired temperature between 1 °C and 7 °C. Default set temperature is set on 3 °C and each time to you press the Fridge button, temperature will be changed in the following order and temperature indicator will display the desired temperature.



Power Cool

Press this button for 3 seconds to activate the Power Cool function.

Power Cool indicator() will light up and the refrigerator will speed up the time.

This function will be activated for several hours and then return to the previous temperature.

This function switches off automatically.

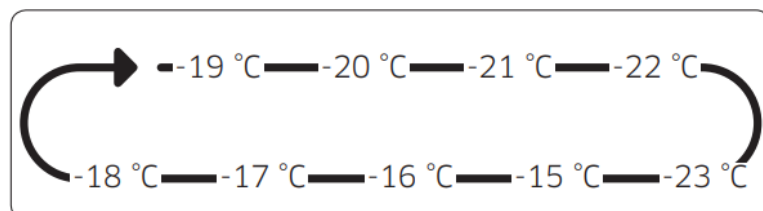
When the Power Cool process is completed, the Power Cool indicator switches off and the Fridge switches back to the previous temperature setting.

To deactivate this function, press fridge button for 3 seconds again.

02 Freezer /
Power Freeze
(3 sec)




Freezer

Press the Freezer button to set the freezer to desired temperature from range between -15 °C and -23 °C. Default set temperature is set on -19 °C and each time you press the Freeze button, temperature will be changed in the following order and temperature indicator will display the desired temperature.



Power Freeze


Press this button for 3 seconds to activate the Power Freeze function.

| | |
|---|---|
| | <p>Power Freeze indicator () will light up and the refrigerator will speed up the time to needed to freeze products in the freezer.</p> <p>This function will be activated for 50 hours and freezer indicator will not change display.</p> <p>This function switches off automatically</p> <p>When the Power Freeze process is completed, the Power freeze indicator switches off and the freezer switches back to the previous temperature setting.</p> <p>When you use this function, the energy consumption will increase.</p> <p>Remember to turn it off when you do not need it and return the freezer to your original temperature setting. To deactivate this function, press the Freezer button for 3 seconds.</p> <p>If you need to freeze large amount of food stuff, activate Power Freeze function 20 hours before.</p> |
| <p>03 Door Alarm / Handle Lighting (3 sec)</p> | <p>Door Alarm</p> <p>Press the Door Alarm button to activate the Door Alarm function.</p> <p>Alarm indicator () will light up and the refrigerator will alert you with alarm sound if the refrigerator door is kept open for longer than 2 minutes.</p> <p>To deactivate the Alarm function, Press the Door Alarm button.</p> <p>Handle Lighting (Only for TYPE A, TYPE C control panel models)</p> <p>Press the Door Alarm button for 3 seconds, then Handle Lighting function will activate.</p> <p>When the Handle Lighting function activates, the Light under the fridge door will always turn on.</p> <p>Press the Door Alarm button for 3 seconds again and Handle Lighting function will turn off, The Light is ON when the freezer door is open.</p> <p>(The Light is OFF when the fridge door is open or when the fridge door and freezer door are BOTH open.)</p> |
| <p>04 Vacation / Control Lock (3 sec)</p> | <p>Vacation</p> <p>Press the Vacation button to activate the Vacation function. Vacation indicator () will light up and the refrigerator will set the temperature to under 17 °C to minimize you are going on a long vacation or business trip or you do not need to use the refrigerator. While Vacation function is activated, freezer compartment remains on. Vacation function will be automatically deactivated if</p> |

you adjust fridge temperature while Vacation function is on. Make sure to remove foods in the fridge compartment before using Vacation function.

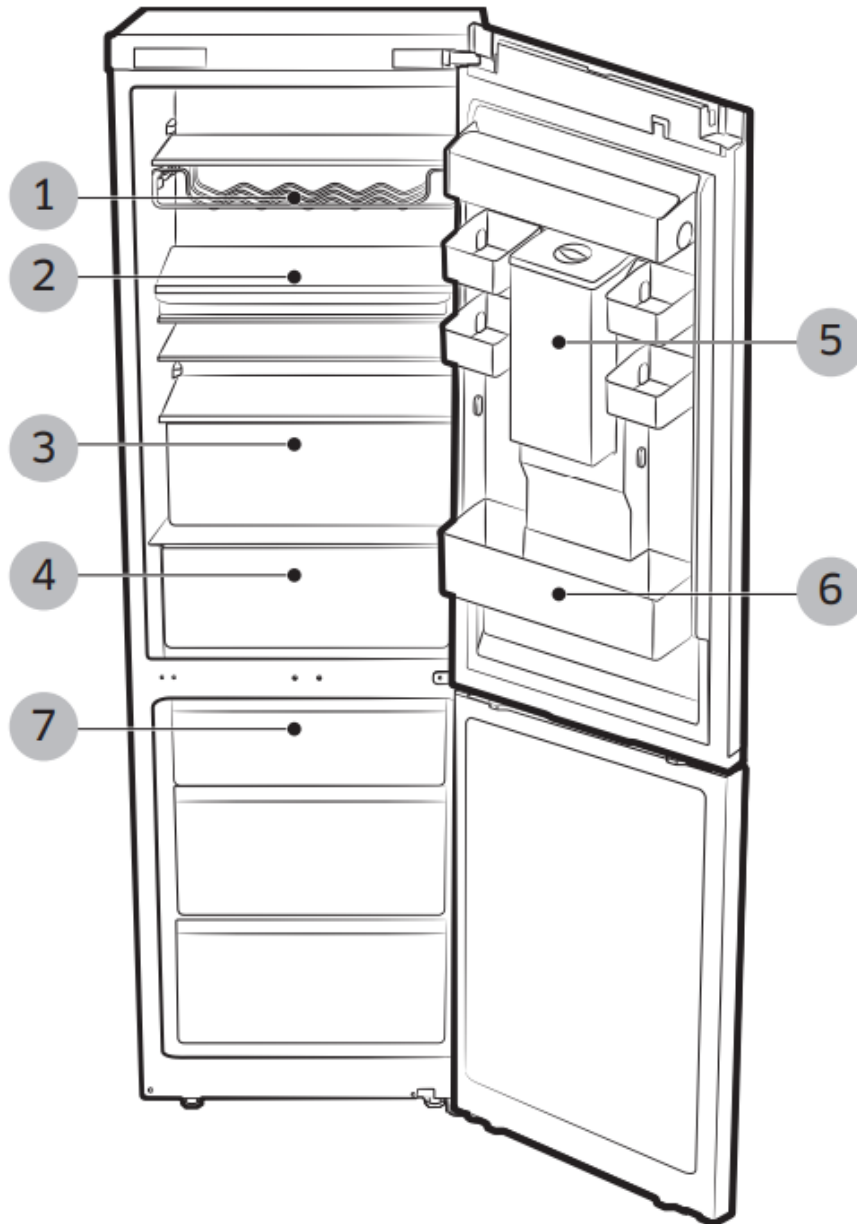
Control Lock

Press this button for 3 seconds to activate the Control Lock function.

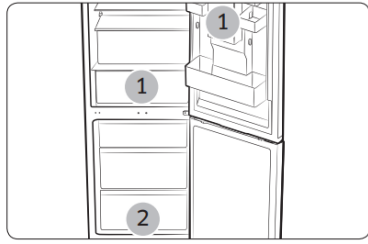
Control Lock indicator() will light up and all the buttons are locked and deactivated.

Press this button for 3 seconds to turn Control Lock off and re-activate the buttons.

Parts and features



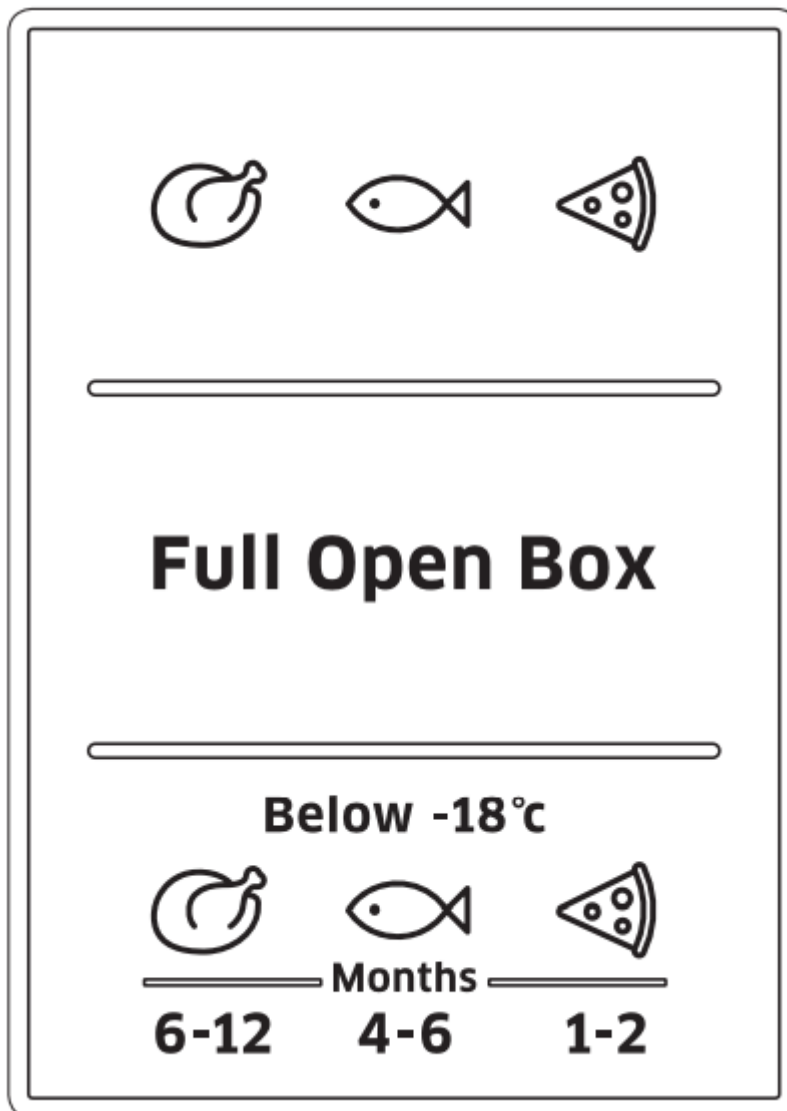
1. Wine Rack (Optional)
2. Foldable Shelf or CHEF PAN Shelf (Optional)
3. FRIDGE DRAWER
4. CHEF BOX (Optional)
5. Water Tank (Optional)
6. GAURD
7. FREEZER DRAWER



- Some of the feature such as Water tank and CHEF BOX (1) can be different and may not be available depending on the model.
- The fruits or the vegetables could get frozen in CHEF BOX. (Optional)
- To freeze large quantities of food quickly, use the very bottom drawer (2) where food freezes particularly quickly.

Features of the freezer compartment

Frozen-food mark on the Door panel



The following products are not suitable for wrapping food: Wrapping paper, greaseproof paper, cellophane, refuse bags and used shopping bags.

The following products are suitable for wrapping food: Plastic film, polyethylene blown film, aluminium foil and freezer tins. These products can be purchased from your dealer.

The figures above to the symbols indicate the permitted storage period of the produce in months. When purchasing frozen produce, observe the date of manufacture or sell-by date.

Freezing food

Freeze fresh, undamaged food only. Keep food which is to be frozen away from food which is already frozen. To prevent food from losing its flavour or drying out, place in airtight containers.

Packing food correctly:

1. Place the food in the packaging.
2. Press out all the air.
3. Seal the wrapping.
4. Label the wrapping with the contents and date.

The following products are suitable for sealing the wrapped food:

Rubber bands, plastic clips, string, coldresistant adhesive tape or similar. Bags and polyethylene blown film can be sealed with a film sealer.

Shelf life of frozen food

Storage duration depends on the type of food. At a temperature setting of -18 °C:

- Fresh Poultry (whole chicken), Fresh meat (steaks, Roasts) : up to 12 months
- Fish (Lean fish, Cooked fish), Fresh shrimp, scallops, squid: up to 6 months
- Pizza, Sausage: up to 2 months .

Purchasing and storing deep-frozen food

When purchasing frozen food, observe the following:

- Check that the packaging is not damaged.
- Check the sell-by date.
- The temperature of the supermarket freezer should be below -18 °C or lower. If not, the shelf life of the frozen food is reduced.
- Purchase deep-frozen food last. Wrap food in newspaper or place in a cool bag and take home.
- At home immediately place deepfrozen food in the freezer compartment. Consume the frozen food before the useby date expires.

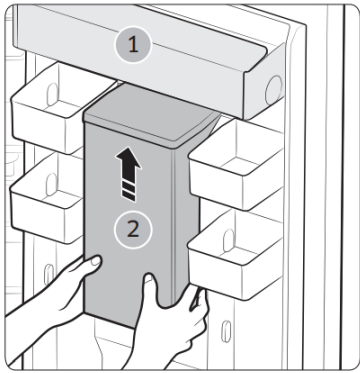
Thawing frozen food

Depending on the type and application, select one of the following options:

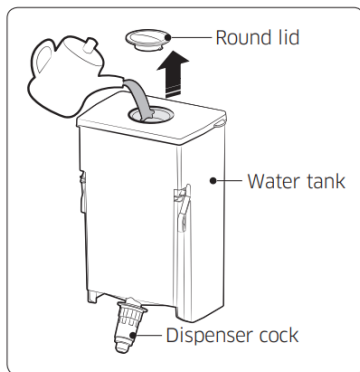
- At room temperature.
- In the refrigerator.
- In an electric oven, with/without fan assisted hot-air.
- In a microwave oven

Using the water dispenser (optional)

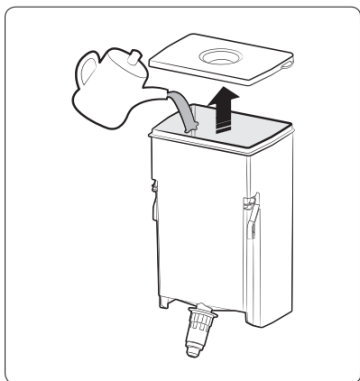
With the water dispenser, you can obtain chilled water easily without opening the refrigerator door.



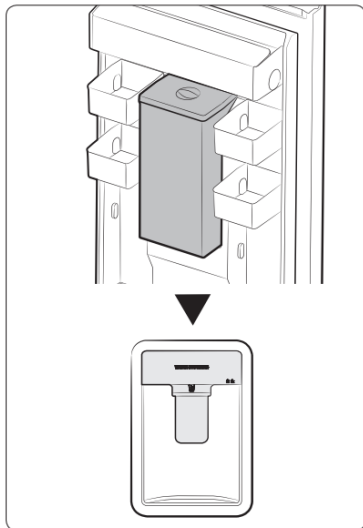
- Lift up the Guard (1).
- Lift up and pull out the water tank (2).
 - Hold the handgrips on both sides to lift out the water tank.
 - Clean the inside of water tank before using it for the first time.
- Fill the water tank with water, ensuring that it is in a stable position, allowing for the extended water supply outlet.
 - Fill with water up to 4.5 L. If it is filled higher than this, it may overflow when the lid is closed.
 - Water may drop from the water tank when it is first filled. Remove about 500 ml water if this happens.
 - It is impossible to fill the tank with water while it is positioned in the refrigerator.



- Method 1.
Fill the water lifting the round lid in the arrow direction to open.



- Method 2.
Please fill the water after holding and lifting the large lid to open it.



Close the refrigerator door after fitting the water tank.

- Confirm that the dispenser cock is outside after closing the door.

CAUTION

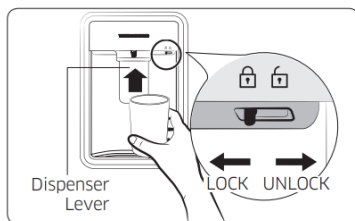
Fix water tank to the fridge door tightly. If not, water tank may not be operate correctly.

Do not use the refrigerator without the water tank. If not, it may cause an efficiency problem.

CAUTION

Do not fill anything other than water as mineral water or purified water in the water tank.

- Place a glass underneath the water outlet and push gently against the dispenser lever with your glass. Make sure the glass is in line with the dispenser to prevent the water from bouncing out.



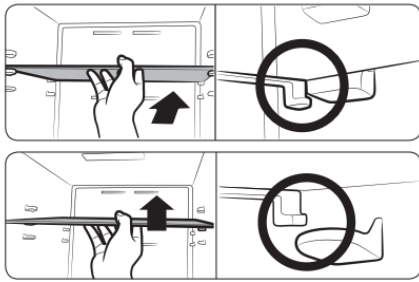
CAUTION

Check that the locking device is set to "UNLOCK".

Water can only be dispensed on this setting.

Removing the interior parts

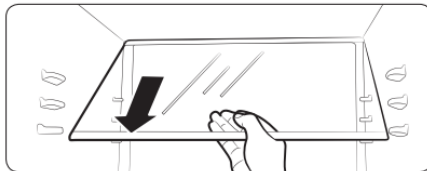
Shelves / Foldable Shelf (Optional)



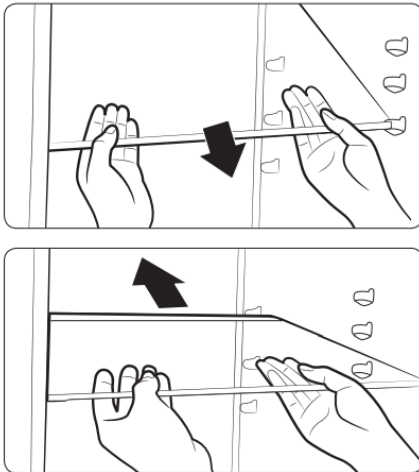
1. To move the shelf, hold it with both hands and lift to release from the rear supports. Then, pull it halfway to the front.



2. In an area (a) between the supports, tilt the shelf on the front side by more than 45° as shown.



3. Check the target shelf level, and pull up the shelf to the front so that the front hooks locks into the front supports of the target level.



4. While pulling up the front side, insert the rear side to the rear supports.

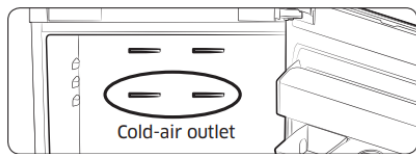
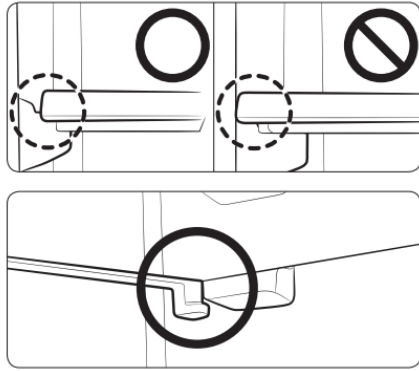


To prevent bumping the door or guards, use caution when removing the shelf.



- Make sure the shelf is balanced on every support.

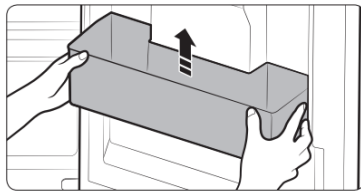
- Make sure every hook of the shelf locks into the correct support.



CAUTION

If the topmost shelf is positioned below the cold-air outlet, food on that shelf may freeze. (RB33/36* models)

Door guards



Firmly grab the door guards with both hands and lift it up gently to remove the door guards.



- When opening and closing doors, there is a risk of falling if tall things are placed on the bottom of the door guard.
- Do not store vegetable oil that is opened in the fridge Guard. This is because the oil will harden. To prevent hardening, store the oil in a cool place. (Vegetable oils: soybean oil, olive oil, sesame oil, etc)

Troubleshooting

| PROBLEM | SOLUTION |
|---|--|
| <p>The appliance is not operating at all or the temperature is too high.</p> | <ul style="list-style-type: none"> • Check if the power plug is correctly connected. • Is the temperature control on the front panel correctly set? • Is the appliance in direct sunlight or located near a heat source? If so, it may not be able to cool as well. Please put it in a place that is out of direct sunlight and not near a heat source. • Is the back of the appliance too close to the wall? If so, it may not be able to cool sufficiently. Keep it an appropriate distance from the wall. • Is there too much food inside so that the food is blocking the outlet vent? To keep the refrigerator at a suitable temperature, do not fill the refrigerator with too much food. |
| <p>The food in the refrigerator is frozen.</p> | <ul style="list-style-type: none"> • Is the temperature control on the front panel set to the coldest temperature? • Is the surrounding temperature too low? • Did you store the food with a high water content in the coldest part of the fridge? |
| <p>There are unusual noises.</p> | <ul style="list-style-type: none"> • Check if the appliance is installed on a stable and even floor. • Is the back of the appliance too close to the wall? • Have any foreign objects fallen behind or under the appliance? • Is the noise coming from the compressor in the appliance? • A ticking sound occurs when the various accessories contract or expand. |



| | |
|--|--|
| <p>The front corners and sides of the appliance are warm and condensation starts to form.</p> | <ul style="list-style-type: none"> • Heat-proof pipes are installed in the front corners of the appliance to prevent condensation from forming. When the surrounding temperature rises, this may not always be effective. However, this is not abnormal. • In very humid weather, condensation may form on the outer surface of the appliance when the moisture in the air comes into contact with the cool surface of the appliance. |
| <p>You can hear a liquid bubbling in the appliance.</p> | <ul style="list-style-type: none"> • This is the refrigerant, which cools the inside of the appliance. |
| <p>There is a bad smell inside the appliance.</p> | <ul style="list-style-type: none"> • Is there any spoiled food inside of the refrigerator? • Make sure that strong smelling food (for example, fish) is wrapped so that it is airtight. • Clean out your refrigerator periodically and throw away any spoiled food. <p>When cleaning the inside of the fridge, store food elsewhere and unplug the appliance. Wipe with a dry dishcloth after 2-3 hours and then circulate air inside the refrigerator.</p> |
| <p>There is a layer of frost on the appliances walls.</p> | <ul style="list-style-type: none"> • Are the air outlet vents blocked by food stored inside the refrigerator? • Space the food out as much as possible to improve ventilation. • If the freezer drawer is not completely closed or is blocked, humidity from outside may enter and cause severe frost to form. |
| <p>Condensation forms on the inside wall of the appliance and around vegetables.</p> | <ul style="list-style-type: none"> • Food with a high water content is stored uncovered with a high humidity level or the door has been left open for a long time. • Store the food with a cover or in sealed containers. |

Warning



This content is compiled from multiple sources and is provided for reference purposes only. It may not be complete or fully applicable to all situations. If you are unable to resolve your issue, please contact the product manufacturer or an authorized service provider for official support.

Document generated by [ManualsFile](#)

