

## BEFORE PUTTING INTO USE

- Before connecting the appliance to the power supply, let the unit stand upright for 4 hours, which will reduce the possibility of the cooling system malfunctioning due to improper handling.
- Clean your unit thoroughly before putting into use. (See "How to Clean")
- Use the parts diagram on page 4 to insure proper positioning of internal components.

## TIPS FOR ENERGY SAVINGS

- Keep the refrigerator and freezer doors closed as much as possible, particularly in warm & humid conditions.
- Maintain adequate ventilation around the back and sides of the unit.
- Maintain a thermostat setting of "4" under normal use.
- Allow warm food to cool to room temperature before placing in the refrigerator or freezer.
- Excessive ice build up will increase energy consumption. Defrost the unit when ice / frost is ½" thick.

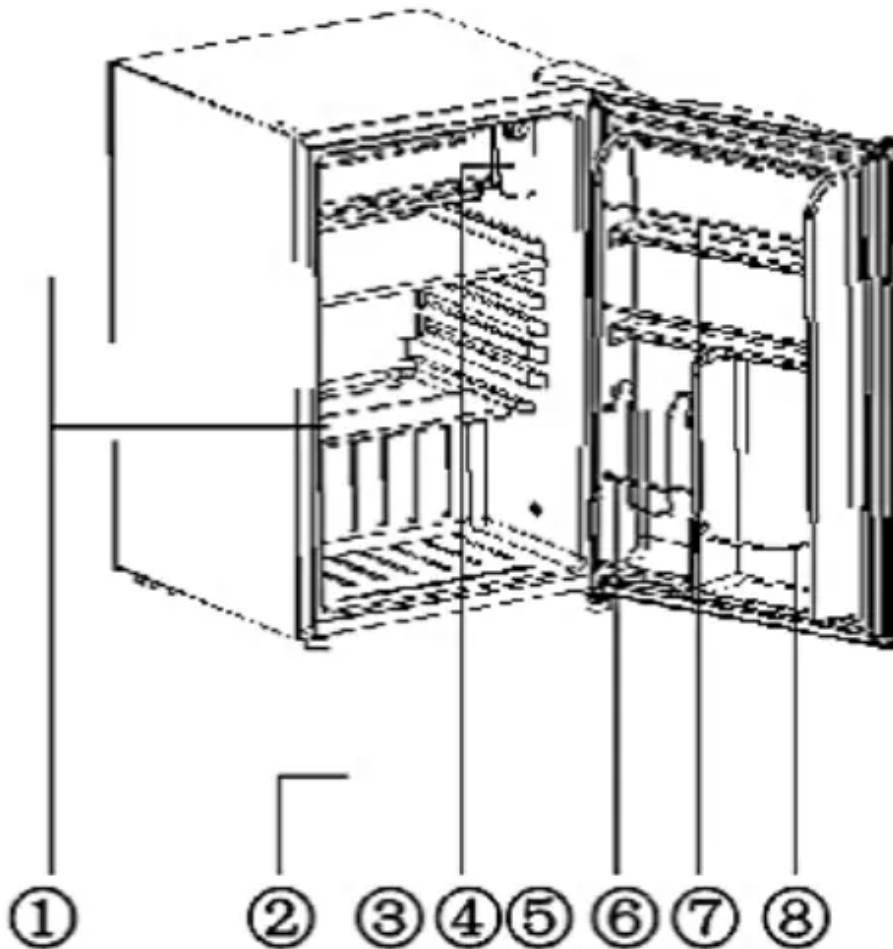
## IMPORTANT SAFETY INSTRUCTIONS

**DANGER:** Risk of child entrapment. Before you throw away your old refrigerator or freezer

- Take off the doors. Leave the shelves in place so that children may not easily climb inside.
- The appliance must be correctly connected to the power supply. (See: "HOW TO INSTALL").
- Do not use an extension cord as this can negatively affect the performance of the unit
- When transporting the refrigerator, keep the unit in the upright position. Do not tilt the appliance beyond 45° or place the unit in upside down position.
- Do not touch the cooled surfaces while the appliance operates, especially not with wet hands, because the skin may stick to the cold surfaces.
- It is recommended that the refrigerator is positioned away from any combustible sources such as gas, petrol, alcohol, lacquer and banana oil, etc. The aforementioned objects should not be stored in the refrigerator under any circumstances.
- Do not freeze bottled liquids such as carbonated soft drink, beer, wine, etc. Doing so can cause glass bottles and aluminum cans to rupture.
- If the unit fails to cool properly, dispose of spoiled food as needed.

- All repairs should be made by a qualified service technician. Repairs made by non-qualified personnel will void the warranty.
- Do not defrost the appliance with other electric devices (hair dryer etc.) and never scrape the ice or frost layer with sharp tools.
- The rating plate is inside the appliance or outside on the rear wall.

## NAME OF THE PARTS



1. Removable Food Shelf
2. Freezer Compartment
3. Drip Tray
4. Temperature Thermostat Box
5. Temperature Dial
6. Dairy RackFood Rack
7. Bottle Rack

## SPECIFICATIONS

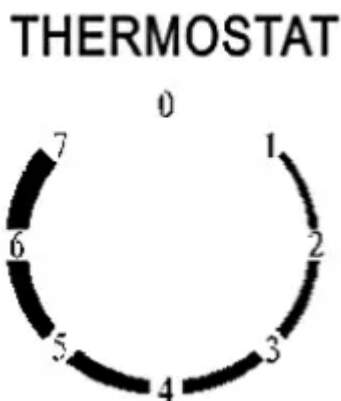
Product Description	Compact Refrigerator		
Model No.	RFR322		
Capacity	84L/3.2 Cu.Ft.		
Electrical Rating	115V~/60Hz/1.3A		
Refrigerant	R134a, 1.77 Oz/50g		
Unit Dimensions With	Width	Depth	Height
Feet (Inches)	17- <sup>1</sup> / <sub>2</sub> " (445mm)	18- <sup>5</sup> / <sub>8</sub> " (475mm)	31- <sup>5</sup> / <sub>8</sub> " (810mm)
Net Weight (Lbs)	50.7 Lbs		

## HOW TO OPERATE

### Starting Your New Refrigerator

1. Clean the refrigerator thoroughly. Wipe the outside with a soft dry cloth, the interior with a clean moist cloth.
2. Insert the power supply cord into the socket.
3. Turn the thermostat dial to "7". Close the door and let the refrigerator operate for 20 minutes.
4. Reduce the thermostat to a mid-range setting "4" on the thermostat control.

### Temperature Control



- To control the internal temperature, adjust the thermostat dial. "1°" is the warmest setting. "7" is the coldest.
- To turn the refrigerator off, turn the temperature control knob to '0'.
- \*Note: Turning the temperature control to "0" position stops the cooling cycle but it does not shut off the power supply to the refrigerator.

- The Dial may be set any place on the scale. It does not have to be set exactly on a number. To make ice cubes in the freezer compartment, adjust the thermostat to the coldest setting. ("7")
- The refrigerator is not designed to be installed in an outside area such as a garage or a porch. Ambient temperatures of below 50° or above 90° will hinder the performance of the appliance.
- Note: Wait 3-5 minutes before restarting if you unplug the refrigerator. The unit may fail to operate properly if restarted too quickly.

## How To Defrost

- Defrost the freezer compartment when the ice / frost is approximately 1/2" thick. Set the thermostat dial to '0' to defrost. Remove all contents from the freezer compartment. Leave the freezer door open to allow accumulated ice / frost to melt. Remove large pieces of ice as needed. Do not use hot water or other electric heating devices to melt the accumulated ice. After defrosting, remove accumulated ice / water and wipe the freezer compartment dry with a soft cloth. Restart the unit per starting instructions.
- **Never use a knife or other sharp metal instrument to scrape ice/frost from the evaporator**

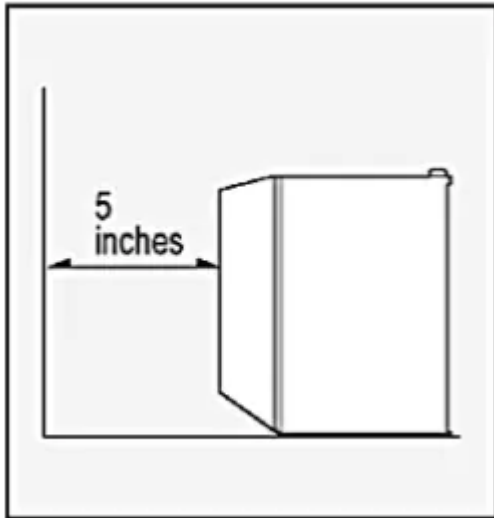
## HOW TO CLEAN

- Cleaners: Never use harsh, abrasive cleaners, heavy-duty cleaners, or solvents on any surface.
- Exterior: Wipe with damp, sudsy cloth, rinse and dry. For stubborn stains and for periodic waxing, use silicon wax.
- Freezer: When refrigerator needs defrosting turn thermostat to "OFF" ("0"). Do not use sharp instruments to scrape off ice/frost.
- Refrigeration Section: Wash shelves and other removable parts in warm sudsy water, rinse and dry. Wash interior with baking soda solution (3 tablespoons to 1 liter of water) or warm sudsy water, rinse and dry.
- Magnetic Door Seals: Wash with warm sudsy water.
- The Finishing Touch: Replace all parts and return thermostat dial to desired setting

## HOW TO INSTALL

- Install refrigerator in a convenient location away from extreme heat and cold. Allow sufficient clearance between the refrigerator and sidewall so the door will open without obstruction. Refrigerator is not designed for recessed installation.

- Select a space with strong level floor. Not recommended for carpeting or other soft / uneven surfaces



- Allow 5 inches of space between the refrigerator's side and the wall. In addition, sufficient clearance (160°) should be maintained to allow the door to open properly and completely.
- The appliance must be correctly connected to the power supply.
- Do not use an extension cord

The refrigerator is not designed to be installed in an outside area such as a garage or a porch. Ambient temperatures of below 50° or above 90° will hinder the performance of the appliance.

**POWER CORD REPLACEMENT:** If the refrigerator's power cord is damaged, have it replaced by a qualified repair agent.

## CARE AND MAINTENANCE

- The refrigerator should be cleaned on a regular basis. (See: "HOW TO CLEAN") It is necessary to have an adequate ventilation space around the refrigerator in order to attain proper performance, dissipation of heat, maintain efficiency, and low power consumption. Clearance of minimum 5 inches should be maintained at the rear and sides of the unit and 8 inches at the top of the unit.
- To attain proper performance, be sure to plug the appliance into a properly grounded 115/60 Hz outlet.
- Do not modify the power cord under any circumstance to allow the unit to be plugged into a non-grounded outlet. To avoid heat damage to the power cord, please ensure that it does not come in proximity or in direct contact with the compressor of the refrigerator.
- Please avoid installing the refrigerator in a location where the appliance will come in contact with water or moisture to minimize rusting of metal parts.

- The refrigerator should not be installed near any heat source or in a location where it will come in direct contact with the sunlight.

## **TROUBLESHOOTING GUIDE**

### **WHAT TO DO...**

#### **When the fridge is not in use for a prolonged period:**

- Remove the plug from the outlet.
- Remove all contents from the fridge.
- Dry the interior and leave the door open for a few days.

#### **When the refrigerator does not work:**

- Check if there is a power failure
- Check if the power plug is plugged into the power outlet
- Check that the fuse has not blown in the main supply circuit

#### **When you wish to move the fridge:**

- Secure all movable parts and contents. (Package them separately if necessary.)
- Transport the fridge only in an upright position. In any other position you may damage the compressor.

Before calling service, please follow the checklist below. This may save you an expensive service call.

#### **If the refrigerator seems too warm inside:**

- Check to see if the door is closing properly and the door seal is not damaged
- Check that the interior circulation is not obstructed by having too many goods stored. (The fridge is overloaded)
- Did you store anything hot, without first cooling it to room temperature?
- Is there sufficient clearance around all sides and above the fridge?

#### **When the refrigerator is cooling excessively:**

- The temperature control dial may be set too high
- If you place food sorts which contain a lot of moisture directly under the cool outlets, they will freeze easily. This does not indicate a unit malfunction

#### **When the defrosting water overflows inside the refrigerator and onto the floor:**

- Check that the drain pipe and the drain hose are not clogged.
- Check that the drain pan is housed properly.

### When the refrigerator's cabinet front heats up:

- In order to avoid condensation, there is an anti-condensation pipe which heats up the cabinet front when running. A warm cabinet front does not indicate a unit malfunction.

### When condensation forms on the outside of the refrigerator:

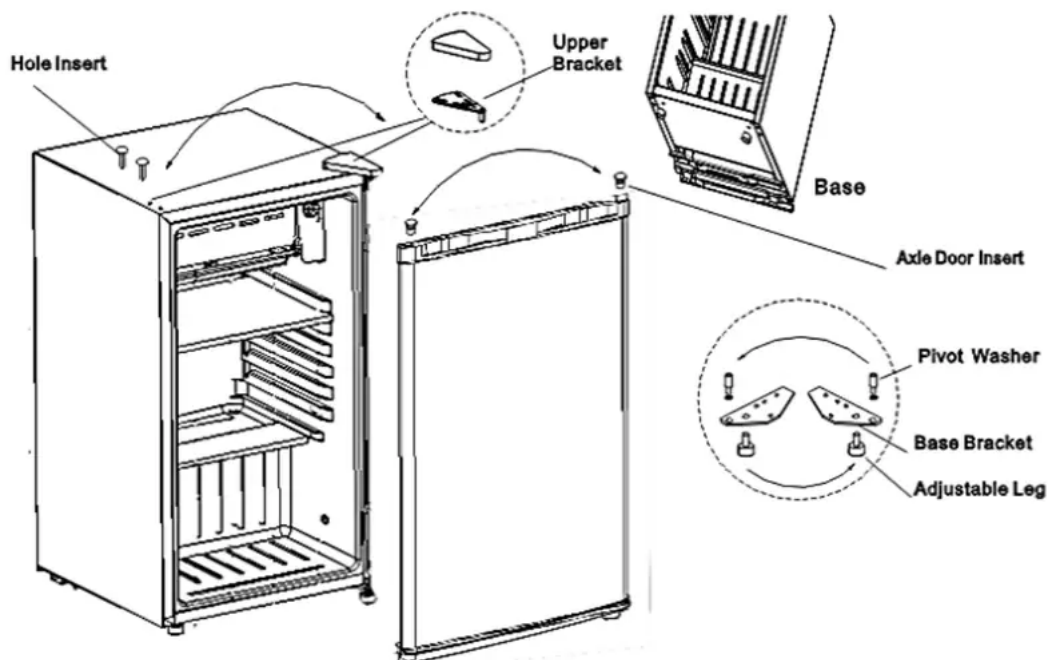
- Condensation may form on the outside when the humidity level is high such as during a wet season. This is the same result as the condensation formed when chilled water is poured into a glass. It does not, therefore, indicate a failure, wipe dry with a dry cloth.

### If the fridge starts making any unusual noises:

- Is it wobbling? Re-level it and check if it now operates normally.
- Have any objects fallen behind the fridge? If so, remove them and check if operation is now normal.
- Are any containers inside the fridge vibrating or resonating? If so, rearrange them then check to see if operation has returned to normal.

## Door Reversal Instructions

Your refrigerator is built with a reversible door. You have the choice of either opening it from the left or the right side. In order to reverse the opening direction of your door, please follow these simple instructions.



### Warning

This content is compiled from multiple sources and is provided for reference purposes only. It may not be complete or fully applicable to all situations. If you are unable to resolve your issue, please contact the product manufacturer or an authorized service provider for official support.

---

Document generated by [ManualsFile](#)

