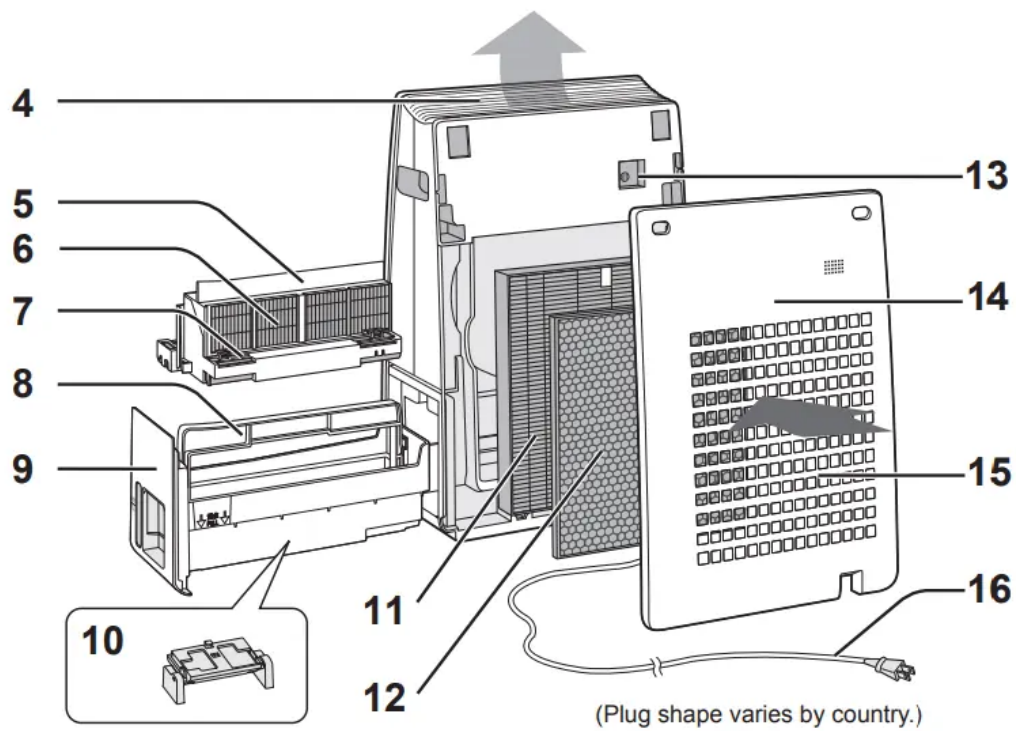


PART NAMES

FRONT

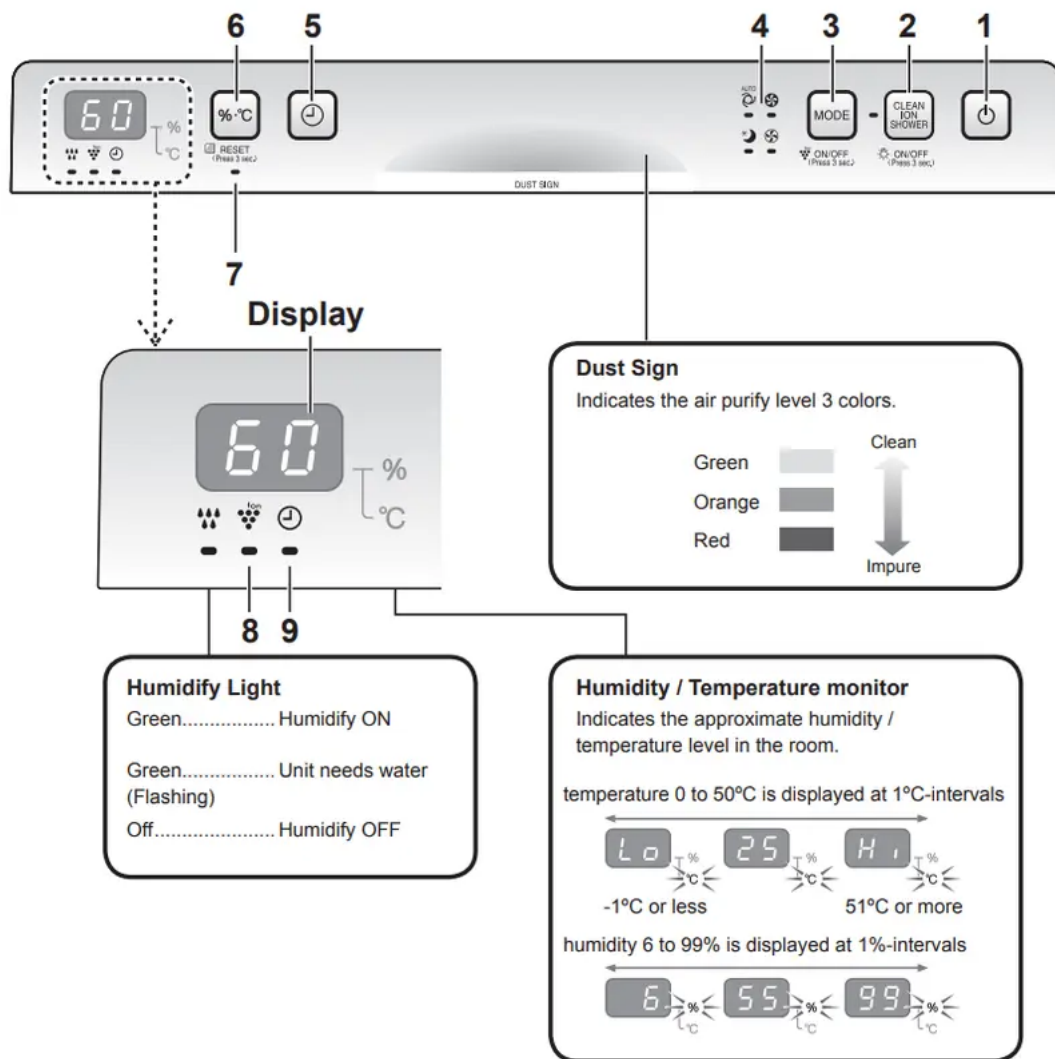


BACK



1. Operation Panel / Display (Ref.E-5)
2. Handle (2 Locations)
3. Main Unit
4. Air Outlet
5. Filter Frame
6. Humidifying Filter
7. Float (in Filter Frame)
8. Tray Handle
9. Humidifying Tray
10. Float
11. HEPA Filter
12. Deodorizing Fiter
13. Sensor (internal)
14. Back Panel (Pre-Filter)
15. Air Inlet
16. Power Cord / Plug

OPERATION PANEL / DISPLAY

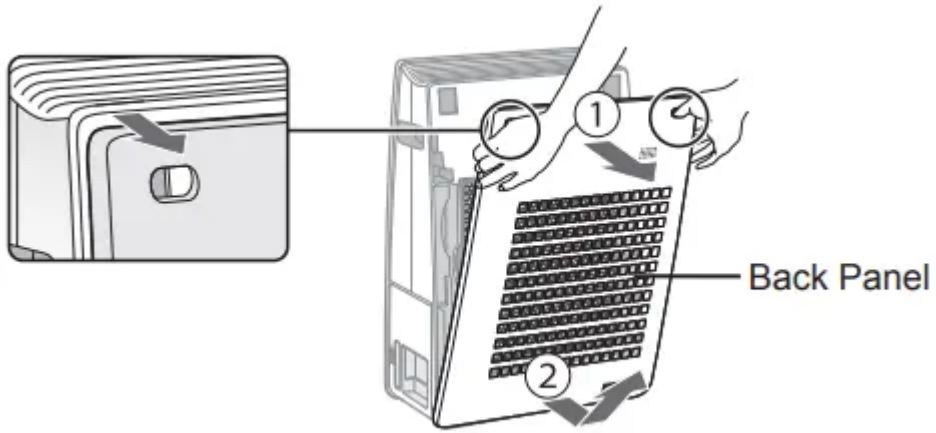


1. POWER ON/OFF Button
2. CLEAN ION SHOWER Button / Indicator Light (green)
3. MODE Button
4. Fan Speed Indicator Lights (green)
5. OFF Timer Button
6. Display Select Button (Press 3 sec.) LIGHT ON/OFF Button (Press 3 sec.) FILTER RESET Button
7. Filter Indicator Light (Orange) (Press 3 sec.) Plasmacluster Ion ON/OFF Button
8. Plasmacluster Ion Indicator Light (blue)
9. OFF Timer Indicator Light (green)

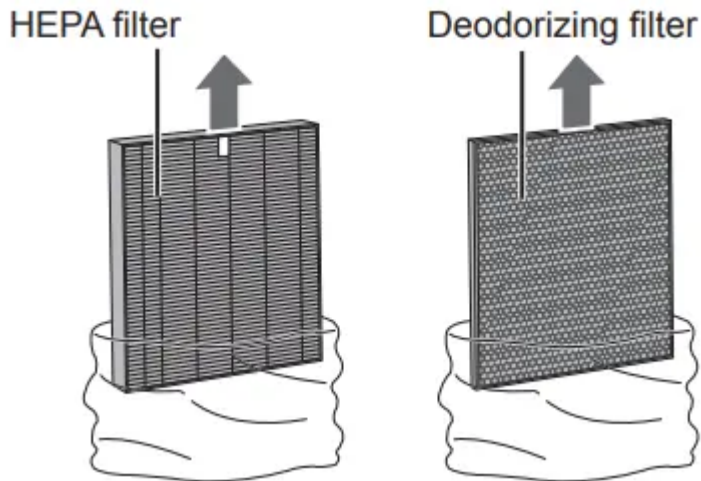
PREPARATION

FILTER INSTALLATION

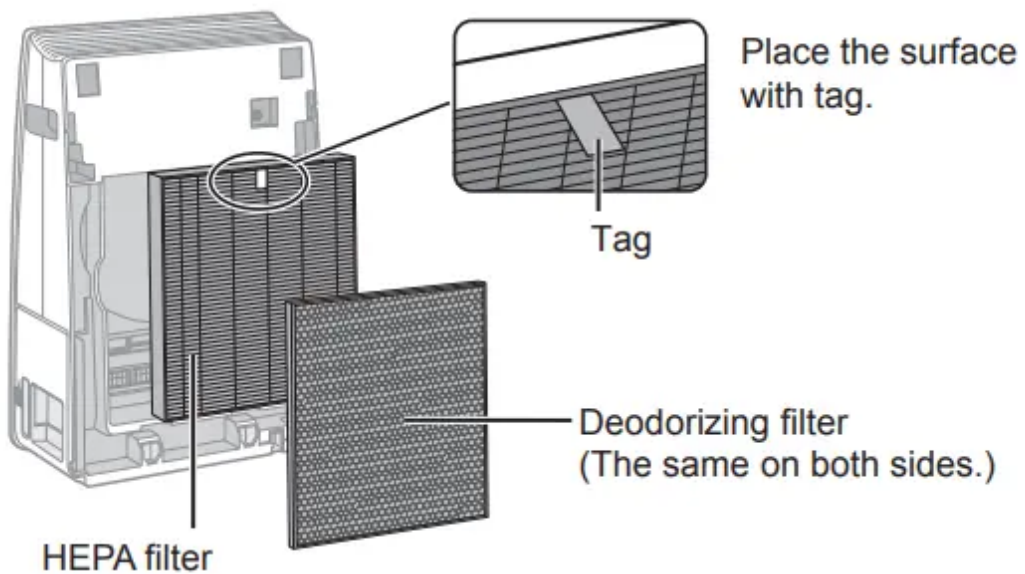
1. Remove the Back Panel.



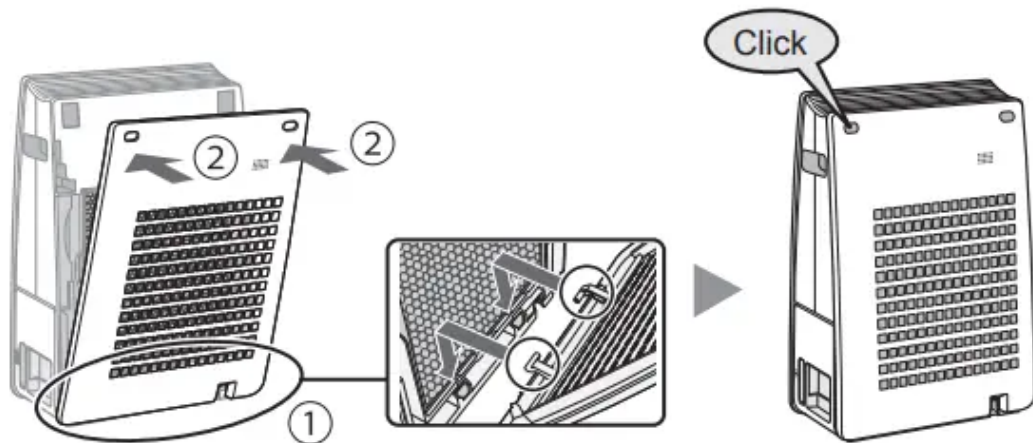
2. Remove the Filters from the plastic bag.



3. Install the Filters in the correct order as shown.



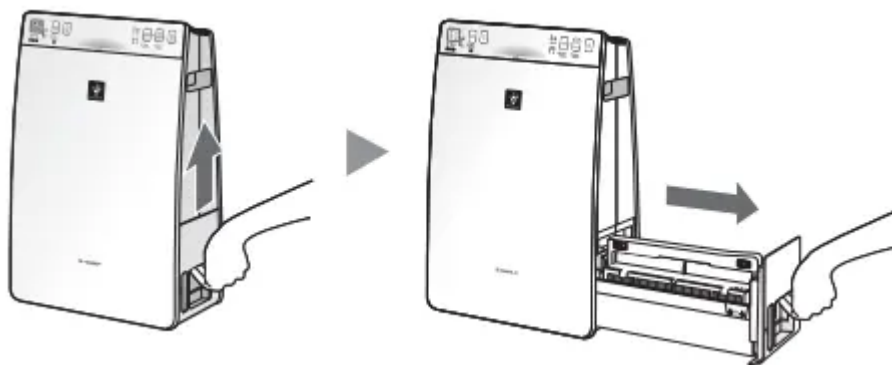
4. Install the Back Panel.



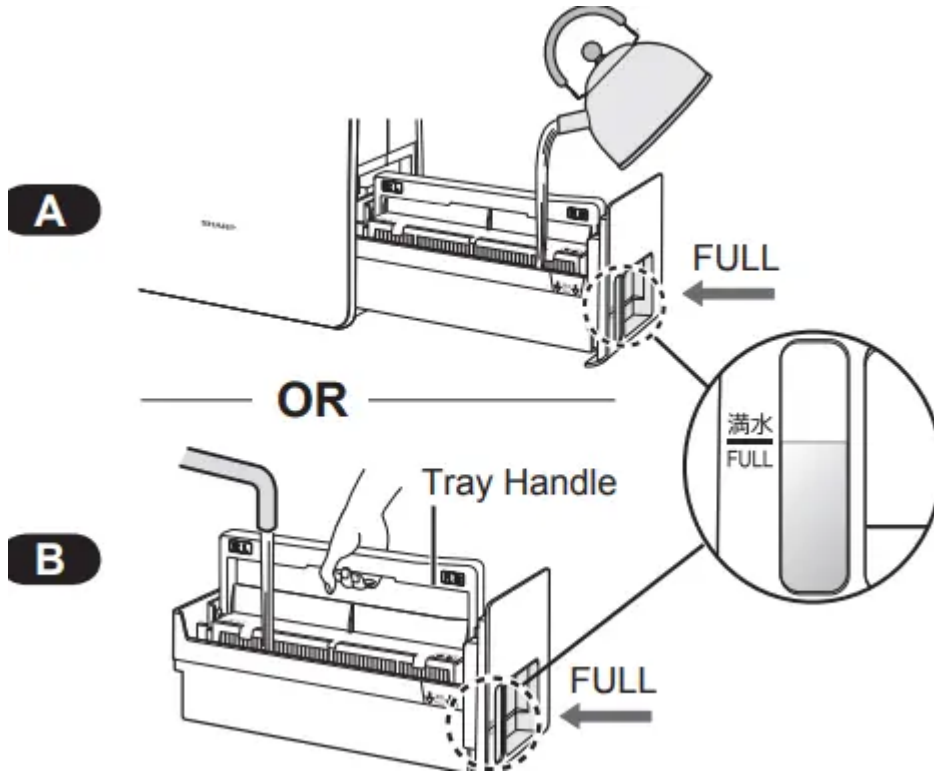
REFILLING THE HUMIDIFYING TRAY

Humidify air passed through by vaporizing water pumped up from Humidifying Tray.
The unit can be used even without water in the Humidifying Tray.

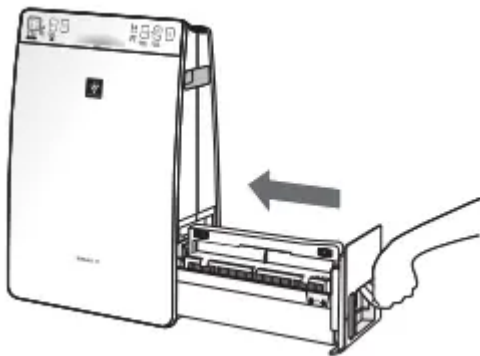
1. Pull out the Humidifying Tray.



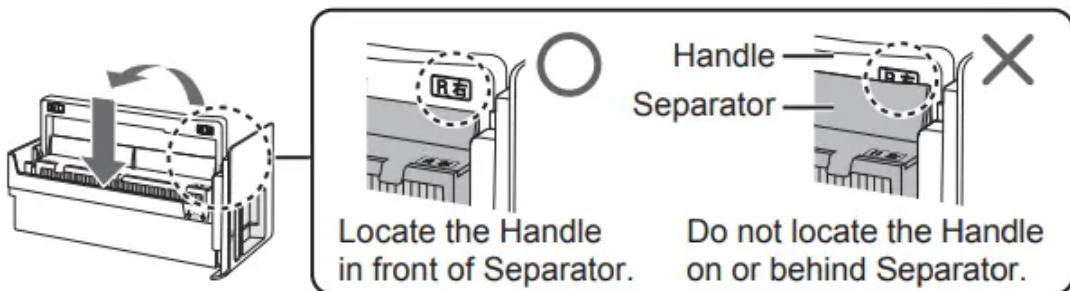
2. Fill the Humidifying Tray with tap water by method **A** or **B**.



3. Install the Humidifying Tray.



- Return the Tray Handle to its original position before installing.



OPERATION


Power ON / OFF

START



STOP

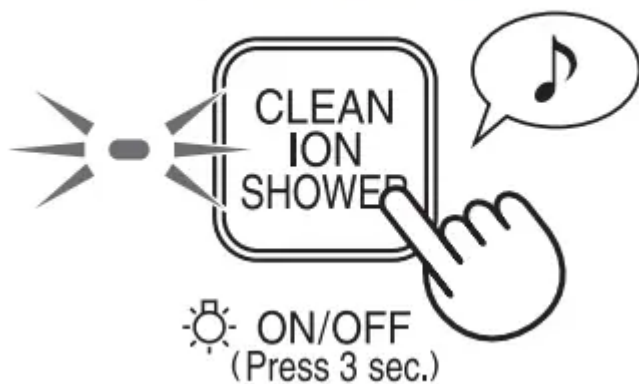


- Select the desired fan speed by  .
- Unless the power cord has been unplugged, the operation starts in the previous mode it was operated in.

CLEAN ION SHOWER

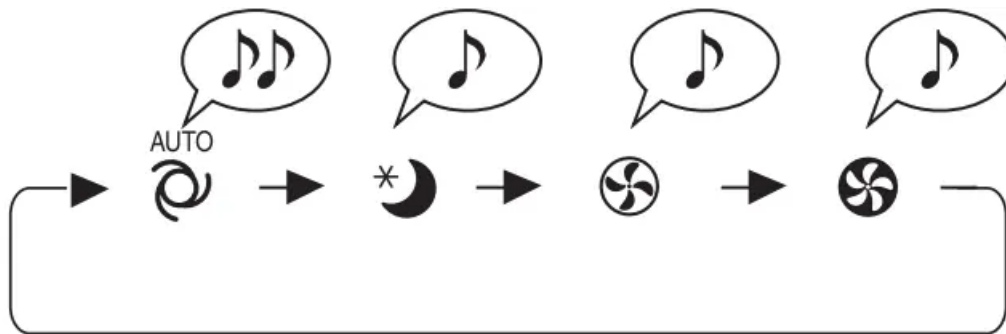
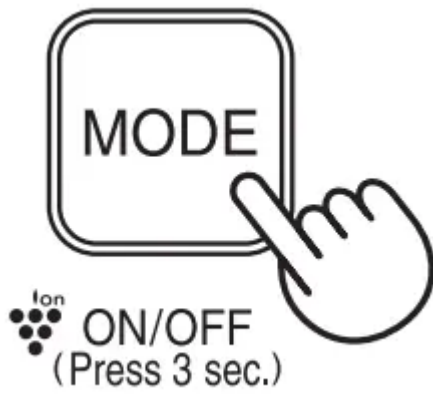
Releases high-density Plasmacluster ions and discharges strong air flow for 60 minutes.

START



FAN SPEED

Select the desired fan speed.



SLEEP 

- Front surface Indicators go off automatically.

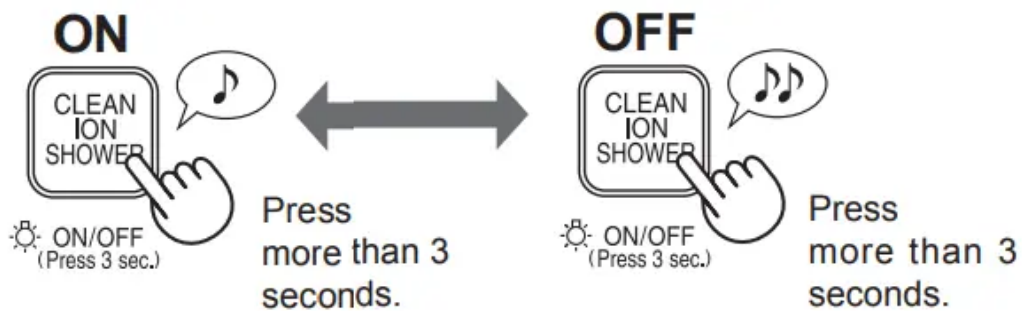
AUTO 

- The fan speed is automatically switched between HIGH and LOW depending on the humidity and the amount of impurities in the room.

USEFUL FUNCTION

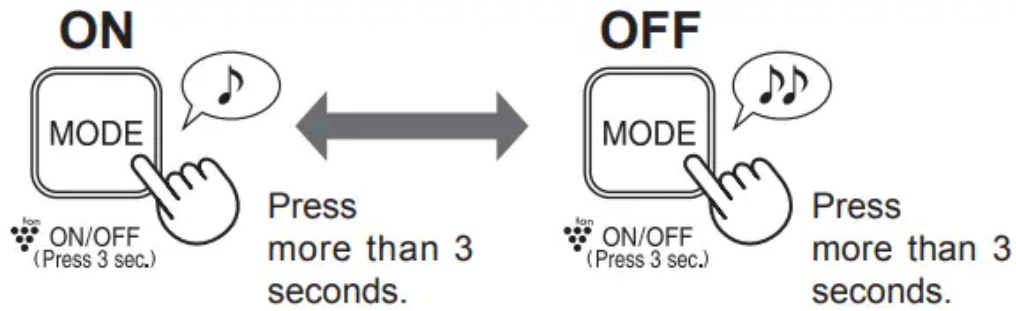
LIGHT CONTROL

You can set the front surface Indicators to OFF when the Indicator is too bright.



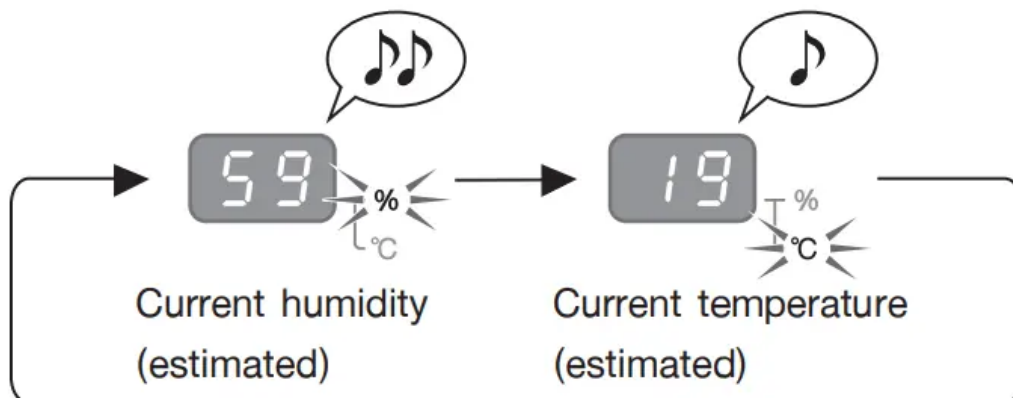
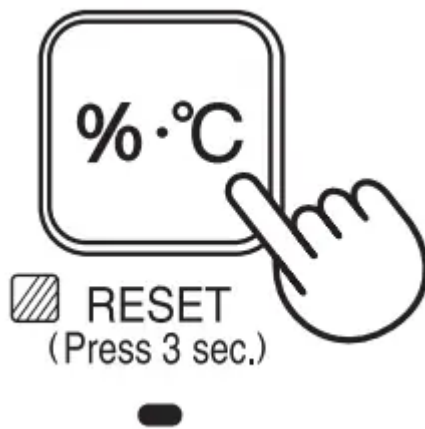
Plasmacluster Ion ON/OFF

When Plasmacluster Ion is ON, the Plasmacluster Ion Indicator Light is on. (blue)



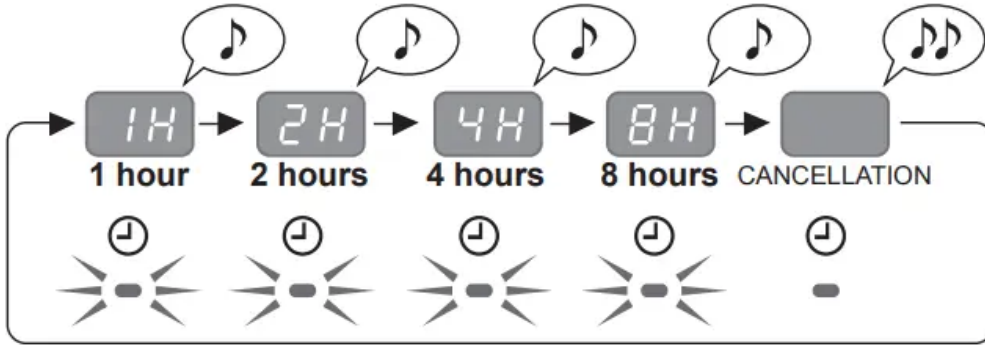
Changing display (humidity / temperature)

You can select either humidity or temperature at the time to be displayed.



Off TIMER

Select the length of time you want. The unit automatically stops once the selected time is reached.

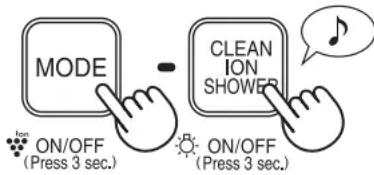


Auto RESTART

If the unit is unplugged or if there is a power failure, the unit will resume operation with the previous settings after power is restored. The default setting is ON.

ON

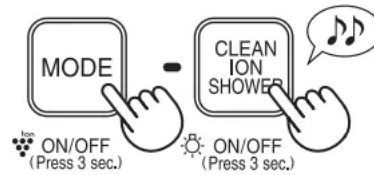
(with the unit OFF)



Press both buttons at the same time for 3 seconds or more.

OFF

(with the unit OFF)



Press both buttons at the same time for 3 seconds or more.

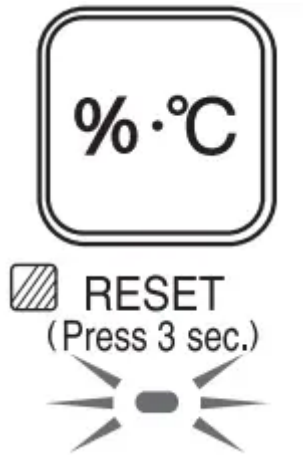
Lighting



If the fan, fan, and moon indicators light up for 10 seconds, the setting is completed.

CARE AND MAINTENANCE

FILTER INDICATOR

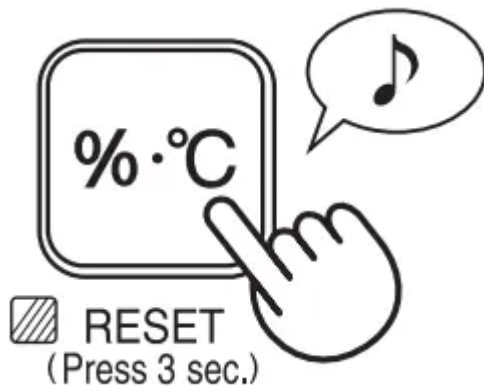


The filter Indicator Light will turn on after approximately 720 hours. (30 days × 24 hours =720 hours)

This is a reminder to perform the maintenance described below.
(Ref.E-11,E-12,E-13,E-14)



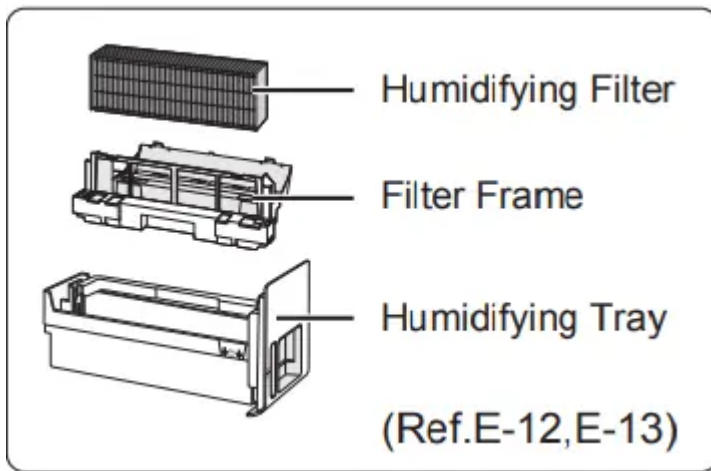
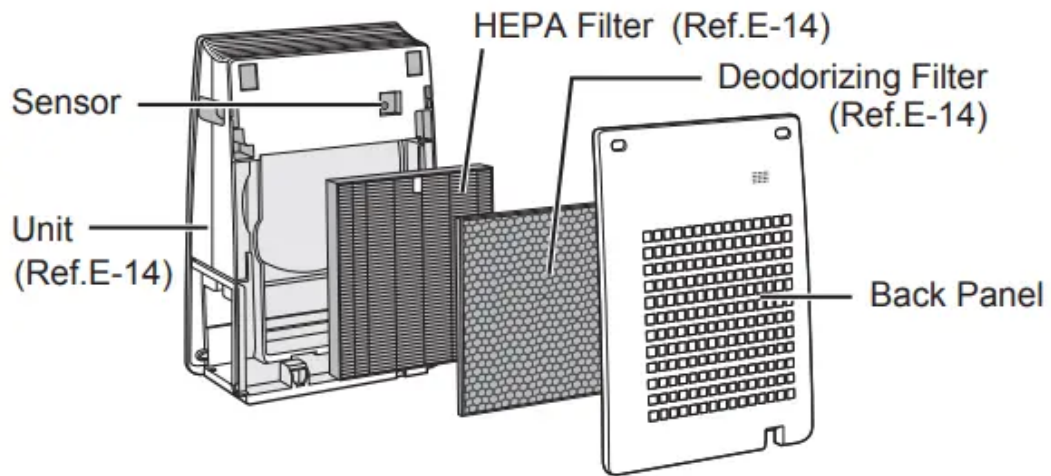
After performing maintenance, reset the Filter Indicator.



Press more than 3 seconds.

CARE INDEX

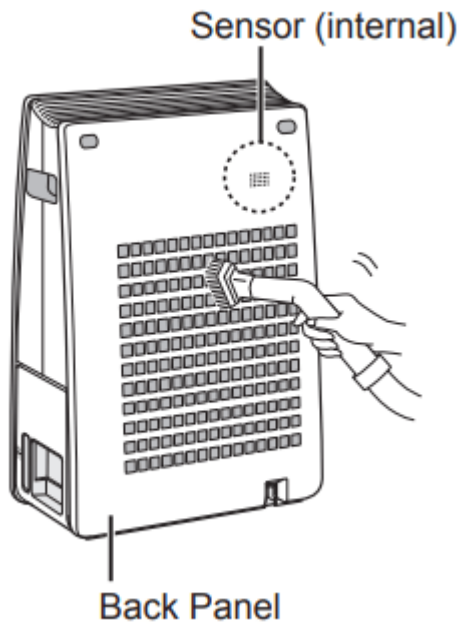
In case of using at the location where air pollution and odor are significant, maintain frequently even if Filter Indicator Light is not ON.



BACK PANEL

Gently remove dust with an appropriate cleaning tool, such as a vacuum cleaner with the proper attachment.

SENSOR



How to clean when overly dirty

BACK PANEL

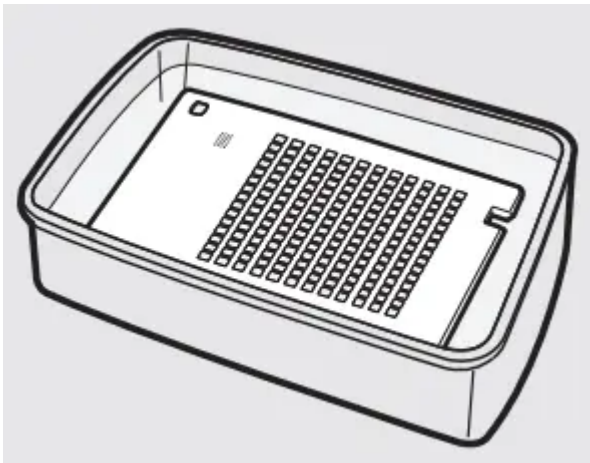
1. Add a small amount of kitchen detergent to water and soak for about 10 minutes.

Cause

- DO NOT apply excessive pressure when scrubbing the back panel.

2. Rinse off the kitchen detergent with clean water.

3. Completely dry the filter in a well-ventilated area.

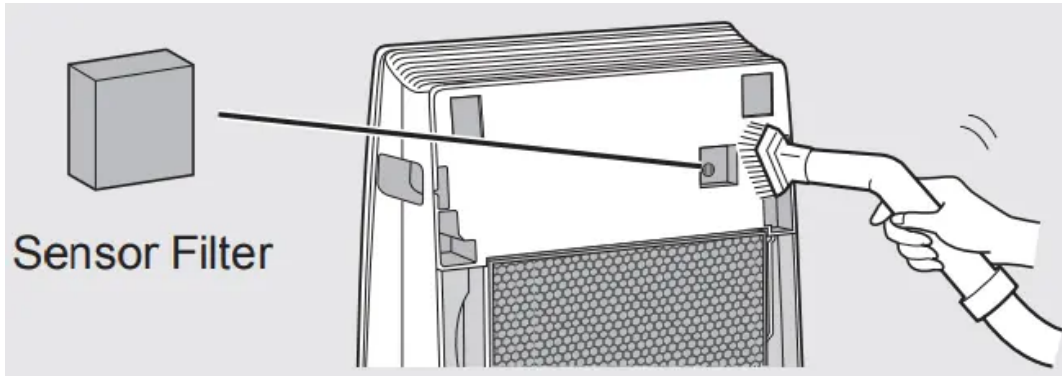


SENSOR

1. Remove the Back Panel and remove the Sensor Filter.

2. Gently remove dust from the Sensor with an appropriate cleaning tool, such as a vacuum cleaner with the proper attachment.

3. If the Sensor Filter is overly dirty, wash it with water and dry it thoroughly.



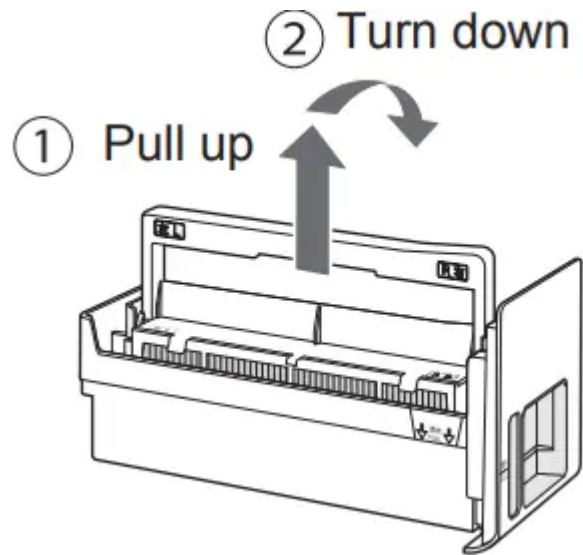
HUMIDIFYING FILTER / TRAY

Odor occurrence may be suppressed when washing Humidifying Filter and Humidifying Tray with water carefully even if the Filter Indicator Light is not ON.

Remove the Humidifying Filter from the Tray.

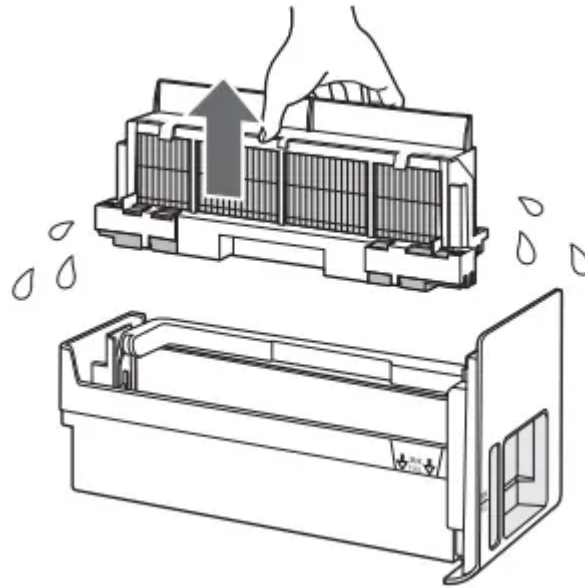
1. Remove the Humidifying Filter from the Tray

Turn the handle down on the reverse side.



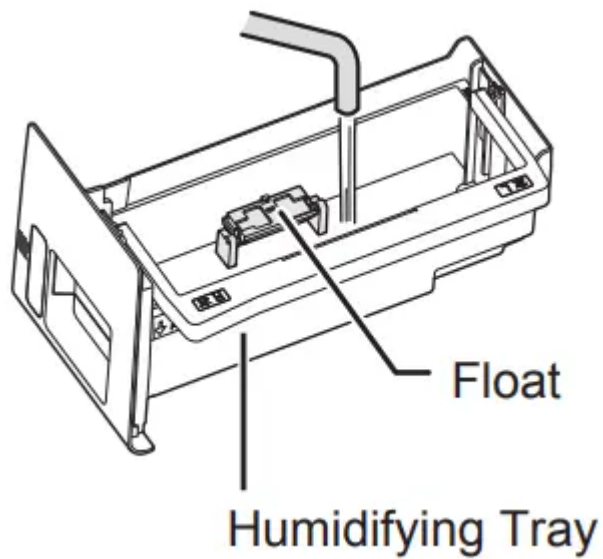
Remove the Filter Frame.

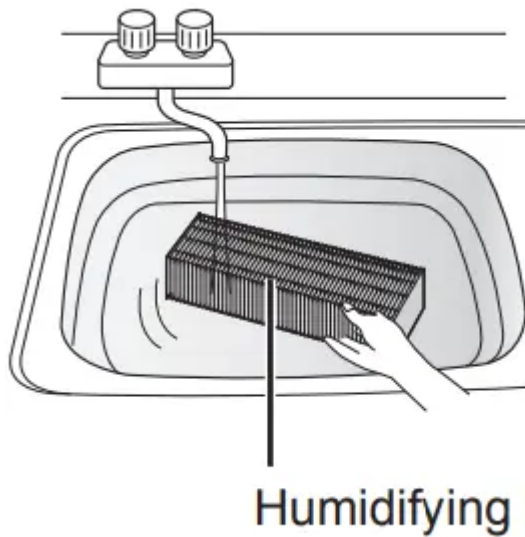
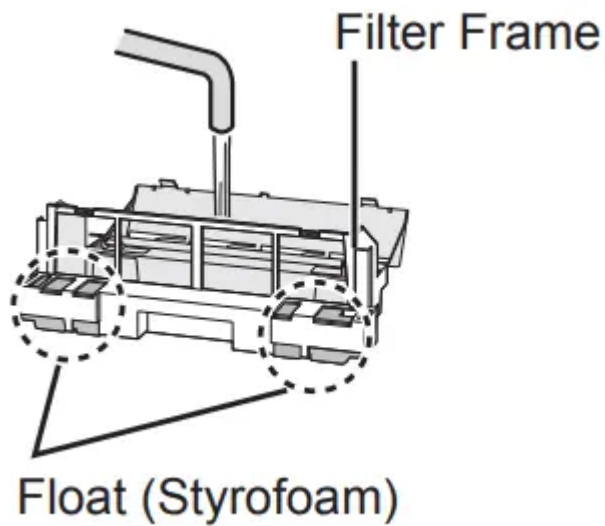




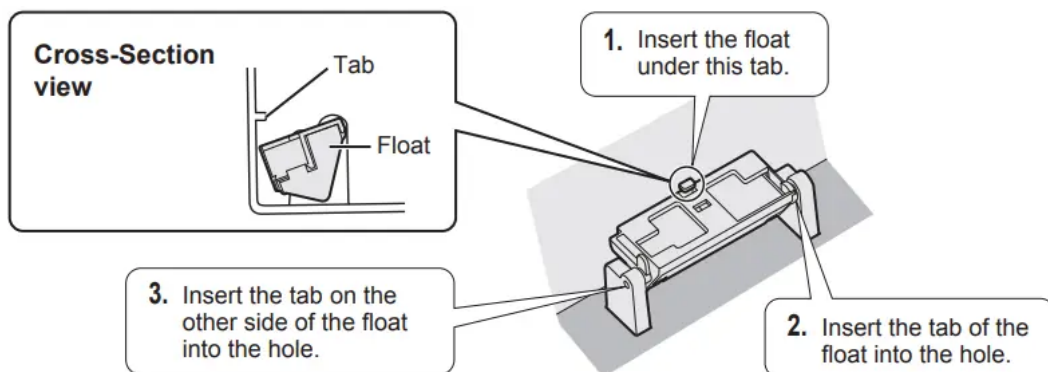
Remove the Humidifying Filter.

Rinse the Humidifying Tray, the Filter Frame and the Humidifying Filter.





- Do not remove the Floats.
- If the Float comes off from the Humidifying Tray, install it in the order shown below.



Always be sure to remove the power plug from the wall outlet.

2. How to remove the water scale

Recommended descaling solutions

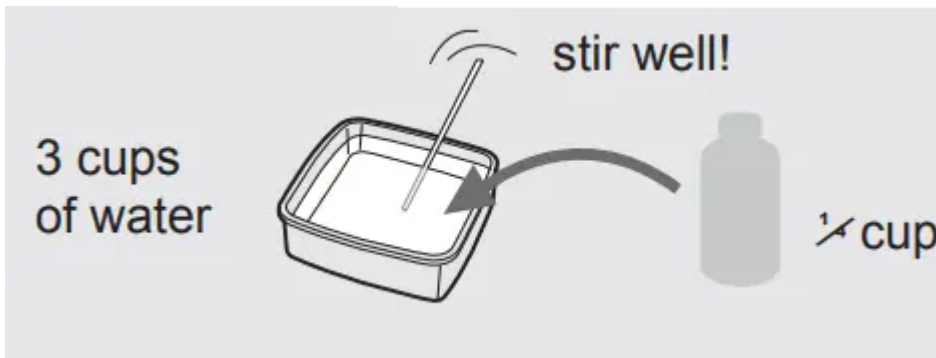
- Citric acid (available at some drugstores)

- 100% bottled lemon juice with no pulp.

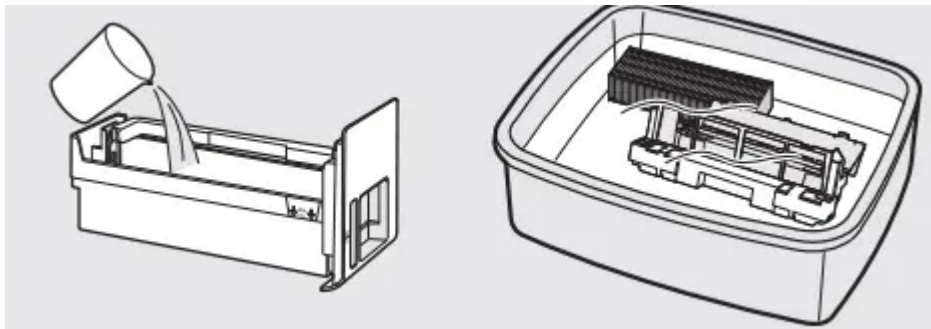
<with citric acid>



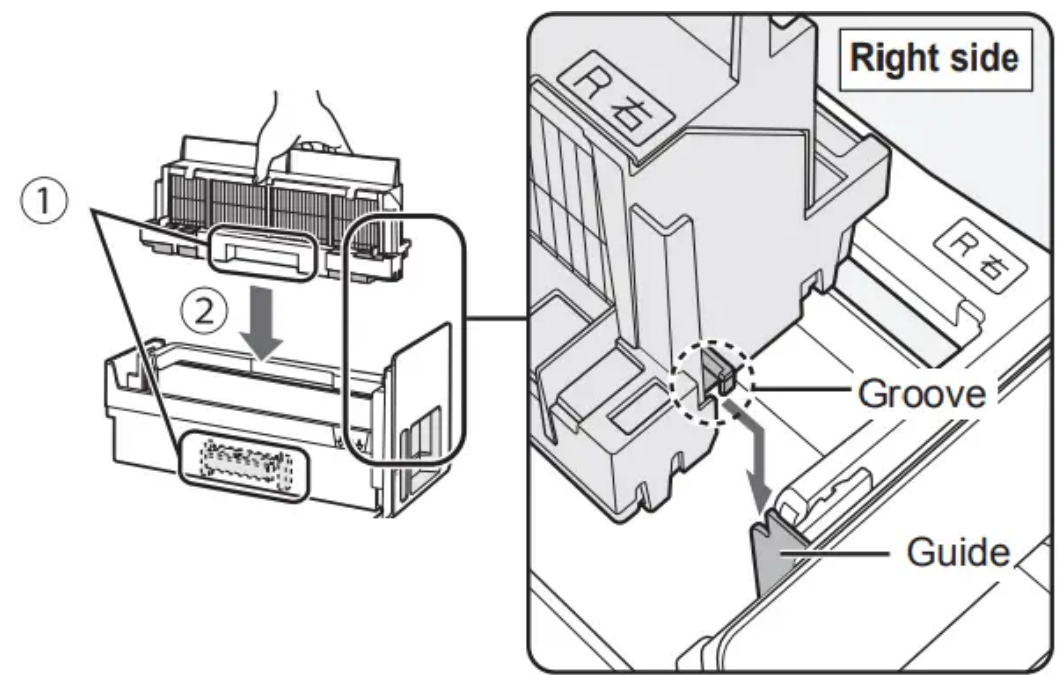
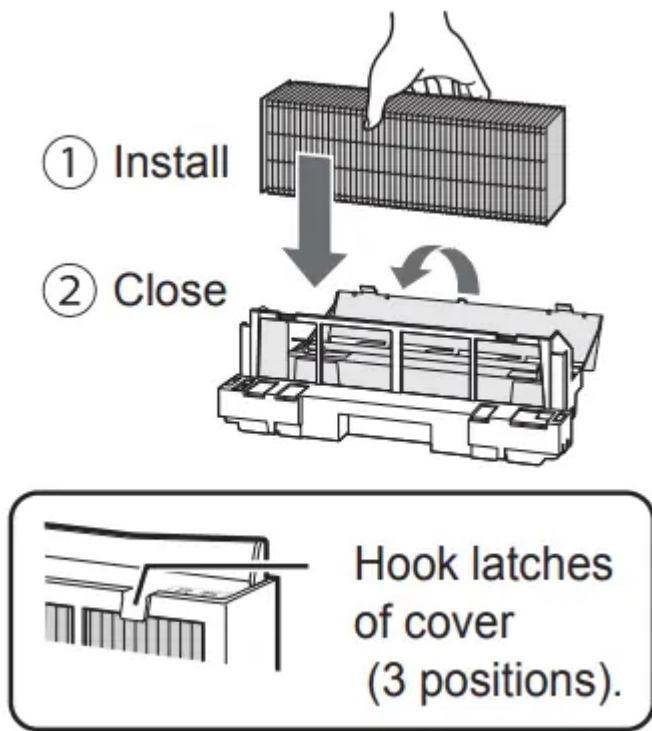
<with lemon juice>



1. Soak in water with a descaling solution for about 30 minutes.
2. Rinse off the descaling solution with plenty of water.



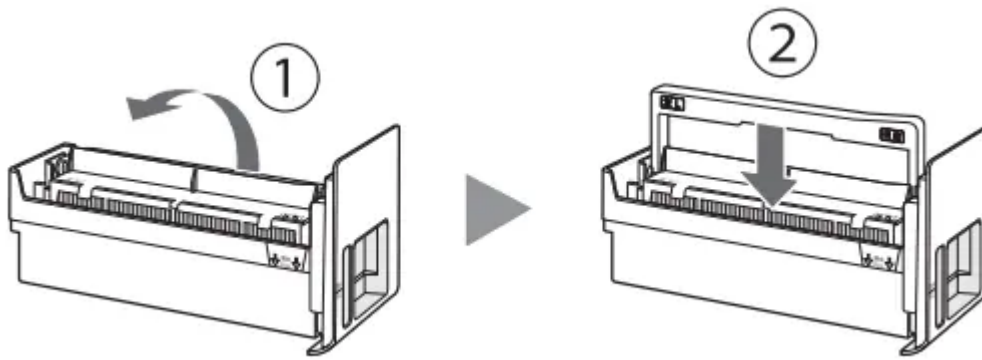
3. After maintenance, correctly reattach the parts.



Also in the same left side.

1. Align the directions.
2. Install Close Install the Humidifying Filter by fitting the grooves at left and right side to the guides on the Humidifying Tray.
4. **Return the Tray Handle to its original position.**





1. Lift the Tray Handle.
2. Return it to its original position.

UNIT

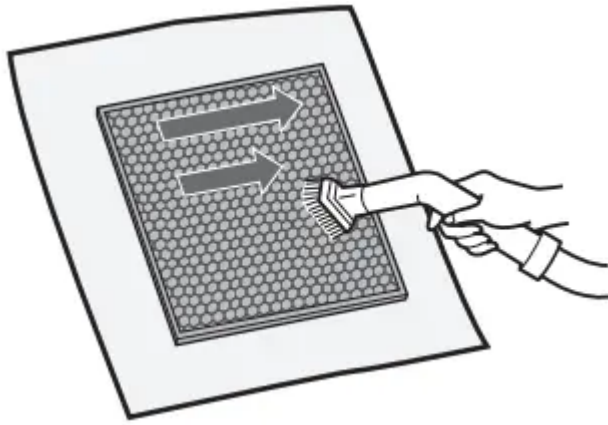
Wipe with a dry, soft cloth.



CLEANING FILTERS

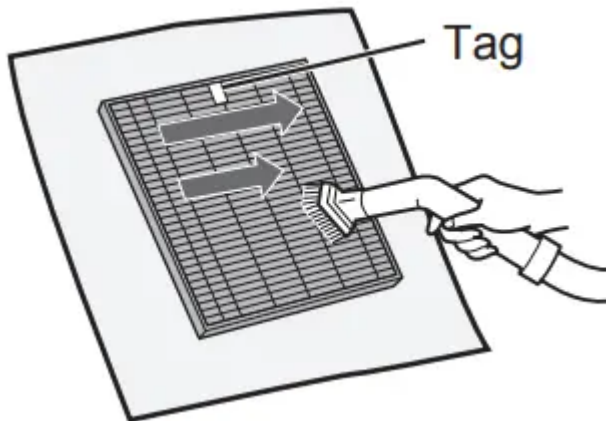
Gently remove dust with an appropriate cleaning tool, such as a vacuum cleaner with the proper attachment. In case of using at the location where air pollution and odor are significant, maintain frequently even if Filter Indicator Light is not ON.

DEODORIZING FILTER



- Both surfaces can be maintained.

HEPA FILTER



- Maintain only the tagged surface. Do not clean up the opposite surface.

Some odors absorbed by the filters will break down over time, causing additional odors. Depending on usage conditions, and especially if the product is used in environments significantly more severe than a normal household, these odors may become noticeable sooner than expected. Replace the filter in those cases or if dust is unable to be removed after maintenance.

FILTER REPLACEMENT

LIFE OF FILTERS

Filter life varies depending on the room environment, usage conditions, and location of the unit. Lifespan of HEPA filter and Deodorizing filter and replacement suggestions are based on purifying a room in which 5 cigarettes are smoked per day and the unit's dust collection and deodorizing performance has declined to half the level of a new filter.

We recommend replacing the filter more frequently if the unit is used in conditions significantly more severe (HAZE etc.,) than a normal household.

•HEPA Filter	About 2 years after first use
•Deodorizing Filter	About 2 years after first use
•Humidifying Filter	About 5 years after first use

Replacement Filter Model

Consult your dealer when purchasing a replacement filter.

AIR PURIFIER MODEL	REPLACEMENT FILTER MODEL		
	HEPA Filter : 1 unit	Deodorizing Filter : 1 unit	Humidifying Filter : 1 unit
KC-F30J	FZ-F30HFE	FZ-F30DFE	FZ-F30MFE

Disposing of filters

Dispose of used filters according to local laws and regulations. HEPA Filter material :

- Filter : Polypropylene
- Frame : Polyester

Deodorizing Filter material :

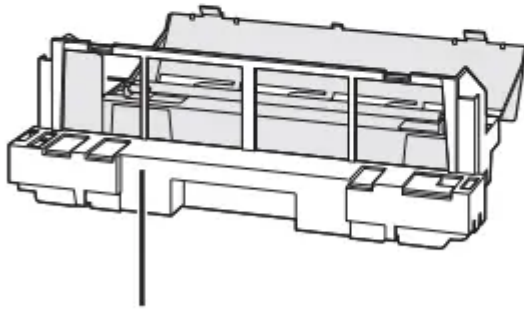
- Filter : Activated charcoal, Polyethylene terephthalate, Polypropylene
- Frame : Paper

Humidifying Filter material :

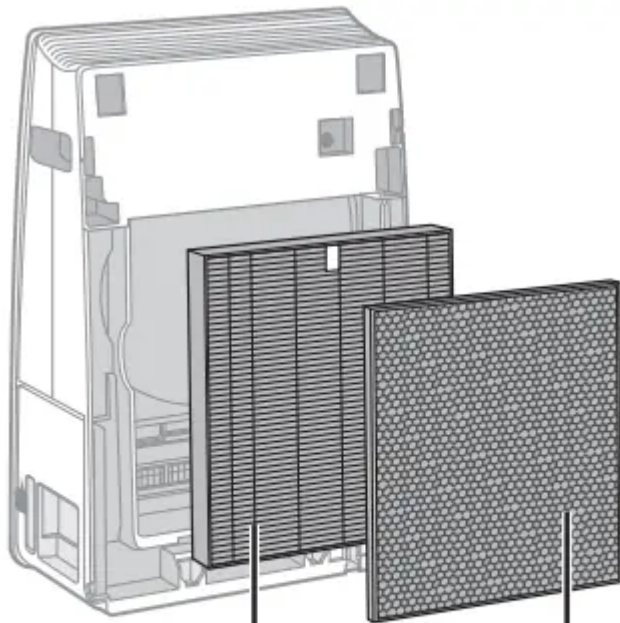
- Filter : Rayon, Polyester



Humidifying Filter



**Do not throw away
the Filter Frame (gray)**



HEPA Filter

Deodorizing Filter



TROUBLESHOOTING



SYMPTOM	REMEDY (the following are not due to a malfunction)
Odor and smoke persists	<ul style="list-style-type: none"> • Check the filters. If they appear to be extremely dirty, clean or replace them. (Ref. E-11,E-12,E-13,E-14,E-15)
The Dust Sign light is green even when the air is not clean.	<ul style="list-style-type: none"> • The air may have been dirty when the unit was plugged in. Unplug the unit, wait one minute, and then plug the unit in again.
The Dust Sign light is orange or red even when the air is clean.	<ul style="list-style-type: none"> • Dirty or clogged dust sensor openings interfere with sensor operation. Gently clean the back panel. (Ref. E-11).
The unit makes a clicking or ticking sound.	<ul style="list-style-type: none"> • The unit may make clicking or ticking sounds when it is generating ions.
Air discharged from the unit has an odor.	<ul style="list-style-type: none"> • Check to see if the filters are extremely dirty. • Clean or replace the filters. • Plasmacluster Air Purifiers emit small traces of ozone that can produce an odor.
The unit does not operate when cigarette smoke is in the air.	<ul style="list-style-type: none"> • Check to see if the unit is installed in a location that makes it difficult for the sensors to detect cigarette smoke. • Check to see if the dust sensor openings are blocked or clogged. If they are blocked or clogged, clean the back panel. (Ref. E-11)
The Filter Indicator Light is on.	<ul style="list-style-type: none"> • Whenever replacing the filters, connect the power cord to an outlet and then press the Filter Reset Button.
The Dust Sign lights are turned off.	<ul style="list-style-type: none"> • Check to see if the Lights OFF Mode is selected. If it is selected, press the Light ON/OFF Button to turn the indicator lights on. (Ref. E-9) • Check to see if the SLEEP mode is selected. (Ref. E-8)
The Humidify Light does not light off when the Humidifying Tray is empty.	<ul style="list-style-type: none"> • Clean the Humidifying Tray. Make sure that the unit is on a level surface.
	<ul style="list-style-type: none"> • Check to see if the Humidifying Tray is correctly installed. Check the Humidifying Filter.

<p>The water level in the Humidifying Tray does not decrease or decreases slowly.</p>	<ul style="list-style-type: none"> • If the Humidifying Filter is extremely dirty, clean or replace it. (Ref. E-12, E-13, E-15). • Humidification amount gets lower when humidity reaches to the proper amount (55 ~ 65%) by the actuation of humidity sensor in the case of fan speed automatic.
<p>The Dust Sign lights change color frequently.</p>	<ul style="list-style-type: none"> • The Dust Sign lights change color frequently.
<p>There is a discrepancy between the unit's Humidity Monitor and another hygrometer in the room.</p>	<ul style="list-style-type: none"> • There is a difference in the humidity level within the same room. • The sensor have different measurement parameters. • If the monitor indicates TEMPERATURE, press the Display Select Button. (Ref. E-9)

ERROR DISPLAY

DIGITAL INDICATION	ERROR DETAILS	REMEDY
	<p>Fan motor error</p>	<p>Unplug the unit, wait one minute, then plug he unit in again</p>
	<p>Temperature-humidity sensor error.</p>	

SPECIFICATIONS

Power supply		220-240V 50-60Hz		
Fan Speed Adjustment		MAX	MED	SLEEP
CLEAN AIR	Fan Speed (m ³ /hour)	180	125	52
	Rated Power (W)	27	12	4.1
	Noise Level (dBA)	48	38	21
CLEAN AIR & HUMIDIFY	Fan Speed (m ³ /hour)	180	125	52
	Rated Power (W)	27	12	4.1
	Noise Level (dBA)	48	38	21
	Humidification (mL/hour)*1	350	280	140
Recommended Room Size (m ²)*2		~21		
High density Plasmacluster ion recommended room size (m ²)*3		~17		
Humidifying Tray Capacity (L)		1.8		
Sensors		Dust / Temperature & Humidity		
Filter type	Dust collection	HEPA *4		
	Deodorization	Deodorizing		
Cord Length (m)		2.0		
Dimensions (mm)		380 (W) × 197 (D) × 570 (H)		
Weight (kg)		7.2		

*1 • The amount of humidification changes in accordance with indoor and outdoor temperature and humidity. The amount of humidification increases as temperatures rises or humidity decreases. The amount of humidification decreases as temperatures decrease or humidity rises.

• Measurement Conditions : 20 °C, 30 % humidity (JEM1426)

*2 • The recommended room size is appropriate for operating the unit of maximum fan speed.

• The recommended room size is an area in which a given amount of dust particles can be removed in 30 minutes.

*3 • Room size in which approximately 7000 ions per cubic centimeter can be measured in the center of the room when the unit is placed next to a wall, is running at maximum settings, and is at a height of approximately 1.2 meters from the floor.

*4 • The filter removes more than 99.97% of particles at least 0.3-microns in size. (JEM1467)

Standby Power

When the unit's power plug is inserted in a wall outlet it consumes about 0.9 watts of standby power in order to operate electrical circuits. To conserve energy, unplug the power cord when the unit is not in use.

Information on Disposal

This product should not be disposed of in a general waste bin as it contains materials that should be recycled, which is good for the environment. If you are in doubt about the correct disposal method, contact your local council.

Warning

This content is compiled from multiple sources and is provided for reference purposes only. It may not be complete or fully applicable to all situations. If you are unable to resolve your issue, please contact the product manufacturer or an authorized service provider for official support.

Document generated by [ManualsFile](#)