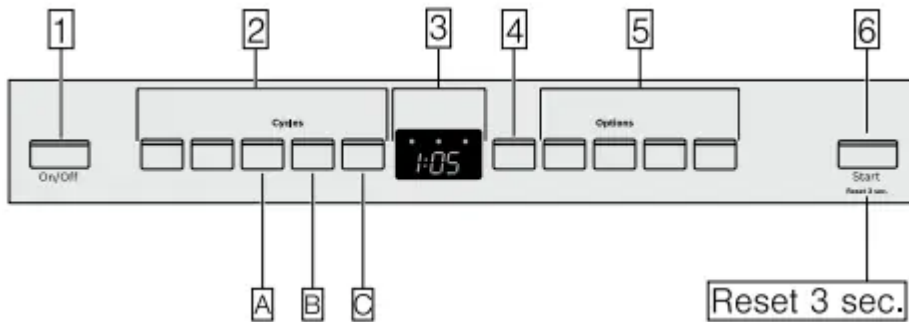


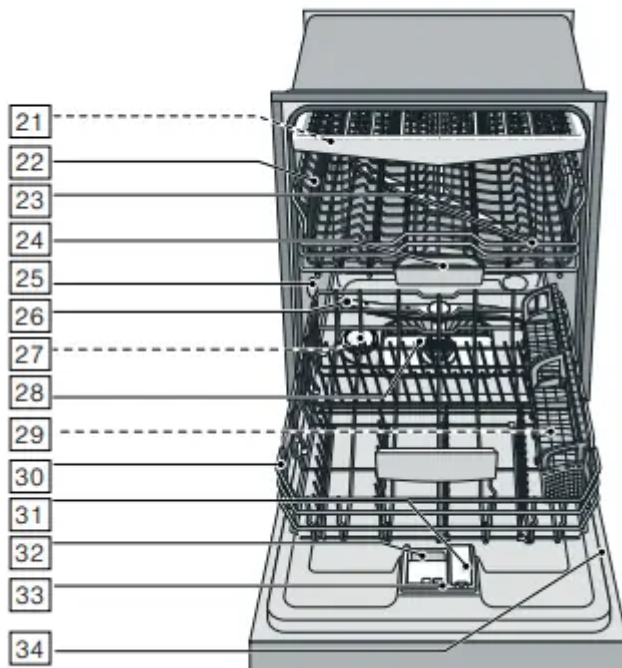
# Getting Started

## Appliance overview



## Operating panel

1. On/Off button
2. Wash cycles
3. Digital display
4. Delay start button
5. Wash cycle options
6. Start button



The dotted lines show optional features which may or may not be included with your dishwasher.

The numbers stated below refer to the overview images on the previous page of this manual.

## Dishwasher interior components

- 21 Third rack \*
- 22 Upper rack
- 23 Upper spray arm
- 24 Detergent tab tray
- 25 Vent hole
- 26 Lower spray arm
- 27 Dispenser for special salt \*
- 28 Filters
- 29 Silverware basket \*
- 30 Lower rack
- 31 Rinse aid dispenser
- 32 Detergent dispenser
- 33 Lock for detergent dispenser
- 34 Rating plate

## Menu overview

The dishwasher has been preset with certain settings for your convenience. You can change these factory settings.

Setting	Factory setting	Description
<b>d</b> Intensive drying <i>d:00 - d:01</i>	<i>d:00 / Off</i>	Improved drying for glasses and plasticware.
<b>r</b> Rinse aid <i>r:00 - r:06</i>	<i>r:05</i>	Amount of rinse aid affects drying.
<b>b</b> Cycle completion signal <i>b:00 - b:03</i>	<i>b:02</i>	Signal sounds when wash cycle is complete.
<b>P</b> Auto power off <i>P:00 - P:02</i>	<i>P:00</i>	Dishwasher switches off automatically after wash cycle is complete.
<b>I</b> Info light <i>I:00 - I:01</i>	<i>I:01 / On</i>	Light is projected to signal an active wash cycle.
<b>o</b> Auto door open <i>o:00 - o:01</i>	<i>o:00 / Off</i>	Door automatically opens at the end of every cycle except rinse.

## Rinse Aid

To achieve proper drying, always use a liquid rinse aid, even if your detergent contains a rinse aid or drying additive.

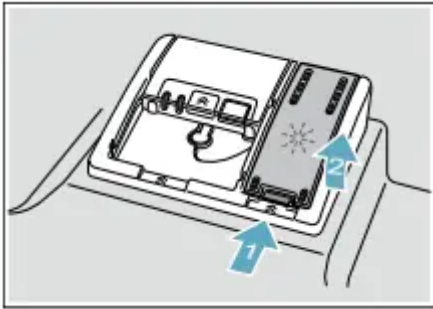
**Note:** The dishwasher indicates low rinse aid by turning on the Rinse Aid indicator. If this indicator lights up, you need to refill the rinse aid dispenser 9\* by following the directions below.

### Adding rinse aid

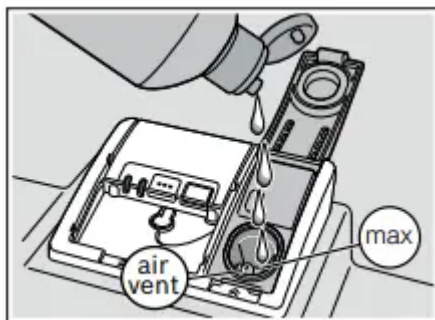
#### NOTICE

To avoid oversudsing or clogging, do not overfill the rinse aid dispenser 9\*. Wipe up any spills with a damp cloth.

1. Open the rinse aid dispenser 9\* by pressing on the latch of the lid and pull it open.



2. Add liquid rinse aid to the dispenser 9\* until it is full. Do not overfill. Avoid spilling into air vent hole.



3. Close the lid. Lid must be fully closed until it clicks in order to seal.

4. Wipe up any excess rinse aid that may have puddled when the dispenser reservoir is full.

The indicator light will go out a few moments after the dishwasher door is shut. \

**Tip:** For easier pouring, remove lid from the rinse aid bottle.

#### NOTICE

Do not fill the rinse aid dispenser 9\* with detergent. Doing so will damage the dishwasher

Setting	Amount
r:00	dispenser is OFF
r:01	lowest setting
r:02	low setting
r:03	medium setting
r:04	medium/high setting
r:05	high setting
r:06	highest setting

1. Press the On/Off button 1 .
2. Hold down the function key A and press the Start button 6 P until the display 3 indicates H:0x or d:0x (x can be any number). Release both buttons.
3. Press the function key A until the display 3 shows r:05.
4. Press the function key C to select the desired setting.
5. Press the Start button 6 to save the setting.

## Loading the Dishwasher

### Dishware material

**Note:** Before using your dishwasher for the first time, check the information in this section. Some items are not dishwasher-safe and should be hand washed; others require special loading.

### *Recommended*

#### Aluminum

Colored anodized aluminum may fade over time. Minerals in your water may cause the aluminum to darken or spot. This can usually be removed with a soap-filled steel wool pad.

#### China, Crystal, Stoneware

Some hand-painted utensils may discolor, fade or spot. Hand wash these utensils. Position fragile glassware so that it will not topple over or come in contact with other utensils during the wash cycle.

#### Glass

Make sure to use dishwasher-safe glass. Milk glass may discolor or become yellow.

#### Non-stick Coatings

Apply a light coating of vegetable oil to non-stick surfaces after drying.

#### Plastics

Make sure the plasticware is dishwasher-safe.

#### Stainless Steel, Sterling Silver and Silver Plates

Load these so they do not come in contact with other metals, stainless steel dishwasher tub walls or the inner door.

## Loading the racks

- For best dishwashing results, observe the following when loading the dishwasher:
- Do not pre-wash items with loosely attached food soil.
- Remove all food particles, bones, toothpicks and excessive grease.
- Pre-treat items having burned-on, baked-on or starchy soils.
- Load dishes in the dishwasher racks so the insides of bowls, pots and pans are facing the spray arms.
- Avoid nesting and contact points between dishes.
- Separate items of dissimilar metals. Use care to not block movement of the spray arms.
- Only wash household dishware and kitchenware rated as dishwasher-safe. Refer to the Dishware Materials section for more information about dishware suitability.

### NOTICE

To avoid dishwasher damage, do not load the dishwasher with paper products, plastic bags, packing materials or anything other than normal, dishwasher safe dishware and kitchenware.

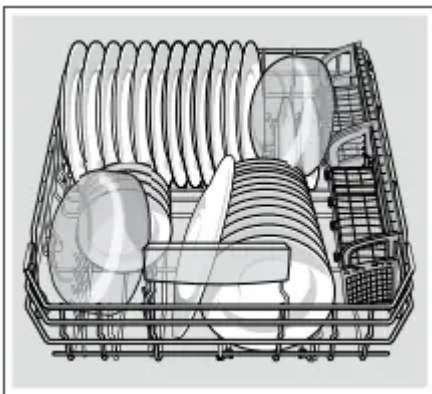
### Loading the upper rack

Ensure items do not protrude through the bottom of the racks and block the spray arms.

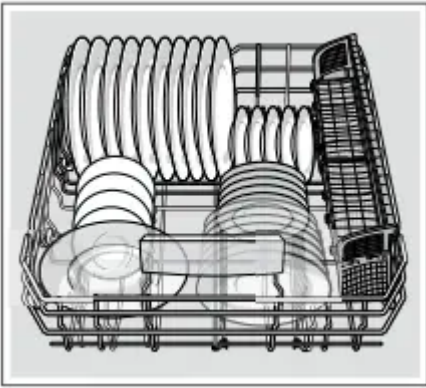
**Note:** When pushing the upper rack 22 into the dishwasher, push it until it stops against the back of the tub so the upper rack spray arm 23 connects to the water supply at the back of the tub. Do not push racks in using the door.

### Loading patterns for lower rack

*12 place setting suggested loading pattern*



*Alternate loading pattern*



*Alternate loading pattern with pots and pans*



For best results, load large items face down in the lower rack.

### **Loading patterns for upper rack**

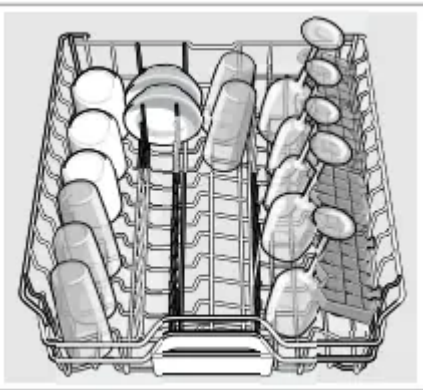
12 place setting suggested loading pattern, with third rack cutlery drawer \*



**Alternate loading pattern**



### Alternate loading pattern with stemware



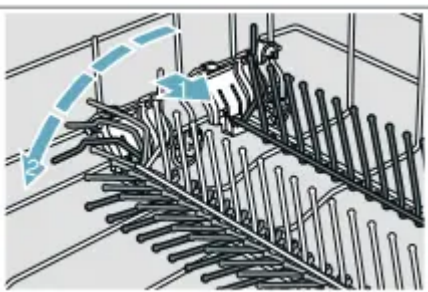
Use supports to load stemware glasses in the upper rack.

## Rack accessories

### Rack accessories

The upper and lower rack are fitted with flip tines that can be folded down depending on what you may need to load in the rack.

Lower rack flip tines: To fold down, pull flip tine gently forward and release it from the notch. Push the flip tine downward. To fold up, push flip tines into an upright position until the holder engages in the notch.

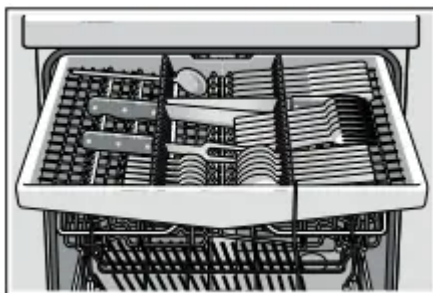


Upper rack flip tines: To fold down, push flip tines downward with gentle pressure. To fold up, push flip tines into an upright position until the holder engages in the notch.

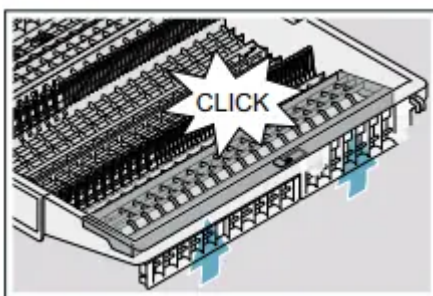
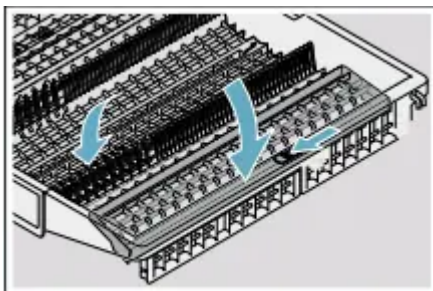


### Third rack

The third rack 1\* horizontally positions knives, spatulas and other oversized tools for improved cleaning and easier loading and unloading. Arrange cutlery in third rack as illustrated



You can fold down the side shelves to provide more room for taller items of silverware.\* The front rows of prongs can be folded down to provide room for wider handles.

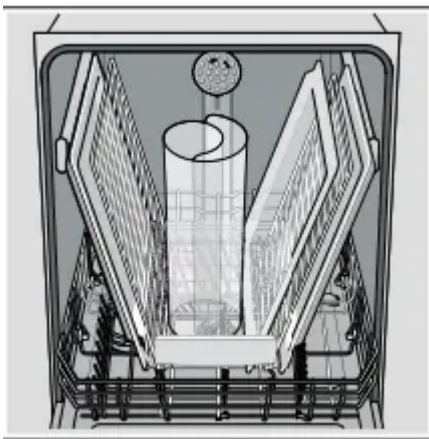
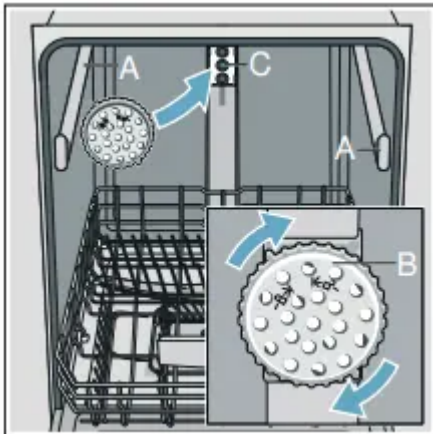


\* optional feature which may or may not be included with your dishwasher.

### Extra tall item sprinkler\*

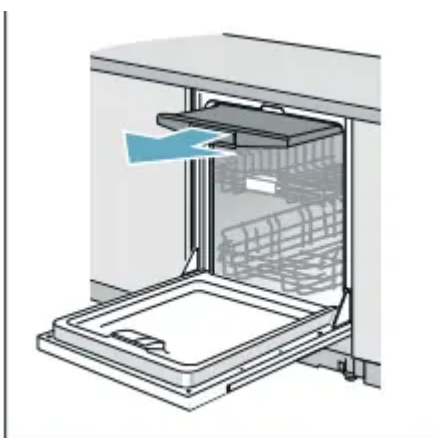
If an item is too tall to be placed in the lower rack 30 even with the upper rack 22 in the raised position, remove the empty upper rack 22 by pulling it out of the dishwasher until it stops. Pull the front of the rack upward and outward until the rack will not slide out anymore. Then lift it up and away from the dishwasher, until the rollers are completely free of the roller guides (A).

Set the upper rack 22 aside and push the roller guides (A) back into the dishwasher. Insert the extra tall item sprinkler (B) into the upper rack spray outlet (C) and turn the sprinkler clockwise to lock into position.



**Note:** Keep the vent hole 25 on the tub's left side clear by placing tall items such as plastic cutting boards and tall baking sheets on the lower rack's right side or center.

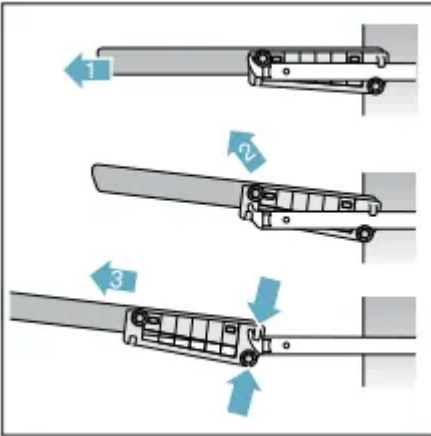
## Removing/Installing third rack



### Removing third rack 21

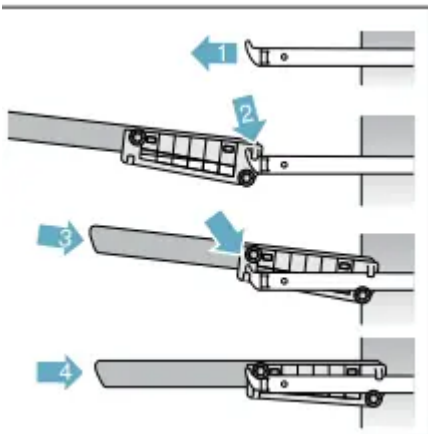
1. Pull out third rack all the way (1).

2. Lift upper rollers over the stopper hooks of both rails (2).
3. Pull third rack out forward and upward so that the holding hooks and the lower rollers of the rack slide over the stopper hooks of both rails (3).



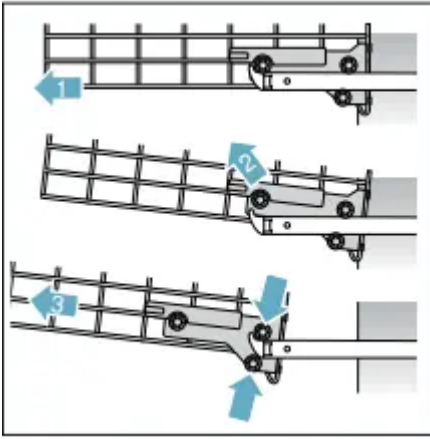
### Installing third rack 21

1. Pull out third rack rails all the way (1).
2. Insert third rack at an angle. Make sure that the stopper hooks of both rails slide in between the holding hooks and the lower rollers of the third rack (2).
3. Slide third rack in and lift the upper rollers over the front stopper hooks of both rails (3).
4. Push in third rack (4).



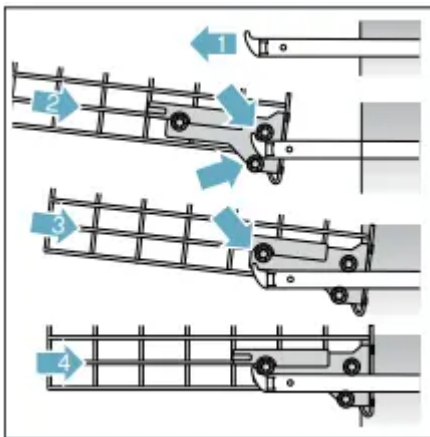
### Removing upper rack 22

1. Pull out upper rack all the way (1).
2. Lift front rollers over the stopper hook of the rail (2).
3. Pull out upper rack forwards and upwards so that the upper and lower rollers of the rack slide over the stopper hooks of both rails (3).



### Installing upper rack 22

1. Pull out upper rack rails all the way (1).
2. Insert upper rack at an angle. Make sure that the stopper hooks of both rails slide in between the upper and lower rollers on the rear side of the rack (2).
3. Slide upper rack in and lift the upper rollers over the front stopper hooks of both rails (3).
4. Push in upper rack (4).



## Dishwasher Cycle Options

### Delay

Allows you to delay the start time of your dishwasher up to 24 hours.

### SpeedPerfect™

SpeedPerfect™ is an option that allows saving time without sacrificing wash and dry performance. Selecting this option ensures the same final temperatures as the underlying cycle by starting the heat period at an earlier phase in the program. Selecting this option also increases energy consumption while reducing cycle time.

### Half Load

Can reduce water consumption when washing small, lightly soiled loads that fill approximately half or less of the dishwasher's capacity.

### **Delicate**

This option's reduced time and temperature are best for lightly soiled items with easy to remove food soils. The option also reduces the likelihood of cloudy glasses. Rinse aid is recommended for the high gloss drying function (even when using combination detergents).

### **Sanitize**

Increases the temperatures and retains them for an extra long time to obtain a defined disinfecting performance. Continuous use of this function increases the hygiene status. This additional option is ideal for cleaning items such as chopping boards and baby bottles. "Sanitized" will appear in the display window when sanitation requirements are met. Using the Sanitize option may also improve drying. There is a slight increase in energy consumption.

### **AutoAir™**

This option automatically releases the door at the end of the cycle to let moisture escape and fresh air circulate for drier dishes.\* \* Compared to Bosch dishwashers with PureDry.

### **ExtraScrub**

This option increases pressure and temperature in the lower rack for intensive cleaning.

### **Wash Cycle Information**

To save energy, this dishwasher has EcoSense where the sensors in the dishwasher automatically adjust the cycle length, temperature and water changes based on the amount of food soil and the incoming water temperature. The "Smart Control" makes decisions that can cause the cycle time and water usage to adjust intermittently. Wash cycle times are based on 120°F (49° C) water supply. If your household water supply is different than 120°F (49° C), your dishwasher's cycle times may be impacted.

	Heavy	Auto	Normal	Speed60®	Rinse
Cycle time min.	110-135	105-129	130-135	60	9
Water usage gal/L	4.9-6.4/ 18.6-24.2	3.4-6.4/ 12.9-24.1	2.3-5.5/ 8.8-21	3.8/ 14.3	1.1-/ 4.1
Wash temp. °F/°C	151-160/ 66-71	131-140/ 55-60	113-131/ 45-55	122/ 50	in-coming
Rinse temp. °F/°C	162/ 72	153-162/ 67-72	156/ 69	158/ 70	in-coming

#### Extra Scrub

Cycle time min.	125-150	120-145	145-150	N/A	N/A
Water usage gal/L	4.9-6.4/ 18.6-24.2	3.5-6.4/ 13.3-24.1	2.3-5.5/ 8.8-21	N/A	N/A
Rinse temp. °F/°C	162/ 72	153-162/ 67-72	156/ 69	N/A	N/A

#### SpeedPerfect™

Cycle time min.	105-120	85-100	95-105	N/A	N/A
Water usage gal/L	4.3-5.4/ 16.3-20.5	4.3-5.3/ 16.1-20	4.4-5.6/ 16.6-21.1	N/A	N/A
Rinse temp. °F/°C	162/ 72	162/ 72	162/ 72	N/A	N/A

#### Half Load

Cycle time min.	114	95-100	87-97	N/A	N/A
Water usage gal/L	4.7/ 17.9	2.7-4.4/ 10.2-16.5	2.9-3.7/ 10.8-13.9	N/A	N/A
Rinse temp. °F/°C	162/ 72	158-162/ 70-72	162/ 72	N/A	N/A

	Heavy	Auto	Normal	Speed60®	Rinse
--	-------	------	--------	----------	-------

#### Delicate

Cycle time min.	105-120	90-105	100-120	N/A	N/A
Water usage gal/L	4.9-6.4/ 18.6-24.2	3.4-6.4/ 12.9-24.1	2.3-5.5/ 8.8-21	N/A	N/A
Rinse temp. °F/°C	140/ 60	140/ 60	140/ 60	N/A	N/A

#### Sanitize

Cycle time min.	150-175	149-179	160-180	N/A	N/A
Water Usage gal/L	4.9-6.4/ 18.6-24.2	3.4-6.4/ 12.9-24.1	2.3-5.5/ 8.8-21	N/A	N/A
Rinse temp. °F/°C	162/ 72	162/ 72	162/ 72	N/A	N/A

#### AutoAir™

Cycle time min.	155-180	148-178	151-186	117	
Water usage gal/L	4.9-6.4/ 18.6-24.2	3.4-6.4/ 12.9-24.1	2.3-5.5/ 8.8-21	3.8 14.3	
Rinse temp. °F/°C	149/ 65	145/ 63	145/ 63	147/ 64	

**Note:** Only sanitizing cycles have been designed to meet the requirements of Section 6 of the NSF/ANSI Standard for Residential Equipment for soil removal and sanitization efficacy. There is no intention, either directly or indirectly, to imply that all cycles have passed sanitization performance tests.

### **Protection against unintentional operation**

Your dishwasher is equipped with a function that helps to prevent unintentional operation (e.g. by children).

After starting the dishwasher, the dishwasher door has to be closed within 4 seconds, otherwise the operation will be paused. There will be a signal on the control panel advising you to press the Start button again and close the door. This function will be activated when:

- pressing Start to begin a wash cycle
- setting Delay time and pressing Start
- opening the door while Delay time is active
- opening the door during a wash cycle.

**Note:** This function cannot be deactivated.

### **AquaSensor**

The AquaSensor is an optical measuring device which measures the cleanliness of the rinse water. The AquaSensor is used according to the wash cycle. If the AquaSensor is active, "clean" rinse water can be transferred to the next rinse and water consumption can be reduced by 0.8–1.5 gal (3–6 liters). If the rinse water is not yet clear, the water is drained and is replaced with fresh water. In the automatic wash cycles the temperature and running time can also be adjusted to the degree of soiling.

### **Switching the appliance on**

1. Turn the water supply on fully.
2. Open the door.
3. Press the On/Off button 1. The display of the last selected wash cycle flashes. This wash cycle remains selected if no other wash cycle button 2 is pressed. The expected wash cycle duration flashes on the display 3. Select any desired option.
4. Press Start button 6. Wash cycle sequence starts.

**Note:** Your dishwasher is protected against unintentional operation. If the appliance door remains open for more than 4 seconds after pressing the Start button, the operation will be paused. Press the Start button again and close the appliance door.

### **Time display**

When a wash cycle is selected the remaining wash cycle time is shown on the display 8. The wash cycle time is determined during the wash cycle by the water temperature, the amount of dishes, as well as the degree of soiling and may vary (depending on the selected wash cycle).

#### To change the signal volume:

1. Open the door.
2. Press the On/Off button 1.
3. Hold down function key A and press Start button 6 until the display 3 indicates **d:0x** (x can be any number). Release both buttons.
4. Press function key A until the display shows **b:02**.
5. Press function key C. Each time the button is pressed the set value increases by one level; when it reaches the value **b:03** the display jumps back to **b:00** (off).
6. Press Start button 6 to save the setting.

## Care and Maintenance

A regular inspection and maintenance of your machine will help to prevent faults. This saves time and prevents future problems.

### Cleaning the dishwasher

- Regularly wipe the front of the appliance with a damp cloth - water and a small amount of liquid soap is adequate.
- For black stainless steel and anti-fingerprint surfaces, use a soft, dry towel. For stubborn dirt, use warm water diluted with a non-abrasive, mild cleansing soap. Never use stainless steel polish.
- For stainless steel appliances (excluding black stainless and anti-fingerprint), use a stainless steel polish to seal and protect the surface.
- Clean the outer edges of the inside door panel regularly to remove debris that may collect from normal loading. If spots begin to appear on the stainless steel, make sure the rinse aid dispenser is full and functioning properly.
- Clean the door seal regularly with a damp cloth to remove food particles that may collect from normal loading and cause odor. A soiled door seal may not seal properly.

### NOTICE

- Never use a steam cleaner to clean your dishwasher. The manufacturer is not liable for any resulting damage.
- Do not use sponges as they could scratch the surfaces.
- Do not use bleach-based wipes as they could damage the surface or printing.

- Never use stainless steel polish on a black stainless finish or anti-fingerprint surfaces.

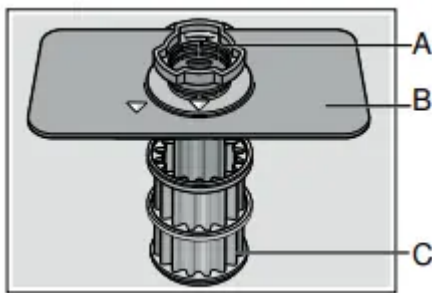
## Filters

The Bosch® filter system 1b is designed to prevent the need to pre-rinse normally attached food soils from your dishes. Simply scrape leftover food soils off of dishware before loading. This process will conserve time, water and the energy require to heat your household water supply.

Your dishwasher filter system is designed to filter 100% of the water entering the spray arms to provide a continuous supply of clean water to remove food soils from your dishware.

### Filter components

The filter system 1b consists of three parts.



#### A Large Object

Trap Prevents objects that should not be placed in your dishwasher from damaging the dishwasher pump system or clogging your household drain.

#### B Flat Fine Filter

Prevents food particles from entering the wash chamber and directs particles toward the micro filter.

#### C Micro Filter

Directs the smallest of particles to the household plumbing drain.

### Cleaning intervals

The filter system 1b is designed to minimize maintenance while providing premium cleaning performance and minimum energy consumption. Depending on use habits and water hardness, the filter system will require some maintenance to sustain premium cleaning performance. Your filter system may need to be cleaned when:

- You notice food soils remaining on the filter system or objects trapped in the Large Object Trap.
- A drop in cleaning performance or a gritty film forms on the dishware.

When washing normally attached food soils that have been scraped before loading, in a household that runs the dishwasher every other day, your filter should be cleaned:

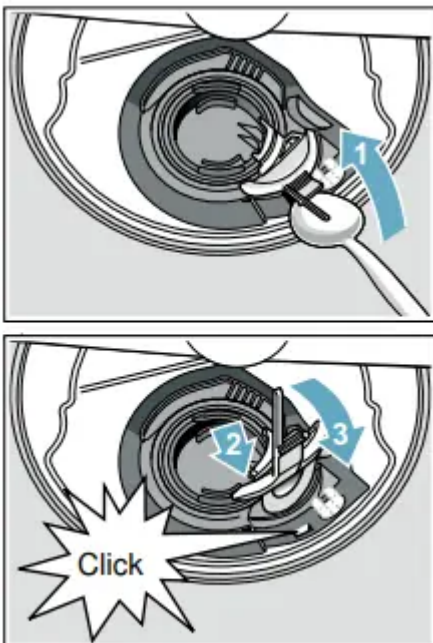
Cleaning interval	Usage
3-6 times a year	light to average use
8-12 times a year	heavy use

**Note:** Clean the filter system after washing loads with large amounts of food soils or loads with a heavy starch content, like potatoes and pasta, to maintain optimal performance.

## Drain pump

Large food remnants in the rinsing water not retained by the filters may block the waste water pump. In this case:

- Disconnect the appliance from the power supply.
- Remove the filters. → "Filters" on page 39
- Scoop out standing water - use a sponge if necessary.
- Using a spoon, pry off the pump cover until it clicks, then grip the cover and pull upward until it resists and then pull forward.



- Check inner compartment and remove any foreign objects.
- Place cover in the original position, press down and engage.
- Reinstall filters.

**Note:** The drain pump will not work properly if the drain pump cover is not snapped in completely until it clicks.

### Preparing your unit for vacation

#### **NOTICE**

Before leaving for vacation during warmer weather, besides turning off the main valve, also turn off water supply at the nearest point to the dishwasher. Do not leave soiled dishware in unit and leave door slightly open. During colder weather, please follow the instructions for winterizing your unit below.

## **Winterizing your unit**

### **NOTICE**

If your dishwasher will be unused for a period of time in a location that experiences freezing temperatures (holiday home or through a vacation period), have your dishwasher winterized by a professional service.

## **Troubleshooting**

Troubleshooting Dishwashers may occasionally exhibit problems that are unrelated to a malfunction of the dishwasher itself. The following information may help you with a dishwasher problem without involving a repair professional.

### **Error code 3:18 is lit.**

- Supply hose kinked.
  - Install supply hose without kinks.
- Water supply turned off.
  - Turn on the water supply.
- Water supply line is clogged.
  - Unclog water line.

### **Error code 3:22 is lit.**

- Water in sump since sump filters 1b are dirty or blocked.
  - Clean filters.

### **Error code 3:24 is lit.**

- Drain line is clogged.
  - Unclog drain line.
- Drain hose is kinked, clogged or blocked.
  - Replace drain hose.
- Drain pump impeller (vanes) is clogged or blocked.
  - Remove drain pump cover, clean around pump impeller and replace cover.

- Drain pump cover was loose.
  - Lock drain pump cover into place in the sump.

**Error code 3:25 is lit.**

- Drain pump is blocked or pump cover is loose.
  - Clean drain pump and lock drain pump cover into place in the sump

**Error code 3:27 is lit.**

- Supply voltage too low (less than 98 volts).
  - Not a dishwasher fault; have the supply voltage and electrical installation checked.

**Dishwasher does not start.**

- Door may be ajar or not be properly latched.
  - Close door securely until door latch clicks.
- No power to the dishwasher (display won't come on). Fuse may have been blown, circuit breaker may have tripped, power cord may have been unplugged or dishwasher may have been turned off.
  - Replace blown fuse or reset tripped circuit breaker. Plug power cord into outlet securely. Press the on/off button 1 to turn the dishwasher on.
- Can't select a wash cycle since the previous wash cycle may not have finished or the dishwasher hasn't been reset.
  - Reset the dishwasher by pressing and holding the START button for at least three seconds.
- Delay start or Child lock may be activated.
  - Reset Delay start or Child lock functions (refer to the appropriate section in this manual). → "Delay Start" on page 35
- The door may have been closed without selecting a wash cycle.
  - Select a wash cycle and close the door.
- Water supply may not be turned on or connected.
  - Check and turn on water supply

**Wash cycle won't resume after door was opened and closed.**

- The door has been open for more than 4 seconds after pressing the Start button.
  - Press Start button again and close the dishwasher door within 4 seconds (see "Protection against unintentional operation" section in this manual)

### **Display does not illuminate.**

- A fuse may have been blown or circuit breaker tripped.
  - Check the fuse or circuit breaker box and replace the fuse or reset the breaker if necessary.
- Door not closed or latched. Note: For models with controls on top of the door, the display only illuminates when the door is opened and controls are visible.
  - Ensure door is properly latched and completely closed.

### **Door does not open automatically at the end of the cycle with the Auto Air option.**

- Too small a gap between the top of the dishwasher and the countertop.
  - Be certain there is at least a 6mm gap; lower the dishwasher if needed. (See installation instructions)
- Door and door seal are dirty. Clean door and door seal with a damp cloth and a small amount of dish soap.
  - The unit is not level. Level the unit from right to left and front to back. See installation instructions.

### **Dishwasher runs a long time.**

- Incoming water is not warm enough.
  - Before starting a cycle, run hot water faucet at the sink closest to the dishwasher.
- Cycle time depends on wash cycle chosen and amount of soil on dishes (dishwasher sensors increase cycle times to ensure dishes are clean when heavy soil is detected).
  - Scrape food off of dishes and use less intensive wash cycles.
- Rinse aid dispenser 31 is empty, or rinse aid setting = 0. Without rinse aid, wash cycle defaults to longest time with most number of washes and rinses.
  - Add rinse aid and change rinse aid setting depending on water hardness.
- Dishwasher is connected to cold water supply.
  - Connect dishwasher to hot water supply.

### **Dishes aren't clean enough**

- Spray arms are blocked or misaligned where they cannot rotate freely.
  - Make sure spray arms 23, 26 can rotate freely
- Little or no water spray due to clogged spray arm nozzle.
  - Clean out spray arm nozzles and filters of all debris and obstructions. →  
"Spray arms" on page 41

- Little or no water spray due to clogged or misaligned filters 28.
  - Clean filters and make sure they're installed correctly. → "Filter components" on page 40
- Dishes are nested or placed too closely together and racks are overfilled.
  - Space dishes apart so spray jets can reach the surface of the dishes and dishes don't contact each other. → "Loading the Dishwasher" on page 17
- Improper or ineffective wash cycle or detergent used.
  - Choose a more intensive wash cycle and use appropriate dishwasher detergents. → "Wash Cycle Information" on page 32
- Detergent is made less effective due to hard water.
  - Install a water softener and choose a more intensive wash cycle.

### **Removable spots or streaks on glasses and silverware.**

- Too much rinse aid causes streaks and too little rinse aid can cause spots.
  - Add rinse aid and check rinse aid setting (recommended setting 4-5). → "Rinse Aid" on page 15
- Mineral deposits from hard water.
  - Install a water softener.
- Water from top (3rd) or upper rack dripped on racks below.
  - Unload lower rack 1st, upper rack 2nd and top (3rd) rack last.

### **Dishes not dry.**

- Rinse aid dispenser 31 is empty or incorrect rinse aid amount is set.
  - Add rinse aid or adjust setting - the use of rinse agent improves drying, use the Auto cycle, use the Sanitize option.
- Extra Dry heat option not chosen.\*
  - Activate Extra Dry heat option.\*
- Water collected in depressions on the dishes and silverware.
  - Arrange dishes in upper rack to slope so water can drain.
- Door was opened or dishes removed before wash cycle was completed.
  - Wait until wash cycle ends before opening door or removing dishes.
- Plastics don't absorb heat like cutlery or china and don't dry as well.
  - Use more intensive wash cycles (with hotter rinse water) or activate Extra Dry heat option.\*

- Silverware not arranged properly in the silverware basket or top rack.
  - Arrange silverware properly and separate them so they don't contact each other.

## Odor

Note: Water testing is done in the factory. Occasionally water may still appear in dishwasher at purchase which may create an odor.

- Food debris in the dishwasher sump and door seal.
  - Clean sump filters, sump and door seal as needed. → "Care and Maintenance" on page 39
- Food debris left on dishes too long.
  - Run dishwasher more frequently.
- Not using rinse aid or using improper detergent.
  - Use rinse aid and the proper detergent.
- Residual standing water in the sump.
  - Make sure previous wash cycle has finished.
- Drain line is clogged or drain hose is kinked, clogged or blocked. Or drain hose was not installed with a high loop.
  - Unclog drain line or replace drain hose. Be sure drain hose is installed with high-loop.
  - **Note:** If odor still persists, run the Normal/ Regular cycle until it flushes and interrupt the cycle and place an 8 oz. cup of distilled white vinegar solution on the upper rack and then finish the cycle

## Dishwasher isn't filling with water (or "Check water supply" display occurs)

- Water supply hose is kinked.
  - Install new supply hose (without kinks).
- Previous wash cycle was not completed or current wash cycle was interrupted.
  - Complete wash cycle or reset dishwasher.
- Delay start or Child lock may be activated.
  - Reset Delay start or Child lock functions (refer to the appropriate sections in this manual).
- Water supply line is clogged.
  - Unclog water line.

- Water supply was turned off.
  - Turn on water supply.

#### **Fascia panel is discolored or scratched.**

- Panel was cleaned with bleach-based wipes or abrasive cleaners/cleaning pads.
  - Use mild detergents with soft damp cloth.

#### **Noise from dishes rattling or water striking tub walls.**

- Dishes weren't loaded properly, allowing dishes to hit each other or spray arms.
  - Load dishes properly into racks. → "Loading the Dishwasher" on page 17
- Light dishes or lightly loaded racks allow dishes to move or water sprays to strike tubs.
  - Load more dishes or distribute dishes more evenly/securely in the dishwasher.

#### **Water leaks from tub or from around door.**

- Suds from using the wrong detergent (i.e. dish) or overfilling/spilling rinse aid.
  - Use an appropriate dishwasher detergent, don't overfill rinse aid and clean any spilled rinse aid. If suds still persist, add one tablespoon of vegetable oil and run the desired cycle.
- Door seal was misaligned or pulled from its track.
  - Make sure the door seal is securely inserted into its track.
- Condensation vent is blocked. Clean out vent and move tall items like trays away from the vent.
  - Improper installation. Have an authorized service professional remount the dishwasher.

#### **White limescale on dishes, tub, racks or door.**

- White residue coats dishwasher interior and racks wheels squeak from lime scale deposits in hard water.
  - Use a dishwasher cleaner every few months.
- If dishwasher has a water softener, increase the setting.
- Hard water kept 3 in 1 detergent or Eco detergent from being effective.
- Use separate dishwasher detergent, rinse aid and dishwasher softener salt (if dishwasher has a softener).
- Under dosing of detergent.
  - Use more detergent or change to a more effective detergent.

- Rinse temperature is too low.
  - Select more intensive wash cycles with higher washing temperatures.

#### **Detergent dispenser cover will not shut**

- Cover guides are blocked by sticky detergent residue.
  - Remove detergent residue. → "Detergent" on page 28

#### **Unable to select desired cycle**

- Previous cycle not finished.
  - → "Operating the Dishwasher" on page 34

#### **Warning**

This content is compiled from multiple sources and is provided for reference purposes only. It may not be complete or fully applicable to all situations. If you are unable to resolve your issue, please contact the product manufacturer or an authorized service provider for official support.