

### Important Safety Notes

Read all safety warnings and all instructions. Failure to follow the warning and instructions may result in electrical shock, fire and/or serious injury. Please keep this manual for further guidance. Save these instructions.

- This vacuum cleaner is not intended for use by children and persons with physical, sensory or mental limitations or a lack of experience or knowledge. This vacuum cleaner is only suitable for vacuuming dry materials. Vacuuming liquids will increase the risk of an electric shock.
- Please read the instructions prior to operating the machine. Failure to read and follow the proper instructions may result in operating errors or injuries.
- Children should only use this machine with proper supervision, this will ensure that children do not play with the vacuum cleaner.
- Cleaning and maintenance shall not be made by children without supervision.
- Keep the appliance and accessories away from hot surfaces.
- Do not block the appliance's openings because this will restrict the air flow. Keep the vacuum opening free of any obstructions, including dust, lint, clothing, fingers/toes, etc.
- Be sure to keep hair away from openings and moving parts.

### WARNING

- The vacuum cleaner is suitable only for vacuuming dry materials. Vacuuming liquids will increase the risk of an electric shock.
- Do not vacuum hot or burning dusts, and in rooms with an explosion hazard. Dusts can ignite or explode.
- The vacuum cleaner should only be used and stored indoors. The penetration of rain or moisture into the vacuum lines will increase the risk of an electric shock.
- Do not vacuum hot or burning dusts, and in rooms with an explosion hazard. Dusts can ignite or explode.
- Remove the battery before cleaning or performing maintenance on the vacuum cleaner, making tool adjustments, changing accessories or storing the vacuum cleaner. This safety measure prevents the vacuum cleaner from being started accidentally.
- Ensure good ventilation while working on the vacuum.
- Have the vacuum cleaner repaired only through qualified specialists and only using original spare parts. This ensures that the safety of your vacuum cleaner is maintained.

- Do not clean the vacuum cleaner with a water jet pointed directly at it. The penetration of water into the vacuum cleaner lid increases the risk of an electric shock.
- Do not open the battery pack. Danger of short-circuiting.
- Protect the battery against heat, e. g., against continuous intense sunlight, fire, water, and moisture. Danger of explosion.
- When battery pack is not in use, keep it away from other metal objects like paper clips, coins, keys, nails, screws, or other small metal objects that can make a connection from one terminal to another. Shorting the battery terminals together may cause burns or a fire.
- Under abusive conditions, liquid may be ejected from the battery; always avoid contact. If contact accidentally occurs, flush with water. If liquid contacts eyes, seek medical attention immediately.
- Recharge only with the charger specified by the manufacturer. Using after market batteries or charger may create the risk of fire. Use the battery only together with your APOSEN product. This is the only way to protect the battery against dangerous overload.
- The battery can be damaged by pointed objects such as nails or screw drivers or by force applied externally. An internal short circuit can occur and the battery can burn, smoke, explode or overheat.

## **Intended Use**

- The vacuum cleaner is intended for vacuuming and extracting materials that are not hazardous to one's health.
- The vacuum cleaner is intended for commercial/indoor use, for example in department, house, hotels, schools, factories, shops, offices and rental businesses recommended by manufacturer.

## **Technical Data**

Model: H120

Power: 120W

Charging time: 4.5H

Separation technique: Cyclone technical

Container volume (gross): 1.2L

Battery charger output: 26.5V/500mA

Battery: 22.2V/2200mAh

Mode:

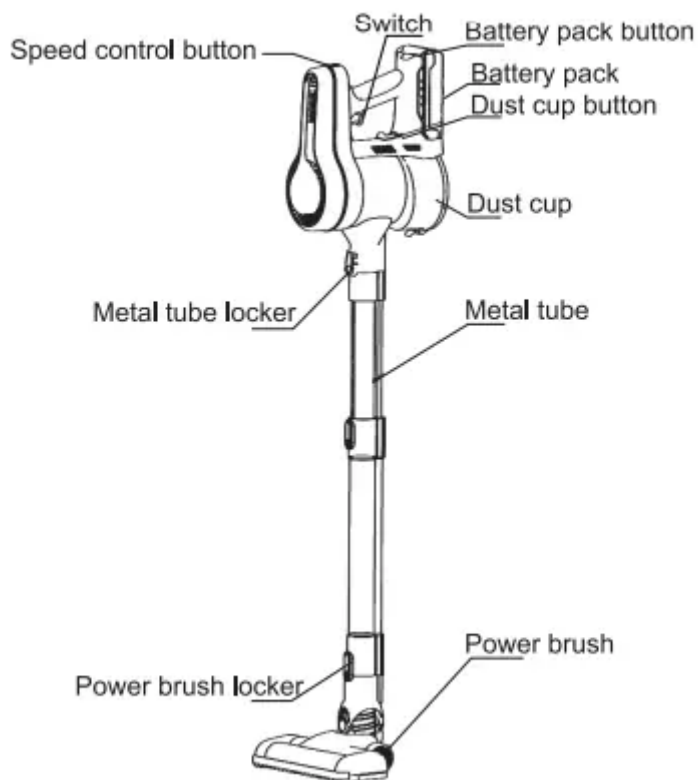
Standard: 6KPa/35min

High: 10KPa/18min

Remark: The primary function of cyclone isolates the dust to the bottom of cyclone, instead of on the combed grid, Adopting the cyclone technology, the vacuum cleaner can suction the granular dust precipitated on the bottom of the container, reduce the probability of the metal mesh blocked by cotton wool , greatly reduce the cleaning frequency of the filter, effectively extend the life-time, and make your experience better & more comfortable!

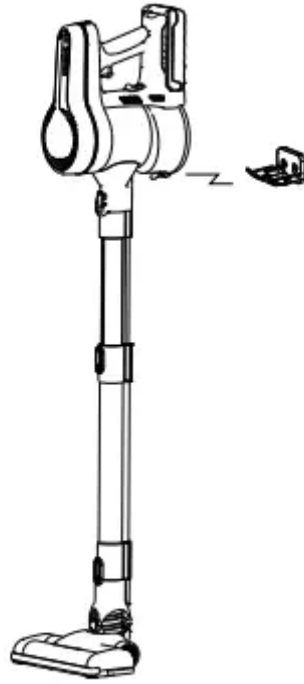
## Introduction of Components

Main body:



Wall mounted:

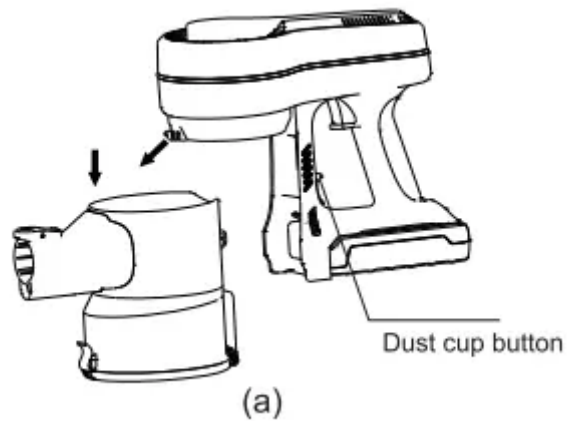




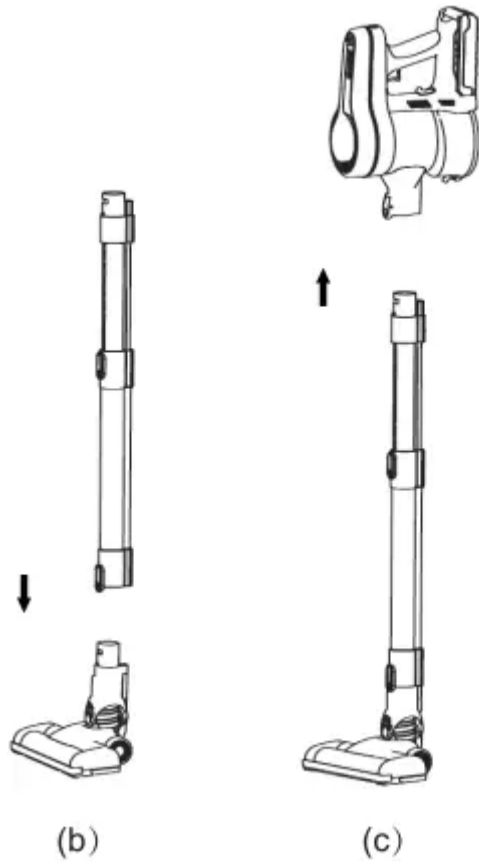
04

## Assembly

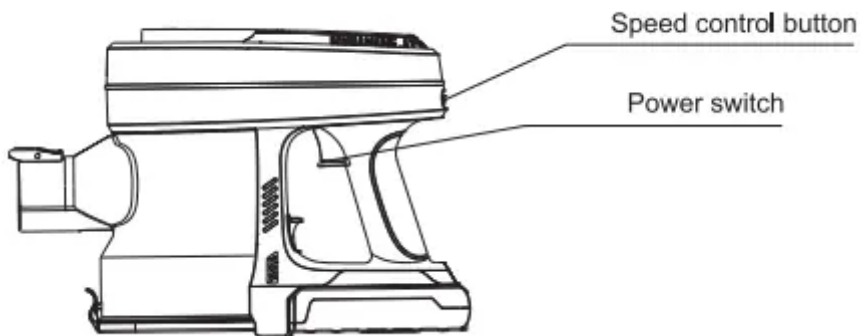
- Before vacuuming, ensure that the filter assembly is assembled securely. Attach the battery to the dust cup as (a).



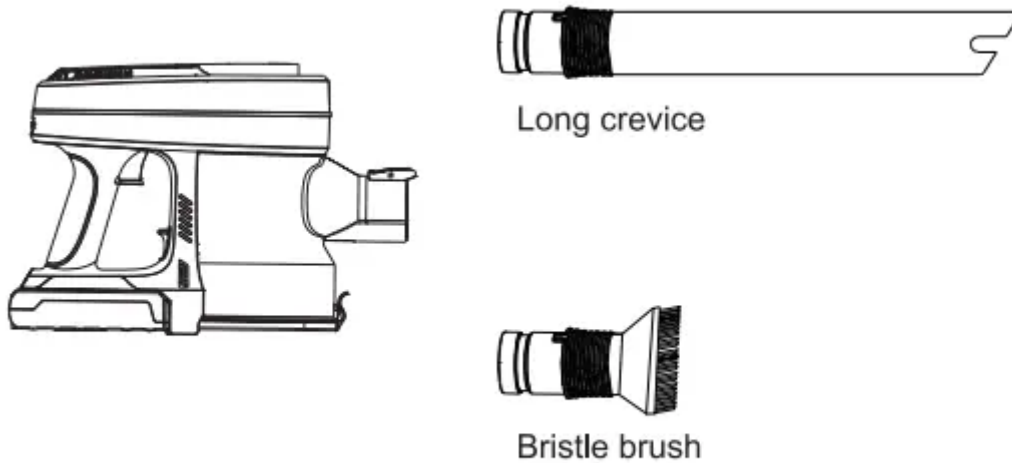
- Attach the metal tube to the body until you hear a click (b).
- Attach the dust cup and battery to the top of the tube until you hear a click (c).
- Attach a brush head.



- Adjusting the vacuuming power. Press the power switch to begin operation. The “Standard” vacuuming power stage is set by default.



- Hand Vacuum Assembly: Insert your selected accessory (bristle brush or long crevice) into the vacuum body as shown below:

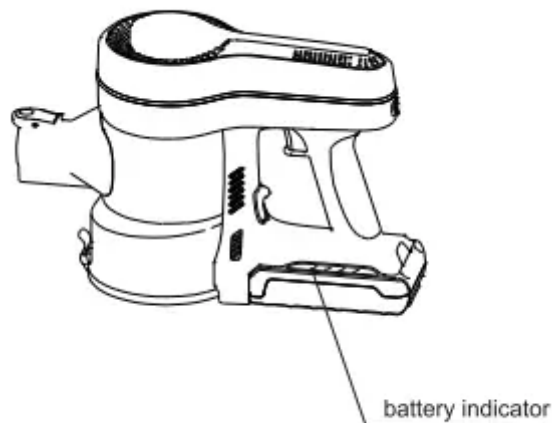


## Starting Operation

Before vacuuming, ensure that the filter assembly is assembled securely.

Only use an undamaged filter (no cracks, small holes, etc.). Replace a damaged filter immediately.

## Charging the Battery



Charging time: 4-5 hrs

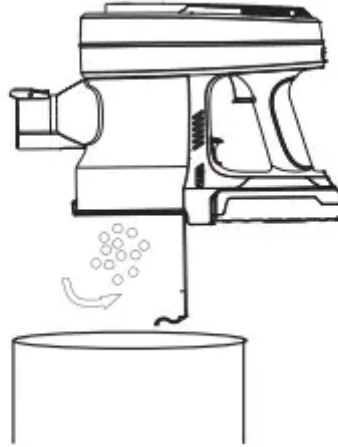
- Low power: battery indicator blinks in blue when in use , please turn off the appliance, and then charge it.
- Charging :3 blue lights are illuminated one by one.
- Fully charged: 3 blue lights remain on.

During operation, indicator lights will show the following:

- Blue - On / low speed

- Pink - High speed
- Red - Brush head is jammed

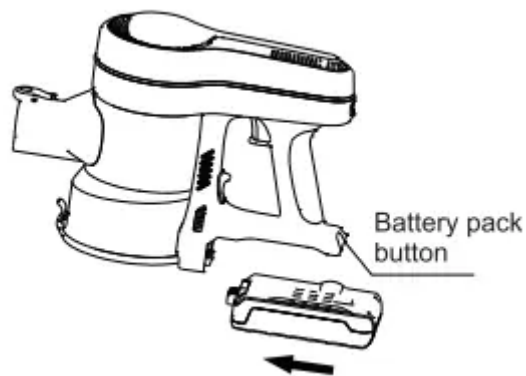
## Cleaning the Dust Cup



NOTE: Do not reassemble until filter is completely dry. Even though Hepa filters can be washed, it required to replace with new one about 3 months, otherwise suction will decrease and affect performance

## Maintaining the Filter

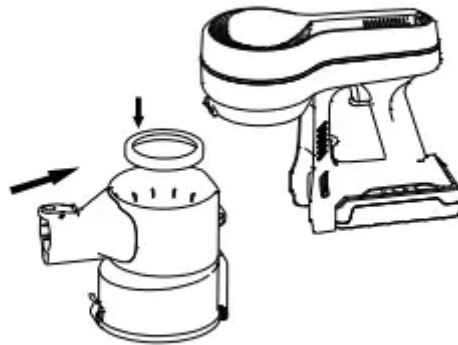
1. Press the battery pack button to remove the battery.



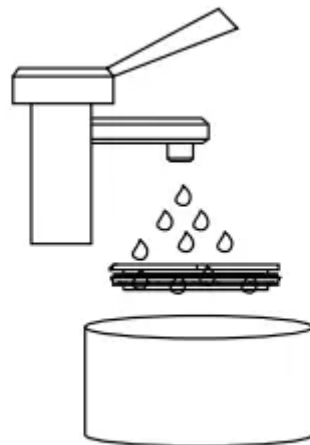
2. Open the dust cup as shown below.



3. Remove the filter case, and then remove the filter.



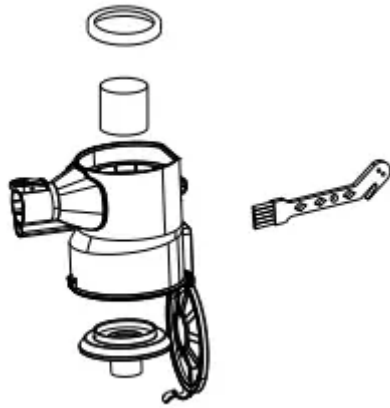
4. Wash the filter case.



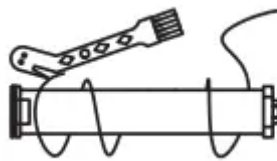
5. Using the Cleaning Brush

A. Use the brush side to clean the metal mesh and inner filter:

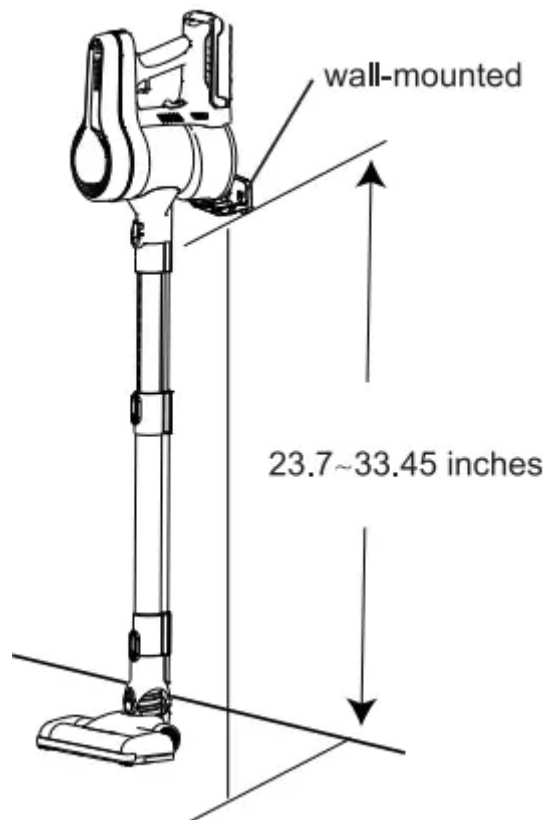




B. Use the knife side to remove tangled hairs or debris from the brush roller.



6. Installing wall-mounted wall-mounted



Adhesive 3M, recom mending to suspend the vacuum cleaner after 24 hours.

- Do close floor brush to the ground when the machine is suspended.

- Do use expansion screw to attach machine on the wall or attachment surface when dangling.

## Troubleshooting

### Weak suction

1. Empty the dust cup.
2. Clean the HEPA filter.
3. Check if the dust cup is installed correctly.

### Roller brush stops spinning or emits unusual noise

1. Check if the brush (especially the bearing) is tangled with hair.
2. Check if the filter cup is installed correctly.
3. Detach the tube, and use the handheld part only. If this does not work, contact the seller for help.

### Battery doesn't hold a charge

1. Check if the vacuum cleaner is fully charged with 3 lights on.
2. Check if the charger & charging base are connected correctly.
3. If there is no light on when charging, contact the seller for help

## 7\*24hr Stand By Representative

### Quick Q&A

- Q : Product damaged in transit? Received defective product? Accessory missed? Any inquiry of operating the machine? Any suggestion for this product?
- A: Please email us perfect solution will be offered in 24hrs.

#### **Warning**

This content is compiled from multiple sources and is provided for reference purposes only. It may not be complete or fully applicable to all situations. If you are unable to resolve your issue, please contact the product manufacturer or an authorized service provider for official support.