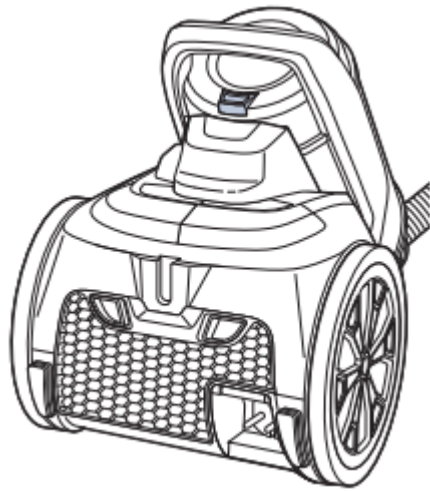
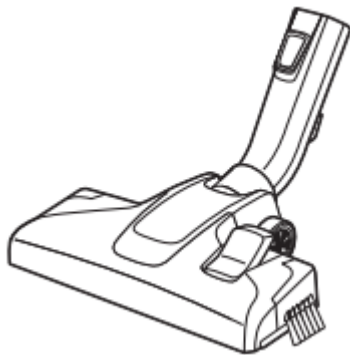


User Manual Vacuum

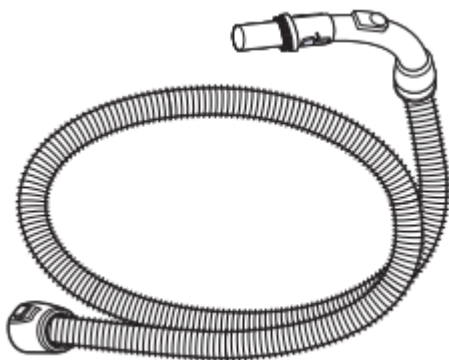
What's in the Box?



Base Unit



Foot



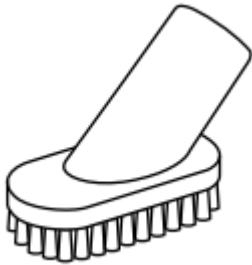
Hose and Handle



Extension Wand

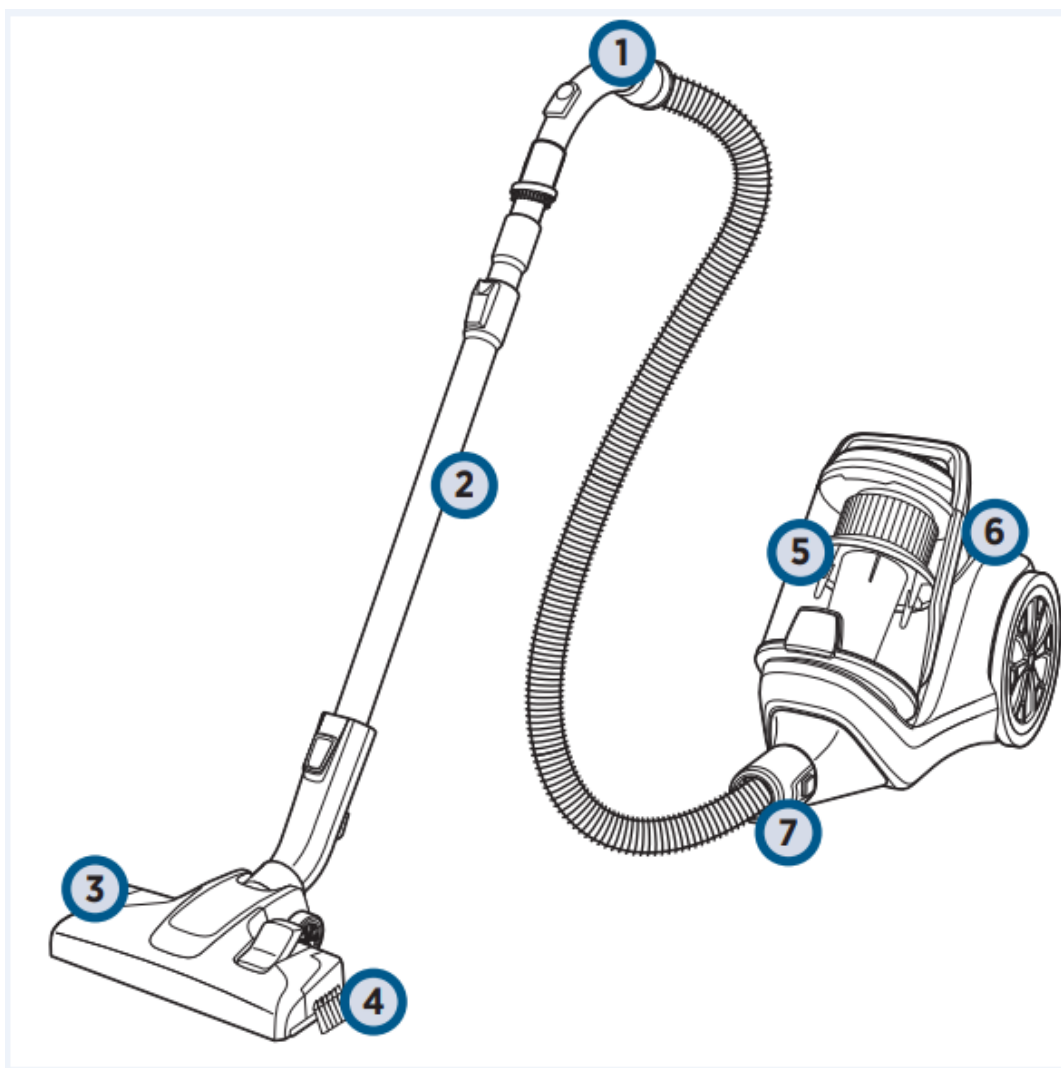


Crevice Tool



Dusting Brush

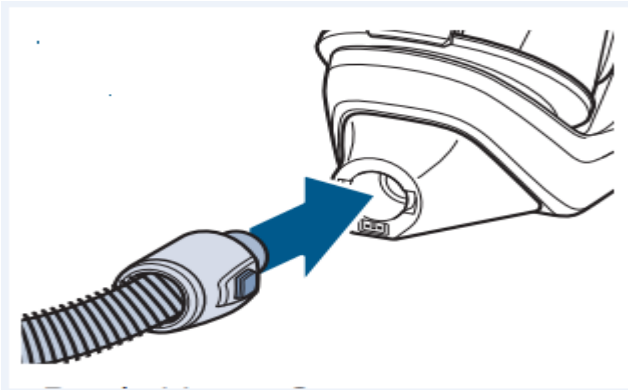
Product View



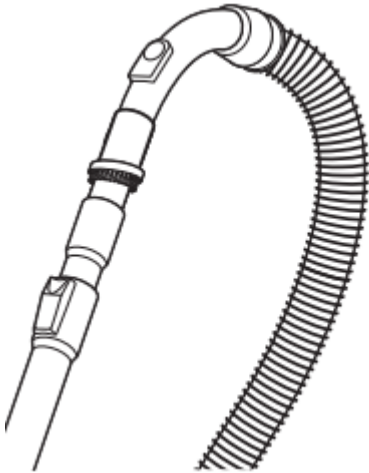
1. Handle with integrated Dusting Brush
2. Extension Wand
3. Multi-Surface Floor Nozzle
4. Edge-Cleaning Bristles
5. Dirt Tank
6. Base Unit
7. Hose Connector

Assembly

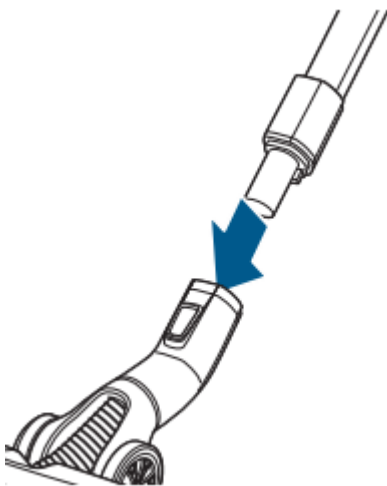
1. Push Hose Connector into Base Unit and secure with a click.



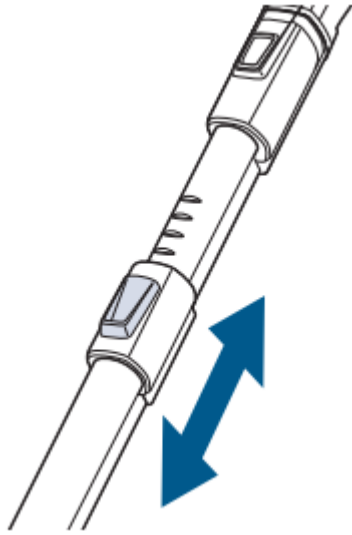
2. Push Handle end into top of Extension Wand and secure with a click.



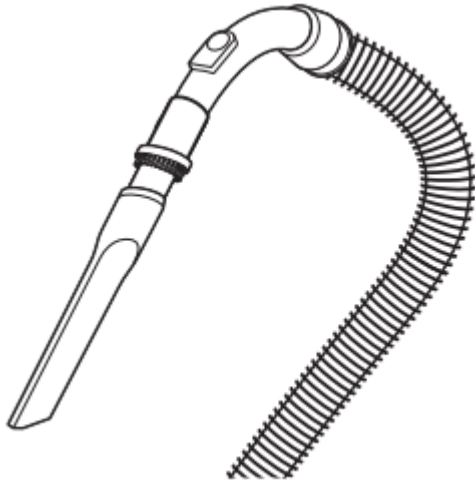
3. Push bottom of Extension Wand into Foot and secure with a click.



4. Press button on Extension Wand to adjust height.

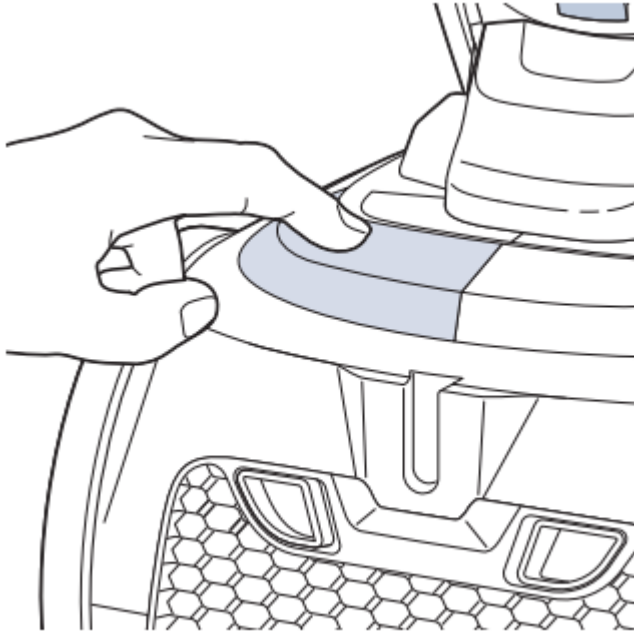


5. Connect desired tool to handle.

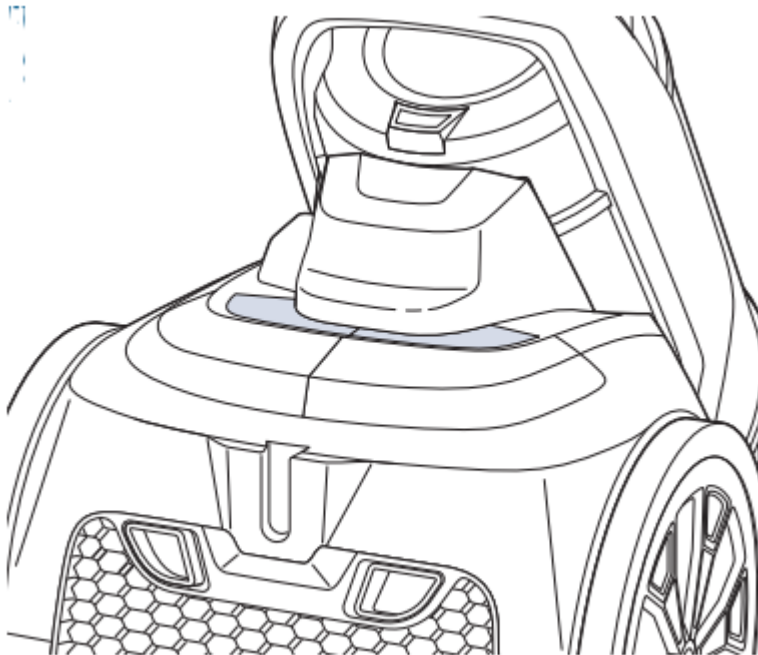


Using Your SmartClean® Vacuum

1. Press the button on the back left side of the unit to power the unit ON and OFF.



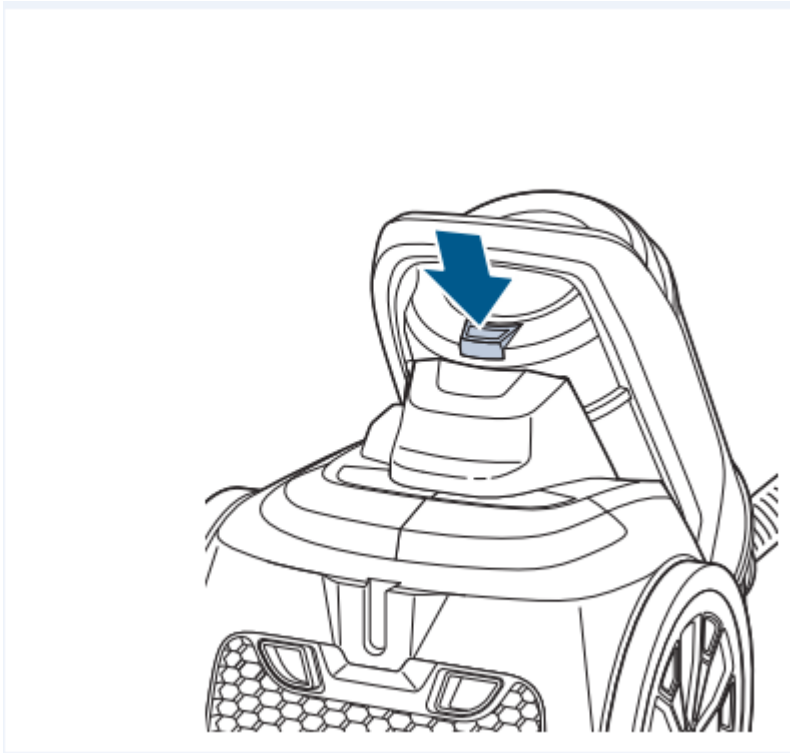
2. Adjust suction power by pressing the buttons with the plus (+) or minus (-) symbol on them depending on the level of power you want.



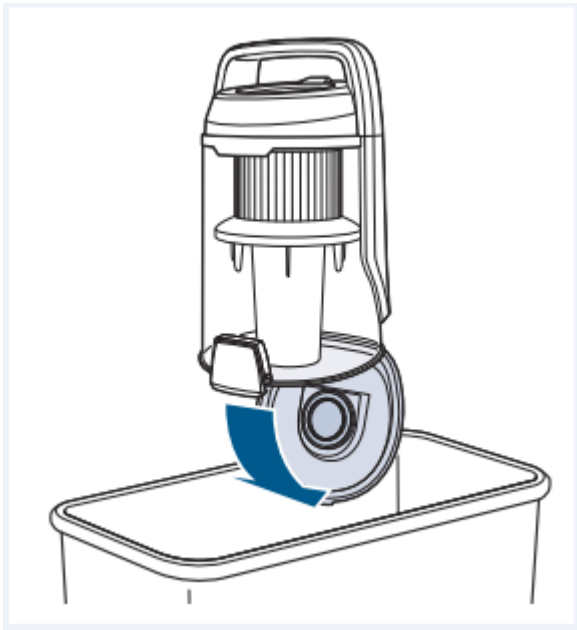
Maintenance & Care

Emptying the Dirt Tank

1. Press Dirt Tank Release Button to remove the tank from the machine.

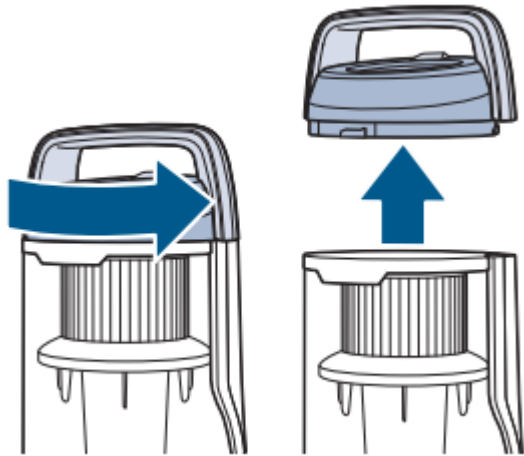


2. Hold tank over trash bin and press the button on the bottom of the tank to release the tank door.

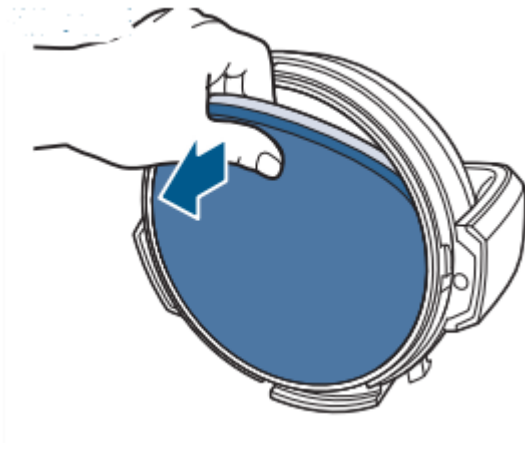


Cleaning the Filters

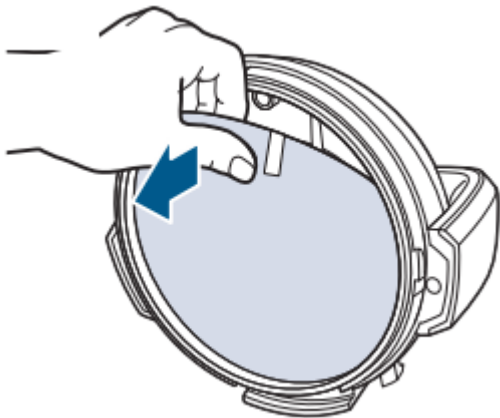
1. With Dirt Tank removed twist the top counter-clockwise and pull up to remove.



2. Remove foam filter from the tank lid.



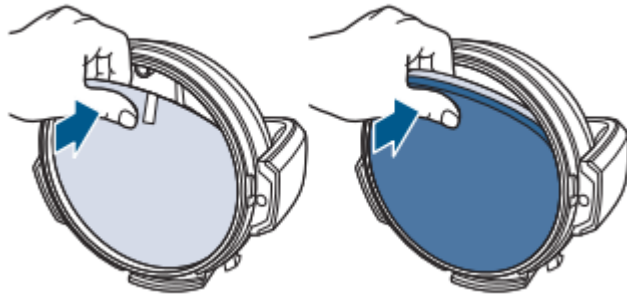
3. Remove felt filter from the tank lid.



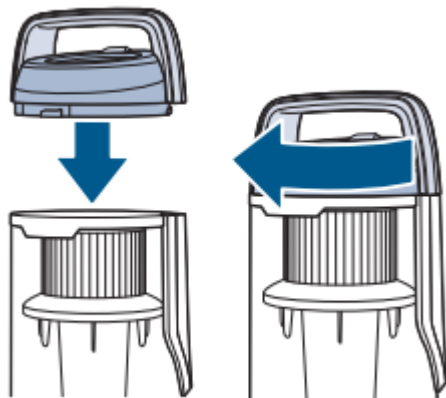
4. Both filters can be rinsed to clean. Leave to dry for 24 hours before replacing



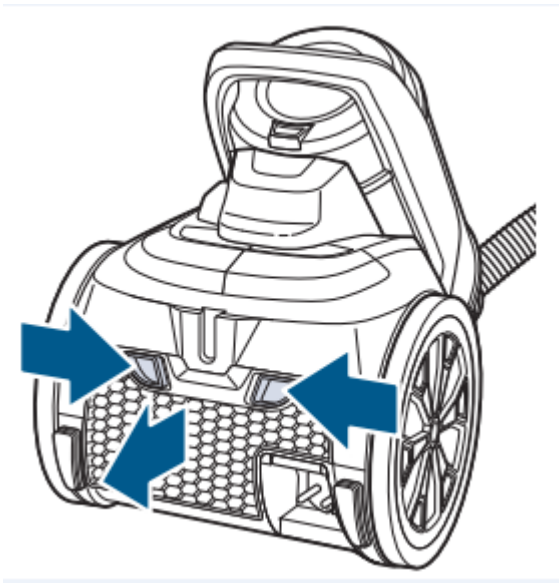
5. Replace both filters making sure the flat felt filter is inserted first.



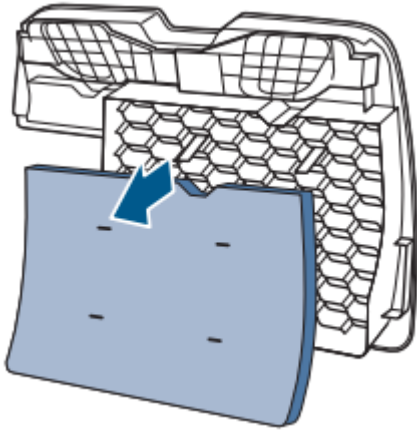
6. Replace lid and turn it clockwise to lock in place.



7. Push tabs inward and pull out to remove back cover



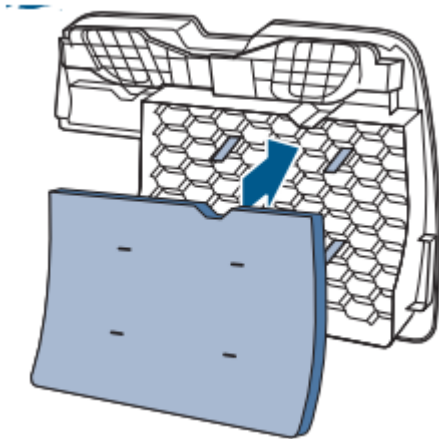
8. Remove mesh filter from back cover.



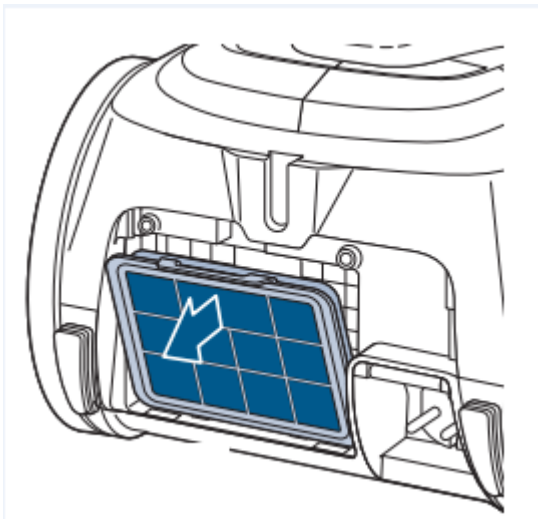
9. Mesh filter can be rinsed to clean. Let dry for 24 hours before replacing.



10. Replace mesh filter in back cover. Make sure all 4 tabs are aligned with their slots in the filter.



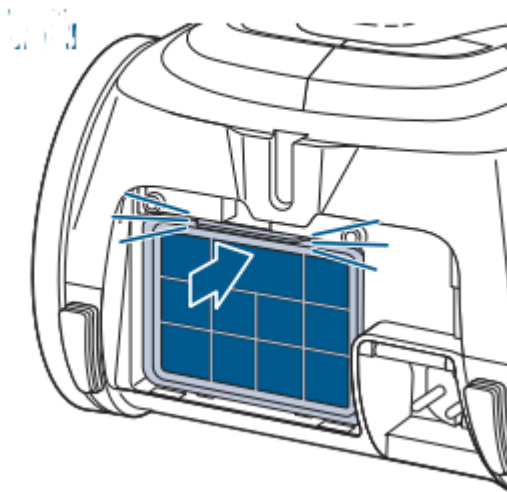
11. Remove pleated filter from back of machine.



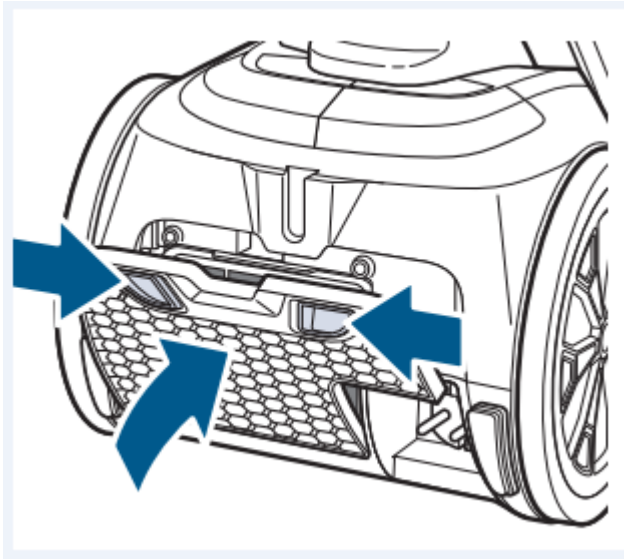
12. Pleated filter can be rinsed to clean. Let dry for 24 hours before replacing.



13. Replace pleated filter.

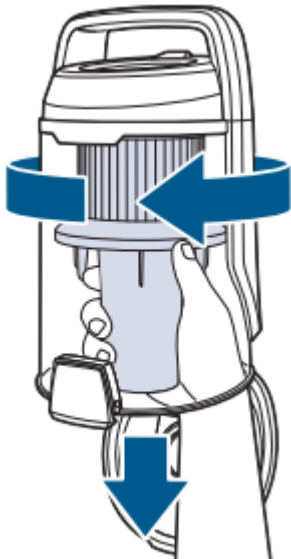


14. Reattach filter cover until it clicks into place.



Cleaning the Cyclonic System

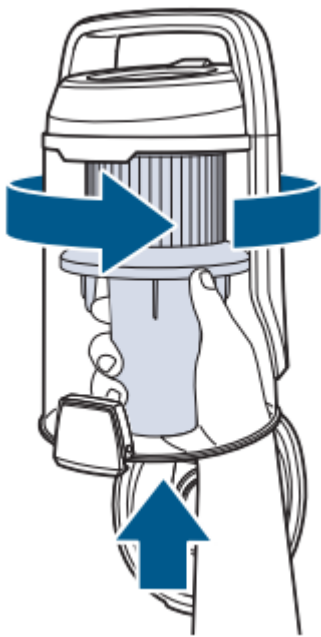
1. Turn cyclonic system counter-clockwise to release and remove from the tank.



2. Cyclonic system can be rinsed to clean. Let dry for 24 hours before replacing.

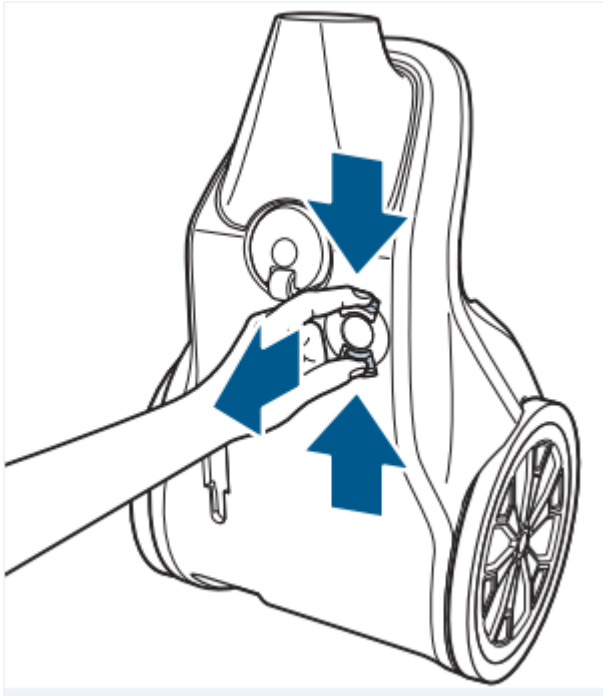


3. Replace cyclonic system and turn clockwise to lock in place.

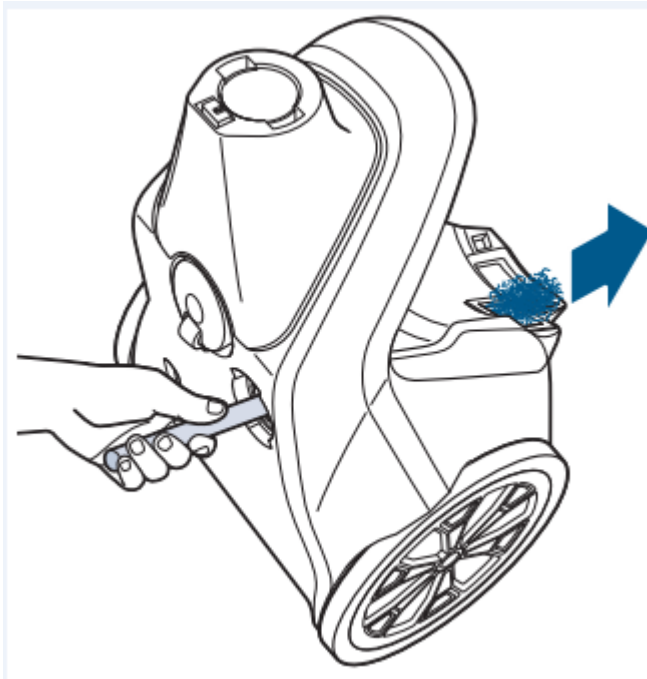


Clearing a Clog

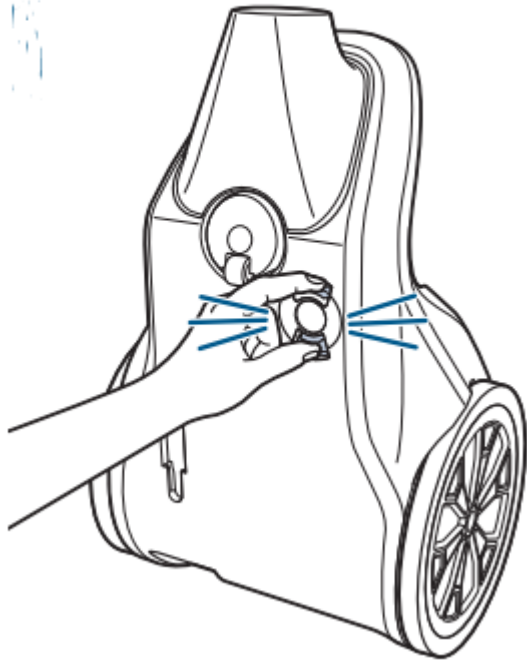
1. If there is a lack of suction, turn OFF the machine and lift up to access the plug on the bottom of the base. Press tabs inward to remove the plug.



2. Use the handle of a broomstick or a similar-shaped object to unclog and clear debris.

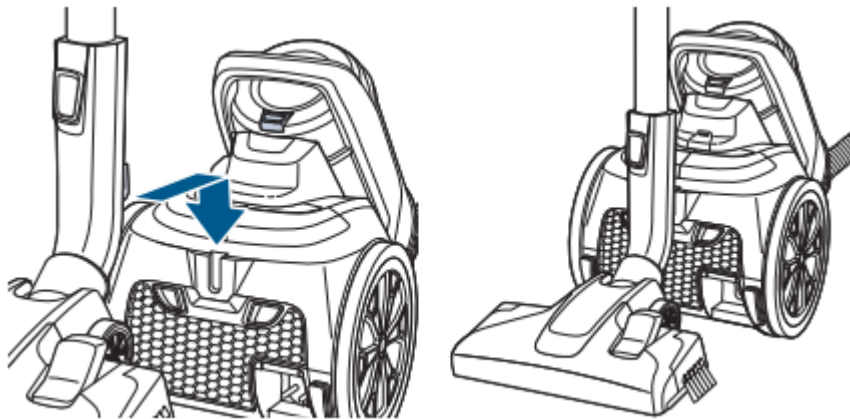


3. Insert plug until it clicks into place.

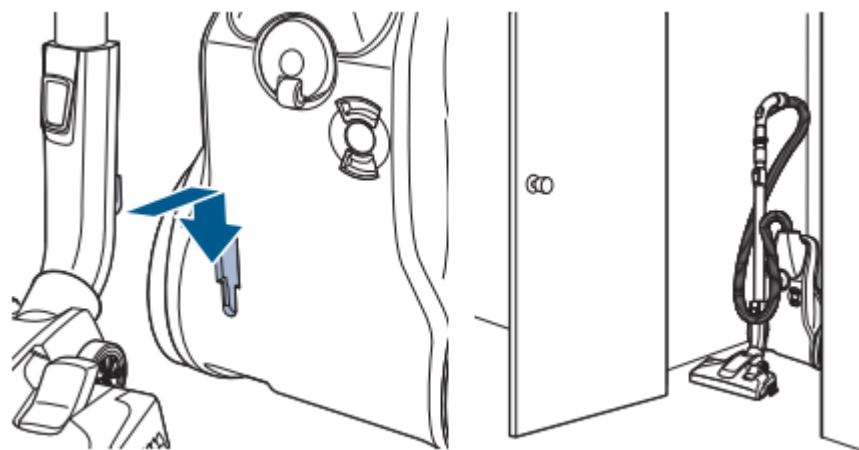


Storing the Vacuum

1. Connect T-shaped hook on the Foot to the T-shaped slot on the base for in-use storage positioning.



2. Connect T-shaped hook on the Foot to the T-shaped slot on the bottom of the base for long term storage positioning.



Troubleshooting

Problem	Possible causes	Remedies
Vacuum won't pick up dirt	Filters are dirty.	Remove and wash the filters. Let them dry for 24 hours before reinstalling. Refer to pages 6-7.
	Multi- Cyclonic system is dirty.	Remove the separator from the Dirt Tank and rinse to clean. Let it dry for 24 hours before reinstalling. Refer to page 6.
	There is a clog in the vacuum.	Turn off and unplug machine. Refer to page 9.
	Dirt Tank is not seated correctly	Press the Tank Release Button to release the Dirt Tank and align the tank properly.
	Hose is not connected.	Push the hose connector in the port on the canister until it "clicks" in place.
	There is a crack or hole in the hose.	If there is a crack or hole, order a new hose from BISSELL.com
Dirt is escaping from the vacuum	Dirt Tank is full.	Empty the tank.
	Filters are missing or dirty.	Check to see if filters in the tank and filters under the filter door at the back of the canister are installed and clean.
Vacuum is hard to push or pull	Suction is set too high.	Use the Variable Suction Controls on the canister.
High-pitched noise or whistling	There is a clog in the vacuum.	Power OFF and unplug. Disconnect hose from the canister to check for clogs or debris. Refer to page 9.
	There is a clog in the pleated filter.	Power OFF and unplug. Remove pleated filter from the back of the vacuum and rinse to clean, see page 7. Let it dry for 24 hours before reinstalling.

Warning

This content is compiled from multiple sources and is provided for reference purposes only. It may not be complete or fully applicable to all situations. If you are unable to resolve your issue, please contact the product manufacturer or an authorized service provider for official support.

Document generated by [ManualsFile](#)