

## Integrated Dishwasher User Manual

# GETTING STARTED

### 1. Load Dishwasher

For best dishwashing results, follow the loading guidelines found in the Loading section. No pre-rinsing of normal food soil is required. Scrape off hard soils, including bones, toothpicks, skins, and seeds. Remove leafy vegetables, meat trimmings, and excessive amounts of grease or oil.

### 2. Add Detergent

Add needed amount of detergent to the detergent dispenser. Use high quality detergents such as Cascade® Platinum™ ActionPacs™ or Finish® Quantum® Automatic Dishwashing Detergent. See Dispensers section.

### 3. Add Rinse Agent

Add high quality rinse agents such as Cascade® Platinum™ Power Dry™ Rinse Aid or Finish® Jet-Dry® Rinse Aid to the rinse agent dispenser. See Dispensers section. **NOTE:** The use of rinse aid can further enhance the dishwasher's drying performance.

### 4. Select Cycle

Press the Select Cycle button for the desired wash cycle. On some models, the light next to the Select Cycle button will be lit to indicate which wash cycle has been selected. On other models, pressing the Select Cycle button will show various cycles in the display window. Press the button until the desired cycle is shown.

**NOTE:** Actual cycle times vary based on soil level, water temperature, and options selected.

The cycle may be selected with the door in the open position. The cycle will not start until after the door is closed and Start selected within 10 seconds.

<b>AutoSense</b>	This cycle automatically senses the soil level and adjusts the wash cycle accordingly.  Time range: 1 hour 50 minutes - 2 hours 5 minutes.
<b>Heavy</b>	This cycle is meant for heavily soiled dishes, cookware, pots, or pans with dried-on or baked-on soils. Everyday dishes are safe to be used in this cycle. *Time: 2 hours 31 minutes.
<b>Light</b>	This cycle is for light to medium soiled dishes. It is safe for china and crystal. *Time: 50 minutes"
<b>Normal</b>	This cycle is meant for daily, regular, or typical use to completely wash a full load of normally soiled dishes and is designed to conserve both water and energy. *Time range: 1 hour 15 minutes - 1 hour 50 minutes. NOTE: Normal was used to rate the energy efficiency of this dishwasher.
<b>Express</b> (on some models)	This cycle will quickly wash lightly soiled dishes. *Time: 32 minutes. For faster drying, select Power Dry. The final rinse (on some models) temperature will be increased. Power Dry will add 15 minutes to the cycle time. When the Clean light comes on, open the door, pull the racks out, and the dishes will "flash" dry in approximately five minutes
<b>Rinse</b> (on some models)	For rinsing partial loads that will be washed later. Do not use detergent. Detergent is not dispensed during the rinse cycle. *Time: 16 minutes

\*Washing time only. Does not include drying time, Auto Hot Start, or options. NOTE: If the incoming water temperature is too low, the Auto Hot Start feature may add up to 11 minutes of additional time.

## 5. Select Options

The light by the selected pad will be lit to indicate which Option has been selected.

<b>Wash Temp Boost or Boost Temp</b>	<p>This option increases the temperature to help clean heavily soiled dishes and may increase the overall cycle time. Option may be turned <b>On</b> or <b>Off</b> during the wash cycle. This option may also improve dry performance on the <b>Normal</b> cycle.</p>
<b>Wash Temp Sanitize or Sanitize Temp</b>	<p>This option raises the water temperature in the final rinse to sanitize your dishware. The length will vary depending on the temperature of your inlet water.</p> <p><b>NOTE:</b> This option is monitored for sanitization requirements. If the cycle is interrupted or after the main wash portion or if the incoming water temperature is so low that water heating cannot be achieved, the sanitizing conditions may not be met. In these cases, the Sanitized or Cycle Sanitized light will not illuminate at the end of the cycle. Using this option will modify the cycle to meet the requirements of Section 6, NSF 184 for sanitization and sanitization efficacy.</p> <p><b>NOTE:</b> NSF certified residential dishwashers are not intended for licensed food establishments.</p>
<b>Heated or Dry Off</b>	<p>Shuts off the drying option. Dishes air dry naturally and energy is saved. Open the dishwasher door to <b>Power</b> speed drying.</p>
<b>Heated or</b>	<p>Turns on the option for faster drying. This option may add up to 65 minutes to the cycle time.</p>
<b>Power Dry On</b>	<p>On models with the hidden heater feature, this option boosts the temperature of the dishwasher during the final rinse portion of the cycle then utilizes a fan to circulate air over the dishes. This option is not available with the <b>Rinse</b> cycle.</p>
<b>Steam (Prewash)</b> (on some models)	<p>For use with heavily soiled and/or dried-on, baked-on soils. This option <b>MUST</b> be selected <b>PRIOR</b> to starting the cycle. The <b>Steam</b> option adds up to 30 minutes to the cycle time. This option is available with <b>Heavy, AutoSense, and Normal</b> cycles.</p>
<b>Pre Soak</b> (on some models)	<p>Use this option to improve wash performance with heavy or dried-on soils. This option is available on <b>Heavy, AutoSense, and Normal</b> cycles and may add up to 30 minutes to the cycle time.</p>
<b>Wash Zones</b> (on some models)	<p>Selecting either the Upper or Lower <b>Wash Zones</b> will target dishwashing of just one rack. This will shorten the cycle time and conserve energy. This option should be used when dishes are placed in only one rack.</p>
<b>Bottle Wash</b>	



(on some models)	<p>This option increases the time that the bottle jets are on and may add up to 23 minutes to the cycle time. Use this to wash difficult to clean, dishwasher safe baby bottles, sport bottles, cups, etc. See use recommendations in the <b>Loading the dishwasher</b> section.</p>
<b>Delay Hours</b>	<p>Delays the start of a wash cycle up to 8 to 12 hours depending on model. Press <b>Delay</b> to select the number of hours, then press <b>Start</b> one time and close door to begin counting. The cycle will start once allotted time has expired.</p>
<b>Control Lock</b>	<p>You can lock the controls to prevent selections from being made. You can also lock the controls after you have started a cycle to prevent cycle changes. For example, children can accidentally start the dishwasher by pressing buttons with this option selected.</p> <p><b>To LOCK the dishwasher control</b>, depending on the model, press and hold the 1 or 2 buttons indicated on the controls for 3 seconds. On some models, it will be the <b>Heat Dry</b> or another the <b>Steam</b> and <b>Wash Temp</b> buttons, and another model is the <b>Pre-Soak</b> and <b>Wash</b> buttons. The Control Lock light will turn on to indicate the control is locked.</p> <p><b>To UNLOCK the dishwasher control</b>, depending on the model, press and hold the 1 or 2 buttons indicated on the controls for 3 seconds. The Control Lock light will turn off to indicate the control is unlocked.</p>
<b>Energy Smart</b>	<p>When connected to a smart meter and your electric company, the dishwasher will automatically delay starting a cycle during the more expensive peak demand times, and start when demand is low. However, you can override the delay settings and use the dishwasher when needed. Learn more about <b>Energy Smart</b> under the <b>Using the Dishwasher</b> section.</p>

## 6. Start Dishwasher

<b>Start</b>	Open door to select the desired options. Press the Start button and close the door within 10 seconds to start the cycle or begin the Delay Hours countdown. The wash cycle will begin shortly after closing the door. The display will turn off if the door remains open for two minutes. To activate the display, close and open the door or press any button.
<b>Interrupt or Pause</b>	To interrupt or pause a dish cycle, slowly open the door. Opening the door will cause the wash cycle to pause. The dishwasher will beep every minute to remind you to close the door. To restart or resume the cycle, press Start, and close the door within 10 seconds.
<b>Cancel</b>	To cancel a wash cycle, press and hold the Start button for 3 seconds and close door. The dishwasher will drain, emit a beep sound, and the wash cycle light will turn OFF.
<b>7. Cycle Indicator Lights and Sounds</b>	
<b>Sanitized or Cycle Sanitized</b>	Displayed at end of the cycle when <b>Wash Temp Sani</b> or <b>Sanitize Temp</b> has been selected and the dishwasher has met requirements for sanitization. See <b>Wash Temp Sani or Sanitize Temp</b> for complete description. Closing door or pressing any button will turn off light.
<b>Clean or Cycle Complete</b>	Displayed when a wash cycle is complete. The light stays <b>ON</b> as a reminder that the dishes are clean.
<b>Low Rinse Aid</b> (on some models)	Displayed when rinse agent is low or empty. See Use a Rinse Agent. To turn indicator off, press <b>Pre-Soak</b> or <b>Steam</b> button 7 times within 5 seconds. Repeat this process to turn the Low Rinse Aid indicator back on.
<b>Cycle Status</b>	The indicator light on the door front will change color to indicate the wash status. During the wash cycle, the (on some models) indicator light will be amber. When the wash cycle is complete, the light will change to green.
<b>Sounds</b>	The dishwasher will emit a sound to indicate cycle completion, button presses, and door ajar. To mute all sounds, press the <b>Heated Dry</b> or <b>Power Dry</b> button 7 times within 5 seconds. Repeat this process to turn sounds back on.
<b>Door Wake Up Mode</b> (on some models)	To turn this option <b>ON/OFF</b> , press and hold the <b>START</b> and <b>WASH TEMP</b> pads for 5 seconds, close the door and wait 3 minutes for the dishwasher to go into sleep mode. In the <b>OFF</b> mode, the control display, control sounds, and interior lights (on some models) will not respond to door opening/closing. This mode can be used when observing certain religious holidays such as the Sabbath. To activate the control and interior lights (on some models), press any pad.

# USING THE DISHWASHER

## Check the Water Temperature

---

The entering water should be at least 120°F (49°C) and not more than 150°F (66°C) for effective cleaning and to prevent dish damage. Check the water temperature with a candy or meat thermometer.

Turn on the hot water faucet nearest the dishwasher, place the thermometer in a glass and let the water run continuously into the glass until the temperature stops rising.

## Energy Smart

---

Energy Smart enables your dishwasher to reduce energy consumption during periods of high energy costs. If you are in an area where your electricity provider charges variable rates at different times of the day, your dishwasher will inform you of those times when you are paying the highest rate. You can then either delay starting your dishwasher until the rate goes down; or you can override the feature and run your dishwasher at your convenience.

What you will need:

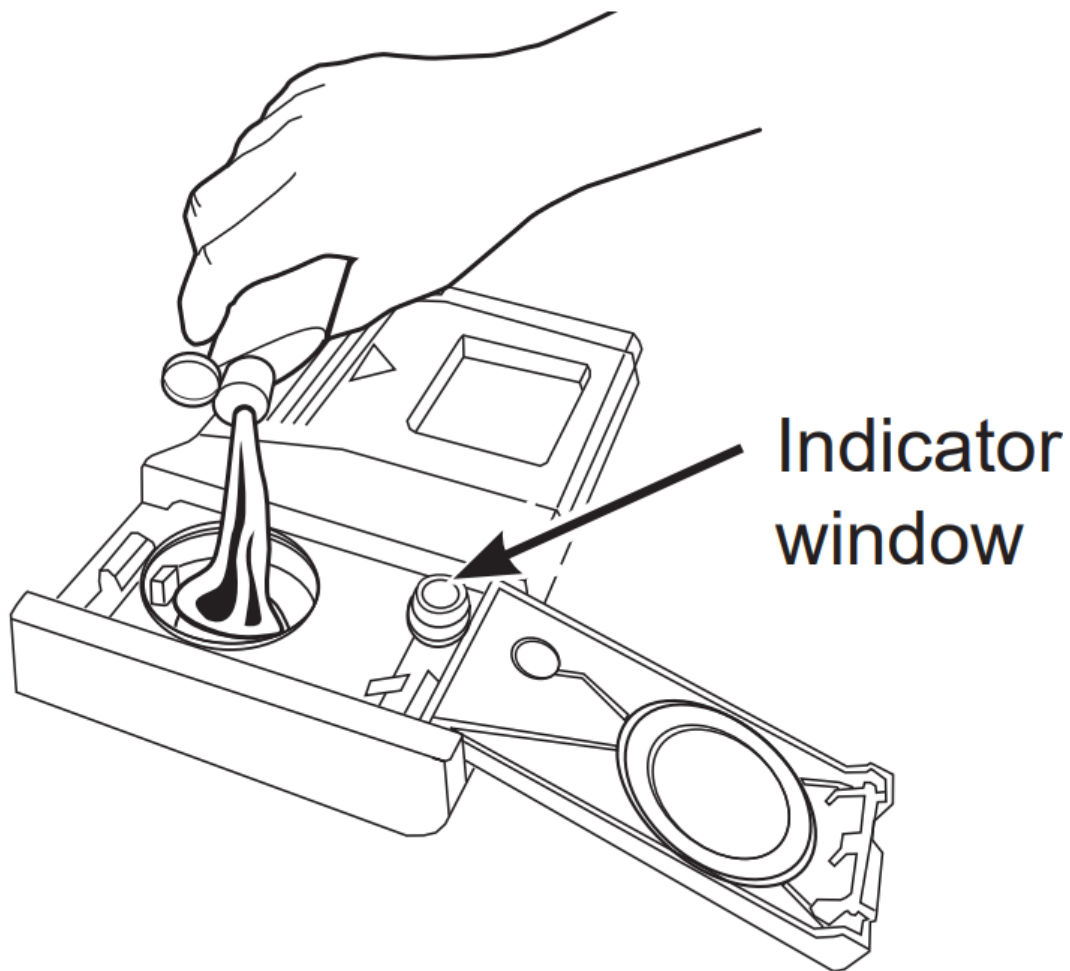
1. Smart Meter that will communicate with your dishwasher. Consult your local electricity provider to determine if the technology is available in your area.
2. An Energy Smart dishwasher model (CDT725-765, DDT575, GDF570, GDT580-740, PDT750-760).
3. An Appliance Communication Module (ACM). Please visit, [gebrillion.com](http://gebrillion.com) to order the communication device that will need to be installed in the dishwasher

## Use a Rinse Agent

---

High quality rinse agents such as Cascade® Platinum™ Power Dry™ Rinse Aid or Finish® Jet-Dry® Rinse Aid are designed for great drying action and to protect against spots and film build-up on your dishes, glasses, flatware, cookware, and plastic.

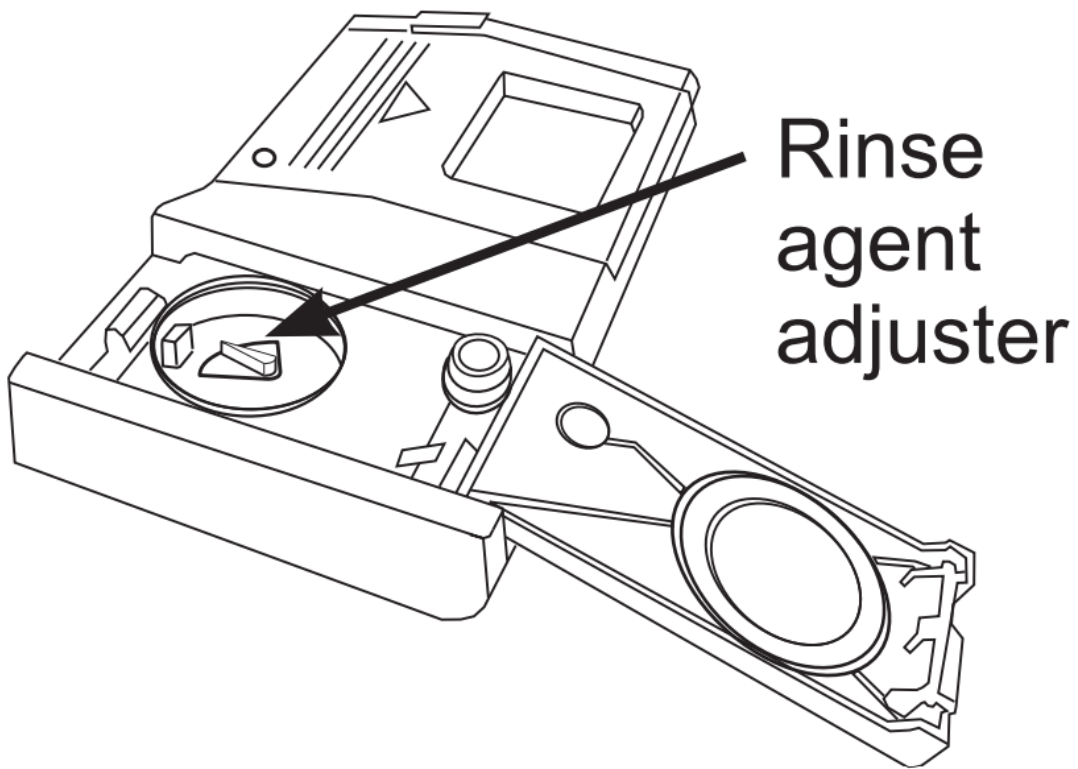
## Filling the Rinse Agent Dispenser



The rinse agent dispenser holds 3.5 oz. (104 ml) of rinse agent. Under normal conditions, this will last approximately one month.

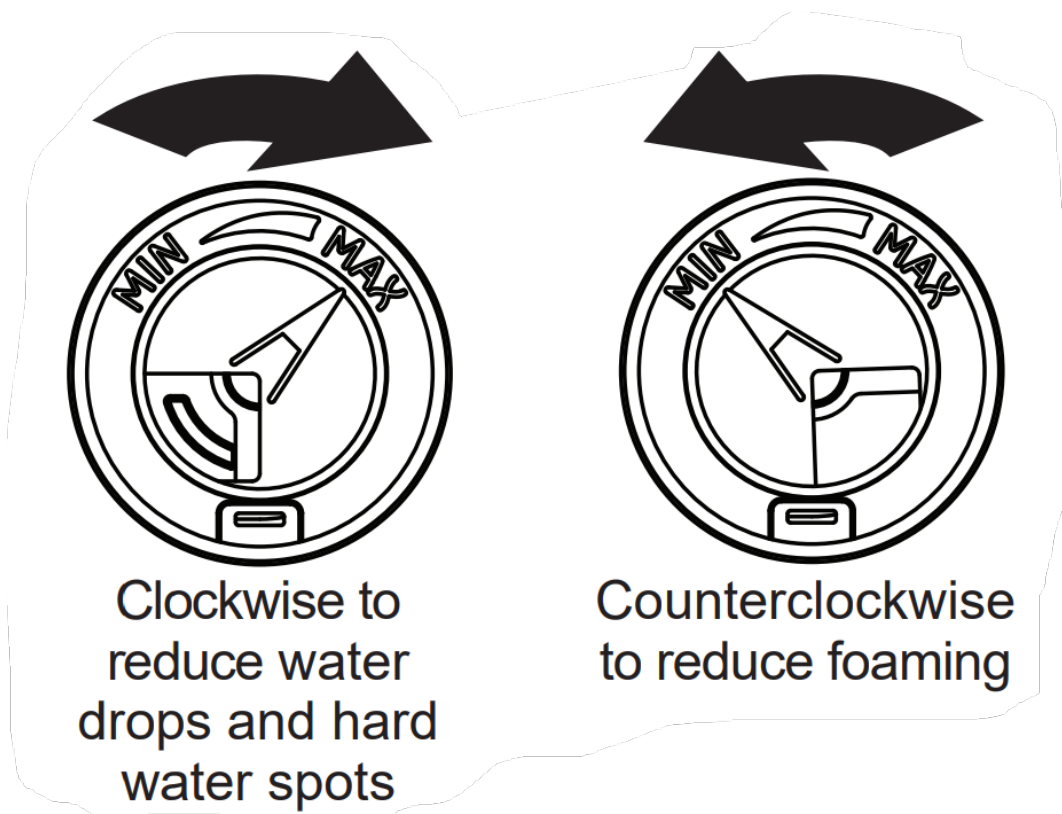
1. Make sure the dishwasher door is fully open.
2. Open the Rinse Agent dispenser door.
3. Slowly add rinse agent until the cup is full. You may need to pause several times to allow rinse aid to settle.
4. Clean up any spilled rinse agent with a damp cloth to prevent foam from forming inside the dishwasher.
5. Close the Rinse Agent dispenser door

### **Rinse Aid Setting**



The amount of rinse agent released into the final wash can be adjusted. If water drops or hard water spots remain on dishes after the dry cycle, increase the setting.

**To adjust the setting**



Open the Rinse Agent dispenser door; then turn the adjuster clockwise to increase the amount of rinse agent, counterclockwise to reduce the amount of rinse agent.

### Leak Protection (on some models)

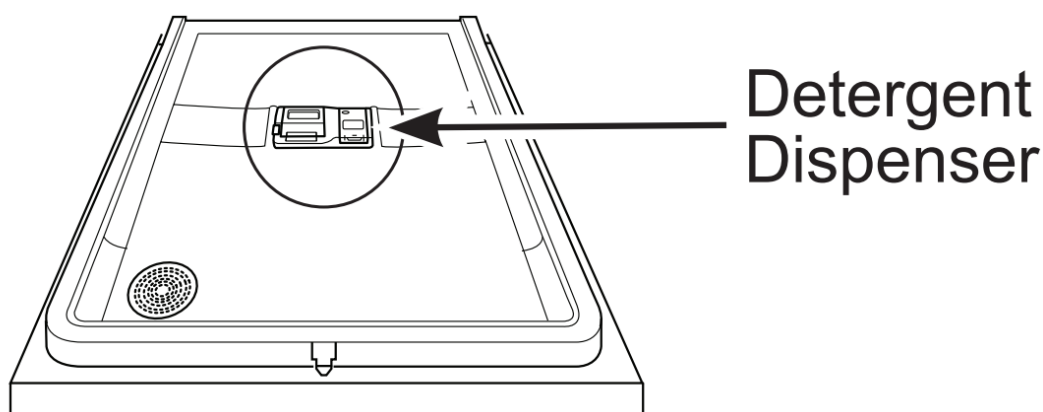
---

If a leak is detected, the dishwasher will drain and the cycle will stop. The display will show "LEAK DETECTED". Call for service.

### Detergent Dispenser

The detergent dispenser is located in the center of the dishwasher door. It has two compartments. The main wash compartment is found inside the detergent dispenser. To open, press the button on the side of the dispenser. The pre-wash compartment is on the lid of the detergent dispenser. Use the pre-wash compartment only when your water is extremely hard or when you have a heavy soiled load. The pre-wash compartment is not used when tablet or packet detergents are used.

**NOTE:** Do not block detergent dispenser with large or tall dishware



You may use tablet, packet, powder, liquid or gel automatic dishwasher detergent. Make sure you use only detergents specifically labeled for use in automatic dishwashers. Never use liquid hand dish detergent in an automatic dishwasher. Sudsing and poor wash performance will result with the use of improper detergents.

Detergents should be stored in a dry location and in their original container to prevent loss of effectiveness. Place detergent in the cup just prior to starting the dishwasher and then close the cover. The cover will open during the wash cycle.

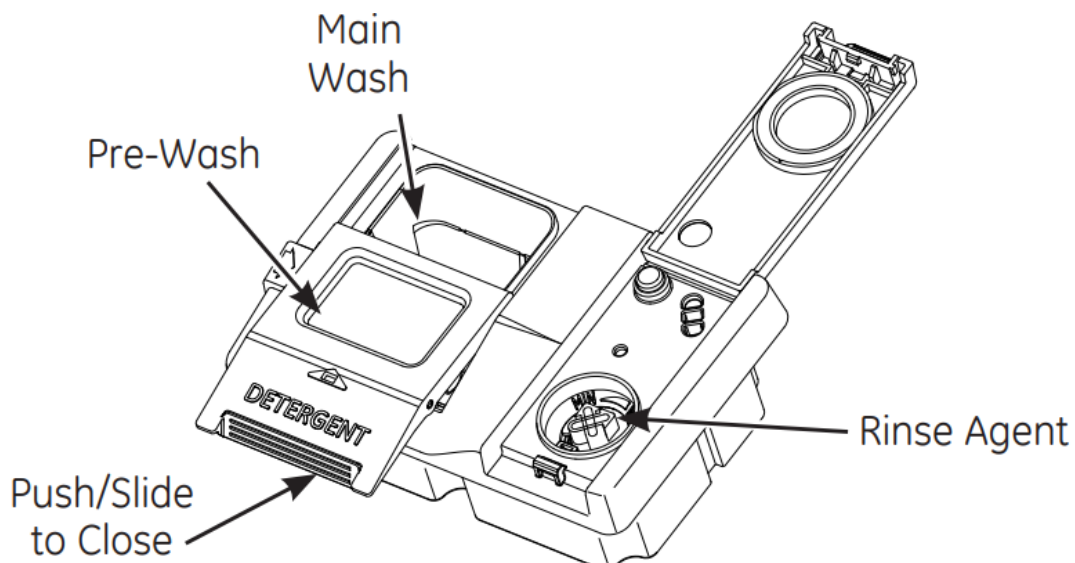
### Filling the Detergent Dispenser

GE recommends using detergent in tablet or packet form. Independent testing has shown this form of detergent is very effective in the dishwasher. **Cascade® Platinum Pacs** are an example of this type of detergent. Simply put a tablet or packet into the main wash compartment and slide to close the detergent cup cover. Please notice that the tablet or packet must be placed in the main wash compartment of the detergent cup. If the tablet or packet is tossed in the bottom of the dishwasher,

the detergent will be flushed down the drain in a very short period of time and will thus be wasted. Wash performance will be very poor as a result.

If you choose to use detergent in powder, liquid or gel form, the amount of detergent you use will be determined by *the hardness* of your water, the temperature of your water, and the food soil load inside the dishwasher. Contact your water company to get information about the hardness of the water in your area. Water hardness is measured in grains per gallon. Use this information and the table below to determine the amount of detergent to use. You may purchase a hard water test strip from GE.

<b><i>Number of Grains/Gal.</i></b>	<b><i>Detergent Cups to Fill</i></b>
Less than 4	Fill cup to 1/3 full
4 to 8	Fill cup to 2/3 full
8 to 12	Fill cup completely full
Greater than 12	Fill both main wash cup and pre wash cup

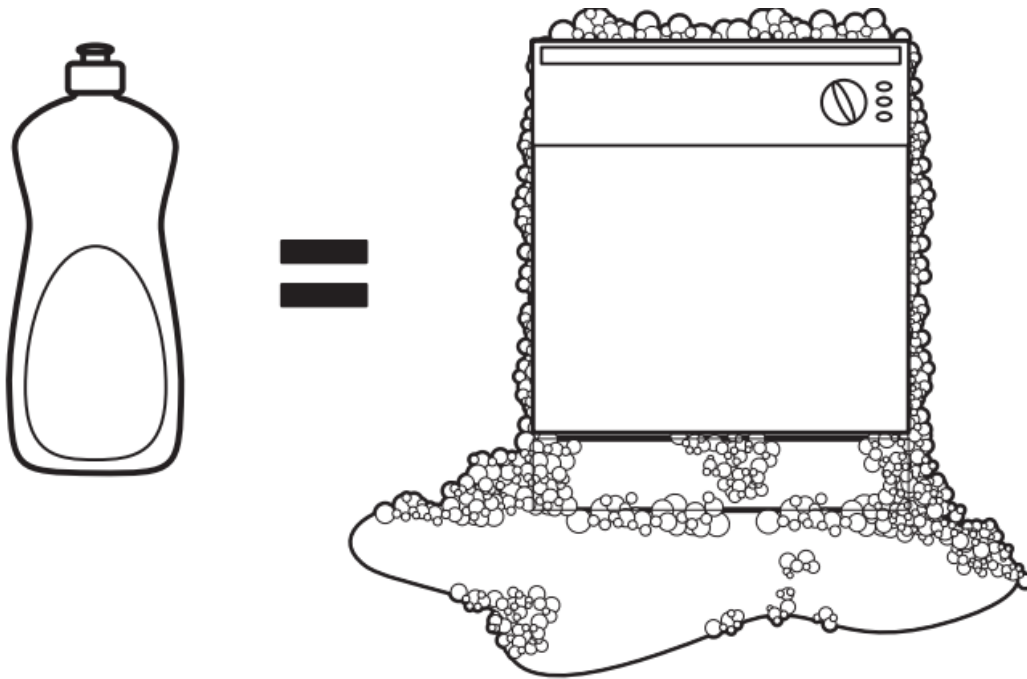


Using too much detergent with very soft and/or very hot water may cause a condition called etching on your glassware. Etching is a permanent cloudiness in your glassware. This condition is irreversible. However, using too little detergent will cause poor wash performance.

Use the table as a starting point and then adjust the amount of detergent you use. Use just enough to get good wash performance. Using just the right amount of detergent will provide great wash performance without wasting detergent or etching glassware.

**DO NOT USE HAND DISH DETERGENT**





**NOTE:** Using a detergent that is not specifically designed for dishwashers will cause the dishwasher to fill with suds. During operation, these suds will spill out of the dishwasher vents, covering the kitchen floor and making the floor wet.

Because so many detergent containers look alike, store the dishwasher detergent in a separate space from all other cleaners. Show anyone who may use the dishwasher the correct detergent and where it is stored.

While there will be no lasting damage to the dishwasher, your dishes will not get clean using a dishwashing detergent that is not formulated for automatic dishwashers.

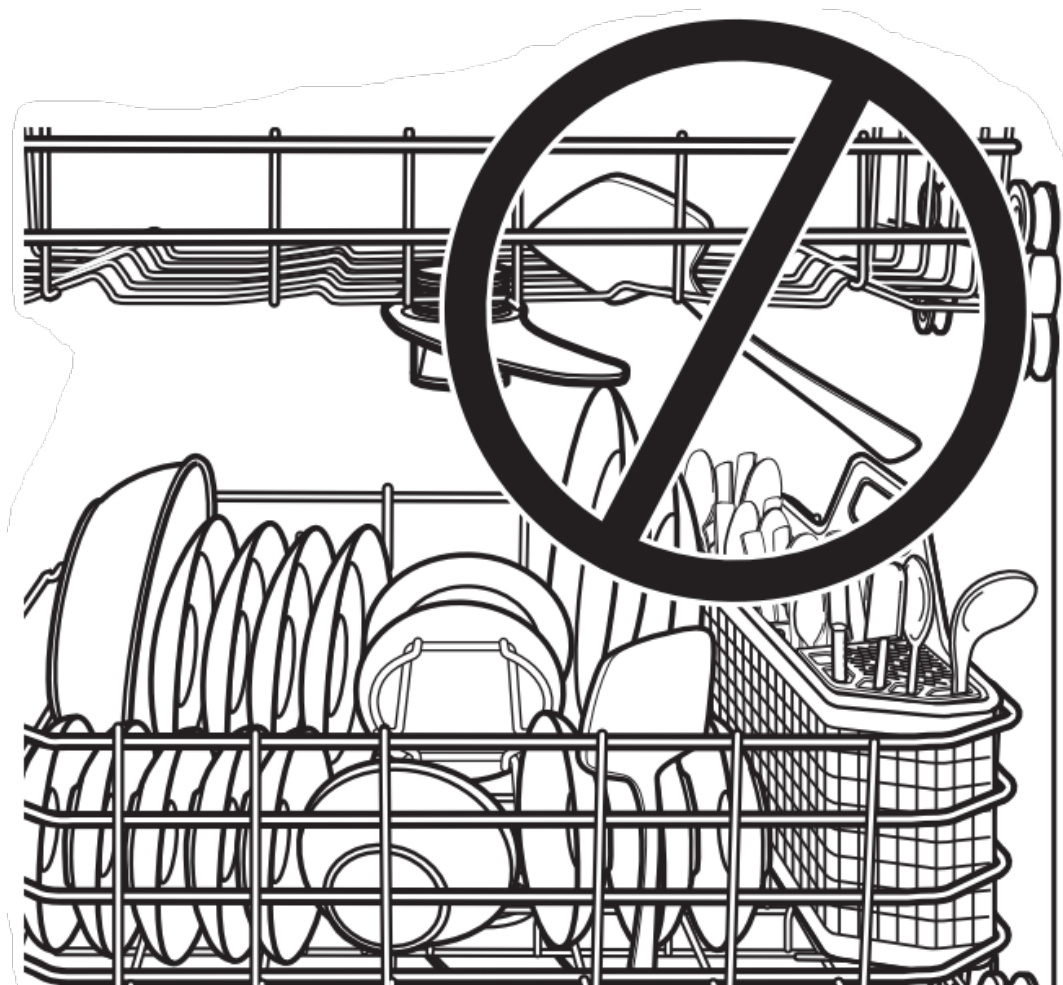
## LOADING

### Upper Rack

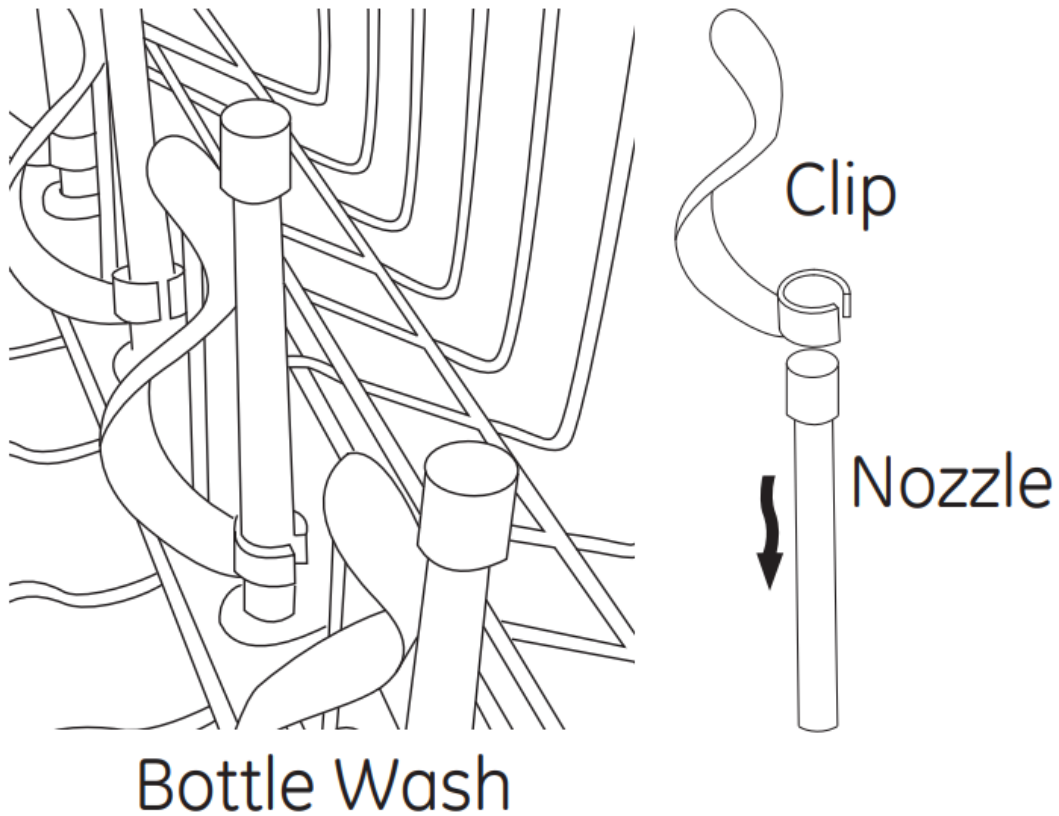
The upper rack is primarily for glasses, cups, and saucers. For best wash performance, tilt cup and glass openings toward the center of the rack. Other items such as pots, pans, and plates may be placed in the upper rack. This is also a secure place for dishwasher-safe plastic items. The upper rack can be used for odd sized utensils. Sauce pans, mixing bowls, and other similarly shaped items should be placed face down for best wash performance. Ensure small plastic items are secure so that they cannot fall on the heater at the bottom of the dishwasher, potentially damaging the item. Some models are equipped with a hidden heater, so dishwasher safe plastic items can be placed in the lower rack.

**IMPORTANT:** Ensure items in the upper rack do not interfere with the 3rd Rack (on some models) when loading and unloading.

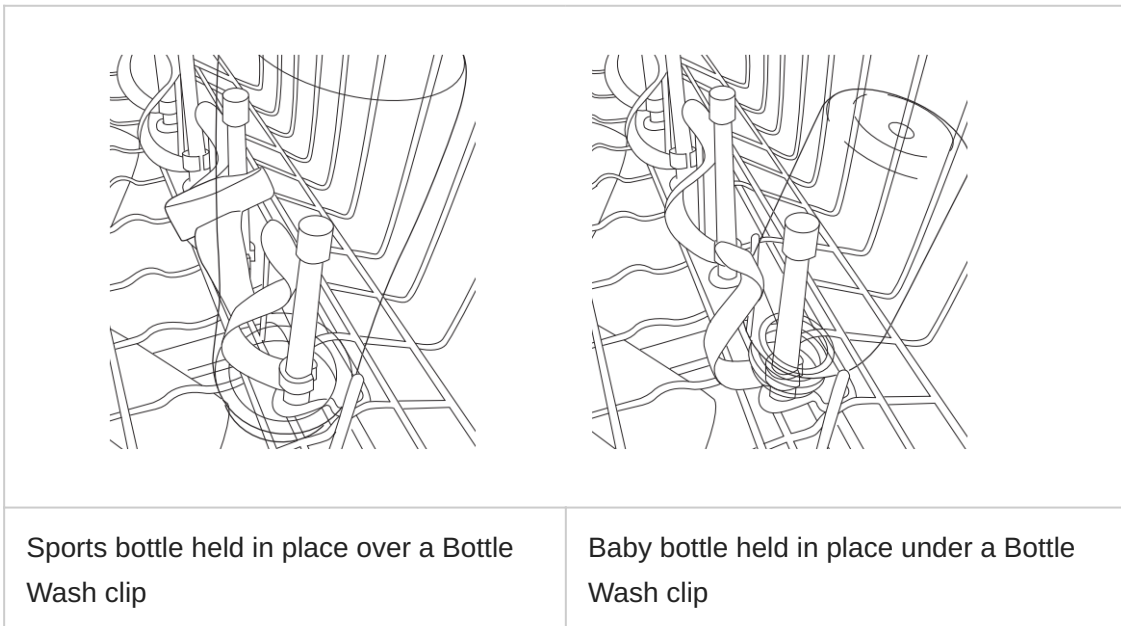
**IMPORTANT:** Ensure that items do not protrude through the bottom of the rack or silverware basket where they will block the rotation of the middle spray arm. This could result in noise during operation and/ or poor wash performance.



## Bottle Wash



The Bottle Wash system (on some models) is the ideal location to position baby bottles and tall sports bottles. The Bottle Wash clips hold bottles with small openings in place so water jets are directed inside the bottles to clean hard to reach areas. Clips can be installed or removed by simply slipping the clip opening over the top of the nozzle.



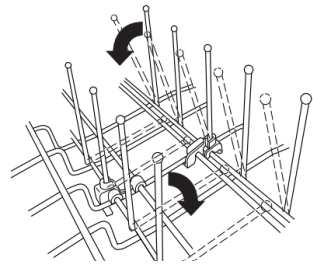
## Upper Rack

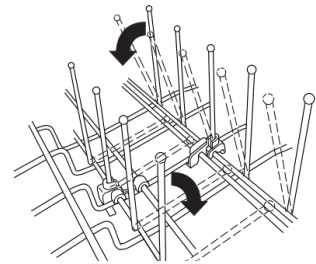
**CAUTION** A loaded upper rack may be heavier than anticipated. To prevent minor injury or damage to the contents, do not raise or lower the upper rack after the rack is loaded.

The upper rack allows 2" of adjustment up or down to accommodate large items. The upper rack may be lowered by pushing the long flaps on each side of the rack. This will allow you to lower the rack (see fig. Upper Rack). To raise the rack, lift up on the rack until the rack locks in place.

To add flexibility in loading, the utility shelf (on some models) may be placed in the up or down position or unfolded and placed in the lower unfolded position. The shelf may also be used to secure stemware such as wine glasses. Because these stemware items come in various sizes, slowly push the rack in to ensure the items do not bump into the edges of the dishwasher, which may cause damage to the items.

Place the slots in the utility shelf clips over the vertical rack wires and push down to attach utility shelf onto second wire of rack	
--	--

The fold down tines (on some models) provide flexibility for extra-large and hard-to-fit items. The tine rows can be adjusted to a vertical or lay-down position.	
---	---

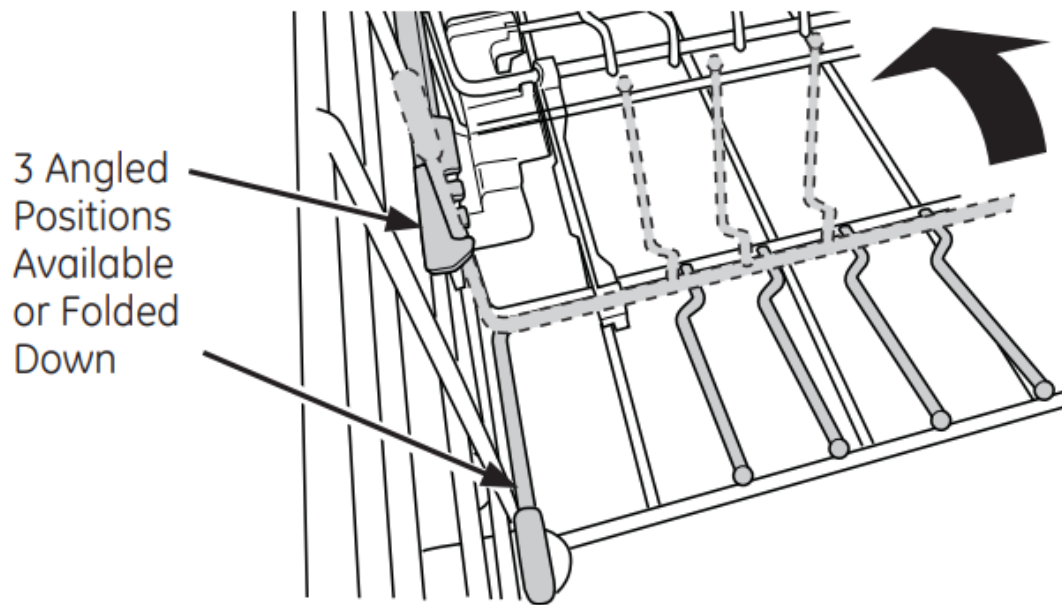


## Lower Rack

The lower rack is best used for plates, saucers and cookware items. Large items, such as broiler pans and baking racks should be placed along the sides of the rack. If necessary, oversized glasses and mugs can be placed in the lower rack to maximize loading flexibility. Plates, saucers and similar items should be placed between the tines in the direction that allows the item to remain secure in the rack.

The lower rack fold down tines (on some models) can be adjusted to different upright angles or placed flat to provide flexibility for hard-to-fit or extra-large items.

**NOTE:** Do not load large items in the lower rack where they may block the wash jets from rinsing out the detergent dispenser.



The reversible tine blocks (on some models) are designed to allow greater flexibility in loading dishes. The direction of the tine blocks can be changed to match your preferred loading direction as shown in Figure A or Figure B:

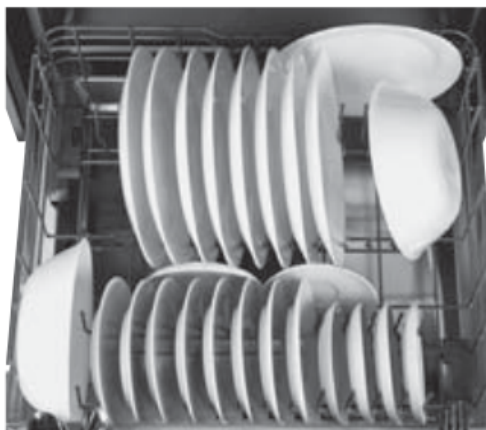


Figure A

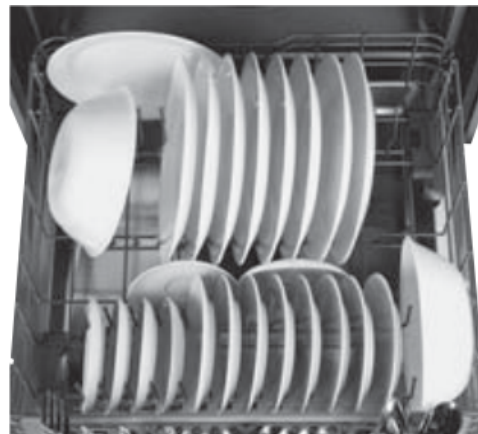
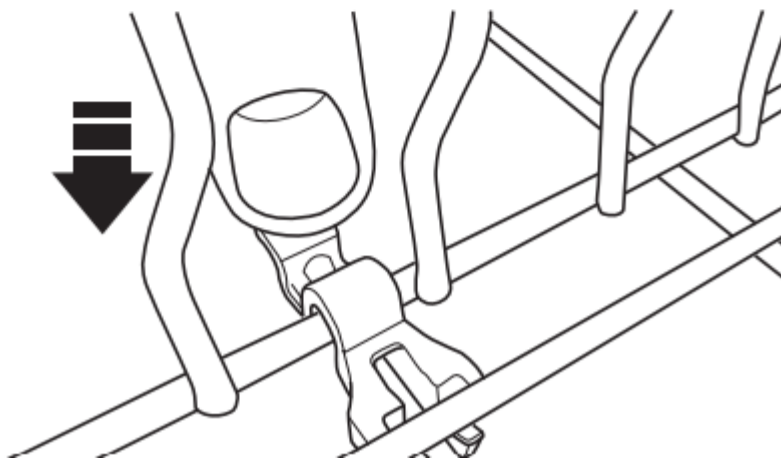
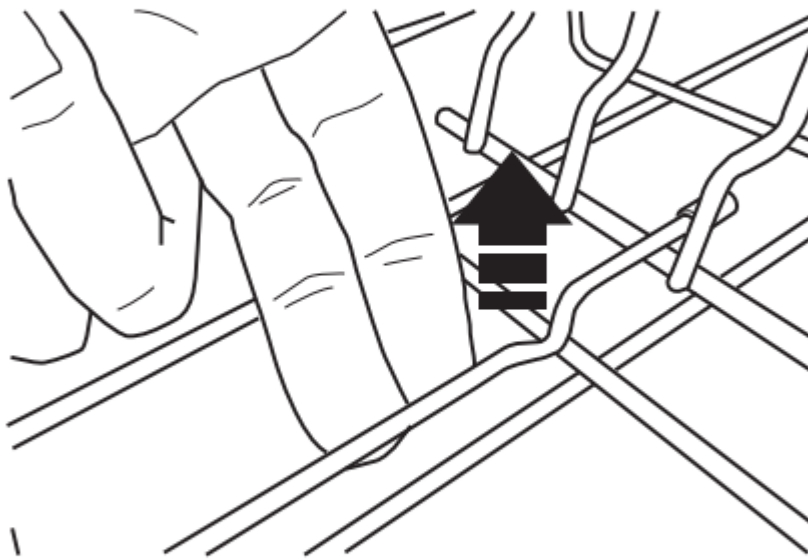
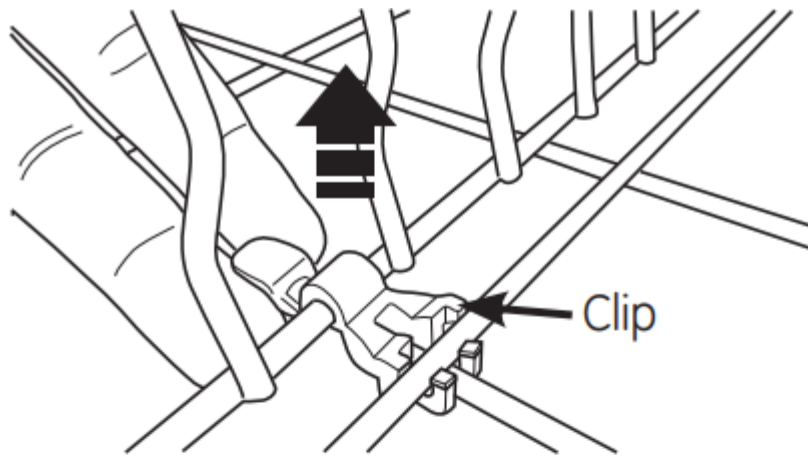


Figure B

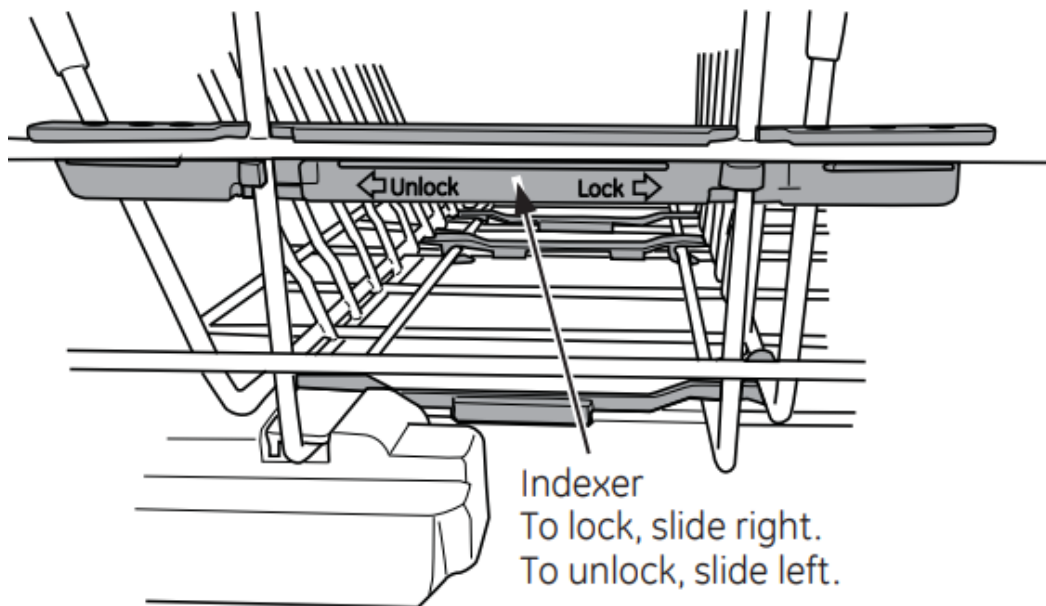
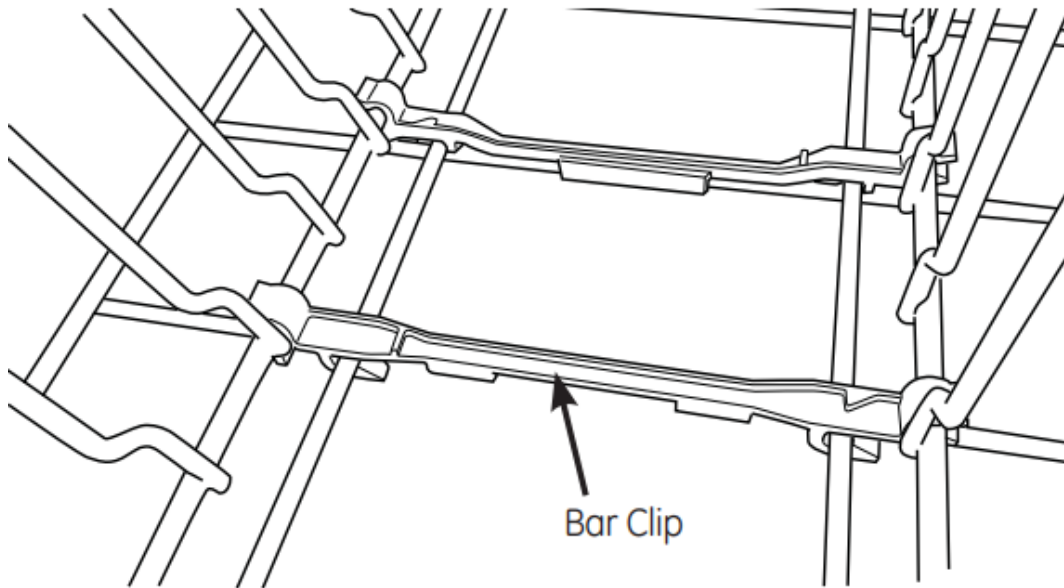
To adjust the tine block direction, remove the clips securing the tine blocks to the racks by pulling up on the tab, then gently flex the retaining wire from the center to unseat the tine block from the lower rack. The tine block may be turned in the opposite direction to reverse loading direction. Secure the tine block to the rack using the same process and be sure to snap the clips back in place.



**WARNING!** The clips can be a choke hazard for small children if removed from the dishwasher. Keep out of reach of children.

To change the direction of the fold down tines, lower the tines, then pull away from the bar clips that secure the tines to the rack and remove. Reverse the direction of the tines, orienting the handle on the opposite side of the rack. Reattach the tines to the bar clips by pushing the tines back until they click in place. The indexer will also need to be switched to the opposite side of the

dishwasher. To remove the indexer, simply slide it the in the direction labeled “unlock.” Then, align the indexer with the rack on the other side and slide in the direction that says “lock” in order to reattach the indexer to the rack.



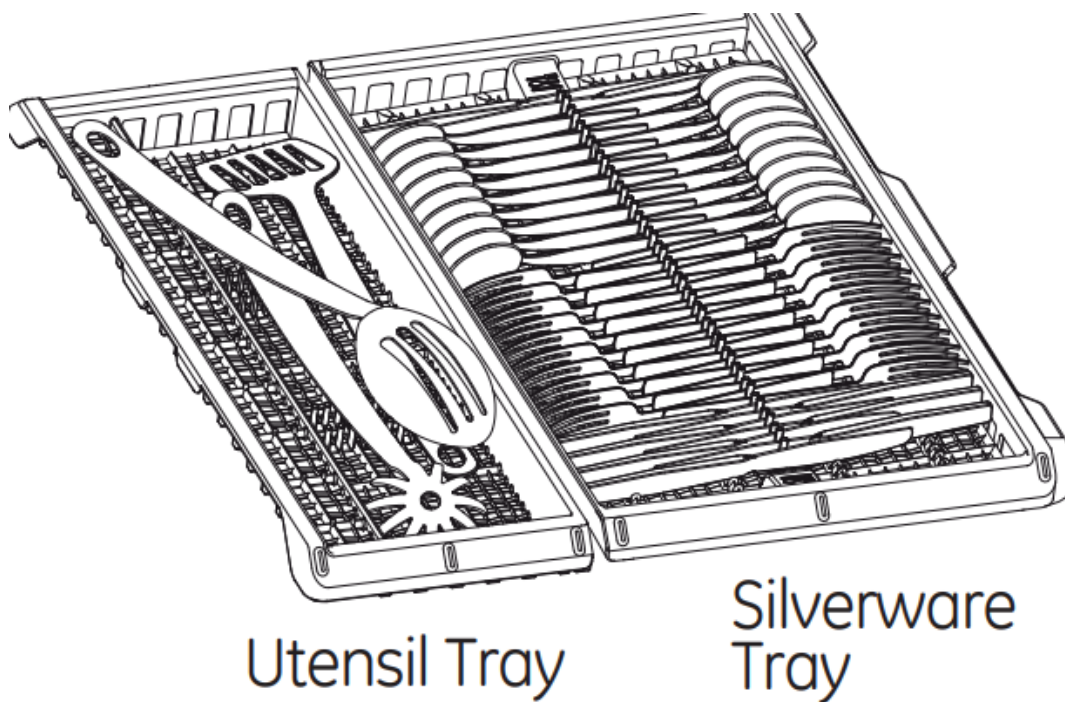
**IMPORTANT:** It is important to ensure that items do not protrude through the bottom of the rack or the silverware basket where they will block the rotation of the lower spray arm. Also, ensure that large plates, pots, or tall items don't hit the mid spray arm. This could result in noise during operation and/or poor wash performance.

---

### 3rd Rack

The 3rd rack is the recommended location for silverware and large utensils





The 3rd rack is the recommended location for silverware and has 2 trays:

**The utensil tray** holds serving spoons, chop sticks, spatulas, cutlery, whisks, etc. Be sure not to overlap the utensil heads.

**The silverware tray** holds silverware individually in slots and is positioned by alternating the heads of the silverware.

These trays may be removed to allow for easier loading and unloading, changing the side that the trays are on, or to create extra space for the upper rack.

**To remove a tray**, fully extended the 3rd rack, grasp both the front and back handles on one tray and gently lift the tray out of the rack.

**To replace the tray**, grasp both handles and gently place it on the rack so that the deepest part is towards the center of the rack.

**CAUTION** Take care when loading, unloading, or transporting the silverware or utensil trays. The trays may contain sharp or heavy items. If items are dropped from the trays or the trays are dropped, injury could occur.

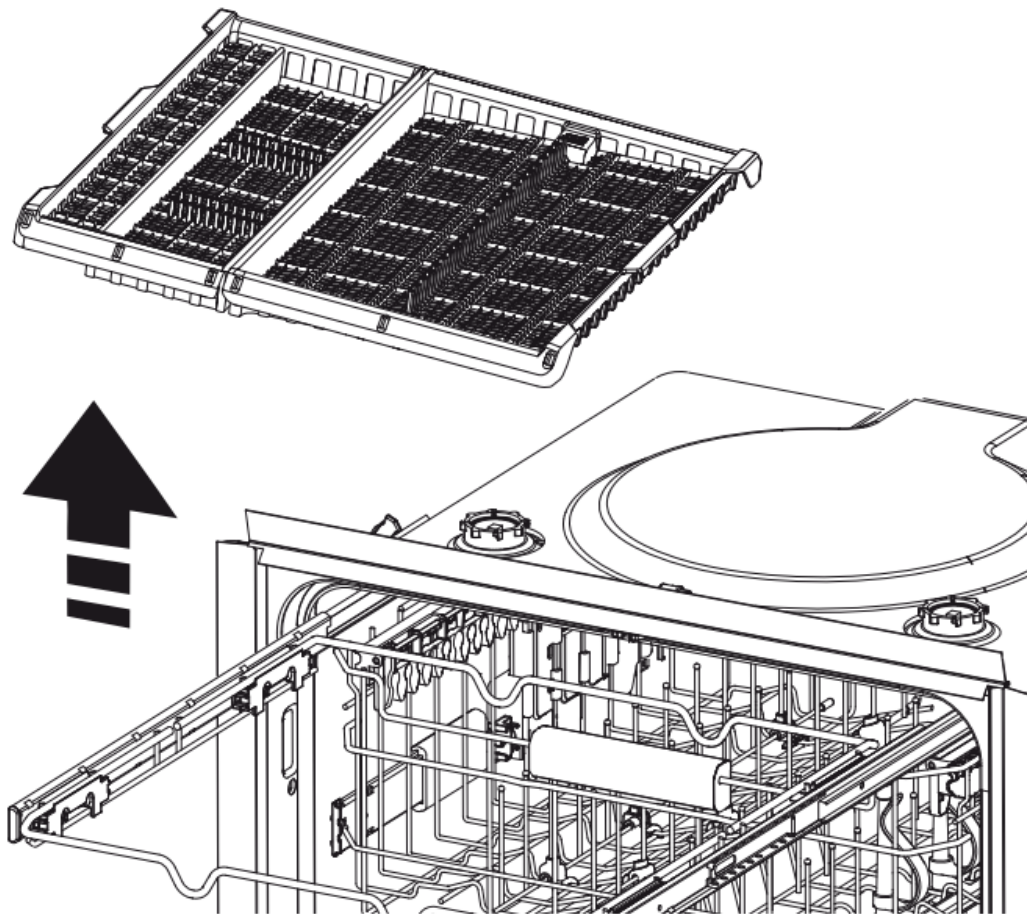
#### **IMPORTANT NOTES:**

- Do not place cutlery of different materials next to each other in the 3rd rack. Doing so may cause discoloration of the cutlery.
- The trays are only meant to be used with a GE 3rd rack dishwasher to hold silverware, cooking utensils, and other small items. Using the trays for any other purpose could result in damage to the trays or damage to anything interacting with the trays.

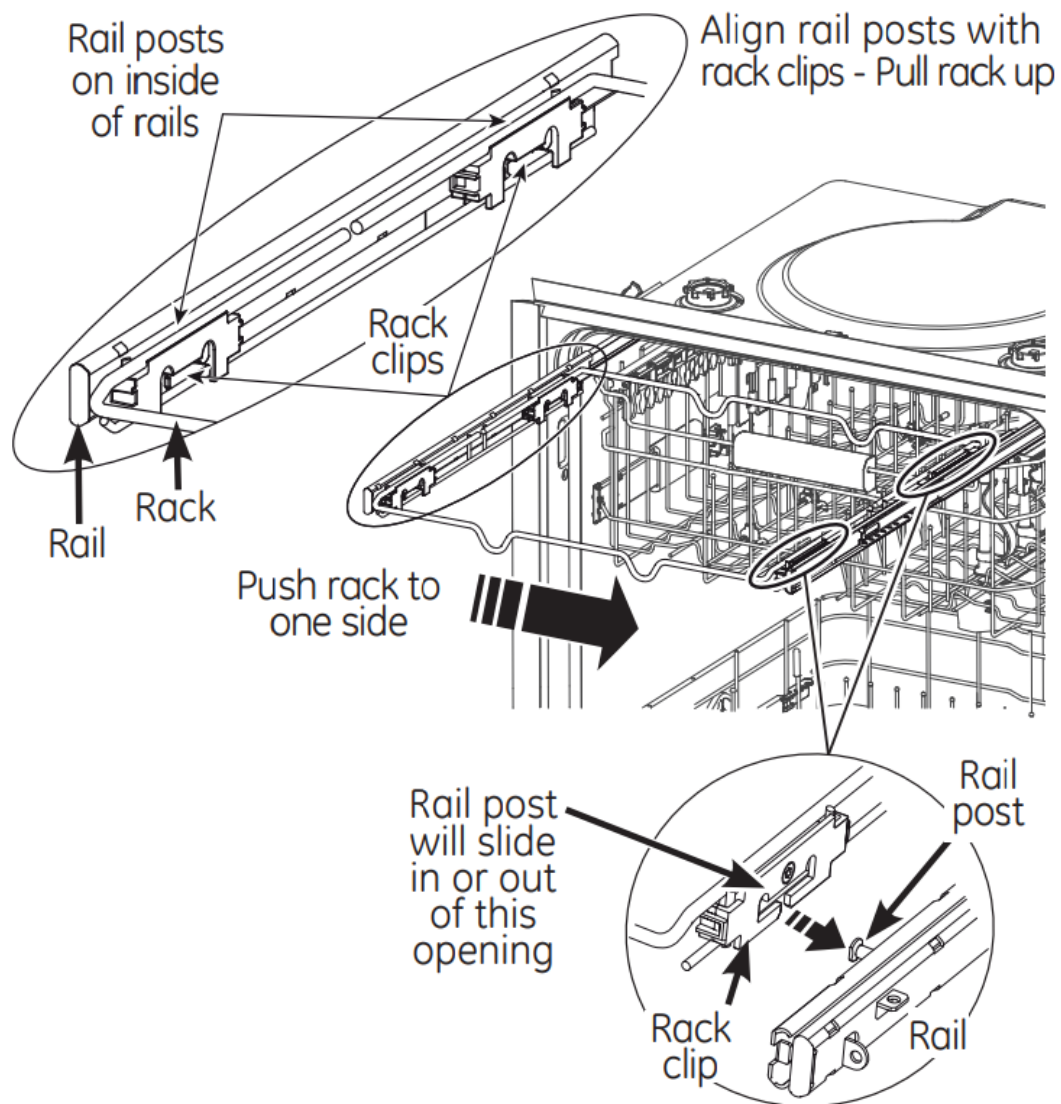
- Ensure that the 3rd rack is fully closed before shutting the dishwasher door. Shutting the door with the rack partially extended could cause damage to the dishwasher.

**To remove the 3rd rack:**

1. Remove the silverware and utensil trays. (See the IMPORTANT NOTES in this section.)



2. Push the rack all the way to one side so that a gap between it and the side rail forms on the other side. Align the side rail posts with the center of the clips on the rack and lift straight up.

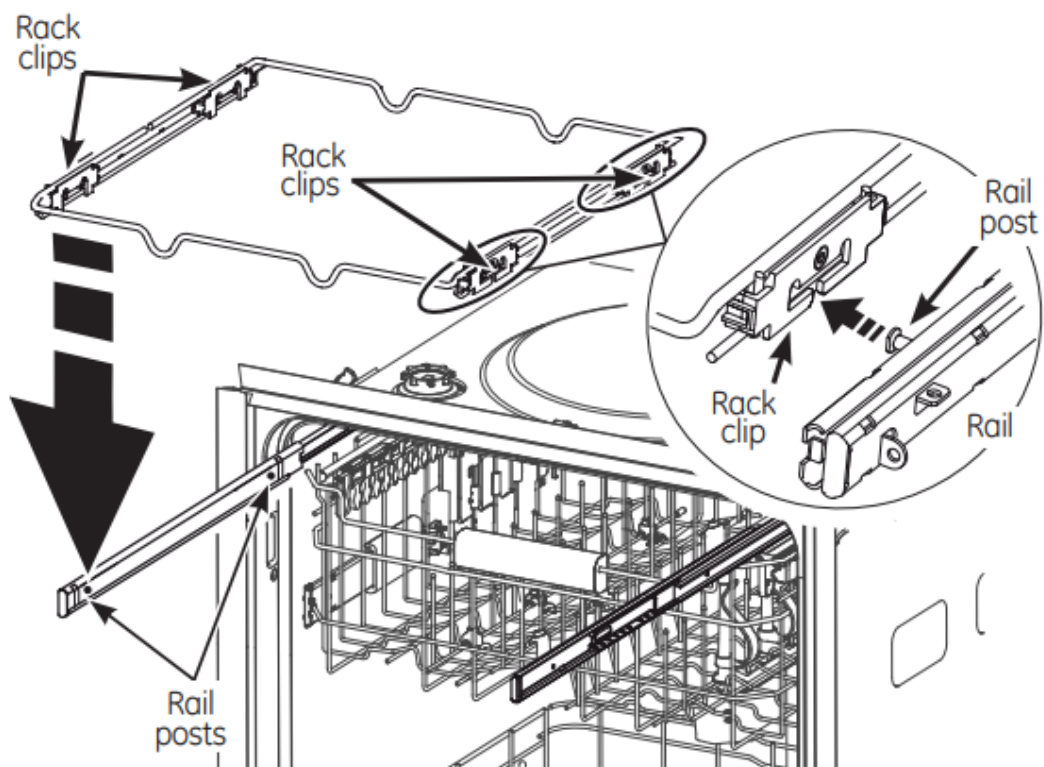


3. Continuing to hold the rack in the lifted position, repeat on the other side.
4. Once the rack is removed, push the side rails all the way back into the dishwasher.

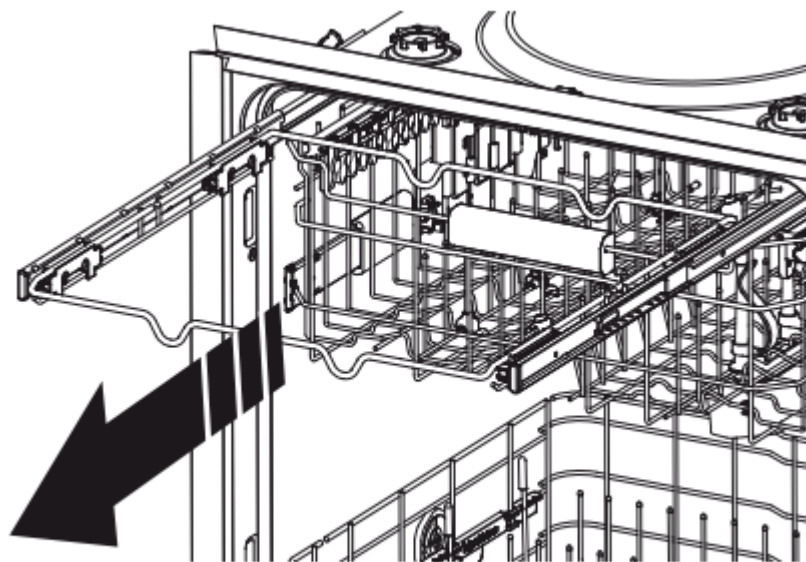
---

### To replace the 3rd rack:

1. Extend both side rails fully out of the dishwasher.
2. Orient the rack so that its side clips are aligned and centered with the posts on the side rail and lower the clips onto the posts.
3. Move the rack to one side of the dishwasher until the clips fall onto the posts.



4. Continuing to hold the rack in the lifted position, repeat on the other side.
5. Once the rack is replaced, pull it all the way out to lock it in place in its side rails.



Pull rack all the way out to lock it in place

6. Replace the silverware and utensil trays.

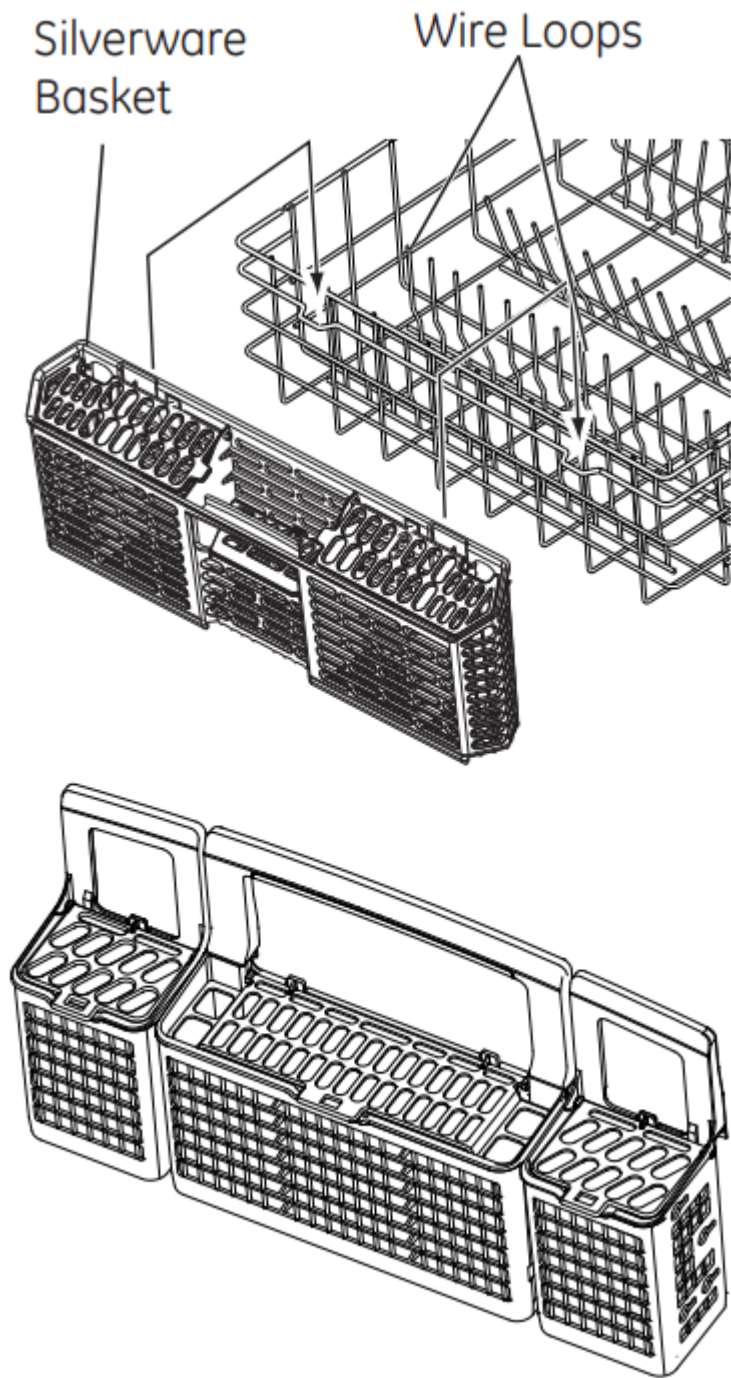
## Silverware Basket

---

Place flatware in the removable silverware baskets. Sharp objects, such as forks and knives, may be placed with the handles facing up, in order to protect your hands. For the best wash performance, place other items such as spoons with the handles facing down. Avoid allowing items to nest together, which may keep them from being properly washed. When loading, distribute items evenly in the basket.

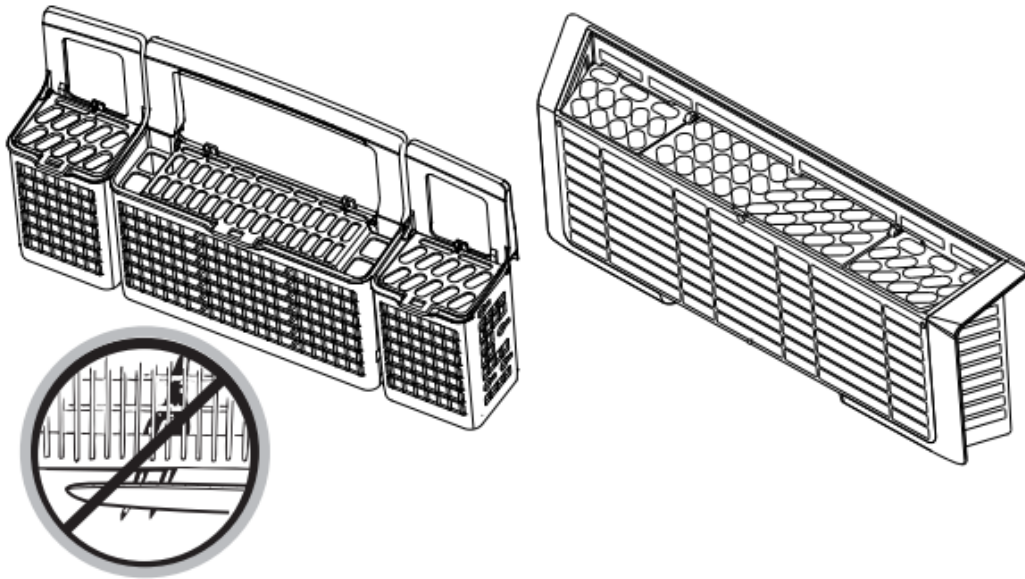
The silverware baskets may also be used for small items, such as measuring spoons, baby bottle nipples, plastic lids, or corn cob holders. The silverware basket covers can be closed to contain small items.

The Easy Access Silverware Baskets (on GDF570 and DDT575 models) may be positioned on the front of either the upper or lower racks. Secure the basket to the rack using the wire loop on the front of the upper and lower racks to engage the tabs on the rear of the basket.



On other models, the silverware basket may be positioned by placing the hooks on the back of the basket over the top wire on the sides of the lower rack.

**IMPORTANT NOTE:** Do not load large or tall utensils where they may block the detergent dispenser, mid spray arm, or become trapped between the door and the gasket when the door is closed.



## CARE & CLEANING

### Cleaning the Exterior Door Panel

---

Before cleaning the front panel, make sure you know what type of panel you have. Refer to the last two letters of your model number. You can locate your model number on the left-hand tub wall just inside the door. If your model number ends with BB, CC, WW, SA or ES then you have a painted door panel. If your model number ends with SS, then you have a Stainless Steel door panel. If your model number ends with II, then you have an Integrated door panel.

Follow the instructions below for cleaning the door panel for your specific model.

**Painted Door Panel** (model numbers ending in BB–black, CC–bisque, WW–white, SA–silver or ES–slate)

Use a clean, soft, lightly dampened cloth, then dry thoroughly.

**Stainless Steel Door Panel** (model numbers ending in SS)

**For cleaning rust and tarnish**, cleaners with oxalic acid such as Bar Keepers Friend Soft Cleanser™ will remove rust, tarnish and small blemishes. Use only a liquid cleanser free of grit and rub in the direction of the brush lines with a damp soft sponge. Do not use appliance wax or polish on the stainless steel.

**For other blemishes and marks**, use Stainless Steel Magic or a similar product using a clean soft cloth. Do not use appliance wax, polish, bleach or products containing chlorine on Stainless Steel. You can order Stainless Steel Magic # WX10X29 through GE Parts by calling In Canada, call 1-800-661-1616.

**Integrated Door Panel** (model numbers ending in II)

This is a custom installed door panel, and you will need to refer to the cabinet manufacturers recommendations for proper cleaning.

---

### **Cleaning the Control Panel**

To clean the control panel, use a lightly dampened cloth. Then dry thoroughly.

---

### **Cleaning the Dishwasher Interior**

To clean and de-odorize your dishwasher, use citric acid or Lemi Shine®\*, a detergent additive. Lemi Shine will break up mineral deposits, and remove hard water film and stains. You can order citric acid #WD35X151 through GE Parts by calling 877-959-8688 or visiting [GEApplianceparts.com](http://GEApplianceparts.com). In Canada, call 1-800-661-1616. You can purchase Lemi Shine at your local grocery store or by calling GE at the numbers above and ask for WX10X10019.

---

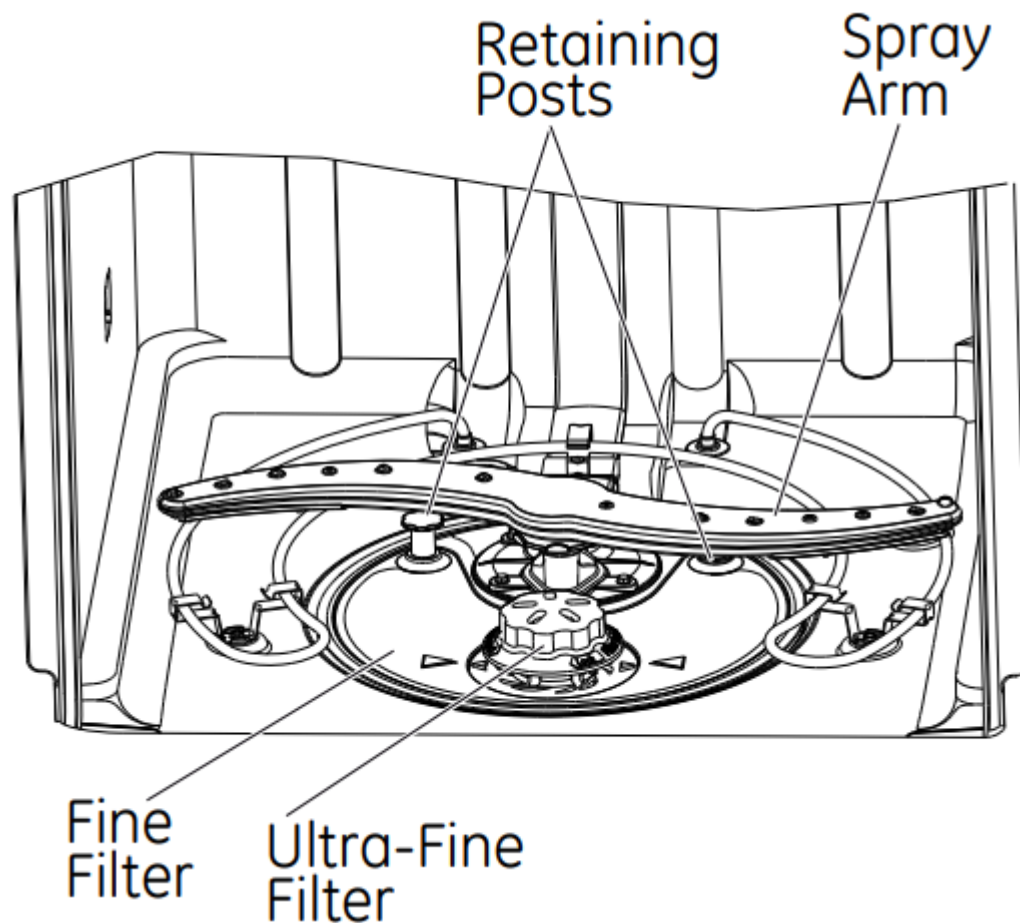
### **Stainless Steel Inner Door and Tub**

The stainless steel used to make the dishwasher tub and inner door provides the highest reliability available in a GE dishwasher.

If the dishwasher tub or inner door should be scratched or dented during normal use, they will not rust or corrode. These surface blemishes will not affect their function or durability.

---

## Filters



Inspect and clean the filters periodically. This should be done every other month or so depending on usage. If there is a decrease in wash performance or dishes feel gritty, this is also an indication the filters need to be cleaned.

---

### Ultra-Fine Filter

To clean the Ultra-Fine Filter, remove the bottom rack. Twist counterclockwise and remove the Ultra-Fine Filter. Rinse filter with warm soapy water and use a sponge to carefully remove any stubborn particles. Scrubbing with scouring pads or brushes can damage the filter. Once cleaned, replace the Ultra-Fine Filter, and twist clockwise to lock in place.

### Fine Filter

To clean the Fine Filter (mesh plate), remove the bottom rack. Remove the Ultra-Fine Filter.

Twist counterclockwise each of the two retaining posts located toward the back bottom of the tub, and remove the Fine Filter. Rinse filter with warm soapy water. Scouring pads or brushes can scratch the filter surface but a soft brush or sponge may be needed to remove stubborn soils or

calcium deposits caused by hard water. Once cleaned, replace the Fine Filter, the Ultra-Fine Filter, and twist clockwise the two retaining posts into place.

**WARNING!** The retaining posts can be a choke hazard for small children if removed from the dishwasher. Keep out of reach of children.

---

## Protect Against Freezing

If your dishwasher is left in an unheated place during the winter, ask a service technician to:

1. Turn off electrical power to the dishwasher. Remove fuses or trip circuit breaker.
  2. Turn off the water supply and disconnect the water inlet line from the water valve.
  3. Drain water from the water inlet line and water valve. (Use a pan to catch the water.)
  4. Reconnect the water inlet line to the water valve.
- 

## Does Your Dishwasher Have an Air Gap?

An air gap protects your dishwasher against water backing up into it if a drain clogs. The air gap is not a part of the dishwasher. It is not covered by your warranty. Not all plumbing codes require air gaps, so you may not have one.

**The air gap is easy to clean.**

1. Turn off the dishwasher and lift off the air gap cover.
2. Remove the plastic cap under the cover and clean with a toothpick.
3. Replace the cap and cover when the air gap is clean.

### Air gap



*Check the air gap any time your dishwasher isn't draining well.*

# TROUBLESHOOTING

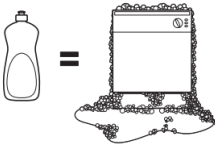


Problem	Possible Cause	What To Do
<b>Start status indicator light flashing</b>	The door was opened or the cycle was interrupted.	Press the <b>Start</b> pad once and close the door 3 seconds to start the dishwasher. Press the <b>Start</b> pad a second time when the dishwasher is running if you wish to cancel the cycle.
<b>Dishwasher BEEPS once every minute</b>	This is a reminder that your dishwasher door has been left open during operation. It will continue beeping until you press Start and close the door.	Press <b>Start</b> and close the door.
<b>Display shows “LEAK DETECTED”</b>	Possible leak is detected	Some models are equipped with leak detection. The cycle will be cancelled if a leak is detected. The display will show “LEAK DETECTED”. Call for service.
<b>Beeping at the end of the cycle (on some models)</b>	This is normal. Dishwasher will beep twice at the end of the cycle.	To turn off the double beep indicator (or re-activate if it was previously turned off), press the <b>Heated Dry</b> pad 3 times within 3 seconds. A triple beep will sound to indicate the end-of-cycle beep option has been turned on or off.
<b>Dishes and flatware not clean</b>	Ultra Fine or Fine filter is clogged	See the <b>Care and Cleaning</b> section.
	Low inlet water temperature	Make sure inlet water temperature is correct (see <b>USING THE DISHWASHER</b> section). Turn on the hot water faucet nearest the dishwasher, let run until the water temperature stops rising. Then start the dishwasher and turn off the faucet. This ensures the enter water is hot. Select <b>Wash Temp Boost</b> or <b>Boost Temp</b> if available.
	Water pressure is temporarily low	Turn on a faucet. Is water coming out more than usual? If so, wait until pressure is normal before using your dishwasher.
	Air gap or disposer clogged	Clean the air gap or flush the disposer.
	Improper rack loading	Make sure large dishware does not block the spray dispenser or the wash arms. See the <b>Loading</b> section.



Problem	Possible Cause	What To Do
	Leak detected	Some models are equipped with leak detection. The cycle will be cancelled if a leak is detected. The display will show "LEAK DETECTED". Call for service.
<b>Spots and filming on glasses and flatware</b>	Extremely hard water	<ul style="list-style-type: none"> <li>• Use high quality rinse agents such as <b>Cascade® Complete Rinse Aid</b> to prevent spots and prevent new film build-up.</li> <li>• If water is extremely hard, a softener may be required.</li> </ul>
	Low inlet water temperature	Make sure water temperature is at least 120°F.
	Overloading or improper loading of the dishwasher	Load dishwasher as shown in the <b>Loading</b> section.
	Old or damp powder detergent	Make sure detergent is fresh.
	Rinse agent dispenser empty	Refill with high quality rinse agents such as <b>Cascade® Complete Rinse Aid</b> .
	Too little or low performing detergent	Make sure you use the proper amount of high quality detergent.
<b>Cloudiness on glassware</b>	Combination of soft water and too much detergent	This is called etching and is permanent. To prevent it from happening, use less detergent if you have soft water. Wash glassware in the shortest cycle to get it clean.
	Low performing phosphate-free detergent	See <b>A white film on glassware, dishware and interior</b> in this <b>TROUBLESHOOTING</b> section.
	Water temperature entering the dishwasher exceeds 150°F(66°C)	This could be etching. Lower the water heater temperature.



Problem	Possible Cause	What To Do
<b>Suds in the tub</b>	<p>Wrong detergent</p> 	<ul style="list-style-type: none"> <li>• Use only high quality automatic detergents to avoid sudsing. Automatic Dishwashing Detergents approved for use in all GE dishwashers.</li> <li>• To remove suds from the tub, open the dishwasher and let suds dissipate. Turn on hot water by pressing <b>Start</b> and close the door. Wait 30 seconds. Open the door, press and hold <b>Start</b> for 3 seconds, and close the door. Repeat if necessary.</li> </ul>
	<p>Rinse agent was spilled</p>	<p>Always wipe up rinse agent spills immediately</p>
<b>Detergent left in dispenser cups</b>	<p>Dishes are blocking the detergent cup</p>	<ul style="list-style-type: none"> <li>• Reposition the dishes, so the water and lower spray arm can flush the detergent dispenser. See the <b>Loading</b> section.</li> <li>• Reposition the tall utensils or heavy items that may be keeping the dispenser from opening. See the <b>Loading</b> section.</li> <li>• Don't place large bowls or pots directly in front of the detergent dispenser</li> </ul>
<b>Black or gray marks on dishes</b>	<p>Aluminum utensils have rubbed against dishes</p>	<p>Remove marks with a mild, abrasive cleaner.</p>
<b>Dishes don't dry</b>	<p>Low inlet water temperature</p>	<ul style="list-style-type: none"> <li>• Make sure inlet water temperature is 120°F.</li> <li>• Select <b>Heated Dry</b></li> <li>• Use <b>Wash Temp Boost</b> or <b>Boost</b> option.</li> <li>• Select a higher cycle, such as <b>Normal Sani</b>, <b>Sanitize Temp</b> or <b>Heavy</b>.</li> </ul>
	<p>Rinse agent dispenser is empty</p>	<p>Check the rinse agent dispenser and fill as recommended</p>

Problem	Possible Cause	What To Do
	Additional drying time is needed	<p>Leave door closed after the Clean light appears. Allow the fan to run an additional 90 minutes.</p> <p><b>Note:</b> If you open the door, this fan extension is cancelled.</p>
Control panel responded to inputs but dishwasher never filled with water	Door may not be completely closed	Make sure the door is firmly closed.
	Water valve may be turned off	Make sure water valve (usually located under the sink) is turned on.
	Flood float may be stuck	Remove Ultra-Fine filter and lightly tap the pie pan to dislodge the ultra fine filter that looks like a salt shaker. Reinstall the filter.
Stained tub interior	White film on inside surface—hard water minerals	<ul style="list-style-type: none"> <li>• GE recommends <b>Cascade® Complete</b> to help prevent hard water mineral forming.</li> <li>• Run dishwasher with citric acid to remove mineral deposits. Citric acid (Part number: W10155000) can be ordered through GE Parts. See <a href="#">www.ge.com</a> for ordering information. Alternatively, use Lemi Shine and follow the directions.</li> </ul>
Dishwasher won't run	Fuse is blown or circuit breaker is tripped	Replace fuse or reset circuit breaker. Remove other appliances from the circuit.
	Power is turned off	In some installations, the power to the dishwasher is provided through a wall switch, often located near the disposer switch. Make sure it is on.



Problem	Possible Cause	What To Do
	Control panel is locked	Unlock control panel. See the <b>Getting started</b>
	Possible leak is detected	
	Proper Start sequence was not followed	See the Using the dishwasher section.
<b>Control panel lights go off when you're setting controls</b>	Time too long between touching of selected pads	Each button must be touched within 30 seconds of others. To relight, touch any button again or open the door and unlock (top control)..
<b>Water standing in the bottom of the tub</b>	Air gap is clogged	Clean the air gap. See the <b>Care and Cleaning</b>
	High drain loop or air gap not installed	Refer to the Installation Instructions for proper installation.
<b>Water won't pump out of the tub</b>	Drain is clogged	<ul style="list-style-type: none"> <li>• If you have an air gap, clean it. See the <b>Cleaning</b> section.</li> <li>• If the dishwasher drains into a disposal, make sure the disposal is clear.</li> <li>• Check to see if your kitchen sink is properly installed. If not, you may need a plumber.</li> </ul>
<b>Steam</b>	This is normal	Warm, moist air comes through the vent during the cycle when water is being pumped out. This is necessary for proper drying.
<b>Sanitized or Cycle Sanitized light does not illuminate at the end of the cycle</b>	The door was opened and the cycle was interrupted during final rinse	Do not interrupt the cycle by opening the door during the wash cycle.
	The incoming water temperature was too low	Raise the water heater temperature to between 120°F and 150°F.
<b>Noise</b>	<p>Normal operating sounds:</p> <p>Detergent cup opening</p> <p>Water entering dishwasher</p> <p>The motor stops and starts at various times during the cycle</p>	These are all normal. No action is required.

Problem	Possible Cause	What To Do
	<p>Spray arms start and stop at various times</p> <p>Drain pump sounds during pump out</p> <p>Drain pump starts and stops several times during each drain</p>	
	<p>Rattling dishes when the spray arm rotates</p>	<p>Make sure dishes are properly loaded. See the section.</p>
	<p>Rattling silverware against door during wash</p>	<p>Tall utensils may be placed in the upper rack bumping against inner door during wash cycle.</p>
<p><b>A white film on glassware, dishware and the interior</b></p>	<p>This problem is likely caused by a low quality phosphate-free dishwasher detergent</p>	<p>To remove the white film, run your dishes through a dishwasher cycle with citric acid. Use a WD3500 citric acid kit found online. Otherwise, use Lemi Shine (WX10X10019) found at your local grocery store.</p> <p>Pour the citric acid in the detergent cup and open the dishwasher door. Place the filmed but otherwise clean glassware and dishware in the dishwasher. Leave silverware and other items out of the dishwasher. Turn the dishwasher on and run through a complete cycle without detergent. The dishes, dishware, and dishwasher should come out film-free.</p> <p>Alternatively, a vinegar rinse may be used. Pour white vinegar into dishwasher just after the detergent is dispensed and let the dishwasher complete its cycle.</p> <p>This may be repeated several times a year as needed.</p> <p>The use of a rinse agent such as <b>Cascade®</b> or <b>Rinse Aid</b> may help minimize a repeat build-up. Also, the use of a highly rated detergent such as Cascade Platinum Pacs will help prevent film build-up.</p>

**Warning**



This content is compiled from multiple sources and is provided for reference purposes only. It may not be complete or fully applicable to all situations. If you are unable to resolve your issue, please contact the product manufacturer or an authorized service provider for official support.

---

Document generated by [ManualsFile](#)

