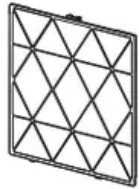


## Package Content

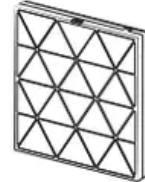
### Accessories



Pre-filter  
1 EA



Deodorization filter<sup>1)</sup>  
1 EA



Dust collecting filter<sup>1)</sup>  
1 EA



User manual  
1 EA



Power adapter  
1 EA

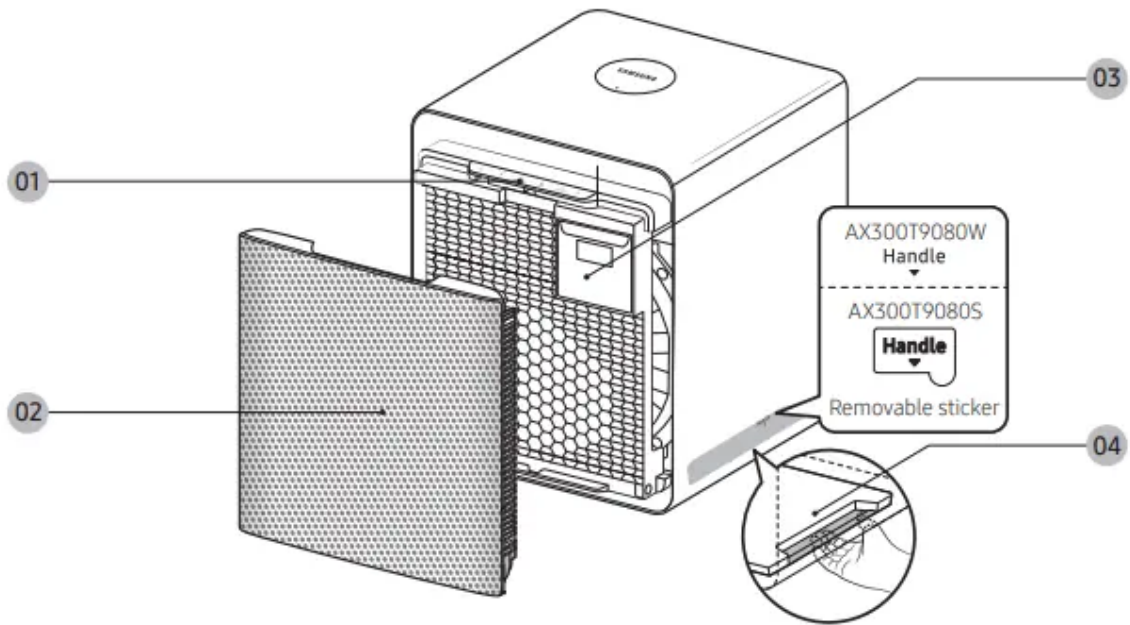
<sup>1)</sup> The deodorization filter and Dust collecting filter are replacement filters. They cannot be used again by washing them with water.

### NOTE

- After replacing a replacement filter with a new one, dispose of the old one in a waste bag as general waste.
- Use only Samsung authorized filters. Use of non-authorized filters may void product warranty.
  - When purchasing a replacement filter, be sure to check whether it is the same type of filter.

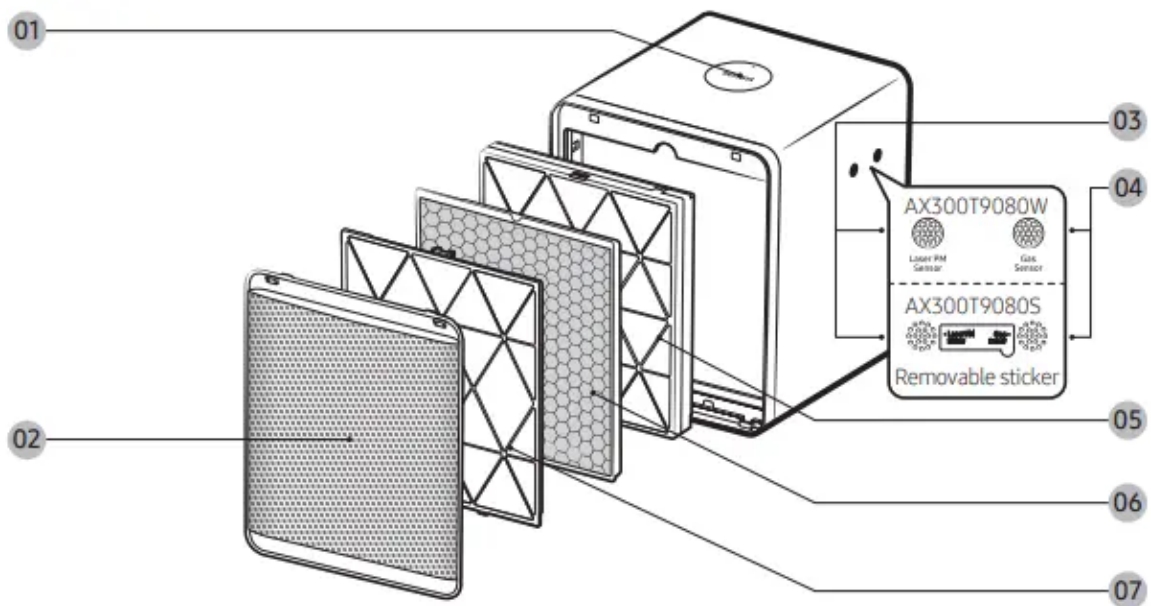
# At a Glance

## Front side



- 01 Buttons
- 02 Air outlet / Front panel
- 03 Display
- 04 Handle (both bottom sides)

## Rear side

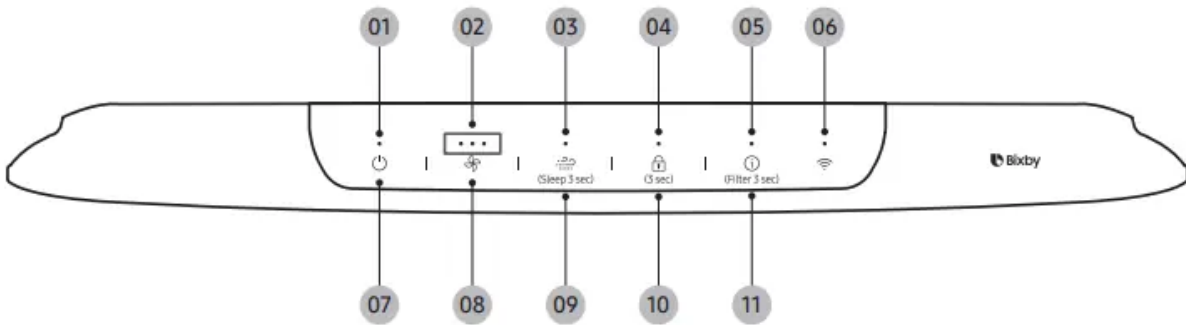


- 01 Module connector
- 02 Air inlet / Rear panel



- 03 Laser PM sensor
- 04 Gas sensor
- 05 Dust collecting filter
- 06 Deodorization filter
- 07 Pre-filter

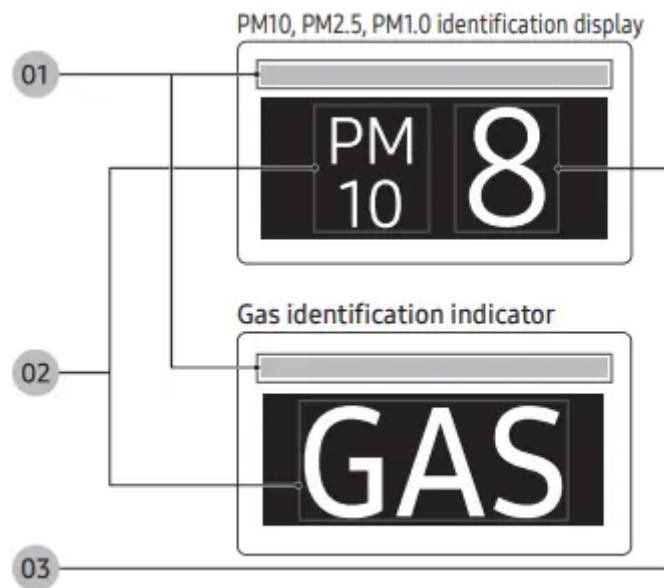
## Buttons



- 01 Power indicator
- 02 Fan speed indicator
- 03 Wind-free mode indicator
- 04 Lock mode indicator
- 05 Filter replacement indicator
- 06 Wi-Fi function indicator
- 07 Power button
- 08 Fan speed button
- 09 Wind-free mode / Sleep mode button
- 10 Lock button
- 11 Air quality / Filter reset button

Bixby is the name of a Samsung AI solution and allows you to control the product with voice. To use the voice recognition function, you must connect the SmartThings app on your smartphone to the product. If the product does not support voice recognition directly, you can only control some functions using Bixby on your Samsung smartphone.

## Display



**01** PM10, PM2.5, PM1.0, GAS cleanliness color display

**02** PM10, PM2.5, PM1.0, GAS status display

**03** PM10, PM2.5, PM1.0 concentration display

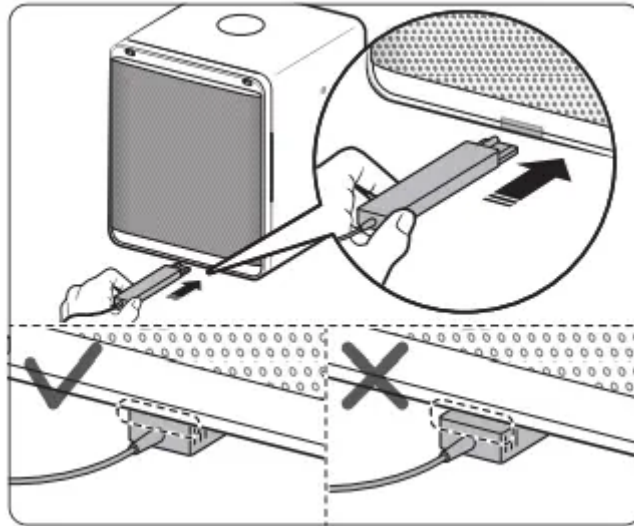
### NOTE

- PM10: Dust in the air with a diameter of 10  $\mu\text{m}$  or less
  - Fine particles with about 1/5 of the diameter of a human hair
- PM2.5: Dust in the air with a diameter of 2.5  $\mu\text{m}$  or less
  - Fine particles with about 1/20 of the diameter of a human hair
- PM1.0: Dust in the air with a diameter of 1.0  $\mu\text{m}$  or less
  - Fine particles with about 1/50 of the diameter of a human hair

\* Diameter of a human hair: 50–70  $\mu\text{m}$

### Connecting the power adapter

Before using the air purifier, connect the power adapter to the product.



Check the vertical direction of the power adapter, and then connect it to the port on the bottom rear of the product.

- Slide the power adapter all the way in until it clicks into place.

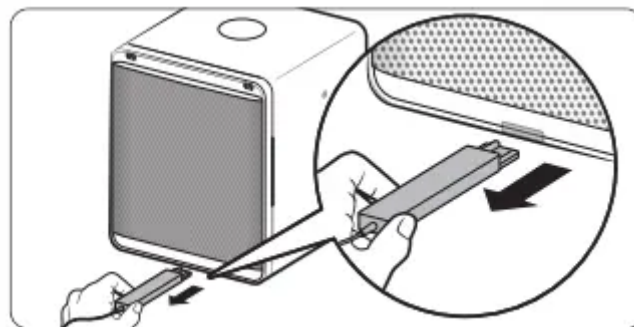
#### **NOTE**

- The product will not work if you do not slide the power adapter all the way in.

#### **Caution**

- Make sure that no damage is caused to the adapter.
- Do not use a damaged adapter. Follow instructions to avoid electric shock or fire.

#### **Disconnecting the power adapter**



Disconnect the power adapter from the product as shown in the figure.

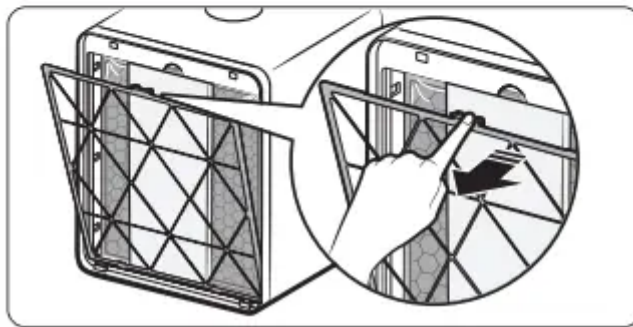
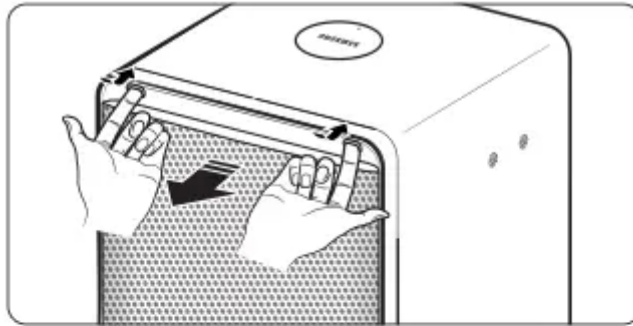
- Before combining or decombining products, be sure to disconnect their power adapters.

#### **Caution**

- Do not pull on the power adapter cord.

## Removing the filters

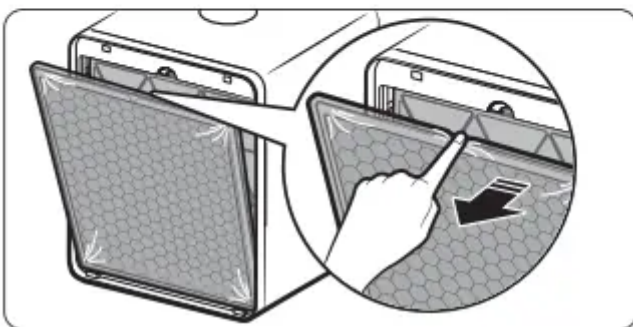
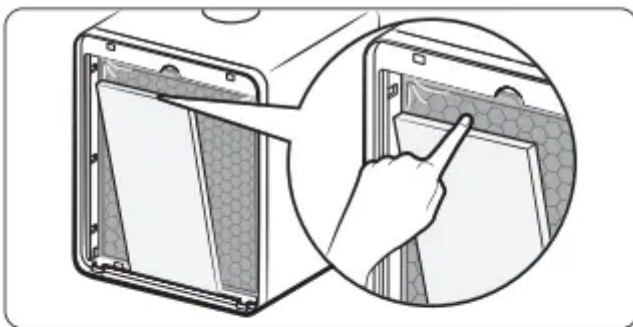
When using a replacement filter for the first time or replacing it with a new one, be sure to remove the vinyl packaging.



**STEP 1** Open the rear panel.

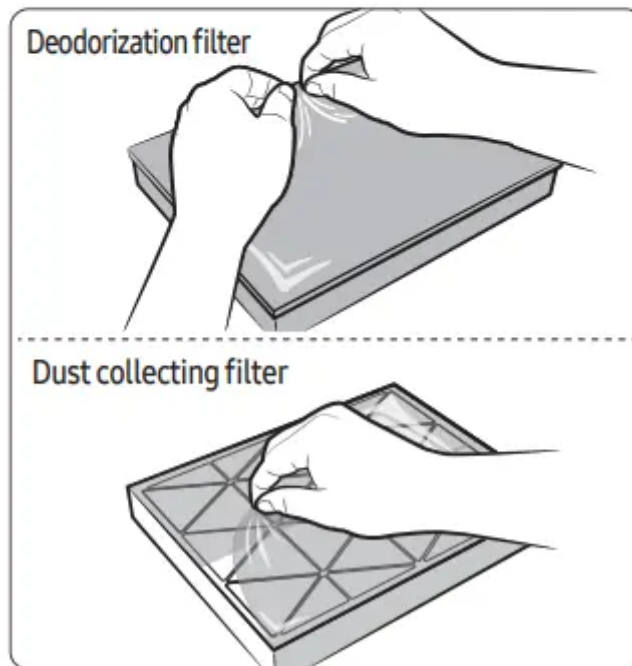
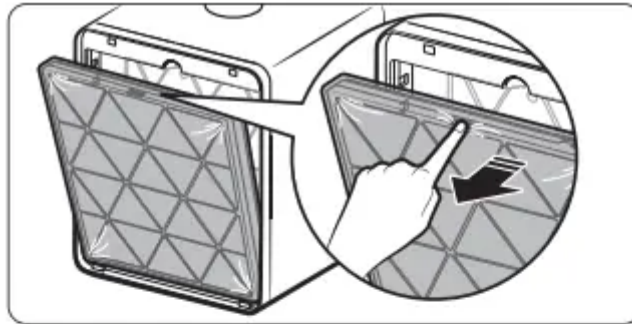
- Put your fingers in both grooves at the top of the rear panel, and then pull it forward.

**STEP 2** Remove the pre-filter.



**STEP 3** Remove and discard the protective foam.

**STEP 4** Remove the deodorization filter.

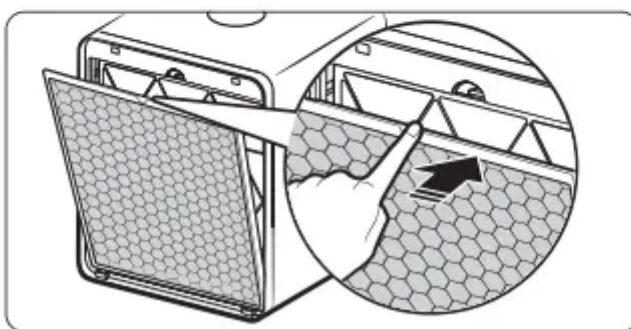
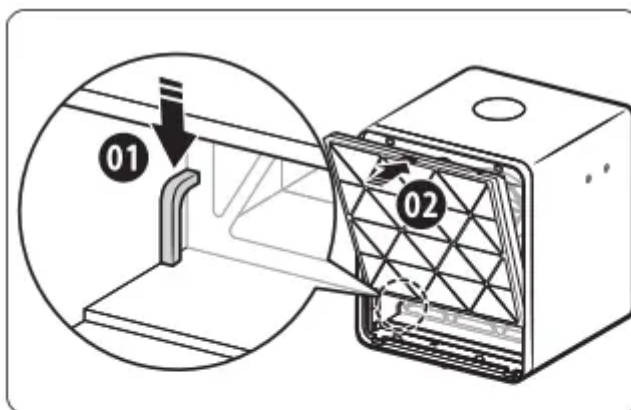


**STEP 5** Remove the dust collecting filter.

**STEP 6** Remove the vinyl packaging from the deodorization filter and the dust collecting filter.

- And also, remove the black cloth inside the vinyl packaging of the deodorization filter.

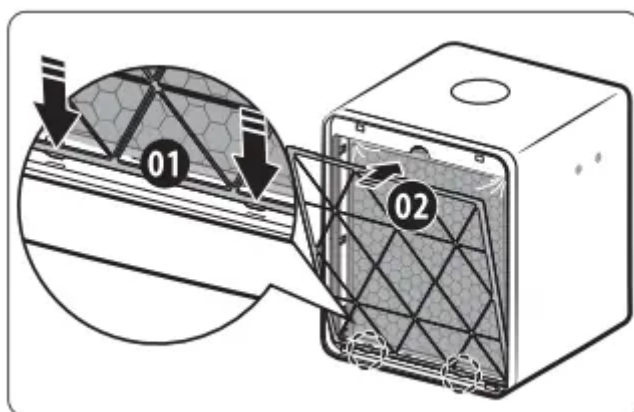
## Assembling the filters



**STEP 1** Insert the dust collecting filter.

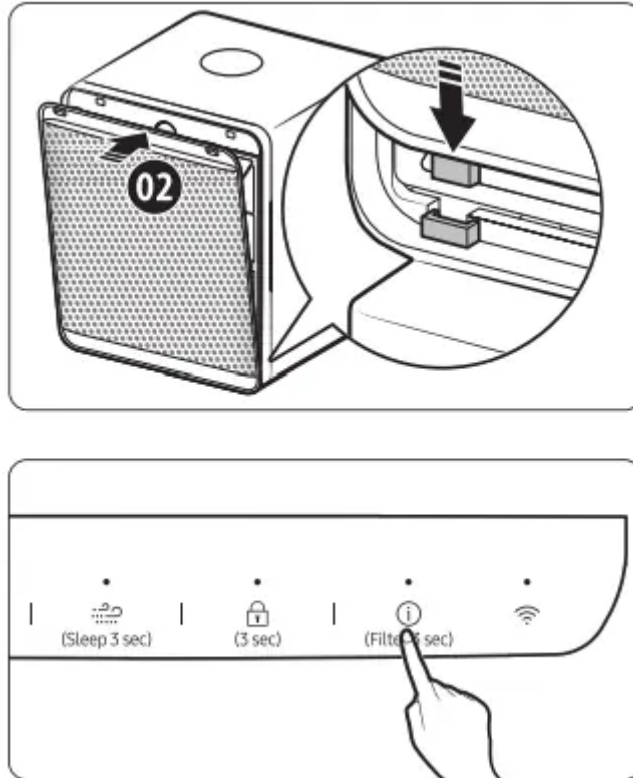
- Let the filters sit inside the grooves at the bottom.
- Check direction of the filters before inserting.

**STEP 2** Insert the deodorization filter.



**STEP 3** Insert the pre-filter.


- Insert the hooks on the filter into the grooves on the bottom of the product, then slightly push against the unit.



**STEP 5** Close the rear panel.

- Insert the hook on the panel first into the groove at the bottom of the unit, then slightly push until it clicks.

**STEP 6** After replacing the filters, reset the filter alarm.

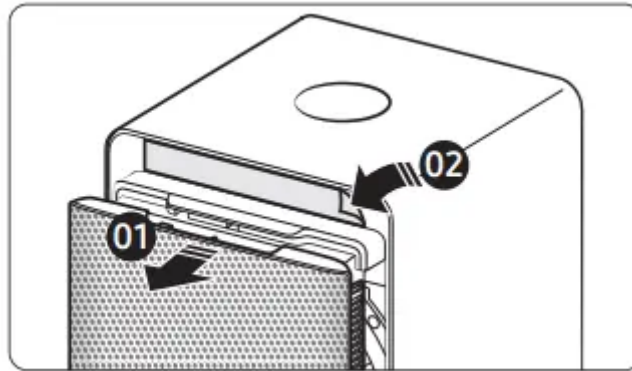
- Press and hold the  [Filter 3 sec] button for 3 seconds or more.

**NOTE**

- When the filters need to be replaced, filter alarm lights up in red with beeping sound. In case of filter replacement, replace the filters with new ones, then reset the filter replacement reminder.
- When the filters are saturated with surrounding odors and thus smell, replace them with new ones, and then reset the filter replacement reminder.

**NOTE**

- Keep the windows and doors closed whenever you can while the product is running.
  - Ventilate the air regularly to avoid high concentration of carbon dioxide when you keep the room enclosed for a duration of time. When the filters have a weak smell, regular ventilation also reduces the smell.
- Remove the protective vinyl that covers the buttons after the product is turned on and the front panel is fully opened.



### **Using the filters**

- If you operate the product without the filters, the purification effect is lowered, and the air flow sound may be abnormally loud during operation.
- You may notice a subtle odor from fresh filters when using your newly purchased air purifier for the first time.
  - which will disappear naturally in about a day.
- The filter cleaning and replacement cycles may vary depending on the operating environment.
- The filter replacement reminder takes into account the product uptime and lights up when the filters reach the maximum operation time. The frequency of filter cleaning and replacement may vary depending on the operating environment.
- The replacement cycles of the deodorization filter and the dust collecting filter are from 6 months to 1 year when the product operates 24 hours every day. Filter lifespan is related to the air quality in the operating environment. The more polluted the indoor air, the shorter the filter lifespan.
- The Filter replacement reminder will light up when the filter lifespan has been reached.
  - User should replace filters, even if the replacement reminder did not light up, if they are too dirty, causing fan to slow down, or have picked up a smell that will not go away.
- If you operate the product after it has been unused for 2 weeks or more, or if there is a smell, run a cleaning operation by running the product in a well-ventilated space at the High fan speed for 4 hours or more, or dry the filters in the sunlight for 4 hours or more. This can help remove odors from the filters.
- If the filters smell when you operate the product, it means that it is time to replace them because they are saturated with surrounding odors. Replace the filters with new ones.
  - The filters are a consumable part, and will not be replaced free of charge even during the free warranty period.

- To purchase a new replacement filters, contact a local Samsung Service Center or visit [www.samsung.com](http://www.samsung.com) on the web.

### **Deodorization filter**

The deodorization filter effectively removes daily odors such as bathroom and food odors.

- In a room with persisting odors, using the product after ventilating the room first allows more effective odor control.
  - Using air purifier while cooking food with strong odor, it may cause smell from deodorization filter, or reduced filter lifespan and shortened replacement terms.
- Carbon monoxide (CO) is a major harmful gas that cannot be removed by the deodorization filter and is usually introduced from outside.
- Do not wash deodorization filter while still in the Air Purifier. Do not place Air Purifier in water or in an area where water could spill on the unit.

### **Dust collecting filter**

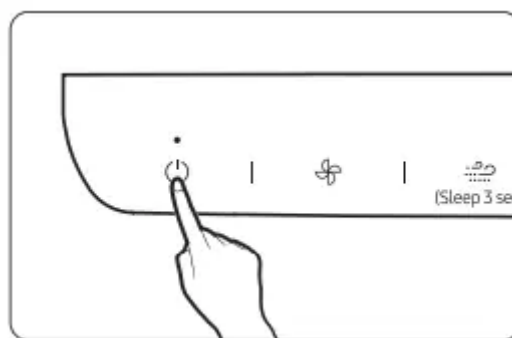
The dust collecting filter removes fine dust, cigarette smoke particles, and more from the air.

- Do not wash dust collecting filter while still in the Air Purifier. Do not place Air Purifier in water or in an area where water could spill on the unit

## **Operation Features**

If you hear a chime sound when you connect the power cord, it means that the power is normally connected.

### **Turning the power on/off**



- Press the Power button. The air purifier turns on with a notification sound and automatically begins operation.
  - Sensor preparation begins upon startup with a display indication and continues for 12 seconds. The air quality is then indicated by color and the concentration level.

- Cleanliness color indicator: PM10, PM2.5, PM1.0, GAS Concentration display: PM10, PM2.5, PM1.0

### Sensor loading display

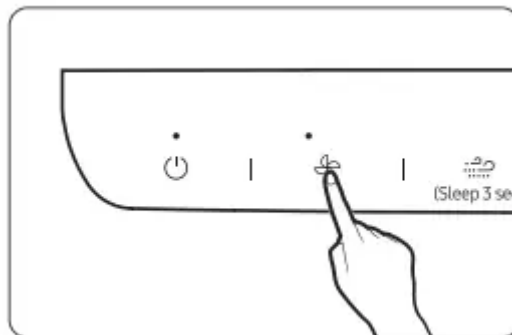


- The product operates with the front panel being open about 30 mm. However, when you turn on the power for only the first time after connecting the power cord, the front panel is opened about 40 mm. Then the front panel is closed by about 10 mm and the product starts to operate.
- When you turn off the power and turn it back on, the product operates at the last fan speed you used.

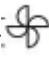
### NOTE

- When the air quality level remains the same for a specific period of time during operation, All indicators and displays except for the cleanliness color indicators turn off and the product enters the Energy saving mode. (This does not apply when using the product in Sleep mode.)

### Controlling the fan speed



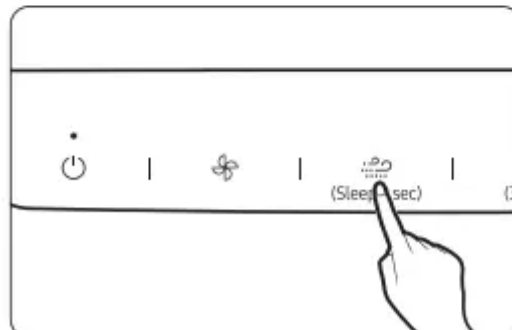
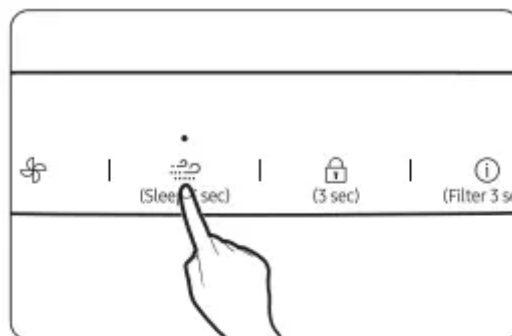
### Use the button to select the intensity of air flow to purify the indoor air.

- Press the [  ] button to select the fan speed you want.
  - Each time you press the button, the fan speed changes in the order of Low → Medium → High → Auto → Low.
- In Auto mode, the fan speed is automatically adjusted to the particle and gas pollution levels around it to keep the room clean.
  - When the product operates in the Auto mode for a certain period of time and the indoor air becomes clean, the front panel comes back into the product's body and the operation mode is switched to the "Auto + Energy saving" mode.

- The Energy saving mode is automatically released when the indoor air becomes bad , or you can cancel it by selecting a fan speed manually.
- Fan speed indications

Low	•
Medium	• •
High	• • •
Auto	• • • → • • • → • • • → • • •

## Wind-Free mode



Use the Wind-Free mode to purify the air with a gentle wind. When you start the Wind-Free mode, the front panel comes back into the product's body.



- If you cancel the Wind-Free mode while it is running, the product operates in the previous mode.

## Cancel


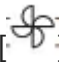
- Press the [  (Sleep 3 sec) ] or [  ] button.

## Sleep mode

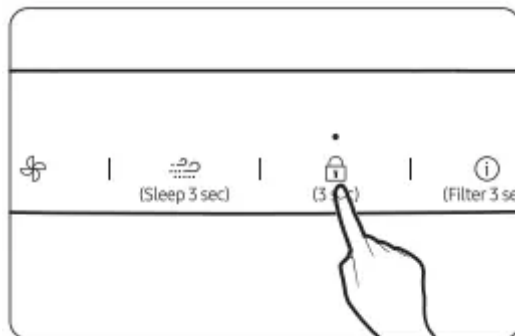
Sleep mode provides a clean, quiet and comfortable room for a good night's sleep.

- Press and hold the [  (Sleep 3 sec) ] button for 3 seconds or more to operate the product in the Sleep mode.
- Press and hold the [  (Sleep 3 sec) ] button for 3 seconds or more to turn the Sleep mode on or off.
- In the Sleep mode, the front panel is closed, the front display is turned off, and only the power indicator lights up.
- Changing the fan speed when Sleep mode has been active for 10 seconds or more will cancel the mode and the sensor loading display will appear. (See 'Sensor loading display' on page 16.)


## Cancel

Press and hold the [  (Sleep 3 sec) ] button for 3 seconds or more, or press the [  ] button.


## Lock



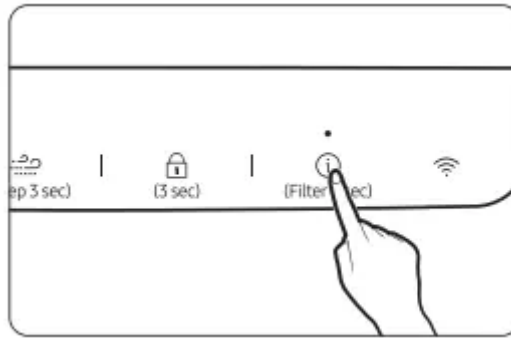
Use this feature to lock all buttons and prevent unintended button operation, especially by children.

- Press and hold the [  (3 sec) ] button for more than 3 seconds. A "Ding" sound is emitted, and all buttons are locked.
- All buttons become inaccessible while Lock feature is on.



## Cancel

- Press and hold the [  (3 sec) ] button for 3 seconds or more. The feature is released after a beep.

## Clearing the filter replacement reminder



Use the Filter Reset function to reset the filter replacement reminder after replacing the deodorization filter or the dust collecting filters. The product automatically tells you when to replace them.

- If you hear a beep and the filter replacement indicator lights up in red while the product is running, replace the replacement filters with new ones. Then press and hold the  [Filter 3 sec] button for 3 seconds or more to reset the filter replacement reminder. A "D-D-Ring" sound is emitted, and the filter replacement indicator blinks twice and disappears.
- If filter has been replaced and filter replacement indicator lights up in red, press and hold the  the [Filter 3 sec] for 3 seconds or more to reset the filter replacement reminder.

### Caution

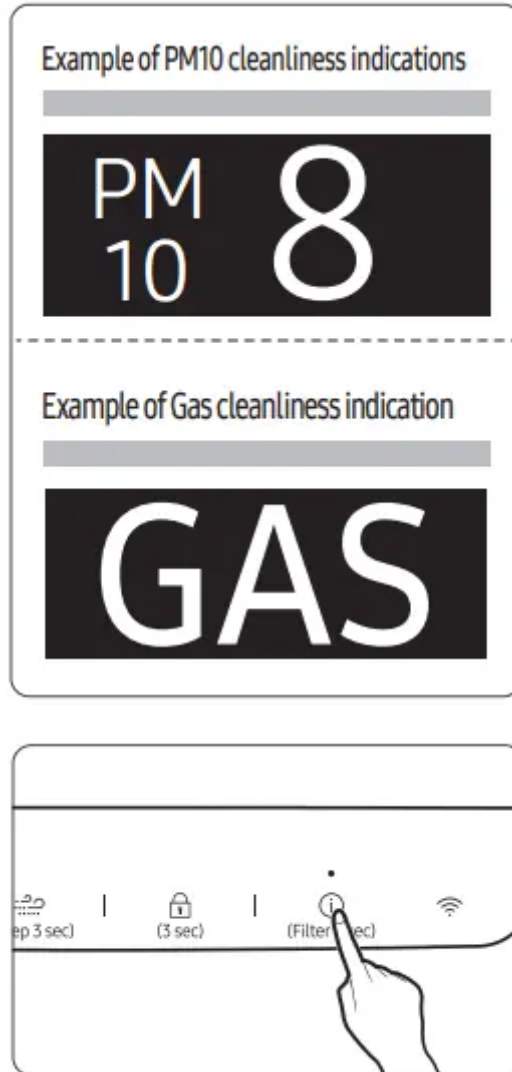
- If you reset the filter replacement reminder when the filters are not replaced with new ones or when no filters are installed in the product, filter replacement reminders may not be displayed normally.




### NOTE

- If the filters need to be replaced, the alert 'Filter' is shown on the display for 10 seconds when the power is turned on

## Checking the air quality



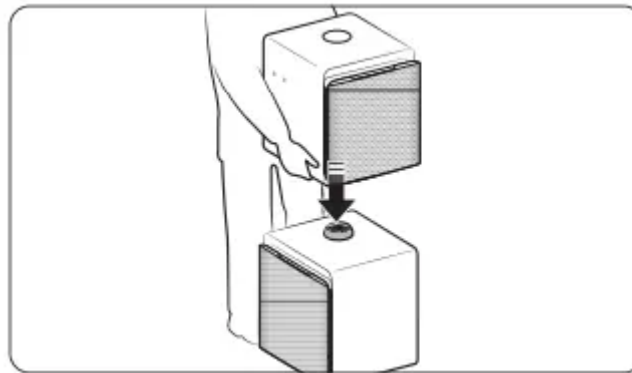
**Use the Air quality function to display the cleanliness color indication for PM10, PM2.5, PM1.0, or GAS and the concentration for PM10, PM2.5, or PM1.0 on the display.**

- By default, both the cleanliness color indicator and the concentration display for PM10, PM2.5, and PM1.0 display the PM10 cleanliness status.
- Each time you press the  [Filter 3 sec] button when the product is running, cleanliness information is displayed in the order of PM10 → PM2.5 → PM1.0 → GAS. PM2.5 cleanliness, PM1.0 cleanliness, and GAS cleanliness are each displayed for 10 seconds if there is no user input, and then PM10 cleanliness automatically continues to be displayed.
  - If PM2.5 cleanliness, PM1.0 cleanliness, or GAS cleanliness is worse than PM10 cleanliness, the worst value is displayed. When they are all the same, PM10 cleanliness is displayed.
- Air quality levels

Pollution level		PM10 concentration ( $\mu\text{m}/\text{m}^3$ )	PM2.5 / PM1.0 concentration ( $\mu\text{m}/\text{m}^3$ )	Gas pollution level
Very poor	Red	151 and over	76 and over	4
Poor	Yellow	81 - 150	36 - 75	3
Moderate	Green	31 - 80	16 - 35	2
Good	Blue	30 and below	15 and below	1

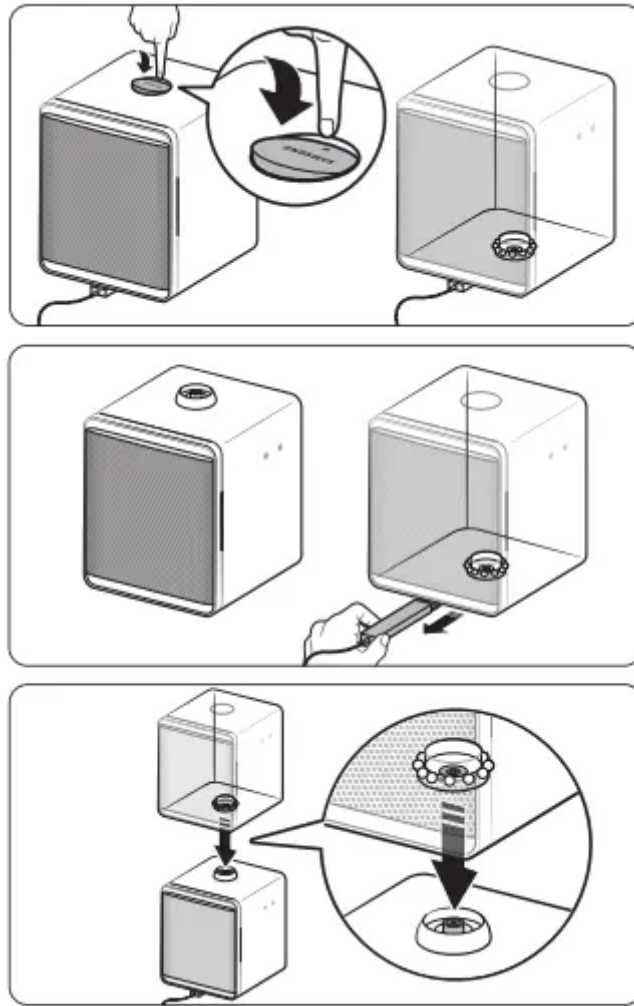
- PM10, PM2.5 and PM1.0 measurement will be displayed in numbers 05 – 999.

## Using Combined Air Purifiers



- When combined, the top product will operate both units together. The bottom unit can only be turned on or off, but operational control is ceded to the top unit.
  - In combined air purifiers, you can operate them using only the top product. The bottom product operates in the same way as the top product. However, when the top product is operating, you can turn just the bottom product on or off.
  - The display lights up only on the top product, and only the power status is visible on the bottom product.
  - You can rotate the air outlet of the product at the top in 360 degrees.
- When combining and decombining products, be sure to turn off their powers and use their handles.
- Some functions may not be supported if this product is combined with a model released previously

## Combining air purifiers



### STEP 1 Open the module connector on the bottom product.

- Push and rotate the module connector on the product that will be located at the bottom.

### STEP 2 Disconnect the power from the top product.

- Disconnect the power adapter from the product that will be located at the top.
  - In combined products, the power is supplied through the bottom product. Keep the disconnected power adapter in a separate place.

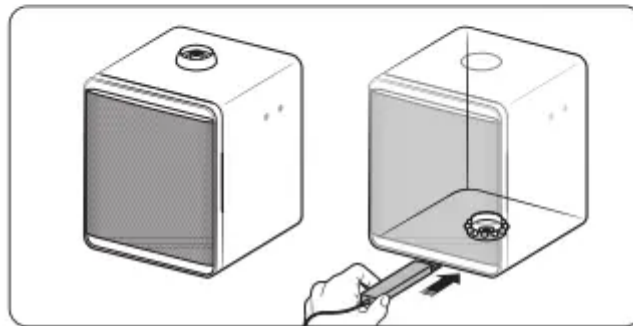
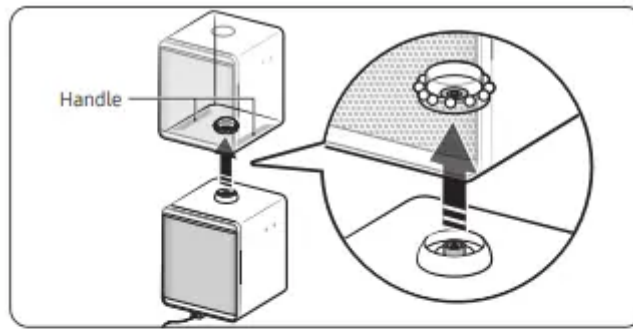
### STEP 3 Combine the top and bottom products.

- Align the product that will be located at the top with the module connector on the top of the product that will be located at the bottom, and assemble both products.

### Caution

- If the products are assembled without being aligned with the module connector, it may cause product falling, product damage, or personal injury.

## Decombining air purifiers



### STEP 1 Remove the top product.

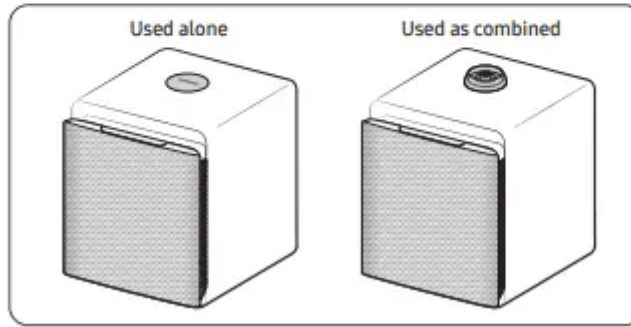
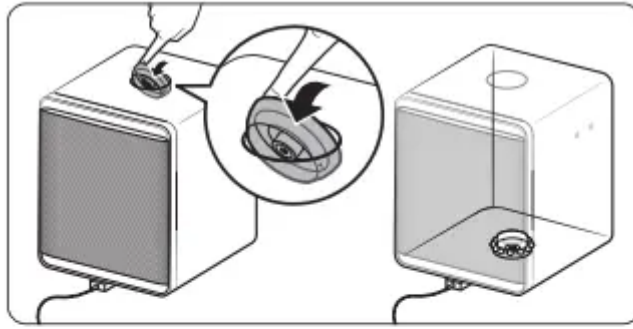
- Hold the bottom handles of the top product and remove it.

### Caution

- Be sure to check whether the bottom product is installed stably.
- When moving the top product, hold its handles and be careful not to drop it.

### STEP 2 Connecting the power to the decombined product.

- Connect the power adapter to the decombined top product.



**STEP 3 Close the module connector on the bottom product.**

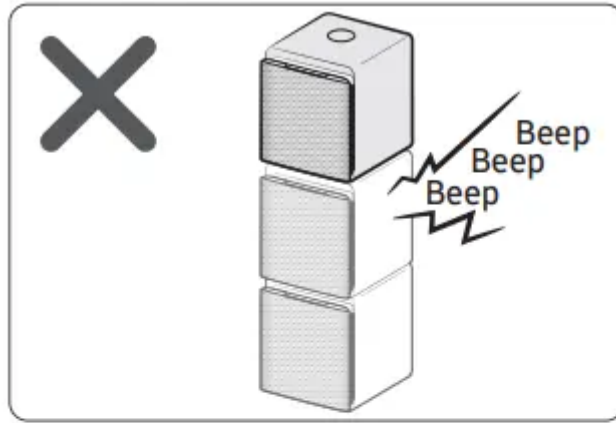
- Rotate the module connector on the top of the bottom product.

**NOTE**

- Before using a product alone, be sure to rotate the module connector so that it is placed at its original position.

**Precautions when using combined air purifiers**

**Caution**

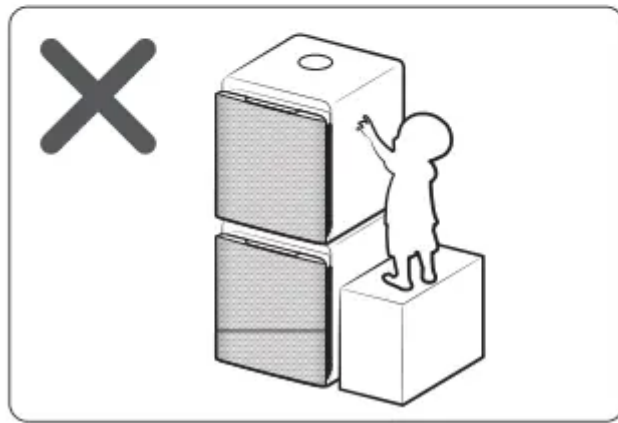
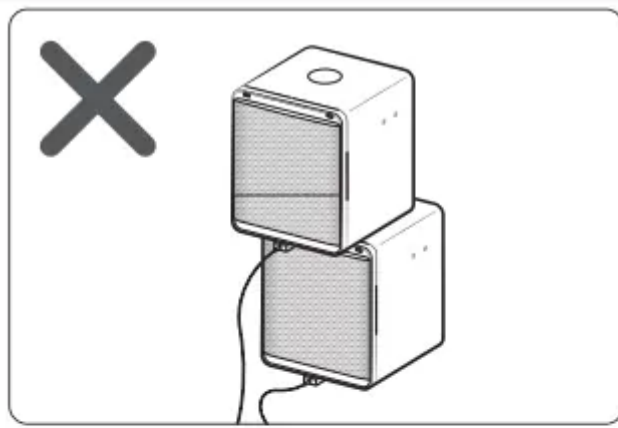


You can combine only two products.

- If three or more products are combined, they do not operate and a "beep beep beep" sound is emitted continuously. The products may fall down and cause product damage or personal injury.

**NOTE**

- If three or more products are combined, the alert "2 Only" is shown on the display.

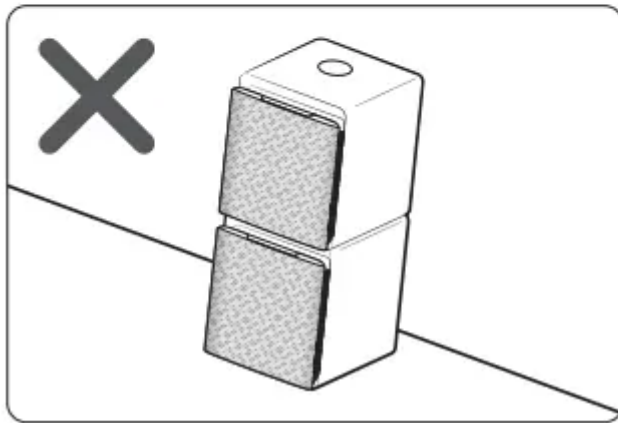
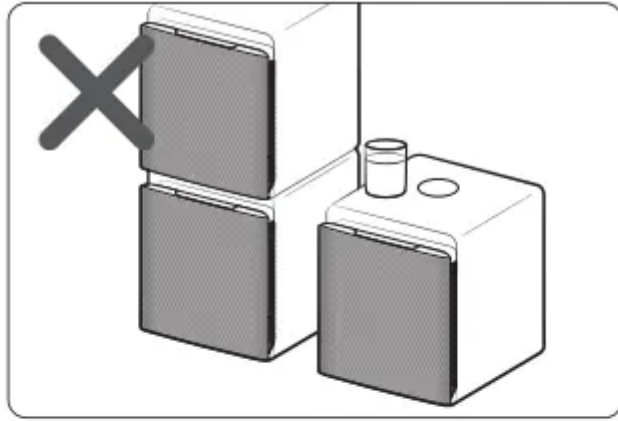


Do not stack products in two stages and apply the power to each one. When stacking products in two stages, be sure to combine them using the module connector.

- Failure to do so may result in product falling or damage.

Do not place an object near the combined products that makes it possible for children to climb onto them.

- Failure to do so may result in product falling or damage, and children may fall and get hurt.

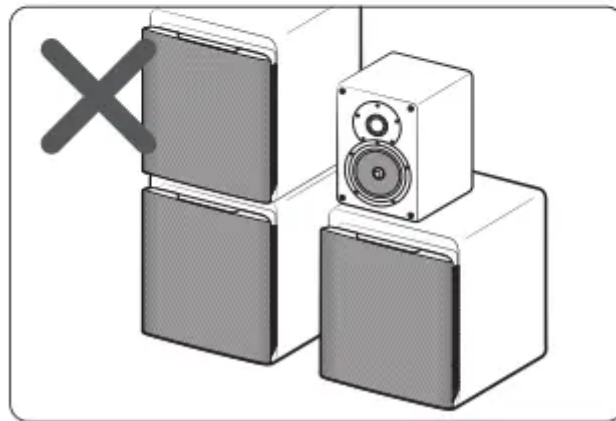
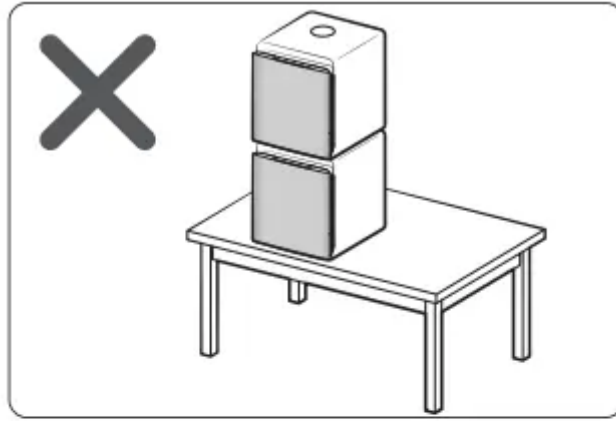


Do not place liquids on the products when each product is used alone or when combined products are used.

- Liquids that enter the product may cause product malfunction and filter contamination.

Do not combine products or use combined products on a floor that is inclined or not flat.

- Even a small impact may cause the product to fall.



Do not combine products or use combined products on a table.

When combining products, be sure to put them on the floor and combine them using the module connector.

- Failure to do so may result in product falling or damage, or injury.

Do not place objects on the products when each product is used alone or when combined products are used.

- Failure to do so may result in product discoloration or deformation due to adhesives and rubbers.

## Cleaning and Maintenance

Be sure to disconnect the power plug from the socket before cleaning the product.

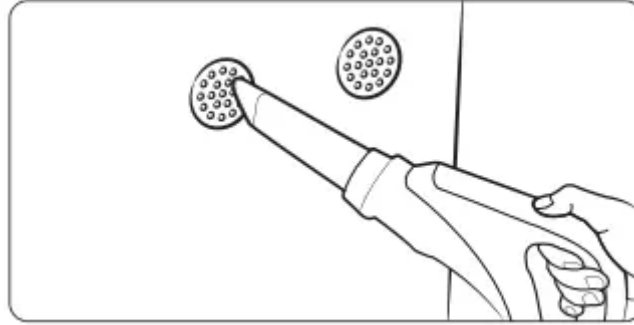
### Cleaning the air purifier exterior

- Dampen a soft cloth with lukewarm water and wring it out, and then wipe the product exterior with it.
- Wipe the grooves on the front and rear panels with a cotton swab.
- If it is too hard to clean the dust from the front or rear panel, remove the panel and wash it with water.

## Caution

- Do not wipe the product with an alkaline detergent.
- Do not wipe the product surface with sulphuric acid, hydrochloric acid, or organic solvents (thinner, kerosene, acetone, etc.). Do not attach a sticker to the product. Failure to do so may result in damage to the product surface.

## Cleaning the sensors

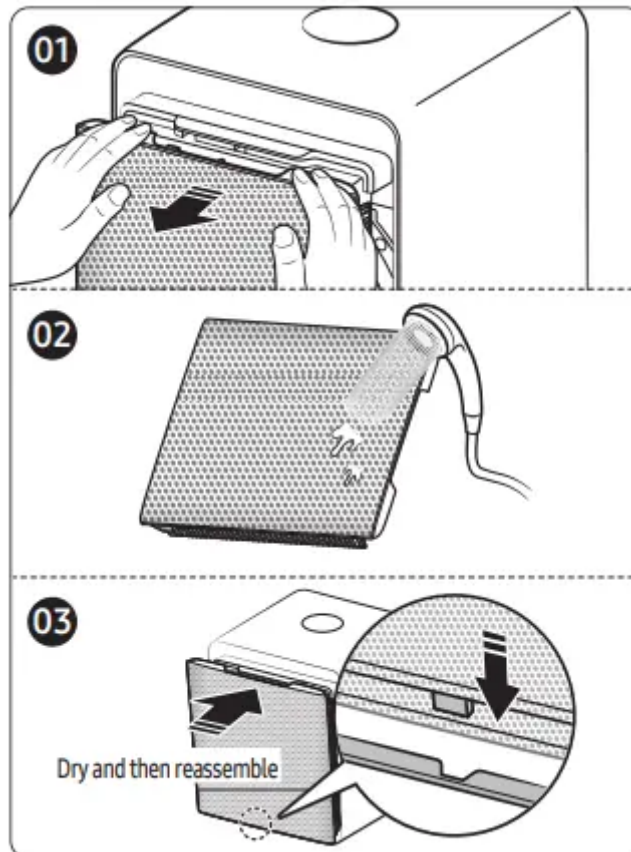


- If there is dust or foreign substance on a sensor, use a vacuum cleaner to clean the sensor and its surrounding.

## Caution

- Do not put any dust into the sensor openings.

## Cleaning and drying the front panel



### **STEP 1 Remove the front panel.**

- Hold and pull the front panel forward until it is removed.
  - If you have difficulty in removing the front panel because it is closed, turn on the power, unplug the power cord while the front panel is open, and then remove the front panel.

### **STEP 2 Clean and dry the front panel.**

- Clean any dirt or foreign substance on the front panel with water or a soft cloth.
- After cleaning with water, thoroughly dry the front panel before reassembling it to the product.

### **STEP 3 Reassemble the front panel.**

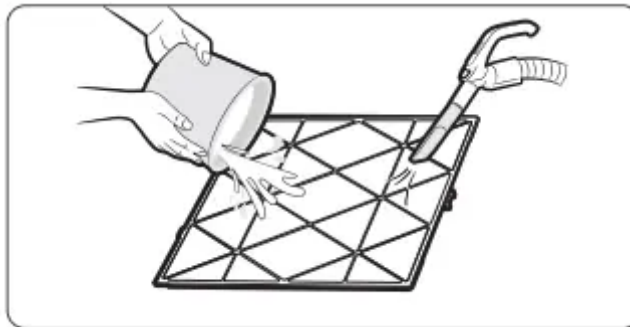
- Insert the hook at the bottom of the front panel into the bottom fixing groove, and then press the top center of the front panel so that it is assembled to the product.
  - If the front panel is open, connect the power cord and turn on the product so that the product operates and the front panel returns to its closed position.

## **Cleaning and drying the filters**

### **NOTE**

- For how to remove or assemble the filters, see pages 11 and 13.

### **Cleaning the pre-filter**

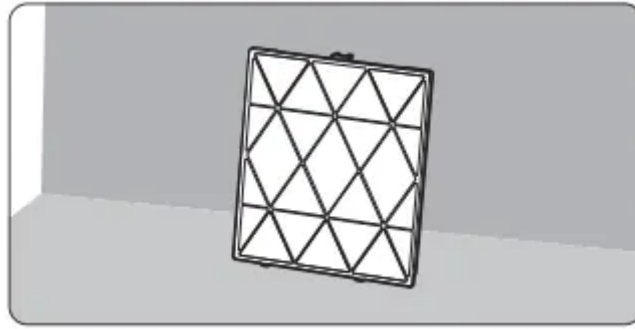


- If you can see dust accumulations, remove large dust first with a vacuum cleaner, and then rinse the filter with lukewarm water.
  - Cleaning interval: 2 weeks (when using the product 24 hours every day)

### **Caution**

- When cleaning the pre-filter, rubbing with a brush or a similar tool may damage the superfine fibres.

### **Drying the filters**

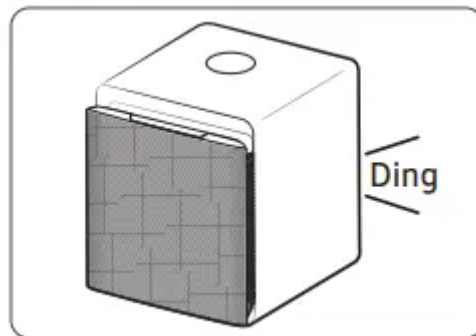


- Keep the filters in the shade until completely dry and away from direct sunlight.

## Before Requesting Service

Check the following before requesting service from the Service Center.

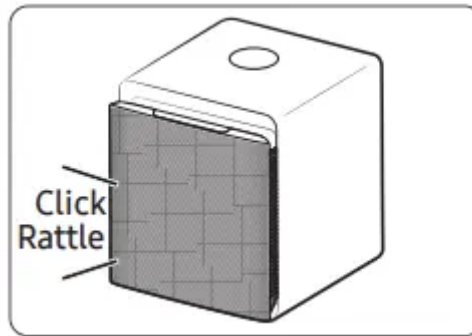
### Operation



### The air purifier does not operate.

- Check the power supply and turn on the air purifier again.
- Make sure that the power plug is plugged in, and then turn on the air purifier again. If it still does not operate, try a different power outlet.
- Make sure that the rear panel is closed properly. If you hear a "Ding" sound when you open and then close the rear panel, it is closed properly.
- Make sure that the front panel is closed properly

## Sound



### The air purifier makes strange noises.

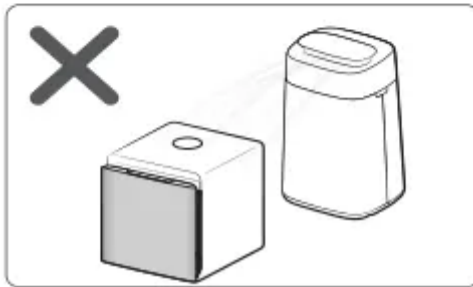
- If you move the product during operation, it may cause noise.
- Turn off the power before moving the product.
- When moving the front panel, it may make a “click” or “rattle” sound depending on the operating environment.
  - These sounds are normal motor noises made during zero calibration when moving the front panel.
- When the product is operating, a sensor operation sound, such as a hissing sound, may be emitted.
- When you sleep or want to rest in a quiet environment, select the Sleep mode.
  - When the product operation is ended, the fan may make a hissing sound while it is stopping.

### The air purifier is noisy when I sleep.

- Check if the fan speed is High. Change the fan speed to Low, or select the Wind-free mode.

## Odors

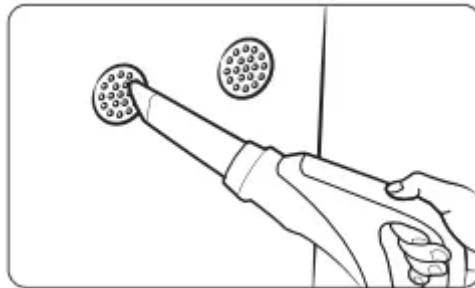
### The air purifier smells strange.



- Because the air purifier sucks and circulates indoor air, if you use it in a closed space for a long time, odors generated in your home can saturate the filters.
  - Remove the pre-filter, deodorization filter, and dust collecting filter, and then smell them nearby to check whether odors are saturated to them. If saturated, wash or replace them. You will be charged for replacing filters regardless of the remaining warranty.
  - Open the doors and windows, and then operate the product for 3 to 4 hours.
  - If you grill fish or meat or cook with oil, operate the product after most odors have been removed by ventilation, if possible.
- If you operate the product after using an air freshener, a diffuser, a scented candle, or a cleaning agent, or making interior decoration, or replacing wallpaper, odors may be saturated to the filters, making them smell.
  - Ventilate until the odors are completely removed, and then operate the product.

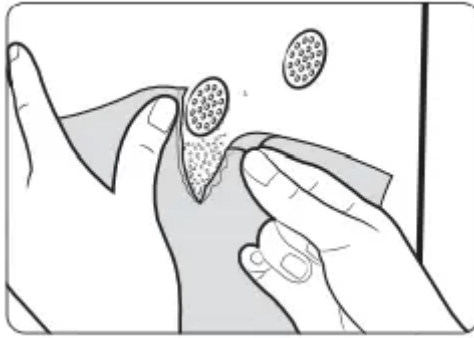
- If you operate the product continuously in a high humidity environment or an environment where moisture supplied by a humidifier is sucked by the filters, they may smell.
  - If the filters smell due to moisture, dry them well in sunlight before using them again.

## Pollution level



### The pollution level indicator stays red. (The pollution level indicator does not seem to work)

- Check the sensors for any foreign substances and clean them if necessary.
- In the winter season, installing and operating the product for the first time shortly after delivery may cause the pollution level to reach  $999 \mu\text{g}/\text{m}^3$  with the indicator illuminated in red. This is a temporary issue that happens if there is a significant temperature change from outdoor exposure causing condensation inside the unit. In this case, do not be alarmed and continue using the product. The status will be cleared within 1 to 2 hours of operation.
- The gas sensor reacts to changes in the indoor gas pollution level due to cooking or ventilation, causing the indicator to illuminate in red. When this happens, ventilate the room for 1 to 2 hours.
- Disconnect the power plug, then put it back after 1 minute. (To reset the sensor)
- If the indicator color stays in red after you have followed all the provided instructions and solutions, it may be a sensor issue. In this case, please contact your local Samsung Service Center.
- When humidifiers, electric pressure cookers, sprayers and such are being used in the same room, the pollution level may be measured as Poor.



The fan speed does not change when the pollution level changes.

- Set the fan speed to Auto. The fan speed does not change automatically when it is set to Low , Medium, or High or when the Wind-Free or Sleep mode is running.

The PM10, PM2.5, PM1.0 levels do not change from Good (05).


- This may happen when the room is properly sealed and the air is clean.
- To check if the sensor is functioning, test it by tearing paper by the sensor and/or rub them to create some dust. This will cause the PM levels to change if the sensor is working properly.
  - Dusting off or cleaning the room may not necessarily cause sensor feedback if the dust particles are bigger than PM10, while they are still filtered and removed from the air.

The PM10, PM2.5, PM1.0 levels the all same.

- When the air is clean, you may not see a difference between the PM10, PM2.5 and PM1.0 levels. To check if the sensor is functioning, test it by tearing paper by the sensor and/or rub them to create some dust. This will cause the PM levels to change if the sensor is working properly.

## Display

The filter replacement indicator is always turned on.

- Replace the filters with new ones, and then press and hold the  [(Filter 3 sec)] button for 3 seconds or more to reset the filter replacement reminder.

Strange indications appear on the display.

- If any of the indications C103, C154, C162, C163 appears, contact a Samsung Service Center.

### Warning

This content is compiled from multiple sources and is provided for reference purposes only. It may not be complete or fully applicable to all situations. If you are unable to resolve your issue, please contact the product manufacturer or an authorized service provider for official support.

---

Document generated by [ManualsFile](#)

