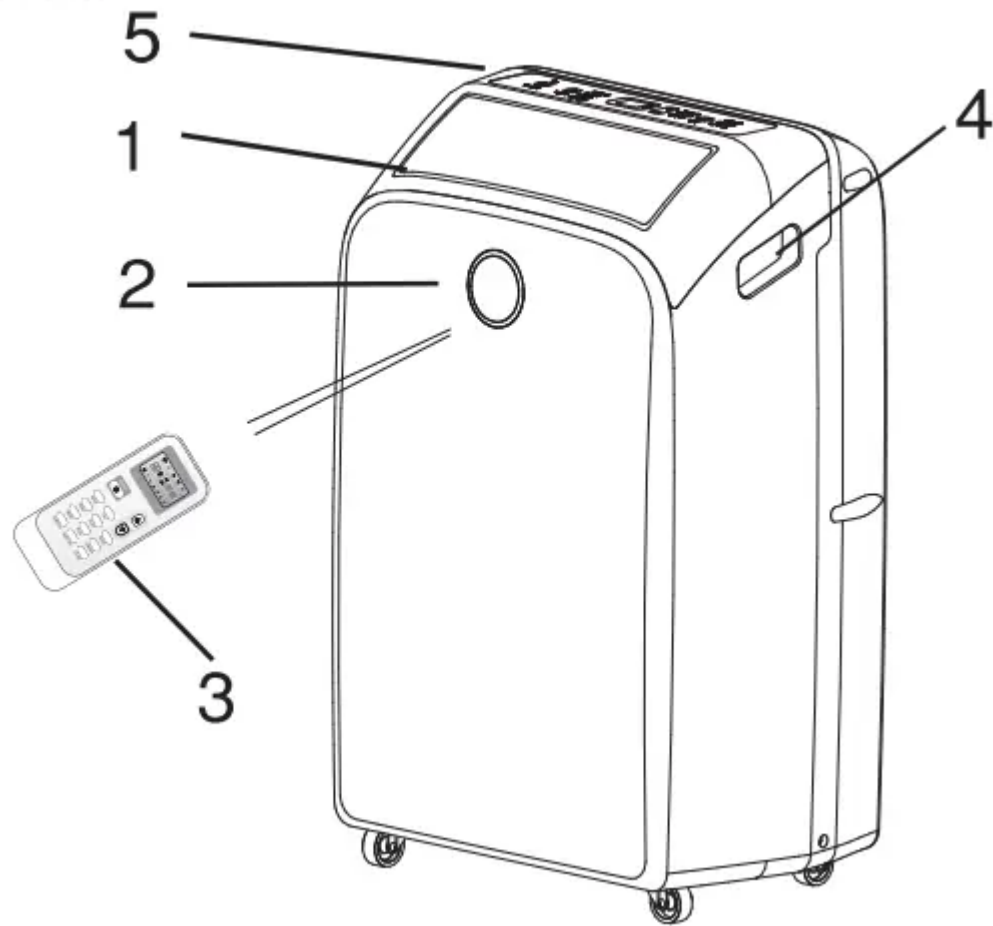


IDENTIFICATION OF PARTS

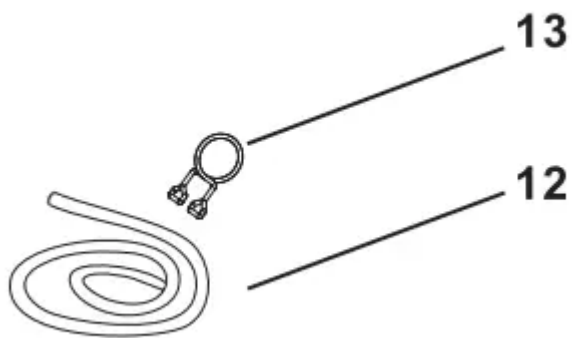
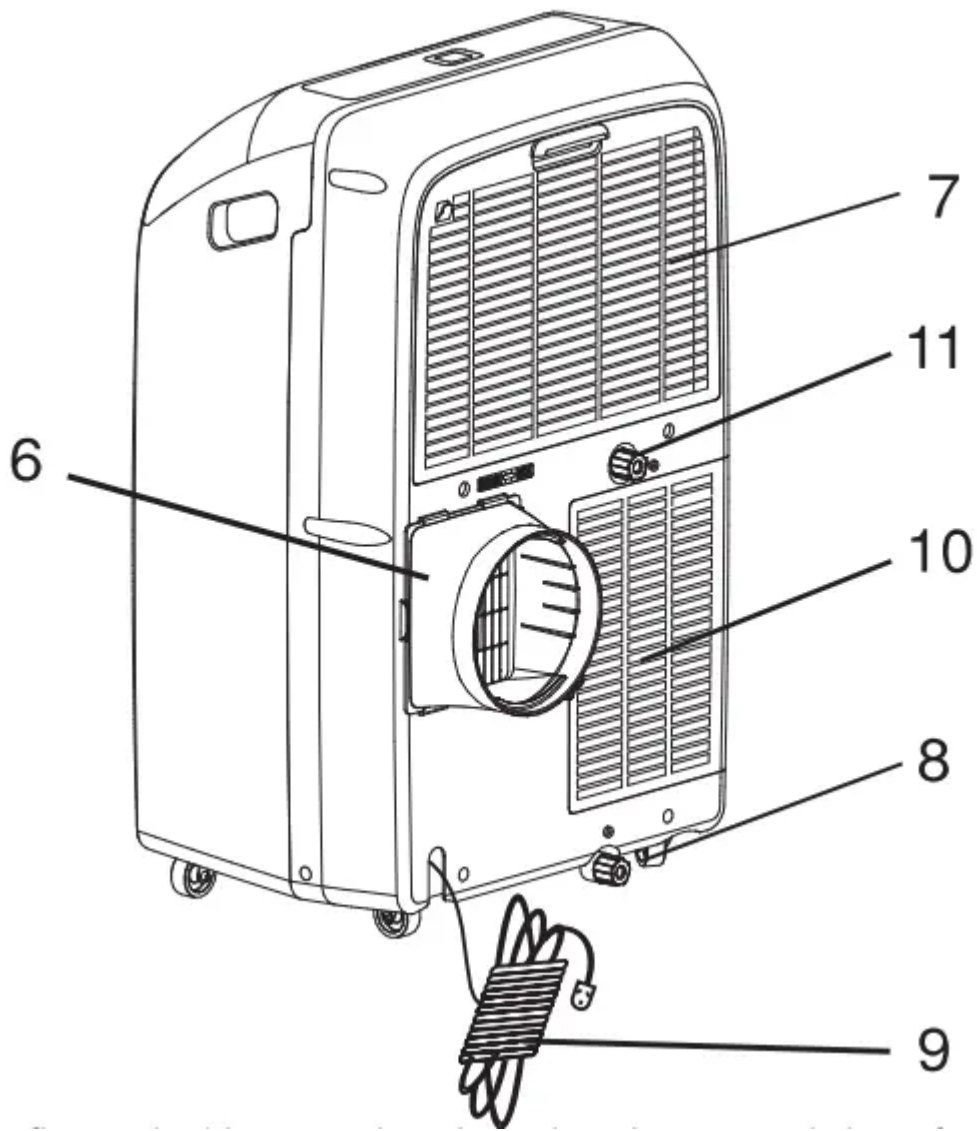
• Front

• Front



• Back





1. Cool air outlet
2. Signal receptor / Front display
3. Remote control

4. Transport handle
5. Control panel
6. Air outlet hose coupling
7. Evaporator air intake
8. Primary drain port
9. Power cord
10. Condenser air intake
11. Secondary drain port
12. Drain hose (Heat pump models)
13. Drain hose clip (Heat pump models)

The figures in this manual are based on the external view of a standard model.

They may differ from that of the air conditioner you have selected.

INSTALLATION REQUIREMENTS

Gather the required tools and parts before starting installation. Read and follow the instructions provided with any tools listed here.

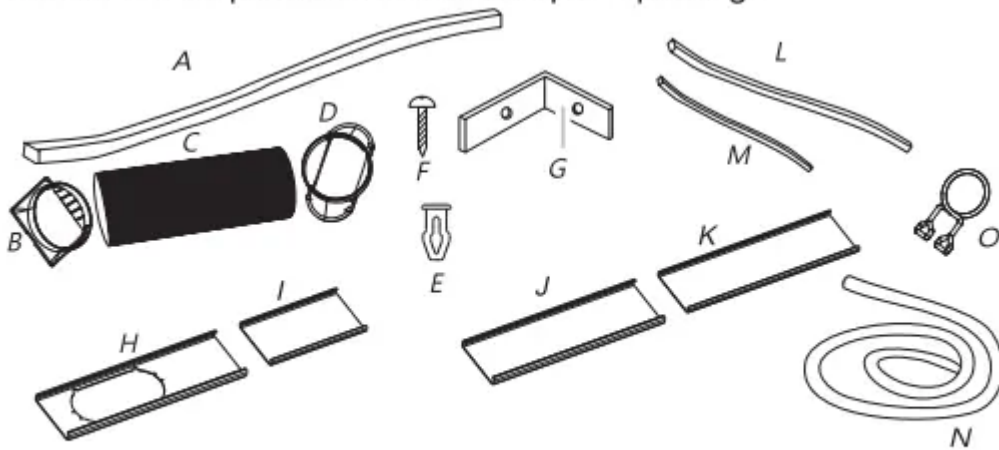
Tools needed

- Phillips screwdriver
- Scissors
- Pencil
- Cordless drill and 5/8" bit

Parts supplied

Check that all parts are included in parts package.

Check that all parts are included in parts package:



F
L
M
C

4

- A. Foam seal
- B. Coupling
- C. Flexible exhaust hose
- D. Window exhaust adapter
- E. Rivets(2)
- F. Screws(4)
- G. Window-lock bracket(2)
- H. Outer slider section with vent
- I. Inner slider section-short
- J. Outerslider section
- K. Inner slider section
- L. Foam seal-long(2)
- M. Foam seal-short(2)
- N. Drain hose (Fleat pump models)
- O. Drain hose clip(Fleat pump models)

Electrical Requirements

WARNING: Electrical Shock Hazard

- Plug into a grounded 3 prong outlet.
- Do not remove ground prong.
- Do not use an adapter.
- Do not use an extension cord.
- Failure to follow these instructions can result in death, fire, or electrical shock.

Recommended Grounding Method

This portable air conditioner must be grounded. This portable air conditioner is equipped with a power supply cord with a three-prong grounding plug. The cord must be plugged into a mating, grounded three-prong outlet, grounded in accordance with all local codes and ordinances. If a mating outlet is not available, it is the customer's responsibility to have a properly grounded three-prong outlet installed by a qualified electrical installer.

It is the customer's responsibility:

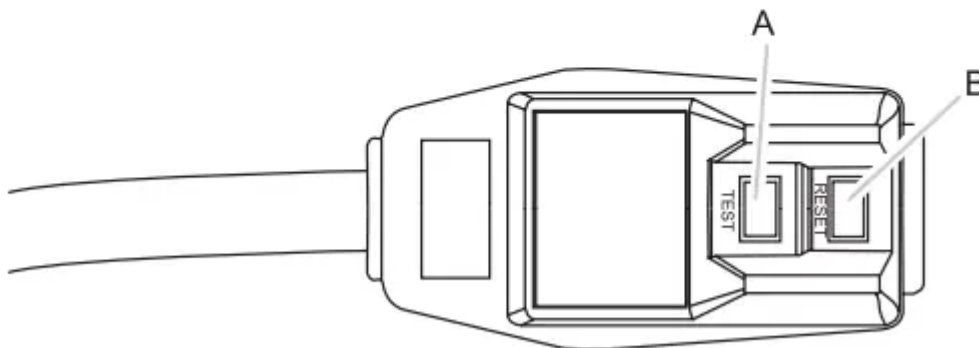
- To contact a qualified electrical installer.
- To assure that the electrical installation is adequate and conforms to the Nation Electrical Code,ANSI/NFPA70-last edition,and all local codes and ordinances.

Wiring requirement

115 V (103.5 min. to 126.5 max.)

15 A time-delay fuse or circuit breaker

Power Supply Cord



A. Test button
B. Reset button

NOTE: Your air conditioner's device may differ from the one shown. This room air conditioner is equipped with a power supply cord required by UL. This power supply cord contains state-of-the-art electronics that sense leakage current. If the cord is crushed, the electronics detect leakage current and power will be disconnected in a fraction of a second.

To test your power supply cord:

1. Plug power supply cord into a grounded 3 prong outlet.
2. Press RESET (on some devices, a green light will turn on).

3. Press TEST (listen for click; Reset button will trip, and on some devices, a green light will turn off).
4. Press and release RESET (listen for click; Reset button will latch, and on some devices, a green light will turn on). The power supply cord is ready for operation.

NOTES:

- The Reset button must be pushed in for proper operation.
- The power supply cord must be replaced if it fails to trip when the test button is pressed or fails to reset.
- Do not use the power supply cord as an off/on switch. The power supply cord is designed as a protective device.
- A damaged power supply cord must be replaced with a new power supply cord obtained from the product manufacturer and must not be repaired.
- The power supply cord contains no user serviceable parts. Opening the tamper-resistant case voids all warranty and performance claims.

Location Requirements

NOTES:

- The flexible exhaust hose allows placement of the air conditioner at least 20" from window or door.
- Confirm you are using the correct size air conditioner for the space to be cooled, per sizing recommendations, below

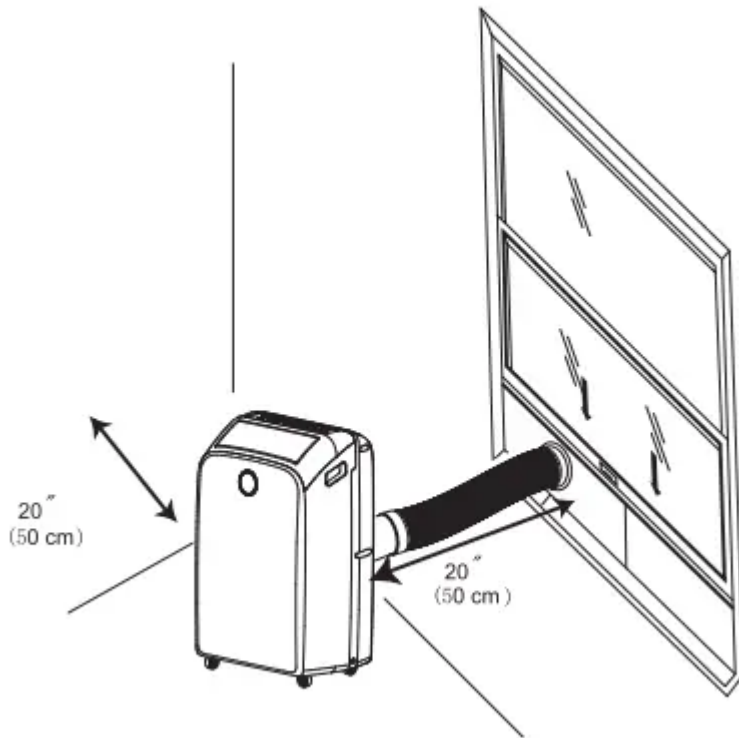
Area to be cooled	Capacity needed(BTUs)
10' x 20' Room	5,000/5,500
Up to a 15' x 20' Room	6,000/6,500
Up to a 20' x 20' Room	7,000/7,500
Up to a 20' x 25' Room	8,000/8,500

NOTES: Adjust BTUs to room use and location

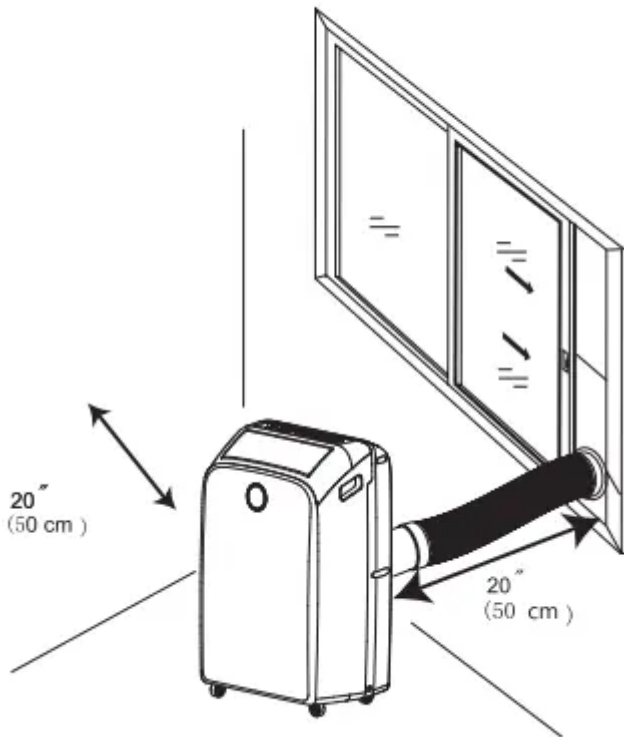
- Shaded room reduce to next smaller size
- Sunny room increase to next larger size
- For kitchens, increase to next larger size

Vertical Sliding Window





Horizontal Sliding Window



NOTES:

- To ensure proper ventilation, keep the required distance from the return air outlet to the wall or other obstacles at least 20in (50 cm).
- Do not block the air outlet.
- Provide easy access to the grounded 3 prong outlet.

Caution: Installation accessories are stored in the top of the carton, and are required for proper cooling performance. Please remove all accessories from packing materials before use.

INSTALLATION INSTRUCTIONS

Unpack the Air Conditioner

WARNING: Excessive Weight Hazard

- Use two or more people to move and install air conditioner.
- Failure to do so can result in back or other injury.

Remove packaging materials

- Remove and recycle packaging materials. Remove tape and glue residue from surfaces before turning on the air conditioner. Rub a small amount of liquid dish soap over the adhesive with your fingers. Wipe with warm water and dry.
- Do not use sharp instruments, rubbing alcohol, flammable fluids, or abrasive cleaners to remove tape or glue. These products can damage the surface of your air conditioner.
- Handle the air conditioner gently
- Keep unit upright at least 2 hours prior to use.

Window Vent Panel And Extensions

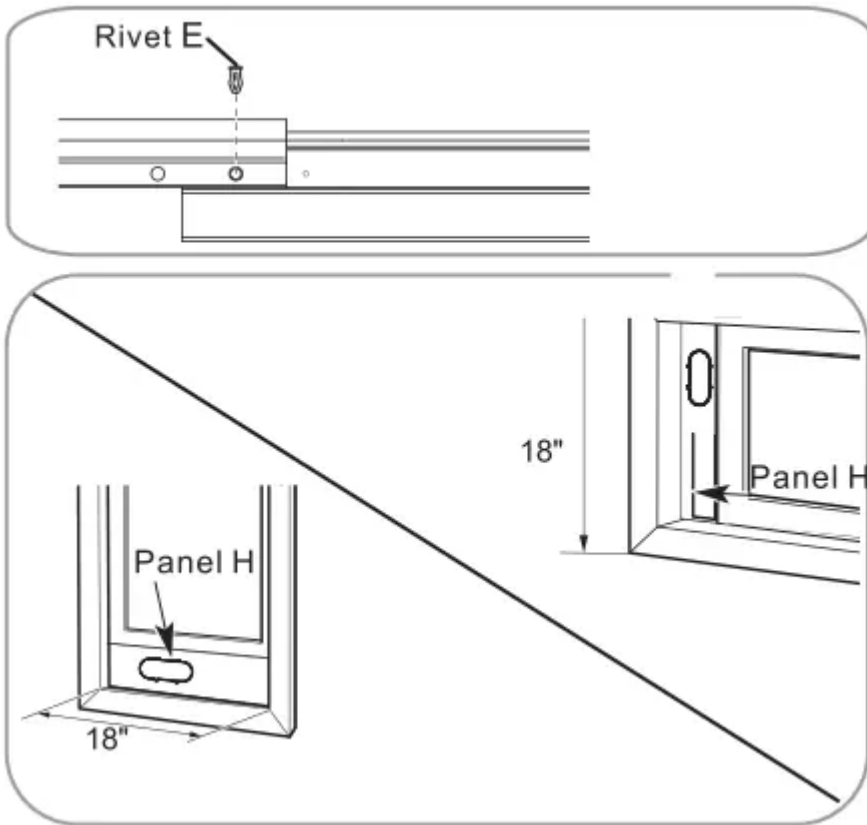
The window installation kit allows you to install the air conditioner in most vertical-sliding windows 18" to 50" wide, or horizontal sliding windows from 18" to 50" high.

Panel Window Length	H 18"	I 9 ¹ / ₁₆ "	J 18"	K 18"	Fig.
18"	✓				a
19" – 26"	✓	✓			b
27" – 34"	✓		✓		c
35" – 50"	✓		✓	✓	d

1. Please check your window length and choose the fit from the above table.

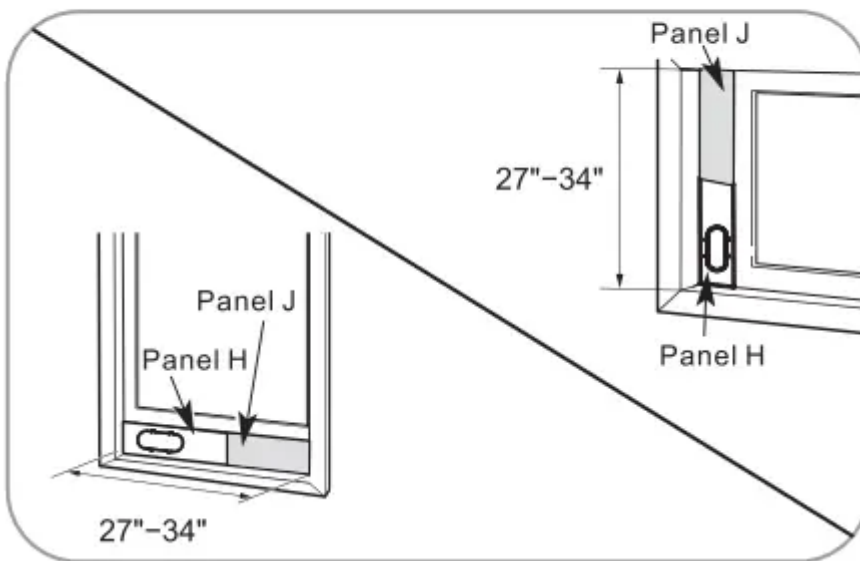


2. If your window length requires more than 2 panels, after adjust the length, please secure the panels with rivets, E.



For an 18" window opening, use the window vent panel by itself.

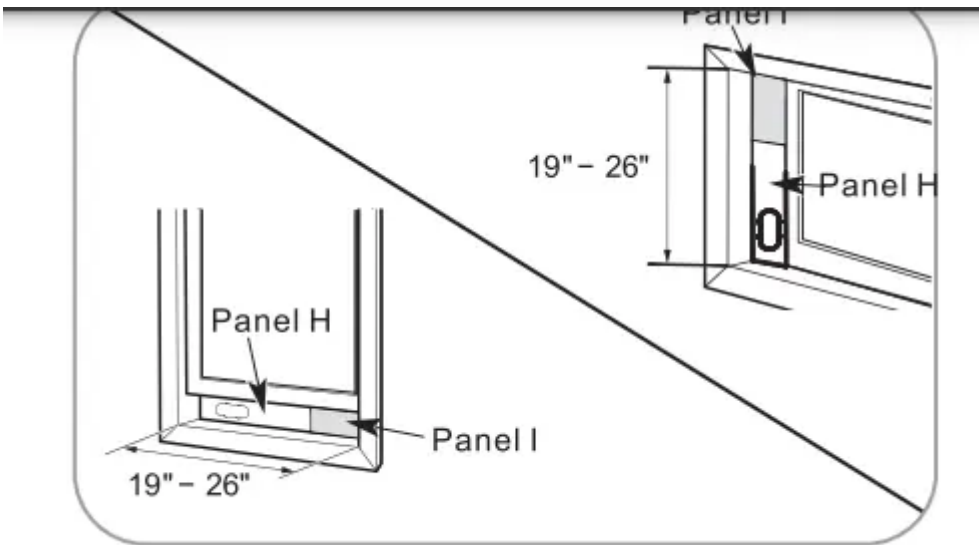
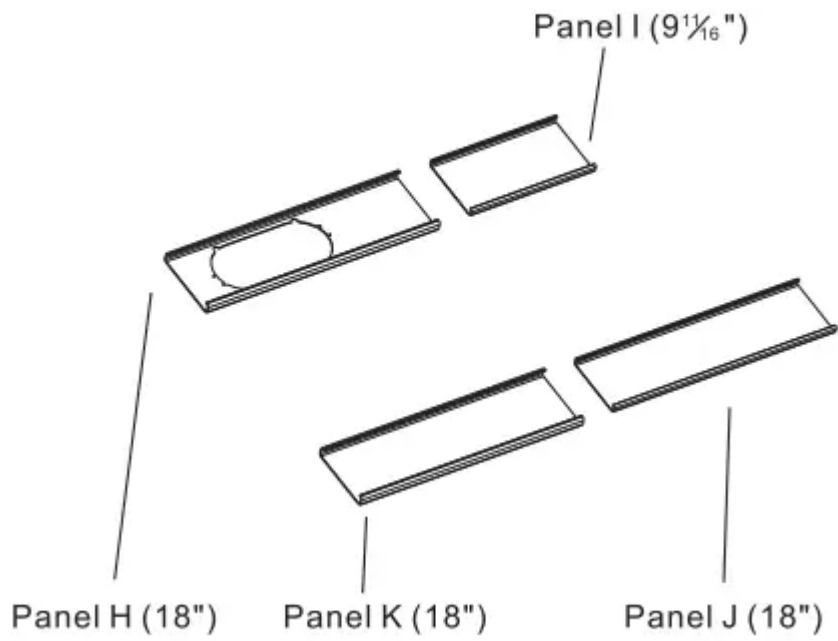
Fig. "a"



For window openings from 27" to 34", use the window vent panel (Panel H) and a extension panel (Panel J).



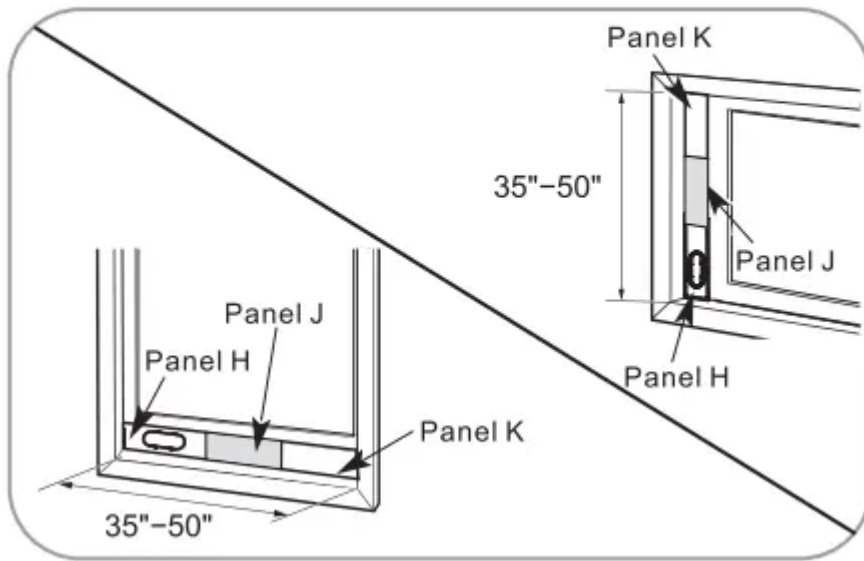
Fig. "c"



For window openings from 19" to 26", use the window vent panel (Panel H) and a extension panel (Panel I).



Fig. "b"



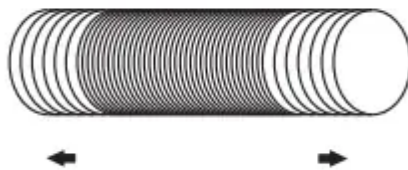
For window openings from 35" to 50", use the window vent panel and two extension panels (Panel K and Panel J)

Fig. "d"

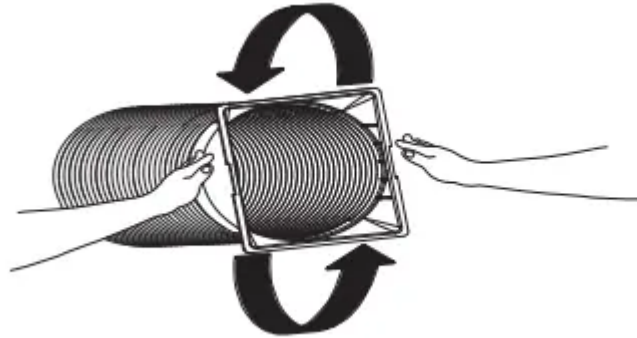
Install Portable Air Conditioner

Install Exhaust Hose and Adapter

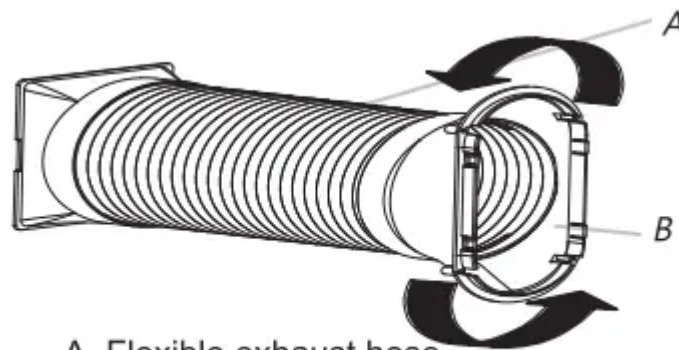
1. Roll the air conditioner to selected location, see "Location Requirements."
2. Pull evenly on the folds to extend both ends of the flexible vent hose.



3. Attach the coupling to the flexible exhaust hose. Turn counter-clockwise until securely locked into place.



4. Attach the window exhaust adapter to the flexible exhaust hose. Turn counter-clockwise until securely locked into place

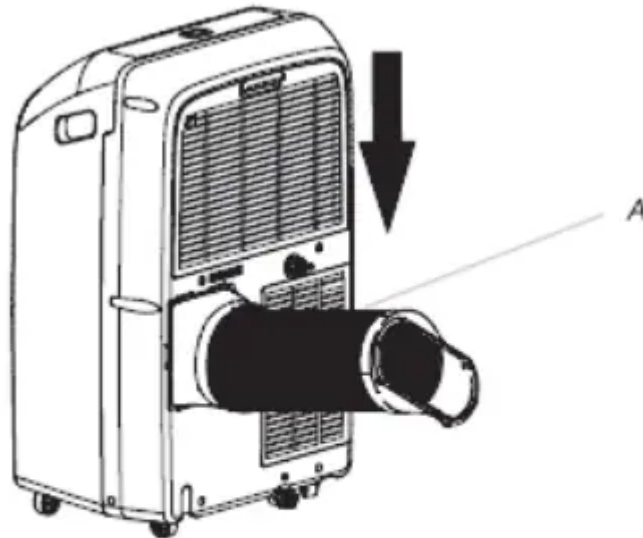


A. Flexible exhaust hose
B. Window exhaust adapter

5. Insert the coupling into the slot on the back of the air conditioner.

6. Slide down to lock the hose into place

◦



A. Flexible exhaust hose

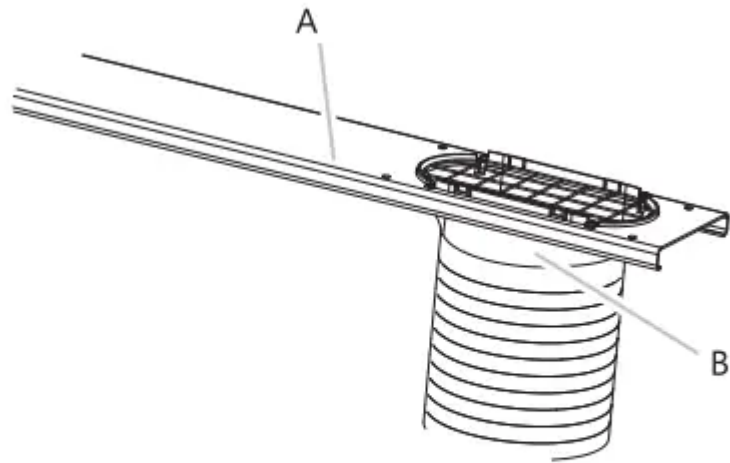
CAUTION: Ensure the coupling is correctly locked in place by trying to move it up and down by hand. If there's any movement of the coupling, then it isn't locked, and won't provide normal cooling performance.

Window Installation

Your window installation kit has been designed to fit most standard vertical and horizontal window applications. Roll the air conditioner to selected location, see "Location Requirements."

1. Attach the window exhaust adapter to the outer slider section (the piece with the large exhaust hole).

◦ **NOTE:** Product must be used with included Duct Window installation kit for effective cooling.

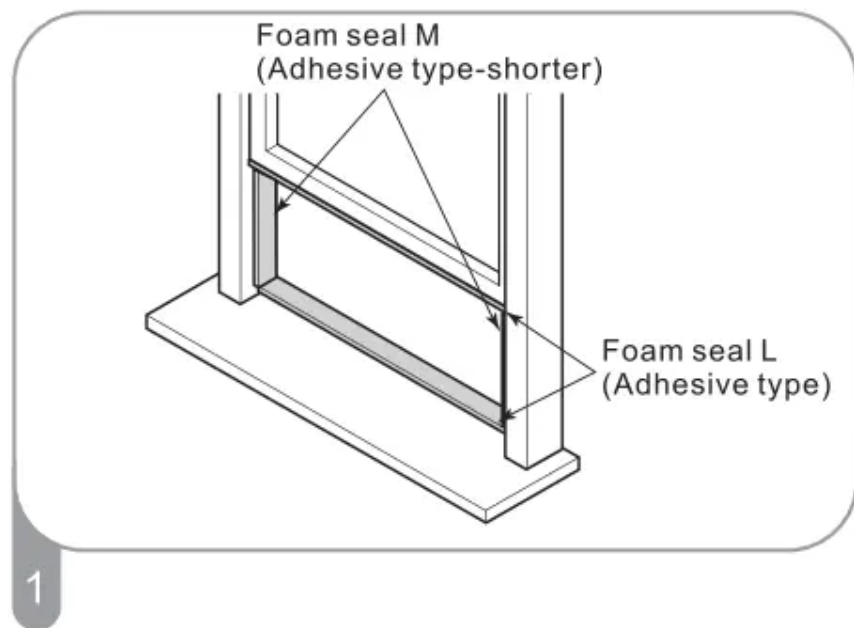


A. Outer slider section
B. Window exhaust adapter

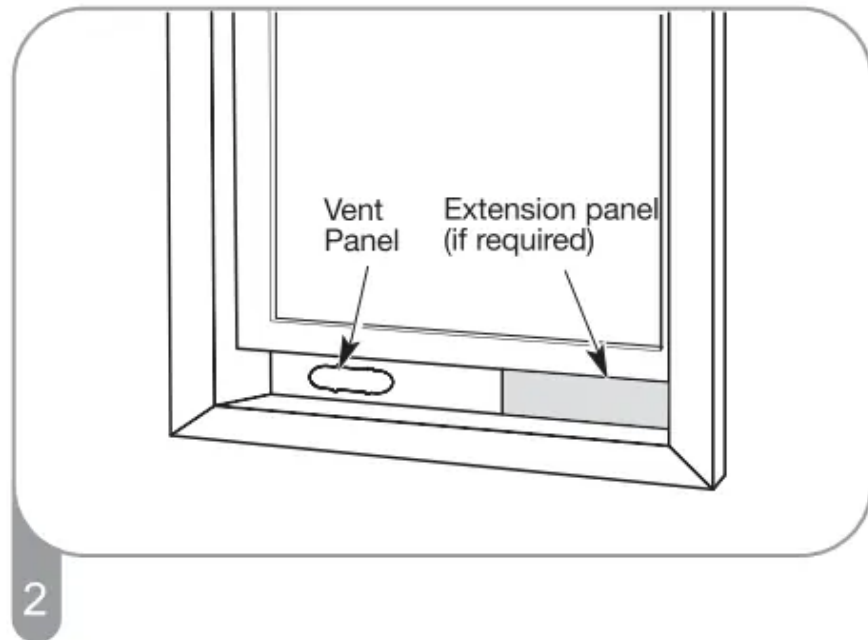
Installation In Vertical Sliding Windows

NOTE: The window installation kit can be used with vertical sliding windows between 18" and 50" wide

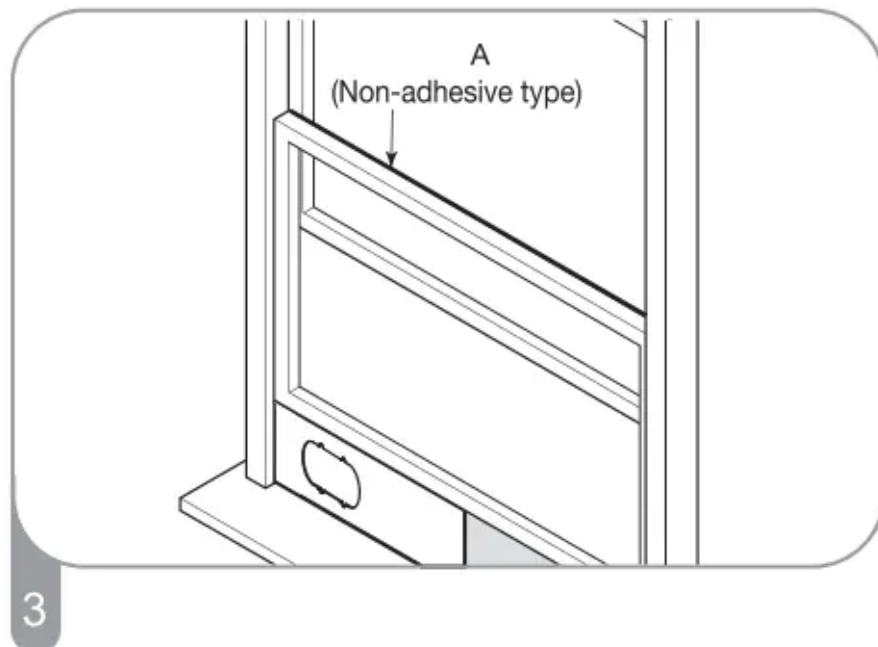
1. Cut the foam seal L(adhesive type) & M (adhesive type-shorter)to the proper length, and attach it to the window sash and frame.



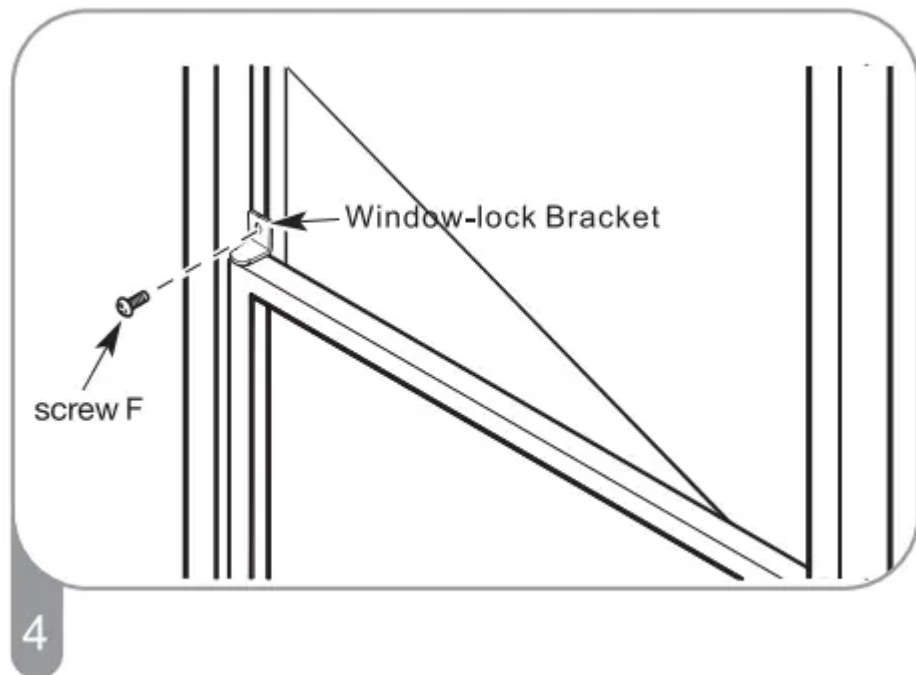
2. Insert the vent panel assembly, including extension panels, if needed, into the window opening. Extend the extension panels, if used.



3. Cut the foam seal A (Non-adhesive type) to the window width. Stuff the foam seal A between the glass and the window to prevent air and insects from getting into the room.



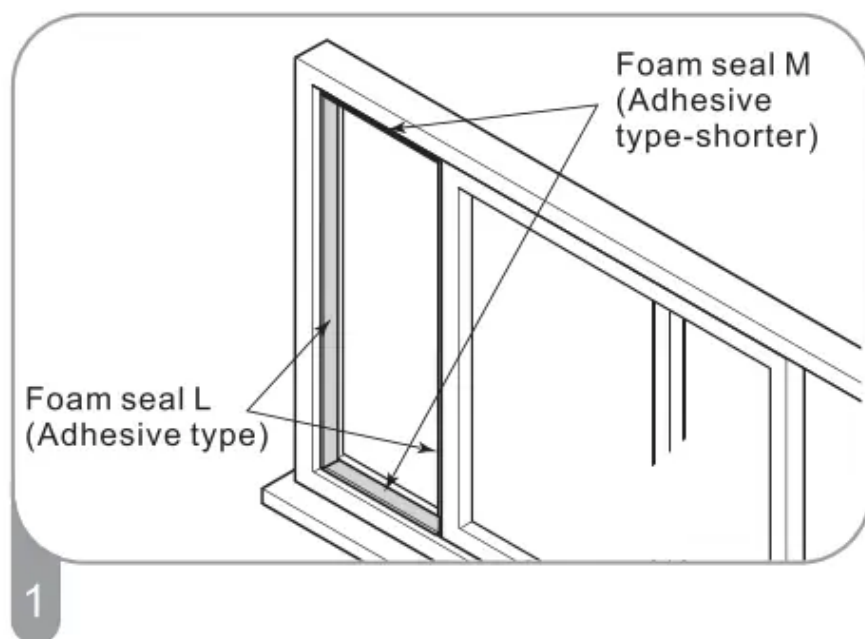
4. Install the Window-lock bracket with a type F screw as shown if you need.



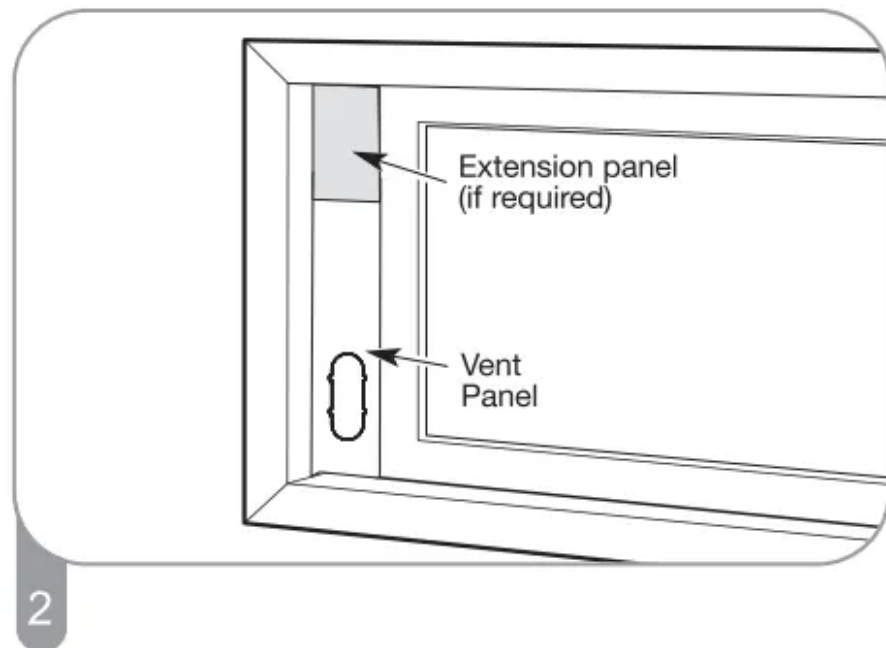
Installation In Horizontal Sliding Windows

NOTE: The window installation kit can be used with horizontal sliding windows between 18 and 50 wide.

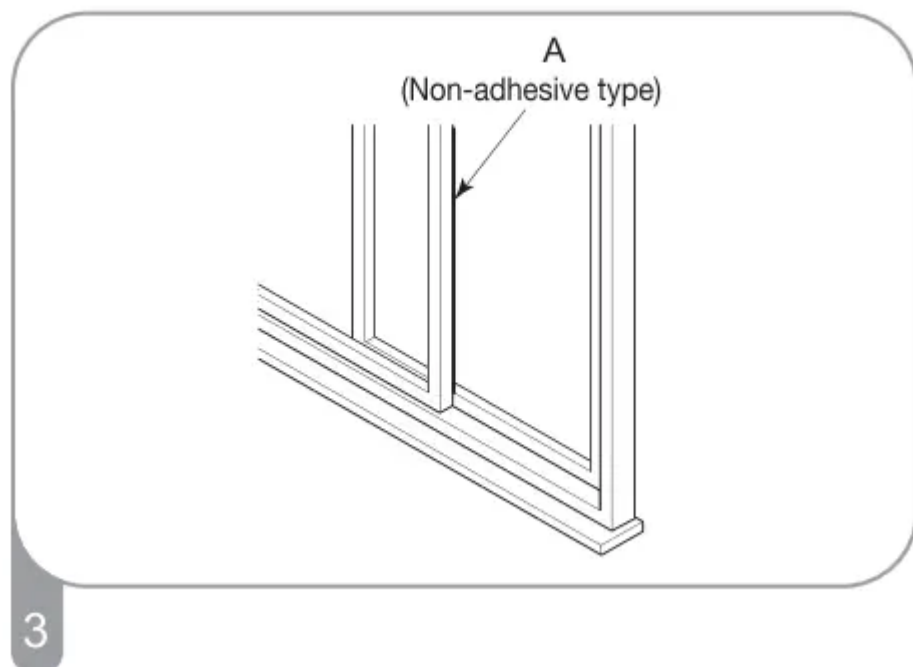
1. Cut the foam seal L(adhesive type) & M (adhesive type-shorter)to the proper length, and attach it to the window sash and and frame.



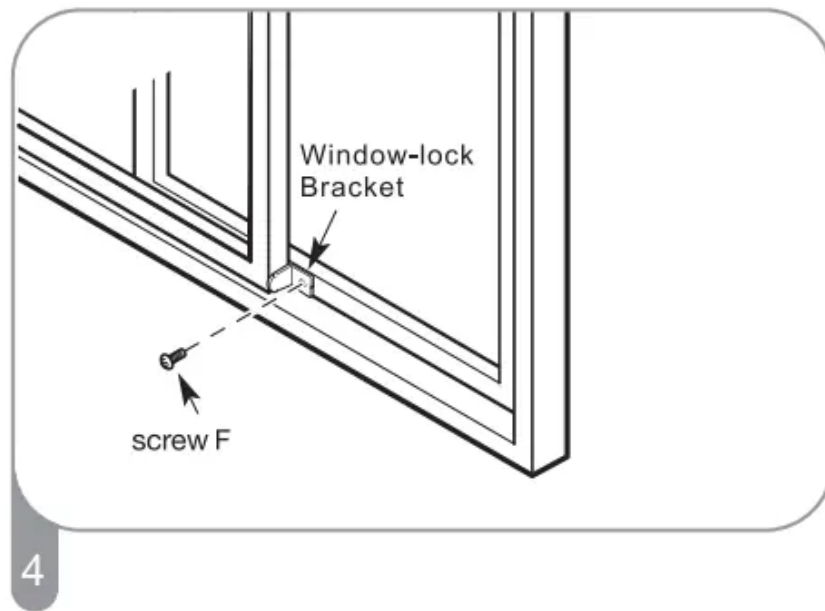
2. Insert the vent panel assembly, including extension panels, if needed, into the window opening. Extend the extension panels, if used.



3. Cut the foam seal A(Non-adhesive type) to the window width. Stuff the foam seal A between the glass and the window to prevent air and insects from getting into the room.



4. Install the Window-lock bracket with a type F screw as shown if you need.



PORTABLE AIR CONDITIONER USE

Operating your portable air conditioner properly helps you to obtain the best possible results. This section explains proper air conditioner operation.

IMPORTANT:

- The air conditioner display shows the current room temperature.
- When changing modes while the air conditioner is in operation, the compressor will stop for 3 to 5 minutes before restarting.

If a button is pressed during this time, the compressor will not restart for another 3 to 5 minutes.

- In Cooling or Dry mode, the compressor and condenser fan will stop when the room temperature reaches the set temperature.

NOTE: In the event of a power failure, your air conditioner will operate at the previous settings when the power is restored.

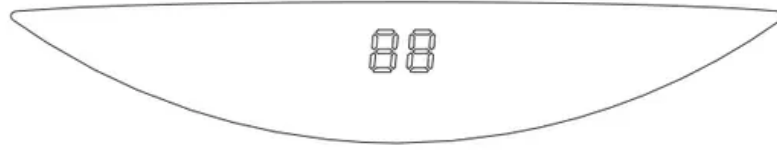
Starting Your Portable Air Conditioner

Control panel



NOTE: The symbols may be different from these models, but the functions are similar.

Front display



NOTE: The figures in this manual are based on the external view of a standard model. They may differ from that of the air conditioner you have selected.



POWER

Power On or Off

NOTE:

- **Keep upright at least 2 hours before use to prevent damaging the compressor.**
- When the air conditioner is turned on for the first time after it is plugged in, it will run in the Cooling Mode (For AP14 series will run in Smart Mode). When the air conditioner is turned on at all other times, it will run according to the previous setting. Smart Mode can only be operated with the remote control.

Mode

1. Press and release MODE until you see the symbol for the desired setting.

◦



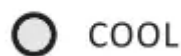
MODE

Operating modes:

2. Choose Cooling, Dry, Fan or Heating.

- Cooling-Cools the room. Press FAN to select High, Mid or Low. Press the Plus or Minus button to adjust the temperature.

◦



- Dry-Dries the room. The air conditioner automatically selects the temperature.

- The fan runs on Low speed only. Dehumidification ranges between 2 to 3 pints per hour, by model.

NOTE: Dry mode should not be used to cool the room.

DRY

Fan Only mode. Press FAN to select High, Mid or Low.

FAN

Heating-heats the room. Press FAN to select high, Mid or Low.

Press the PLUS or MINUS button to adjust the temperature.

NOTE: Heating is NOT available for cooling. To cool, that mode must be selected.

HEAT (Optional)

Fan Speed

1. Press and release FAN to choose the desired fan speed.



2. Choose High, Mid or Low.

- Auto-automatically controls the fan speed depending on the current room temperature and temperature control setting.

- High-for maximum fan speed HIGH

- Mid-for normal fan speed MED

- Low-for minimum fan speed LOW

Temperature

Press the PLUS button to raise the temperature. Press the PLUS button once to increase the set temperature by 1°F (1°C).



Press the MINUS button to lower the temperature. Press the MINUS button once to decrease the set temperature by 1°F (1°C



NOTE:

- In the Cooling mode, the temperature can be set between 61 °F and 86°F (16°C and 30°C).
- In Fan Only mode, the temperature cannot be set.

To change the temperature display between °C and °F press both the Plus and Minus Adjust buttons at the same time.



ION (Optional)

Press the ION button to start or stop the Plasma Generator.



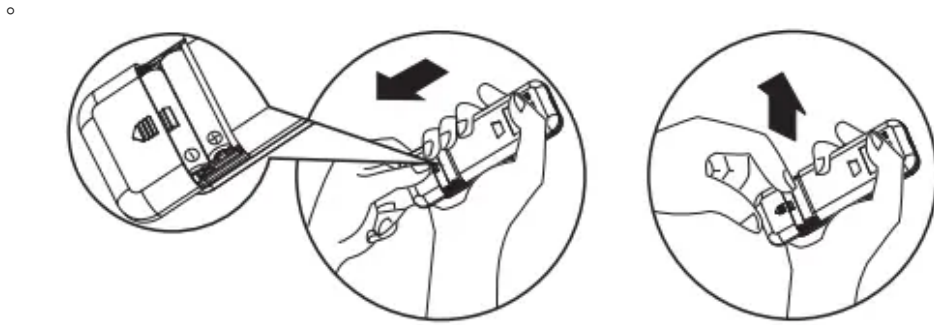
When the ION indicator light of the appliance flashes, the Plasma Generator will turn on.

Using the Remote Control

Insert the Batteries

1. Remove the battery cover along the arrowed direction.

2. Insert new batteries making sure that the (+) and (-) of battery are matched correctly.



3. Re-attach the cover by sliding it back into position.

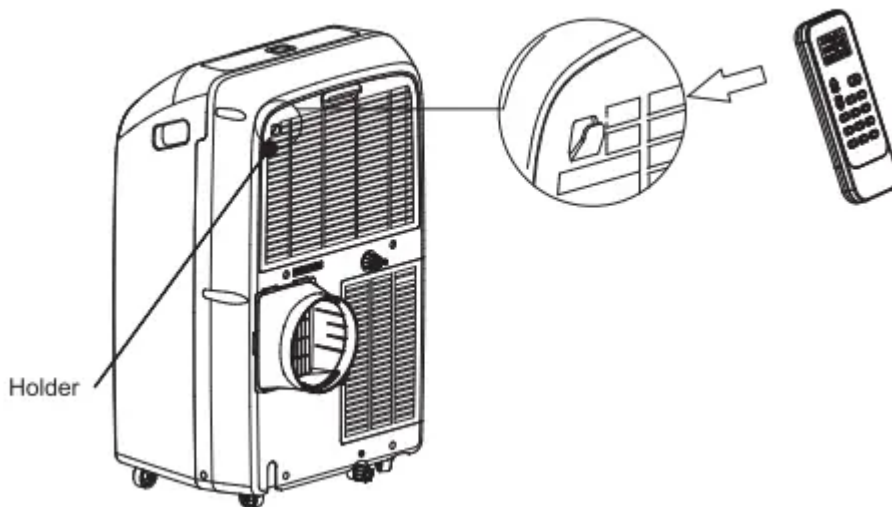


NOTE:

- Use 2 standard AAA(1.5volt) batteries. Do not use rechargeable batteries. Replace batteries with new ones of the same type when the display becomes dim, or after 6 months.
- If you reload batteries after removing the old ones, previous settings will be lost.

Storage tip

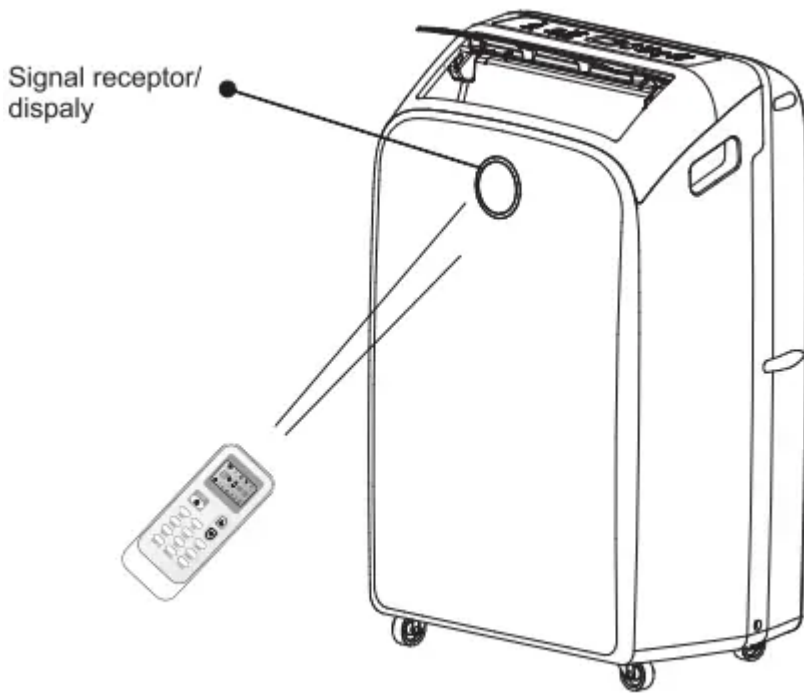
The clip on the back of the unit can be used to store the remote control.



How to Use



To operate the room air conditioner, aim the remote controller to the signal receptor. The remote control will operate the air conditioner at a distance of up to 23' (7m) when pointing at signal receptor of the air conditioner.



Remote control















NOTE: Remote control may differ in appearance.





Button and Function








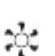


1		ON/OFF	8		SLEEP
2		MODE	9		IFEEL
3		FAN	10		CLOCK
4		UP	11		Timer Off
5		DOWN	12		Timer On
6		SMART	13		SUPER
7		SWING *	14		DIMMER




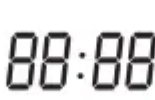

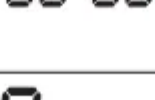


NOTE: Your remote control could change the displaying between fahrenheit and degree centigrade by pressing MODE and DOWN buttons at the same time.

*This function is not available on all models.

Indication symbols

Indication symbols on LCD:

 Cooling indicator	 Auto fan speed
 Dry indicator	 High fan speed
 Fan only indicator	 Medium fan speed
 Heating indicator	 Low fan speed

 Smart indicator	 Signal transmit.
 Sleep indicator	ON  Display set timer
 Ifeel indicator	OFF  Display current time
 Super indicator	 Display set temperature

SMART Mode

Press the SMART button, regardless if the unit is on or off, to set temperature and fan speed automatically based on the actual room temperature.

To cancel SMART Mode, just press the MODE button, to select Cooling, Heating, or Dry.



Operation mode and temperature are determined by indoor temperature.



With Heater/Heat pump models

Indoor temperature	Operation mode	Target temperature
70°F (21°C) or below	HEATING	72°F (22°C)
70-73°F (21-23°C)	FAN ONLY	
73-79°F (23-26°C)	DRY	Room temperature decrease 4°F(2°C) after operate for 3 minutes
Over 79°F(26°C)	COOLING	79°F (26°C)

Cooling only models

Indoor temperature	Operation mode	Target temperature
73°F (23°C) or below	FAN ONLY	
73-79°F (23-26°C)	DRY	Room temperature decrease 4°F (2°C) after operate for 3 minutes
Over 79°F (26°C)	COOLING	79°F (26°C)

NOTE: Temperature, airflow and direction are controlled automatically in smart mode. However, a decrease or rise of up to 4°F (2°C) can be set with the remote controller if you still feel uncomfortable.

What you can do in ▲ mode		
Your feeling	Button	Adjustment
Uncomfortable because of unsuitable air flow volume.	 FAN	Indoor fan speed alternates among High and Low each time this button is pressed.
Uncomfortable because of unsuitable flow direction.	 SWING	Press it once, the louver swings to change airflow direction. Press it again, swings stops.

SUPER

SUPER button is used to start or stop fast cooling or heating.

1. Press SUPER button. The air conditioner automatically sets the fan speed to High and the temperature to 61 °F (16°C). Fast heating operates at auto fan speed, changing the set temperature automatically to 86°F (30°C).



2. To turn off Super control, press any button on the remote control or control panel except Timer On, Timer Off, Clock, Dimmer, I feel and Swing.

NOTE:

- In the SUPER mode you can set the airflow direction or timer.
- SMART and SUPER modes cannot be used simultaneously.

fast cooling



fast heating



Sleep mode

SLEEP mode can only be set in Cooling, Heating or Drying. When in sleep mode the unit will utilize lower, quieter fan speeds and automatic temperature adjustments offering 8 hours of optimal sleeping conditions before shutting off.



NOTE:

- Sleep mode cannot be used if the unit is in Smart mode.
 - The appliance will stop operation automatically after operating for 8 hours.
 - Fan speed is automatically set at low speed.
 - In the Cooling mode, if the current room temperature is below 79°F (26°C), the temperature will automatically increase 1 °F (1 °C) during the first hour after Sleep control is activated, and continue running at that temperature. If the room temperature is 79°F (26°C) or above, set temperature will not change.
 - In Heating mode, the set temperature will decrease by 6°F (3°C) at most, during 3 hours, and continues running at that temperature until auto shut off.
1. Press MODE to select Cooling, Heating or Dry.
 - NOTE: Sleep control cannot be selected in Fan mode.
 2. Press the UP or DOWN button to set the temperature.
 3. Press SLEEP. After 5 seconds, the lights on the control panel display will dim.
 - **NOTE:** The temperature and airflow direction may be adjusted during Sleep control. The fan speed is automatically set to Low speed. After 5 seconds, the lights on the control panel display will dim again.

4. To turn off Sleep control, press SLEEP, MODE, ON/OFF.FAN, SUPER or wait 8 hours for Sleep control to turn off automatically.

- **NOTE:** The air conditioner will return to previous settings after Sleep mode is turned off.

I FEEL

The temperature sensor built into the remote control can sense its surrounding temperature, and transmit the signal back to the unit. The temperature is adjusted to provide maximum comfort.



NOTE:

- The I FEEL function is active, as a default setting from the factory.
- To de-activate the I FEEL function, press the I FEEL button for about 5 seconds, and the I FEEL indicator in the display will disappear, de-activating the I FEEL function.



- Pressing the I FEEL button once will activate I FEEL function again.

DIMMER

Press the DIMMER button to turn off the control panel display



NOTE: When in DIMMER mode, new control inputs will return display to normal.

Clock function

1. You can set the real time by pressing the CLOCK button



2. Use the Up and Down buttons to set the correct time



3. Press the CLOCK button again and the real time is set

TIMER ON

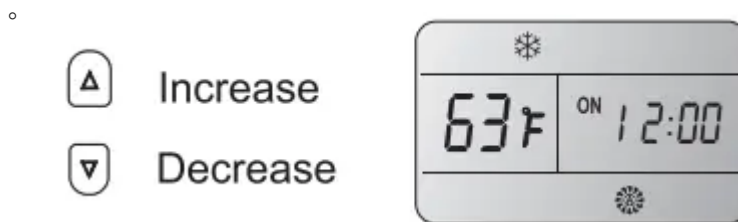
Set the timer with the TIMER ON/OFF buttons.

NOTE: The CLOCK must be set before using the TIMER function. Using the TIMER The TIMER ON button can be used to turn on the unit automatically at a preset time .

1. Press TIMER ON, then "On 12:00" flashes on the LCD.



2. Press the UP or DOWN button to set the time of day to turn on the appliance.



- Press the UP or DOWN button once to increase or decrease the time setting by 1 minute.
- Press and hold the UP or DOWN button for 2 seconds to increase or decrease the time setting by 10 minutes.
- Press and hold the UP or DOWN button for a longer time to increase or decrease the time setting by 1 hour.

3. When the desired time is displayed on the LCD, press the TIMER ON button, again, to confirm it. A "Beep" will be heard, and "ON" stops flashing. The TIMER indicator on the appliance lights up, indicating the TIMER is set.

4. After the preset time is displayed for 5 seconds, the clock will display on the LCD of remote controller instead of the TIMER setting. To cancel TIMER On Press the TIMER ON button again, when a "beep" is heard and the indicator disappears, the TIMER ON mode has been canceled. The TIMER OFF button can be used to turn off the unit automatically at a preset time.

TIMER OFF

It is similar to set TIMER OFF,you can make the appliance unit switch off automatically at the time you set.



SWING

Press SWING once to change the vertical airflow direction. Press again to hold the louver in a desired position.



NOTE:

- Airflow is automatically adjusted to a preset direction after turning on the unit.
- The direction of airflow can be adjusted by pressing the SWING button.
- Do not turn the airflow louvers manually, to prevent damage, turn off the unit first and cut off the power supply. Then restore power again after adjustment.

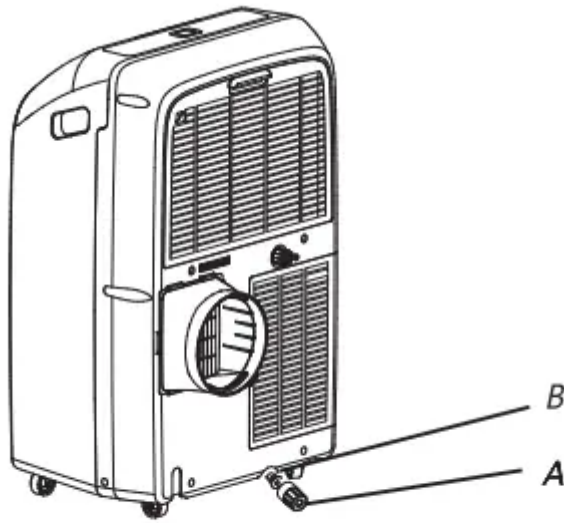
Normal Sounds

When your air conditioner is operating normally, you may hear sounds such as:

- Air movement from the fan.
- Clicks from the thermostat cycling.
- Vibration or noise due to poor wall or window construction.
- A high-pitched hum or pulsating noise caused by the high-efficiency compressor cycling on and off.

PORTABLE AIR CONDITIONER CARE

Draining the Air Conditioner

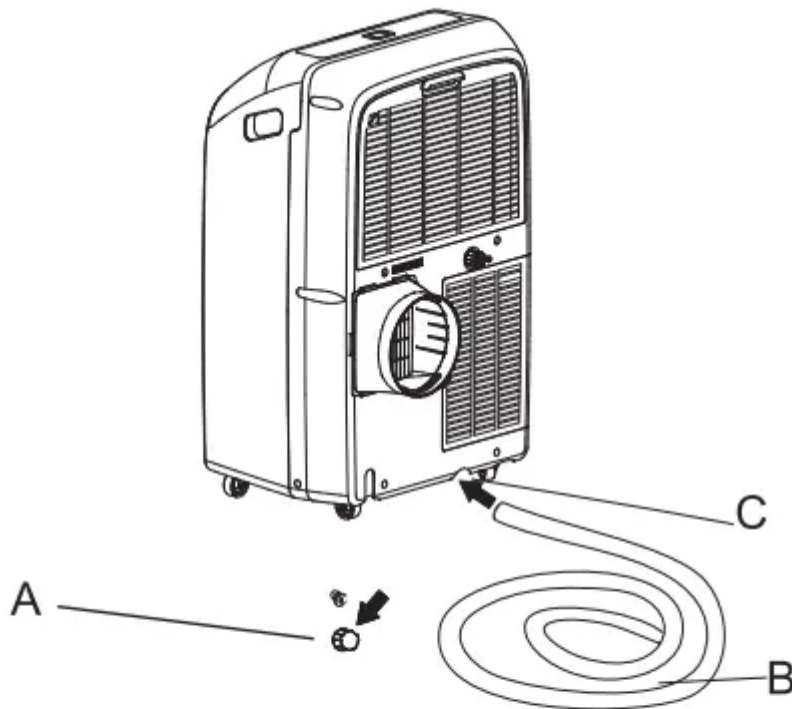


A.Primary drain cover B.Primary drain plug

WARNING: Excessive Weight Hazard

- Use two or more people to move and install the air conditioner.
 - Failure to do so can result in back or other injury.
1. Unplug the air conditioner or disconnect power.\
 2. Move the air conditioner to a drain location or outside.
 - NOTE: To avoid leaking water from the unit, move the air conditioner slowly and keep it level.
 3. Remove the primary drain cover and plug.
 4. Drain water completely through the drain hole.
 - NOTE: If the air conditioner will be stored after use, see “Storing After Use”.
 5. Reinstall the drain plug to the primary drain hole.
 6. Reinstall the primary drain cover to the drain hole.
 7. Reposition the air conditioner.
 8. Plug in the air conditioner or reconnect power.

Draining the Air Conditioner(Heating mode)



- A.Primary drain port
- B.Drain hose
- C.Primary drain hole

WARNING: Please connect the drain hose on heating mode, or the unit will stop running after the water reaches warning level.

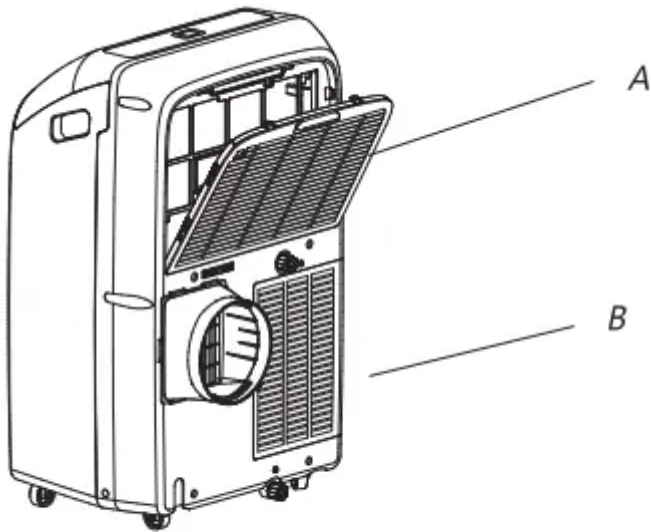
1. Uncover the primary drain port.
2. Attach the drain hose to the primary drain hose. Make sure the connector is no water leak.
3. Place the other end of drain hose into a outfall. Check to see that the hose lies flat and is in the drain.Make sure the hose end that gose to the drain is on a lower level than the hose end that connects to the unit. The hose should not be kinked or pinched.

Cleaning the Outside

1. Press ON/OFF to turn off the air conditioner.
2. Unplug the air conditioner or disconnect power.
3. Remove the air filter and clean separately. See "cleaning the Air Filter".
4. Wipe the outside of the air conditioner with a soft, damp cloth.
5. Plug in the air conditioner or reconnect power.

6. Press ON/OFF to start the air conditioner.

Cleaning the Air Filter



- .Evaporator air intake filter panel door
- .Condenser air intake filter panel door

1. Press ON/OFF to turn off the air conditioner.
2. Open the filter panel door on the back of the air conditioner and remove.
3. Remove the tapping screw from the condenser air intake filter panel door and remove.
4. Use a vacuum cleaner to clean the filter. If the filter is very dirty, wash the filter in warm water with a mild detergent. NOTE: Do not wash the filter in the dishwasher or use any chemical cleaners.
5. Air dry the filter completely before replacing to ensure maximum efficiency.
6. Reattach the air filter to the filter panel door.
7. Reinstall the filter panel door and tapping screw.
8. Press ON/OFF to start the air conditioner.

Storing After Use

1. Drain the water completely. See "draining the Air Conditioner ".
2. Run the air conditioner set to Fan Only for approximately 12 hours to dry the air conditioner.
3. Unplug the air conditioner.
4. Remove the flexible exhaust hose and store with the air conditioner in a clean, dry area. See " installation Instructions ".
5. Remove the window kit and store with the air conditioner in a clean, dry area. See" Installation Instructions

6. Remove the filter and clean. See Cleaning the Air Filter.
7. Clean the outside of the air conditioner. See "Cleaning the Outside".
8. Reinstall the filter.
9. Remove the batteries and store the remote control with the air conditioner in a clean, dry area.

TROUBLESHOOTING

WARNING: Electrical Shock Hazard

- Plug into a grounded 3 prong outlet.
 - Do not remove ground prong.
 - Do not use an adapter.
 - Do not use an extension cord.
 - Failure to follow these instructions can result in death, fire, or electrical shock.
1. The power supply cord is unplugged.
 - Plug into a grounded 3 prong outlet. See "electrical Requirements."
 2. Time-delay fuse or circuit breaker of the wrong capacity is being used.
 - Replace with a time-delay fuse or circuit breaker of the correct capacity. See "electrical Requirements".
 3. The power supply cord has tripped (Reset button has popped out).
 - Press and release RESET (listen for click; Reset button will latch and remain in) to resume operation.
 4. A household fuse has blown, or a circuit breaker has tripped.
 - Replace the fuse, or reset the circuit breaker. See "Electrical Requirements".
 5. The On/Off button has not been pressed.
 - Press ON/OFF.
 6. The local power has failed.
 - Wait for power to be restored.

Air conditioner blows fuses or trips circuit breakers

1. Too many appliances are being used on the same circuit.
 - Unplug or relocate appliances that share the same circuit.

2. You are trying to restart the air conditioner too soon after turning off air conditioner.

- Wait at least 3 minutes after turning off air conditioner before trying to restart the air conditioner.

Air conditioner power supply cord trips (Reset button pops out)

1. Disturbances in your electrical current can trip (Reset button will pop out) the power supply cord.

- Press and release RESET (listen for click; Reset button will latch and remain in) to resume operation.

2. Electrical overloading, overheating, cord pinching or aging can trip (Reset button will pop out) the power supply cord.

- After correcting the problem, press and release RESET (listen for click; Reset button will latch and remain in) to resume operation. If the power cord fails to reset, contact a service technician.
- **NOTE:** A damaged power supply cord must be replaced with a new power supply cord obtained from the product manufacturer and must not be repaired.

Air conditioner seems to run too much

1. Is there a door or window open?

- Keep doors and windows closed.

2. The current air conditioner replaced an older model.

- The use of more efficient components may cause the air conditioner to run longer than an older model, but the total energy consumption will be less. Newer air conditioners do not emit the “blast” of cold air you may be accustomed to from older units, but this is not an indication of lesser cooling capacity or efficiency. Refer to the efficiency rating (EER) and capacity rating (in Btu/h) marked on the air conditioner.

3. The air conditioner is in a heavily occupied room, or heat-producing appliances are in use in the room.

- Use exhaust vent fans while cooking or bathing and try not to use heat-producing appliances during the hottest part of the day. Portable air conditioners are designed as supplemental cooling to local areas within a room. A higher capacity air conditioner may be required, depending on the size of the room being cooled. Air conditioner runs for a short time only, but room is not cool

4. Set temperature is close to room temperature.

- Lower set temperature. See " portable Air Conditioner Use

Display error code

- **If the unit displays error code E5, the water container is full. Drain the water, see “Draining the air conditioner”. After draining, the unit can be operated again.**
- If the unit display error code E1/E2/E3/E4/E6/E7/EA, please contact customer service.

Air conditioner runs, but does not cool

- The filter is dirty or obstructed by debris.
 - Clean the filter.
- Air outlet is blocked.
 - Clear air outlet.
- Set temperature is too high.
 - Lower set temperature.

Air conditioner cycles on and off too much

- The air conditioner is not properly sized for your room
 - Check the cooling capabilities of your portable air conditioner. Portable air conditioners are designed as supplemental cooling to local areas within a room.
- The filter is dirty or obstructed by debris.
 - Clean the filter.
- There is excessive heat or moisture, open container cooking, showers, etc. in the room.
 - Use a fan to exhaust heat or moisture from the room. Try not to use heat-producing appliances during the hottest part of the day.
- The louvers are blocked.
 - Install the air conditioner in a location where the louvers are free from curtains, blinds, furniture, etc.

Warning

This content is compiled from multiple sources and is provided for reference purposes only. It may not be complete or fully applicable to all situations. If you are unable to resolve your issue, please contact the product manufacturer or an authorized service provider for official support.