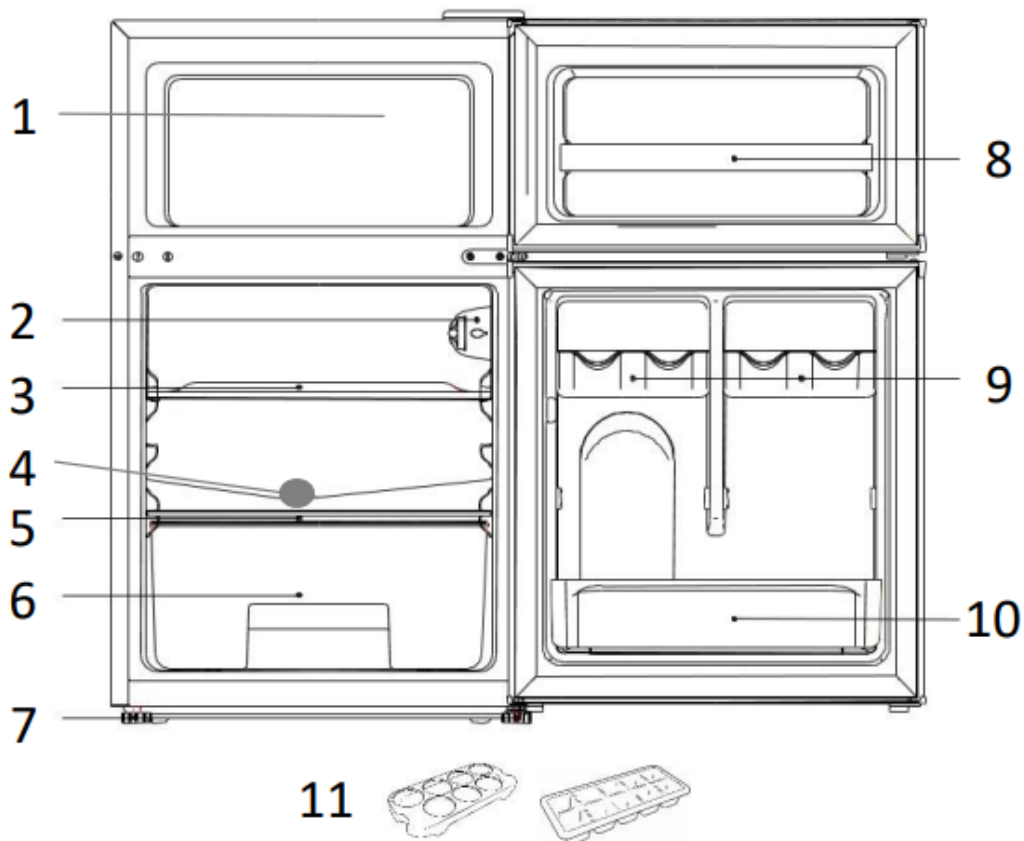


## Before Switching On

- Before using your appliance, add a teaspoon of bicarbonate of soda to warm water and with a damp cloth wipe down all parts of the new appliance, then repeat the process with a clean damp cloth and dry. **(ensure the appliance is not connected to the power when performing this task).**
- Remove all transport tapes and foam protection pieces . Clean the interior with a cloth dampened in lukewarm soap and water. Wipe with clean water and wipe dry.
- There may be an odour when you first switch on the appliance, it will disappear when the appliance starts to cool.
- When the appliance has been positioned, adjust the feet to ensure the unit is stable. This is essential to ensure quiet running and proper door opening /closing.
- Connect to the electrical socket but do not switch the power to the refrigerator on for at least 3 hours. The coolant within the product needs time to settle after it has been transported and put in to position, failure to do this will affect the cooling performance of your appliance.
- Once the appliance has settled locate the thermostat knob on the product and set between “5” and “6” and switch on the power. The compressor will begin to work. Close the door.
- You may hear faint gurgling or bubbling sounds when the refrigerant is pumped to the cooling system and through the coils or tubing at the rear of the appliance. When the compressor is in operation you may hear a slight whirring sound or pulsating noise. The thermostat controls the operation of the compressor, and you may hear a slight click as it cycles in and out (this is normal).
- To save energy, you should minimize the frequency and duration of door opening.

## Product Overview



- 1.Freezer (4 star freezer rating)
- 2.Light & thermostat
- 3.Adjustable glass shelf
- 4.Drainage hole
- 5.Fixed glass shelf
- 6.Crisper
- 7.Feet
- 8.Freezer rack (2 star freezer rating)
- 9.Bottle racks
- 10.Door rack
- 11.Egg rack & ice cube tray

## Unit Parts & Spare Parts

Before installation, check that all parts detailed in the product overview are present. If any parts are missing, please contact the Product Care Customer Service team on **0345 208 8750**.

## Usage

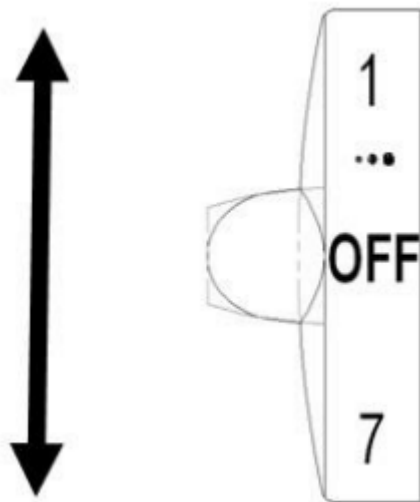
### **Allow to stand for a minimum of 3 hours before plugging in to the mains**

The temperature in the appliance is controlled by the temperature control knob located inside the fridge. Rotate the control knob up or down to regulate the temperature inside the fridge.

On the temperature control, 1 is the warmest setting and 7 is the coldest setting. **Under normal conditions the temperature control should be set between 5 and 6.** Setting 7 should be used as a rapid cool/freeze setting and should only be set 2 hours before a large amount of food is placed in the fridge. The temperature control should be put back to setting 5 or 6 after the food has been placed in the fridge, if this is not done the temperature in the fridge compartment could fall below 0°C as the compressor will run continuously.

Once the temperature control has been set, close the door and plug in the appliance. We recommend that the door is not opened for a minimum of 4 hours to allow the appliance to reach the standard operating temperature.

Note: The standard operating temperature for the fridge compartment should be between 0°C and 4°C. The standard operating temperature for the freezer compartment should be between -18°C and -25°C.



**•Note: The temperature of the freshly stored food and how often the door is opened) affects the temperature in the refrigerator compartment. If required, change the temperature setting.**

## Door Reversal

You will need to tilt the appliance backward to access the lower hinge which holds screws. Do not tilt more than 45 degrees and do not lay the appliance flat on its side.

For your own safety, a minimum of 2 people should lift or tilt this product.

1. Remove the two adjustable feet from the bottom of the appliance.
2. Remove the two screws from the right hand bottom hinge, either with a Phillips head screwdriver or a spanner.
3. Support the fridge door and gently remove the hinge.
4. Remove the fridge door and place it on a cushioned surface. Remove the hinge adaptor from the top and the bottom of the fridge door and fix them to the opposite sides, ensuring it is fixed securely.
5. Remove the upper hinge cover and unscrew the three screws from the upper hinge with either a Phillips head screwdriver or a spanner
6. Support the freezer door and gently remove the hinge.
7. Remove the freezer door and place it on a cushioned surface. Move the hinge cap that is in the top of the freezer door from the right hand side to the left hand side.
8. Remove the middle hinge by removing the two screws with either a Phillips head screwdriver or a spanner
9. Fix the middle hinge to the left hand side, ensure the hole caps and screw cover that are on the left hand side of the appliance are put on to the right hand side.
10. Align the fridge door in the closed position onto the middle hinge. Place the bottom hinge in position on the left hand side and fix it in place with two screws. **You must ensure the fridge door is aligned horizontally and vertically, so that the seals are closed on all sides before finally tightening.**
11. The smaller of the 2 adjustable feet is to be inserted into the bottom hinge and the bottom of the fridge door and tightened. The larger of the adjustable feet is put on the right hand side.
12. Align the freezer door in the closed position onto the middle hinge. Place the upper hinge in position on the left hand side and fix it in place with three screws. The hole caps will need to be removed prior to the hinge being fixed in place and put on to the right hand side. **You must ensure the freezer door is aligned horizontally and vertically, so that the seals are closed on all sides before finally tightening.**
13. Replace the hinge cover

Check that the door opens and shuts correctly after you have completed the door reversal process.

The appliance must now be upright for a minimum of 3 hours before turning it on.

## Replacing the Bulb

1. Unplug the appliance from the mains.

2. Locate the lamp cover which is on the rear of the temperature control panel in the top right hand side of the refrigeration compartment.
3. Using a Phillips head screwdriver remove the screw at the far end of the light cover and slide the cover off. Please note to unscrew the cover you may have to remove the food and shelving from the fridge.
4. Replace the bulb with a new one, maximum 10W.
5. Put the lamp cover back on and screw in place.
6. Check the temperature control knob has not been accidentally altered.
7. After 5 minutes, plug the appliance in to the mains.

## **Energy Saving Advice**

- Do not install the appliance close to sources of heat, such as a cooker, dishwasher or radiator.
- Locate the appliance in a cool well-ventilated room and make sure that the air vents are clear.
- Try to avoid keeping the doors open for a long time, warm air will enter the cabinet and may cause a build-up of ice as well as affecting the energy consumption. Ensure there are no obstructions preventing the doors from closing properly.
- Ensure that the door seals are clean and there are no tears or splits.
- Keep the most perishable foods, (those with a short shelf-life, such as cooked meats), in the coldest part of the fridge. The Salad Crisper Box is the warmest part of your fridge and should be used for vegetables, salads and fruits etc.
- Do not overload the appliance: the cooling air that circulates to keep the appliance cold gets blocked and pockets of warm air form.
- Do not put hot food into the fridge or freezer – let it cool down first.

## **Freezer Storage Advice**

- Store fresh food in airtight boxes or wrap in bags or foil which are suitable for freezing.
- Do not allow frozen food into direct contact with food to be frozen.
- Pre-frozen food must be placed in the freezer as quickly as possible after purchasing.
- To prevent frost damage to fresh vegetables or fruits they must be processed appropriately before being placed into the freezer compartment.

•You must always follow the storage guidelines printed on all food packaging. However, below is some suggested maximum storage times at -18°C (4 star freezer rating) for a variety of foods:

- Fresh meat & poultry – up to 12 months
- Cooked meat – up to 2 months
- Fresh fish – up to 6 months
- Fruit & vegetables – up to 12 months
- Bread & cakes – up to 6 months

## Power Failure

If there is a power failure during the storage of frozen foods, keep the door closed. If the temperature within your freezer should rise, do not refreeze the food without checking it's condition.

- Ice Cream:** Once thawed should be discarded.
- Fruit and Vegetables:** If soft should be cooked and used up.
- Bread and Cakes:** Can be refrozen without danger.
- Shellfish:** Should be refrigerated and used up quickly.
- Cooked Dishes:** i.e. casseroles should be refrigerated and used up.
- Large Pieces of Meat:** Should be refrigerated and used up quickly
- Small Joints:** Should be refrigerated and used up quickly
- Chicken:** Should be refrigerated and used up quickly

## Food Storage Guidelines

| Refrigerator compartments                     | Type of food   |
|---|--|
| Door or balconies of fridge compartment       | Foods with natural preservatives, such as jams, juices, drinks, condiments.<br><br>Do not store perishable foods.  |
| Crisper drawer (salad drawer)                 | Fruits, herbs and vegetables should be placed separately in the crisper bin.<br><br>Do not store bananas, onions, potatoes, garlic in the refrigerator.  |
| Fridge shelf – bottom<br>Chiller (box/drawer) | Raw meat, poultry, fish (for short-term storage)   |
| Fridge shelf – middle                         | Dairy products, eggs   |
| Fridge shelf – top                            | Foods that do not need cooking, such as ready-to-eat foods, deli meats, leftovers.   |
| Freezer drawer(s)/shelf                       | Foods for long-term storage.<br><br>Bottom drawer/shelf for raw meat, poultry, fish.<br>Middle drawer/shelf for frozen vegetables, chips.<br>Top drawer/shelf for ice cream, frozen fruit, frozen baked goods. |

## Maintenance & Cleaning

**Disconnect the appliance from the power supply before cleaning.**

### Internal Cleaning

- Do not pour water over the appliance.
- The cavity should be cleaned periodically using a solution of bicarbonate of soda and lukewarm water (5ml to 0.5 litre of water)

- Clean the accessories separately with soap and water. Do not put them in the dishwasher.
- Do not use abrasive products, detergents or soaps.
- After washing, rinse with clean water and dry carefully.
- When you have finished cleaning reconnect the plug with **dry hands**.

## External Cleaning

- Wash the outer cabinet with warm soapy water. Do NOT use abrasive products.
- There are sharp edges on the underside of the product so care should be taken when cleaning.
- Once or twice a year dust the rear of the appliance and the compressor at the back of the appliance, with a brush or vacuum cleaner, as an accumulation of dust will affect the performance of the appliance and cause increased energy consumption.

## When the appliance is not in use

When the appliance is not in use for long periods, disconnect from the electricity supply, empty all of the food and clean the inside. Leave the door open to prevent the build-up of odours.

## Defrosting

**Note: Care must be taken when performing the following procedure.**

Defrost twice a year or when a frost layer of approximately 7 mm (1/4") has formed.

- 2 hours before the defrosting process, set the thermostat knob at the "7" position to make sure the food is at the lowest temperature before removing the frozen foods. All food should be wrapped in several layers of newspaper and stored in a cool place (e.g. fridge or larder).
- Place several layers of new paper or towels underneath and next to the freezer door/ compartment
- Switch off the appliance at the socket outlet and pull out the mains plug.
- Remove the all drawers, baskets, etc. and leave the door or lid open. Containers of warm water (not hot) may be placed carefully in the freezer to speed up the defrosting process.
- Never use hairdryers, electrical heaters or other such electrical appliances for defrosting.
- When the ice has melted, clean and dry the interior. Wipe up any spillages that may have occurred.
- Switch the appliance on and replace any frozen food

## Trouble shooting

| <b>Problem</b>  | <b>Solution</b>   |
|---|---|
| The fridge/freezer doesn't work                         | Check that the appliance is switched on.  |
|   | Check that there has not been a power cut.  |
|   | Check that the plug is not faulty.  |
|   | Check that the fuse has not blown.  |
|   | Check that the voltage is correct for the appliance.  |
|   | Are there any faults with the socket? For this purpose, try the plug of your appliance by connecting it to a socket which you are sure is working.  |
| The temperature inside the appliance is not cold enough | Check that there is not too much food in the appliance.   |
|   | Check that the thermostat is set to a suitable temperature.   |
|   | Check that the appliance is not placed in direct sunlight, or too near to a heating source.   |
|   | Check that the ambient temperature is within the operation limits of the appliance.   |
|   | Are the doors of the appliance opened frequently? Once the door is opened, the humidity found in the air in the room enters the appliance, especially if the humidity levels in the room are very high. The more frequently the door is opened in humid conditions the more chance of the build up of moisture. |

|  |  |
|--|--|
| <p>The temperature within the appliance is too cold.</p> | <p>Increase the working temperature by adjusting the thermostat to a lower setting.</p> <p>The highest setting should only be used as a rapid cool setting and should only be set 2 hours before a large amount of food is placed in the fridge. If this is not done the temperature in the fridge compartment could fall below 0°C as the compressor will run continuously.</p> |
| <p>The inner surfaces of the appliance are wet</p>       | <p>Caused by condensation - dry the inside of the appliance.</p>   |
| <p>The outer surfaces of the appliance are wet</p>       | <p>Caused by condensation - dry the outer of the appliance carefully.</p>  |



|  |  |
|--|--|
| <p>Smell/odour</p>                     | <p>Check all the food and drink that is in the fridge/freezer is in date and correctly packaged. If it isn't then it should be removed immediately or repackaged.</p> <p>Check for spillages on each shelf, rack and drawer. You may need to remove the drawers to check that no spillages have settle underneath them. As spillages that have not been cleaned and have been left can cause smells and unwanted odours.</p> |
|  | <p>Check the drainage pipe is not clogged or the drip tray at the back of the appliance is full. The pipe can be cleared by pouring hot water through, but you must ensure the appliance is turned off, the plug is removed from the socket and a jug or bucket is in place to catch the flow of water.</p>  |
| <p>The doors do not close properly</p> | <p>Ensure there are no obstructions preventing door closure.</p>   |
|  | <p>Check the door compartments and shelves are correctly in place.</p>   |
|  | <p>Check the door seal is not warped or torn.</p>  |
|  | <p>Check the appliance is level.</p>   |
| <p>Unusual noises</p>                  | <p>Check that the appliance is on a flat, level surface and is stable.</p>   |
|  | <p>Check the spacing's around the appliance and ensure it is not touching other items.</p>   |
|  | <p><b>Bubbling and gurgling sound:</b> • This noise is emitted as the coolant fluid flows through the pipes within the system. This is normal.</p>   |
|  | <p><b>Water flowing sound:</b> • This is the normal sound of water flowing into the drain trough during the defrosting process.</p>  |
|  | <p><b>If the appliance is operating noisily (compressor noise):</b> This is normal. This noise indicates that the compressor is operating</p>  |



normally. As the compressor is being energized, it might run a bit more noisily for a short period of time.

**Warning**

This content is compiled from multiple sources and is provided for reference purposes only. It may not be complete or fully applicable to all situations. If you are unable to resolve your issue, please contact the product manufacturer or an authorized service provider for official support.

