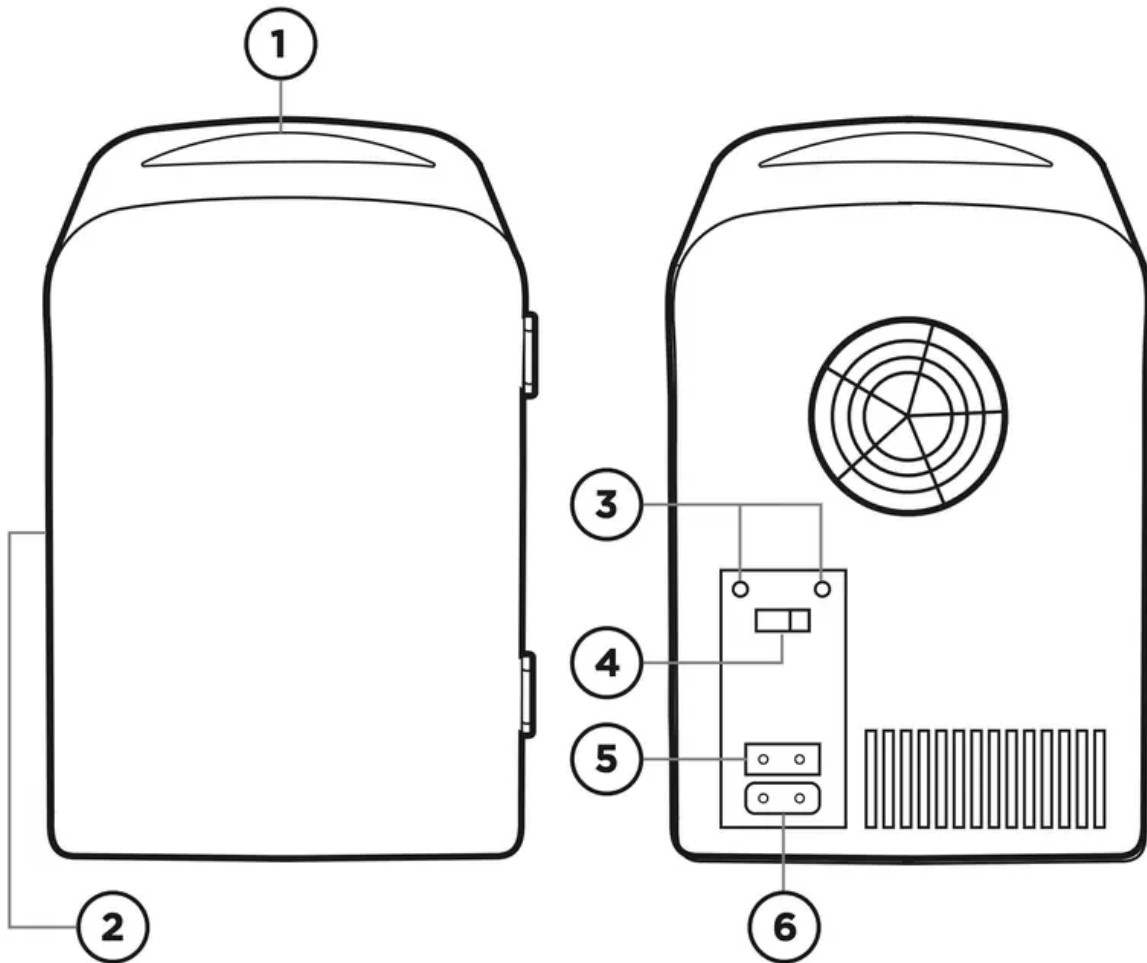
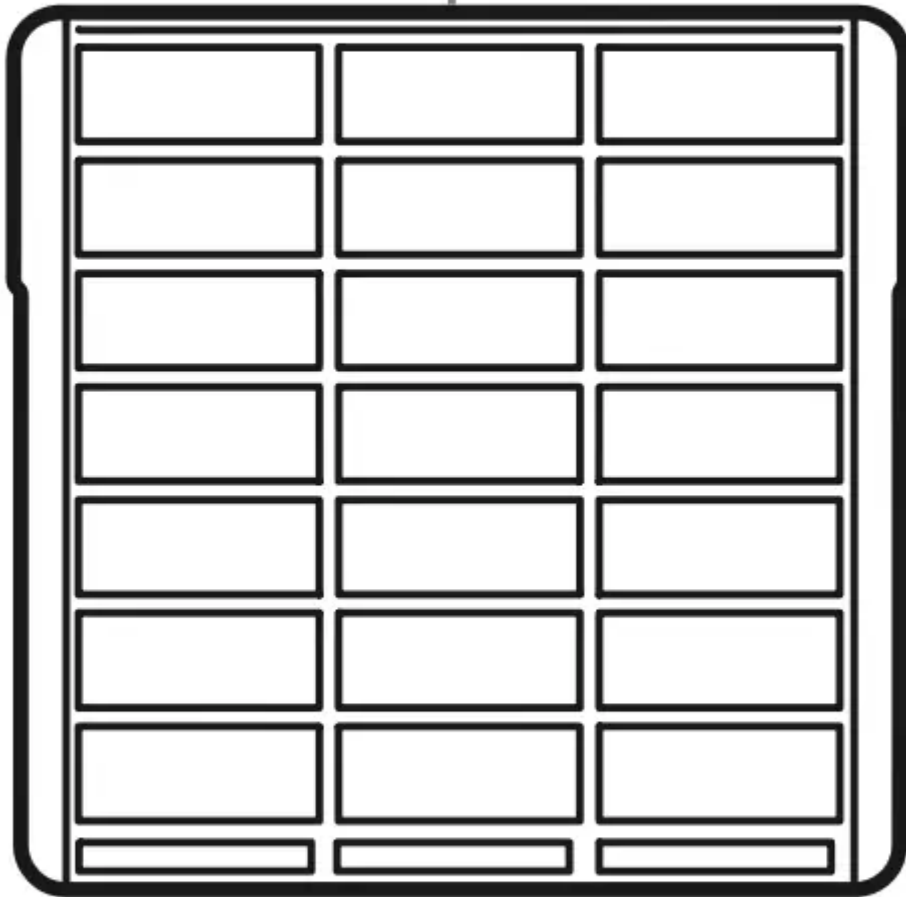


FEATURES



7



8



1. Carrying Handle
2. Door Handle
3. Red & Green Indicator Lights
4. HOT/COLD/OFF Switch
5. DC Plug Outlet
6. AC Plug Outlet
7. Removable Shelf
8. AC Cord and Plug
9. DC Cord and Plug

OPERATING INSTRUCTIONS

- When using your personal mini fridge in a car, you can plug it into the cigarette lighter socket, or connect it to a 12V storage battery. When using it at home or at the office, you can plug it into a wall outlet. Before using, first connect the plug of the cord into the socket of the personal mini fridge, then connect the other end to the power outlet.
- Once plugged in, you can then slide the switch to Cold or Hot function.
- Turn the switch to COLD for cooling mode. The green LED light will illuminate.
- Turn the switch to HOT for warming mode. The red LED light will illuminate.
- When the switch is turned to OFF, the personal mini fridge will function as an insulated box.
- For best results when cooling or heating items, refrigerate items before placing in personal mini fridge on cooling mode, or heat items before putting in warming mode.

CLEANING AND MAINTENANCE

- Accessories are not dishwasher safe.
- Wash the shelf with warm soapy water and dry thoroughly.
- Wipe the outside of the mini fridge with a clean cloth.
- Do not immerse mini fridge or power cords in water.

STORAGE AND DISPOSAL

- Store the appliance in a cool, dry, clean place, out of reach of children and pets.
- Keep the packaging in order to transport the appliance or store the appliance when not in use.

ABOUT THIS PRODUCT

- Upgrade your skincare storage and extend the shelf life of all your beauty products. Refrigerating your beauty and skincare products, especially preservative-free and natural ones, can extend their shelf life and maintain their effects for longer while leaving your skin feeling revitalized.
- The thermoelectric personal mini fridge is an eco-friendly “green” product, cooling and warming using advanced semiconductors that are free of CFC’s and refrigerants. Enjoy the many benefits of the personal mini fridge while protecting the safety of the environment
- The personal mini fridge is insulated, ensuring that your food and beverages stay cold or warm, making this product great for use in a car, boat, RV, or any other mode of transport.
- The product is ergonomically designed for your convenience, with a folded carry handle allowing for easy portability and features a lightweight design.

SAFETY INSTRUCTIONS

When using electrical appliances, basic safety precautions should always be followed including the following:

1. Read all instructions.
2. To protect against electrical shock, do not immerse cord or plugs in water or other liquid.
3. Close supervision is necessary when this appliance is used by or near children.
4. Unplug from outlet when not in use and before cleaning. Allow to cool prior to cleaning the product.
5. Do not operate any appliance with a damaged cord or plug or after the appliance malfunctions or has been damaged in any manner. Return appliance to the nearest authorized service facility for examination, repair, or adjustment. For additional help, please contact Chefman Customer Support.
6. Do not let cord hang over edge of table or counter, or touch hot surfaces.
7. Do not place on or near a hot gas or electric burner, or in a heated oven.
8. Always attach plug to appliance first, then plug cord into the wall outlet. To disconnect, turn any control to “off”, then remove plug from wall outlet.
9. Do not use appliance for other than intended use.
10. When alternating between Hot and Cold functions, turn the switch to Off first. After 2 minutes, turn the switch from Cold to Hot.
11. When using in a car, disconnect the plug from the cigarette lighter when not in use or the car is not running.

12. Allow adequate ventilation on all sides of the unit when in operation.

Keep the fan free of obstructions.

13. Save these Instructions.

Warning

This content is compiled from multiple sources and is provided for reference purposes only. It may not be complete or fully applicable to all situations. If you are unable to resolve your issue, please contact the product manufacturer or an authorized service provider for official support.

Document generated by [ManualsFile](#)

