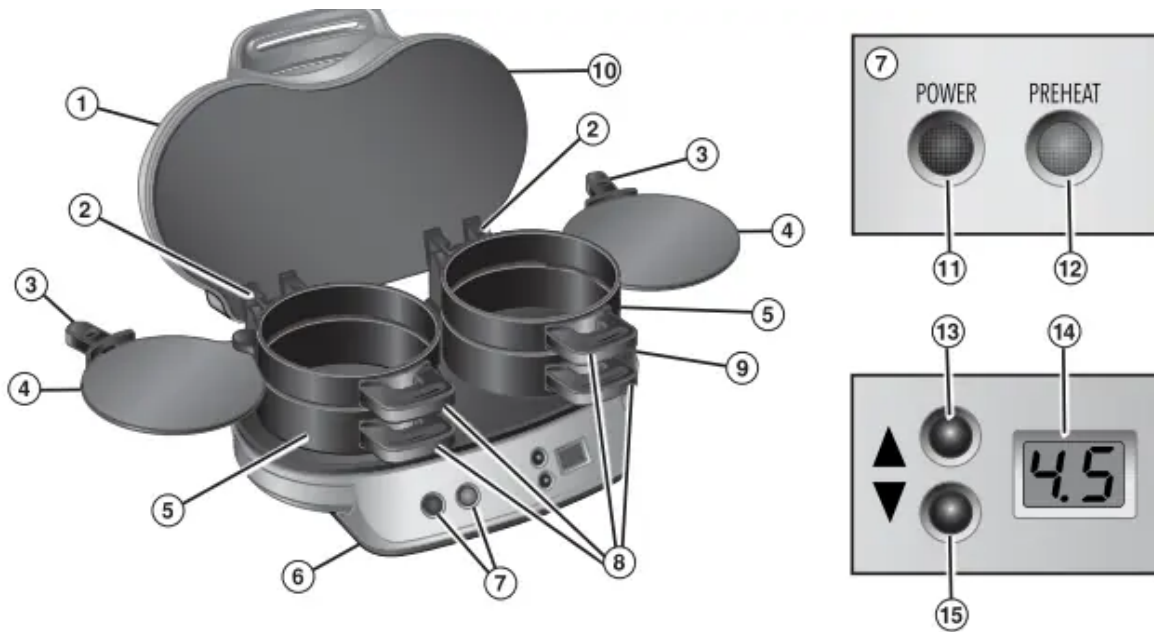


Parts and Features



1. Cover
2. Hinge
3. Cooking Plate Handles
4. Cooking Plate
5. Removable Ring Assembly
6. Base
7. Indicator Light
8. Ring Handle
9. Bottom Heating Plate
10. Top Heating Plate
11. Red POWER Light
12. Green PREHEAT Light
13. Timer Up Button
14. Timer
15. Timer Down Button



Before first use:

Lift Cover to remove each Ring Assembly. Wash both Rings in dishwasher or in hot, soapy water. Rinse and dry. Wipe Top and Bottom Heating Plates with a damp, soapy cloth. Remove soap with a damp cloth; dry thoroughly. Spray Rings with nonstick cooking spray or wipe or brush with vegetable oil.

How to Use

WARNING Burn Hazard. Always use an oven mitt to protect hand when opening cover. Hot surfaces and escaping steam can burn.

1. Plug into outlet. Red POWER Light will glow. Lightly spray Rings with nonstick cooking spray if necessary.
2. Let unit preheat with Cover closed and Cooking Plates rotated in between Rings.

NOTE: Green PREHEAT Light will come on when unit is heated to the correct temperature and will cycle on and off during cooking. It is NOT an indicator when sandwich is ready. Red POWER Light stays on.

3. Use Handles to lift Cover, top rings, and Cooking Plates.
4. Place bottom half of bread (such as an English muffin, small bagel, or biscuit) onto Bottom Heating Plate.
5. Top bread with ingredients such as precooked meats, vegetables, and cheese. Do not overfill Breakfast Sandwich Maker. Overfilling will cause food to spill over Rings and get stuck in the Hinges.
6. Move top rings and Cooking Plates down. Make sure Cooking Plates are rotated securely to back of Rings as far as they will go to prevent leaking of egg.
7. Crack an egg onto each Cooking Plate. Pierce yolk with a fork or toothpick. (You can use a whole large egg, egg white, or a scrambled egg.)
8. Top with the other half of bread.
9. Close Cover. Cook time for sandwiches is 4-5 minutes.

NOTE: Do not push Cover all the way down when loaded with ingredients or when using jumbo eggs. Cover may rise as scrambled eggs cook.

10. Set the Timer: press the Timer Up or Timer Down Button to desired time in half-minute (0.5) increments. If Timer Up or Timer Down Button has not been pressed in 5 seconds, the Timer will start.
11. When there is less than 1 minute remaining, Timer switches to seconds and continues to count down.

12. Timer will beep when time is up. This unit does not turn off automatically at the beep.
13. When finished cooking, rotate Cooking Plate Handles out until they stop.
14. Using an oven mitt, lift Ring Assemblies and Cover by holding Bottom Ring Handles to open. Some sandwiches are easier to remove if Rings are lifted individually.
15. Remove breakfast sandwiches with plastic or wooden utensil. Never use metal. Always wait 2 minutes between cooking sandwiches to ensure Breakfast Sandwich Maker is heated to the correct temperature.
16. Unplug. Allow to cool.

TIPS

- Get your ingredients together before cooking your sandwiches.
- Always keep Cover closed with Rings and Cooking Plates in place when preheating.
- Check to make sure Cooking Plates are in place before preheating, and when adding food.

Care and Cleaning

WARNING Electrical Shock Hazard. Disconnect power before cleaning. Do not immerse cord, plug, or base in any liquid.

1. Unplug. Allow to cool.
2. To remove Ring Assemblies for cleaning, hold Bottom Ring Handles to open, and then lift straight up.
3. Wash Removable Ring Assemblies in top rack only of dishwasher or in hot, soapy water. Rinse and dry. Do not use steel wool, scouring pads, or abrasive cleansers on any part of the unit. Never use sharp or pointed objects for cleaning.
4. DO NOT use "SANI" setting when washing in the dishwasher. "SANI" cycle temperatures could damage your product.
5. Wipe Top and Bottom Heating Plates with a damp, soapy cloth. Remove soap with a damp cloth; dry thoroughly.
6. To replace Ring Assemblies, align Hinges to Base, taller Ring on bottom, with Cooking Plate Handles facing out, and lower.
7. Wipe outside of unit with a damp cloth.

NOTE: If Ring Assemblies are not correctly replaced, Cover won't close properly

Troubleshooting

Low, poor, or slow heating.

- Breakfast Sandwich Maker wasn't preheated until PREHEAT Light was illuminated. Green PREHEAT Light will come on in about 5 to 7 minutes, indicating unit is heated to the correct temperature. Light will cycle on and off during cooking and does not indicate sandwiches are ready.
- Allow 2 minutes between making sandwiches for Breakfast Sandwich Maker to heat to the correct temperature.
- Overfilled. Reduce amount of ingredients in your sandwiches.
- Unit needs to be preheated with Cover closed with Rings and Cooking Plates in place.
- Make sure Cooking Plates are rotated securely to back of Rings as far as they will go, to prevent leaking of eggs, and Cover is closed when preheating.

Egg undercooked, bread not done.

- Extra large eggs, frozen, or very cold ingredients may lengthen cooking time. Add additional cooking time.

Egg overcooked.

- Cooking time is about 5 minutes. Cooking time may vary if you are using small eggs, scrambled eggs, or egg whites. Reduce cooking time for future recipes.

Ingredients stick to Rings or nonstick Cooking Plate.

- Use a plastic or wooden utensil to loosen any baked-on ingredients. Lightly spray with nonstick cooking spray before preheating for next use.

Eggs leak out of Rings.

- Unit is overfilled. Only use large eggs and reduce amount or size of ingredients. Do not press down on Cover.
- Cooking Plates may not have been in the correct position. Make sure Cooking Plates are rotated securely to back of Rings as far as they will go to prevent leaking of egg.
- Used very thin purchased egg whites. Use fresh egg whites or try a different brand of egg whites.
- Make sure unit is properly preheated.

Cover rises when cooking my sandwich.

- The air whisked into large scrambled eggs may cause Cover to rise while the eggs are cooking. Do not press down on Cover.

Bread too brown.

- Higher fat contents and sugars may cause breads to darken. Cook eggs for several minutes without top bread and Cover down. Also, have ingredients ready to assemble so bottom bread does not cook a lot longer than top ingredients. Then add bread to finish cooking your sandwiches.

IMPORTANT SAFEGUARDS

When using electrical appliances, basic safety precautions should always be followed to reduce the risk of fire, electric shock, and/or injury to persons, including the following:

1. Read all instructions.
2. This appliance is not intended for use by persons (including children) with reduced physical, sensory, or mental capabilities, or lack of experience and knowledge, unless they are closely supervised and instructed concerning use of the appliance by a person responsible for their safety.
3. Close supervision is necessary when any appliance is used by or near children. Cleaning and user maintenance shall not be made by children unless they are supervised. Children should be supervised to ensure that they do not play with the appliance.
4. To protect against a risk of electrical shock, do not immerse cord, plug, or any part of the appliance in water or other liquid.
5. Unplug from outlet when not in use and before cleaning. Allow to cool before cleaning. Allow to cool before putting on or taking off parts, or moving the appliance. To unplug, grasp the plug and pull from the outlet. Never pull from the power cord.
6. Do not operate any appliance with a damaged supply cord or plug, or after the appliance malfunctions or has been dropped or damaged in any manner. Supply cord replacement and repairs must be conducted by the manufacturer, its service agent, or similarly qualified persons in order to avoid a hazard. Contact Customer Service for information on examination, repair, or adjustment as set forth in the Limited Warranty.
7. Do not place on or near a hot gas or electric burner or in a heated oven.
8. Do not let cord hang over edge of table or counter or touch hot surfaces, including stove.
9. Do not use outdoors.
10. Do not use appliance for other than intended purpose.

11. Do not touch hot surfaces. Use handles or knobs.
12. Do not operate the appliance by means of an external timer or separate remote-control system.
13. Do not leave the appliance unattended while the appliance is connected to an electrical outlet.
14. Extreme caution must be used when moving an appliance containing hot oil or other hot liquids.
15. The use of accessory attachments not recommended by the appliance manufacturer may cause injuries.
16. To disconnect, turn all controls to OFF; then remove plug from wall outlet. To unplug, grasp the plug and pull from the outlet. Never pull from the power cord.
17. Place the appliance only on a dry, level, and nonflammable surface.
18. During use, provide 4 to 6 inches air space above, behind, and on both sides for air circulation. Do not use on surfaces where heat may cause a problem.
19. Never remove food with any kind of cutting device or other metallic kitchen utensil.
20. Always allow the appliance to cool down completely before putting away. Never wind the cord around the appliance while it is still hot.
21. **CAUTION! HOT SURFACE.** The temperature of accessible surfaces may be high during and after operation.

Other Consumer Safety Information

This appliance is intended for household use only.

WARNING Electrical Shock Hazard: This product is provided with either a polarized (one wide blade) or grounded (3-prong) plug to reduce the risk of electric shock. The plug fits only one way into a polarized or grounded outlet. Do not defeat the safety purpose of the plug by modifying the plug in any way or by using an adapter. If the plug does not fit fully into the outlet, reverse the plug. If it still does not fit, have an electrician replace the outlet.

The length of the cord used on this appliance was selected to reduce the hazards of becoming tangled in or tripping over a longer cord. If a longer cord is necessary, an approved extension cord may be used. The electrical rating of the extension cord must be equal to or greater than the rating of the appliance. If the appliance is of the grounding type, the extension cord should be a grounding-type, 3-wire cord. Care must be taken to arrange the extension cord so that it will not drape over the countertop or tabletop where it can be pulled on by children or accidentally tripped over.

To avoid an electrical circuit overload, do not use another high-wattage appliance on the same circuit with this appliance. If using an extension cord, it should be connected to the unit's power

cord before it is plugged into the outlet. In the case of a power failure, the same procedure should be followed.

Warning

This content is compiled from multiple sources and is provided for reference purposes only. It may not be complete or fully applicable to all situations. If you are unable to resolve your issue, please contact the product manufacturer or an authorized service provider for official support.

Document generated by [ManualsFile](#)

