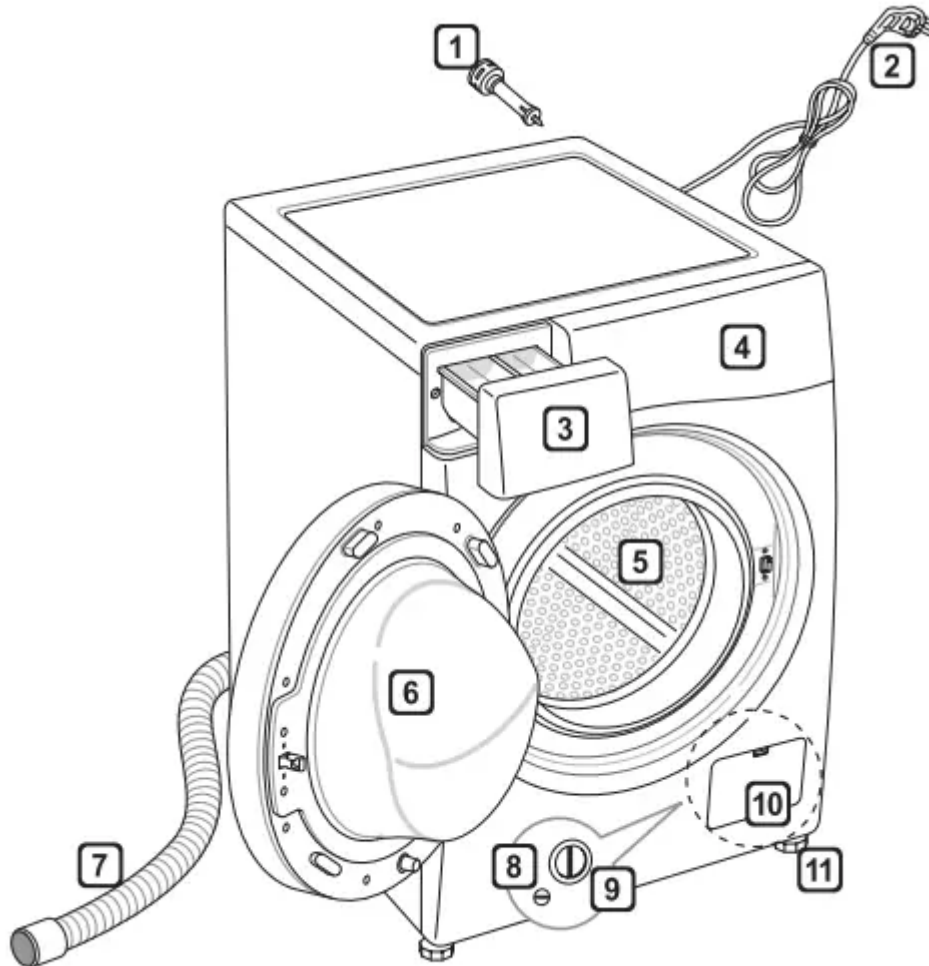


INSTALLATION

Specifications



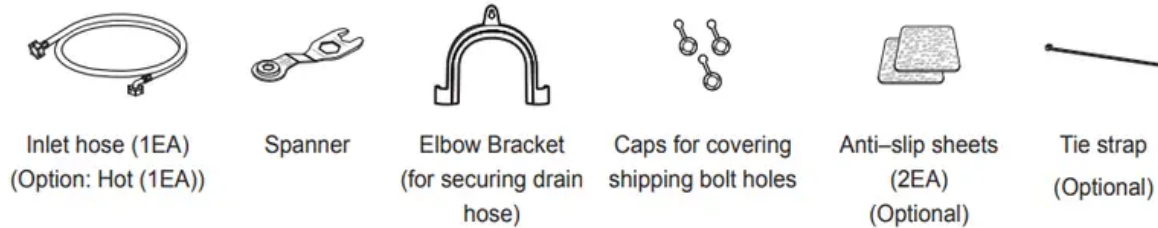
1. Transit bolts
2. Power plug
3. Drawer
4. Control panel
5. Drum
6. Door
7. Drain hose
8. Drain plug
9. Drain pump filter
10. Cover cap (Location may vary depending on products)

11. Adjustable feet

- Power supply : 220–240 V~, 50 Hz
- Size : 600 mm (W) X 640 mm (D) X 850 mm (H)
- Product weight : 70 kg
- Wash Capacity : 12 kg
- Permissible water pressure : 0.1–1.0 MPa (1.0–10.0 kgf / cm²)

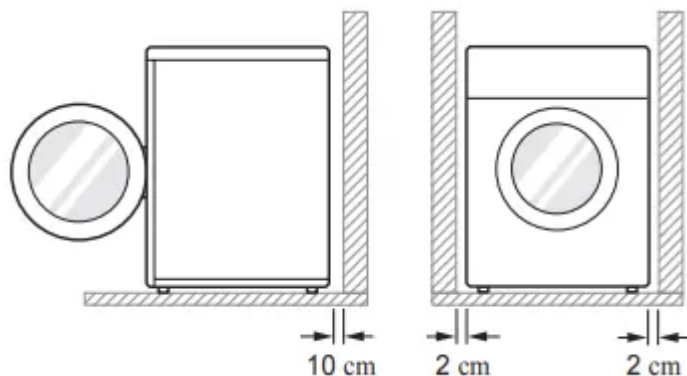
Appearance and specifications may vary without notice to improve the quality of the product.

Accessories



Installation Place Requirements

Location



Level floor : Allowable slope under the entire washing machine is 1°.

Power outlet : Must be within 1.5 meters of either side of the location of the washing machine.

- Do not overload the outlet with more than one appliance.

Additional Clearance : For the wall, 10 cm: rear / 2 cm: right & left side

- Do not place or store laundry products on top of the washing machine at any time.
- These products may damage the finish or controls.

Positioning

- Install the washing machine on a flat hard floor.
- Make sure that air circulation around the washing machine is not impeded by carpets, rugs, etc.
- Never try to correct any unevenness in the floor with pieces of wood, cardboard or similar materials under the washing machine.
- If it is impossible to avoid positioning the washing machine next to a gas cooker or coal burning insulation (85x60 cm) covered with aluminum foil on the side facing the cooker or stove must be inserted between the two appliances.
- Do not install your washing machine in rooms where freezing temperatures may occur. Frozen hoses may burst under pressure. The reliability of the electronic control unit may be impaired at temperatures below freezing point.
- Please ensure that when the washing machine is installed, it is easily accessible for an engineer in the event of a breakdown.
- With the washing machine installed, adjust all four feet using the transit bolt spanner provided to ensure the appliance is stable, and a clearance of approximately 20 mm is left between the top of the washing machine and the underside of any work-top.
- This equipment is not designed for maritime use or for use in mobile installations such as caravans, aircraft etc.

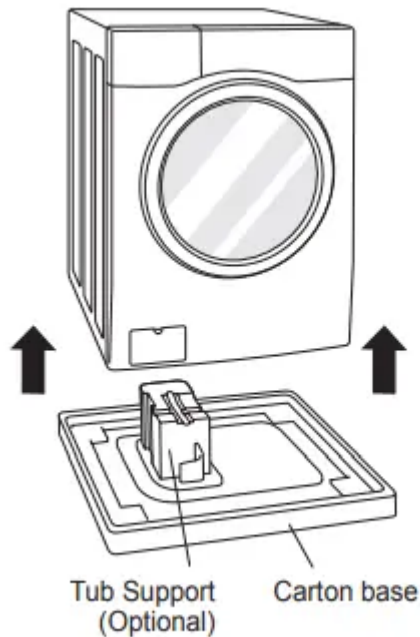
Electrical Connection

- Do not use an extension cord or double adapter.
- Always unplug the washing machine and turn off the water supply after use.
- Connect the washing machine to an earthed socket in accordance with current wiring regulations.
- The washing machine must be positioned so that the plug is easily accessible.
- Repairs to the washing machine must only be carried out by qualified personnel. Repairs carried out by inexperienced persons may cause injury or serious malfunctioning. Contact your local service centre.
- If the washing machine is delivered in winter and temperatures are below freezing, place the washing machine at room temperature for a few hours before putting it into operation.

Unpacking and Removing Shipping Bolts

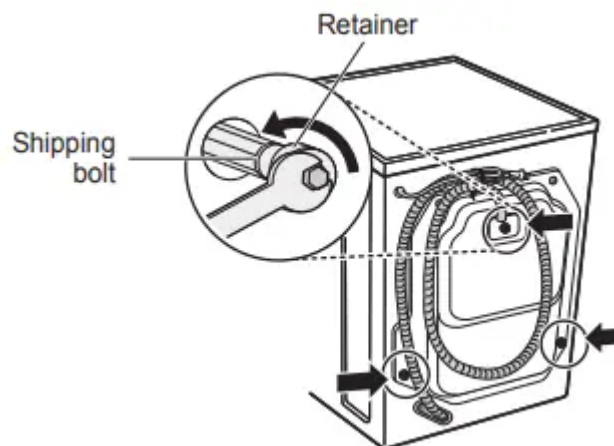
1. Lift the washing machine off the foam base.

- After removing the carton and shipping material, lift the washing machine off the foam base. Make sure the tub support comes off with the base and is not stuck to the bottom of the washing machine.
- If you must lay the washing machine down to remove the carton base, always protect the side of the washing machine and lay it carefully on its side. DO NOT lay the washing machine on its front or back.
-



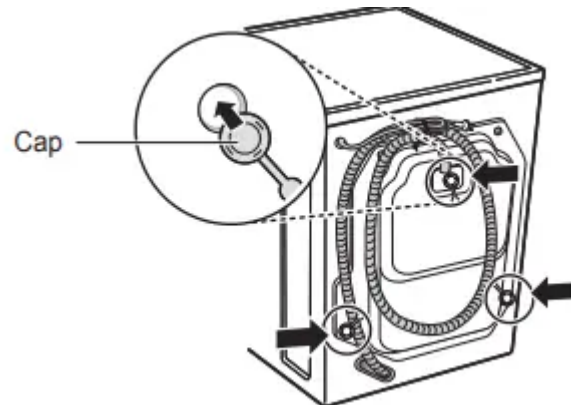
2. Remove the bolt assemblies.

- Starting with the bottom two shipping bolts, use the spanner (included) to fully loosen all shipping bolts by turning them counterclockwise. Remove the bolt assemblies by wiggling them slightly while pulling them out.
-



3. Install the hole caps.

- Locate the hole caps included in the accessory pack and install them in the shipping bolt holes



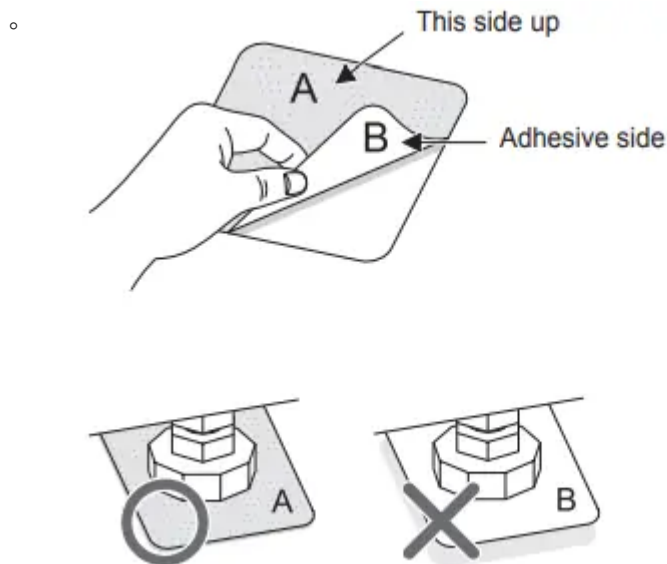
NOTE

- Save the bolt assemblies for future use. To prevent damage to internal components, DO NOT transport the washing machine without reinstalling the shipping bolts.
- Failure to remove shipping bolts and retainers may cause severe vibration and noise, which can lead to permanent damage to the washing machine. The cord is secured to the back of the washing machine with a shipping bolt to help prevent operation with shipping bolts in place.

Using Non-Skid Pads (Optional)

If you install the washing machine on a slippery surface, it may move because of excessive vibration. Incorrect leveling may cause malfunction through noise and vibration. If this occurs, install the non-skid pads under the leveling feet and adjust the level.

1. Clean the floor to attach the non-skid pads.
 - Use a dry rag to remove and clean foreign objects and moisture. If moisture remains, the non-skid pads may slip.
2. Adjust the level after placing the washing machine in the installation area.
3. Place the adhesive side of the non-skid pad on the floor.
 - It is most effective to install the non-skid pads under the front legs. If it is difficult to place the pads under the front legs, place them under the back legs.

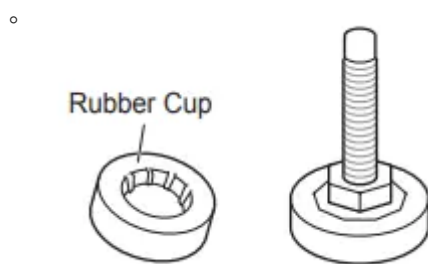


4. Ensure the washing machine is level.

- Push or rock the top edges of the washing machine gently to make sure that the washing machine does not rock. If the washing machine rocks, level the washing machine again.

Wooden Floors (Suspended Floors)

- Wooden floors are particularly susceptible to vibration.
- To prevent vibration we recommend you place rubber cups at least 15 mm thick of the each foot of the washing machine, secured to at least two floor beams with screws



- If possible install the washing machine in one of the corners of the room, where the floor is more stable.
- Fit the rubber cups to reduce vibration.
- You can obtain rubber cups (p/no.4620ER4002B) from the LG Service Centre.

NOTE

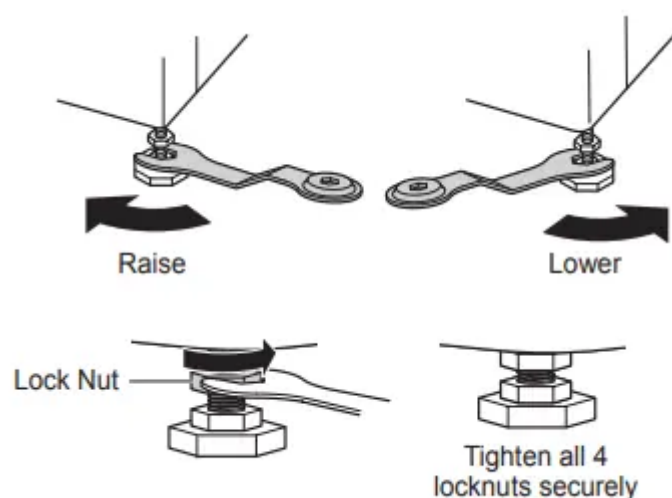
- Proper placement and leveling of the washing machine will ensure long, regular, and reliable operation.
- The washing machine must be 100% horizontal and stand firmly in position.

- It must not 'Seesaw' across corners under the load.
- The installation surface must be clean, free from floor wax and other lubricant coatings.
- Do not let the feet of the washing machine get wet. Failure to do so may cause vibration or noise.

Leveling the Washing Machine

If the floor is uneven, turn the adjustable feet as required (Do not insert pieces of wood etc. under the feet). Make sure that all four feet are stable and resting on the floor and then check that the appliance is perfectly level (Use a spirit level).

- Once the washing machine is level, tighten the lock nuts up towards the base of the washing machine. All lock nuts must be tightened.



- • Diagonal Check
 - When pushing down the edges of the washing machine top plate diagonally, the washing machine should not move up and down at all (Check both directions). If the washing machine rocks when pushing the machine top plate diagonally, adjust the feet again.

NOTE

- Timber or suspended type flooring may contribute to excessive vibration and unbalance.
- If the washing machine is installed on a raised platform, it must be securely fastened in order to eliminate the risk of falling off.

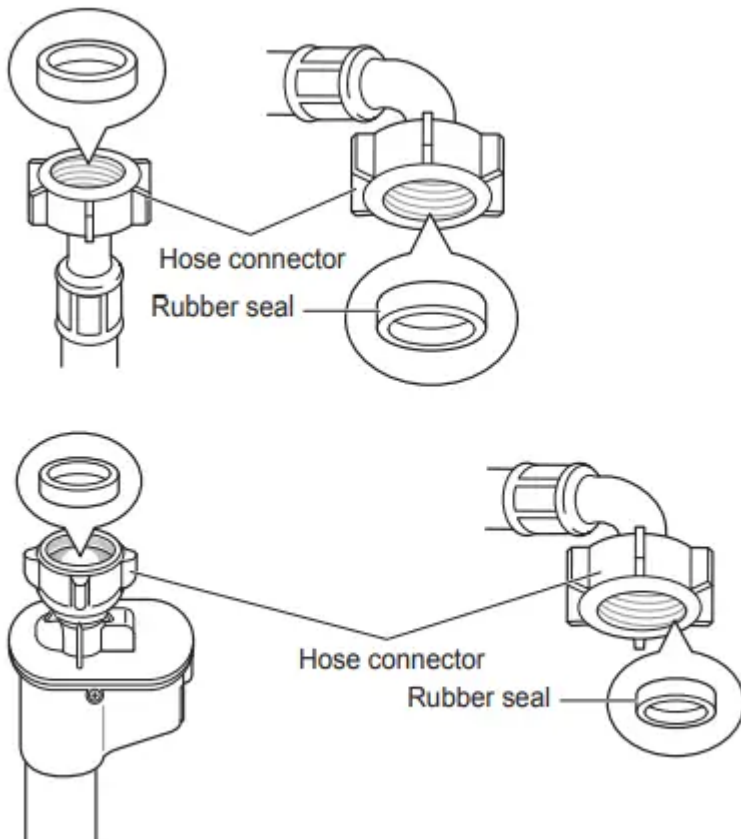
Connecting Inlet Hose

- Water supply pressure must be between 0.1 MPa and 1.0 MPa (1.0–10.0 kgf/cm²).
- Do not strip or crosstread when connecting inlet hose to the valve.

- If the water supply pressure is more than 1.0 MPa, a decompression device should be installed.
- Periodically check the condition of the hose and replace the hose if necessary.

Checking Rubber Seal Inlet Hose

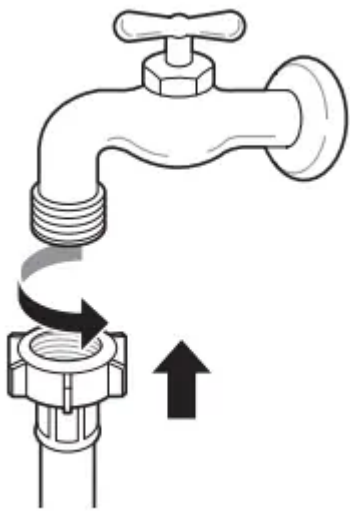
Two rubber seals are supplied with the water inlet hoses. They are used for preventing water leaks. Make sure the connection to taps is sufficiently tight.



Connecting Hose to Water Tap

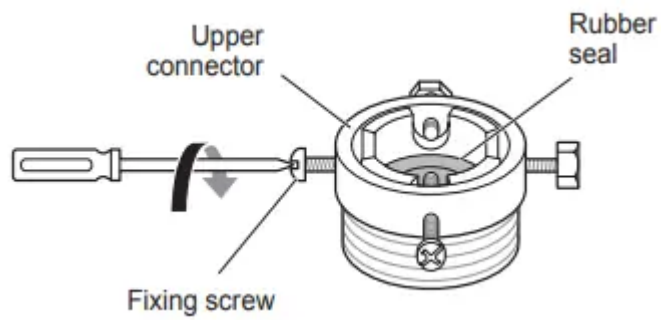
Connecting screw-type hose to tap with thread

Screw the hose connector onto the water supply tap.

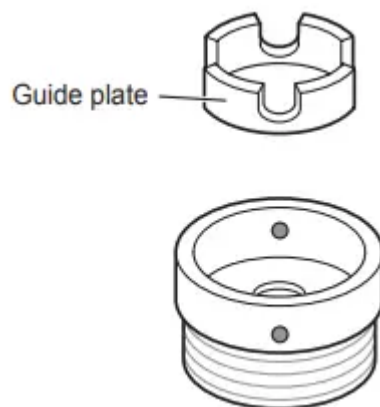


Connecting screw-type hose to tap without thread

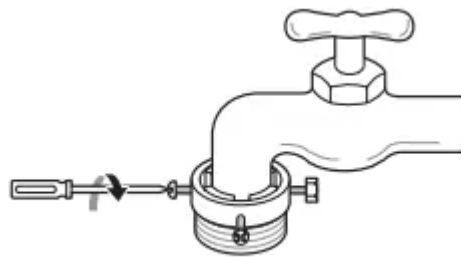
1. Loose the four fixing screws.



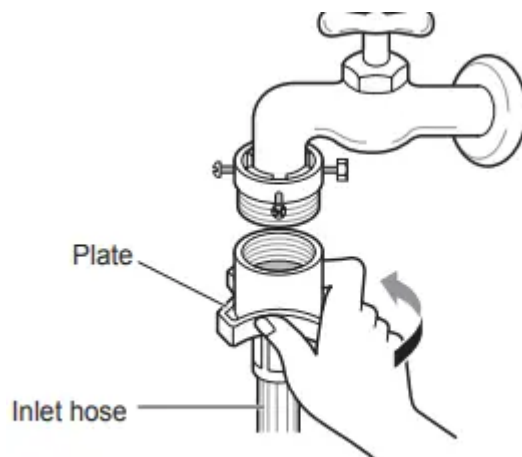
2. Remove the guide plate if the tap is too large to fit the adapter.



3. Push the adapter onto the end of the tap so that the rubber seal forms a watertight connection. Tighten the four fixing screws.

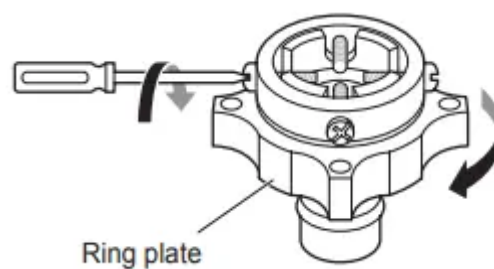


4. Push the inlet hose vertically upwards so that the rubber seal within the hose can adhere completely to the tap and then tighten it by screwing it to the right.

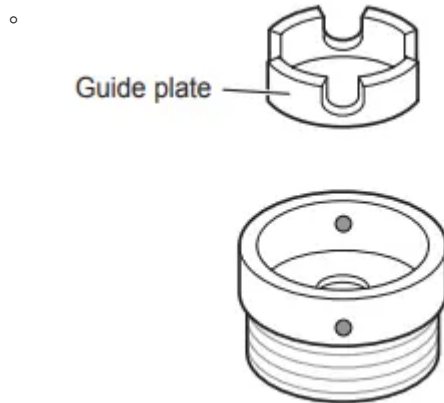


Connecting one touch type hose to tap without thread

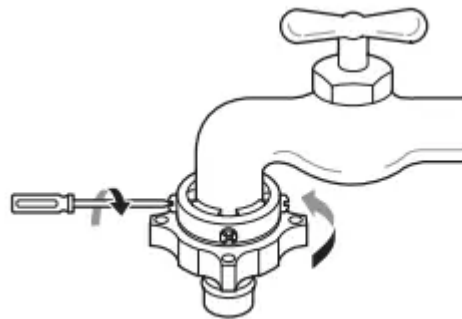
1. Unscrew the adapter ring plate and loose the four fixing screws.



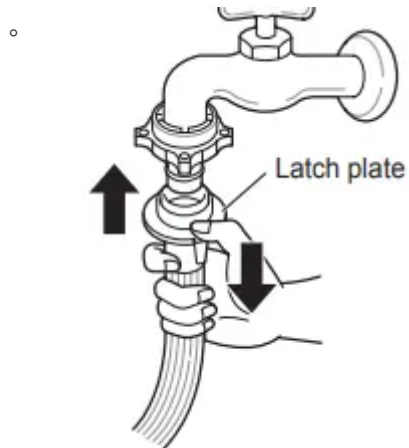
2. Remove the guide plate if the tap is too large to fit the adapter.



3. Push the adapter onto the end of the tap so that the rubber seal forms a watertight connection. Tighten the adapter ring plate and the four fixing screws.



4. Pull the connector latch plate down, push the inlet hose onto the adapter, and release the connector latch plate. Make sure the adapter locks into place.



NOTE

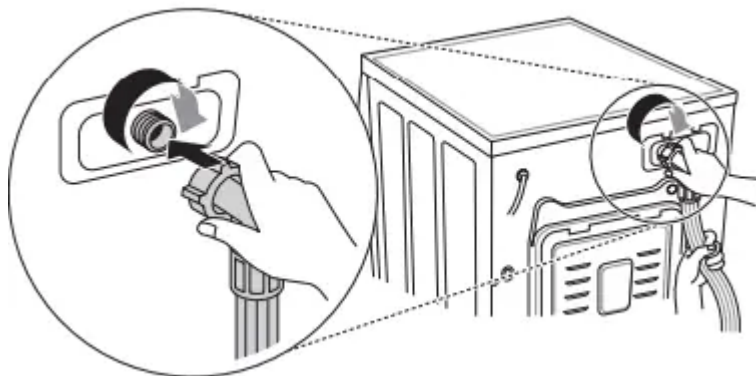
- After connecting the inlet hose to the water tap, turn on the water tap to flush out foreign substances (dirt, sand, sawdust, etc.) in the water lines. Let the water drain into a bucket, and check the water temperature.

Connecting Hose to Washing Machine

Make sure that there are no kinks in the hose and that they are not crushed.

When your washing machine has two valves.

- The Inlet hose with the red connector is for the hot water tap.



NOTE

- After completing connection, if water leaks from the hose, repeat the same steps. Use the most conventional type of tap for the water supply. In case the tap is square or too big, remove the guide plate before inserting the tap into the adaptor.

Using the horizontal tap

Horizontal tap



Extension tap

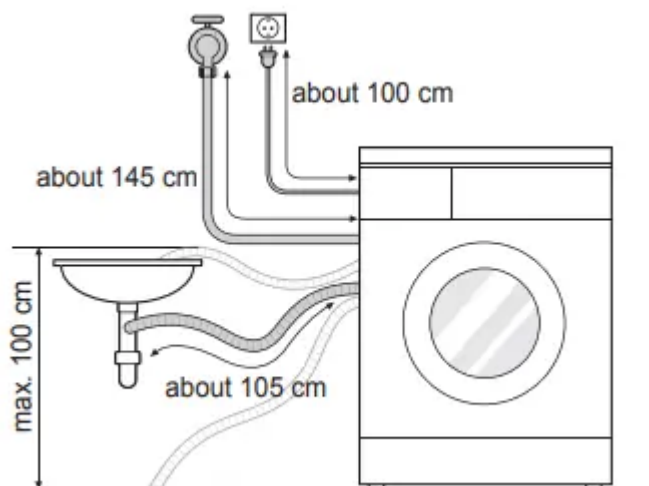


Square tap



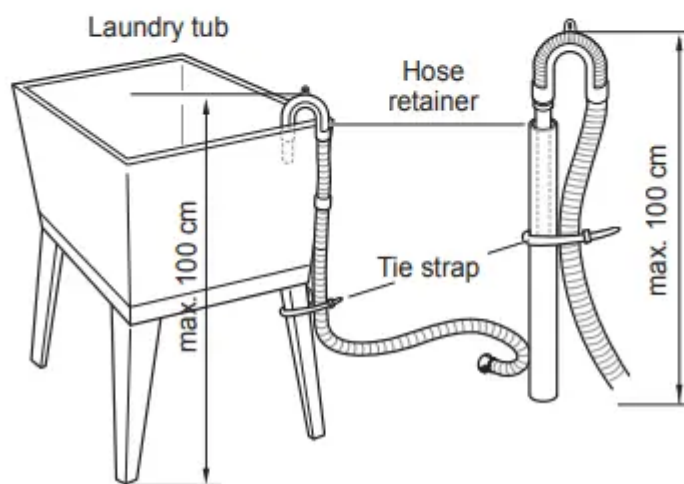
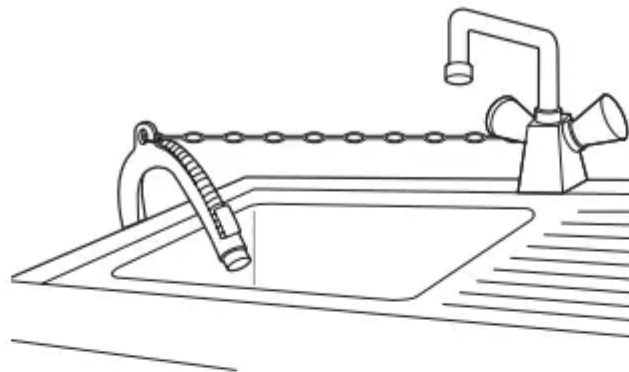
Installation of Drain Hose

- The drain hose should not be placed higher than 100 cm above the floor. Water in the washing machine may not drain or may drain slowly.
- Securing the drain hose correctly will protect the floor from damage due to water leakage.
- If the drain hose is too long, do not force it back into the washing machine. This will cause abnormal noise.



- When installing the drain hose to a sink, secure it tightly with string.

- Securing the drain hose correctly will protect the floor from damage due to water leakage.



Electrical Connections (In the UK Only)

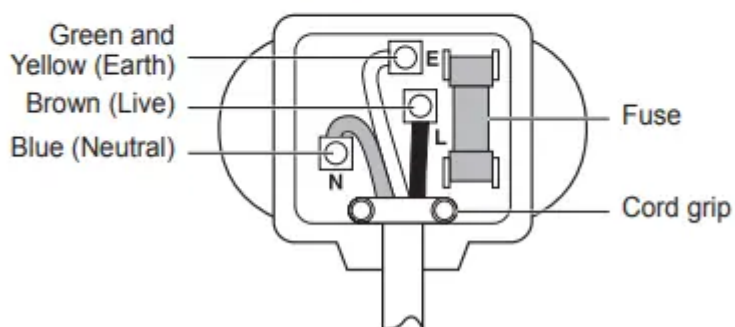
The wires in the mains lead are coloured in accordance with the following code:

Green and Yellow: Earth

Blue: Neutral

Brown: Live

This appliance must be earthed.



As the colours of the wires in the mains lead of this apparatus may not correspond with the coloured markings identifying the terminals in your plug, proceed as follows: The green and yellow wire must be connected to the terminal in the plug which is marked with the letter E or by the earth symbol (\perp) or coloured Green or Green and Yellow.

The blue wire must be connected to the terminal which is marked with the letter N or coloured Black.

The brown wire must be connected to the terminal which is marked with the letter L or coloured Red. If a 13 amp (BS 1363) plug is used, fit a 13 amp BS 1362 fuse.

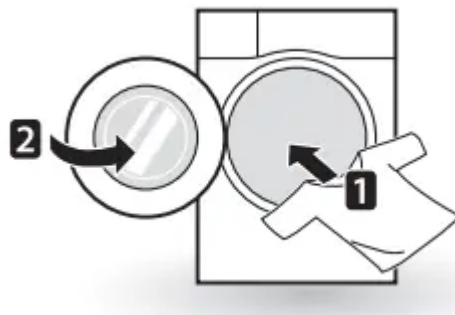
OPERATION

Using the Washing Machine

Before the first wash, select a cycle (Cotton 60 °C, add a half load of detergent), allow the washing machine to wash without clothing. This will remove residue and water from the drum that may have been left during manufacturing.

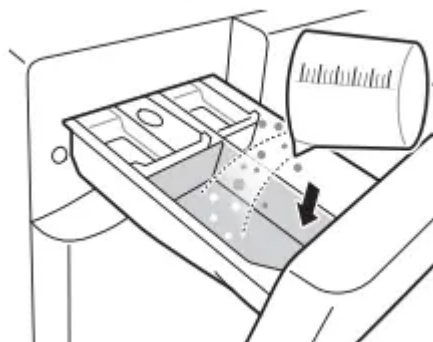
1. Sort laundry and load items.

- Sort laundry by fabric type, soil level, colour and load size as needed. Open the door and load items into the washing machine.



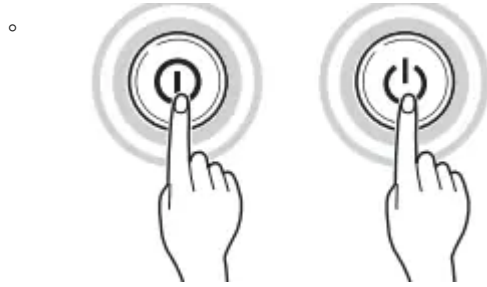
2. Add cleaning products and/or detergent and softener.

- Add the proper amount of detergent to the detergent dispenser drawer. If desired, add bleach or fabric softener to the appropriate areas of the dispenser **or the dispenser.**



3. Turn on the washing machine.

- Press the Power button to turn ON the washing machine.



4. Choose the desired washing cycle.

- Press the cycle button repeatedly or turn the cycle selector knob until the desired cycle is selected.



5. Begin cycle.

- Press the Start/Pause button to begin the cycle. The washing machine will agitate briefly without water to measure the weight of the load. If the Start/Pause button is not pressed within 5 minutes, the washing machine will shut off and all settings will be lost.



6. End of cycle.

- When the cycle is finished, a melody will sound. Immediately remove your clothing from the washing machine to reduce wrinkling. Check around the door seal when removing the load for small items that may be caught in the seal.

Sorting laundry

1. Look for a care label on your clothes.

- This will tell you about the fabric content of your garment and how it should be washed.
- Symbols on the care labels



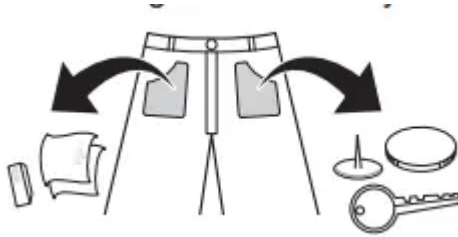
2. Sorting laundry.

- To get the best results, sort clothes into loads that can be washed with the same wash cycle.
- Different fabrics need to be washed at varying temperatures and spin speeds.
- Always sort dark colours from pale colours and whites. Wash separately as dye and lint transfer can occur causing discolouration of white and pale garments. If possible, do not wash heavily soiled items with lightly soiled ones.
 - Soil (Heavy, Normal, Light) Separate clothes according to amount of soil.
 - Colour (White, Lights, Darks) Separate white fabrics from coloured fabrics.
 - Lint (Lint producers, Collectors) Wash lint producers and lint collectors separately.

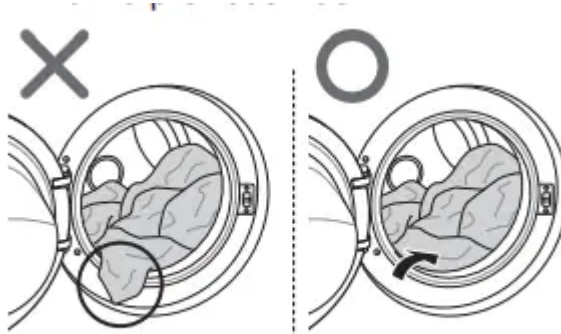
3. Caring before loading.

- Combine large and small items in a load. Load large items first.
- Large items should not be more than half the total wash load. Do not wash single items. This may cause an unbalanced load. Add one or two similar items.

- Check all pockets to make sure that they are empty. Items such as nails, hair clips, matches, pens, coins and keys can damage both your washing machine and your clothes.



- Close zippers, hooks and strings to make sure that these items don't snag on other clothes.
- Pre-treat dirt and stains by brushing a small amount of detergent dissolved water onto stains to help lift dirt.
- Check inside the drum and remove any items from a previous wash.



Adding Cleaning Products

Detergent Dosage

- Detergent should be used according to the instruction of the detergent manufacturer and selected according to type, colour, soiling of the fabric and washing temperature.
- If too much detergent is used, too many suds can occur and this will result in poor washing results or cause heavy load to the motor.
- If you wish to use liquid detergent follow the guidelines provided by the detergent manufacturer.
- You can pour liquid detergent directly into the main detergent drawer if you are starting the cycle immediately.
- Do not use liquid detergent if you are using Time Delay, or if you have selected Pre Wash, as the liquid may harden.
- If too many suds occur, reduce the detergent amount.




- Detergent usage may need to be adjusted for water temperature, water hardness, size and soil level of the load. For best results, avoid oversudsing.
- Refer to the label of the clothes, before choosing the detergent and water temperature:
- When using the washing machine, use designated detergent for each type of clothing only:
 - General powdered detergents for all types of fabric
 - Powdered detergents for delicate fabric
 - Liquid detergents for all types of fabric or designated detergents only for wool
 - For better washing performance and whitening, use detergent with the general powdered bleach.
 - Detergent is flushed from the dispenser at the beginning of the cycle.

NOTE

- Do not let the detergent harden. Doing so may lead to blockages, poor rinse performance or odour.
- Full load : According to manufacturer's recommendation.
- Part load : 3/4 of the normal amount
- Minimum load : 1/2 of full load

Adding Detergent and Fabric Softener

Adding detergent

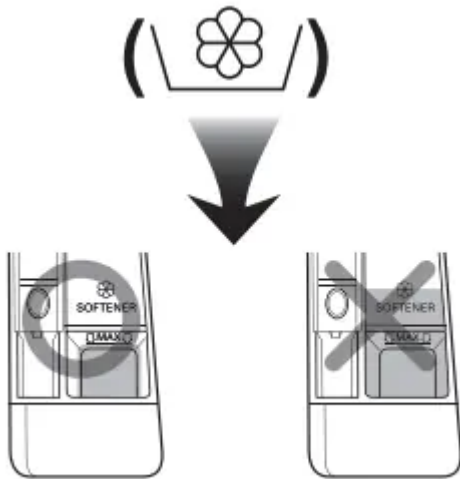
- Main wash only → 
- Pre wash+Main wash →  • 

NOTE

- Too much detergent, bleach or softener may cause an overflow.
- Be sure to use the appropriate amount of detergent.

Adding fabric softener

- Do not exceed the maximum fill line. Overfilling can cause early dispensing of the fabric softener, which may stain clothes. Close the dispenser drawer slowly

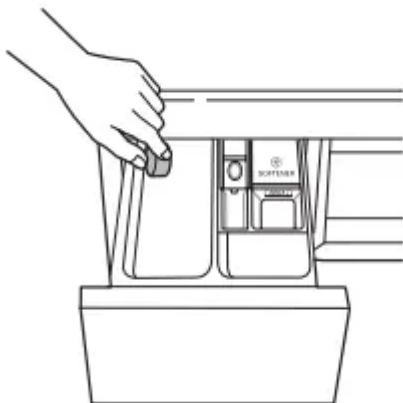


- Do not leave the fabric softener in the detergent drawer for more than 2 days (Fabric softener may harden).
- Softener will automatically be added during the last rinse cycle.
- Do not open the drawer when water is being supplied.
- Solvents (benzene, etc) should not be used.

NOTE Do not pour fabric softener directly on the clothes.

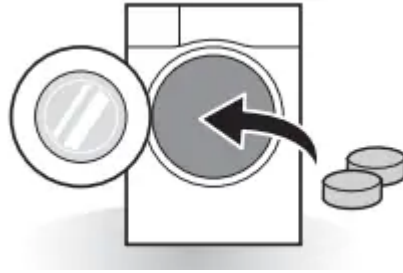
Adding water softener

- A water softener, such as Anti-limescale (e.g. Calgon) can be used to cut down on the use of detergent in extremely hard water areas. Dispense according to the amount specified on the packaging. First add detergent and then the water softener.
- Use the quantity of detergent required for soft water.

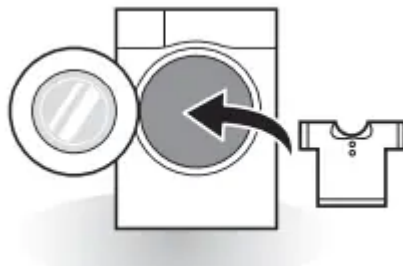


Using tablet

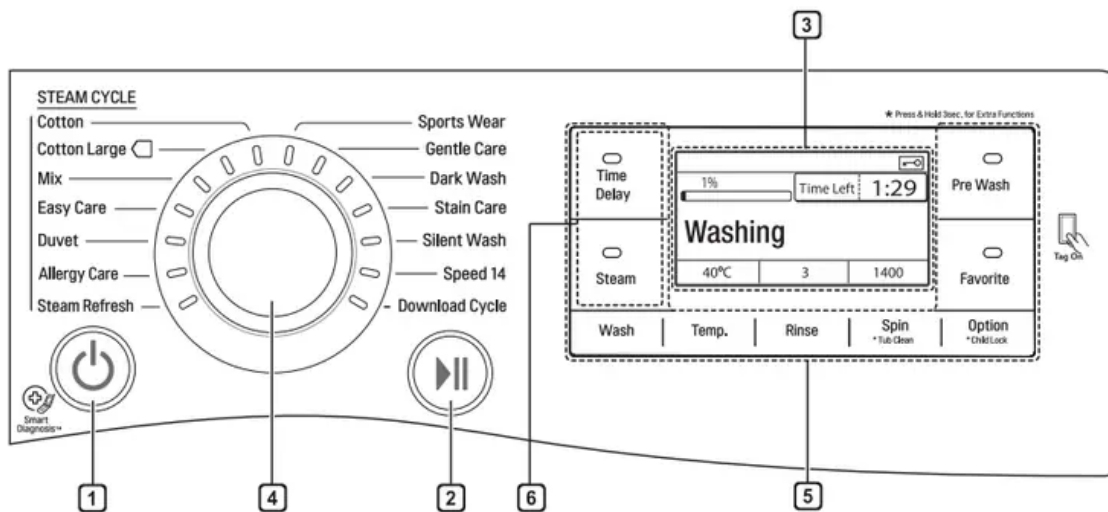
1. Open the door and put tablets into the drum.



2. Load the laundry into the drum and close the door.



Control Panel




1. Power button

- Press the Power button to turn the washing machine on.
- To cancel the Time Delay function, the Power button should be pressed.

2. Start/Pause button

- This Start/Pause button is used to start the wash cycle or pause the wash cycle.
- If a temporary stop of the wash cycle is needed, press the Start/Pause button.

3. Display

- The display shows the settings, estimated time remaining, options, and status messages. When the product is turned on, the default settings in the display will illuminate.
- The display shows estimate time remaining. While the size of the load is being calculated automatically, blinking  or 'Detecting' appears.

4. Programme Dial

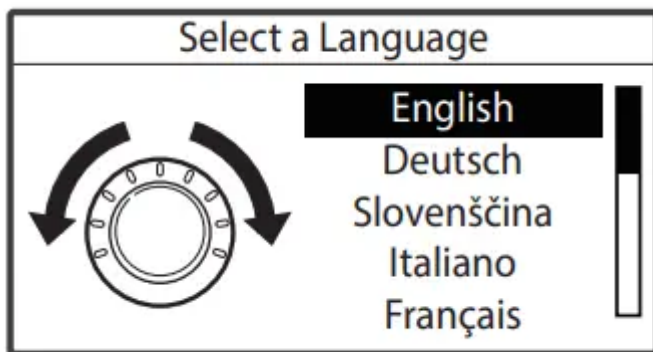
- Programmes are available according to laundry type.
- Lamp will light up to indicate the selected programme.

5. Options

- This allows you to select an additional cycle and will light when selected.
- Use these buttons to select the desired cycle options for the selected cycle.

6. Language Selection

- Turn the power on and then press the Time Delay and Steam button simultaneously to change the language. Then the 'Select a Language' menu is displayed. A language can be changed by turning the programme dial.






Programme Table

Washing Programme

Programme	Description	Fabric Type	Proper Temp.	Maximum Load
Cotton	Provides better performance by combining various drum motions.	Coloured fast garments (shirts, nightdresses, pajamas, etc) and normally soiled cotton load (underwear).	40°C (Cold to 95°C)	Rating
Cotton Large	Provides optimised washing performance for large amount of laundry with less energy consumption.		60°C (Cold to 60°C)	
Easy Care	This cycle is suitable for casual shirts that do not need ironing after washing.	polyamide, acrylic, polyester	40°C (Cold to 60°C)	5.0 kg
Mix	Enables various fabrics to be washed simultaneously.	Various kind of fabrics except special garments (silk/delicate, sports wear, dark clothes, wool, duvet/curtains).	40°C (Cold to 40°C)	4.5 kg
Allergy Care	Helps to remove allergens such as house mites, pollen, and cat fur.	cotton, underwear, pillow covers, bed sheets, baby wear	60 °C	
Silent Wash	Provides less noise and vibration and saves money by using overnight electricity.	Color fast garments (shirts, nightdresses, pajamas, etc) and lightly soiled white cotton (underwear).	40°C (Cold to 60°C)	6.0 kg

Steam Refresh	Helps to remove wrinkles within 20mins with steam (Clothes may be wet. You can put them on after hang out to dry for 10–30min).	cotton mixed, polyester mixed dress shirts, blouses	No choice	3 items
Duvet	This cycle is for large items such as bed covers, pillows, sofa covers, etc.	Cotton bedding except special garments (delicates, wool, silk, etc.) with filling: duvets, pillows, blankets, sofa covers with light filling	40°C (Cold to 40°C)	1 single size
Sports Wear	This cycle is suitable for sports wear such as jogging clothes and running wear.	coolmax, gore-tex, fleece and sympatex		
Dark Wash	If it's possible for clothes to decolourate, please use this cycle. The cycle prevent decolorization. (Please use detergent for colored fabrics.)	Dark garments made from cotton or mixed fabrics.	20°C (Cold to 40°C)	3.0 kg

Programme	Description	Fabric Type	Proper Temp.	Maximum Load
Speed 14	This cycle provides fast washing time for small loads and lightly soiled clothes.	Coloured laundry which is lightly soiled fast. CAUTION : Use less than 20g of detergent (for 2.0kg load) otherwise detergent may remain on the clothes.	20°C (20°C to 40°C)	2.0 kg
Gentle Care	This cycle is for hand and machine washable delicate clothes such as washable wool, lingerie, dresses etc. (Use detergent for machine washable woolens).	wool, hand washable clothes, delicate, easily damaged laundry	20°C (Cold to 30°C)	1.5 kg
Stain Care	Wash off several kinds of stain such as wine, juice, dirt, etc. (Water temperature is increased step by step for washing various stains.)	cotton blended fabrics, NO delicate clothes	60°C (30°C to 60°C)	3.0 kg
Download Cycle	For downloadable cycles. If you did not download any cycles, the default is Rinse+Spin.			

- Water Temperature: Select the appropriate water temperature for chosen wash cycle. Always follow garment manufacturer's care label or instructions when washing.
- Set program at "Cotton Large 40°C (Half Load)", "Cotton Large 60°C (Half Load)", "Cotton Large 60°C (Full Load)" option for test in conformity with EN60456 and Regulation 1015/2010.
 - Standard 60°C cotton program : Cotton Large  + 60 °C (Full Load)
 - Standard 60°C cotton program : Cotton Large  + 60 °C (Half Load)
 - Standard 40°C cotton program : Cotton Large  + 40 °C (Half Load)
 - (They are suitable to clean normally soiled cotton laundry.)
 - (They are the most efficient programmes in terms of combined energy and water consumptions for washing that type of cotton laundry.)
 - * Actual water temperature may differ from the declared cycle temperature.
- The test results depend on water pressure, water hardness, water inlet temperature, room temperature, type and amount of load, degree of soiling utilized detergent, fluctuations in the main electricity supply and chosen additional options.

NOTE

- Neutral detergent is recommended.

Extra Options

Programme	Time Delay	Steam	Steam Softener	Pre Wash	Favorite	Turbo Wash	Intensive	Medic Rinse	Rinse+Spin
Cotton	●	●	●	●	●	●	●	●	●
Cotton Large	●	●	●	●	●	●		●	●
Easy Care	●	●	●	●	●	●	●	●	●
Mix	●	●	●	●	●	●	●	●	●
Allergy Care	●	●*			●		●	●	●
Silent Wash	●				●		●		●
Steam Refresh		●*			●				
Duvet	●	●			●		●		●
Sports Wear	●				●		●		●
Dark Wash	●				●		●		●
Speed 14	●				●	●*			●
Gentle Care	●				●				●
Stain Care	●			●*	●			●	●

* : This option is automatically included in the cycle and can not be deleted



Operating Data

Programme	Max RPM
Cotton	1400
Cotton Large	1400
Easy Care	1200
Mix	1400
Allergy Care	1400
Silent Wash	1000
Steam Refresh	-
Duvet	1000
Sports Wear	800
Dark Wash	1400
Speed 14	800
Gentle Care	800
Stain Care	1400

NOTE • Information of main washing programmes at half load.

Program	Time in minutes	Remaining moisture content	Water in Liter	Energy in kWh
Cotton (40 °C)	101	44 %	55	0.45
Cotton Large (60 °C)	235	44 %	44	0.46

Option Cycle

Time Delay

You can set a time delay so that the washing machine will start automatically and finish after a specified time interval.

1. Press the Power button.
2. Select a washing programme.
3. Press the Time Delay button and set time required.
4. Press the Start/Pause button.

NOTE • The delay time is the time to the end of the programme, not the start. The actual running time may vary due to water temperature, wash load and other factors.

Steam (Optional)

Steam features enhanced washing performance with low energy consumption. Steam Softener sprays steam after a spinning cycle to reduce creases and make the laundry fluffy.

1. Press the Power button.
2. For Steam option, select steam cycles. For Steam Softener option, select steam softener cycles.
3. The following cycle is selected depending on the number of times you press the Steam button.
 - Once: Steam
 - Twice: Steam Softener
 - Three times: Steam and Steam Softener
4. Press the Start/Pause button.

Steam

- For heavily stained clothes, underwear or baby clothes.
- Available with the Cotton, Cotton Large, Mix, Easy Care, Duvet, Allergy Care, Steam Refresh cycles.
- Do not use Steam for easily discoloured clothes and delicates such as wool, silk

Steam Softener

- Good to soften and fluff fabrics after air drying.
- Available with the Cotton, Cotton Large, Mix, Easy Care cycles.
- Do not use Steam Softener for easily discoloured clothes and delicates such as wool, silk.
- Depending on the kind of fabric, softening performance may be different.

Pre Wash

If the laundry is heavily soiled, the Pre Wash cycle is recommended.

1. Press the Power button.
2. Select a washing programme.
3. Press the Pre Wash button.
4. Press the Start/Pause button.

Favorite

Favorite programme allows you to store a customized wash cycle for future use.

1. Press the Power button.
2. Select a washing programme.

3. Select the cycle (Washing method, number of rinses, spin speed, water temperature etc.).
4. Press and hold the Favorite button for 3 seconds. The favorite programme is now stored for future use. To reuse the programme, select favorite programme and press the Start/Pause button.

Wash

Turbo Wash

Wash cycle in under 1 hour with energy and water saving. (based on half of laundry)

Intensive

If the laundry is normal and heavily soiled, the Intensive option is effective.

Temp.

The Temp. button selects the wash and rinse temperature combination for the selected cycle. Press this button until the desired setting is lit. All rinses use cold tap water.

- Select the water temperature suitable for the type of load you are washing. Follow the garment fabric care labels for best results.

Rinse

Rinse+

Add rinse once.

Rinse++

Add rinse twice.

Normal + Hold

The course is paused until start button is pressed again when rinse is finished.

Rinse+ +

Hold Add rinse once then after rinsing process, the course is paused until Start/Pause button is pressed again.

Spin

- Spin speed level can be selected by pressing the Spin button repeatedly.
 - Spin Only
1. Press the Power button.
 2. Press the Spin button to select RPM.
 3. Press the Start/Pause button.

NOTE • When you select 'No Spin', it will still rotate for a short time to drain quickly

Option

Medic Rinse

For best results or for cleaner rinsing. This allows the final rinse to be heated to 40 degrees.

Rinse + Spin

This can be helpful in preventing fresh stains from setting in fabrics. This is a separate cycle.

Child Lock ()

Select this function to lock the buttons on the control assembly to prevent tampering

Locking the control panel

1. Press and hold the Child Lock button for 3 seconds.
2. A beeper will sound, and 'Child lock is on.' will appear on the display. When the child lock is set, all buttons are locked except the Power button.

NOTE

- Turning off the power will not reset the child lock function. You must deactivate child lock before you can access any other functions.

Unlocking the control panel

Press and hold the Child Lock button for 3 seconds.

- A beeper will sound and the remaining time for the current programme will reappear on the display.

Beep On / Off

1. Press the Power button.
2. Press the Start/Pause button.
3. Press and hold the Wash and Temp. button simultaneously for 3 seconds to set the Beep on/off function.

NOTE

- Once the Beep on/off function is set, the setting is memorized even after the power is turned off.
- If you want to turn the Beeper off, simply repeat this process.

Using Smart Function (Optional)

Using the Tag On Function

The Tag On function allows you to conveniently use the LG Smart Diagnosis™ and Cycle Download features to communicate with your appliance right from your own smart phone.

- The Tag On function can only be used with most smart phones equipped with the NFC function and based on the Android operating system (OS).

Installation of the application

- Search "LG Smart Laundry" on the Google Play Store from your smart phone.




Using the Application

LG Smart Laundry application allows you to use various features for your convenience.

- Cycle Download
- Smart Diagnosis™
- Tag On Cycle Set
- Laundry Stats

NOTE

- Press  in the LG Smart Laundry application for a more detailed guide on how to use the Tag On function.
- Depending on the smart phone manufacturer and Android OS version, the NFC activation process may differ. Refer to the manual of your smart phone for details.
- Because of the characteristics of NFC, if the transmission distance is too far, or if there is a metal sticker or a protective case on the phone, transmission will not be good. In some cases, NFC-equipped phones may be unable to transmit successfully.
- The content found in this manual may differ depending on the version of "LG Smart Laundry" application, and it may be modified without informing customers.

MAINTENANCE

WARNING

- Unplug the washing machine before cleaning to avoid the risk of electric shock. Failure to follow this warning may result in serious injury, fire, electric shock, or death.

- Never use harsh chemicals, abrasive cleaners, or solvents to clean the washing machine. They may damage the finish.

Cleaning your Washing Machine

Care After Wash

- After the cycle is finished, wipe the door and the inside of the door seal to remove any moisture.
- Leave the door open to dry the drum interior.
- Wipe the body of the washing machine with a dry cloth to remove any moisture.

Cleaning the Exterior

Proper care of your washing machine can extend its life.

Door:

- Wash with a damp cloth on the outside and inside and then dry with a soft cloth.


Exterior:

- Immediately wipe off any spills.
- Wipe with a damp cloth.
- Do not press the surface or the display with sharp objects

Care and Cleaning of the Interior

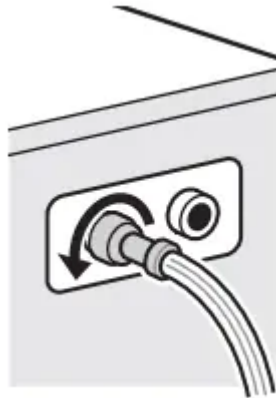
- Use a towel or soft cloth to wipe around the washing machine door opening and door glass.
- Always remove items from the washing machine as soon as the cycle is complete. Leaving damp items in the washing machine can cause wrinkling, colour transfer, and odour.
- Run the Tub Clean cycle once a month (or more often if needed) to remove detergent buildup and other residue.

Cleaning the Water Inlet Filter

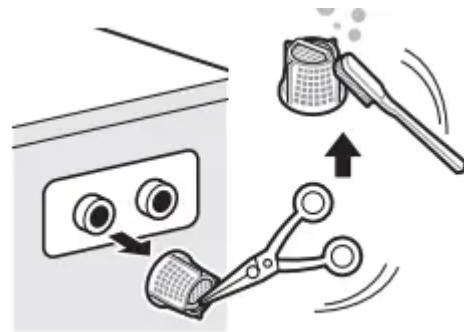
- Turn off the stopclock if the washing machine is to be left for any length of time (e.g. holiday), especially if there is no floor drain (gully) in the immediate vicinity.
-  will be displayed on the control panel when water is not entering the detergent drawer.

- If water is very hard or contains traces of lime deposit, the water inlet filter may become clogged. It is therefore a good idea to clean it occasionally.

1. Turn off the water tap and unscrew the water inlet hose.



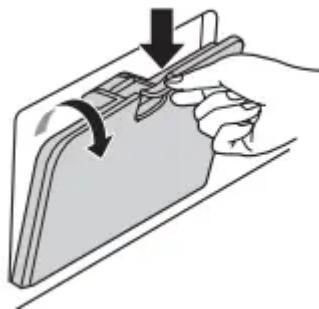
2. Clean the filter using a hard bristle brush.



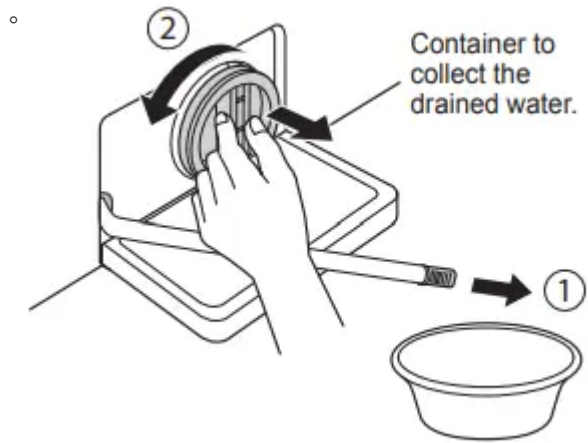
Cleaning the Drain Pump Filter

- The drain filter collects threads and small objects left in the laundry. Check regularly that the filter is clean to ensure smooth running of your washing machine.
- Allow the water to cool down before cleaning the drain pump, carrying out emergency emptying, or opening the door in an emergency

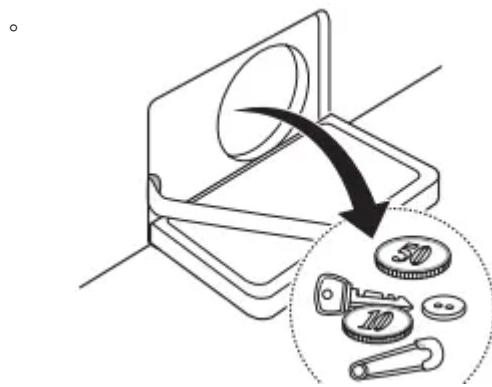
1. Open the cover cap and pull out the hose.



2. Unplug the drain plug and open the filter by turning it to the left.



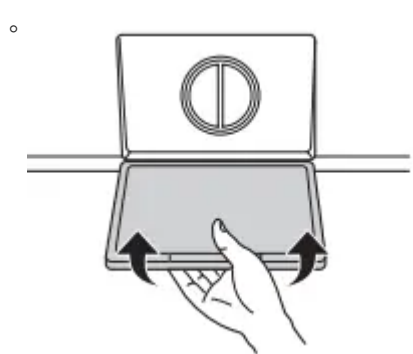
3. Remove any extraneous matter from the pump filter.



4. After cleaning, turn the pump filter and insert the drain plug.



5. Close the cover cap.



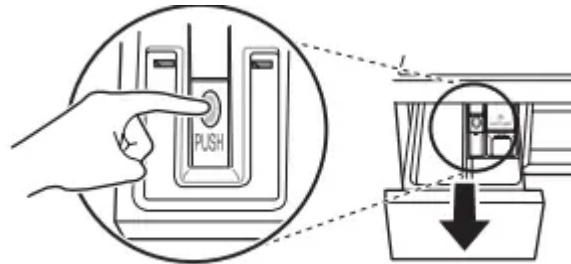
CAUTION

- First drain using the drain hose and then open the pump filter to remove any threads or objects.
- Be careful when draining, as the water may be hot

Cleaning the Dispenser Drawer

Detergent and fabric softener may build up in the dispenser drawer. Remove the drawer and inserts and check for buildup once or twice a month.

1. Remove the detergent dispenser drawer by pulling it straight out until it stops.
 - Press down hard on the disengage button and remove the drawer.



2. Remove the inserts from the drawer.
 - Rinse the inserts and the drawer with warm water to remove buildup from laundry products. Use only water to clean the dispenser drawer. Dry the inserts and drawer with a soft cloth or towel.
3. To clean the drawer opening, use a cloth or small, non-metal brush to clean the recess.
 - Remove all residue from the upper and lower parts of the recess.
4. Wipe any moisture off the recess with a soft cloth or towel.
5. Return the inserts to the proper compartments and replace the drawer.

Tub Clean (Optional)

Tub Clean is a special cycle to clean the inside of the washing machine. A higher water level is used in this cycle at higher spin speed. Perform this cycle regularly.

1. Remove any clothing or items from the washing machine and close the door.
2. Open the dispenser drawer and add Anti limescale (e.g. Calgon) to the main wash compartment.
3. Close the dispenser drawer slowly.
4. Power On and then press and hold Tub Clean button for 3 seconds. Then 'Tub Clean' will be displayed on the display.
5. Press the Start/Pause button to start.

6. After the cycle is complete, leave the door open to allow the washing machine door opening, gasket and door glass to dry.

CAUTION: If there is a child, be careful not to leave the door open for too long.

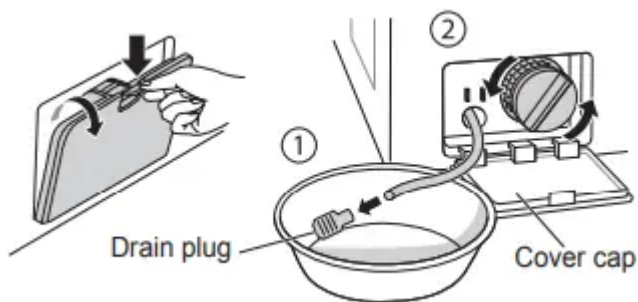
NOTE • Do not add any detergent to the detergent compartments. Excessive suds may generate and leak from the washing machine.

Caution on Freezing During Winter

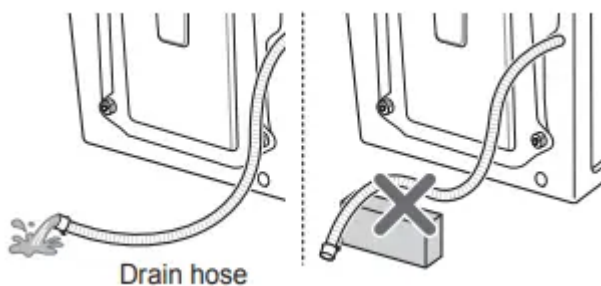
- When frozen, the product does not operate normally. Make sure to install the product where it will not freeze during winter.
- In case the product must be installed outside on a porch or in other outdoor conditions, make sure to check the following.

How to Keep the Product from Freezing

- After washing, remove water remaining inside the pump completely with the opening hose plug used for removal of residual water. When the water is removed completely, close the hose plug used for removal of residual water and cover cap.

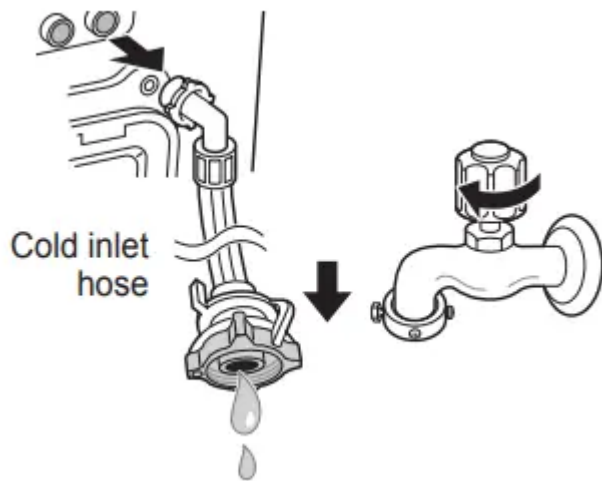


- Hang down drain hose to pull out water inside the hose completely.



CAUTION: When the drain hose is installed in a curved shape, the inner hose may freeze.

- After closing the tap, disconnect the cold inlet hose from the tap, and remove water while keeping the hose facing downwards.

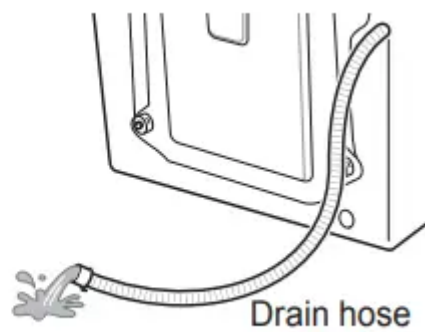
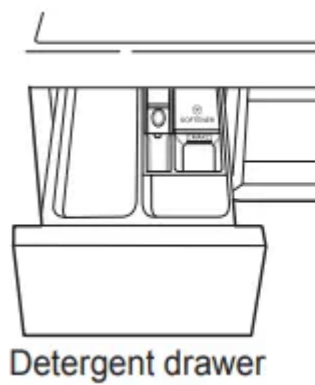


Check for Freezing

- If water does not drain when opening the hose plug used for removal of residual water, check the drainage unit.



- Turn the power on, select Rinse and Spin, and press the Start/Pause button.

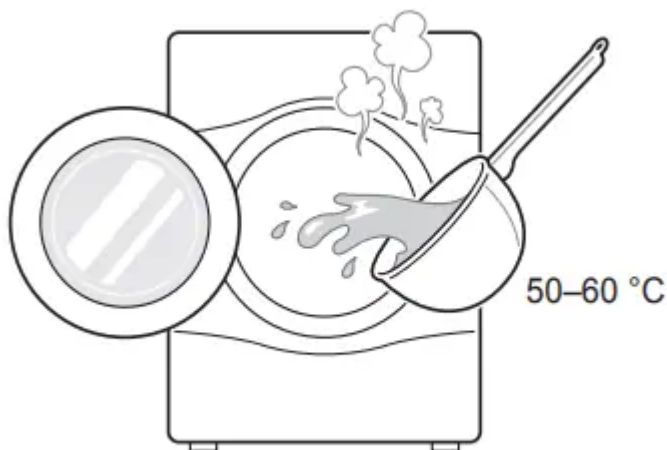


NOTE Check that water is coming into the detergent drawer while rinsing, and water is draining through the drain hose while spinning.

- When 'FF' is shown in display window while the product is in operation, check water supply unit and drainage unit (Some models do not have an alarm function that indicates freezing).

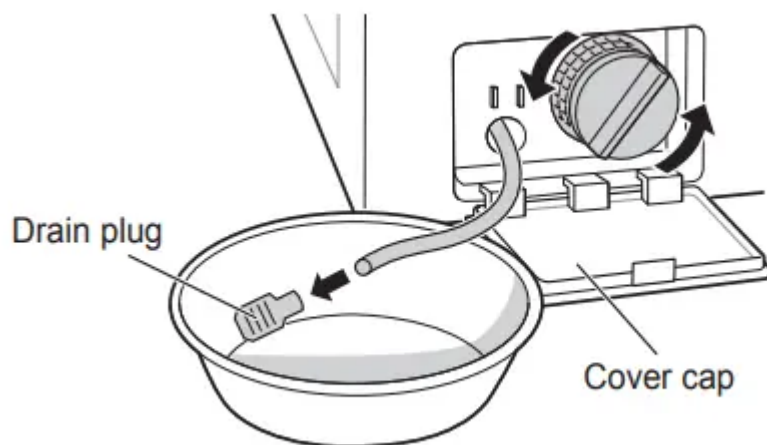
How to Handle Freezing

- Make sure to empty the drum, pour warm water of 50–60 °C up to the rubber part inside the drum, close the door, and wait for 1–2 hours.



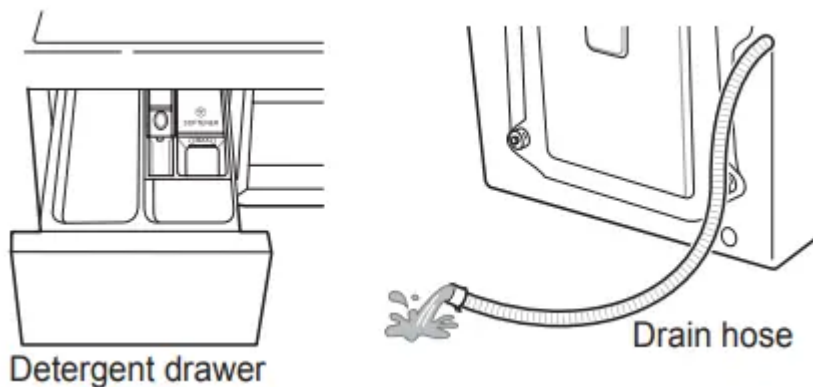
CAUTION: Do not use boiling water. It may cause burns or damage to the product

- Open the cover cap and hose plug used for removal of residual water to extract water completely.



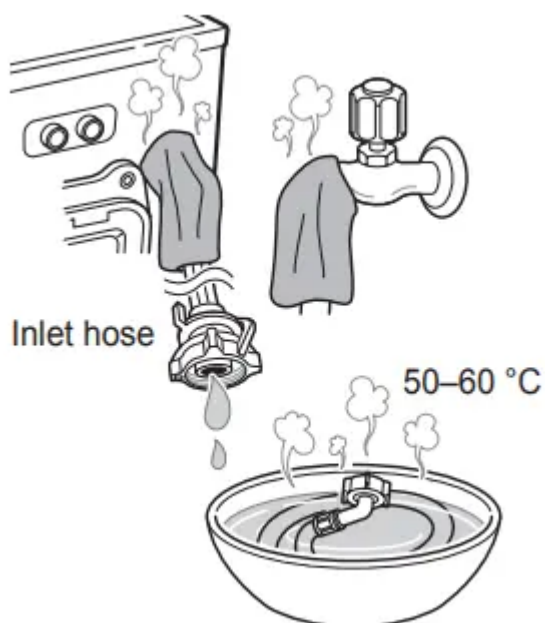
NOTE If when water does not drain, this means the ice is not melted completely. Wait more.

- When water is removed completely from the drum, close the hose plug used for removal of residual water, select Rinse and Spin, and press the Start/ Pause button.



NOTE Check that water is coming into the detergent drawer while rinsing, and water is draining through the drain hose while spinning.

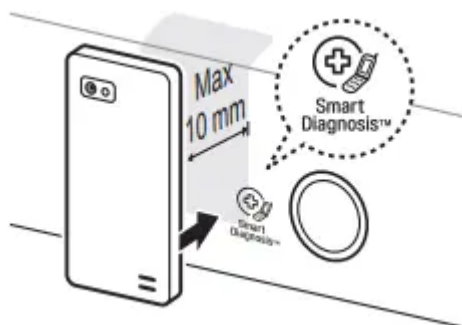
- When water supply problems occur, take the following measures.
 - Turn off the tap, and thaw out the tap and both connection areas of inlet hose of the product using a hot water cloth.
 - Take out inlet hose and immerse in warm water below 50–60 °C.



Using the Smart Diagnosis™ Function

Use this function if you need an accurate diagnosis by an LG Electronics service centre when the product malfunctions or fails. Use this function only to contact the service representative, not during normal operation.

1. Press the Power button to turn on the washing machine. Do not press any other buttons or turn the cycle selector knob.
2. When instructed to do so by the call centre, place the mouthpiece of your phone close to the Power button.



3. Press and hold the Temp. button for 3 seconds, while holding the phone mouthpiece to the icon or Power button.

4. The display is turned off and keep the phone in place until the tone transmission has finished.

- For best results, do not move the phone while the tones are being transmitted.
- If the call centre agent is not able to get an accurate recording of the data, you may be asked to try again.



5. Once the tones have stopped, resume your conversation with the call centre agent, who will then be able to assist you using the information transmitted for analysis.

NOTE

- The Smart Diagnosis™ function depends on the local call quality.
- The communication performance will improve and you can receive better service if you use the home phone.
- If the Smart Diagnosis™ data transfer is poor due to poor call quality, you may not receive the best Smart Diagnosis™ service

TROUBLESHOOTING

Your washing machine is equipped with an automatic error-monitoring system to detect and diagnose problems at an early stage. If your washing machine does not function properly or does not function at all, check the following before you call for service:

Diagnosing Problems

Symptoms, Reason & Solution

1. Rattling and clanking noise
 - Foreign objects such as coins or safety pins may be in drum or pump.
 - Stop washing machine, check drum and drain filter.
 - If noise continues after washing machine is restarted, call your authorised service centre
2. Thumping sound Heavy wash loads may produce a thumping sound.
 - This is usually normal.
 - If sound continues, washing machine is probably out of balance. Stop and redistribute wash load.
3. Vibrating noise
 - Have all the transit bolts and tub support been removed?
 - If not removed during installation, refer to Installation guide for removing transit bolts.
 - Are all the feet resting firmly on the ground?
 - Wash load may be unevenly distributed in drum. Stop washing machine and rearrange wash load.
4. Water leaks
 - Inlet hoses or drain hose are loose at tap or washing machine.
 - Check and tighten hose connections.
 - House drain pipes are clogged.
 - Unclog drain pipe. Contact plumber if necessary.
5. Oversudsing
 - Too much detergent or unsuitable detergent may cause excessive foaming which may result in water leaks.
6. Water does not enter washing machine or it enters slowly
 - Water supply is not adequate in that location.
 - Check another tap in the house.
 - Water supply tap is not completely open.
 - Fully open tap.

- Water inlet hose(s) are kinked.
 - Straighten hose.
- The filter of the inlet hose(s) clogged.
 - Check the filter of the inlet hose.

7. Water in the washing machine does not drain or drains slowly

- Drain hose is kinked or clogged.
 - Clean and straighten the drain hose.
- The drain filter is clogged.
 - Clean the drain filter.

8. Washing machine does not start

- Electrical power cord may not be plugged in or connection may be loose.
 - Make sure plug fits tightly in wall outlet.
- House fuse blown, circuit breaker tripped, or a power outage has occurred.
 - Reset circuit breaker or replace fuse. Do not increase fuse capacity. If problem is a circuit overload, have it corrected by a qualified electrician.
- Water supply tap is not turned on.
 - Turn on water supply tap.

9. Washing machine will not spin

- Check that the door is firmly shut.
 - Close the door and press the Start/Pause button. After pressing the Start/Pause button, it may take a few moments before the washing machine begins to spin. The door must be locked before spin can be achieved. Add 1 or 2 similar items to help balance the load. Rearrange load to allow proper spinning.

10. Door does not open

- Once washing machine has started, the door cannot be opened for safety reasons. Check if the 'Door Lock' icon is illuminated. You can safely open the door after the 'Door Lock' icon turns off.

11. Wash cycle time delayed

- The washing time may vary by the amount of laundry, water pressure, water temperature and other usage conditions. If an imbalance is detected or if the suds removing programme is on, the wash time will increase.

12. Fabric softener overflow

- Too much softener may cause an overflow.
 - Follow softener guidelines to ensure appropriate amount is used. Do not exceed the maximum fill line

13. Softeners dispensed too early

- Close the dispenser drawer slowly. Do not open the drawer during the wash cycle.

14. Dry problem

- Does not dry
 - Do not overload. Check that the washing machine is draining properly to extract adequate water from the load. Clothes load is too small to tumble properly. Add a few towels.

Error Messages

Symptoms, Reason & Solution

1.



- Water supply is not adequate in area.
 - Check another tap in the house.
- Water supply taps are not completely open.
 - Fully open tap.
- Water inlet hose(s) are kinked.
 - Straighten hose(s).
- The filter of the inlet hose(s) are clogged.
 - Check the filter of the inlet hose.
- If water leakage occurred in the inlet hose, indicator 'A' will become red.



- May vary depending on the model.

2.



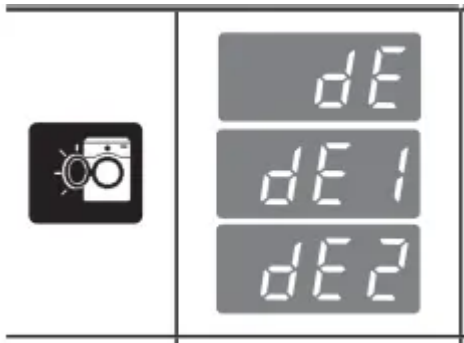
- Drain hose is kinked or clogged.
 - Clean and straighten the drain hose.
- The drain filter is clogged.
 - Clean the drain filter.

3.



- Load is too small.
 - Add 1 or 2 similar items to help balance the load.
- Load is out of balance.
 - Add 1 or 2 similar items to help balance the load.
- The appliance has an imbalance detection and correction system. If individual heavy articles are loaded (e.g. bath mat, bath robe, etc.) this system may stop spinning or even interrupt the spin cycle altogether.
 - Rearrange load to allow proper spinning.
- If the laundry is still too wet at the end of the cycle, add smaller articles of laundry to balance the load and repeat the spin cycle.
 - Rearrange load to allow proper spinning.

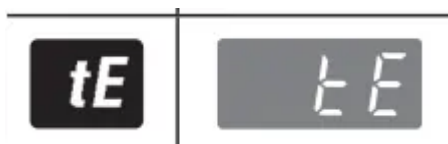
4.



- Ensure door is not open.

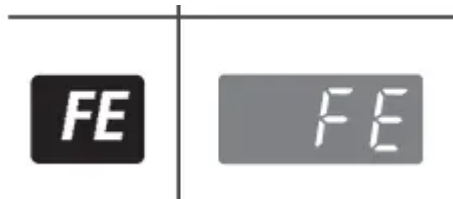
- Close the door completely. If 'dE, dE 1, dE 2' is not released, call for service.

5.



- Unplug the power plug and call for service.

6.



- Water overfills due to the faulty water valve.

- Close the water tap.
- Unplug the power plug.
- Call for service.

7.



- Water level sensor has malfunctioned.

- Close the water tap.
- Unplug the power plug.
- Call for service.

8.



◦ Overload in motor.

- Allow the washing machine to stand for 30 minutes to allow the motor to cool, then restart the cycle.

9.



◦ Water leaks.

- Call for service.

10.



◦ The washer experienced a power failure.

- Restart the cycle.

11.



◦ Control Error

- Unplug the power plug and call for service.

OPERATING DATA

Product fiche_Commission Delegated Regulation(EU) No 1061/2010		
Supplier's name or trade mark	LG	
Supplier's model	FH495BDS(0~9)	
Rated capacity	12	kg
Energy efficiency class	A+++	
Awarded an "EU Ecolabel award" under Regulation (EC) No 66/2010	No	
Weighted annual energy consumption (AEC) in kWh per year based on 220 standard washing cycles for cotton programmes at 60 °C and 40 °C at full and partial load, and the consumption of the low-power modes. Actual energy consumption will depend on how the appliance is used.	120	kWh/year
The energy consumption		
- the standard 60 °C cotton programme at full load	0.52	kWh
- the standard 60 °C cotton programme at partial load	0.46	kWh
- the standard 40 °C cotton programme at partial load.	0.45	kWh
Weighted power consumption of the off-mode and of the left-on mode.	0.44	W
Weighted annual water consumption (AWC) in litres per year based on 220 standard washing cycles for cotton programmes at 60 °C and 40 °C at full and partial load. Actual water consumption will depend on how the appliance is used.	11700	litres/year
Spin-drying efficiency class on a scale from G (least efficient) to A (most efficient).	A	
Maximum spin speed attained for the standard 60 °C cotton programme at full load or the standard 40 °C cotton programme at partial load, whichever is the lower, and remaining moisture content attained for the standard 60 °C cotton programme at full load or the standard 40 °C cotton programme at partial load, whichever is the greater.	1400	rpm
	44	%
Standard washing programmes to which the information in the label and the fiche relates, that these programmes are suitable to clean normally soiled cotton laundry and that they are the most efficient programmes in terms of combined energy and water consumption;	"Cotton Large 60 °C/40 °C"	
The programme time		
- the standard 60 °C cotton programme at full load.	265	min.
- the standard 60 °C cotton programme at partial load.	235	min.
- the standard 40 °C cotton programme at partial load.	225	min.
The duration of the left-on mode (TI)	10	min.
Airborne acoustical noise emissions expressed in dB(A) re 1 pW and rounded to the nearest integer during the washing and spinning phases for the standard 60 °C cotton programme at full load	55 / 70	dB(A)
Free-Standing		

Warning

This content is compiled from multiple sources and is provided for reference purposes only. It may not be complete or fully applicable to all situations. If you are unable to resolve your issue, please contact the product manufacturer or an authorized service provider for official support.

