

Operating Instructions

About the auto features

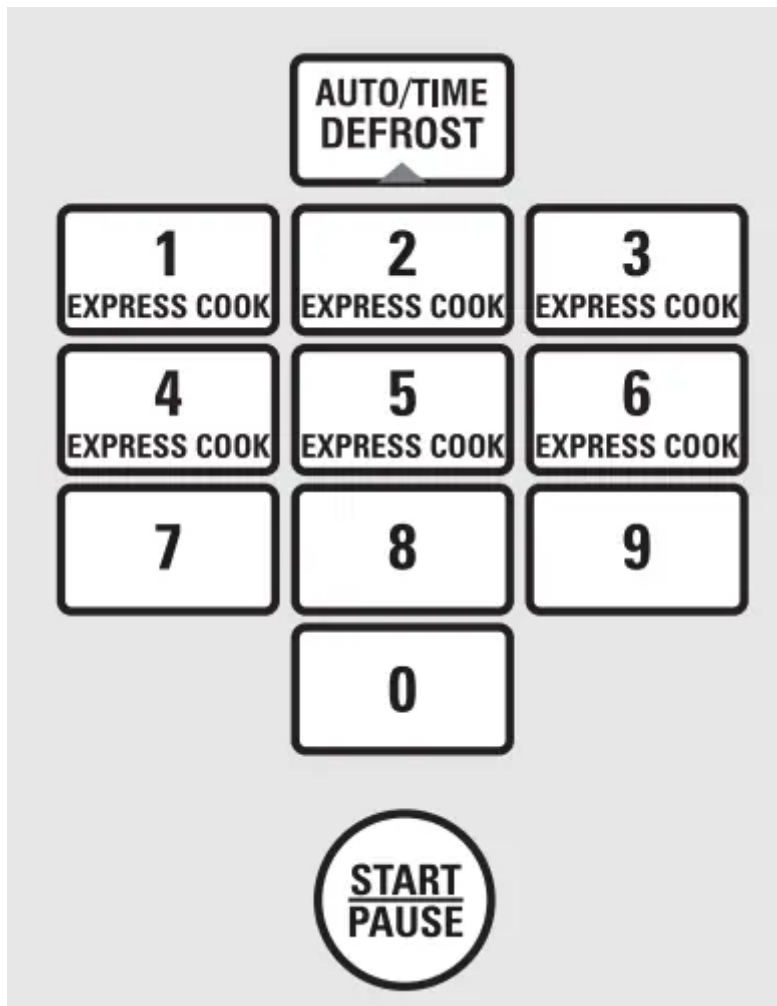
Auto Defrost

Auto Defrost automatically sets the defrosting times and power levels to give even defrosting results for meats, poultry and fish weighing up to six pounds.

■ Twice during Auto Defrost, the oven signals Turn Food Over. At each signal, turn the food over.

Remove defrosted meat or shield warm areas with small pieces of foil.

■ After defrosting, most meats need to stand 5 minutes to complete defrosting. Large roasts should stand for about 30 minutes.



1. Press **AUTO/TIME DEFROST** once for **Auto Defrost**.
2. Using the Conversion Guide at right, enter food weight. For example, press pads 1 and 2 for 1.2 pounds (1 pound, 3 ounces). Enter weight up to 6 pounds for Auto Defrost.
3. Press **START**.

Conversion Guide

If the weight of food is stated in pounds and ounces, the ounces must be converted to tenths (.1) of a pound.

| Weight of Food in Ounces | Enter Food Weight (tenths of a pound) | Weight of Food in Ounces | Enter Food Weight (tenths of a pound) |
|---------------------------------|--|---------------------------------|--|
| 1–2 | .1 | 9–10 | .6 |
| 3 | .2 | 11 | .7 |
| 4–5 | .3 | 12–13 | .8 |
| 6–7 | .4 | 14–15 | .9 |
| 8 | .5 | | |

1 lb. Quick Defrost

1 lb. Quick Defrost automatically sets the defrosting times and power levels for foods weighing one pound.

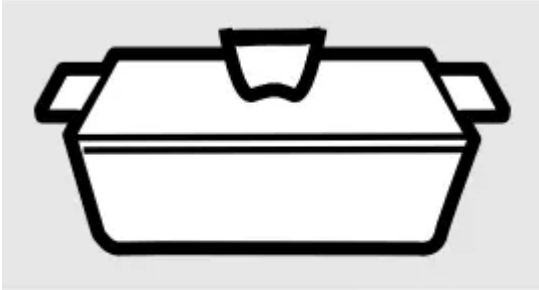
Press **1 lb. Quick Defrost**. The oven starts automatically. When the oven signals, turn food over.

Melt (on some models)

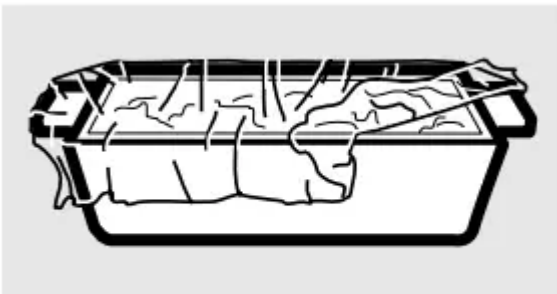
1. Press **MELT**.
2. Enter number for food type.
3. Press **START**.

| Food Item | Quantity | Enter |
|-----------------|--------------|-------|
| Butter | 2, 4 or 8 oz | 1 |
| Chocolate Chips | 2–16 oz | 2 |
| Marshmallow | 2–16 oz | 3 |
| Caramel | 2–16 oz | 4 |
| Cheese | 2–32 oz | 5 |

About the sensor features.



Covered



Vented



Dry off dishes so they
don't mislead the sensor.

Humidity Sensor

What happens when using the Sensor Features:

The Sensor Features detect the increasing humidity released during cooking. The oven automatically adjusts the cooking time to various types and amounts of food.

Do not use the Sensor Features twice in succession on the same food portion—it may result in severely overcooked or burnt food. If food is undercooked after the countdown, use Time Cook for additional cooking time.

The proper containers and covers are essential for best sensor cooking.

Always use microwave-safe containers and cover them with lids or vented plastic wrap. Never use tight sealing plastic containers—they can prevent steam from escaping and cause food to

overcook.

Be sure the outside of the cooking containers and the inside of the microwave oven are dry before placing food in the oven. Beads of moisture turning into steam can mislead the sensor.

Beverage

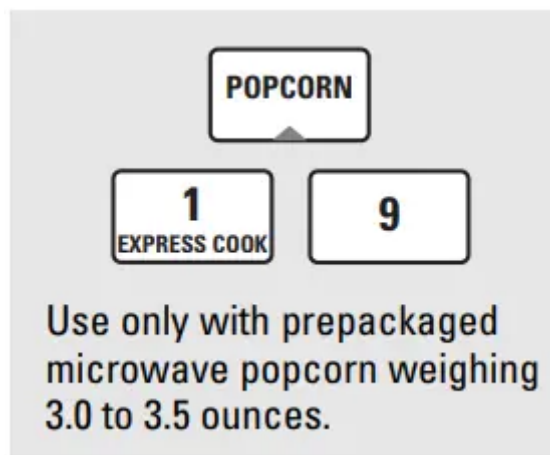
Press BEVERAGE once to heat an 8–10 oz cup of coffee or other beverage.

Drinks heated with the Beverage feature may be very hot. Remove the container with care.

If food is undercooked after the countdown use **Time Cook** for additional cooking time.

NOTE: Do not use this feature twice in succession on the same food portion—it may result in severely overcooked or burnt food.

About the sensor features.



NOTE: Do not use the metal shelf when using the **Popcorn** feature.

NOTE: Do not use this feature twice in succession on the same food portion—it may result in severely overcooked or burnt food.

Popcorn

How to Use the Popcorn Feature

1. Follow package instructions, using Time Cook if the package is less than 3.0 ounces or larger than 3.5 ounces. Place the package of popcorn in the center of the microwave.
2. Press POPCORN for a regular size (3.0 to 3.5 oz) bag of popcorn. The oven starts immediately. If you open the door while POPCORN is displayed, an error message will appear. Close the door and press START.

If food is undercooked after the countdown use Time Cook for additional cooking time.

How to Adjust the Popcorn Program to Provide a Shorter or Longer Cook Time

If you find that the brand of popcorn you use underpops or overcooks consistently, you can add or subtract 20–30 seconds to the automatic popping time.

To add time:

After pressing POPCORN, press 9 within the first 30 seconds after the oven starts for an extra 20 seconds.

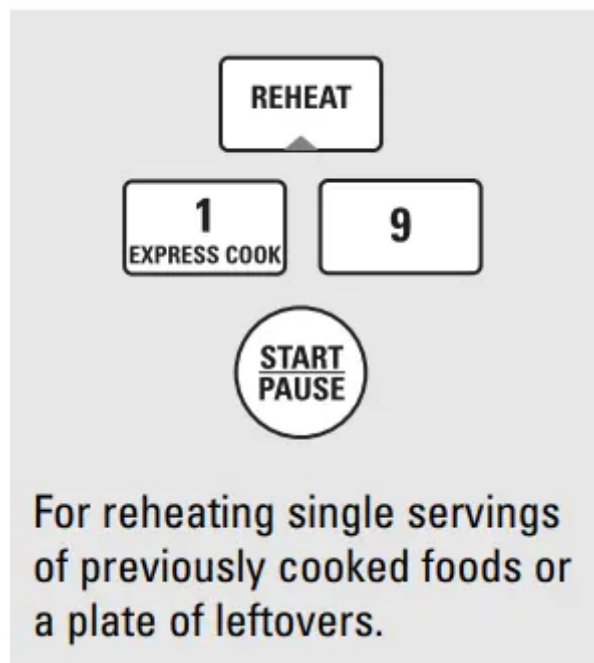
Press 9 again to add another 10 seconds (total 30 seconds additional time).

To subtract time:

After pressing POPCORN, press 1 within the first 30 seconds after the oven starts for 20 seconds less

cooking time.

Press 1 again to reduce cooking time another 10 seconds (total 30 seconds less time).



NOTE: Do not use the metal shelf when using the **Reheat** feature.

NOTE: Do not use this feature twice in succession on the same food portion—it may result in severely overcooked or burnt food.

Reheat**How to Use the Reheat feature:**

1. Place the cup of liquid or covered food in the oven. Press REHEAT once, twice or three times.

The oven starts immediately.

Press once for a plate of leftovers.

Press twice for pasta (8–12 oz).

Press three times for vegetables (1/2 to 2 cups).

2. The oven signals when steam is sensed and the time remaining begins counting down.

Do not open the oven door until time is counting down. If the door is opened, close it and press START immediately.

After removing food from the oven, stir, if possible, to even out the temperature. Reheated foods may have

wide variations in temperature. Some areas may be extremely hot.

If food is not hot enough after the countdown use Time Cook for additional reheating time.

How to Change the Automatic Settings:

To reduce time by 10%:

Press 1 within 30 seconds after pressing the REHEAT pad.

To add 10% to cooking time:

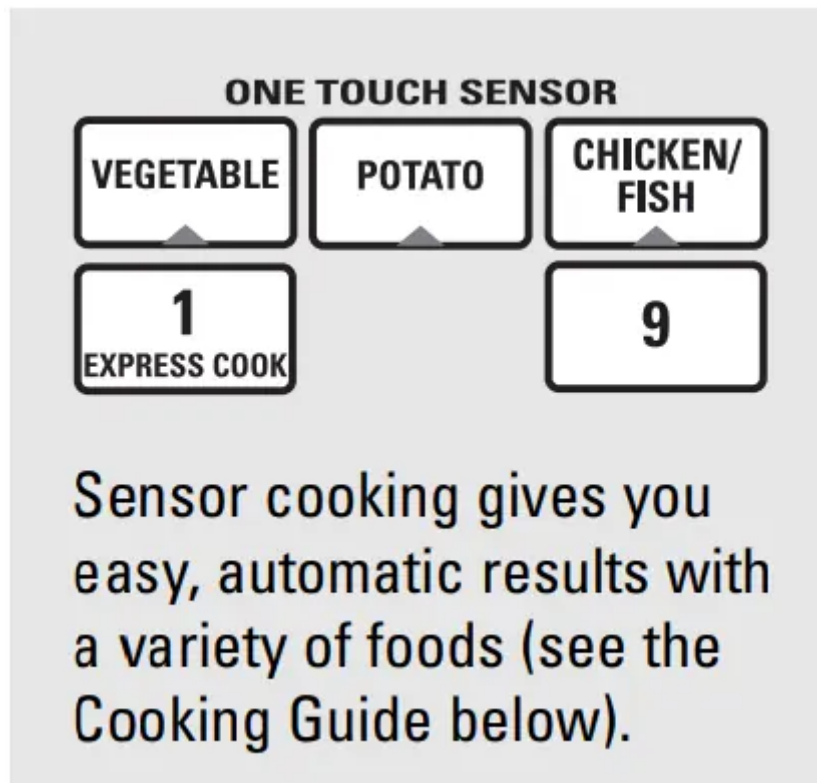
Press 9 within 30 seconds after pressing the REHEAT pad.

Some Foods Not Recommended For Use With Reheat:

It is best to use Time Cook for these foods:

- Bread products.
- Foods that must be reheated uncovered.
- Foods that need to be stirred or rotated.
- Foods calling for a dry look or crisp surface after reheating.

About the sensor features



NOTE: Do not use the metal shelf with Sensor Cooking.

NOTE: Do not use this feature twice in succession on the same food portion—it may result in severely overcooked or burnt food.

Sensor Cooking

(Fish and Chicken Pieces on some models)

1. Place covered food in the oven. Press the food pad. For vegetables, press the VEGETABLE pad once for fresh vegetables, twice for frozen vegetables or three times for canned vegetables. For chicken or fish, press the CHICKEN/FISH pad once for chicken pieces or twice for fish. The oven starts immediately.
2. The oven signals when steam is sensed and the time remaining begins counting down. Turn or stir the food if necessary.

Do not open the oven door until time is counting down. If the door is opened, close it and press START immediately.

If food is undercooked after the countdown use **Time Cook** for additional cooking time.

How to Change the Automatic Settings (automatic settings for canned vegetables cannot be adjusted on some models):

You can adjust the cooking time for all foods to suit your personal taste.

To reduce time by 10%:

Press 1 within 30 seconds after pressing the food pad.

To add 10% to cooking time:

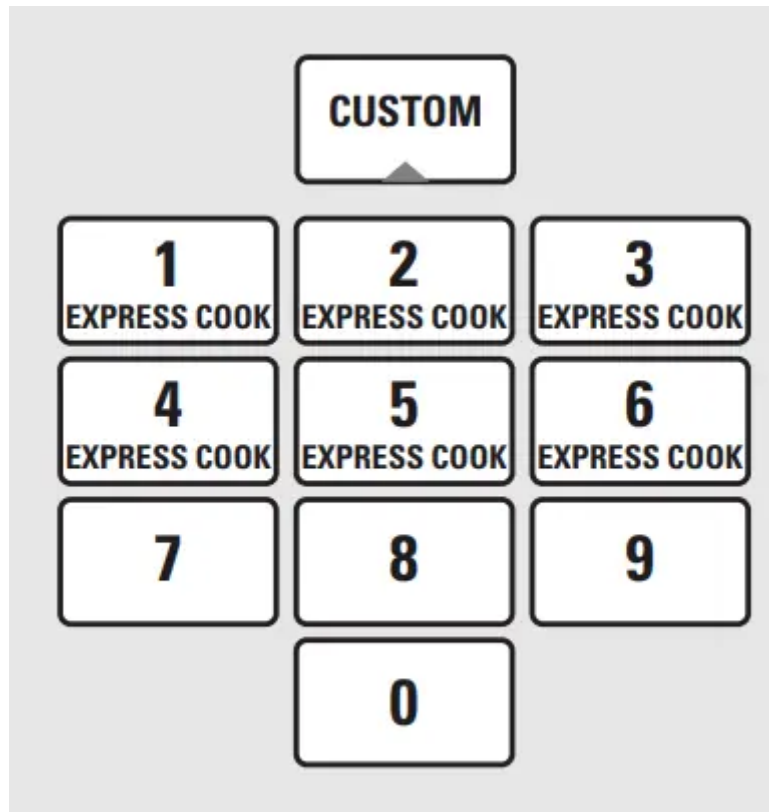
Press 9 within 30 seconds after pressing the food pad.

Cooking Guide

| Food Type | Amount | Comments |
|--------------------------|------------|--|
| Canned Vegetables | 4–16 oz | Cover with lid or vented plastic wrap. |
| Frozen Vegetables | 4–16 oz | Follow package instructions for adding water. Cover with lid or vented plastic wrap. |
| Fresh Vegetables | 4–16 oz | Add 1/4 cup water per serving. Cover with lid or vented plastic wrap. |
| Potatoes | 8–32 oz | Pierce skin with fork. Place potatoes on the turntable. |
| Fish* | 4–16 oz | Cover with vented plastic wrap. |
| Chicken Pieces* | 2–8 pieces | Cover with vented plastic wrap. |

*On some models

Other features your model may have.



Custom

The CUSTOM pad allows you to save your most frequently used settings. (Sensor cooking settings cannot be saved.)

To set and save a setting:

1. Press the CUSTOM pad.
2. Set the amount of cooking time.
3. Set the power level, if desired. (Full power will automatically be set if you do not change it.)
4. Press the CUSTOM pad.

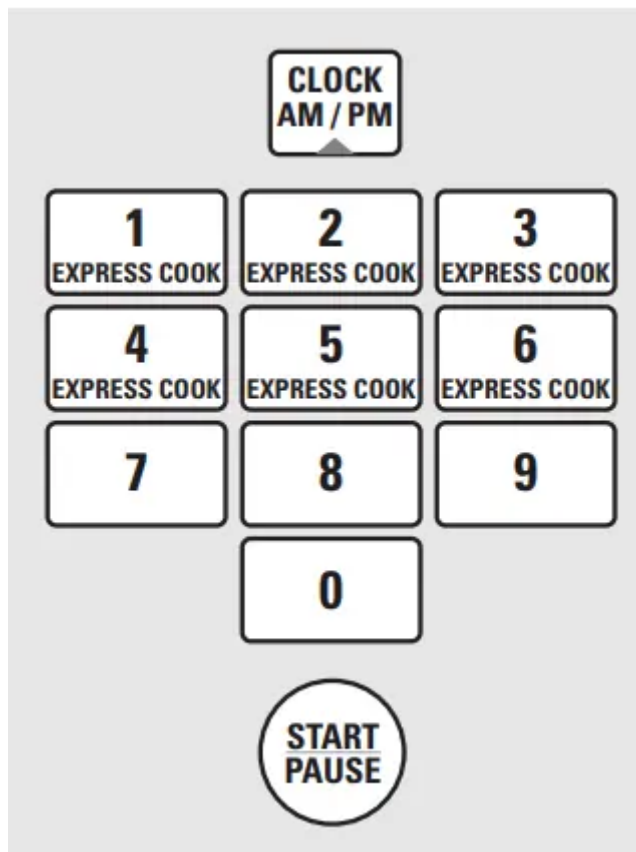
Your custom setting will be remembered for future one touch use.

To clear the custom setting, press and hold the CUSTOM pad for 2 seconds.

Help

The HELP pad displays feature information and helpful hints. Press HELP; then select a feature pad.

Clock

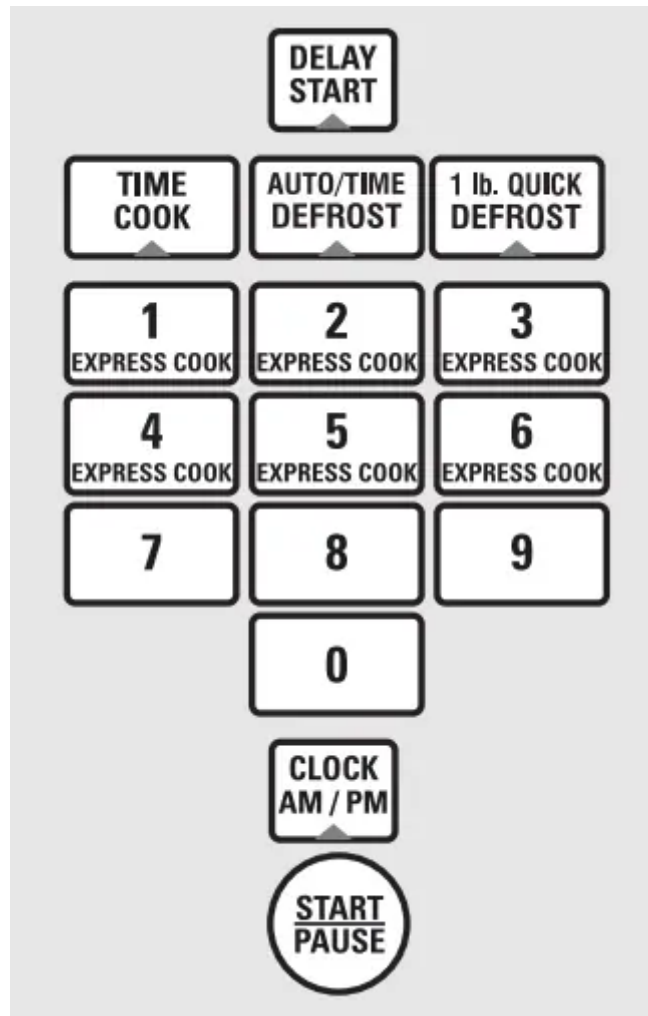


Press CLOCK to set the time of day.

1. Press CLOCK.
2. Enter the time of day.
3. Select AM or PM.
4. Press START.

To check the time of day while microwaving, press CLOCK.

Other features your model may have.



Delay Start

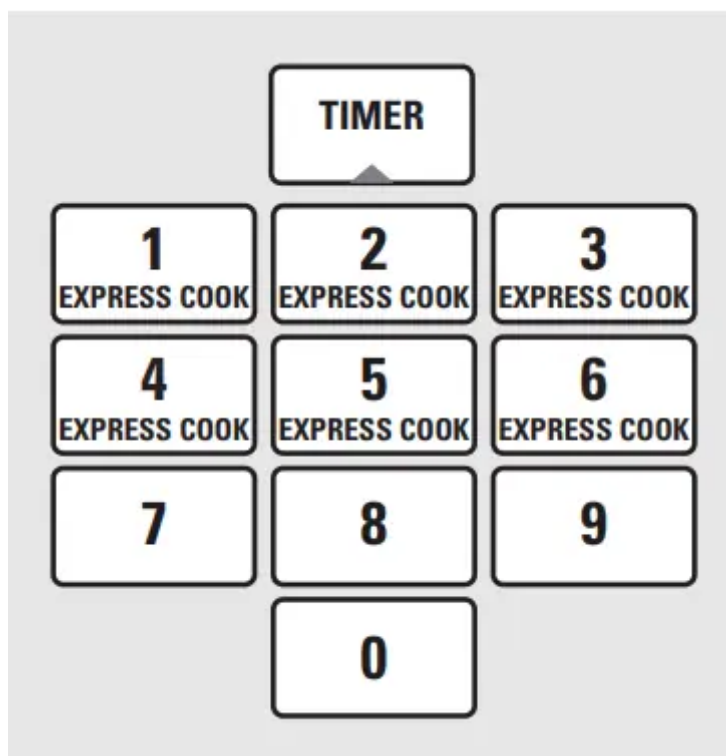
Delay Start allows you to set the microwave to delay cooking up to 24 hours.

1. Press DELAY START.
2. Select the cooking or defrosting feature you wish to delay; then enter the cooking or defrosting time.
3. Press START.
4. Enter the time you want the oven to start. (Be sure the microwave clock shows the correct time of day.)
5. Select AM or PM.
6. Press START.

The start time will be displayed and will remain until the oven automatically starts at the delayed time.

The time of day may be displayed by pressing CLOCK

Timer



Timer operates as a minute timer and can be used at any time, even when the oven is operating.

1. Press **TIMER**.
2. Enter time you want to count down.
3. Press **TIMER** to start.

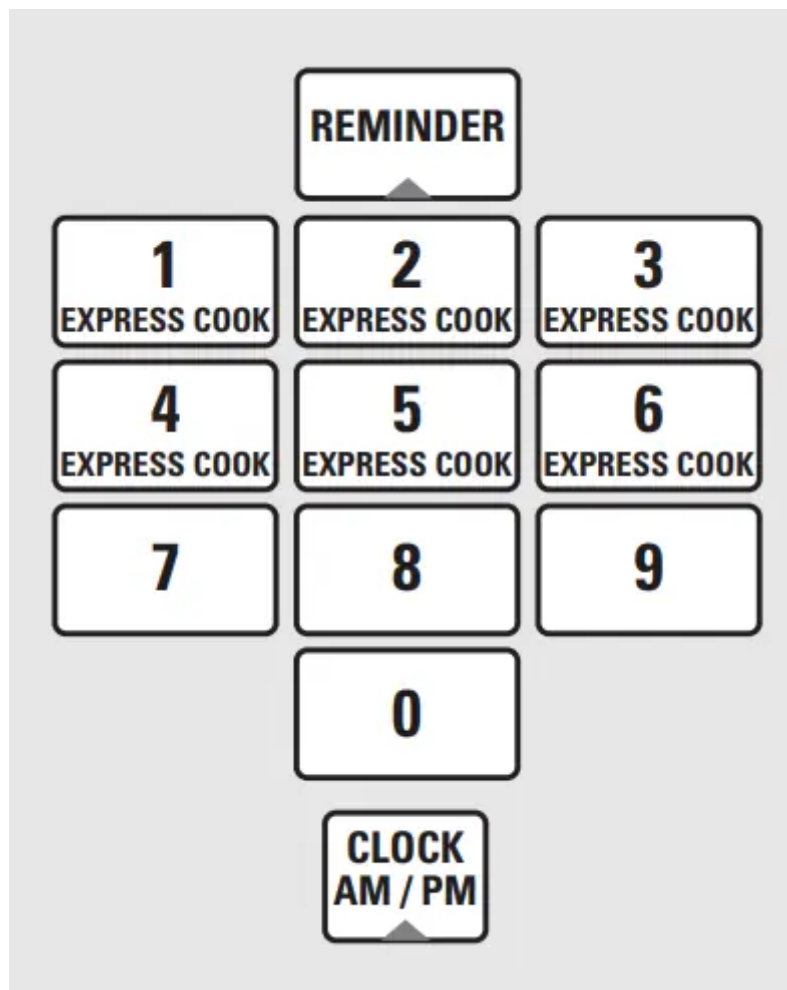
To pause the countdown, press **TIMER**.

When time is up, the oven will signal. To turn off the timer signal, press **TIMER**.

NOTE: The timer indicator will be lit while the timer is operating.

To cancel the timer, press and hold the **TIMER** pad for 2 seconds.

Reminder



The Reminder feature can be used like an alarm clock, and can be used at any time, even when the oven is operating. The Reminder time can be set up to 24 hours later.

1. Press REMINDER.
2. Enter the time you want the oven to remind you. (Be sure the microwave clock shows the correct time of day.)
3. Select AM or PM.
4. Press REMINDER. When Reminder signal occurs, press REMINDER to turn it off. The Reminder time may be displayed by pressing REMINDER.

NOTE: The REM indicator will remain lit to show that the Reminder is set. To clear the Reminder before it occurs, press and hold the REMINDER pad for 2 seconds.

Start/Pause

In addition to starting many functions, START/PAUSE allows you to stop cooking without opening the door or clearing the display.

Child Lock-Out

You may lock the control panel to prevent the microwave from being accidentally started or used by children.

To lock or unlock the controls, press and hold CLEAR/OFF for about three seconds. When the control panel is locked, CONTROL LOCKED or LOCKED will be displayed.

Other features your model may have.

Turntable

For best cooking results, leave the turntable on. It can be turned off for large dishes. Press TURNTABLE to turn the turntable on or off.

Sometimes the turntable can become too hot to touch. Be careful touching the turntable during and after cooking.

Vent Fan

The vent fan removes steam and other vapors from surface cooking.

Press **VENT FAN** once for high fan speed, twice for medium fan speed, a third time for low fan speed or a fourth time to turn the fan off.

Press the **VENT FAN BOOST** pad (on some models) for extra fan speed.

Automatic Fan

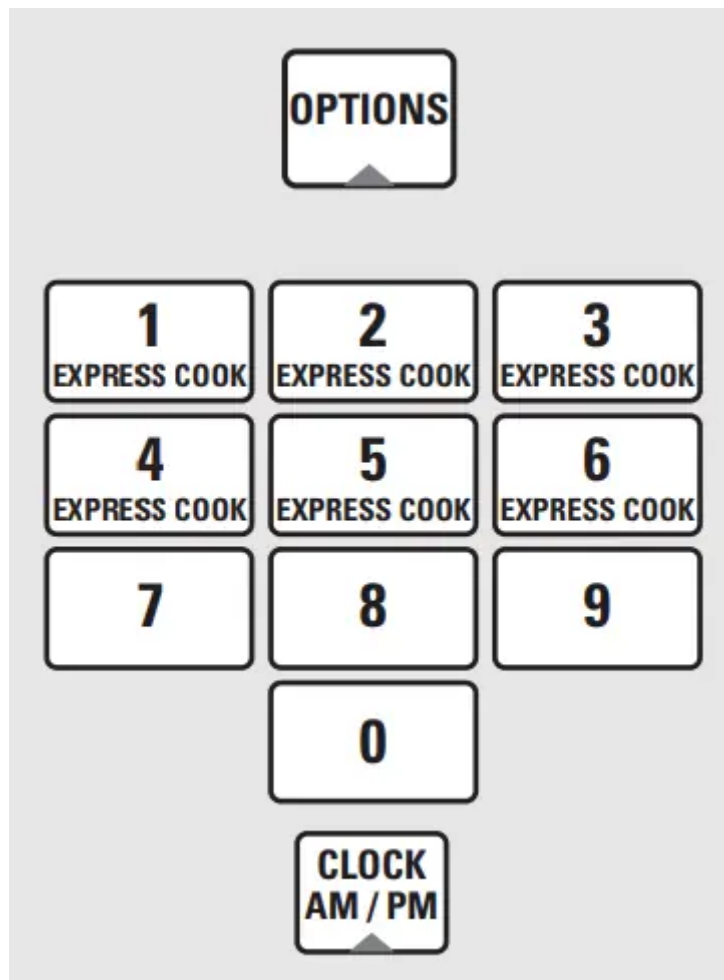
An automatic fan feature protects the microwave from too much heat rising from the cooktop below it. It automatically turns on if it senses too much heat.

If you have turned the fan on, you may find that you cannot turn it off. The fan will automatically turn off when the internal parts are cool. It may stay on for 30 minutes or more after the cooktop and microwave controls are turned off.

Surface Light

Press **SURFACE LIGHT** once for bright light, twice for the night light, or three times to turn the light off.

Options



Press the OPTIONS pad multiple times to cycle through the available options.

Auto Nite Light

The Auto Nite Light can be set to come on and go off at desired times.

To set the timer:

1. Press 1.
2. Enter the time of day for the light to come on.
3. Select AM or PM.
4. Press the OPTIONS pad.
5. Enter the time of day for the light to go off.
6. Select AM or PM.
7. Press the OPTIONS pad.

To review the nite light settings, press 2 after selecting the Auto Nite Light option.

To turn the nite light off, press 0 after selecting the Auto Nite Light option.

Beeper Volume

The beeper sound level can be adjusted. Choose 0–3 for mute to loud.

Charcoal Filter Reminder

The Charcoal Filter Reminder is a 180-day timer to remind you when to change the charcoal filter. Press 0 to turn the reminder off. Press 1 to set the reminder. Press 2 to reset the reminder.

Display Language (on some models)

The language for the scrolling display may be set at either English or Spanish.

Press 1 for English or 2 for Spanish.

Display On/Off

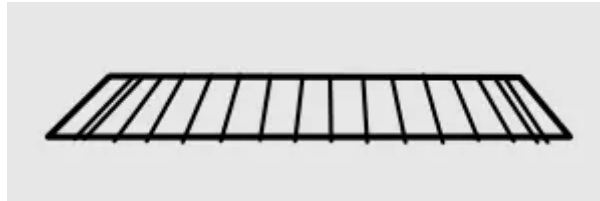
You can choose to turn the clock display on or off. Press 0 to turn the display off. Press 1 to turn the display on.

Display Speed

The scroll speed of the display can be changed. Select 1–5 for slowest to fastest scroll speed.

Other features your model may have.

Shelf

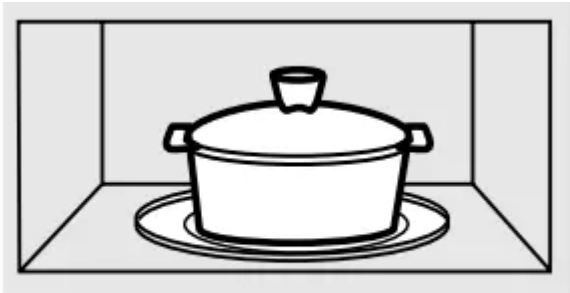


Food microwaves best when placed on the turntable or on the shelf in the lower position.

Only use the shelf when reheating on more than one level. Do not store the shelf inside the oven cavity.

How to Use the Shelf When Microwaving

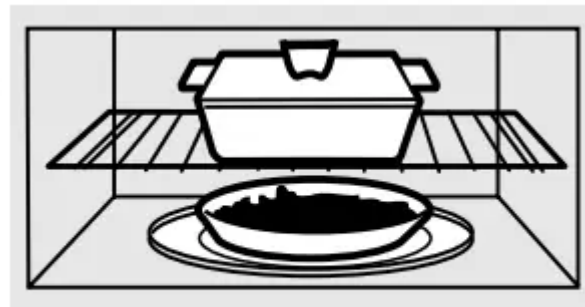
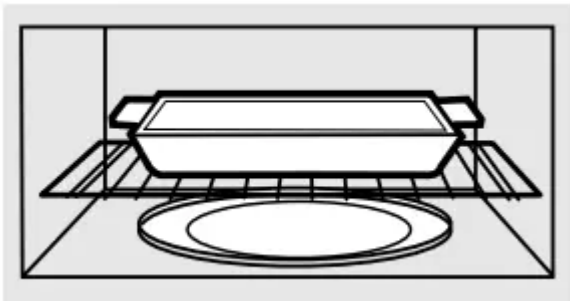
- Make sure the shelf is positioned properly inside the microwave to prevent damage to the oven from arcing.
- Do not use a microwave browning dish on the shelf. The shelf could overheat.
- Do not use the oven with the shelf on the microwave floor. This could damage the microwave.
- Use pot holders when handling the shelf— it may be hot.
- Do not use the shelf when cooking popcorn.
- Do not use the shelf with Sensor Cooking or Reheat.



For best results



Uneven results



2-level reheating

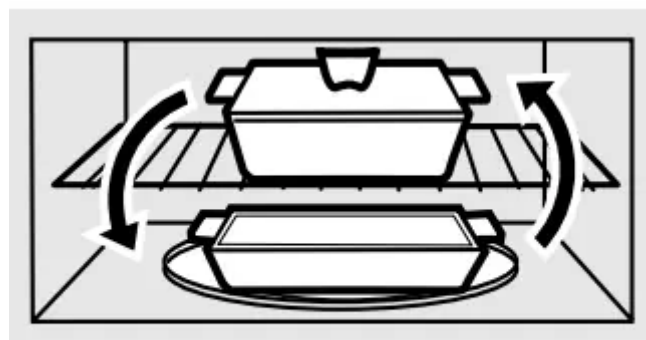
Shelf and Reheating

- To reheat on 2 levels

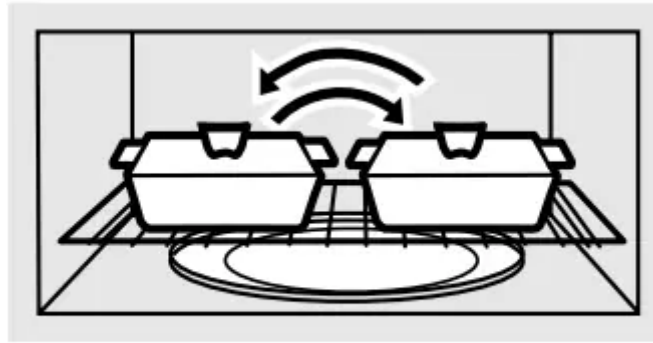
OR

- To reheat 2 dishes on the lower level:

1. Multiply reheat time by $1\frac{1}{2}$
2. Switch places after $1/2$ the time.



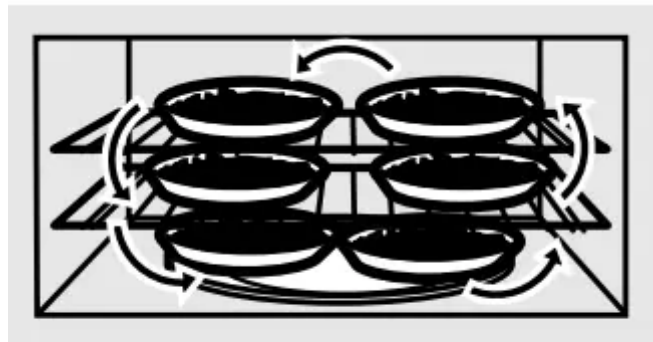
Switch places after $1/2$ time



Switch places after 1/2 time

■ To reheat on 3 levels (on some models):

1. Turn the turntable off.
2. Double the reheating time.
3. Switch places twice and give the dishes a 1/2 turn during reheating. (Place dense foods, or those that require a longer cook time, on the upper shelf first.)



Switch places twice

Microwave terms.

| Term | Definition |
|----------------------|---|
| Arcing | Arcing is the microwave term for sparks in the oven. Arcing is caused by: <ul style="list-style-type: none">■ the metal shelf being installed incorrectly and touching the microwave walls.■ metal or foil touching the side of the oven.■ foil that is not molded to food (upturned edges act like antennas).■ metal such as twist-ties, poultry pins, gold-rimmed dishes.■ recycled paper towels containing small metal pieces. |
| Covering | Covers hold in moisture, allow for more even heating and reduce cooking time. Venting plastic wrap or covering with wax paper allows excess steam to escape. |
| Shielding | In a regular oven, you shield chicken breasts or baked foods to prevent over-browning. When microwaving, you use small strips of foil to shield thin parts, such as the tips of wings and legs on poultry, which would cook before larger parts. |
| Standing Time | When you cook with regular ovens, foods such as roasts or cakes are allowed to stand to finish cooking or to set. Standing time is especially important in microwave cooking. Note that a microwaved cake is not placed on a cooling rack. |
| Venting | After covering a dish with plastic wrap, you vent the plastic wrap by turning back one corner so excess steam can escape. |

Care and cleaning of the microwave oven.

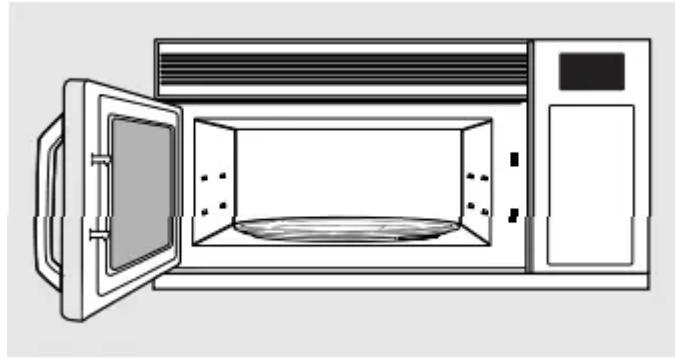
Helpful Hints

An occasional thorough wiping with a solution of baking soda and water keeps the inside fresh.

NOTE: Be certain the power is off before cleaning any part of this oven.



How to Clean the Inside



Walls, Floor, Inside Window, Metal and Plastic Parts on the Door

Some spatters can be removed with a paper towel; others may require a damp cloth. Remove greasy spatters with a sudsy cloth; then rinse with a damp cloth. Do not use abrasive cleaners or sharp utensils on oven walls.

Never use a commercial oven cleaner on any part of your microwave.

Removable Turntable and Turntable Support

To prevent breakage, do not place the turntable into water just after cooking. Wash it carefully in warm, sudsy water or in the dishwasher. The turntable and support can be broken if dropped. Remember, do not operate the oven without the turntable and support in place.

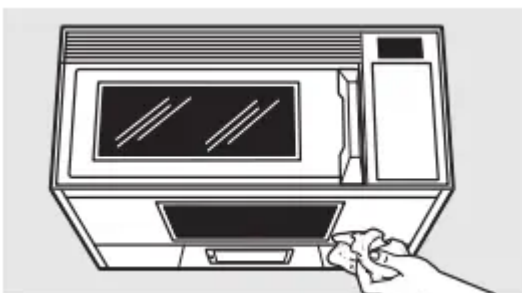
Shelf

Clean with mild soap and water or in the dishwasher. Do not clean in a self-cleaning oven.

Temperature Probe (on some models)

Clean immediately after using. To clean, wipe with a sudsy cloth, then rub lightly with a plastic scouring ball if necessary. Rinse and dry. The probe can also be washed in the dishwasher.

Care and cleaning of the microwave oven



How to Clean the Outside

We recommend against using cleaners with ammonia or alcohol, as they can damage the appearance of the microwave oven. If you choose to use a common household cleaner, first apply the cleaner directly to a clean cloth, then wipe the soiled area.

Case

Clean the outside of the microwave with a sudsy cloth. Rinse and then dry. Wipe the window clean with a damp cloth.

Control Panel

Wipe with a damp cloth. Dry thoroughly. Do not use cleaning sprays, large amounts of soap and water, abrasives or sharp objects on the panel—they can damage it. Some paper towels can also scratch the control panel.

Door Panel

Before cleaning the front door panel, make sure you know what type of panel you have. Refer to the eighth digit of the model number (eleventh digit on models JVM1850, JNM1851 and DVM1850). "S" is stainless steel, "G" is Graphite, "L" is CleanSteel and "B", "W" or "C" are plastic colors.

Stainless Steel

The stainless steel panel can be cleaned with Stainless Steel Magic or a similar product using a clean, soft cloth. Apply stainless cleaner carefully to avoid the surrounding plastic parts. Do not use appliance wax, polish, bleach or products containing chlorine on Stainless Steel finishes.

CleanSteel, Graphite

Use a clean, soft, light and lightly dampened cloth, then dry thoroughly. Do not use appliance wax, polish, bleach or products containing any chemical agent on the CleanSteel surfaces.

Plastic Color Panels

Use a clean, soft, lightly dampened cloth, then dry thoroughly.

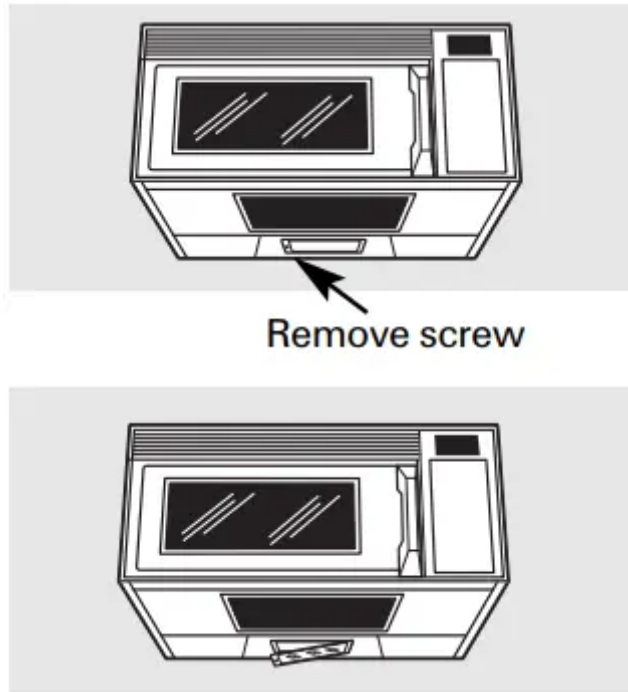
Door Seal

It's important to keep the area clean where the door seals against the microwave. Use only mild, non-abrasive detergents applied with a clean sponge or soft cloth. Rinse well.

Bottom

Clean off the grease and dust on the bottom often. Use a solution of warm water and detergent.

Replacing the light bulbs.



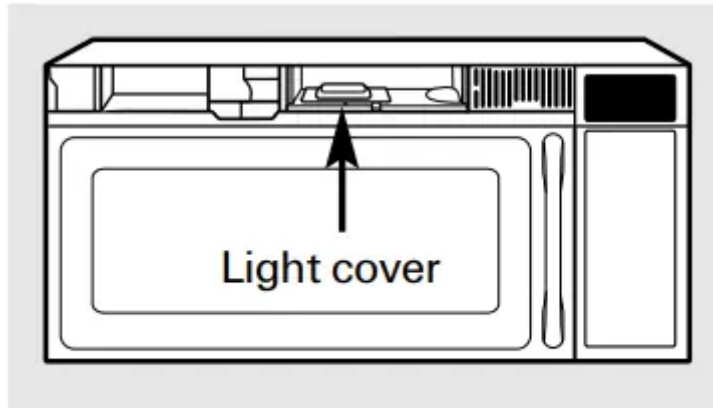
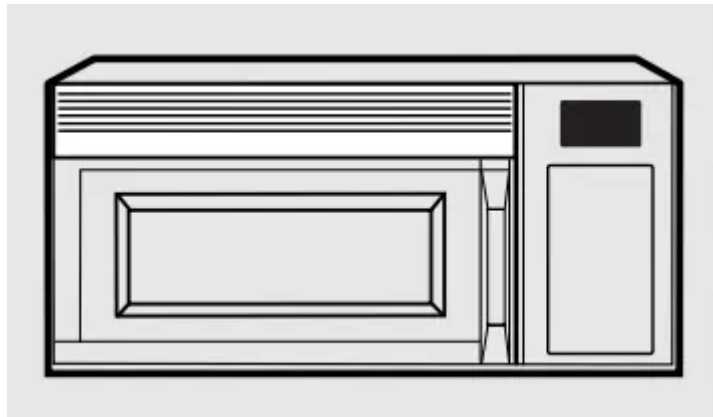
Cooktop Light/Night Light

On models JVM1850, JNM1851, DVM1850 and EMO4000, replace the burned-out bulb with a 120 volt, 40-watt incandescent bulb (WB36X10003), available from your GE supplier.

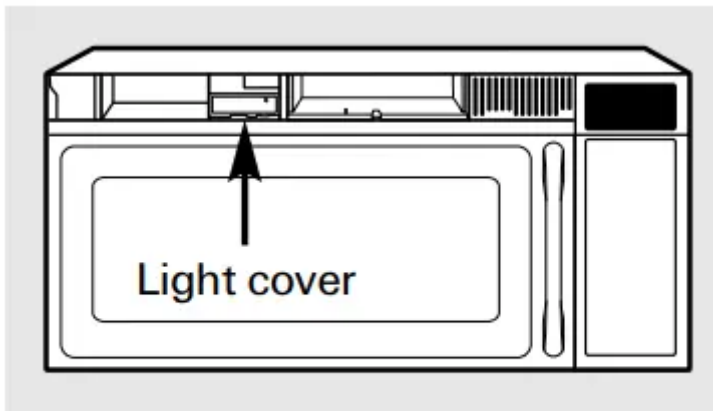
On models JVM1870, JVM1871, JVM2050 and JVM3670, replace the burned-out bulb with a 120 volt, 20-watt halogen bulb (WB36X10213), available from your GE supplier.

1. To replace the bulb(s), first disconnect the power at the main fuse or circuit breaker panel or pull the plug.
2. Remove the screw at the left edge of the light cover and push on the right edge of the cover to open.
3. Be sure the bulb(s) to be replaced are cool before removing. After breaking the adhesive seal, remove the bulb by either gently turning (for models JVM1850, JNM1851, DVM1850 and EMO4000) or pulling straight out (for models JVM1870, JVM1871, JVM2050 and JVM3670). Replace with the same size and type bulb.
4. Raise the light shield and replace the screw. Connect electrical power to the oven.

Replacing the light bulbs.



On some models



On some models

Oven Light

Replace the burned-out bulb with a 120 volt, 20-watt halogen bulb (WB36X10213), available from your GE supplier.

1. To replace the oven light, first disconnect the power at the main fuse or circuit breaker panel or pull the plug.
2. Remove the top grille by taking out the screws on top of the grille that hold it in place and sliding the grille to the left (opening the door makes grille removal easier).

3. Next, remove the light cover.

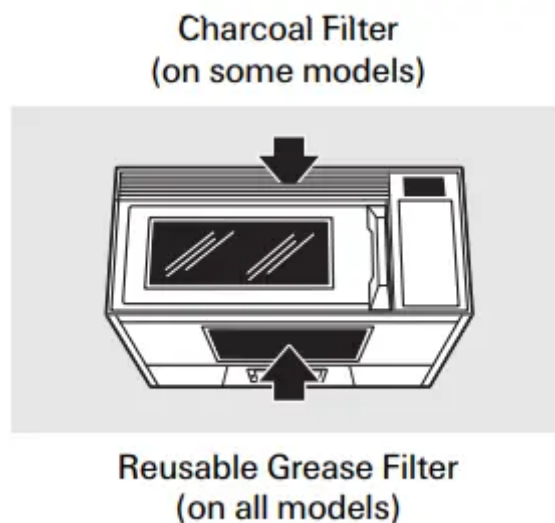
- On some models, the light cover is located in the center of the top opening. Remove the screw that secures the light cover and lift the cover off.
- On some models, the light cover is located at the left of the top opening. Lift the cover off.

4. Pinch the clips that hold the light socket in place and lift the socket out.

5. Remove the bulb from the light socket by pulling it straight out. Replace with the same size and type bulb, then replace the light socket and cover.

6. Replace the grille and screws. Connect electrical power to the oven.

About the exhaust feature



The Vent Fan

The vent fan has a metal reusable grease filter.

Models that recirculate air back into the room also use a charcoal filter.

Reusable Grease Filter

The reusable grease filter traps grease released by foods on the cooktop. It also prevents flames from foods on the cooktop from damaging the inside of the microwave.

For this reason, the filter must ALWAYS be in place when the hood is used. The grease filter should be cleaned once a month, or as needed.

Removing and Cleaning the Filter



To remove, slide it to the side using the tab. Pull it down and out.

To clean the grease filter, soak it and then swish it around in hot water and detergent. Don't use ammonia or ammonia products because it will darken the metal. Light brushing can be used to remove embedded dirt.

Rinse, shake and let it dry before replacing.

To replace, slide the filter in the frame slot at the side of the opening. Pull up and in to lock into place.

About the exhaust feature

Charcoal Filter (on some models)

The charcoal filter cannot be cleaned. It must be replaced.

For JVM1800 and JVM3600 Series models, order Part No. WB2X10733 from your GE supplier.

For JVM2000 Series models, order Part No. WB2X10956 from your GE supplier.

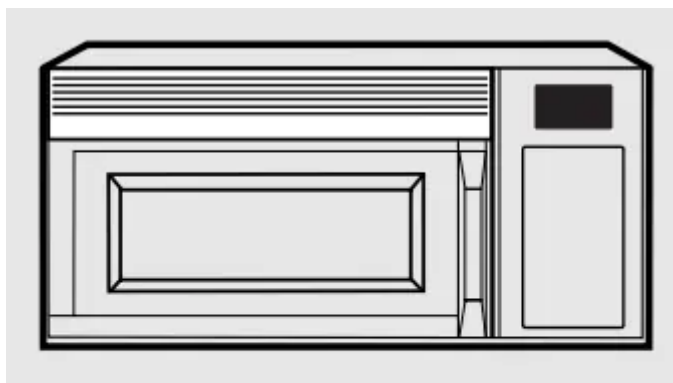
If the model is not vented to the outside, the air will be recirculated through a disposable charcoal filter that helps remove smoke and odors.

The charcoal filter should be replaced when it is noticeably dirty or discolored (usually after 6 to 12 months, depending on hood usage). See "Optional Kits", page 10, for more information.

To Remove Charcoal Filter

To remove the charcoal filter, disconnect power at the main fuse or circuit breaker panel or pull the plug.

Remove the top grille by removing the screws on top of the grille that hold it in place and sliding the grille to the left (opening the door makes grille removal easier). Slide the filter towards the front of the oven and remove it.

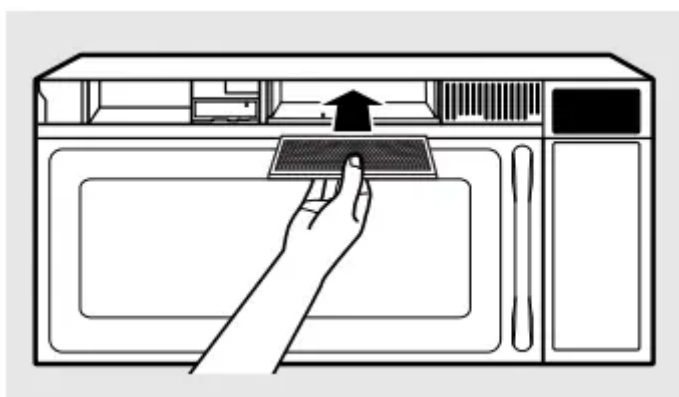


**Remove grille screws
to remove the grille.**

To Install Charcoal Filter

To install a new filter, remove plastic and other outer wrapping from the new filter.

Insert the filter into the top opening of the oven as shown. It will rest at an angle on 2 side support tabs and in front of the right rear tab. Replace the grille and screws.



Before you call for service...

Troubleshooting Tips Save time and money! Review the charts on the following pages first and you may not need to call for service.

| Problem | Possible Causes | What To Do |
|---|---|--|
| Oven will not start | A fuse in your home may be blown or the circuit breaker tripped. | <ul style="list-style-type: none"> • Replace fuse or reset circuit breaker. |
| | Power surge. | <ul style="list-style-type: none"> • Unplug the microwave oven; then plug it back in. |
| | Plug not fully inserted into wall outlet. | <ul style="list-style-type: none"> • Make sure the 3-prong plug on the oven is fully inserted into wall outlet. |
| | Door is not closed. | <ul style="list-style-type: none"> • Open and close the door securely |
| Floor of the oven is warm even when the oven has not been used | Heat from the cooktop light may make the oven floor get warm. | <ul style="list-style-type: none"> • This is normal. |
| “CONTROL LOCKED” or “LOCKED” appears on the display | The control has been locked. | Press and hold CLEAR/OFF for about 3 seconds to unlock the control. |
| “SENSOR ERROR” appears on the display | When using a Sensor feature, the door was opened before steam could be detected. | <ul style="list-style-type: none"> • Do not open door until steam is sensed and time is shown counting down on the display. |
| | Steam was not detected in maximum amount of time. | <ul style="list-style-type: none"> • Use Time Cook to heat for more time. |
| You hear an unusual, low-tone beep | You have tried to start the Reminder without a valid time of day. | <ul style="list-style-type: none"> • Start over and enter a valid time of day. |
| | You have tried to start the Auto Nite Light without a valid time of day entered for the on-time and off-time. | <ul style="list-style-type: none"> • Start over and enter a valid time of day. |
| | You have tried to change the power level when it is not allowed. | <ul style="list-style-type: none"> • Many of the oven’s features are preset and cannot be changed. |
| Food amount too large for Sensor Reheat | Sensor Reheat is for single servings of recommended foods. | Use Time Cook for large amounts of food. |



Things That Are Normal With Your Microwave Oven

- Moisture on the oven door and walls while cooking. Wipe the moisture off with a paper towel or soft cloth.
- Moisture between the oven door panels when cooking certain foods. Moisture should dissipate shortly after cooking is finished.
- Steam or vapor escaping from around the door.
- Light reflection around door or outer case.
- Dimming oven light and change in the blower sound at power levels other than high.
- Dull thumping sound while oven is operating.
- TV/radio interference might be noticed while using the microwave. Similar to the interference caused by other small appliances, it does not indicate a problem with the microwave. Plug the microwave into a different electrical circuit, move the radio or TV as far away from the microwave as possible, or check the position and signal of the TV/radio antenna.
- The Active Vent door (on some models) will open during operation, and remain open while the microwave is running, to keep the electronics cool. It is also normal to hear a clicking noise as the vent door opens and closes.

Warning

This content is compiled from multiple sources and is provided for reference purposes only. It may not be complete or fully applicable to all situations. If you are unable to resolve your issue, please contact the product manufacturer or an authorized service provider for official support.