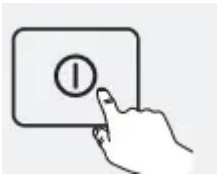
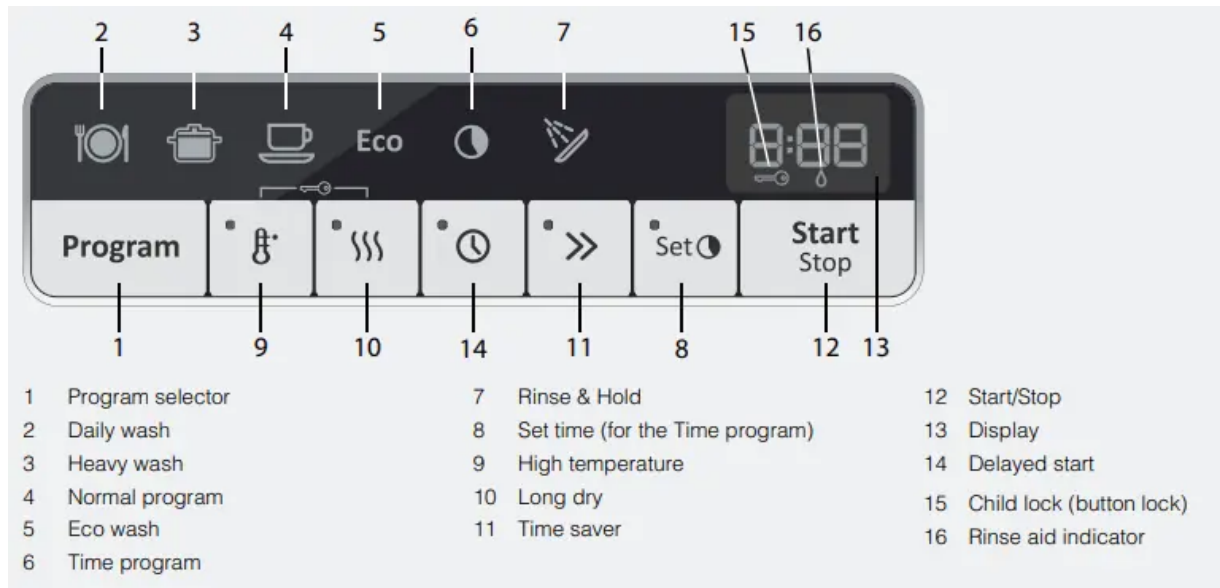


## Front panel



To start the machine, press and hold the main power switch until the display lights up.



The panel is fitted with touch buttons with audible feedback (see the chapter Settings).

## Before washing for the first time

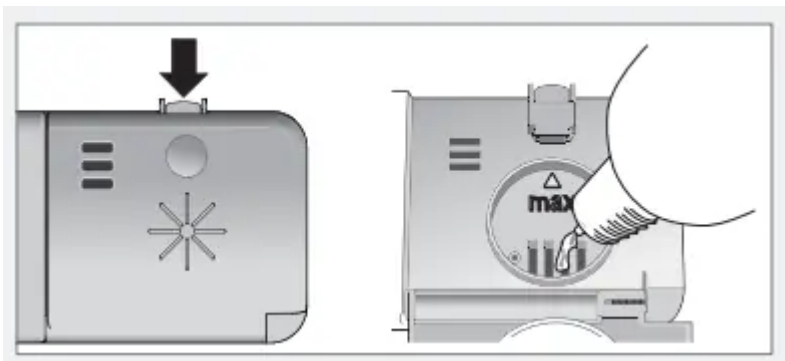
### Checking water hardness

Contact the local water utility to check the water hardness in your area. This is important with regard to how much detergent and rinse aid to use.

### Top up with rinse aid

By using rinse aid you will improve your drying result. You will also achieve a better dishwashing result with glassware and dishes.

1. Open the rinse aid compartment lid.
2. Carefully top up with rinse aid. Only add rinse aid to the level marked max.
3. Wipe up any splashes of rinse aid around the compartment.
4. Close the lid firmly.



## Refill rinse aid indicator

When the rinse aid needs topping up, the above symbol lights on the display.

### Setting the rinse aid dosage

The section Settings describes how to set the rinse aid dosage. Rinse aid dispensing can be set from (Off) to (High dose). (Factory settings: )

#### Increase the rinse aid dosage:

- If the dishes have water marks.

#### Decrease the rinse aid dosage:

- If the dishes have a sticky white/blue film.
- If the dishes are streaked.
- Build-up of foam. If you have very soft water, the rinse aid can be diluted 50:50 with water.

For water with a hardness greater than 10–12 °dH, you ought to use rinse aid with citric acid (known as acid rinse aid)

## Loading the dishwasher

### Economic dishwashing

#### Run programs only with a full load

Wait to run a program until the dishwasher is full. This way you save energy. Use the Rinse & Hold program to rinse the dishes if there are any unpleasant odours while you wait for the dishwasher to become fully loaded.

#### Run programs at a lower temperature

If the dishes are only slightly dirty, you can select a lower temperature with certain programs. See also the section Selecting Options in the chapter Using the dishwasher.

#### Select a program with the option Short dry

To save energy, use Short dry. The drying result will be better if, once the program is finished, you leave the door slightly open.

### **Do not rinse under running water**

Simply scrape off large food particles before loading the dish washer.

### **Choose a green detergent**

Read the environmental declaration on the packaging!

### **Connect to cold water...**

If you use oil or electricity to heat your home.

### **Connect to hot water (max. 70 °C)...**

If you use district heating, solar power or geothermal power to heat your home. Choosing a hot water connection cuts program times and reduces the dishwasher's electricity consumption.

## **Fragile dishes**

Some cookware is not dishwasher safe. This can be for several reasons. Some materials cannot withstand strong heat, others can be damaged by dishwashing detergent.

### **Fragile decoration**

Porcelain with decoration on top of the glazing (the items feel rough) should not be washed in a dishwasher.

### **Crystal/Glass**

Place items so that they do not touch each other during the wash. Use a short program with the lowest possible wash temperature. Select Short dry. Delicate and very fragile items should not be washed in a dishwasher.

Glassware washed in a dishwasher at high temperatures can gradually develop a grey film that cannot be removed. Wash fine glassware at a low temperature and with a small amount of detergent.

### **Silver**

Silver and stainless steel items should not come into contact, as the silver can become discoloured.

### **Cutlery with glued handles**

Some types of glue are not dishwasher safe. In such cases, the handles may loosen.

### **Wood**

Wooden items should only be washed in a dishwasher if marked dishwasher safe.

### **Aluminium**

Aluminium can lose its shine if washed in a dishwasher. However, good quality aluminium pans can be washed in a dishwasher, even if some of the shine will be lost.

### **Plastic items**

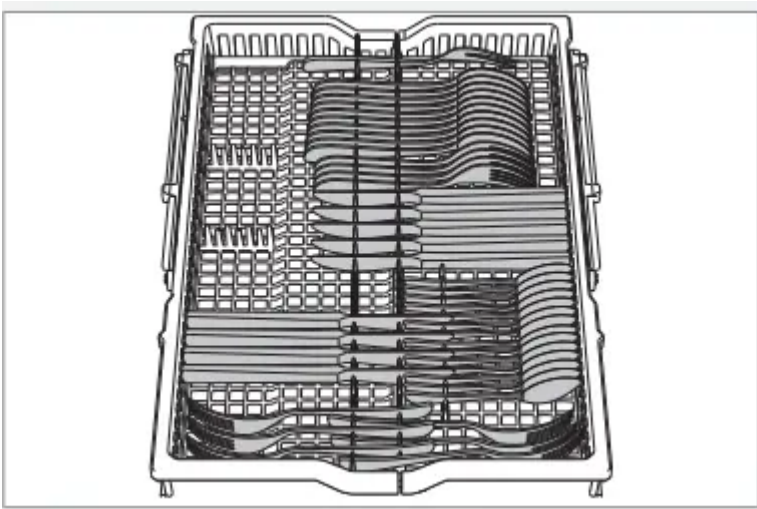
Avoid washing plastic items that cannot withstand high temperatures.

### **The dishwasher's baskets**

The dishwasher is equipped with a top cutlery tray, an upper basket and a lower basket with cutlery basket.

### **Top cutlery tray**

The top cutlery tray has space for cutlery, ladles, whisks, serving cutlery and similar items.

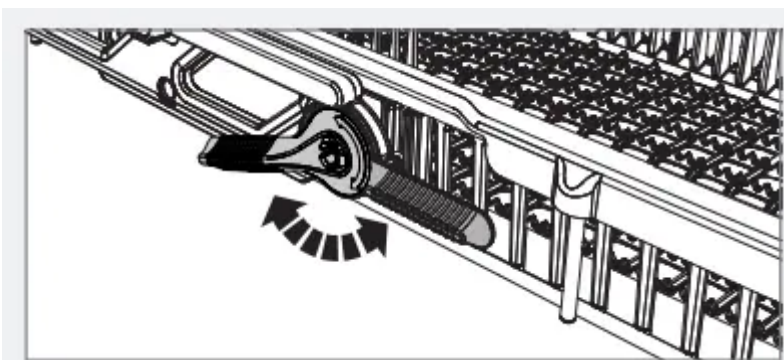


### **Raising the top cutlery tray**

1. Pull out the top cutlery tray.
2. Pull the two locking handles on either side forward to raise the top cutlery tray.

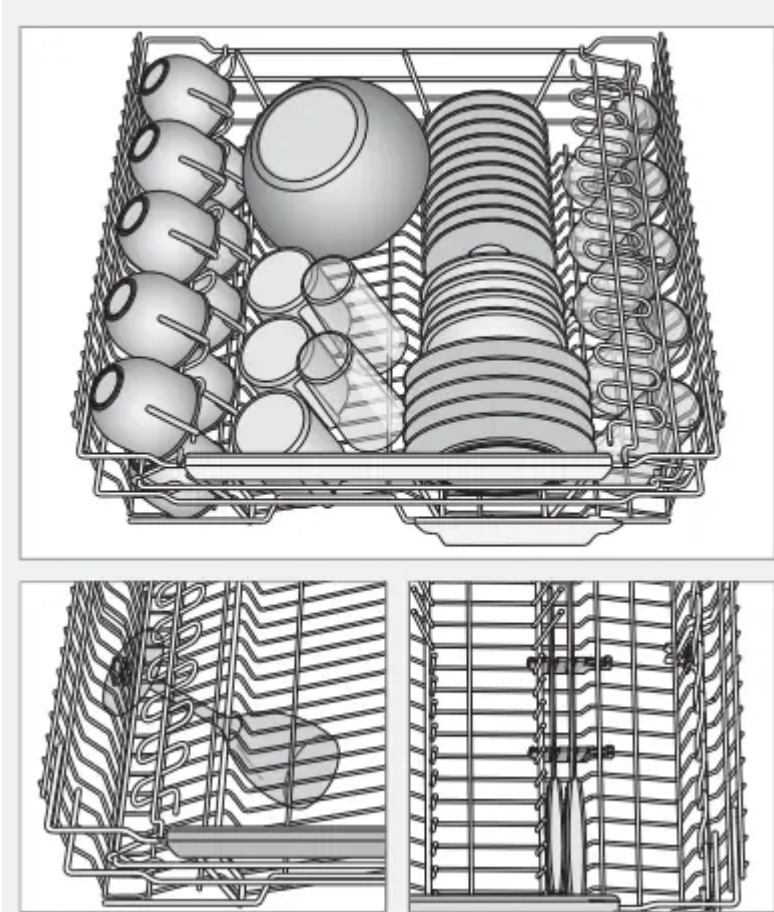
### **Lowering the top cutlery tray**

1. Pull out the top cutlery tray.
2. Slide the two locking handles on either side downwards and backwards to lower the top cutlery tray.



## Upper basket

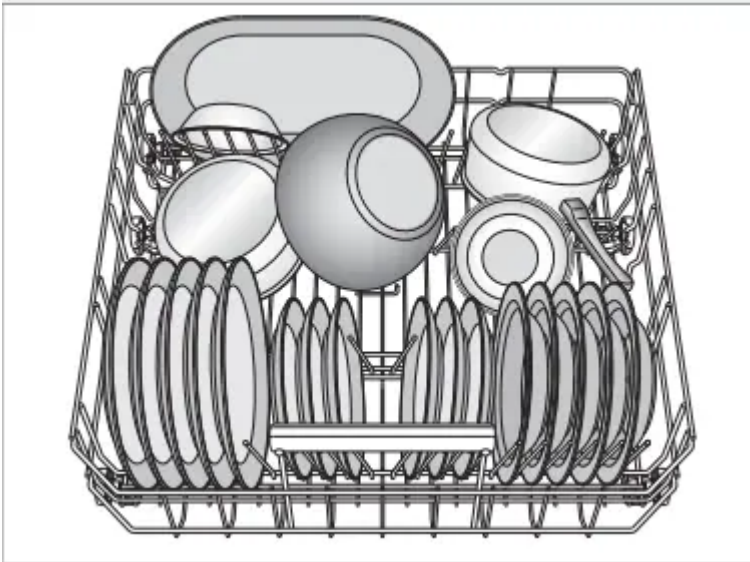
Place glasses, cups, bowls, side plates and saucers in the upper basket. All dirty surfaces should face inwards and downwards! Wine glasses are placed on the wine glass shelf and knives are placed in the knife stand on the right (if fitted).



## Lower basket

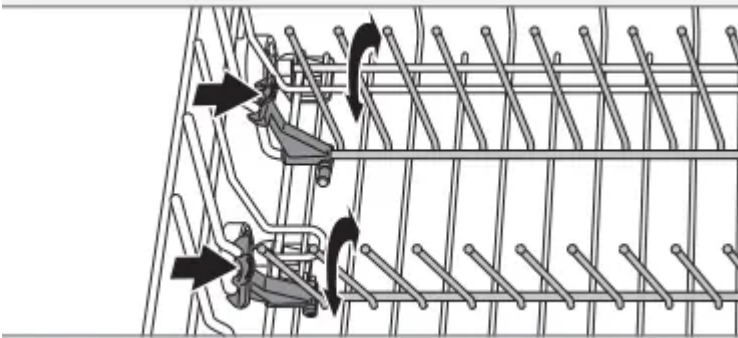
Place plates, side plates, serving dishes, pots and cutlery (in the cutlery basket) in the lower basket.

Place pots and pans in the rear right part of the lower basket to achieve the best dishwashing results from the rear of the two spray nozzles (Power Zone™ Pot & Pans), which are intended for these types of dishes.



### **Foldable tines**

Lower the foldable tines (plate supports) when washing pots or large items.



### **Washing large plates**

Move the foldable tines and their mounts to widen the distance between the tine rows to adapt the lower basket to plates with a diameter greater than 25 cm.

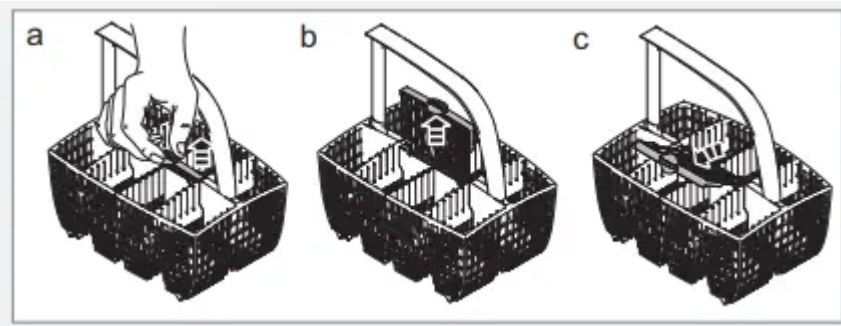
### **Cutlery basket**

Place cutlery with the handles facing down, except for knives, and spread them out as much as possible. Ensure that spoons do not stack inside each other.

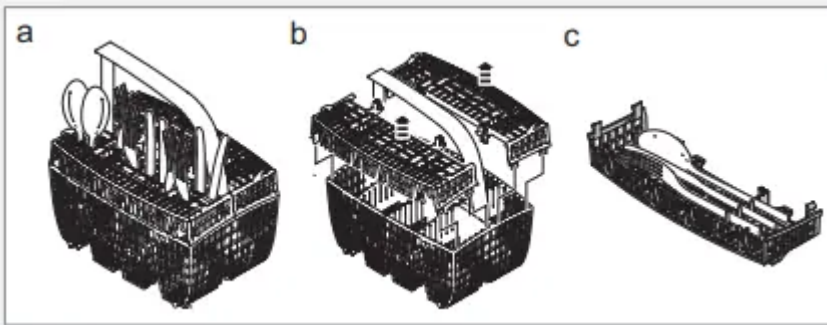
The cutlery basket is best placed in the middle at the front of the lower basket to best utilise dishwashing performance from the unique spray nozzle (Power Zone™ Cutlery), which is intended for the cutlery basket.

### **Fold-down section for small items**

The cutlery basket has a fold-down section in the middle for small items, or small shafts, such as electric whisk attachments.

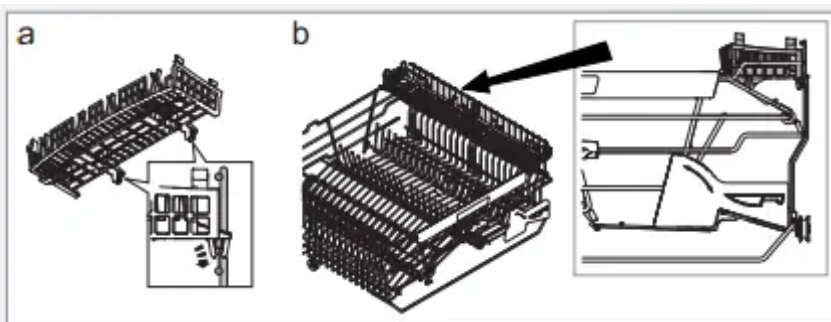


**Cutlery basket with lid**



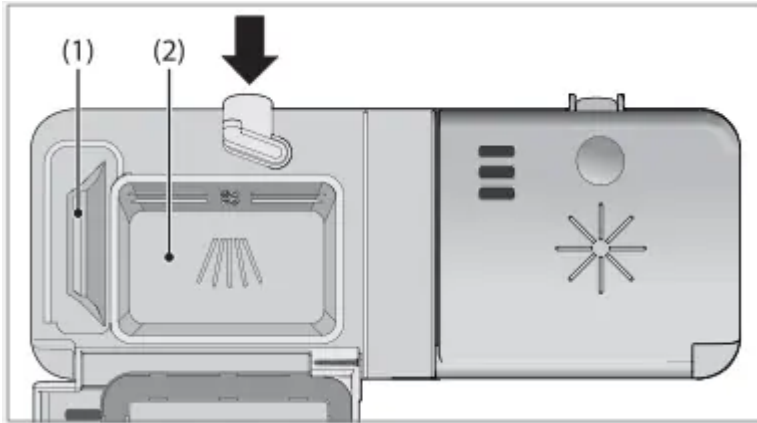
**Positioning of cutlery basket lid (in upper basket)**

The cutlery basket lid can be removed and used, for example, as an extra cutlery basket in the upper basket (see below)



# Using the dishwasher

## Add detergent



1 Prewash detergent compartment

2 Main wash detergent compartment

Detergent is added according to water hardness.

Follow the instructions on the detergent packaging.

Too much detergent can result in less effective dishwashing and also entails greater environmental impact.

Add the detergent to the detergent compartment. There is a compartment for the prewash and one for the main wash. If powder and liquid dishwasher detergents are used, add a small amount of the detergent to the prewash compartment. Contact the detergent manufacturer if you have any questions about the detergent.

## Dishwasher tablets

Halve the tablet if it is difficult to close the dispenser lid. There is a risk that the detergent will not be released properly if the lid is tight and will not open correctly.

## 3-in-1/All-in-one detergent

Read through the directions for these products carefully. If anything is unclear, contact the detergent manufacturer.

## Program selection

Press the Program selector one or more times until the desired program symbol lights.



**Daily wash**

A program suitable for day-to-day dishwashing. This program can also clean dried leftovers, but is not intended for burnt food, such as on oven dishes.



### Heavy wash

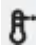

Program for very dirty dishes, such as pans, casserole dishes and oven dishes. If these dishes do not completely fill the dish washer, you can add plates and the like.



### Normal program

Use to wash normally dirty dishes, such as plates, serving dishes, cups, glasses and so on.

For washing normally soiled mixed loads, with the best energy and water performance, use the Normal program; low temperature, short drying (no options).

If you want to improve the dishwashing and drying result activate the options high temperature  and long drying . This causes a slight increase in energy consumption.



### Eco wash

The High temperature option must be selected to access the program used to compile the information for energy labelling.

Use when you want to save water. For normally dirty dishes.



### Time program

The program adapts to the specified running time or finish time.

With this program it is important to choose a time suited to how dirty the dishes are.

0:30-1:15 Slightly dirty dishes

1:30-2:00 Normally dirty dishes

2:15-3:00 Very dirty dishes

To set the program time, see the section Selecting Options.



### Rinse & Hold

Used to rinse dishes while you wait for the dishwasher to become fully loaded.

## Selecting Options

To select an option, press one of the option buttons. The field next to the button lights when the option is activated. The available options depend on the selected program. Once you have started the program, the options you selected are saved for the next time you use the same program. An exception is the Delayed start option.

## Set Set time




Press the option button several times – or hold it in – to set the desired program time for Time program. You can choose a program time between 30 minutes and 3 hours.

## High temperature

Activate this option for improved dishwashing results. The machine then uses a higher temperature for the main wash. This option cannot be activated if the Time saver option is selected.

If you want to use the lower temperature, press until the field next to the button turns off.

You can vary the temperature as shown below:

	Heavy wash:	60 °C / 70 °C
	Normal program:	48 °C / 65 °C
	Daily wash:	60 °C / 65 °C
<b>Eco</b>	Eco wash:	53 °C / 60 °C

## Long dry

The higher temperature in the final rinse and longer drying improves the drying result if you activate the Long dry option. This causes a slight increase in energy consumption. This option can be used with all programs except Time program. This option cannot be activated if the Time saver option is selected.

If you want a program with Short dry, press so that the field next to the button turns off.

## Time saver

This option shortens the program time, but uses more energy and water. This option can be selected with Daily wash, Heavy wash or Normal program.

## Delayed start

When you select Delayed start, the dishwasher will start 1–24 hours after you press the Start/Stop button.


1. Press the button once to activate Delayed start. Press the button several times – or hold it in – to set the desired number of hours.
2. Press Start/Stop and the dishwasher counts down 1 hour at a time and starts after the selected delay.

Press and hold Start/Stop for five seconds if you want to cancel the Delayed start option.

NOTE!

Remember to press the Start/Stop button to start the program.

## Start the dishwasher

Press and hold Start/Stop until the display flashes three times with the remaining time. This indicates that the program has started. Close the door properly, otherwise the dishwasher will not start. The display indicates  if the door is open.

## Time remaining

Once you have selected a program and options, the display indicates how long the program took the last time it was used. Once you have started the dishwasher, the display indicates how much program time remains. The remaining time is updated after the water for the final rinse has been heated.

This may differ somewhat from time to time depending on the temperature of the water supply, the amount of dishes, the ambient temperature and other factors.

The time counts down while the program is running and the remainder of the program is displayed. The remaining time is displayed e.g. 1:15, meaning that 1 minute 15 seconds of the program remains.

NOTE!

During the first run of each program, the remaining time displayed can be slightly misleading, as the dishwasher is estimating the time. When you run the program a second time, the dishwasher will calculate the remaining time based on the previous duration of the program.

## Stopping or changing a program

In order not to accidentally press a button and cancel the current program, you must press and hold Start/Stop for five seconds if you want to change programs after starting the dishwasher. Add more detergent if the lid of the detergent dispenser has opened. Then choose a new program and press Start/Stop.

## Do you want to add more dishes?

Open the door. The dishwasher stops automatically. Add the dishes, close the door and the dishwasher continues the program.

## If the dishwasher is turned off using the main power switch or due to a power failure

If the dishwashing program was not finished, the interrupted program continues when power is restored.

NOTE!

During drying, the program is interrupted if the power is cut or the door is open for more than 2 minutes.

## Once the program has finished

Once the program has finished, "End" appears on the display.

At the end of the program, you will hear a short beep. Chapter Settings describes how to change this function.

Once the dishwasher has finished, it only uses standby power.


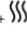
Turn off the dishwasher with the main power switch if you want to cut the power completely. Shut off the water supply valve after every use.

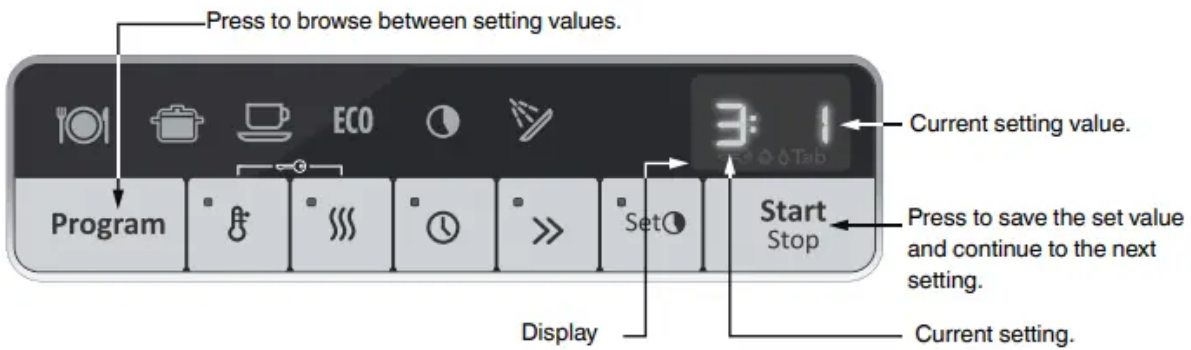
## Drying

For additional drying the door should be opened 35 mm upon completion of the drying cycle


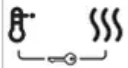


## Settings

Do as follows to open the settings menu:








	Button press	Description
1.		Turn off the dishwasher using the main power switch. Wait about five seconds. Then press the main power switch again. Wait until the numbers appear in the right-hand display before continuing to the next step.
2.	Program + 	Within five seconds, press and hold the Program selector (wait for the audible signal confirming the button press) and then immediately press the Long dry button without releasing the Program selector.
		Keep the buttons pressed until the symbols for the Daily wash and Rinse & Hold programs start to flash.



**You can now adjust the following settings:**

Button press	Options	Settings	Description
	<ul style="list-style-type: none"> <li>⏏ (Off)</li> <li>I (On)</li> </ul>	<b>Child lock</b> (Kid Safe™)	<p>You can activate the child lock (button lock) option to prevent children from starting the dishwasher. Press the High temperature and Long dry buttons simultaneously to temporarily deactivate the button lock when you want to start the dishwasher. The button lock is automatically reactivated after 2 minutes.</p> 
	Press Start/Stop to save the setting value and continue to the next setting. If you do not want to change any other settings, keep pressing Start/Stop to step through the entire settings menu.		
	<ul style="list-style-type: none"> <li>⏏ (Off)</li> <li>I (Low)</li> <li>2</li> <li>3</li> <li>4 (High)</li> </ul>	<b>Buzzer volume</b>	The dishwasher uses a buzzer to indicate when a program is finished or when a fault has occurred.



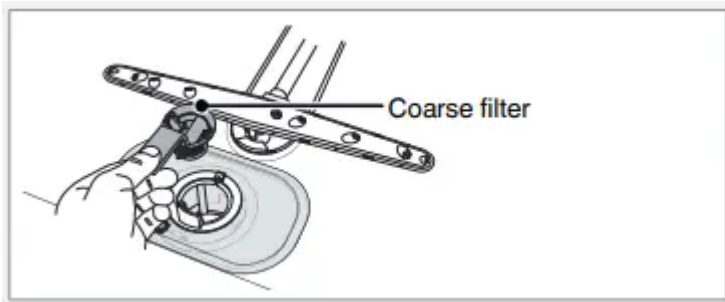
Button press	Options	Settings	Description							
	Press Start/Stop to save the setting value and continue to the next setting.									
	<table border="1"> <tr><td>⊖: 0 (Off)</td></tr> <tr><td>⊖: 1 (Low)</td></tr> <tr><td>⊖: 2</td></tr> <tr><td>⊖: 3</td></tr> <tr><td>⊖: 4 (High)</td></tr> </table>	⊖: 0 (Off)	⊖: 1 (Low)	⊖: 2	⊖: 3	⊖: 4 (High)	<b>Operation volume</b>	This sound is used to confirm each button press.		
⊖: 0 (Off)										
⊖: 1 (Low)										
⊖: 2										
⊖: 3										
⊖: 4 (High)										
	Press Start/Stop to save the setting value and continue to the next setting.									
	<table border="1"> <tr><td>⊖: 1 (Low)</td></tr> <tr><td>⊖: 0</td></tr> <tr><td>⊖: 1</td></tr> <tr><td>⊖: 2</td></tr> <tr><td>⊖: 3 (High)</td></tr> </table>	⊖: 1 (Low)	⊖: 0	⊖: 1	⊖: 2	⊖: 3 (High)	<b>LCD contrast</b>	For adjusting the contrast of the display.		
⊖: 1 (Low)										
⊖: 0										
⊖: 1										
⊖: 2										
⊖: 3 (High)										
	Press Start/Stop to save the setting value and continue to the next setting.									
	<table border="1"> <tr><td>⊖: 0 (Off)</td></tr> <tr><td>⊖: 1 (Low dosage)</td></tr> <tr><td>⊖: 2</td></tr> <tr><td>⊖: 3</td></tr> <tr><td>⊖: 4</td></tr> <tr><td>⊖: 5</td></tr> <tr><td>⊖: 6 (High dosage)</td></tr> </table>	⊖: 0 (Off)	⊖: 1 (Low dosage)	⊖: 2	⊖: 3	⊖: 4	⊖: 5	⊖: 6 (High dosage)	<b>Rinse aid</b>	Rinse aid dosage setting.
⊖: 0 (Off)										
⊖: 1 (Low dosage)										
⊖: 2										
⊖: 3										
⊖: 4										
⊖: 5										
⊖: 6 (High dosage)										
	Press Start/Stop to exit the settings menu.									

## Care and cleaning

### Coarse filter

The coarse filter traps larger food particles, which cannot get past the drainage pump. Empty the coarse filter as necessary.

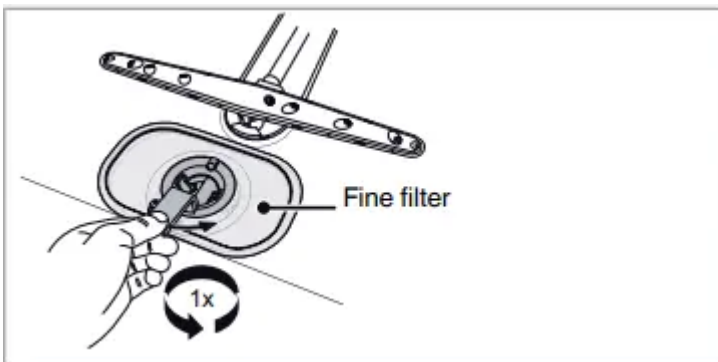
- 1 Lift the coarse filter by the handle.
- 2 Empty the coarse filter. Remember to replace it!



## Fine filter

Debris that collects on the fine filter is automatically rinsed away during each wash. However, the fine filter and its pipe section should be cleaned a couple of times a year.

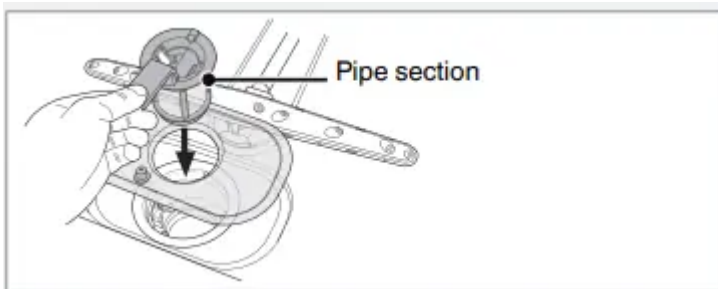
1 Turn the handle anticlockwise once.



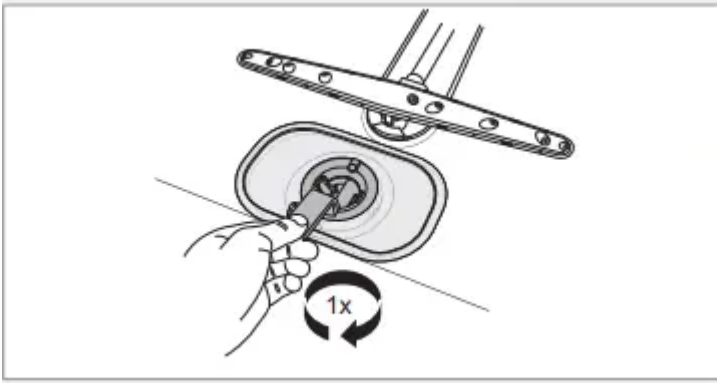
2 Lift the pipe section straight up by the handle. Free the coarse filter to clean the pipe section.

3 Remove and clean the fine filter.

4 Replace in reverse order. Check that the edges seal properly when replacing the fine filter.



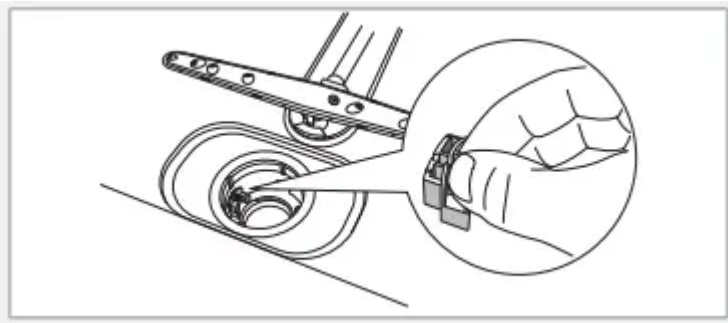
5 Lock the filter in place by turning the handle clockwise to the stop position. The handle should point straight out from the dishwasher.



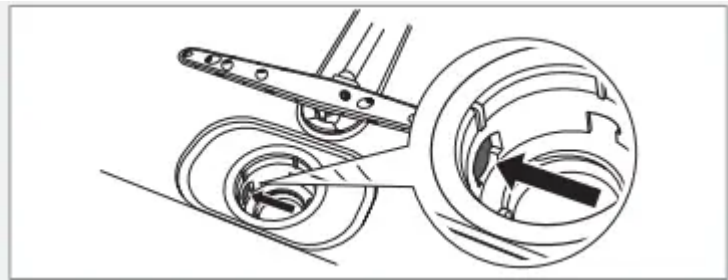
## Drainage pump

The pump can be accessed from inside the dishwasher.

- 1 Cut the power to the dishwasher by pulling out the plug from the wall socket!
- 2 Remove the coarse filter and pipe section.
- 3 Remove the small yellow fitted piece at the left of the bottom drain (see illustration below).



- 4 By inserting your finger into the hole you can turn the pump blade to release anything blocking it.

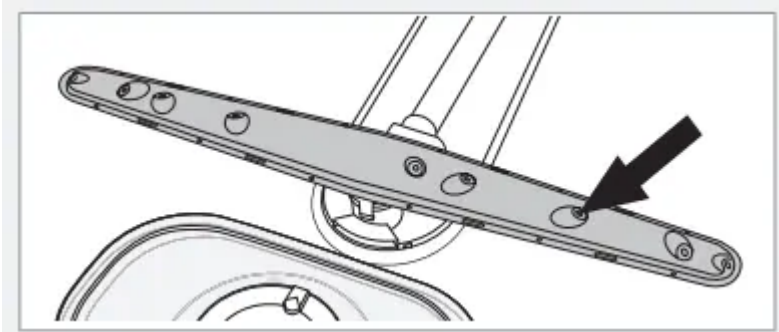


- 5 Reinstall the fitted piece and filters.
- 6 Plug the machine in again. If the dishwasher still does not start and a whirring sound is heard, the overflow protection has been activated.

- Shut off the water.
- Remove the plug from the wall socket.
- Call the service division.

## Spray arms

Holes and bearings can sometimes become blocked. Remove any debris using a pin or something similar. The spray arms also have holes on their undersides. To facilitate cleaning, you can remove the spray arms. Do not forget to replace them.

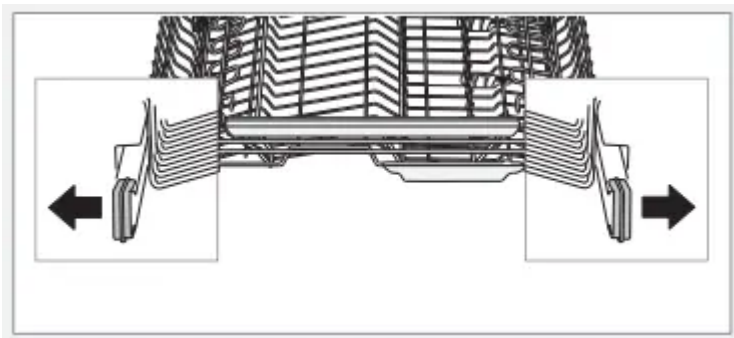


### Lower spray arm

- Pull the lower spray arm straight up to release it.

### Upper spray arm

- The upper basket must be removed before the upper spray arm can be released. Pull out the upper basket and turn the basket catch on each runner outwards (see illustration). The basket can now be removed.



- Pull the upper spray arm straight up to release it.

### Top spray arm

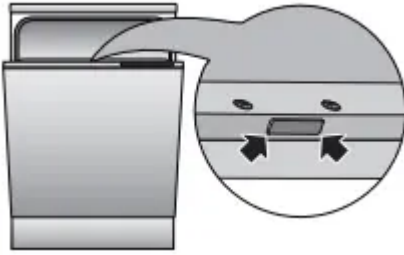
- The upper basket must be removed before the top spray arm can be released. See section Upper spray arm.
- Pull out the top cutlery tray. Press the top spray arm up and unscrew the spray arm bearings counter-clockwise to remove the spray arm.

## Door

When cleaning the edge around the door, use only a slightly damp cloth (with a little cleaner if necessary).

**WARNING!**

Do not use a spray bottle or the like around the door lock. This is to ensure that water does not penetrate the door catch and come into contact with the electrical components.



### Limescale deposits

The dishwasher tub is made of stainless steel and is kept clean through normal use. However, if you have hard water, limescale deposits may form in the dishwasher. If this happens, run the Normal program program with high temperature and two table spoons of citric acid in the detergent compartment (with no dishes in the machine).

### Front panel

Keep the touch buttons clean and free from grease. Wipe them clean with a dry or slightly damp cloth. Never use cleaners – they can scratch the surface. Use the main power switch to turn off the dishwasher before cleaning the touch buttons to avoid activating any buttons unintentionally.

### Troubleshooting

Display	Type of fault	Action
F: 10	Overfilling	Call the service division.
F: 11	Water outlet fault	See "Water remains in the dishwasher" in the table below.
F: 12	Water inlet fault	Check that the water tap is on. Check whether dishwasher inlet hose is connected to a pressure limiting valve (some pressure limiting valves may restrict the supply of water to the dishwasher)
F:40	Inlet valve leakage	Turn off the water tap and call the service division.

Turn off the machine with the main power switch and then turn it on again to clear the error message from the display.

<b>Problem</b>	<b>Possible causes</b>	<b>Action</b>
The dishes are not clean.	The spray arms do not rotate.	Remove the arms and clean them.
		Check that the dishes are not blocking the spray arms.
	Old detergent. Detergent is a perishable product.	Avoid large packages.
	Incorrect detergent dosage.	Dose according to water hardness. Far too much or far too little detergent results in poorer dishwashing results.
	Dishwashing program too weak	Select a higher temperature or a more powerful program.
	Dishes loaded incorrectly.	Do not cover porcelain with large bowls or the like. Avoid placing very tall glasses in the corners of the baskets.
	Glasses and cups have toppled over during the program.	Place dishes to sit steady
	The filter is not correctly fitted.	Screw the filter firmly into place. See the section Care and cleaning.
Spots or films on the dishes	Incorrect rinse aid dosage setting.	See the sections Before washing for the first time and Settings.
	Too high temperature and/ or too much detergent can cause etching on crystal. Unfortunately, this cannot be repaired, only prevented.	Wash crystal at a low temperature and with a conservative amount of detergent. Contact the detergent manufacturer.
The dishes have a sticky white/ blue film.	Rinse aid dosage setting too high.	Reduce the amount. See the sections Before washing for the first time and Settings. If you have very soft water, you may want to

<b>Problem</b>	<b>Possible causes</b>	<b>Action</b>
		dilute the rinse aid 50:50 with water.
Spots on stainless steel or silver.	Some foodstuffs, such as mustard, mayonnaise, lemon, vinegar, salt and dressings, can mark stainless steel if left for too long.	Rinse off these types of foodstuffs if not starting the dishwasher immediately. Why not use the Rinse & Hold program.
	All stainless steel can cause spots on silver if they come into contact during dishwashing. Aluminium can also cause spots on dishes.	Silver and stainless steel items should not come into contact during dishwashing.
Spots left after washing.	Lipstick and tea can be difficult to wash off.	. Use a detergent with a bleaching agent
Rattling sound when dishwashing.	The dishes are not correctly placed or the spray arms are not rotating	Check that the dishes are placed securely. Spin the spray arms to make sure they can rotate.
The dishwasher does not start.	The Start/Stop start button has not been pressed for long enough.	Press and hold Start/Stop until the display flashes three times with the remaining time.
	The door is not properly closed.	Check
	A fuse/circuit breaker has been tripped.	Check
	The plug is not plugged into the wall socket.	Check
	The water tap is turned off.	Check
	Overflow/leaks	Check
	A whirring sound (the drainage pump) is heard	Turn off the water tap. Pull out the plug and call the service division.

<b>Problem</b>	<b>Possible causes</b>	<b>Action</b>
	from the dishwasher and does not stop when the main power switch is turned off.	
	Check that the Delayed start option has not been selected.	Press and hold Start/Stop for five seconds if you want to cancel the Delayed start option.
1 minute appears in the display.	The program is taking longer than estimated.	None, next time the program is run the corrected time will be displayed
Water remains in the dishwasher.	Blocked drainage hose.	Loosen the drainage hose where it connects to the sink unit's water trap. Check that no debris has fastened. Is the cone-shaped part of the pipe cut to an inner diameter of at least 14 mm?
	Kink in drainage hose	Check that the hose is free from kinks and sharp bends.
	The filters are blocked.	Clean the coarse and fine filters
	The filter is not locked in completely.	Ensure filter is completely locked with handle pointing towards the door.
	Debris in the drainage pump.	Clean the drainage pump. See the section Care and cleaning.
Bad odour in dishwasher.	Dirt around the seals and in corners.	Clean with washing-up brush and low foaming cleaner.
	Low temperature programs have been selected for a prolonged period.	Run a program with a higher temperature about once a month.
The dishes are not dry enough.	Drying power too low.	Activate the Long dry option.
	The dishwasher is not fully loaded.	Fully load the dishwasher.

Problem	Possible causes	Action
	Rinse aid needs topping up or dosage is set too low.	Top up with rinse aid or increase the rinse aid dosage. See the sections Before washing for the first time and Settings.
		Open the door a little once the program has finished.
Cannot close door.	The baskets are not correctly positioned.	Check that the baskets are correctly positioned horizontally
		Check that the dishes are not blocking the baskets from sliding properly into place.
The touch buttons do not react when pressed.	You have pressed the touch buttons too soon after opening the door.	Wait a moment then try again.
	Dirt on the touch buttons.	Clean with a dry or slightly damp cloth.
	Child lock (button lock) activated.	See the section Settings.

### Warning

This content is compiled from multiple sources and is provided for reference purposes only. It may not be complete or fully applicable to all situations. If you are unable to resolve your issue, please contact the product manufacturer or an authorized service provider for official support.