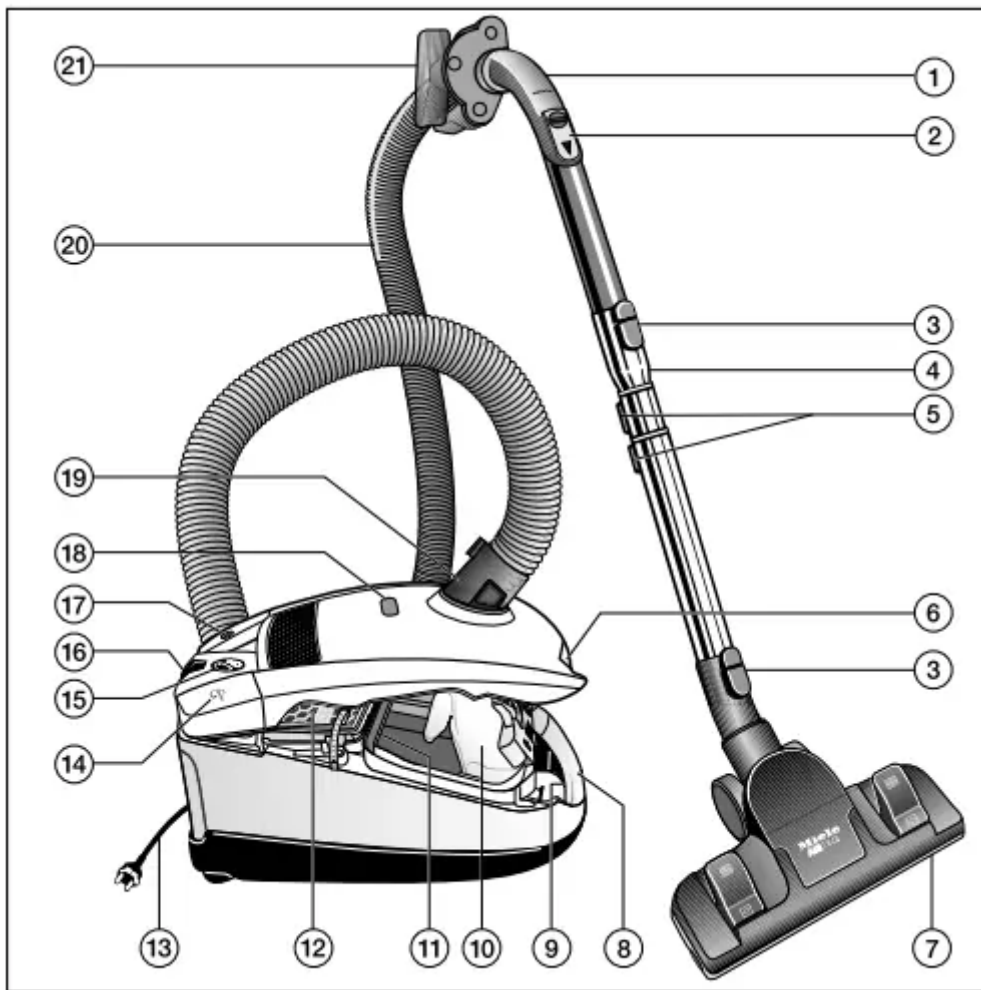




Appliance description



1. XXL handle *
2. Air inlet valve *
3. Release buttons *
4. Telescopic suction wand release mechanism *
5. Telescopic suction wand *
6. Dust compartment lid release button
7. Floorhead *
8. Carrying handle
9. Socket for Electrobrush *
10. Original Miele FilterBag
11. Motor protection filter
12. Original Miele exhaust filter *

13. Power cord *
14. Foot switch for automatic cord rewind 
15. Rotary selector
16. Park system for pauses during vacuuming
17. On/off  foot switch
18. FilterBag change indicators
19. Connection socket *
20. Suction hose *
21. Accessories holder with three accessories

Park system for storage (on both sides of the vacuum cleaner - not shown)

*These features are model-specific and may vary or may not be available on your vacuum cleaner.

References to illustrations

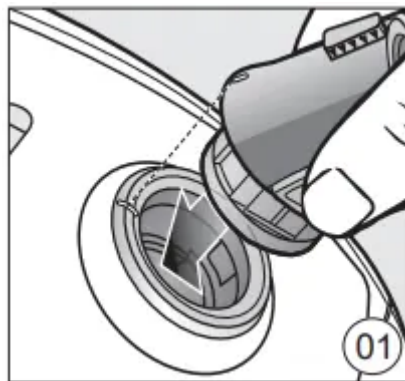
The illustrations referred to in the text are shown on the fold-out pages at the end of these Operating Instructions.

Electrobrush / Turbobrush Operating Instructions

Your vacuum cleaner is equipped with an Electrobrush or Turbobrush as standard. Please read the separate operating instructions supplied with the Electrobrush or Turbobrush before using it for the first time.

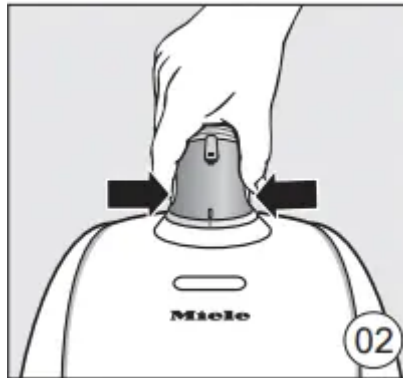
Preparing for use

Attaching the suction hose (Fig. 01)



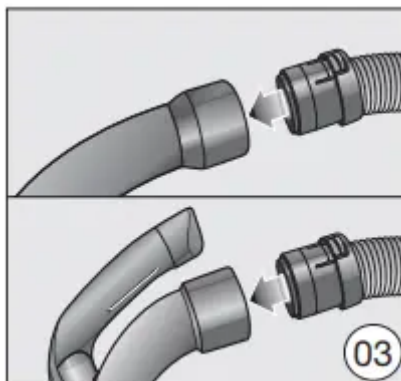
- Insert the hose connector into the suction socket on the vacuum cleaner until it clicks into position. To do this, line up the guides on the two pieces.

Disconnecting the suction hose (Fig. 02)



- Press the release buttons at the side of the hose connector, and lift the hose from the socket.

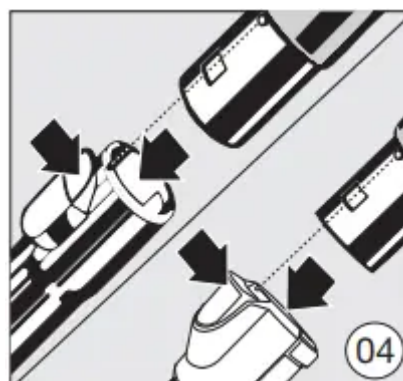
Connecting the suction hose to the handle (Fig. 03)



(required depending on model)

- Insert the suction hose into the handle until it clicks into position.

Connecting the handle to the wand (Fig. 04)



- Insert the handle into the wand until it clicks into position. To do this, line up the guides on the two pieces.

- To release the handle from the wand, press the release button and pull the handle out of the wand, twisting it slightly as you do so.

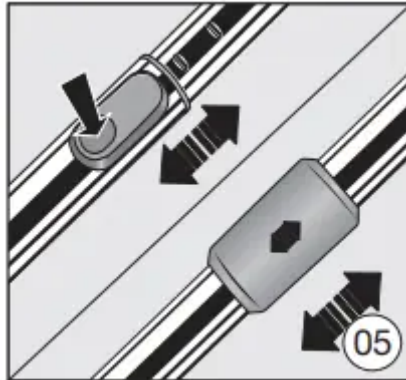
Adjusting the telescopic suction wand

Depending on the model, your vacuum cleaner will be fitted with one of the following suction wands:

- Telescopic suction wand
- Comfort telescopic suction wand

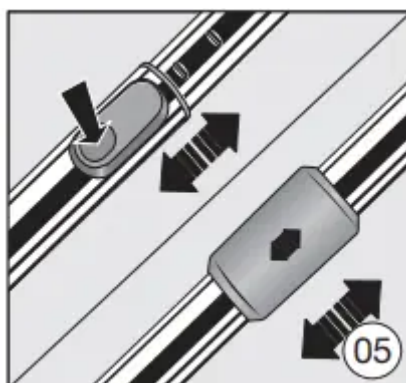
One part of the telescopic suction wand is packed inside the other and it can be adjusted to suit your height for comfortable vacuuming.

Telescopic suction wand (Fig. 05)



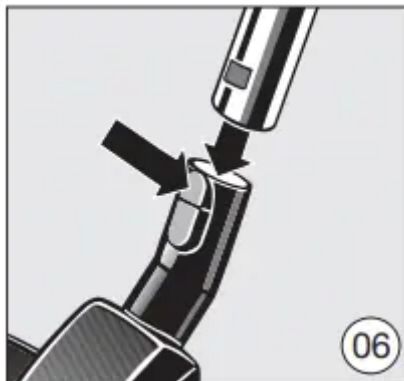
- Press the release button and adjust the telescopic suction wand to the required length.

Comfort telescopic suction wand (Fig. 05)



- Grasp the release mechanism and adjust the telescopic suction wand to the required length.

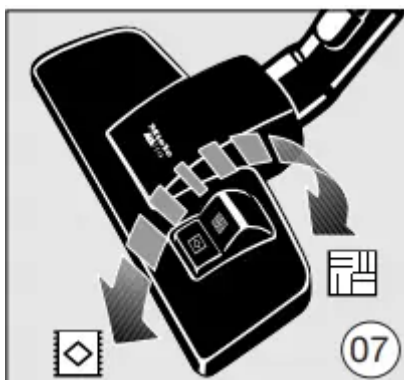
Connecting the telescopic wand to the floorhead/floorbrush (Fig. 06)



(included as standard depending on model)

- Push the telescopic wand into the suction nozzle and turn it clockwise or counter-clockwise until it clicks into position.
- To detach these parts from each other, press the release button and pull the telescopic wand out of the suction nozzle, twisting it slightly as you do so.

Adjusting the floorhead (Fig. 07)



(only for models with a reversible floorhead included in the standard version)

This vacuum cleaner can be used for the everyday cleaning of carpets, rugs and hard flooring.

Miele offers a range of other floorheads, brushes and accessories for other types of flooring and special applications (see Optional accessories”).

Please always follow the flooring manufacturer’s cleaning and care instructions

Vacuum carpets and rugs with the brush retracted:

- Press the foot switch 

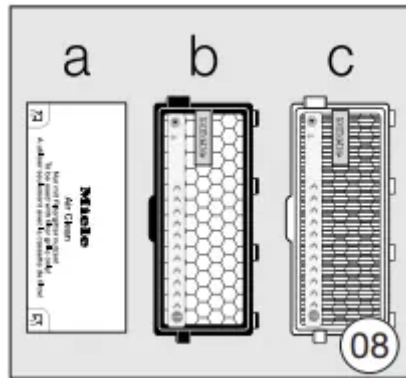
Clean hard flooring which is not susceptible to scratching, and flooring with gaps or deep crevices in it with the brush protruding:

- Press the foot switch .

If the suction power of the adjustable floorhead seems too high, reduce the suction until the floorhead is easier to maneuver (see “Use – Regulating the suction power”).

Activating the TimeStrip® exhaust filter change indicator on the exhaust filter

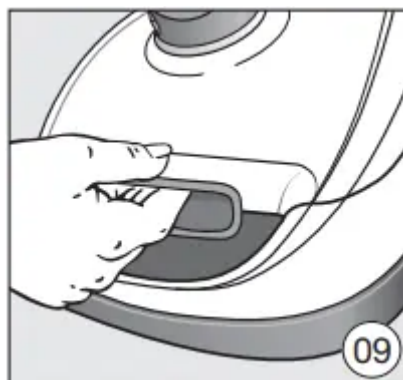
Depending on the model, your vacuum cleaner will be fitted as standard with one of the following exhaust filters (Fig. 08).



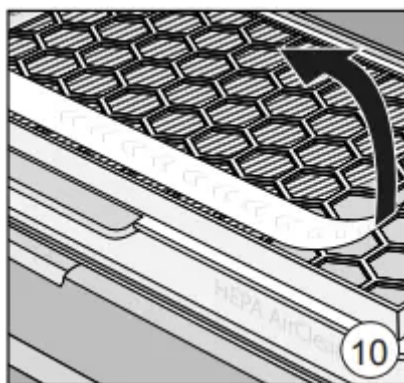
- a AirClean
- b Active AirClean 50 (black)
- c HEPA AirClean 50 (white)

If your vacuum cleaner is fitted with exhaust filter b or c, you need to activate the TimeStrip® exhaust filter change indicator

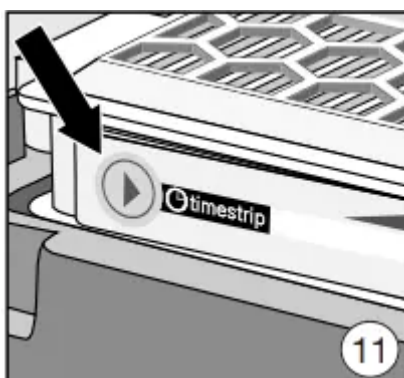
- Press the release button on the recessed grip and raise the dust compartment lid as far as it will go (Fig. 09).



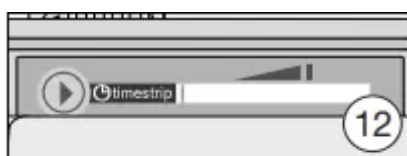
- Remove the indicator strip (Fig. 10).



- Press the TimeStrip® exhaust filter change indicator (Fig. 11).



After approx. 10–15 seconds a thin red line will appear in the left-hand side of the display (Fig. 12).

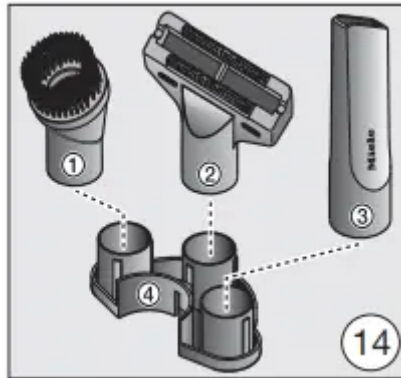


- Close the dust compartment lid securely, making sure it clicks into position. Take care not to trap the FilterBag when doing so.

How the TimeStrip® exhaust filter change indicator works

The TimeStrip® exhaust filter change indicator shows the remaining functional life of the exhaust filter. After approx. 50 operating hours, or approx. one year of average use, the display will be completely filled with red (Fig. 13).

Using the accessories supplied (Fig. 14)



1 Dusting brush with natural bristles

For cleaning baseboards, as well as ornate, carved or particularly delicate objects.

The head can be swiveled to adjust the angle.

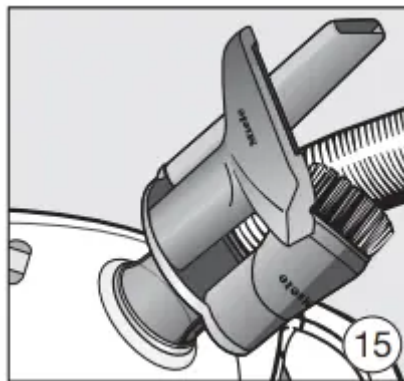
2 Upholstery nozzle

For cleaning upholstery, mattresses, cushions, curtains, etc.

3 Crevice nozzle

For cleaning in folds, crevices or corners.

4 Accessories holder for the above three accessories (Fig.15)



Symbols on the holder show where to attach the different accessories.

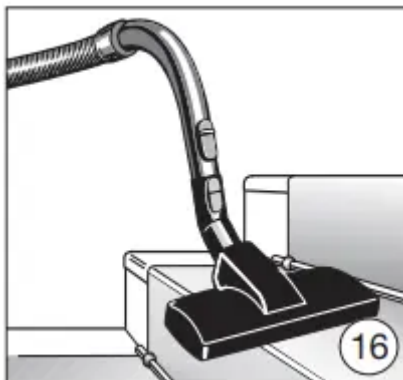
- Attach the accessories holder to the suction hose where it joins the handle or to the hose connector socket on the vacuum cleaner. Make sure it clicks into position.

Some models are supplied as standard with one of the following accessories which are not illustrated.

- Electrobrush
- Turbobrush


These vacuum cleaners are supplied with separate operating instructions for the relevant accessory part.

Convertible floorhead / floor brush (Fig. 16)




(included as standard depending on model)

For general use and also for vacuuming the stairs.

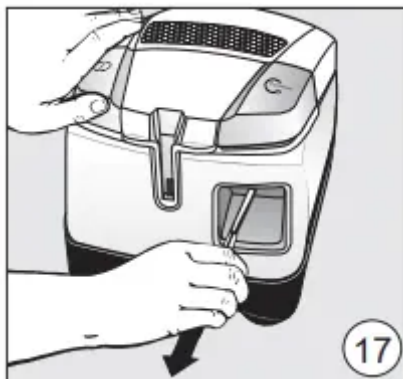
 For safety reasons when vacuuming stairs, it is best to start at the bottom of the stairs and move upwards.

Use

Power cord

 Unwind the cord completely to aid the vacuum in dissipating heat. Do not pull or carry by the cord, use the cord as a handle, close a door on the cord, or pull the cord around sharp edges or corners. Do not run the appliance over the cord. Keep the cord away from heated surfaces. Do not unplug by pulling the cord. To unplug grasp the plug, not the cord. This appliance is equipped with a power cord reel. Hold the plug when rewinding onto cord reel. Do not allow plug to whip when rewinding.

Unwind the power cord (Fig. 17)

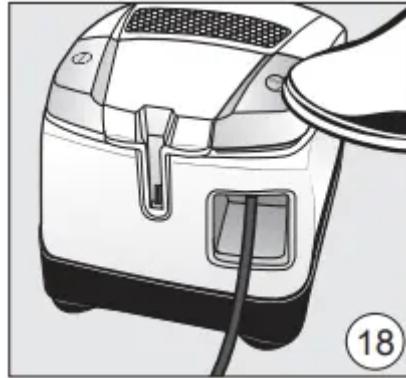


- Pull the power cord out to the required length (max. cord length approx. 21 ft / 6.5 m).
- Insert the plug into the electrical socket.



If vacuuming for longer than 30 minutes, the power cord must be pulled out all the way. Otherwise there is a danger of overheating and damage.

Rewinding the power cord (Fig. 18)

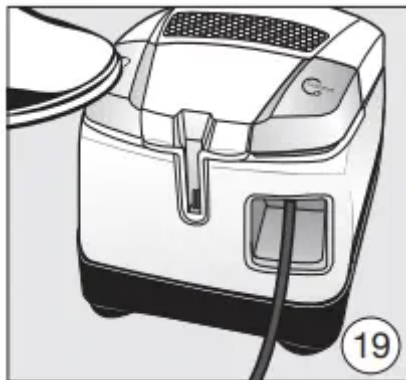


- Unplug the power cord from the socket.
- Step on the cord rewind foot switch.

The power cord will then retract itself into the vacuum cleaner.

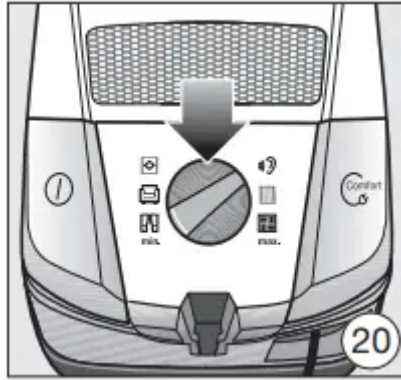
If you do not want the cord to retract completely into the vacuum cleaner you can deactivate this function. To do this, take hold of the end of the cord while rewinding it and give it a short pull when you want the rewinding to end.

Turning the vacuum cleaner on and off (Fig. 19)



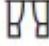
- Press the On/Off foot control .


Regulating the suction power (Fig. 20)



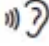
The suction power can be regulated to suit the type of flooring being cleaned. Reducing the suction power reduces the amount of effort required to maneuver the floor brush.


The vacuum cleaner has symbols on the controls which indicate the type of use the settings are suitable for.

 Curtains, fabric

 Upholstery, cushions

 Deep pile carpets, rugs and runners

 Energy-saving vacuuming. This setting is also very quiet

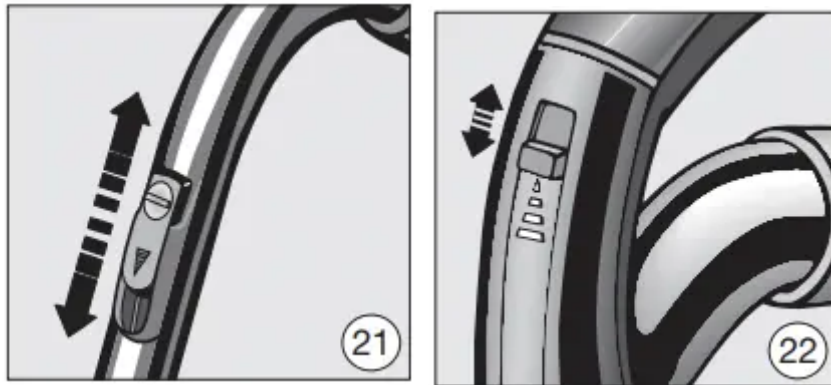
 Low pile carpet and rugs

 Hard flooring and heavily soiled carpets and rugs

When using the adjustable floorhead, if the suction seems too high, reduce the suction until the floorhead is easier to maneuver.

- Turn the suction power selector manually to the suction power setting you require.

Opening the air inlet valve (Fig. 21 + 22)



(depending on model)


It is easy to reduce the suction power for a short time, e.g., to prevent rugs or other objects being sucked into the vacuum cleaner.

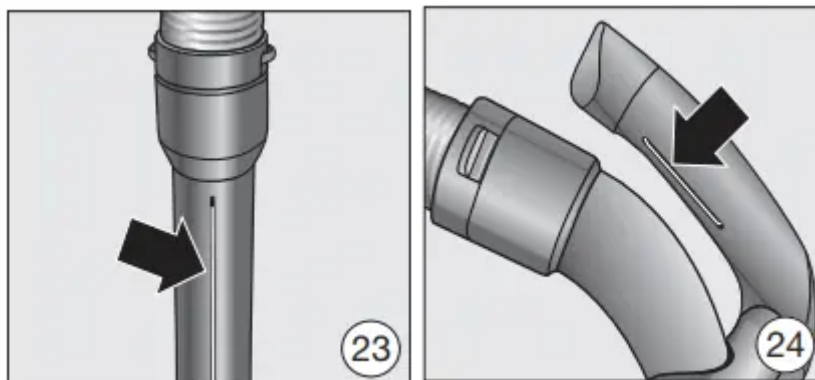
- Open the air inlet valve on the handle far enough to reduce the suction power.

This reduces the suction on the respective nozzle used.

During vacuuming

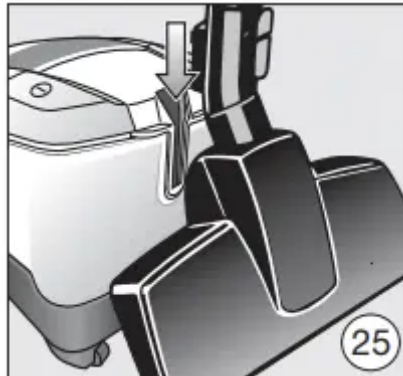
- When vacuuming, pull the vacuum cleaner behind you on its wheels. You can stand it upright for vacuuming stairs and curtains, etc.

 When vacuuming, in particular fine dust, e.g. dust, sand, plaster, flour, etc., electrostatic charges build up naturally. Under certain conditions these charges will be released. To avoid the unpleasant effects of these discharges, a metal inlay has been incorporated into the underside of the handle. Please make sure that you keep your hand in constant contact with this metal strip during vacuuming (Fig. 23 + 24).



Parking, transport and storage

Park system for pauses during vacuuming (Fig. 25)



(cannot be used with the Electrobrush SEB 228)


The park system allows you to conveniently park the suction wand and floorhead during pauses.

- Slot the floorhead into the parking attachment on the vacuum cleaner.

If your vacuum cleaner is on a sloping surface, e.g., a ramp, retract the telescopic suction wand fully.

Park system for storage (Fig. 26)



 Always disconnect the vacuum cleaner from the power supply when you have finished using it. Remove the plug from the socket.

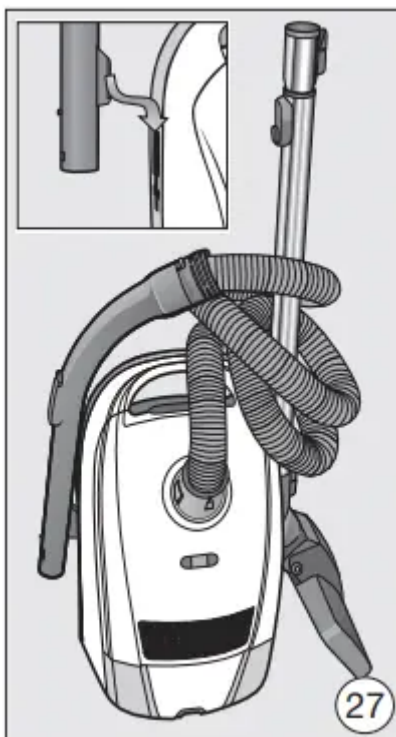
- Stand the vacuum cleaner upright.

It is a good idea to retract the telescopic suction wand fully

- Slot the floorhead downwards into one of the parking attachments on either side of the vacuum cleaner (the parking attachments cannot be used with Electrobrushes SEB 217 and SEB 228).


This makes the vacuum cleaner easier to carry or store.

If your vacuum cleaner has an XXL handle, you can detach this so that the vacuum cleaner requires less storage space (Fig. 27).



- Detach the XXL handle from the retracted telescopic suction wand.
- Wind the suction hose around the telescopic suction wand and then slot the XXL handle into the second parking attachment.

Maintenance

 Always switch off the vacuum cleaner for maintenance work and remove the plug from the outlet.

The Miele filtration system consists of three components:

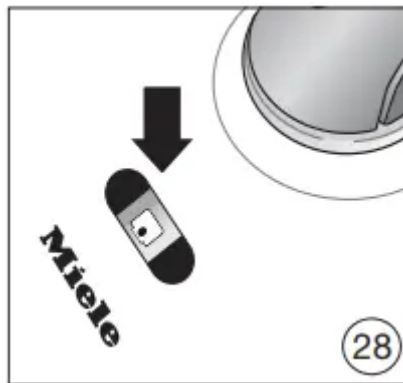
- Original Miele FilterBag

- Motor protection filter
- Original Miele exhaust filter

These will need to be replaced from time to time to ensure that your vacuum cleaner performs efficiently

We recommend only using genuine FilterBags, filters, and accessories with the “Original Miele” logo on them. This will ensure that the suction power of the vacuum cleaner is maintained, giving the best possible cleaning results. FilterBags with the “Original Miele” logo on them are not made from paper or paper-based materials and nor do they have a cardboard collar. This is why our FilterBags are particularly long-lasting and reliable. Please note that appliance faults and damage originating from the use of accessories which do not carry the “Original Miele” logo will not be covered by the appliance guarantee.

When to change the FilterBag (Fig. 28)



Change the FilterBag when the color marker in the FilterBag change indicator turns red.

FilterBags are disposable and intended to be used only once. Dispose of the entire FilterBag. Do not attempt to re-use. Blocked pores reduce the efficiency of the vacuum cleaner.

Checking the FilterBag change indicator

- Attach the floor brush to the vacuum cleaner (depending on the model).
- Switch the vacuum cleaner on and select the highest power setting.
- Lift the floor brush off the floor a little.

How the FilterBag change indicator works

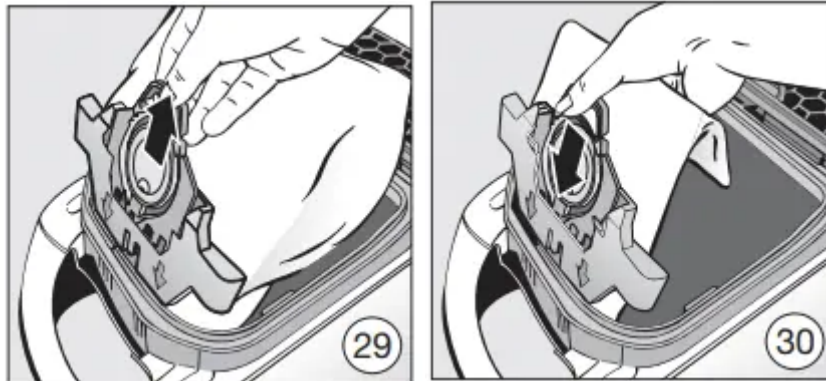
The FilterBag change indicator is set for normal household dust. This generally contains a mixture of dust, hair, threads, carpet lint, grit, etc.

However, if the cleaner has been used to vacuum up fine dust, such as plaster, brick dust, cement or flour, the pores of the FilterBag will become blocked very quickly. This affects the air permeability of the bag, and the marker will indicate that the bag is “full” even when it is not. If this

happens you must still change the FilterBag because suction power will be greatly reduced by blocked pores in the FilterBag.

If, on the other hand, a large amount of hair and carpet lint which typically contains a lot of air is vacuumed up, the indicator may fail to react even though the bag is full. You should still change it. Both these extremes can occur.

How to replace the FilterBag (Fig. 29 + 30)



- Press the release catches at the side of the hose connector, and remove the hose from the socket (Fig. 02).
- Press the release button on the recessed grip and raise the dust compartment lid as far as it will go (Fig.09)

The FilterBag has a flap which closes automatically when the dust compartment lid is raised to prevent any dust escaping.

- Pull the FilterBag out by the grip on the collar.
- Fit the new FilterBag into the red holder as far as it will go. Leave it folded up when you take it out of the box.
- Close the dust compartment lid securely, making sure it clicks into position. Take care not to trap the FilterBag when doing so.

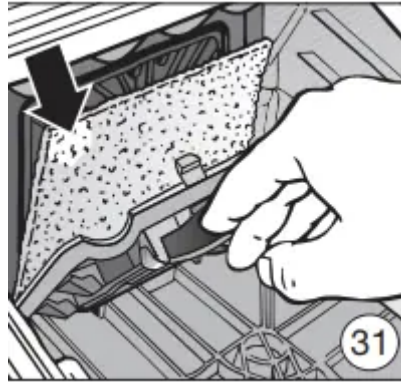
An empty operation lock prevents the dust compartment lid from closing without a FilterBag in place. Do not use force!

- Insert the hose connector into the suction socket on the vacuum cleaner until it clicks into position. To do this, line up the guides on the two pieces (Fig. 01).

When to change the motor protection filter

Replace this filter every time you start a new packet of filter bags. Every packet of original Miele filter bags contains a motor protection filter. Multipacks contain four motor protection filters.

How to change the motor protection filter (Fig. 31)



- Open the dust compartment lid.
- Pull the filter bag out by the grip on the collar.
- Lift up the filter frame until it clicks and remove the old motor protection filter. Hold by the clean, unsoiled section to remove it.
- Replace with a new motor protection filter.
- Close the filter frame.
- Fit the filter bag into the holder as far as it will go.
- Close the dust compartment lid securely, making sure it clicks into position. Take care not to trap the filter bag when doing so.

When to replace the exhaust filter

Depending on the model, your vacuum cleaner will come with one of the following exhaust filters (Fig. 08) as standard:

- a AirClean

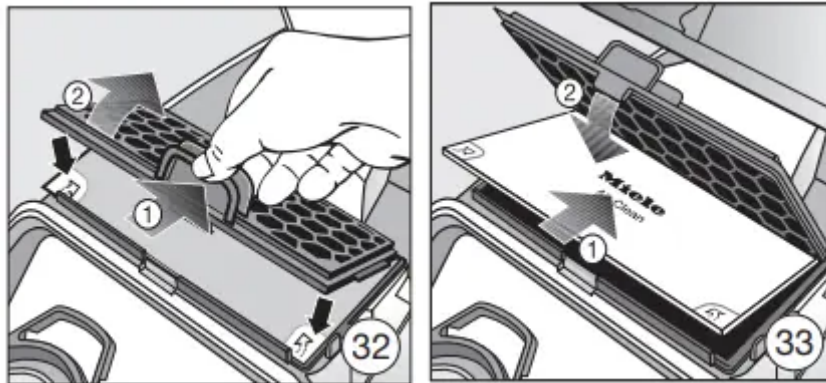
Replace this filter every time you start a new packet of Miele FilterBags. An AirClean exhaust filter is supplied with every packet of Miele FilterBags.

- b Active AirClean 50 (black)
- c HEPA AirClean 50 (white)

Replace if the display for the exhaust filter change indicator is completely filled with red (Fig. 13). This occurs after approx. 50 hours of operation which is equivalent to about a year of average use. The vacuum cleaner can still be used.

However, the suction power will be reduced as will the effectiveness of the filter if it is not replaced in good time.

How to replace the AirClean filter (Fig. 32 + 33)



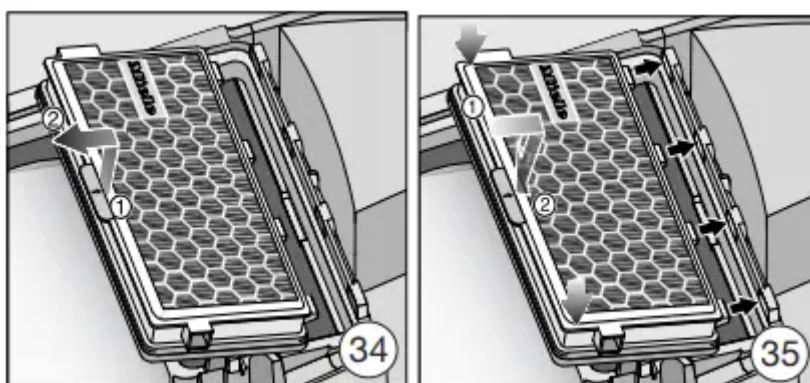
Do not use more than one exhaust filter at a time.

- Open the dust compartment lid.
- Press the release catch on the filter grille and open the grille until it clicks.
- Grasp the used AirClean exhaust filter by one of the clean, unsoiled sections and take it out.
- Replace it with a new AirClean exhaust filter.

If you wish to fit an Active AirClean or HEPA AirClean 50 exhaust filter, see “Replacing one type of exhaust filter with another.”

- Close the filter frame.
- Close the dust compartment lid.

Replacing the Active AirClean 50 and HEPA AirClean 50 exhaust filters (Fig. 34 + 35)



Do not use more than one exhaust filter at a time.

- Open the dust compartment lid.
- Lift the exhaust filter and remove it.
- Insert a new exhaust filter, making sure it goes in properly, then push it down into position.

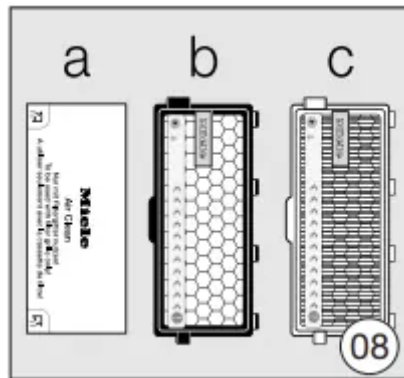
- Press the TimeStrip® exhaust filter change indicator (Fig. 11).

After approx. 10 –15 seconds a thin red line will appear in the left-hand side of the display (Fig. 12).

If you wish to fit the AirClean exhaust filter, see “Replacing one type of exhaust filter with another”.

- Close the dust compartment lid.

Replacing one type of exhaust filter with another (Fig. 08)



Depending on the model, your vacuum cleaner will be fitted as standard with one of the following exhaust filters :

- a AirClean
- b Active AirClean 50 (black)
- c HEPA AirClean 50 (white)

Do not use more than one exhaust filter at a time.

When changing the filter, please note:

1. If you wish to replace exhaust filter a with filter b or c, it is essential that you remove the filter frame before you fit the new exhaust filter. In addition, you must activate the exhaust filter change indicator (Fig. 11).
2. If you wish to replace exhaust filter b or c instead of a, so it is essential that you also fit it in a filter frame *(Fig. 32).

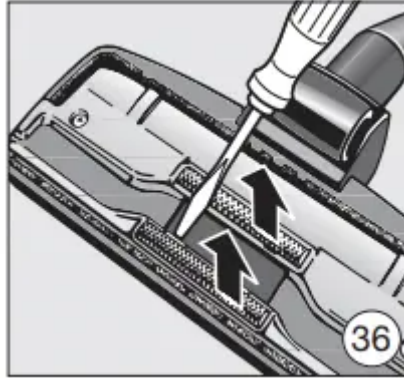
*Filter frame - see “Optional accessories.”

When to change the thread catchers?

(only possible for models with a reversible floorhead included as standard)

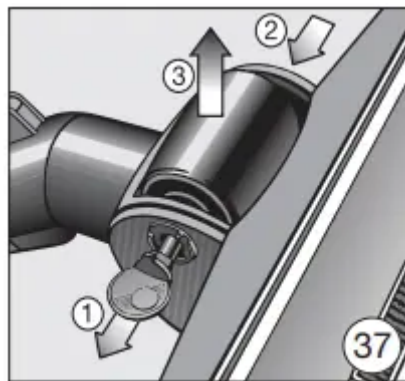
The thread catchers on the suction inlet of the reversible floorhead can be replaced. Check them from time to time and replace them if the pile has worn down.

How to replace the thread lifters(Fig. 36)



- Use a suitable screwdriver to remove the thread lifters from the slots.
- Install new thread lifters.

Cleaning the roller on the AllTeQ floorhead (Fig. 37)




Clean the roller on the floorhead if required.

1. Release the bearing using a coin.
2. Press the bearing out, and remove.
3. Remove the roller.

- Remove any threads and hair, replace the roller and refit the bearing, locking it back into position.

Replacement parts are available from your Miele dealer or through Miele Technical Service.

Cleaning and care

 Always disconnect the vacuum cleaner from the electrical supply before cleaning it. Turn off and unplug it.

Vacuum cleaner and accessories

The vacuum cleaner and all plastic accessories can be cleaned with a proprietary cleaner suitable for plastic.



Do not use abrasive cleaning agents, glass cleaning agents, allpurpose cleaners or oil-based conditioning agents!

Dust compartment

The dust compartment can, if necessary, be cleaned using a dry duster, brush or, if available, a second vacuum cleaner to vacuum the dust out.

Monitor the filter bag change indicator and inspect all filters regularly. Clean or replace them when necessary according to these Operating Instructions.



Do not let the vacuum cleaner get wet. If moisture gets into the appliance, there is a risk of electric shock.

Frequently Asked Questions

With the help of the following guide minor faults in the performance of the machine, some of which may result from incorrect operation, can be remedied without contacting the Service Department.

This guide may help you to find the reason for the fault, and how to correct it.

The vacuum cleaner turns off automatically.

A temperature limiter turns the vacuum cleaner off automatically if it gets too hot. This can occur if, for instance, large articles block the wand or when the FilterBag is full or contains particles of fine dust. A heavily soiled exhaust or dust compartment filter can also be the cause of overheating.

- Turn the vacuum cleaner off immediately using the On/Off foot switch , and unplug it.

After removing the cause, wait for approximately 20 - 30 minutes to allow the vacuum cleaner to cool down. It can then be turned on again.

Warning

This content is compiled from multiple sources and is provided for reference purposes only. It may not be complete or fully applicable to all situations. If you are unable to resolve your issue, please contact the product manufacturer or an authorized service provider for official support.