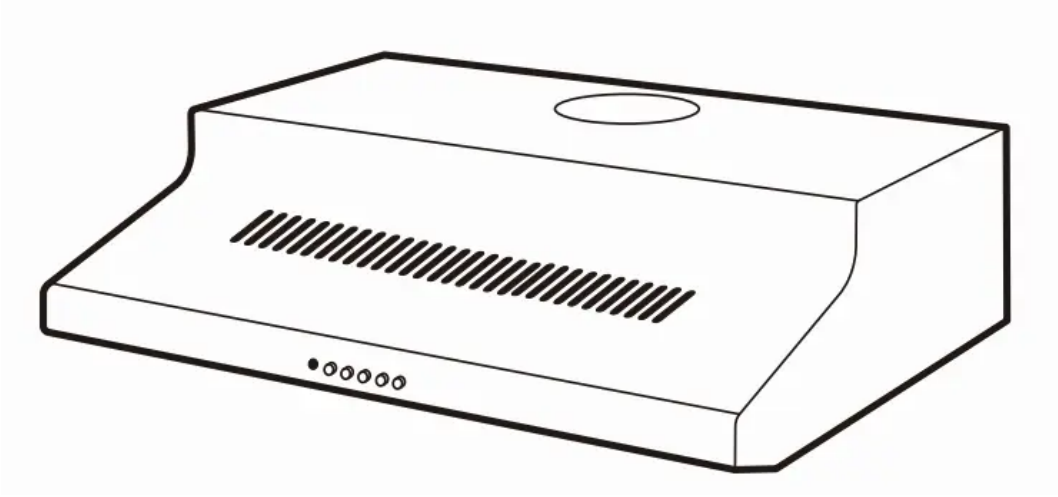


User manual Rangehood for Westinghouse



These cooker hoods are domestic appliances which have been manufactured and tested to comply with Australian and New Zealand

These appliances are intended to be used in household and similar applications such as:

- Staff kitchen areas in shops, offices and other working environments
- Farm Houses
- By clients in hotels, motels and other residential type environments
- Bed and breakfast type environments

Safety Warning

- This appliance is not intended for use by persons (including children) with reduced physical, sensory or mental capabilities, or lack of experience and knowledge, unless they have been given supervision or instruction concerning use of the appliance by a person responsible for their safety.
- Children should be supervised to ensure that they do not play with the appliance.
- There is a fire risk if cleaning is not carried out in accordance with the instructions;
- Ensure the cooker hood is switched off before carrying out maintenance, to avoid any possibility of electric shock.
- Grease filters must be removed every four weeks (maximum) for cleaning to reduce the risk of fire.
- Do not flamb'e under the cooker hood.
- This cooker hood is not recommended for barbeques.
- The air must not be discharged into a flue that is used for exhausting fumes from appliances burning gas or other fuels.

- Exhaust air must not be discharged into a wall cavity, unless the cavity is designed for the purpose.
- There must be adequate ventilation of the room when the cooker hood is used at the same time as appliances burning gas or other fuels.
- Always cover lit gas burners with pots or pans when the cooker hood is in use.
- Always switch off gas burners before you remove pots or pans.
- CAUTION: Accessible parts may become hot when used with cooking appliance.
- Regulations concerning the discharge of air have to be fulfilled.

Cleaning

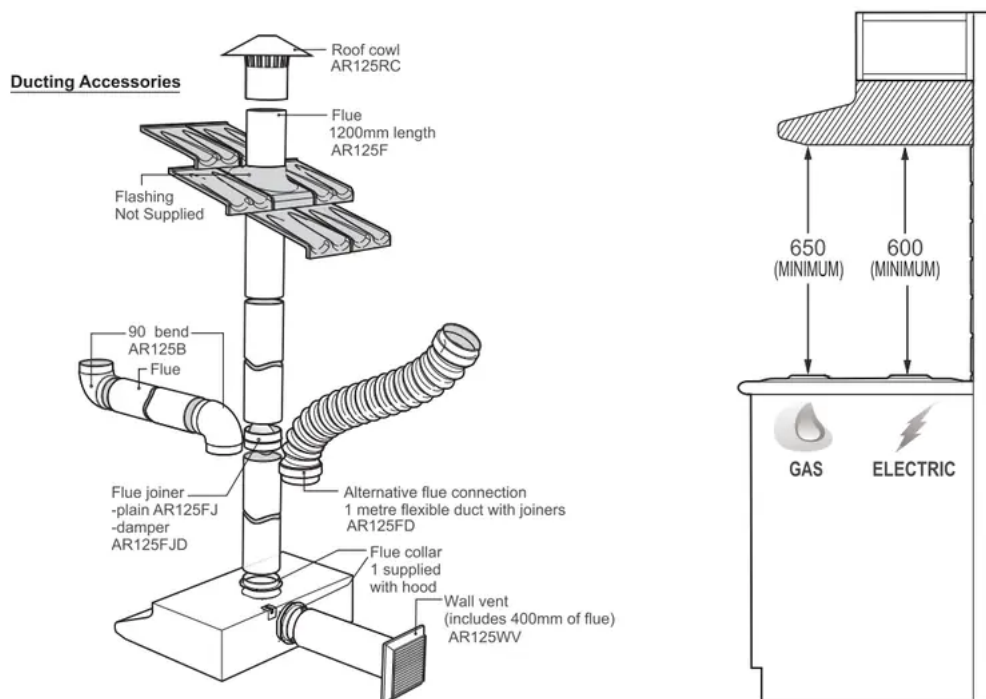
Every 2-3 months wipe the cooker hood body with a sponge or soft cloth soaked in warming soapy water, dry thoroughly and apply a stainless steel protector, Do not use oven cleaners or other abrasive materials.

Electrical Connection

- Check that the mains voltage matches with the voltage on the data plate inside the cooker hood.
- Check that the installation complies with standards of local gas and electricity authorities.
- If the supply cord is damaged, it must be replaced by the manufacturer or its service agent or a similarly qualified person in order to avoid a hazard.

Accessories

- Use 125mm round exhaust ducting for best performance.
- When using semi-rigid flexible duct always install with smooth bends and short as possible to minimise pressure loss.
- Try to keep exhaust duct short and straight.
- Keep bends in the exhaust duct to a minimum.
- Do not reduce the size or restrict exhaust duct.



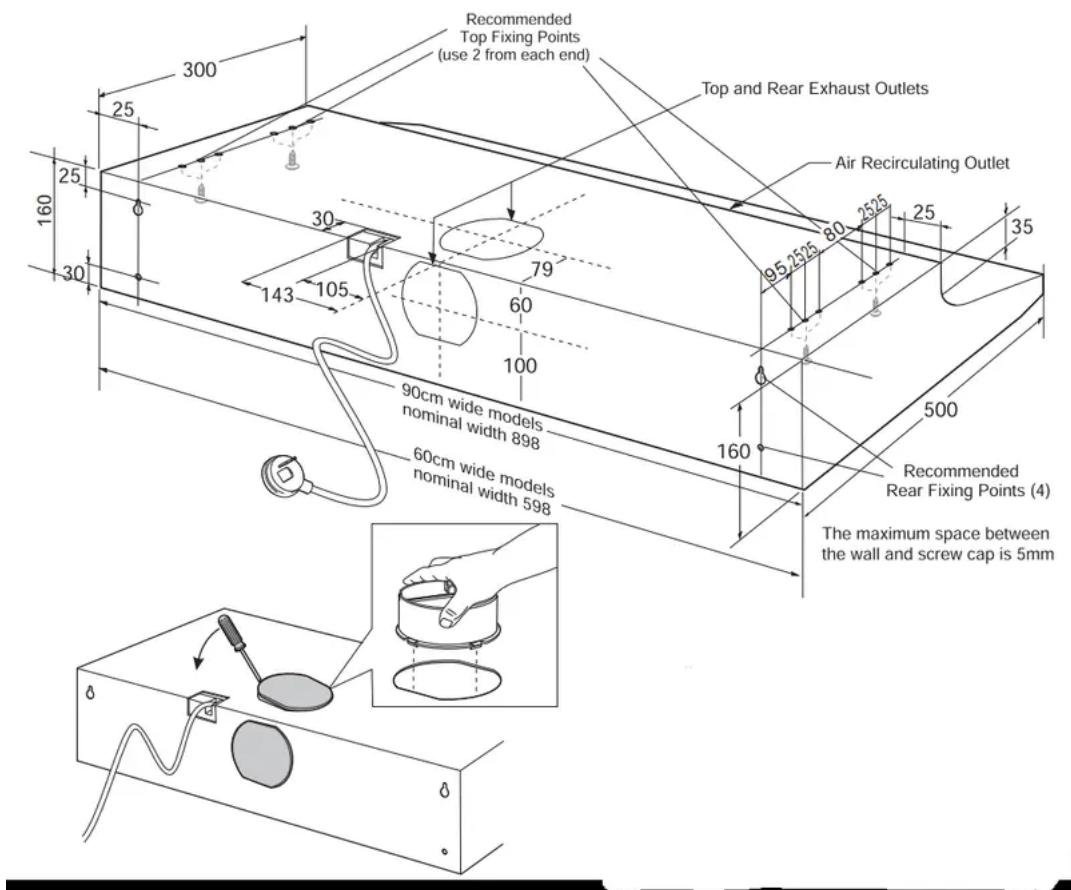
Stainless Steel Models

Before installing the cooker hood, remove all protective plastic covering from stainless steel surfaces.

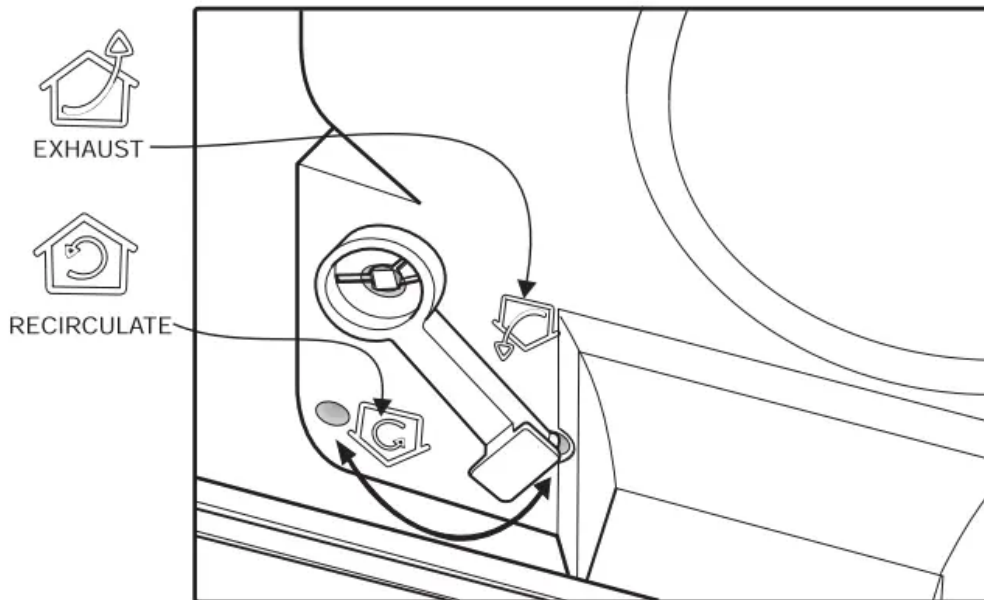
Use at least 4 screws (not provided) and the mounting holes provided to securely mount the cooker hood. Make sure that the cooker hood is level and free from twist.

After installation, apply a stainless steel protector to the external surfaces.





Setting of circulation air door - single fan models

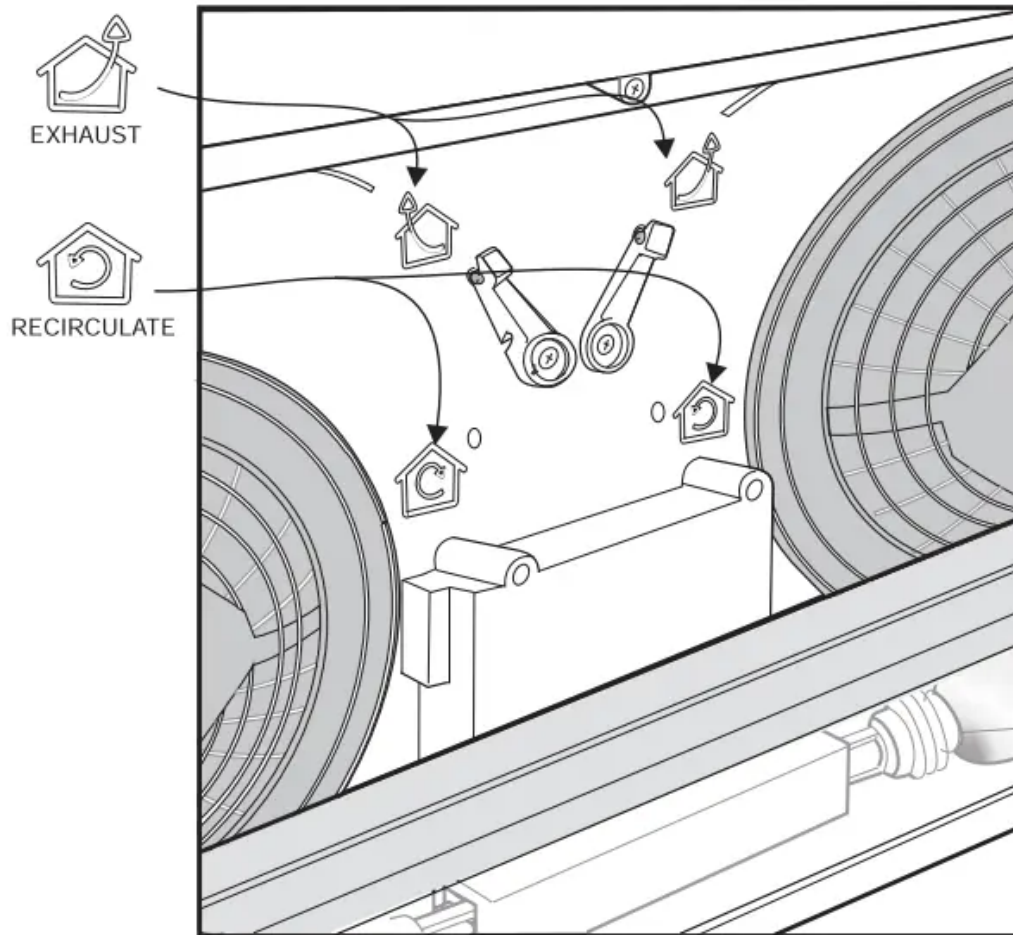


Ducted installation

Select required exhaust outlet. remove hole plug and snap fit flue exhaust collar.

Setting of circulation air doors - dual fan models



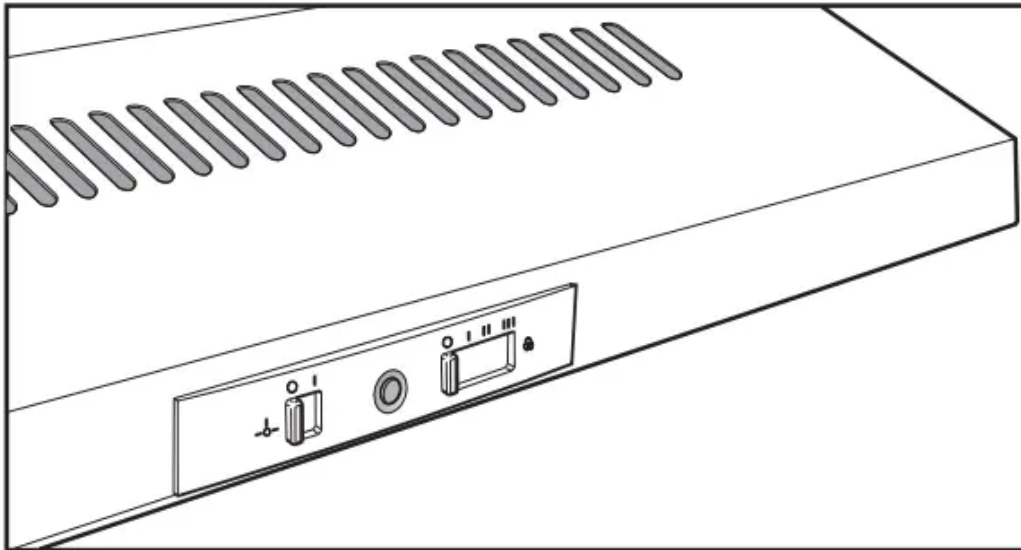


IMPORTANT: SET CIRCULATING MODES BEFORE INSTALLING THE HOLE PLUGS.

Cooker Hood Operation

IMPORTANT: The Edison Screw lamps may have come loose during transportation. Ensure that lamps are tightened firmly into the socket before power is applied.

Best results are obtained by using a low speed for normal conditions and a high speed when odours are more concentrated. Turn the hood on a few minutes before you start cooking. It should be left on after cooking for about 15 minutes or until all odours have disappeared.



Slide switch controls

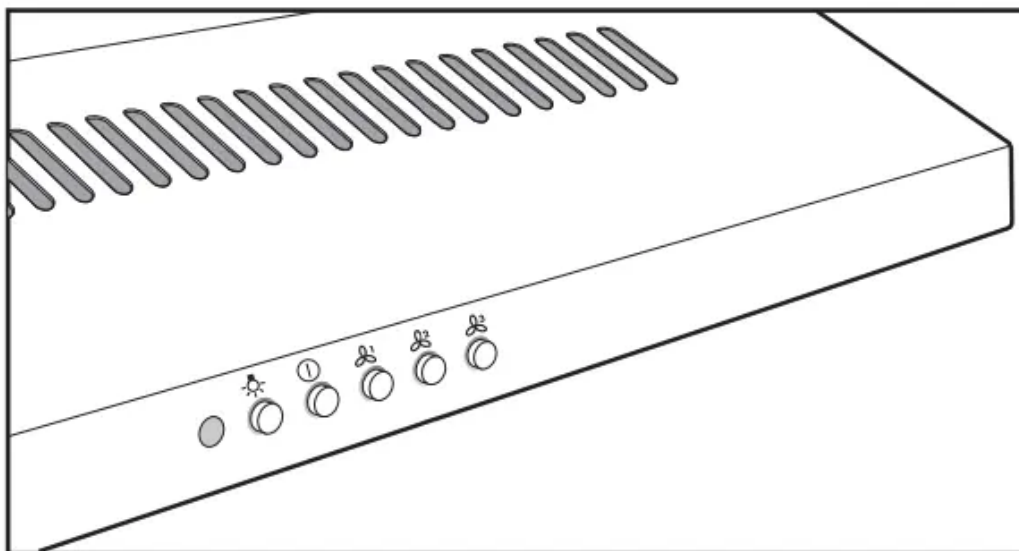
Light switch: This switch is used to turn the light fitted in the hood on and off.

Extractor fan switch: Used to select fan speeds

Slide position I: Fan speed Lo.

Slide position II: Fan speed Med.

Slide position III: Fan speed High.



Press button switch controls

Light switch: Depress light button to turn light **ON**. Press light button to turn light **OFF**.

Extractor fan switch interlocked switching: Select a fan speed, depress button to turn fan **ON**.

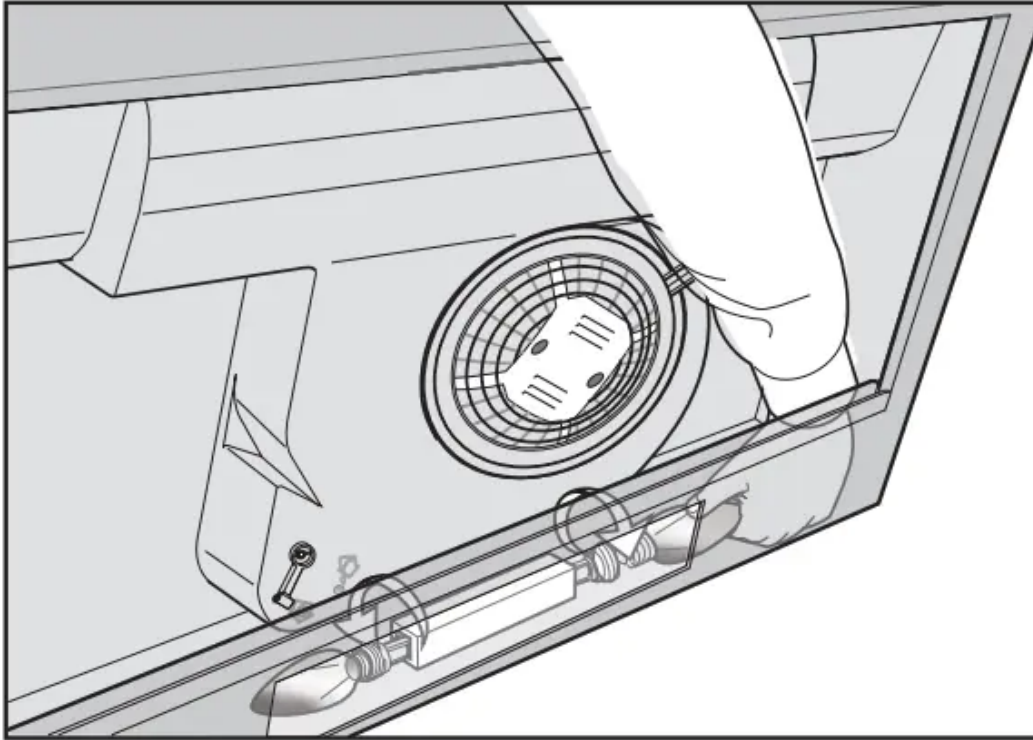
Press button (Ⓜ) to turn fan **OFF**.

Replacing lamps:



Ensure the appliance is switched off before carrying out maintenance, to avoid any possibility of electric shock. Remove grease filter to replace lamp. Replace with 28W (maximum) E14 candle lamp.

Only replacement lamp with the silicone seal should be used.



Maintenance:

Clean grease filters every three to four weeks maximum. Greasy filters are a fire risk.

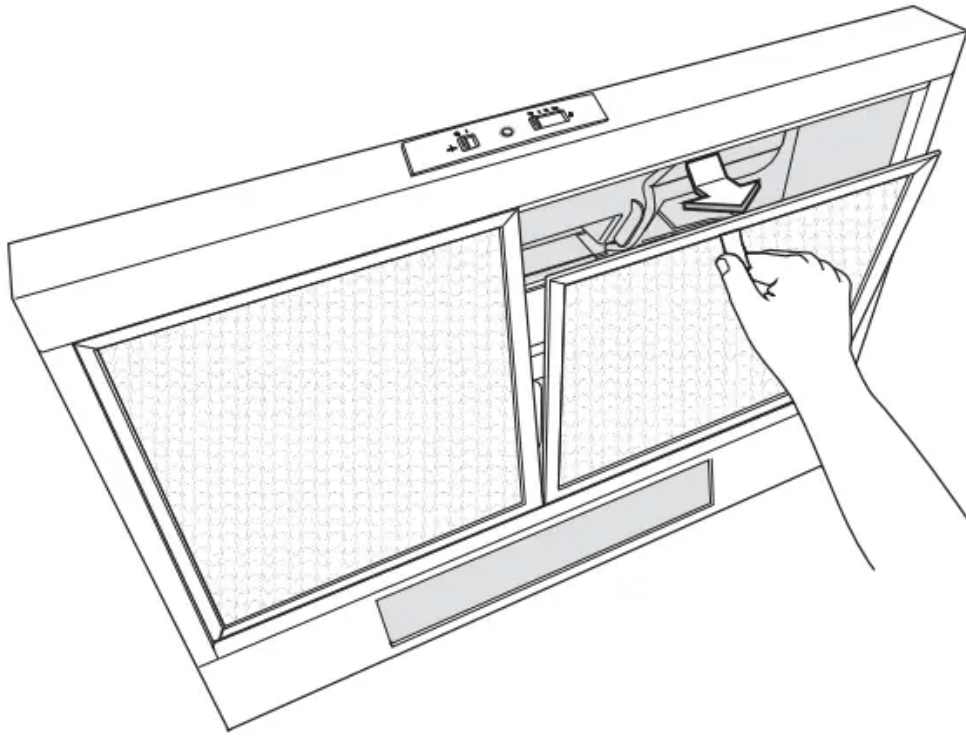
Remove the grease filters. soak and agitate in hot soapy water.

Rinse. drain and shake well before replacing filters.

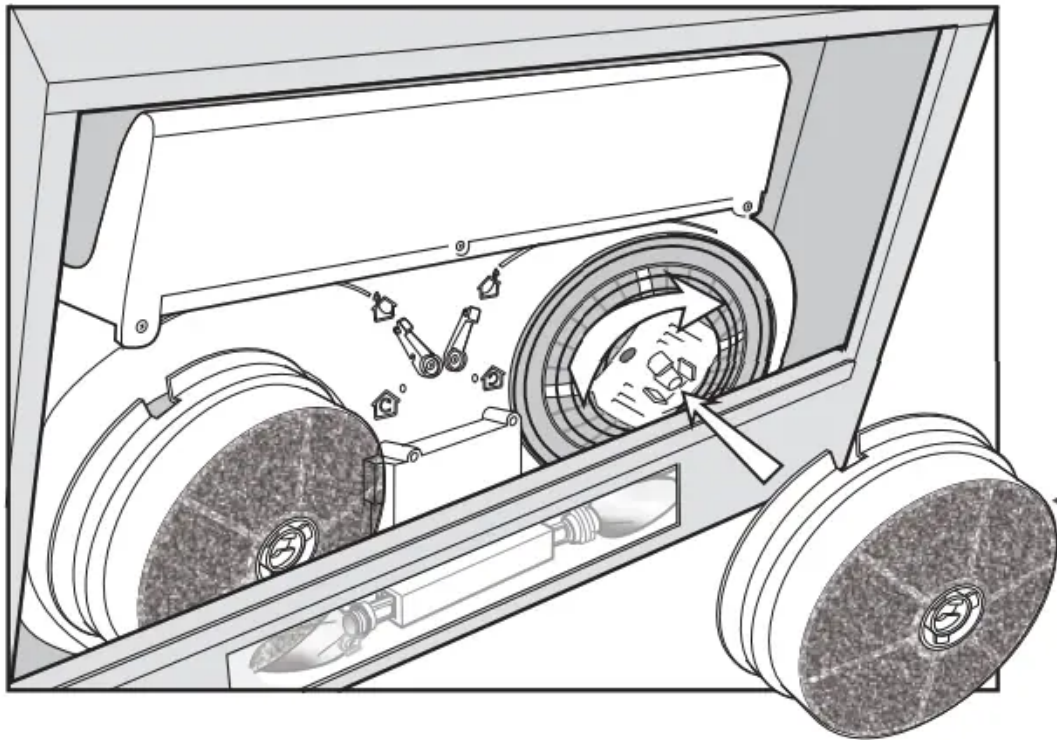
Alternatively. place the grease filters in the dishwasher. Select the most powerful washing program and highest temperature. at least 65°C.

When washing the grease filter in the dishwasher a slight discolouration of the filter can occur. this does not have any impact on its performance.

Do not use oven cleaners or other caustic materials.



Recirculating accessory:



Optional carbon filter ARCFD for recirculating mode only.

The activated carbon filter is not washable and cannot be reused. It should be replaced approximately every 6 months of operation, or more frequently for particularly heavy usage.

- **Note:** Replacement carbon filter is available from Electrolux spare parts'

Warning

This content is compiled from multiple sources and is provided for reference purposes only. It may not be complete or fully applicable to all situations. If you are unable to resolve your issue, please contact the product manufacturer or an authorized service provider for official support.

Document generated by [ManualsFile](#)