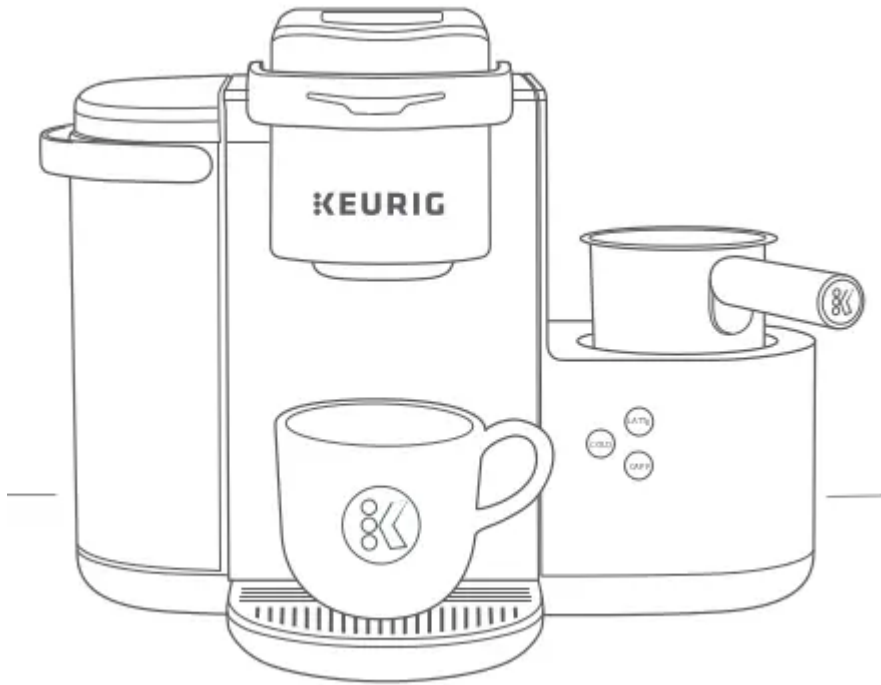


KEURIG K-Café

Use & Care Guide

Get the most from your new Keurig brewer.



Before You Brew

1. Plug & Place

Remove packing tape from brewer and 4 remove frother from plastic bag. Plug into a grounded outlet

Place a large mug (120z minimum) on the drip tray.



2. Rinse & Fill

Remove the water reservoir lid. then lift the reservoir straight up to remove it.

Rinse reservoir with fresh water and fill to the MAX fill line.

Replace water reservoir, making sure the lock tab engages with the brewer. Replace lid.

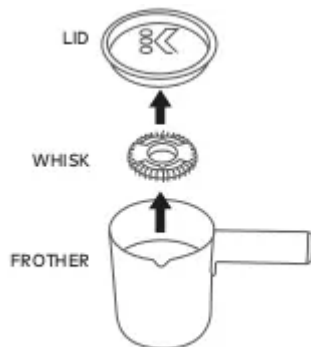
NOTE: Do not use distilled water.



3. Clean the Frother

Remove the lid and whisk from inside the frother. Wash the interior of the frother, lid, and whisk with warm, soapy water. Dry all parts thoroughly using a soft, non-abrasive cloth, and then reassemble.

NOTE: Frother and frother lid are top rack dishwasher safe. Whisk should be placed in the utensil basket. If washing by hand, only use non-abrasive cleaning materials to prevent damage to the inner surface of the frother.



4. Power On

Press power button — the power light and AUTO OFF light will illuminate.

The brewer will automatically begin heating the water. This will take about 3 minutes. Once the heating sound stops, the brewer is ready.



5 Cleansing Brew

Lift and lower the handle. Do not insert a K-Cup pod. The COFFEE and LATTE & CAPP buttons will blink. Press the 60z button, then press the blinking 1 brew button to start a cleansing brew (the COFFEE button will illuminate). Pour the hot water into the sink.

The one-time setup process is now complete and you are ready to brew!

NOTE: Between brew cycles, the brewer may take about a minute to reheat.



Make Your First Latte or Cappuccino

1. Fill Frother

To make a Hot Latte or Hot Cappuccino:

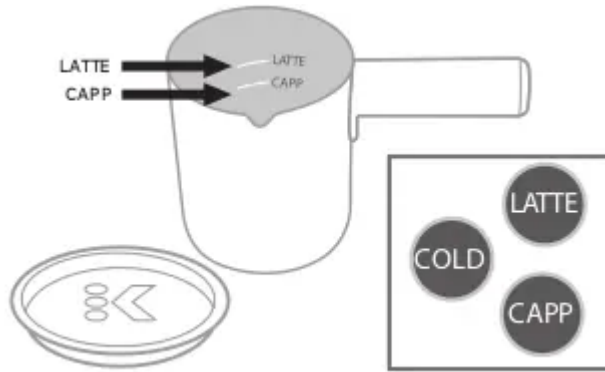
Remove lid and add chilled milk to the LATTE or CAPP line marked in the frother. Replace the lid and place frother on the frother base. Press the LATTE or CAPP button on the frother base. The frother will beep once and the button will illuminate while heating - approximately 3 minutes.

Frothing is complete when the frother beeps twice and the light on the LATTE or CAPP button is no longer illuminated.

TIP: Having trouble frothing? We're here to help. Give us a call at 1-866-901-BREW (2739)

NOTE: Do not under or overfill frother. Do not operate before adding milk CAPP line = minimum fill. LATTE line = maximum fill

CAUTION: Frother is not microwave safe.



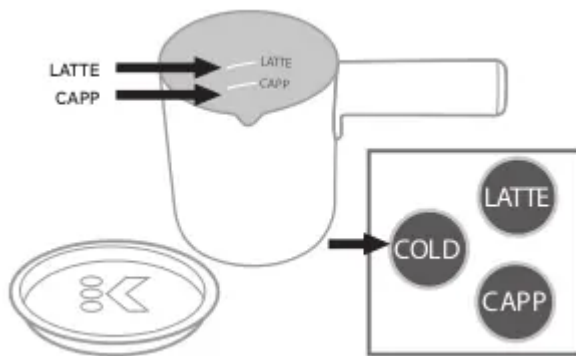
To make an Iced Latte or Iced Cappuccino:

Remove lid and add chilled milk to the LATTE or CAPP line marked in the frother. Replace the lid and place frother on the frother base. Press the COLD button followed by the LATTE or CAPP button. The frother will beep once and both buttons will illuminate while the milk is frothing - approximately 3 minutes.

Frothing is complete when the frother beeps twice and the light on the COLD and LATTE or CAPP buttons are no longer illuminated.

NOTE: Do not under or overfill frother. Do not operate before adding milk. CAPP line = minimum fill LATTE line = maximum fill.

CAUTION: Frother is not microwave safe.



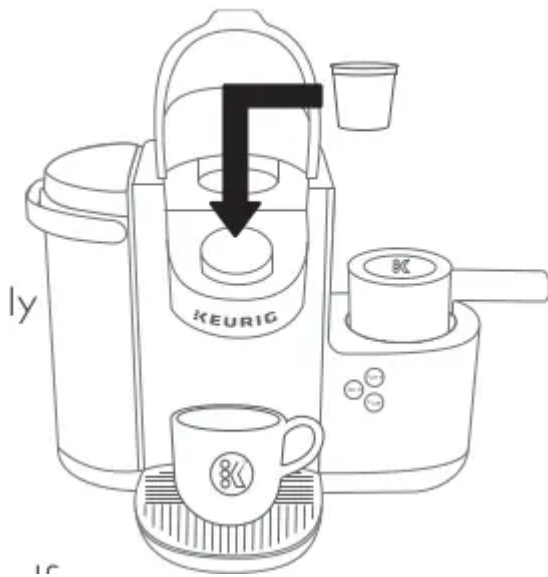
2. Place Mug & Pod

Place a mug on the drip tray plate. Lift the handle and place é any K-Cup pod in the K-Cup pod | holder. Lower the handle completely to close the lid.

Do not remove the foil lid on the K-Cup pod.

To make an iced latte or iced cappuccino, fill a 16oz plastic cup half way with ice. then follow instructions above.

NOTE: For iced beverages. only use a plastic cup. do not use glass.

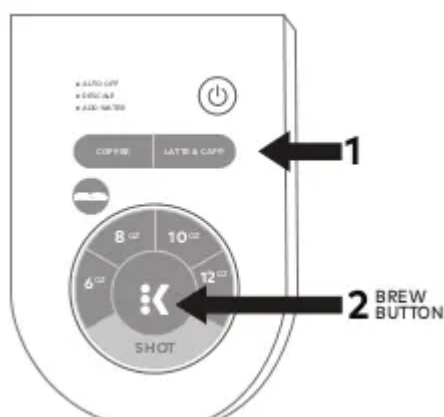


3. Brew a Shot

The COFFEE and LATTE & CAPP buttons will blink. Press the LATTE & CAPP button - the SHOT button and STRONG button will illuminate. Press the blinking brew button. The LATTE & CAPP, SHOT, STRONG, and brew button will all remain illuminated while brewing — about 1 minute. Brewing is complete when the buttons are no longer illuminated. Lift the handle and dispose of the used K-Cup pod. The brewer will be ready to brew another cup in about a minute.

NOTE: After 60 seconds, the brew button will be disabled. To re-activate, lift and lower the handle completely.

CAUTION: While brewing, there is extremely hot water in the K-Cup pod holder. To avoid injury, do not lift the handle during the brewing process.



4. Create Your Coffeehouse Beverage

Remove the frother from the base. Remove the lid and pour the frothed milk over your shot of coffee.

NOTE: Clean frother immediately after use. For cleaning instructions, see Caring for your Brewer section in this guide.



Brew Your First Coffee

1. Place Mug & Pod

Place a mug on the drip tray. If using a travel mug, remove the drip tray and place the mug on the drip tray base. Lift the handle and place a K-Cup pod in the K-Cup pod holder. Lower the handle completely to close the lid.

Do not remove the foil lid on the K-Cup pod.

High Altitude Brewing: While holding the brewer handle up, push down slowly on the K-Cup pod in the pod holder until the bottom of the K-Cup pod is punctured by the exit needle.



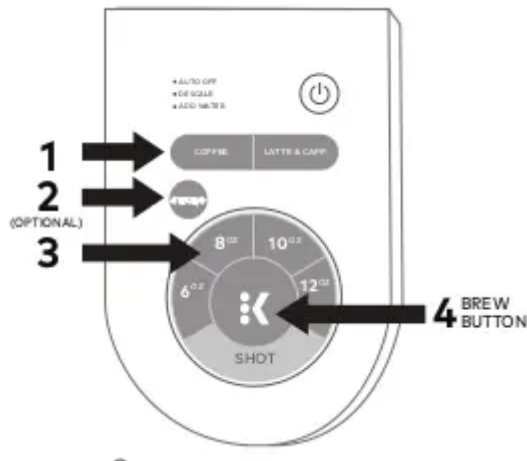
2. Brew & Enjoy!

The COFFEE and LATTE & CAPP buttons will blink. Press the COFFEE button. The 4 cup sizes will blink. Select your cup size - for bolder coffee, press the STRONG button before selecting your cup size. Press the blinking brew button. The COFFEE, STRONG (if selected), cup size, and brew button will all remain illuminated while brewing — about 1 minute. Brewing is complete when the buttons are no longer illuminated. Lift the handle and

dispose of the used K-Cup pod. The brewer will be ready to brew another cup in about a minute.

NOTE: After 60 seconds, the brew buttons will be disabled. To re-activate, lift and lower the handle completely.

CAUTION: While brewing, there is extremely hot water in the K-Cup pod holder. To avoid injury, do not lift the handle during the brewing process.



Brewer Features

Frother froths milk to create your favorite latte or cappuccino.

SHOT button brews a shot of coffee to make full-flavored, delicious lattes and cappuccinos.

COLD button for cold frothed milk to create iced lattes and iced cappuccinos.

Strong Brew increases your coffee strength and intensity. For bolder coffee, press the STRONG button.

Smart Start heats then brews in one simple process. No need to wait for the brewer to heat before selecting cup size. Power on your brewer, place mug, insert a K-Cup pod, and lower the handle. Then, select your cup size and press the brew button. The brewer will heat, then automatically begin brewing.

Auto Off automatically turns your brewer off 2 hours after the last brew for energy savings.

To disable the Auto Off feature:

1. Power the brewer off while it is plugged in.
2. Press and hold the STRONG and the 100z buttons for 3 seconds ~ the Auto Off light will turn off.
3. Power the brewer on - the Auto Off light will no longer be illuminated

To enable the Auto Off feature, repeat steps 1-3. The Auto Off light will illuminate.

Altitude Brewing: To ensure your brewer works properly at higher altitudes (5,000 feet) please follow these brewing instructions and enable the High Altitude Brewing Mode on your brewer.

Brewing Instructions - While holding the brewer handle up, push down slowly on the K-Cup? pod in the pod holder until the bottom of the K-Cup pod is punctured by the exit needle.

To enable High Altitude Brewing Mode:

1. Power the brewer off while it is plugged in.
2. Press and hold the STRONG and 8oz buttons for 3 seconds- both lights will blink 3 times to confirm that the High Altitude Brewing Mode has been enabled.

To disable High Altitude Brewing Mode:

1. Power the brewer off while it is plugged in.
2. Press and hold the STRONG and 8oz buttons until the lights are no longer illuminated.

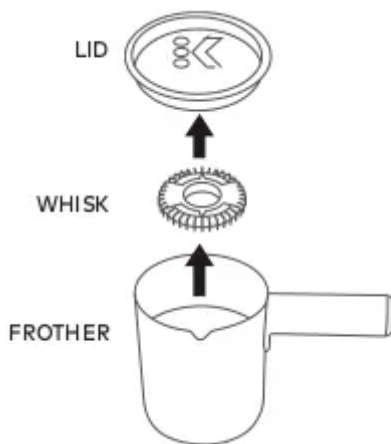
Caring For Your Brewer

Regular cleaning keeps your brewer running smoothly. Always be sure to turn off and unplug your brewer before cleaning.

Frother

Clean immediately after each use and before first use.

To clean - frother and frother lid are top rack dishwasher safe. After use, wait until the frother has cooled then rinse before placing in the top rack of the dishwasher. or cool and hand wash immediately. Whisk should be placed in the utensil basket of your dishwasher. If washing by hand, only use non-abrasive cleaning materials to prevent damage to the inner surface of the frother. To hand wash the whisk, soak in warm, soapy water for 15 minutes then scrub with a soft bristled brush. Dry thoroughly, and then reassemble for next use.



Brewer Exterior

Keep your Keurig brewer looking its best by cleaning the exterior from time to time. Just clean with a damp, soapy, lint-free, non-abrasive cloth. Never immerse the brewer in water or other liquids.



K-Cup Pod Holder

To remove the K-Cup pod holder from the brewer, lift the handle and grasp the top of the K-Cup pod holder with one hand while pushing up on the bottom of the K-Cup pod holder from underneath with the other until it releases. After cleaning, align the K-Cup pod holder with the opening using the two front ribs as a guide and snap into place from the top.



CAUTION: There are sharp needles that puncture the K-Cup pod above the K-Cup pod holder and in the bottom of the K-Cup pod holder. To avoid risk of injury, do not put your fingers in the K-Cup pod holder.

NOTE: Always remove and dispose of the used K-Cup pod after brewing.

Funnel

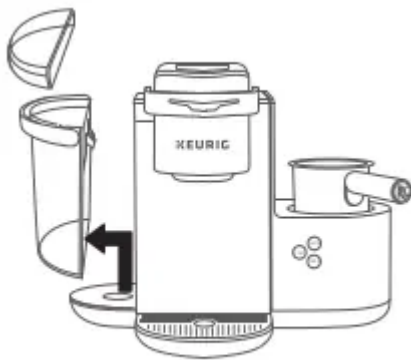
Washing the funnel ensures a fresh beverage experience. The funnel should be washed regularly and can be removed from the K-Cup pod holder by pulling on it until it pops off. To replace it, orient the snaps to the indent and just snap it back onto the K-Cup pod holder.



Water Reservoir & Reservoir Lid

The water reservoir lid and water reservoir should be cleaned periodically. Clean in a dishwasher (top rack only) or hand wash. To hand wash, use a damp, soapy, non-abrasive cloth. Rinse the reservoir thoroughly after cleaning. This will ensure that no cleaning solutions remain in the area as they may contaminate the water supply. After rinsing, fill the reservoir with clean water and return it to the brewer. Do not dry the inside of the water reservoir with a cloth as lint may remain. If needed, repeat above procedures.

NOTE: IF you are using a water filter inside the water reservoir, remove it before cleaning.



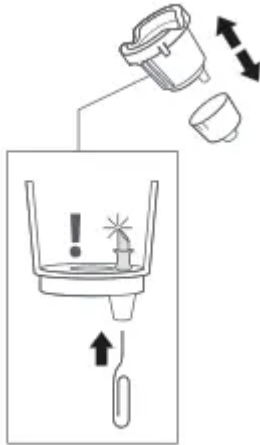
Drip Tray

The drip tray can hold up to 8 ounces of overflow and should be emptied and cleaned occasionally. To remove, slide it toward you, keeping it level to avoid spilling. Clean in dishwasher (top rack only) or rinse and clean with a damp, soapy, lint-free, non-abrasive cloth



Exit Needle

Remove the pod holder assembly and detach the funnel. Locate the exit needle on the inside bottom of the K-Cup pod holder. Insert a straightened paper clip into the exit needle to loosen any coffee grounds.



Entrance Needle

Lift the brewer handle and locate the entrance needle on the underside of the lid. To clean both holes in the needle, hold the brewer handle in the upward position and with your other hand, carefully insert a straightened paper clip into both holes. Gently move it around to loosen any coffee grounds. Lower the handle completely and run two water only brew cycles. Do not insert a K-Cup pod.

TIP: Refer to support.Keurig.com For video instructions on cleaning the entrance/exit needles.

Descaling Your Brewer

You should descale your brewer every 3-6 months. Properly follow the descaling procedure.

Depending on the mineral content of your water, calcium deposits or scale may build up in your brewer. Scale is non-toxic but if left unattended can hinder brewer performance.

Regularly descaling your brewer every 3-6 months helps maintain the heating element, and other internal parts that come in contact with water. Calcium deposits may build up faster, making it necessary to descale more often.

Descaling Procedure

Before you begin, you will need a large ceramic mug, fresh water, Keurig Descaling Solution, and access to a sink.

Do not use a paper cup. Ensure that there is no beverage pod in the K-Cup pod holder. Please allow approximately 45 minutes for the descaling procedure.

Empty the water from the water reservoir. If using a Keurig® Water Filter, remove and set aside.

STEP 1: Cleansing Rinse

Press the power button to power the brewer off.

Pour the entire bottle of Keurig® Descaling Solution into an emptied water reservoir. Then fill the empty bottle with water and pour into the water reservoir. Press the power button to turn the brewer back on.

Place a large mug on the drip tray and run a rinsing brew by lifting and lowering the handle. select the largest brew size. then press the brew button.

STEP 2: Internal Tank Soak

Repeat the rinsing brew process until the add water light is illuminated. Do not use a K-Cup pod. Let brewer stand for at least 30 minutes while still on.

After 30 minutes. discard any residual solution from the water reservoir and rinse thoroughly.

STEP 3: Fresh Water Rinse

Fill the water reservoir with fresh water to and not beyond the MAX fill line.

Place a large mug on the drip tray plate and run a rinsing brew using the largest brew size. Do not use a K-Cup pod.

Pour the contents of the mug into the sink.

Repeat brew process until you have completed at least 12 rinsing brews using the largest brew size. You may need to refill the water reservoir at least one time during this process.

NOTE: The cleaning action of Keurig® Descaling Solution may result in a "foam" dispensed from the brewer. This is natural. as the solution is reacting with the scale inside. For a brewer thats heavily scaled. the brewer may not fill properly after the descaler is added. IF this occurs. you may see only a small or no output dispensed. followed by the sound of air blowing out. IF this occurs:

+ Turn off and unplug the brewer.

+ If there is Keurig Descaling Solution in the water reservoir. discard the contents. rinse the water reservoir thoroughly and refill with water.

+ Plug the brewer back in. power on. and repeat the Step 3 Fresh Water Rinse cycle. The brewer should begin to function normally as the solution is rinsed out and the scale is removed. IF problem persists. allow brewer to sit Unplugged for at least 30 minutes before continuing with the rinse.

Troubleshooting

Frother

+ If the milk you are using isn't frothing. please call Customer Service.

- + If the light on the frother base is pulsing in and out - it may be because you are trying to froth while brewing coffee. Once the brew cycle is complete, the frother will automatically start frothing.
- + If all lights on the frother base are flashing, check to make sure there is milk in the frother, the whisk is correctly placed in the frother, and the frother is properly seated on the base.

Grounds in Your Coffee

Grounds may have gathered in the exit or entrance needles and can be cleaned using a straightened paper clip or similar tool.

- + Clean the exit needle of the K-Cup pod holder. Refer to the Exit Needle care instructions.
- + Clean the brewer entrance needle. Refer to the Entrance Needle care instructions.

Brewer Will Not Brew

- + After placing the K-Cup pod in the K-Cup pod holder, make sure that the handle is pushed down securely and the brew buttons are flashing.
- + If the add water light is illuminated, add water to the water reservoir. Fill to and not beyond the MAX fill line. Make sure the water reservoir is seated properly in its base. If the add water light continues to be illuminated even after refilling, contact Customer Service.
- + If the frother is in use, you may not be able to brew coffee at the same time. If this happens, wait 30 seconds after the frother has finished frothing then try brewing again. If you still cannot brew, contact Customer Service.

Brewing a Partial Cup

- + The exit needle may be clogged. Refer to the Exit Needle care instructions.
- + The water reservoir may have been removed during brewing. Replace the water reservoir and perform a rinsing brew without a K-Cup pod.
- + The brewer may need to be descaled. If you have repeated the descale procedure on your brewer two times and it is still only brewing a partial cup, contact Customer Service.

Brewer Does Not Have Power or Shuts Off

- + Make sure that the power button has been turned on.
- + Plug the brewer into its own grounded outlet. If the electric circuit is overloaded with other appliances, your brewer may not function properly. The brewer should be operated on its own circuit, separate from other appliances.
- + Auto Off sets the brewer to turn off 2 hours after the last brew for energy savings. Refer to Brewer Features for instructions on enabling and disabling this feature.
- + If the brewer still doesn't have power, contact Customer Service.

Helpful Hints

Water quality varies greatly. If you notice an undesirable taste in your beverage (such as chlorine or mineral tastes), we recommend using bottled or filtered water. Do not use distilled water. You can also install a Keurig Water Filter to help remove water impurities and improve beverage taste.

Service

Beyond these recommended cleaning and maintenance procedures, this brewer is not user serviceable. For service, please refer to the Warranty section of this guide.

Storage

Empty the water reservoir before storing or transporting and take care to ensure that you store your brewer in a safe and frost free environment. Please be sure to store your brewer in its upright position to avoid water leakage from the inner tank. If you store the brewer in a cold environment, you run the risk of water freezing inside the brewer and causing damage. When you prepare to use it after storage, we recommend cleaning the water reservoir with soap and fresh water and descaling the brewer as detailed in the section above.

If you plan to move your brewer to a different location, turn the brewer off, unplug it, and empty the water reservoir.

If your brewer has been in an environment below freezing, please be sure to let it warm to room temperature for at least 2 hours before using.

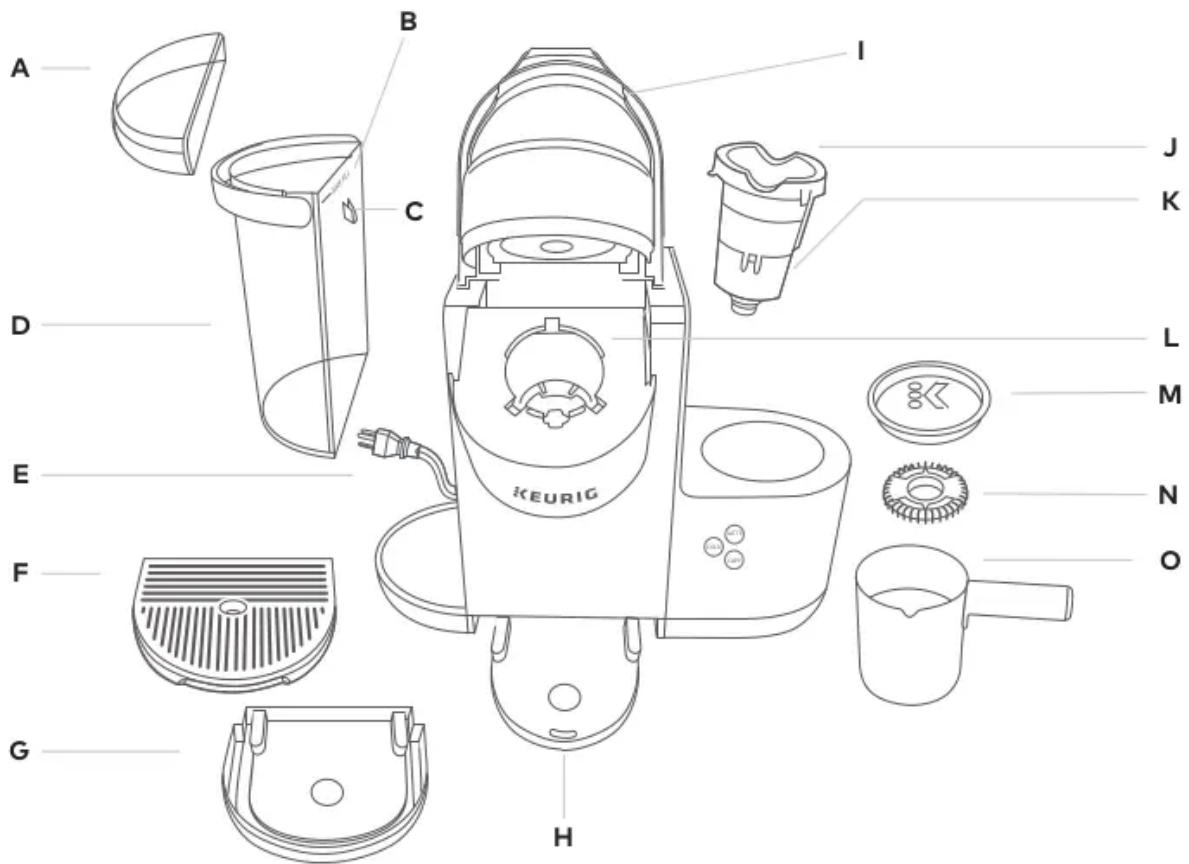
Customer Service

Have Questions?

Give us a call at 1-866-901-BREW (2739)

Informations

K-Café SINGLE SERVE COFFEE, LATTE & CAPPUCCINO MAKER



- A. Water Reservoir Lid
- B. MAX Fill Line
- C. Water Reservoir Lock Tab Slot
- D. Water Reservoir
- E. Power Cord
- F. Drip Tray Plate
- G. Drip Tray
- H. Drip Tray Base
- I. Handle
- J. LK-Cup Pod Holder (and Kare the K-Cup Pod Holder Assembly)
- K. Funnel
- L. K-Cup Pod Assembly Housing
- M. Frother Lid
- N. Frother Whisk
- O. Frother

Warning

This content is compiled from multiple sources and is provided for reference purposes only. It may not be complete or fully applicable to all situations. If you are unable to resolve your issue, please contact the product manufacturer or an authorized service provider for official support.



