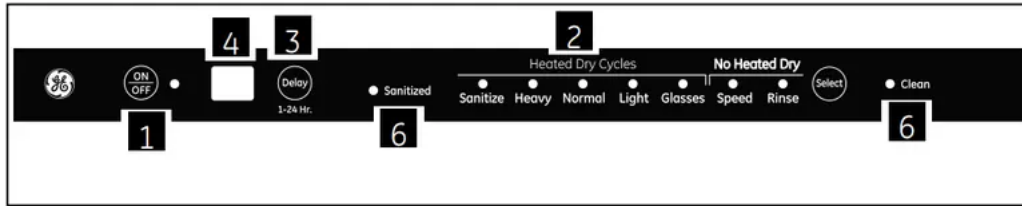


## About the dishwasher control panel.



### Control Settings

#### 1 ON/OFF

With door open, press **ON/OFF** button to turn the unit ON to begin operation and OFF at the end of a wash cycle. The ON/OFF light is displayed when the dishwasher is ON.

#### 2 Wash Cycle Selections

Press **SELECT** button to choose wash cycle. The light under the cycle name will display to indicate which cycle has been selected.

##### **SANITIZE** 4.8 gallons, 130 minutes

This cycle is meant to sanitize dishes and glasses with added heat. If you select sanitize cycle, at the end of this cycle, the sanitized indicator will turn on .

##### **HEAVY** 6.7 gallons, 125 minutes

This cycle is meant for heavily soiled dishes or cookware with dried-on or baked-on soils. This cycle may not remove burned-on foods. Everyday dishes are safe to be used in this cycle.

##### **NORMAL** 3.8 gallons, 140 minutes

This cycle is meant for loads of everyday dishes, glasses and cookware with medium soils that have not been pre-rinsed.

##### **LIGHT** 4.8 gallons, 78 minutes

This cycle is meant for loads of everyday dishes, glasses and cookware with light soils that have been pre-rinsed. **GLASSES** 3.9 gallons, 76 minutes

This cycle is meant for lightly soiled glassware. This cycle has less heating during the wash and rinse to protect your glassware. This cycle also has a lower temperature heated dry.

##### **SPEED** 5.8 gallons, 78 minutes

This cycle is meant for loads of everyday dishes, glasses and cookware with medium soils that have not been pre-rinsed. This cycle features reduced wash times to allow for faster cycle completion. This cycle also has a reduced time heated dry.

**RINSE** 1.9 gallons, 26 minutes

For rinsing partial loads that will be washed later. Do not use detergent with this cycle. This cycle does not include heated dry.

### **3** Delay Start Option

This option allows you to delay the start of a wash cycle for up to 24 hours.

**NOTE:** To cancel the **DELAY HOURS** option before the start of the cycle, repeatedly press the **DELAY HOURS** button until the display is blank or reads "00."

### **4** 2 Digit Display

This display is used for **DELAY START** and cycle time countdown.

When a cycle is selected, this display is populated with the total number of minutes in the cycle (up to 99 minutes). For cycle times above 99 minutes the display will read "99".

### **5** Starting a Cycle

After selecting the wash cycle (Step 2) and **DELAY START** (Step 3), if desired, close the door of the dishwasher to start the cycle or begin the **DELAY START** countdown. When the door is closed, there will be a 5 second delay followed by a 60 second pump out before the water fill begins.

### **6** Status Indicators

**SANITIZED** If the SANITIZE cycle is selected, the sanitized indicator light will be turned on at the end of the cycle. If the NSF requirements for sanitization are not reached, the light will **not** turn on.

**CLEAN** The green light will display and a beep will sound to alert you that the wash cycle is complete. If the door is **NOT** opened, the beep will sound 4 times.

## Using the dishwasher.



### Check the Water Temperature

The entering water should be at least 120°F and not more than 150°F for effective cleaning and to prevent dish damage. Check the water temperature with a candy or meat thermometer.

Turn on the hot water faucet nearest the dishwasher, place the thermometer in a glass and let the water run continuously into the glass until the temperature stops rising



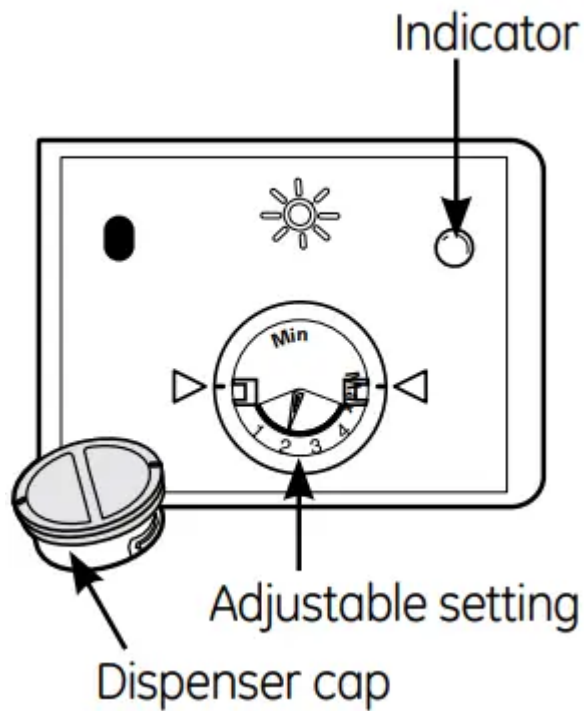
### Use Cascade Crystal Clear® Rinse Agent

**Cascade Crystal Clear®** rinse agent removes spots and prevents new film buildup on your dishes, glasses, flatware, cookware and plastic.

#### Filling the Dispenser

The rinse agent dispenser holds 3.5 oz. of rinse agent. Under normal conditions, this will last approximately one month. Try to keep it full, but do not overfill.

1. Make sure the dishwasher door is fully open.
2. Turn the dispenser cap to the left and lift it out.
3. Add rinse agent until the indicator window looks full.
4. Clean up any spilled rinse agent with a damp cloth.
5. Replace the dispenser cap.



### **Rinse Aid Setting**

The amount of rinse agent released into the final wash can be adjusted. The factory setting is at the midpoint. If there are rings of calcium (hard water) spots on dishes, try a higher setting. If you observe foam in the final rinse, try a lower setting.

### **To adjust the setting**

Remove the dispenser cap; then turn the adjuster counterclockwise to increase the amount of rinse agent or clockwise to reduce the amount of rinse agent dispensed.

### **Dish Preparation Prior to Loading**

- No prerinsing of normal food soil is required if using Heavy, Normal or Speed wash cycles.
- Scrape off hard soils, bones, toothpicks, skins and seeds.
- Remove large quantities of any remaining food.
- Remove leafy vegetables, meat, trimmings and excessive amounts of grease or oil.
- Remove acidic food soils that can discolor stainless steel.



## Proper Use of Detergent

Use only detergent specifically made for use in dishwashers. **Cascade®** Automatic Dishwashing Detergent has been approved.

Keep your detergent fresh and dry. Don't put detergent into the dispenser until you're ready to wash dishes.

The amount of detergent to use depends on whether your water is hard or soft. With hard water, you need extra detergent. With soft water, you need less detergent.

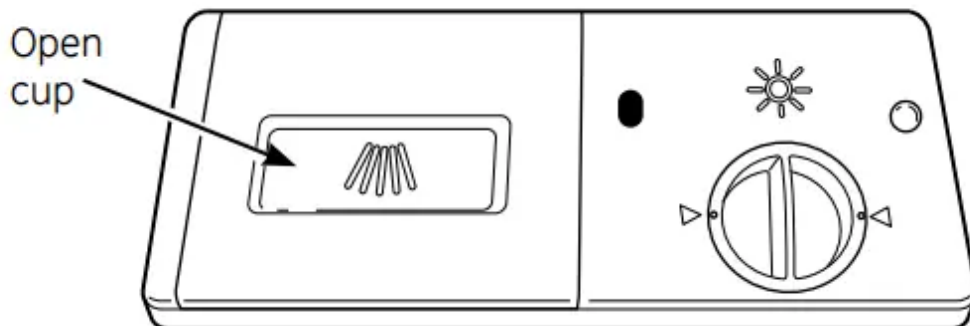
Protect your dishes and dishwasher by contacting your water department and asking how hard your water is. Twelve or more grains is extremely hard water. A water softener is recommended. Without it, lime can build up in the water valve, which could stick while open and cause flooding. Too much detergent with soft water can cause a permanent cloudiness of glassware, called etching.

Use the information in the table below as a guideline to determine the amount of automatic dishwasher detergent to place in the dispenser.

When using automatic dishwasher detergent tablets, simply place one tablet in the dispenser and close the cover.

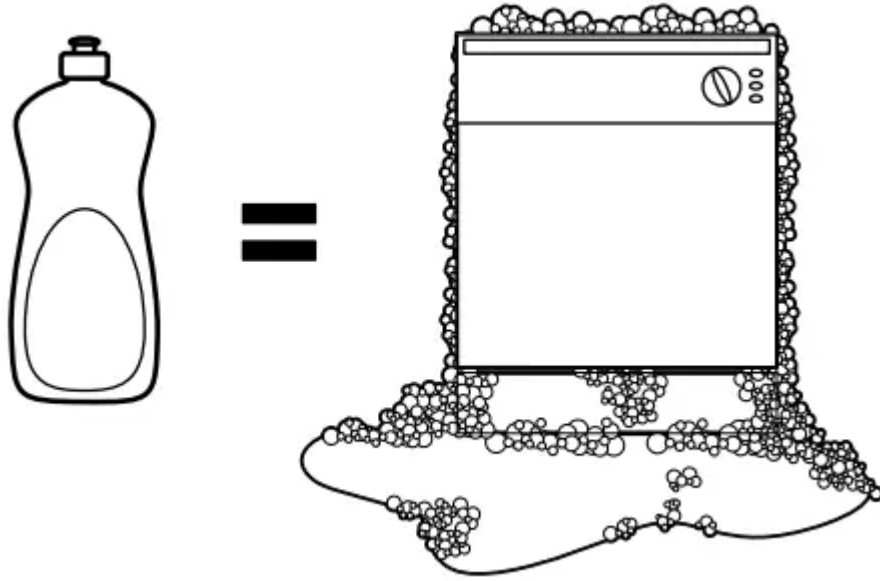
Number of Grains	

To open the wash cover, press the button and the cover will flip back.



For heavily-soiled loads, use the HEAVY wash cycle and add a little extra detergent.

**DO NOT USE HAND DISH DETERGENT**



**NOTE:** Using a detergent that is not specifically designed for dishwashers will cause the dishwasher to fill with suds. During operation, these suds will spill out of the dishwasher vents, covering the kitchen floor and making the floor wet.

Because so many detergent containers look alike, store the dishwasher detergent in a separate space from all other cleaners. Show anyone who may use the dishwasher the correct detergent and where it is stored.

While there will be no lasting damage to the dishwasher, your dishes will not get clean using a dishwashing detergent that is not formulated to work with dishwashers.



### **Forget to Add a Dish?**

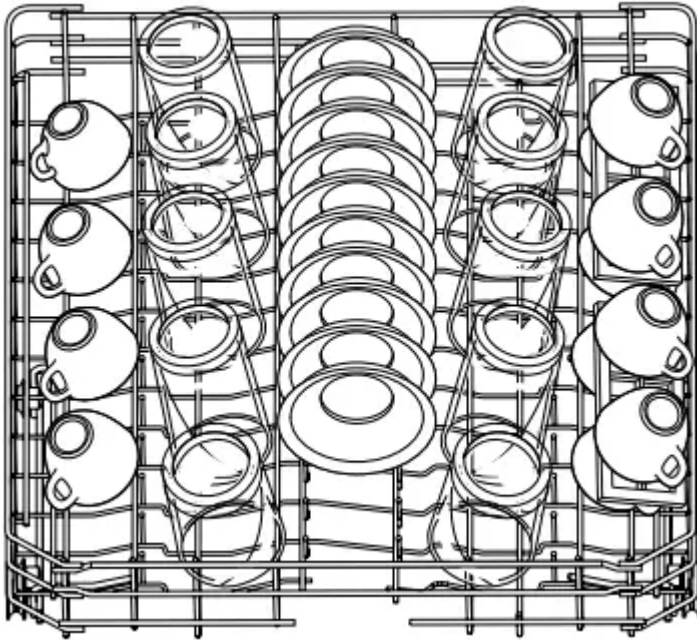
A forgotten dish can be added any time before ^ > the main wash.

1. Unlatch the door to interrupt the cycle. Pull the door handle to release the door.
2. Do not open the door until the water spray action stops. Steam may rise out of the dishwasher.
3. Add forgotten dishes.
4. Close the door and push it in to relatch.

### **Loading the dishwasher racks.**

For best dishwashing results, follow these loading guidelines. Features and appearance of racks and silverware baskets may vary from your model

## Upper Rack

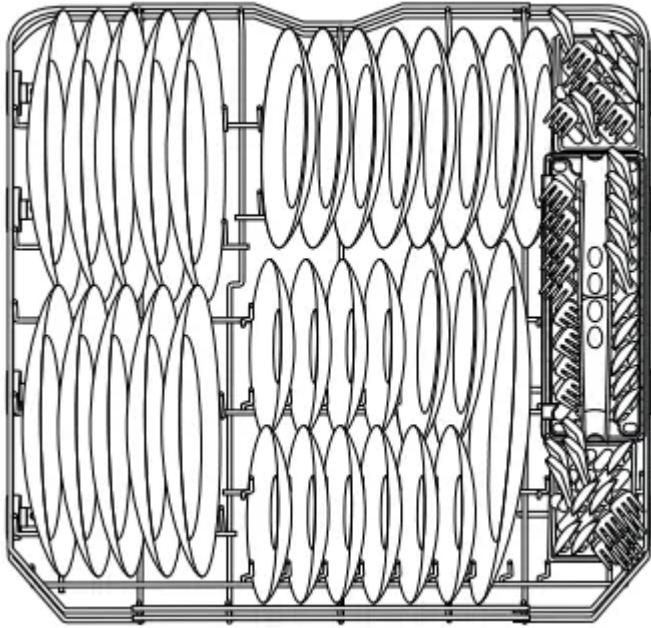


The upper rack is for glasses, cups and saucers. This is also a secure place for dishwasher-safe plastics. A cup shelf may be placed in the up or down position to add flexibility. The upper rack is good for all kinds of odd-shaped utensils. Saucepans, mixing bowls and other items should be placed face down.

Secure larger dishwasher-safe plastics over two tines when possible. Make sure small plastic items are secure so they can't fall onto the heater.

Be sure that items do not protrude through the bottom of the rack and block rotation of the middle spray arm. This could result in poor wash performance for items in the upper rack.

## Lower Rack



When loading the lower rack, do not load large platters or trays in the front left corner. They may prevent detergent from circulating during the wash cycle.

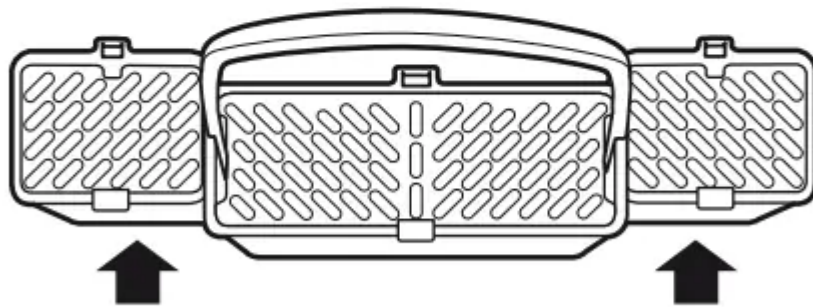
The lower rack is best used for plates, saucers and cookware. Large items should go along the sides. Load platters, pots and bowls along the sides, in corners or in the back. The soiled side of items should face the center of the rack.

### **Silverware Basket**

## Three-piece basket



Through bottom



To remove end baskets, grasp the basket at opposite corners and slide apart.

The silverware basket may be used without the topper for quick loading. With the topper, flatware is better positioned for the dishwasher to thoroughly wash and dry all pieces by preventing nesting.

### **Without the topper**

Put the flatware in the removable basket with fork and knife handles up to protect your hands. Place spoons in the basket with handles down. Mix knives, forks and spoons so they don't nest together. Distribute evenly. Small plastic items, such as measuring spoons and lids from small containers, should go in the bottom of the silverware basket with silverware on top.

### **With the topper**

Place small plastic items, such as measuring spoons and lids from small containers, in the bottom of the basket and snap the topper in place. Insert spoons and forks, handles first, through the holes in the topper. Place knives, blades first, through the holes in the topper.

Be careful not to let a portion of any item such as a pot or dish handle extend through the bottom rack. This could block the wash arm and cause poor washing results.

## **Caring for the dishwasher.**

To clean the control panel, use a lightly dampened cloth, then dry thoroughly. To clean the exterior, use a good appliance polish wax. Never use sharp objects, scouring pads or harsh cleaners on any part of the dishwasher

### **Cleaning the Exterior**

#### **Cleaning the Door Panel**

Before cleaning the front panel, make sure you know what type of panel you have. Refer to the last two letters of your model number. You can locate your model number on the left-hand tub wall just inside the door. If your model number ends with BB or WW, then you have a Painted Door panel. If your model number ends with SS, then you have a Stainless Steel Door panel.

Follow the instructions below for cleaning the door panel for your specific model.

#### **Painted Door Panel** (model numbers ending in BB-black or WW-white)

Use a clean, soft, lightly dampened cloth, then dry thoroughly. You may also use a good appliance wax or polish.

#### **Stainless Steel Door Panel** (model numbers ending in SS)

The stainless steel panels can be cleaned with Stainless Steel Magic or a similar product using a clean, soft cloth. Do not use appliance wax, polish, bleach or products containing chlorine on Stainless Steel doors.

You can order Stainless Steel Magic #WX10X15 through GE Parts by calling 800.626.2002.

Do not wipe the dishwasher with a soiled dish cloth or wet towel. These may leave a residue. Do not use scouring pads or powdered cleaners because these products can scratch the finish.

#### **Cleaning the Control Panel**

To clean the control panel, use a lightly dampened cloth; then dry thoroughly. Do not use sharp objects, scouring pads or harsh cleaners on the control panel.

#### **Stainless Steel Interior Tub and Inner Door**

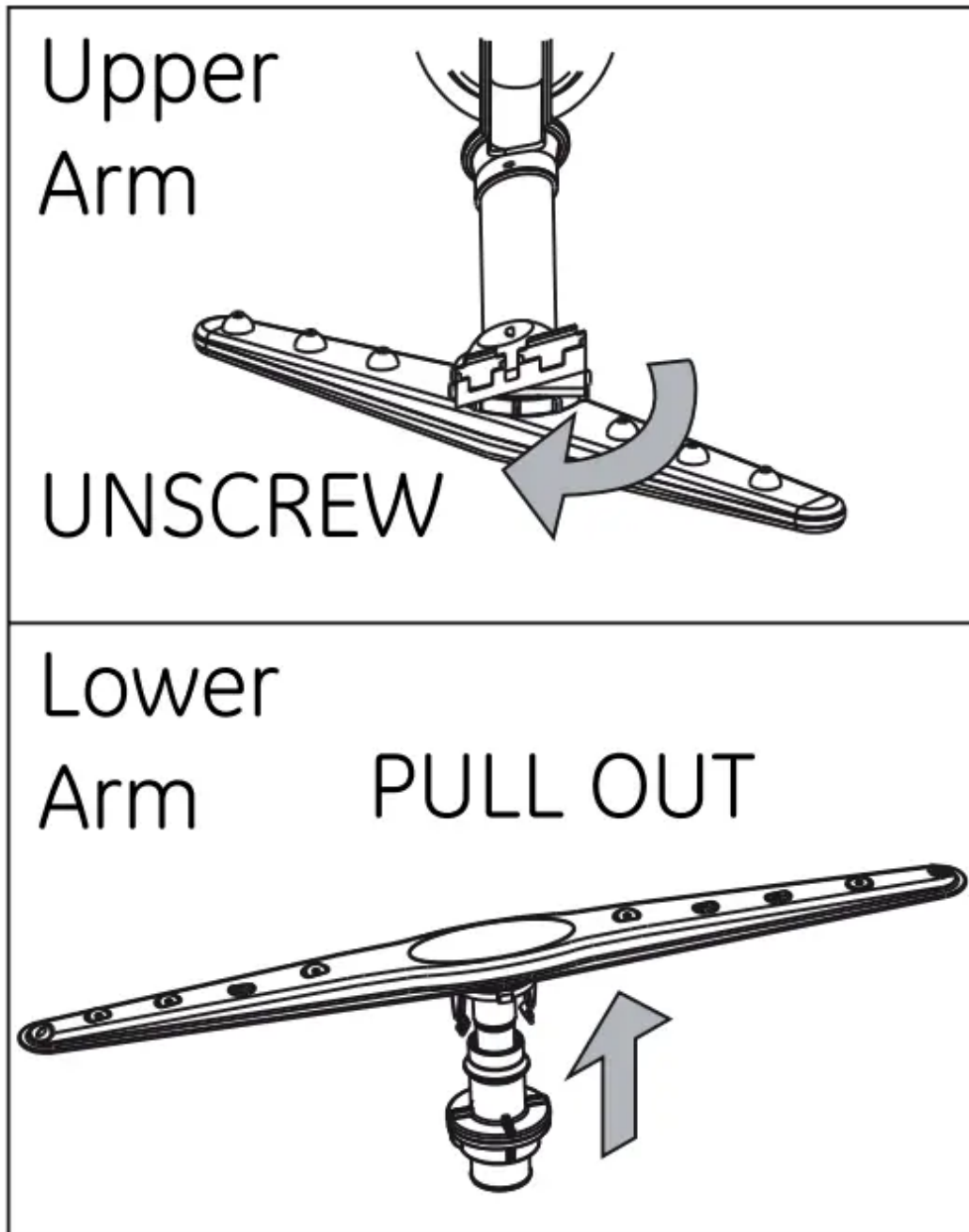
The stainless steel used to make the dishwasher tub and inner door provides the highest reliability available in a GE dishwasher. If the dishwasher tub or inner door is ever scratched or dented during normal use, they will not rust or corrode. These surface blemishes will not affect their function or durability.

#### **Cleaning the Spray Arms and the Filters**

The dishwasher will flush away all normal food soils. However, objects (fruit pits, bones, etc.) may collect in openings and should be removed occasionally to avoid clogging the drain system.

**CAUTION** Personal injury hazard. Before cleaning the interior, wait at least 20 minutes after a cycle for the heating element to cool down. Failure to do so could result in burn injuries.

### Cleaning the Spray Arms



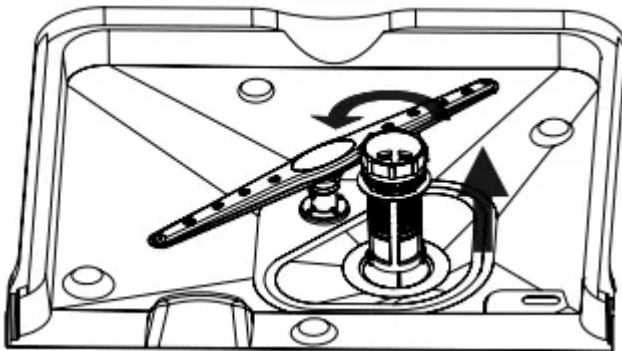
Because hard water chemicals will clog the spray arm jets and bearings, it is necessary to clean the spray arms regularly. Wash the arms in soapy, warm water and use a soft brush to clean the jets. Replace them after rinsing thoroughly.

To remove the **upper spray arm**, unscrew the nut clockwise.

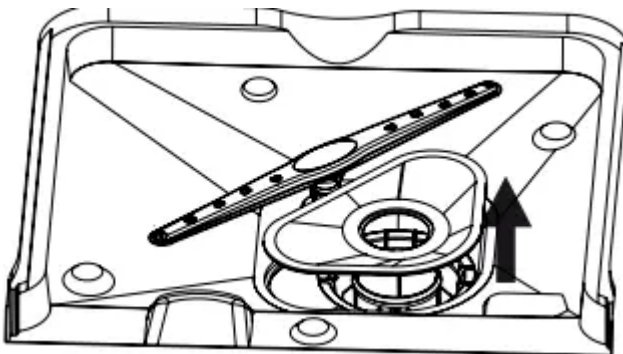
To remove the **lower spray arm**, pull upward.

### **Cleaning the Filters**

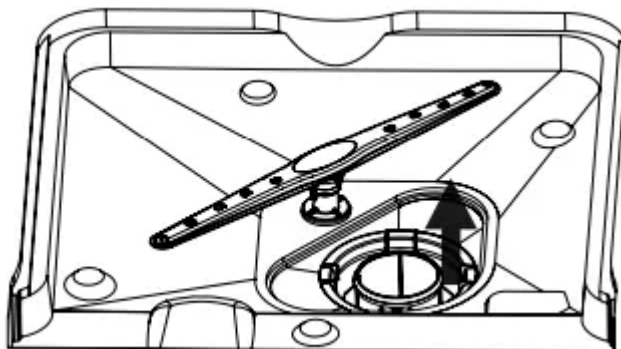
For best performance and results, the filter assembly must be cleaned **once a month**. The filter efficiently removes food particles from the wash water, allowing water to be recirculated during the cycle. For this reason, it is a good idea to remove the large food particles trapped in the filter frequently by rinsing the main filter and cup under running water. **To remove the filter assembly, follow the 3 steps shown below.** To clean the main filter and fine filter, use a cleaning brush. The dishwasher must never be used without the filters. Improper replacement of the filter may reduce the performance level of the appliance and may damage dishes and utensils.



**STEP 1:** Turn the filter counter-clockwise and lift up.



**STEP 2:** Lift the main filter up



**STEP 3:** Lift the fine filter up

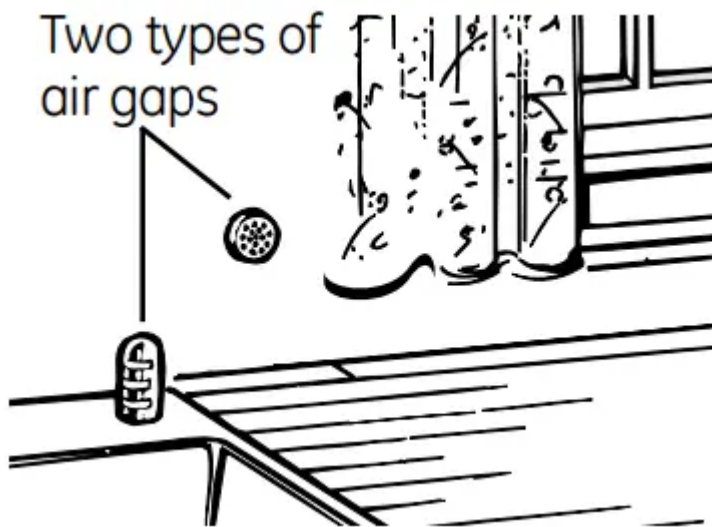
## General Care Instructions

### Protect Against Freezing

If your dishwasher is left in an unheated place during the winter, ask a service technician to:

1. Cut off electrical power to the dishwasher. Remove fuses or trip circuit breaker.
2. Turn off the water supply and disconnect the water inlet line from the water valve.
3. Drain water from the water inlet line and water valve. (Use a pan to catch the water.)
4. Reconnect the water inlet line to the water valve.

### Does Your Dishwasher Have an Air Gap?



Check the air gap any time your dishwasher isn't draining well.

An air gap protects your dishwasher against water backing up into it if a drain clogs.

The air gap is not a part of the dishwasher.

It is not covered by your warranty. Not all plumbing codes require air gaps, so you may not have one.

### The air gap is easy to clean.

1. Turn off the dishwasher and lift off the chrome cover.
2. Remove the plastic cap and clean with a toothpick.

## Before you call for service...

**Troubleshooting Tips - Save time and money! Review the charts on the following pages, or visit [GEAppliances.com](http://GEAppliances.com). You may not need to call for service.**

<b>Problem</b>	
<ul style="list-style-type: none"> <li>To remove suds from the tub, open the dishwasher and let the suds evaporate. Add 1 gallon of cold water to the tub. Close and latch the dishwasher. Repeat if necessary.</li> </ul>	
<b>Rinse agent was spilled</b>	<ul style="list-style-type: none"> <li>Always wipe up rinse agent spills</li> </ul>
<b>Stained dishwasher parts</b>	<b>Detergent with colorant was used</b>
	<b>Some tomato-based foods can stain</b>
<b>Dishwasher won't run</b>	<b>Fuse is blown, or the circuit breaker tripped</b>
	<b>Power is turned off</b>
	<b>Reboot your control</b>
<b>Steam</b>	<b>This is normal</b>



<b>Beeping at the end of the cycle</b>	<b>This is normal</b>
<b>Dishes and flatware not clean</b>	<b>Low inlet water temperature</b>
	<b>Water pressure is temporarily low</b>
	<b>Air gap is clogged</b>
	<b>Improper rack loading</b>
	<b>No air gap or high drain loop</b>
	<b>Filter needs cleaning</b>
<b>Spots and filming on glasses and flatware</b>	<b>Extremely hard water</b>
	<b>Low inlet water temperature</b>
	<b>Overloading the dishwasher / Improper loading</b>
	<b>Old or damp powder detergent</b>
	<b>Rinse agent dispenser empty Too little detergent</b>



<b>Cloudiness on glassware</b>	<b>Combination of soft water and too much</b>
	<b>Water temperature entering the dishwasher 150°F</b>
<b>Black or gray marks on dishes</b>	<b>Aluminum utensils have rubbed against</b>
<b>Yellow or brown film on inside surfaces</b>	<b>Tea or coffee stains</b>
	<b>An overall yellow or brown film can be caused by deposits in water</b>
<b>White film on inside surfaces</b>	<b>Hard water minerals</b>
<b>Dishes don't dry</b>	<b>Low inlet water temperature</b>
	<b>Rinse agent dispenser is empty</b>
<b>Control panel responded to input but dishwasher never filled with water</b>	<b>Door latch may not be properly seated</b>

	<b>Water vale may be turned off</b>
<b>Dishwasher beeps once every 15 seconds</b>	<b>This is normal</b>
	<b>This is a reminder that the door has been open during operation</b>

**Warning**

This content is compiled from multiple sources and is provided for reference purposes only. It may not be complete or fully applicable to all situations. If you are unable to resolve your issue, please contact the product manufacturer or an authorized service provider for official support.

