

Setting up

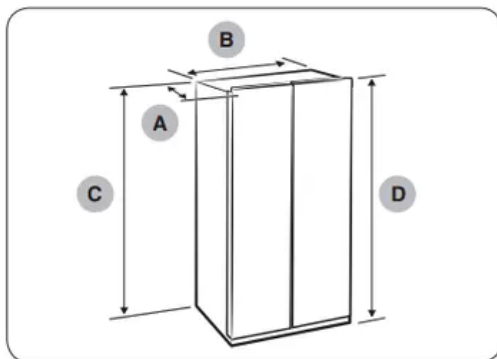
Getting ready to install the refrigerator

Selecting the best location for the refrigerator

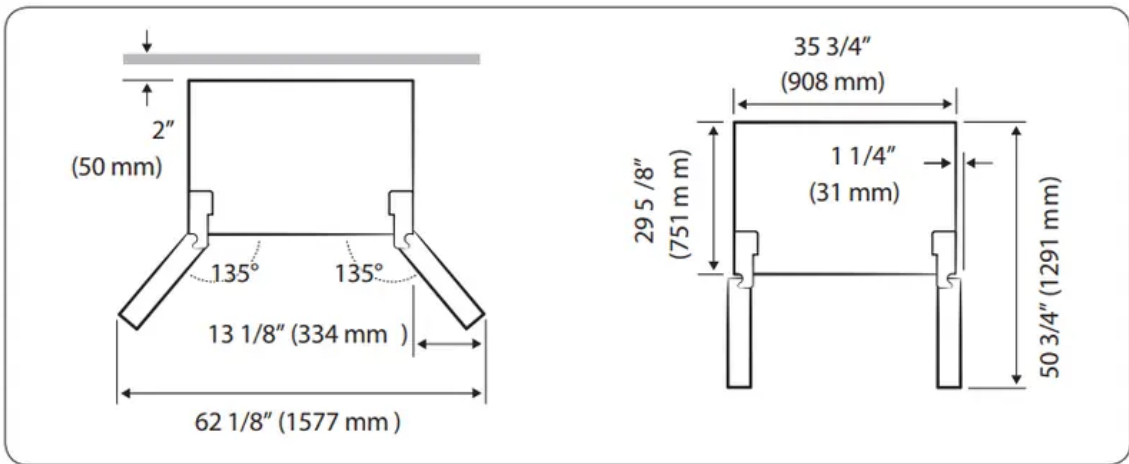
Choose :

- A location with easy access to a water supply.
- A location without direct exposure to sunlight.
- A location with level (or nearly level) flooring.
- A location with enough space for the refrigerator doors to open easily.
- A location that allows sufficient space to the right, left, back, and top for air circulation. If the refrigerator does not have enough space, it can cause the bad influence to refrigeration efficiency and power consumption.
- A location that allows you to move the refrigerator easily if it needs maintenance or service.
- Do not install the refrigerator in locations where the temperature is over 110 °F (43 °C) or below 50 °F (10 °C).

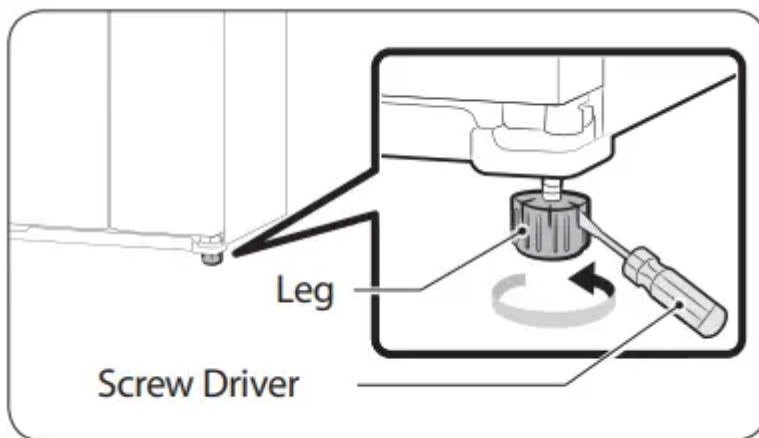
If your refrigerator is not level, the internal cooling system may not work correctly. Refer to drawing and dimensions below for overall space required for use.



Depth "A"	34" (864 mm)
Width "B"	35 3/4" (908 mm)
Height "C"	68 1/2" (1740 mm)
Overall Height "D"	70" (1776 mm)



When moving your refrigerator



Flooring



For proper installation, you must place this refrigerator on a level, hard surface that is the same height as the rest of the floor. This surface should be strong enough to support a fully loaded refrigerator. To protect the finish of the flooring during installation, cut a large section



of the cardboard carton and place it under the refrigerator where you are working. When moving the refrigerator, you need to pull and push it straight forwards or back. Do not wiggle it from side to side.

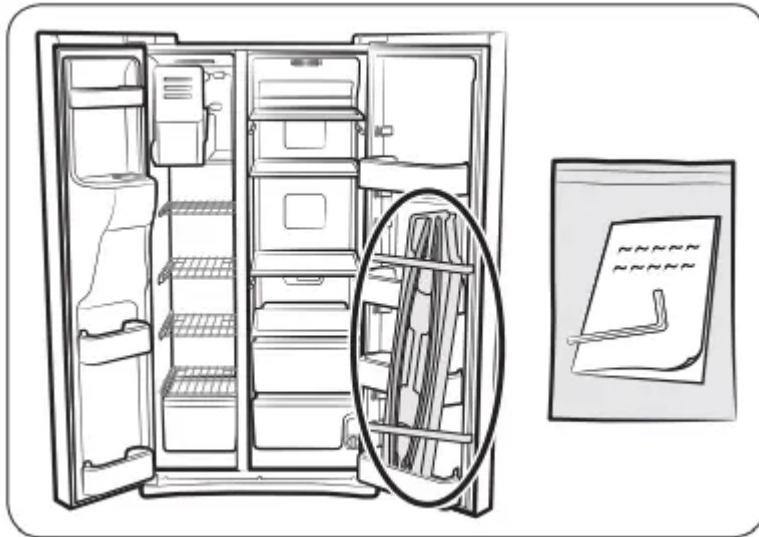
CAUTION: When installing, servicing or cleaning behind the refrigerator, be sure to pull the unit straight out and push back in straight after finishing.

Important: Make sure that you can easily move your refrigerator to its final location by measuring doorways (both width and height), thresholds, ceilings, stairways, etc. The following chart details the exact height and depth of this Samsung Side by Side Refrigerator.

Setting up the refrigerator

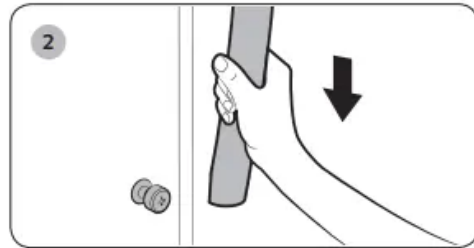
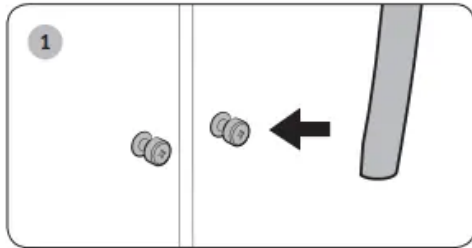
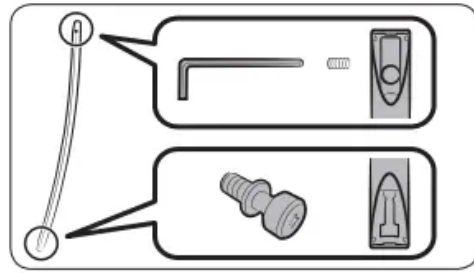
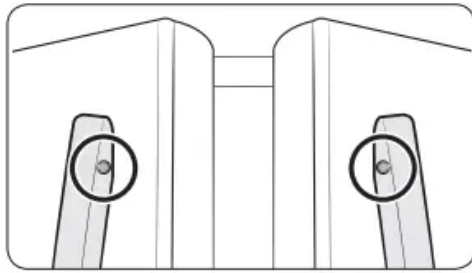
Installing the handles

Important: If you need to remove the refrigerator's doors to move it into place, install the handles after you put the doors back on. Take the handles out of the right side door.

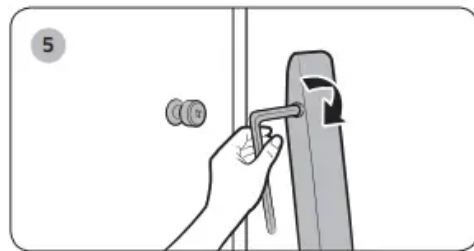
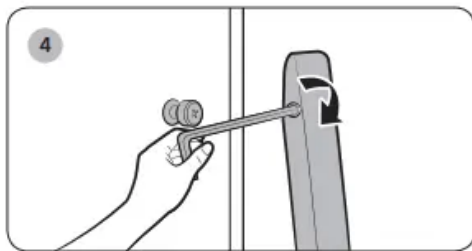
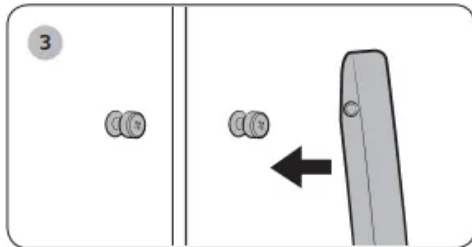


How to install the handles

Orient each handle so that the end with the sticker attached is at the top and the holes with the tightening screws are facing each other. Then, follow the directions below to install each handle.

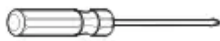


Fix the handles to the doors by sliding them down firmly.



Removing the refrigerator doors

Tools you'll need



Philips Screwdriver

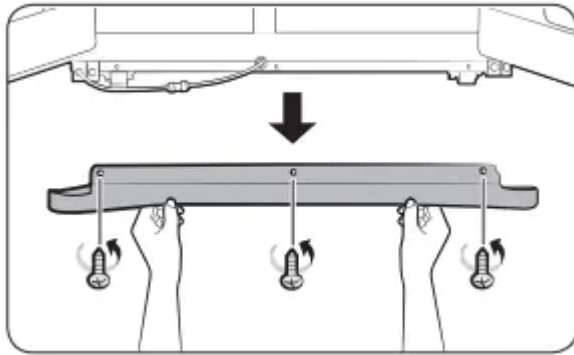


Flat-blade Screwdriver



Socket Wrench
(13/32") (10 mm)

1. Removing the Front Leg Covers

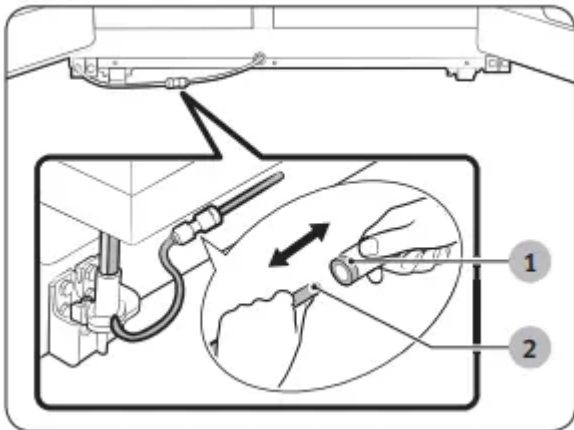


Open both the freezer and refrigerator doors.

Unscrew the three screws holding the front leg cover in place by turning them counterclockwise.

When the screws are loose, remove the front leg cover.

2. Separate the water supply line from the refrigerator



Remove one or two water lines, depending on the model, by pressing each coupler (1) and pulling the water lines (2) away.

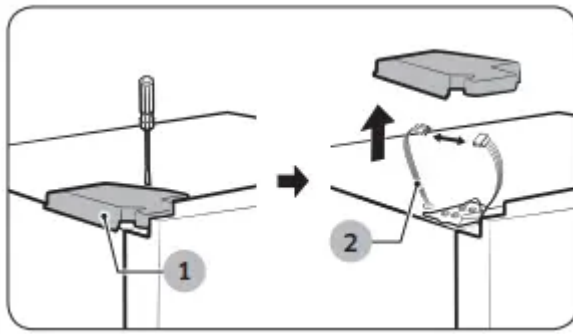
NOTE: Your refrigerator may have one or two water lines, depending on the model. If it has two, the lines are different colors. Make sure you match the colors when you re-attach them. CAUTION: Do not cut the water line. Gently separate it from the coupler.

3. Remove the freezer door

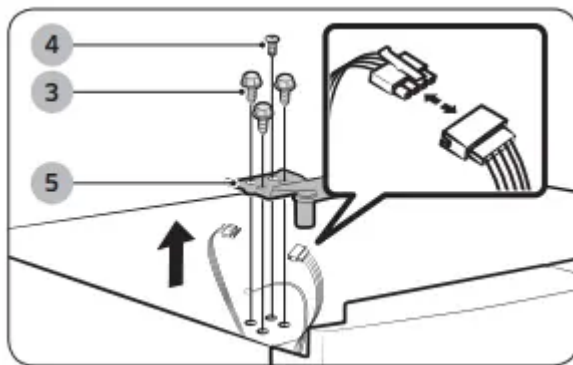
A few things to mention first.

- Make sure that you lift the door straight up so the hinges are not bent or broken.
- Be careful not to pinch the water tubing and wire harness on the door.
- Place doors on a protected surface to prevent scratching or damage.
- Is necessary, have two people disassemble the doors.

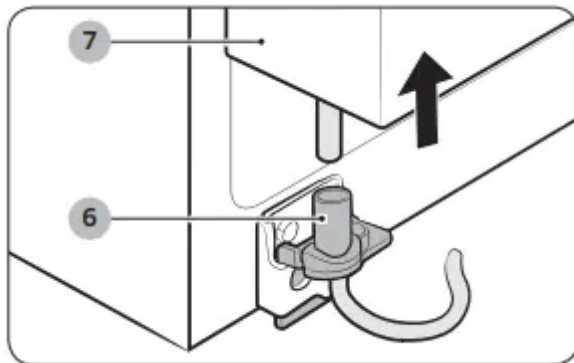
1. With the Freezer door closed, remove the upper hinge cover (1) using a screwdriver, and then disconnect the wires by gently pulling them apart (2).



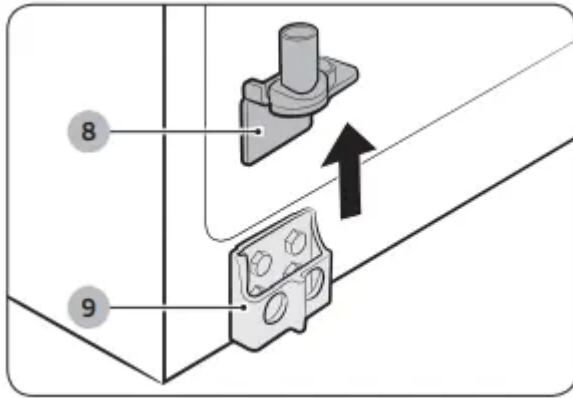
2. Remove the hinge bolts (3) with a 13/32" (10 mm) Socket Wrench. Remove the ground screw (4) by turning it counter-clockwise. Take off the upper hinge (5) in the direction of the arrow. Take care that the door does not fall on you.



3. Open the Freezer door, and then remove the door from the lower hinge (6) by carefully lifting it up (7).

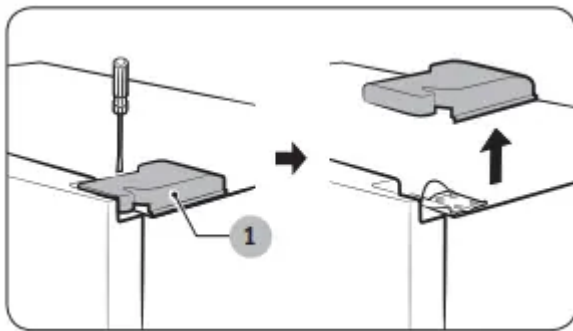


4. Remove the lower hinge (8) from the lower hinge bracket (9) by lifting the lower hinge up in the direction of the arrow.

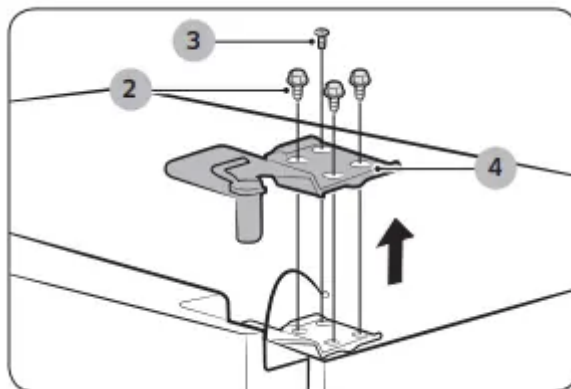


4. Remove the fridge door

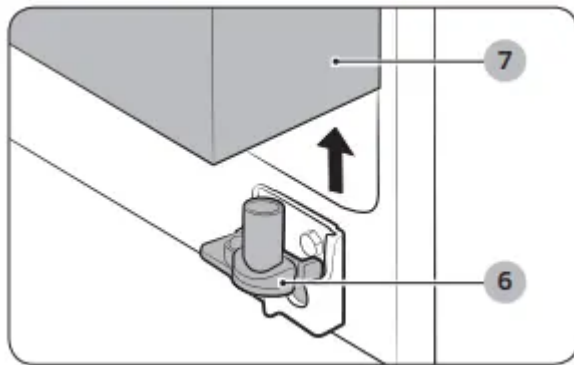
1. With the door closed, remove the upper hinge cover (1) using a screwdriver.



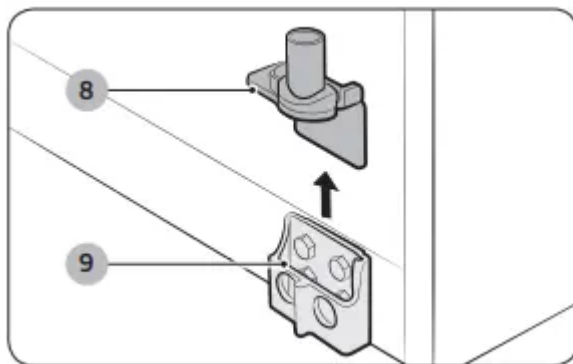
2. Remove the hinge bolts (2) with a 13/32" (10 mm) Socket Wrench. Remove the ground screw (3) by turning it counter-clockwise. Take off the upper hinge (4) in the direction of the arrow. Take care that the door does not fall on you.



3. Remove the door from the lower hinge (6) by lifting the door (7).



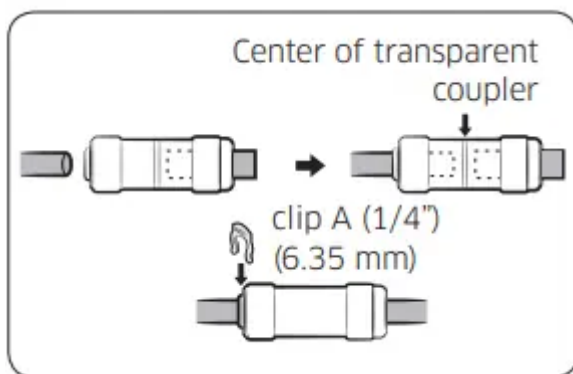
4. Remove the lower hinge (8) from the lower hinge bracket (9) by lifting the lower hinge up in the direction of the arrow.



Re-attaching the Fridge Door - To re-attach the fridge door, replace parts in reverse order.

Re-attaching the Freezer Door - To re-attach the freezer door, replace parts in reverse order.

Re-attaching the Water Supply Lines



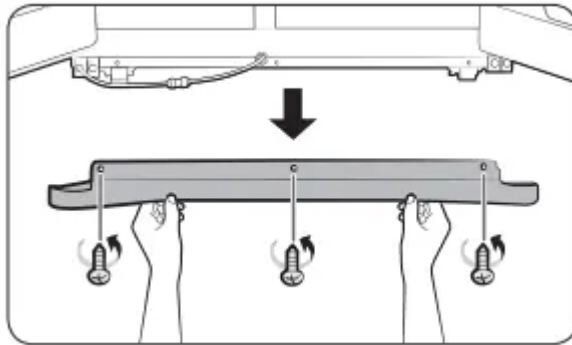
1. The Water Lines must be fully Inserted into the center of the transparent coupler to prevent water leakage from the dispenser.

2. Insert the 2 clips in the install pack as shown below, and then confirm that each clip holds the line firmly.



Leveling the refrigerator

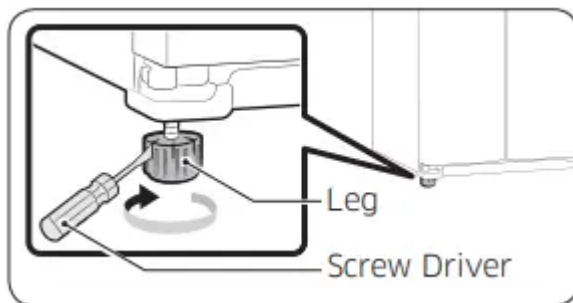
Before levelling the refrigerator, remove the front leg cover.



Open both the freezer and refrigerator doors. Unscrew the three screws holding the front leg cover in place by turning them counterclockwise. When the screws are loose, remove the front leg cover.

When the Freezer part is lower than the Fridge part. Insert a flat-blade screwdriver into a slot on the Freezer Leg, then turn it clockwise.

When the Fridge part is lower than the Freezer part.



Insert a flat-blade screwdriver into a slot on the Fridge Leg, then turn it clockwise.

NOTE: Refer to the next section for the best way to make very minor adjustments to the doors.

Installing the water dispenser line

A water dispenser is one of the helpful features on your new Samsung Refrigerator.

To help promote better health, the Samsung water filter removes unwanted particles from your water.

However, it does not sterilize or destroy microorganisms.

You may need to purchase a water purifying system to do that.

The water line also connects to the ice maker.

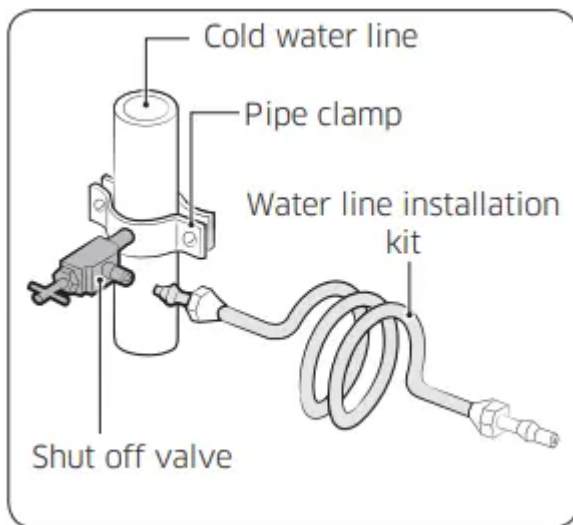
For the ice maker to operate properly, water pressure of 20 ~ 125 psi (138 ~ 862 kPa) is required.

If the refrigerator is installed in an area with low water pressure (below 20 psi), you can install a booster pump to compensate for the low pressure.

After you have connected the water line, make sure the water storage tank inside the refrigerator is properly filled.

To do this, press the water dispenser lever until water runs from the water dispenser.

Connecting to the water supply line



1. First, shut off the main water supply line and turn the ice-maker off. NOTE: The refrigerator should NOT be plugged in at this point.
2. Locate the nearest cold water drinking water line.
3. Install the pipe clamp and shut off valve.
4. Connect the water line installation kit to the shut off valve.

Connecting the water supply line to the refrigerator

There are several items that you need to purchase to complete this connection. You may find these items sold as a kit at your local hardware store.

Use Copper Tubing

- 1/4" (6.35 mm) copper tubing
- 1/4" (6.35 mm) compression nut (1pc)
- Ferrule (2pc)

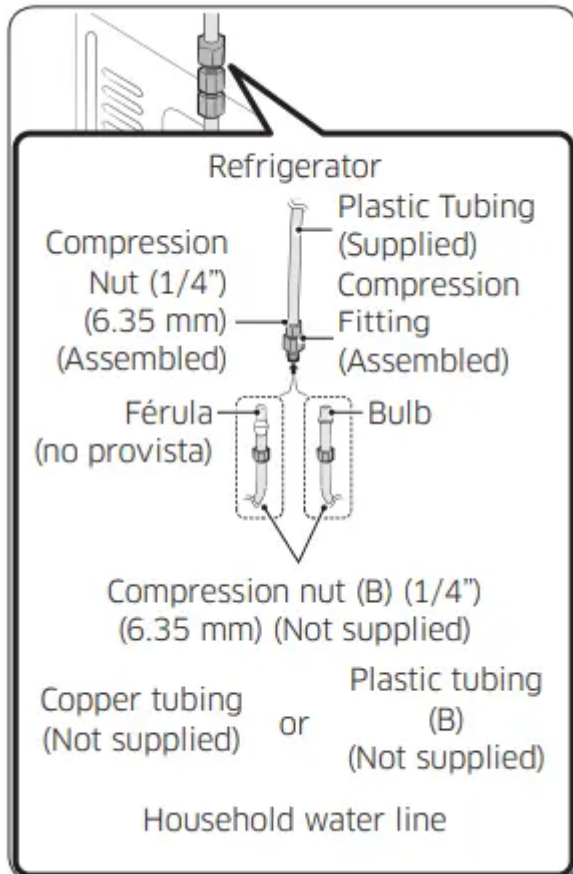
Use Plastic Tubing

- 1/4" (6.35 mm) plastic tubing → Molded end (Bulb)

1/4" (6.35 mm) compression nut (1pc)

1. Connect the household water line to the assembled compression fitting.

- If you are using copper tubing, slip the compression nut (B) (not supplied) and ferrule (not supplied) on the copper tubing (not supplied) as shown.
- If you are using plastic tubing (B), insert the molded end (Bulb) of the plastic tubing (B) into the compression fitting.



2. Tighten the compression nut (B) onto the compression fitting. Do not over-tighten the compression nut (B).

3. Turn the water on and check for any leaks inside the refrigerator, around the water filter, and in any connection areas. If you find water drops or leaks, turn off the main water supply. If the leaks are in the connection areas, check the connections and, if necessary, tighten. If there are leaks in the refrigerator, check the water filter and confirm it is in the locked position. Turn on the water supply and check for leaks again.

4. Plug in the refrigerator.

5. Flush 3 gallons of water through the filter before drinking or using the water from the refrigerator. (Flush approximately 6 minutes.) This will clean the water supply system and remove air from the lines. To flush, press the Water button, and then press a large glass or cup against the water dispenser lever. Fill the glass, empty it into the kitchen sink after it is filled, and then repeat.

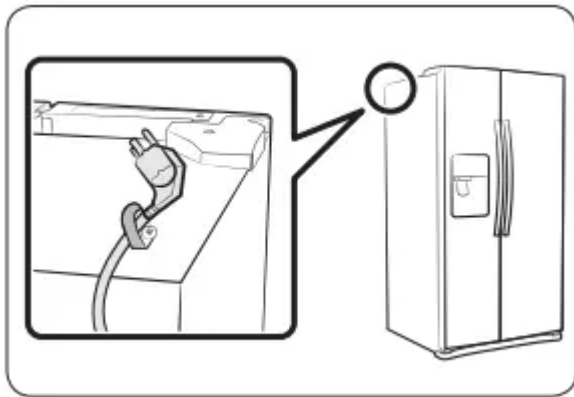
6. Open the refrigerator door and make sure there are no water leaks coming from the water filter.

Completing the set up

Now that you have your new refrigerator installed in place, you are ready to set up and enjoy the features and functions of the appliance. By completing the following steps, your refrigerator should be fully operational.

1. Make sure your refrigerator is in an appropriate location with reasonable clearance between it and the wall. Refer to installation instructions in this manual.
2. Once the refrigerator is plugged in, make sure the interior light comes on when you open the doors.
3. Set the Temperature control to the coldest temperature and wait for an hour. The freezer will get slightly chilled and the motor will run smoothly. Reset the refrigerator and freezer to the temperatures you want.
4. After you plug the refrigerator in, it will take a few hours to reach the appropriate temperature. You can store food and drinks in the refrigerator after the temperature is sufficiently cool.

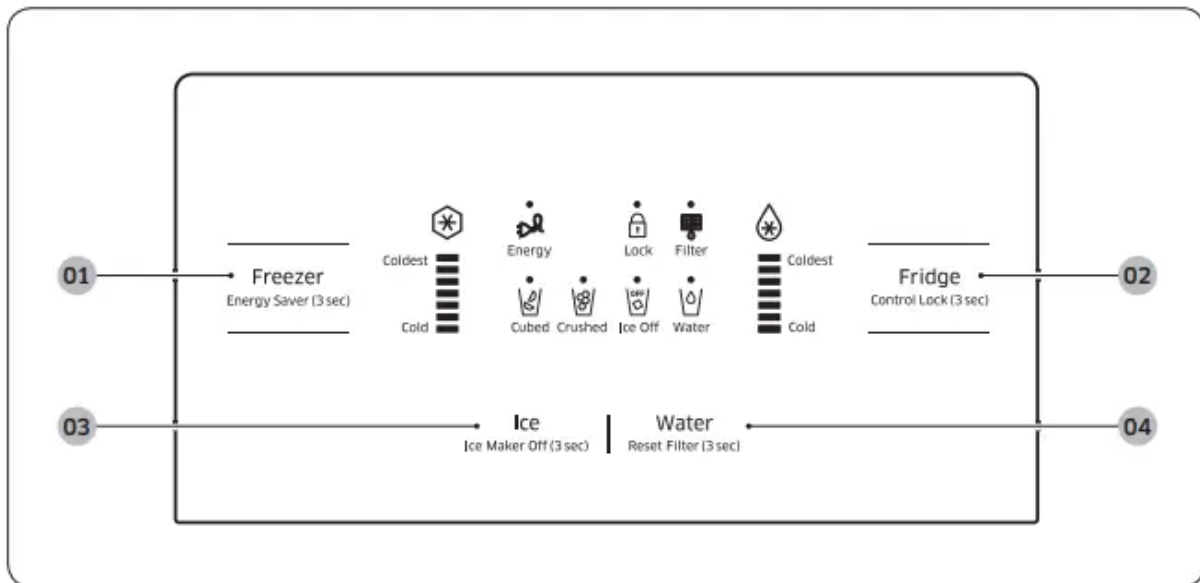
Preventing Power Cord Damage:



To prevent power cord damage, fix any excess power cord to the top rear of the refrigerator as shown in the illustration below.

Operating

Checking the control panel



01 Freezer / Energy Saver (3 sec) - Press the **Freezer** button to set the freezer temperature between cold and coldest. Press Freezer button for several times to activate the Power Freeze icon which speeds up the freezing process in the freezer. This can be helpful if you need to quickly freeze items that spoil easily or if the temperature in the freezer has warmed dramatically (For example, if the door was left open). If you need to freeze a large amount of food, activate the Power Freeze function at least 20 hours before you put the food into the freezer. Press and hold the **Freezer** button for 3 seconds to activate the Energy Saver function for better energy efficiency. If condensation occurs on the doors, turn the Energy Saver function off.

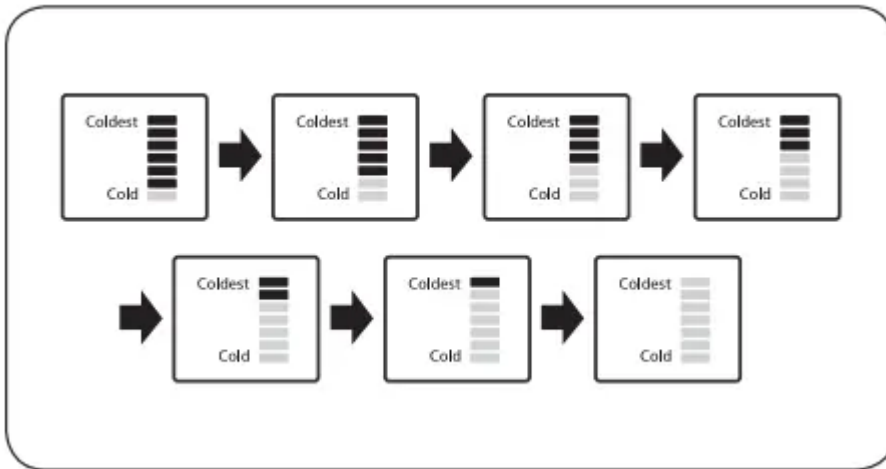
02 Fridge / Control Lock (3 sec) - Press the **Fridge** button to set the Fridge temperature between cold and coldest. Press and hold the **Fridge** button for several times to activate the Power Cool function which speeds up the cooling process in the refrigerator. If you press and hold the Fridge button for 3 seconds, all buttons will be locked and the dispenser pad will not work.

03 Ice / Ice Maker Off (3 sec) - Press the **Ice** button to select cubed ice or crushed ice. Press and hold the Ice button for 3 seconds to turn the ice making function off. Press and hold the **Ice** button again for 3 seconds to turn the ice making function back on.

04 Water / Reset Filter (3 sec) - Press the **Water** button to turn the water dispenser on. Press and hold the **Water** button for 3 seconds after changing the filter to reset the water filter indicator.

Using the control panel

Freezer / Fridge (Temperature adjustment)



Press the Freezer or Fridge button until the desired temperature is set. For a lower temperature, press the Freezer or Fridge button until more LEDs light (colder). For a higher temperature, press the Freezer or Fridge button until fewer LEDs light (less cold). Each time you press the Freezer or Fridge button, the temperature indicator changes in the order shown below.



Power Freeze - This icon lights when you activate the Power Freeze function. Power Freeze function generates cool air for 50 hours continuously, chilling the freezer more quickly. This function is useful when you need to decrease the temperature in the freezer quickly or to make more ice rapidly. When the freezer is cold enough or you have enough ice, just press the Freezer button again to cancel the Power Freeze function.



Energy Saver - This icon lights when you activate the Energy Saver function. The Energy Saver function is automatically set to "ON" when power is supplied to the Refrigerator. If condensation occurs on the doors, turn the Energy Saver function off.



Control Lock - This icon lights when you activate the Lock function. When the Lock icon is lit, all the panel buttons, including the Ice button and the dispensers, are locked and de-activated. Press and hold the Fridge button for 3 seconds to turn Lock off and re-activate the panel buttons.



Filter Indicator - This icon turns red when you need to change the filter, usually after the refrigerator has dispensed about 300 gallons of water (or after about 6 months). The icon will blink red for several seconds when you open or close the door. The filter Indicator will be Off when you initially insert the water filter.



Power Cool - This icon lights when you activate the Power Cool function. Power Cool function is great for a quick fridge cool down. If you activate the Power Cool function, the inside temperature of the Fridge decreases for about two and a half hours. When you want to turn Power Cool off, press Fridge button again.



Cubed or Crushed - Enjoy cubed or crushed ice by selecting your preference from the digital control panel. The ice type light indicates the type of ice that is currently chosen.



Ice Off - This icon lights when you activate the Ice Off function. When the Ice Off icon is lit, the ice maker is turned off.



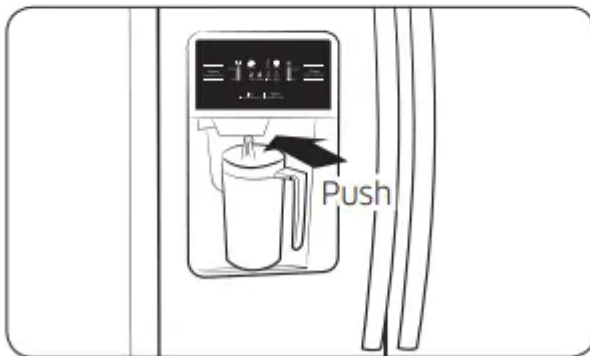
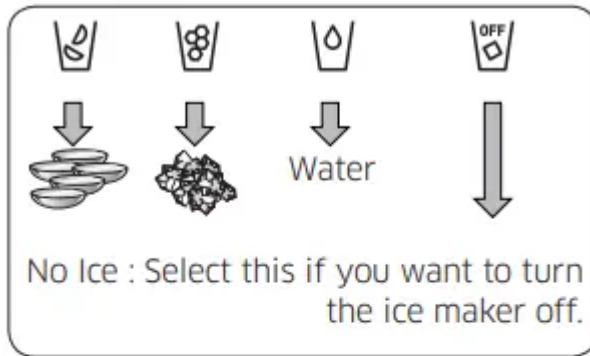
Water - This icon lights when you activate the Water function. When the Water icon is lit, the water dispenser is on.

Display Off - To conserve energy, the Panel Display turns off automatically under the following conditions: When no button has been pressed, when no doors have been opened, or when no Dispenser Lever has been pushed for a period of time. However, the icon indicating your Water or Cubed / Crushed selection, stays on. When you press a button, open a door, or push a Dispenser Lever, the Panel Display turns on again. Except for the Water and Ice buttons, all function buttons will become operational after you remove your finger from the button you are currently pressing.

Cooling Off Mode (Demo Mode/Shop Mode)

- Cooling Off mode (also called Shop mode or Demo mode) is designed for use by retailers when they display refrigerators on the shop floor. In Cooling Off mode, the refrigerator's fan motor and lights work normally, but the compressors do not run, and the refrigerator and freezer do not get cold.
- To start Cooling Off mode, Press and hold the Freezer button, the Ice button and the Fridge button for 5 seconds during normal operation. The refrigerator chime sounds and Animation(Freezer/Fridge Temperature Indicator moveing) appears on the display.

Using the ice and cold water dispenser



Using the water dispenser

Press the Water button on the control panel.

Place your glass under the water outlet, and then push against the dispenser pad until you hear a click.

Make sure the glass is in line with the dispenser to prevent the water from splashing out.

To get colder water

- The dispensed water is cool, not icy cold.
- When you want colder water, dispense ice into your glass first before filling it with water to prevent water from splashing out.

Using the ice dispenser

Press the Ice button to select the type of ice you want.

Place your glass under the ice outlet, and then push gently against the dispenser pad.

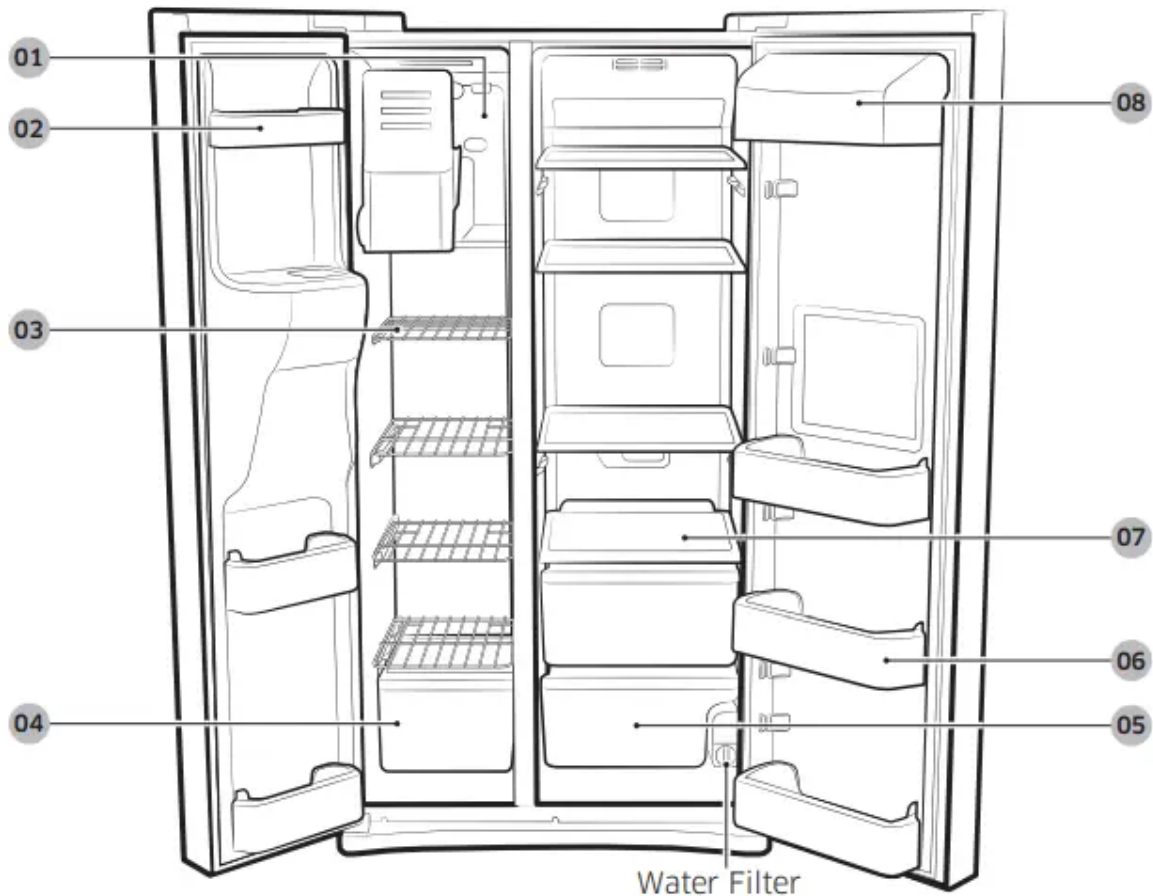
Make sure the glass is in line with the dispenser to prevent the ice from bouncing out.

When cubed ice is selected after you have dispensed crushed ice, a small amount of residual crushed ice might be produced.

Storing food

The Samsung Side-By-Side Refrigerator has been designed to provide you with maximum space saving features and functions. Here are some of the customized compartments we have created to keep your food fresher, longer.

Important : To prevent odors from penetrating the ice in the ice maker, store all food securely in wraps or containers that are as airtight as possible



Storing Food in the Freezer

01 Xtra Space - Can be used for frozen foods such as pizza, pasta, burritos, and fajitas. To prevent odor penetration of the ice, stored food should be wrapped securely.

02 Door Bins - Can be used for small packages of frozen food.

03 Shelves - Can be used to store frozen food.

04 Freezer Drawer - Best used for storing meat or other frozen items. For safe keeping, stored food should be wrapped securely in foil or other suitable wrapping materials or containers.

Storing Food in the Fridge

05 Fruit & Vegetable Drawer - Used to preserve the freshness of your stored vegetables and fruits.

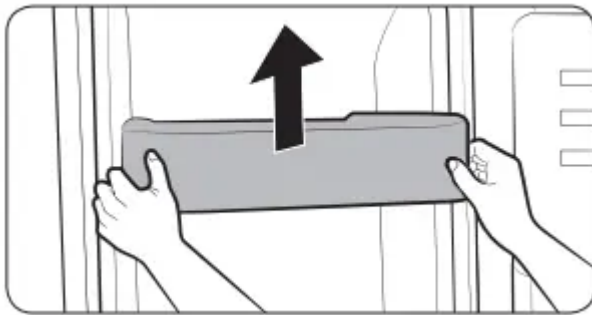
06 Door Bin - Designed to handle large, bulky items such as gallons of milk or other large bottles and containers.

07 Glass Shelf - Designed to be crack-resistant. They can be used to store food and drinks. Circular marks on the glass surface are a normal phenomenon and can usually be wiped clean with a damp cloth.

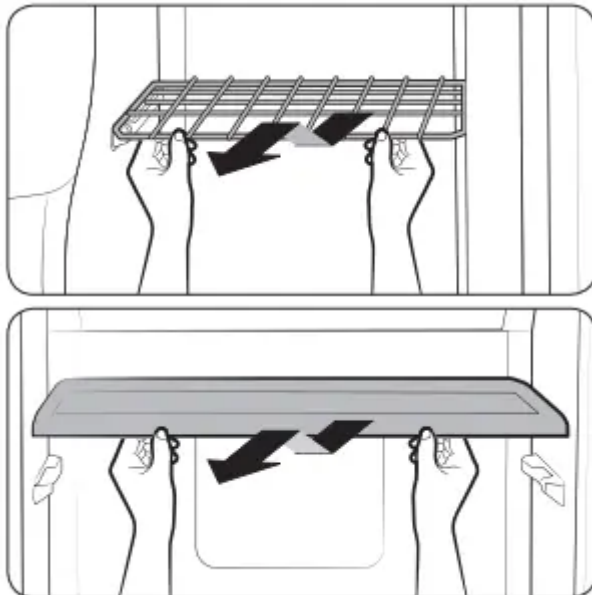
08 Dairy Bin - Can be used to store smaller dairy items like butter or margarine, yogurt, or cream-cheese bricks.

Removing the freezer/fridge accessories

1. Door Bins To remove, firmly grab the door bin with both hands and lift it up gently.



2. Shelves Pull the shelf out as far as it goes. Then lift it up and remove it. (Wire Shelf/Glass Shelf)



3. Drawer To remove, pull the drawers out as far as they go, and then lift up slightly and pull. (Drawer/Fruit & Vegetable Drawer)



Care and cleaning

Cleaning the refrigerator

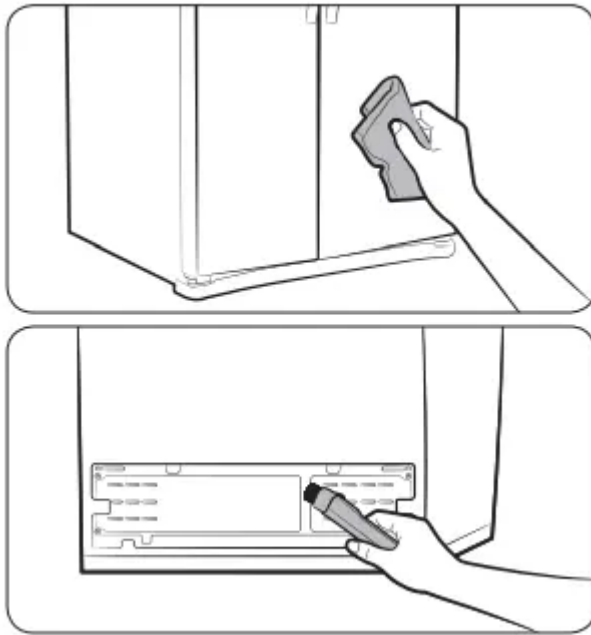
Cleaning the Interior



Clean the inside walls and accessories with a mild detergent, and then wipe dry with a soft cloth.

You can remove the drawers and shelves for a more thorough cleaning. Just make sure to dry them before putting them back into place

Cleaning the Exterior



Wipe the digital panel and display panel with a clean, soft cloth.

Spray water onto the cleaning cloth instead of spraying directly on the surface of the refrigerator. This helps ensure an even distribution of moisture on the surface.

The doors, handles, and cabinet surfaces should be cleaned with a mild detergent, and then wiped dry with a soft cloth. To keep your appliance looking its best, the exterior should be polished once or twice a year.

Cleaning the rubber door seals



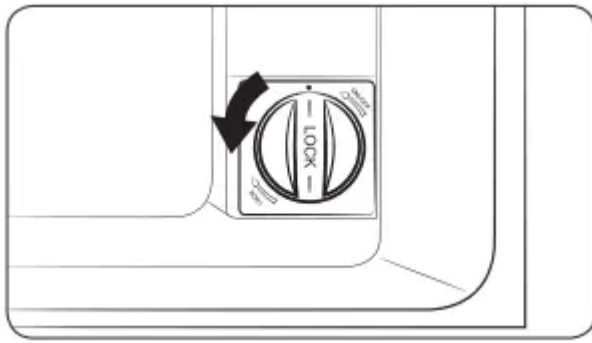
If the rubber door seals are dirty, the doors may not close properly, and the refrigerator will not operate efficiently. Keep the door seals free of grit or grime by cleaning the doors with a mild detergent and damp cloth. Wipe dry with a clean, soft cloth.

Changing the LED type lighting

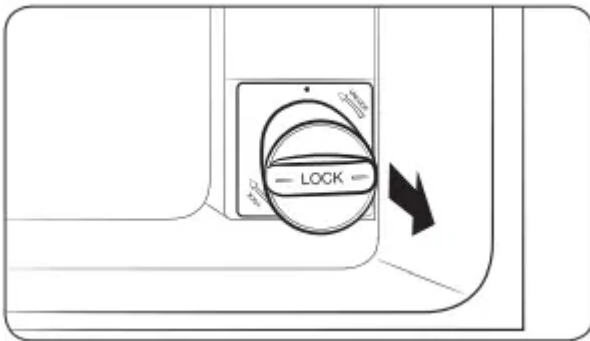
CAUTION: Do not disassemble or replace the LED type lighting. To change the LED type lighting, contact a Samsung service center.

Changing the water filter

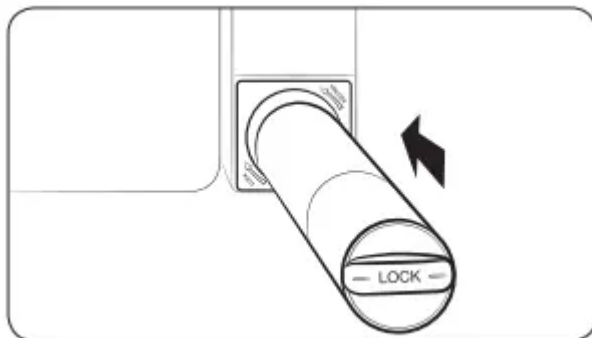
1. Turn the water filter 90° counterclockwise.



2. Pull the water filter out of the filter housing.



3. Insert a new water filter into the filter housing.

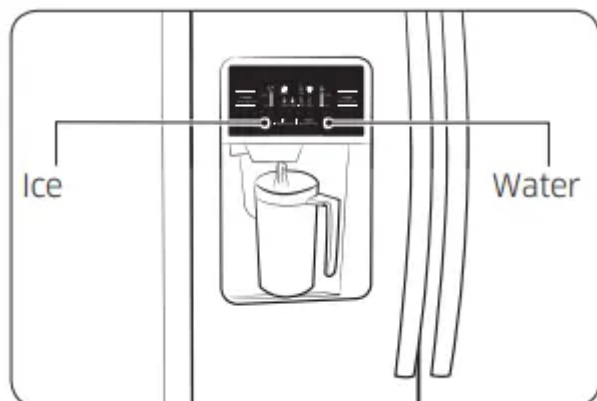


4. Turn the new water filter 90° clockwise.



5. Press and hold the Water button for 3 seconds after changing the filter to reset the filter indicator. Confirm the indicator turns blue. When you replace the water filter, some water may leak from the water filter housing. Make sure to wipe up any leakage that may have occurred.

Removing residual matter from inside the water supply line after installing a new filter



1. Turn ON the main water supply.
2. Press the Water button on the control panel. Place a cup or glass under the water outlet, and then push the cup or glass against the dispenser pad until you hear a “click”.
3. Flush 3 gallons of water through the filter. (Flush approximately 6 minutes.) This will clean the water supply system and remove air from the lines.
4. Additional flushing may be required in some households.
5. Open the refrigerator door and make sure there are no water leaks coming from the water filter.

Troubleshooting

The refrigerator does not work at all or it does not chill sufficiently.

- Confirm that the power plug is properly connected.
- Is the temperature control on the display panel set to the correct temperature? Try setting it to a lower temperature.
- Is the refrigerator in direct sunlight or located too near a heat source?
- Is the back of the refrigerator too close to the wall and therefore keeping air from circulating?
- Check if the Cooling Off Mode is on. If the Freezer/Fridge temperature indicator is moving, refer to page 40 to cancel the Cooling Off Mode.

The food in the fridge is frozen.

- Is the temperature control on the display panel set to the correct temperature? Try setting it to a warmer temperature.
- Is the temperature in the room very low?
- Did you store the food with a high water content in the coldest part of the fridge?

You hear unusual noise or sounds.

- Confirm that the refrigerator is level and stable.
- If the refrigerator's water supply line is not connected and water is not being supplied to the refrigerator, the refrigerator will make unusual noises if the ice maker is on or if you push the water dispenser lever. To stop the noises, press the Ice button for at least 3 seconds until the Ice Off icon lights indicating that the ice maker is off.
- You hear a ticking sound from inside the refrigerator. This is normal and occurs because various parts in the refrigerator's interior contract or expand in response to temperature changes.

The front corners of the appliance are hot and condensation is occurring.

- Some heat is normal as anti-condensators are installed in the front corners of the refrigerator to prevent condensation.
- Is the refrigerator door ajar? Condensation can occur when you leave the door open for a long time.

Ice is not dispensing.

- Did you wait for 12 hours after installation of the water supply line before making ice?
- Is the water line connected and the shut-off valve open?
- Did you manually stop the ice making function? Make sure Ice Type is set to Cubed or Crushed.
- Is there any ice clumped in the ice maker bucket?
- Is the freezer temperature too warm? Try setting the freezer temperature lower.

You can hear water bubbling in the refrigerator.

- This is normal. The bubbling comes from the refrigerant coolant liquid circulating through the refrigerator.

There is a bad smell in the refrigerator.

- Has a food item spoiled?
- Make sure that strong smelling food (for example, fish) is wrapped so that it is airtight.
- Clean out your freezer periodically and throw away any spoiled or suspect food.

Frost forms on the walls of the freezer.

- Is the air vent blocked? Remove any obstructions so air can circulate freely.
- Allow sufficient space between the foods stored for efficient air circulation.
- Is the freezer door closed properly?

Water dispenser is not functioning.

- Is the water line connected and the shut-off valve open?

- Has the water supply line tubing been crushed or kinked? Make sure the tubing is free and clear of any obstruction.
- Is the water tank frozen because the refrigerator temperature is too low? Try selecting a warmer setting on the main display panel.

Warning

This content is compiled from multiple sources and is provided for reference purposes only. It may not be complete or fully applicable to all situations. If you are unable to resolve your issue, please contact the product manufacturer or an authorized service provider for official support.