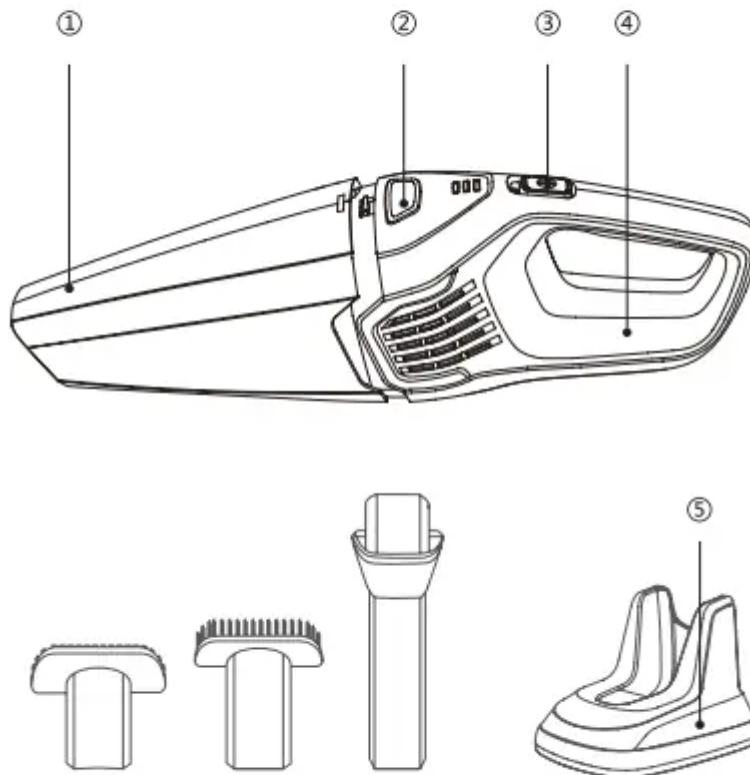


## PACKAGE CONTENTS

- Collection container
- Carrying handle
- Crevice nozzle
- Unlocking button
- Liquid nozzle
- Adaptor
- On / OFF switch
- Brush attachment
- Base/Holder for Charging



- ① Collection container
- ② Unlocking button
- ③ On/OFF switch
- ④ Carrying handle
- ⑤ Base/Holder for Charging

## SPECIFICATIONS

Rated Voltage: DC14.8V	Air Flow: 18L/S
Rated Power: 85-90W	Max Suction Power: 22W
Battery Type: Li-ion 2200mAh	Max Suction Efficiency: ≥26%
Charge Time: 3-5 hours	Noise: ≤78dB
Work Time by Full Energy: up to 30 mins	Usage Type: dry & wet
Battery Life: ≥500 cycle	Dust Capacity: ≥0.6
Max Power: 100W	Max Water Capacity: 100mL
Vacuum: ≥6.0KPA	Cleaning Efficiency: ≥96%

## OPERATION GUIDE

### Charge the battery

1. When charging the vacuum in the holder, please place the device in the holder with the collection container facing up.
2. If you do not use the holder to charge the vacuum, you can simply open the the bottom of holder to take out the plug by unscrewing the fasten screws, then use the plug to connect the vacuum with the power supply
3. The red indicator light shows that the vacuum is connected and is being charged. It takes approximate 3-5 hours to fully charge the vacuum. The indicator light will turn into green when it is being fully charged.

Caution! Only use the supplied adapter to charge your vacuum cleaner.

### ON / OFF

- Before each use you should empty the collection container and clean it.
- To switch the device on, move the ON/OFF switch forwards. The device begins working.
- In order to switch the device off move the ON/OFF switch backwards. The device will stop working when switches 0.

### VACUUM LIQUIDS

- Choose the required attachment nozzle and connect it to the suction opening of the vacuum cleaner.
- Turn the vacuum cleaner on and vacuum the spill.
- Please note: When cleaning liquid spills, the liquid does not exceed 100mL otherwise liquid may flow into the internal part of the engine, which can lead to damage.

- The collection container needs to be emptied after each use.

## **EMPTY THE VACUUM CLEANER**

- The collection container should be emptied and cleaned after each use.
- When cleaning the collection container, hold the vacuum cleaner in a vertical position with the intake mouth pointing down.
- Press the unlocking button and pull the dust container out gently.
- Empty the container, if you like, you may wash it with warm water and then dry it.
- Re-fit the filter into the dust container.
- If damaged, replace it with a new one.
- Then re-fit the collection container and place the vacuum in the holder.
- Wipe the outside of the vacuum cleaner with a dry cloth. DO NOT clean the unit with paint thinner or a chemical solution as this will damage the unit.

Caution! Clean the filter and the collection container with clear water, do not use soap or other cleaning agents. As there would damage the filter. After having emptied, cleaned and dried the collection container, you can reinsert the filter and the collection container, Keep pressing the unlocking button before the collection container being locked in right place.

### **Proceed in the reverse order as outlined below**

- Reinsert the filter into the collection container.
- Place the collection container on the motor unit again by inserting it first into the opening at the bottom, and then close it. Keep pressing the unlocking device.
- Until the collection container is locked in place.

### **Crevice nozzle**

- The crevice nozzle is suitable for cleaning fabric tucks, crevices and corners or other areas that are difficult to clean without the attachment.
- Connect the crevice nozzle by inserting the attachment into the suction opening of the vacuum, press firmly until you hear the click sound, which means it is being locked.

### **Brush attachment**

- You can use the brush attachment to clean books and other delicate objects such as picture frame, lampshade, and keyboard. Just install it to the opening of the collection container.

## **SPECIAL SAFETY INSTRUCTIONS**

1. Keep this vacuum cleaner away from heat sources, cigarette ends or burning ashes.
2. Always connect the power plug to socket with dry hands.
3. Before using the vacuum cleaner, please remove large or sharp objects from the floor so as not to damage the vacuum cleaner.
4. When disconnecting the power plug, firmly grasp the plug instead of pulling the cord.

## **CLEANING AND MAINTENANCE**

- Parts of the device can't be cleaned in the dishwasher.
- When cleaning the casing, switch the device off and disconnect the adaptor from the socket.
- If necessary, you can clean the casing, dust compartment and filter compartments of the vacuum cleaner, as well as the accessories with a damp cloth.
- Do not use abrasive cleaning agents (scouring agents, diluting agents), because they can damage the synthetic surface of the device.
- Connect the power plug of the adaptor only when you make sure that all parts of the vacuum cleaner are completely dry.

## **WARNINGS**

### **Installation**

- Never use the appliance without the filter.
- It is very important that the filter is correctly in position before use. Place filters back into the bowl pressing firmly to ensure a secure fit.

### **Power System**

- To reduce the risk of electric shock, fire and/or serious injury, basic precautions should always be followed.
- Use only manufacturer's recommended attachments.

### **Power Cord**

- Do not use with damaged cord or plug. If appliance is not working as it should, has been dropped, damaged, left outdoors, or dropped into water, return it to a service center.
- Do not pull or carry by cord, use cord as a handle, close a door on cord, or pull cord around sharp edges or corners.

- Do not run appliance over cord. Keep cord away from heated surfaces.
- Do not unplug by pulling on cord. To unplug, grasp the plug, not the cord.
- Do not allow the cord to hang over the edge of a table or counter or touch hot surfaces. The unit should be placed or mounted away from sinks and hot surfaces.

## Using

- Unplug the charger from outlet before any routine cleaning or maintenance.
- Do not put any object into openings. Do not use with any opening blocked; keep free of dust, lint, hair, and anything that may reduce air flow.
- Keep hair, loose clothing, fingers, and all parts of body away from openings and moving parts.
- Do not use to pick up flammable or combustible liquids, such as gasoline, or use in areas where they may be present.
- Do not look into the air vents when the unit is switched on, as sometimes there is a possibility of small debris being discharged from the air vents, especially after cleaning/ replacement of the filters as debris inside the unit can be disturbed.

### Warning

This content is compiled from multiple sources and is provided for reference purposes only. It may not be complete or fully applicable to all situations. If you are unable to resolve your issue, please contact the product manufacturer or an authorized service provider for official support.