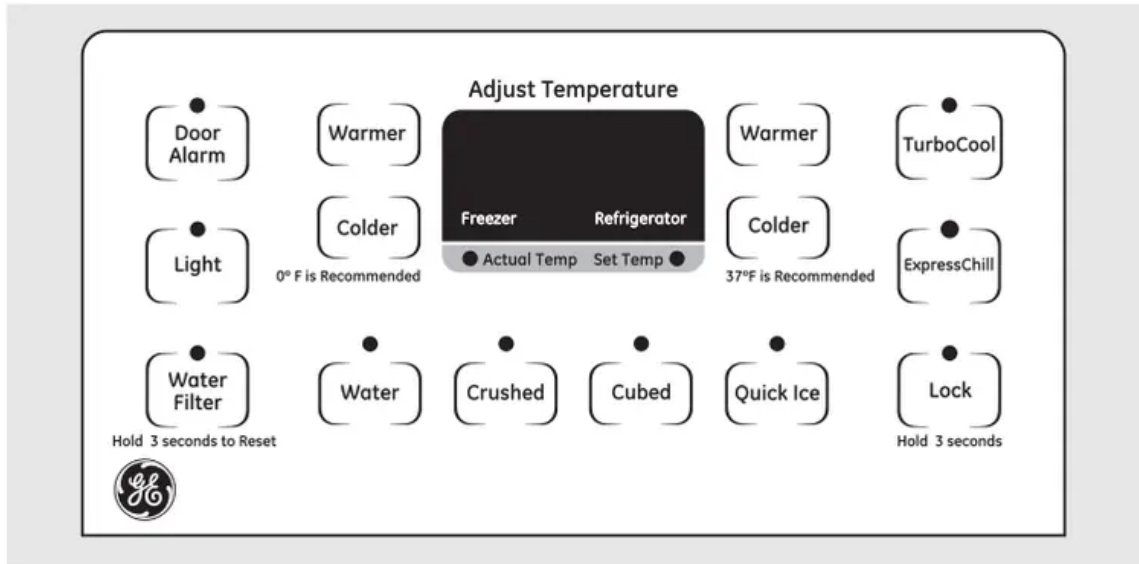


Operating Instructions

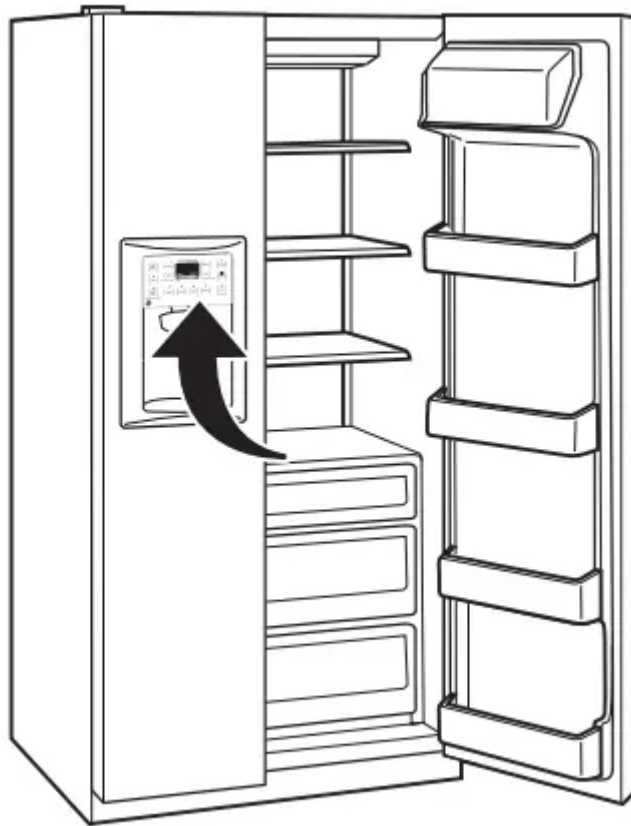
About the temperature controls.



The temperature controls are preset in the factory at 37°F for the refrigerator compartment and 0°F for the freezer compartment.

Allow 24 hours for the temperature to stabilize to the preset recommended settings. The temperature controls can display both the SET temperature as well as the actual temperature in the refrigerator and freezer. The actual temperature may vary slightly from the SET temperature based on usage and operating environment. Setting either or both controls to OFF stops cooling in both the freezer and refrigerator compartments, but does not shut off electrical power to the refrigerator.

NOTE: The refrigerator is shipped with protective film covering the temperature controls. If this film was not removed during installation, remove it now.



About TurboCool.™

• How it Works

TurboCool rapidly cools the refrigerator compartment in order to more quickly cool foods. Use TurboCool when adding a large amount of food to the refrigerator compartment, putting away foods after they have been sitting out at room temperature or when putting away warm leftovers.

It can also be used if the refrigerator has been without power for an extended period. Once activated, the compressor will turn on immediately and the fans will cycle on and off at high speed as needed for eight hours. The compressor will continue to run until the refrigerator compartment cools to approximately 34°F (1°C), then it will cycle on and off to maintain this setting. After 8 hours, or if TurboCool is pressed again, the refrigerator compartment will return to the original setting.

• How to Use

Press TurboCool. The refrigerator temperature display will show Tc and the LED will be activated. After TurboCool is complete, the refrigerator compartment will return to the original setting.

NOTES: The refrigerator temperature cannot be changed during TurboCool. The freezer temperature is not affected during TurboCool. When opening the refrigerator door during TurboCool, the fans will continue to run if they have cycled on.

About the water filter.

- **Water Filter Cartridge**

The water filter cartridge is located in the back upper right corner of the refrigerator compartment.

- **When to Replace the Filter on Models With a Replacement Indicator Light**

There is a replacement indicator light for the water filter cartridge on the dispenser. This light will turn orange to tell you that you need to replace the filter soon. The filter cartridge should be replaced when the replacement indicator light turns red or if the flow of water to the dispenser or icemaker decreases.

- **When to Replace the Filter on Models Without a Replacement Indicator Light**

The filter cartridge should be replaced every six months or earlier if the flow of water to the water dispenser or icemaker decreases.

- **Removing the Filter Cartridge**

If you are replacing the cartridge, first remove the old one by slowly turning it to the left. Do not pull down on the cartridge. A small amount of water may drip down.

- **Installing the Filter Cartridge**

If you are replacing a SmartWater cartridge with an adapter, it must be removed before installing the cartridge. To remove the adapter, turn it to the left about 1/4 turn. If you are replacing a Water by Culligan cartridge, leave the adapter in place. This adapter will stay in the refrigerator when you replace future cartridges.

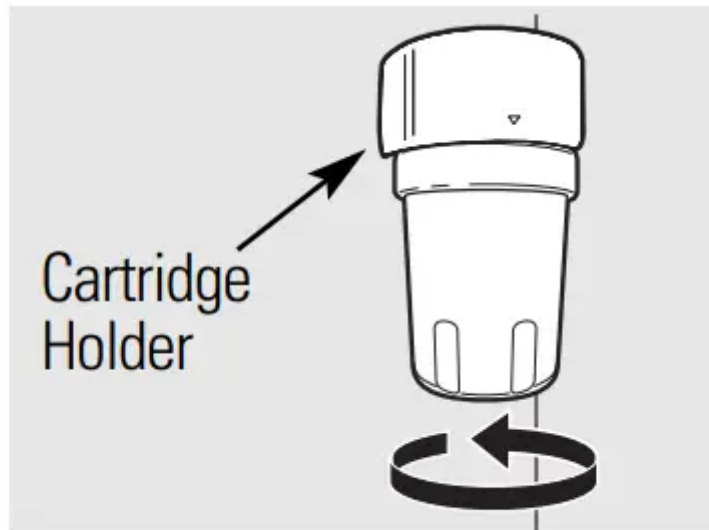


On models without a replacement indicator light, apply the month and year sticker to the new cartridge to remind you to replace the filter in six months.

Fill the replacement cartridge with water from the tap to allow for better flow from the dispenser immediately after installation.

Line up the arrow on the cartridge and the cartridge holder. Place the top of the new cartridge up inside the holder. Do not push it up into the holder.

Slowly turn it to the right until the filter cartridge stops. **DO NOT OVERTIGHTEN**. As you turn the cartridge, it will automatically raise itself into position. The cartridge will move about 1/2 turn.



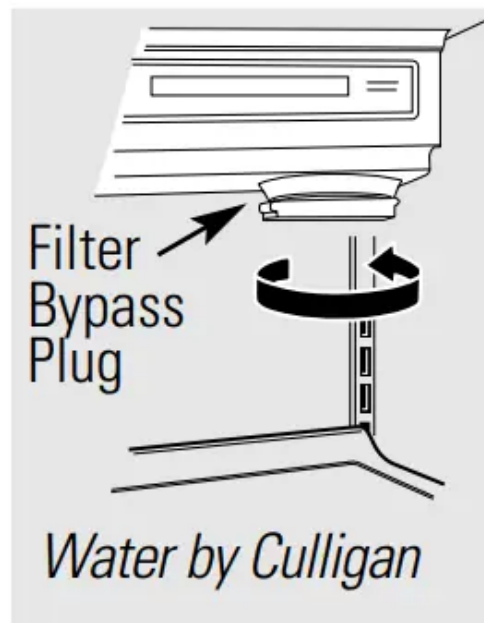
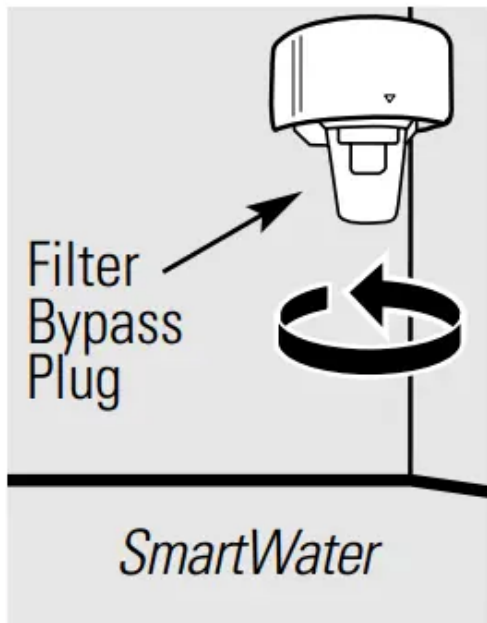
Run water from the dispenser for 3 minutes (about 1-1/2 gallons) to clear the system and prevent sputtering. Press and hold the WATER FILTER pad (on some models) on the dispenser for 3 seconds.



NOTE: A newly-installed water filter cartridge may cause water to spurt from the dispenser.

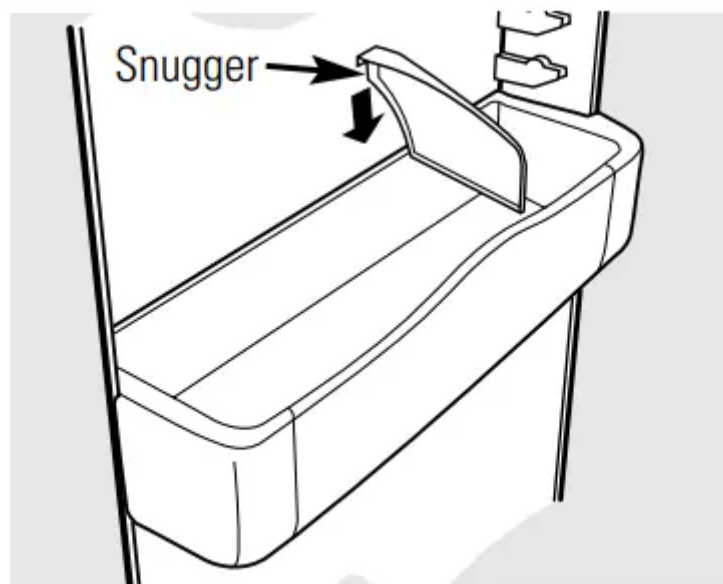
- **Filter Bypass Plug**

You must use the filter bypass plug when a replacement filter cartridge is not available. The dispenser and the icemaker will not operate without the filter or filter bypass plug



To use the filter bypass plug on Water by Culligan models, you must first remove the filter adapter from the cartridge holder by turning it to the left. If you have questions—visit our Website at ge.com, or call 1.800.GE.CARES (1.800.432.2737).

About the shelves and bins.



Refrigerator bin

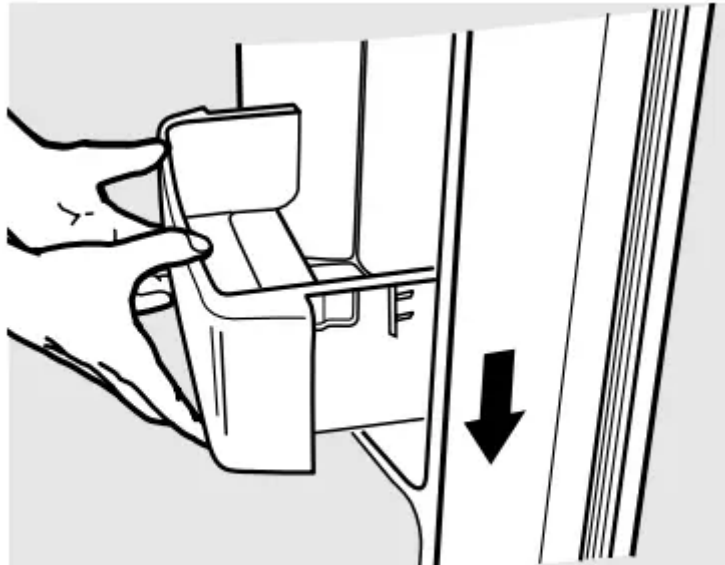
• **Refrigerator Door Bins**

The refrigerator door bins are adjustable. **To remove:** Lift the front of the bin straight up, then lift up and out.

To replace or relocate: Engage the back side of the bin in the molded supports of the door. Then push down on the front of the bin. Bin will lock in place. \



The snigger helps prevent tipping, spilling or sliding of small items stored on the door shelf. Place a finger on either side of the snigger near the rear and move it back and forth to fit your needs

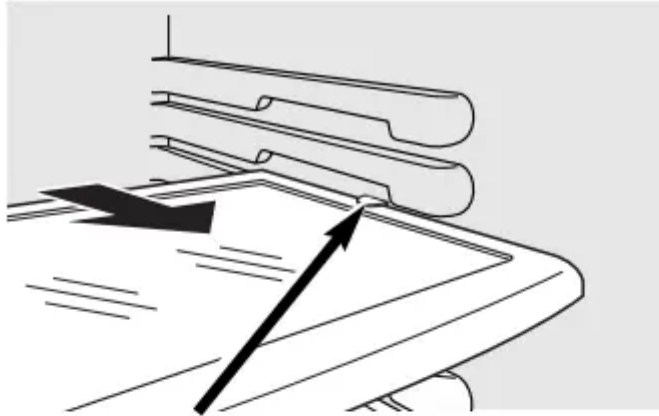


- **Deep Door Shelves**

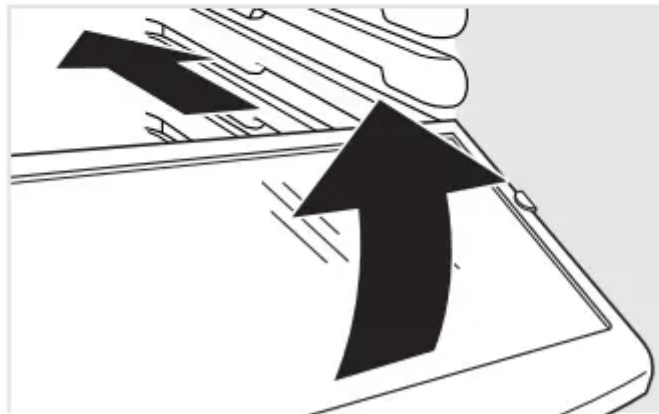
Detachable shelf extenders deepen and enclose fixed door shelves, providing more storage room and greater storage flexibility.

To remove: Lift the shelf extender straight up then pull out.

To replace: Engage the shelf extender in the molded supports on the door and push in. It will lock in place.



Press tab and pull shelf forward to remove

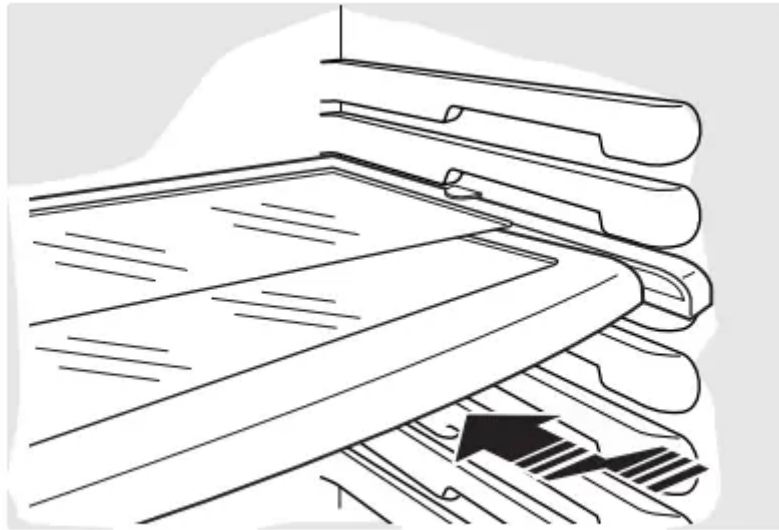


- **Slide-Out Spillproof Shelf**

The slide-out spillproof shelf allows you to reach items stored behind others. The special edges are designed to help prevent spills from dripping to lower shelves.

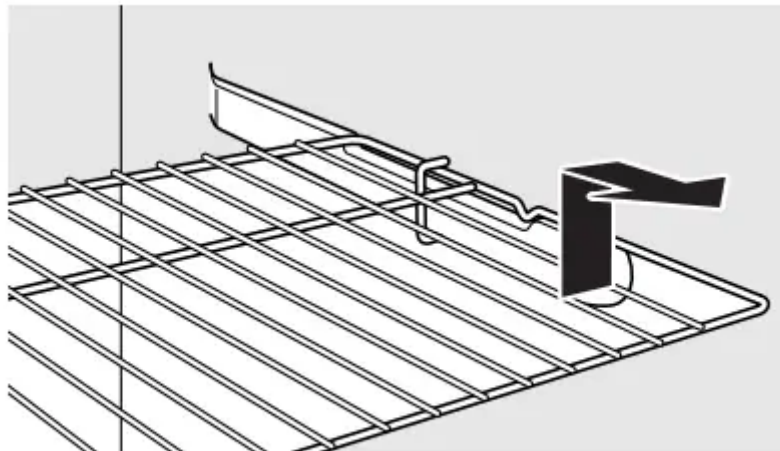
To remove: Slide the shelf out until it reaches the stop, then press down on the tab and slide the shelf straight out.

To replace or relocate: Line the shelf up with the supports and slide it into place. The shelf can be repositioned when the door is at 90° or more. To reposition the shelf, slide the shelf past the stops and angle downward. Slide shelf down to the desired position, line up with the supports and slide into place. Make sure you push the shelves all the way back in before you close the door.



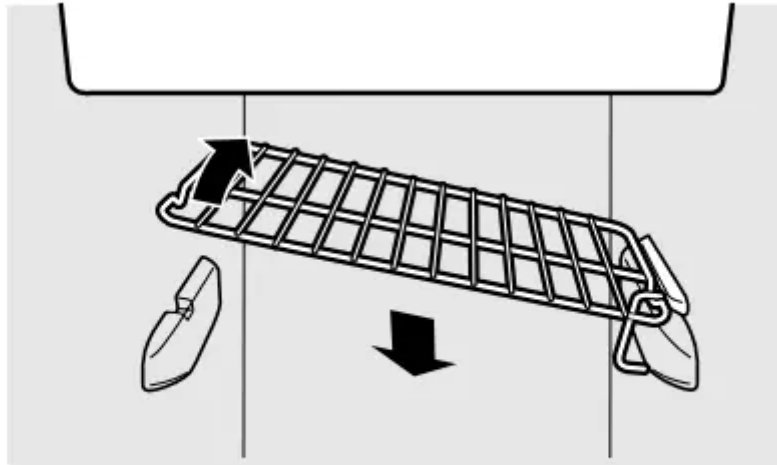
- **QuickSpace™ Shelf**

This shelf splits in half and slides under itself for storage of tall items on the shelf below. This shelf can be removed and replaced or relocated just like Slide-Out Spillproof Shelves. On some models, this shelf can not be used in the lowest position.



- **Slide-Out Freezer Shelves**

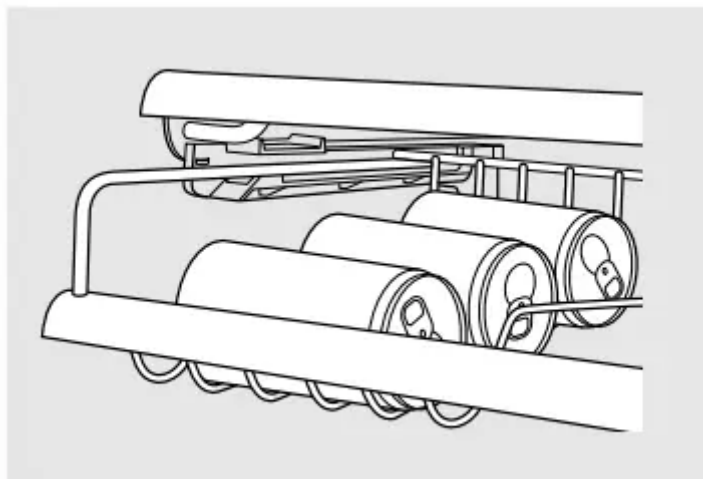
To remove, slide out to the stop position, lift the front past the stop position, and slide out. Make sure you push the shelves all the way back in before you close the door



- **Fixed Freezer Shelves**

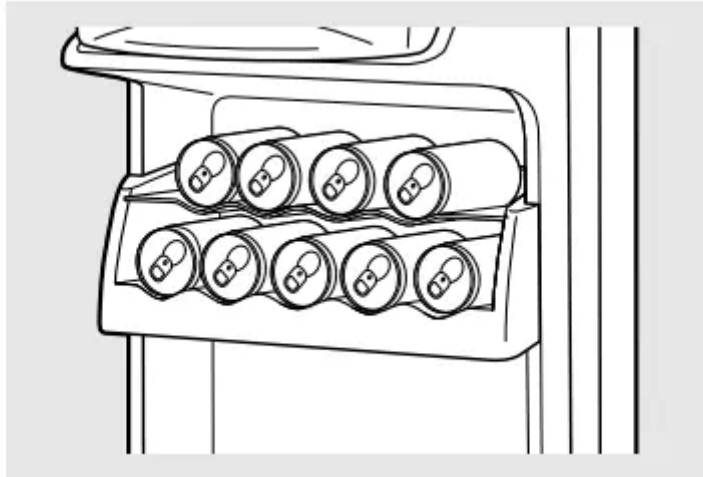
To remove, lift the shelf up at the left side and then bring the shelf out.

About the additional features



ShelfSaver™ Rack (on some models)

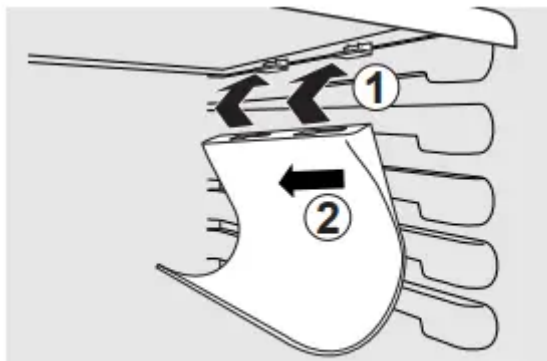
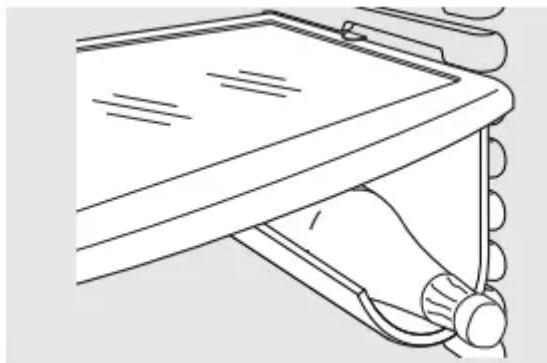
Use this rack to store beverage cans for easy access. It can also hold a 9" x 13" baking dish.



Door Can Rack (on some models)

This door rack holds up to 9 cans.

NOTE: This rack can only be mounted in the top position under the dairy bin.



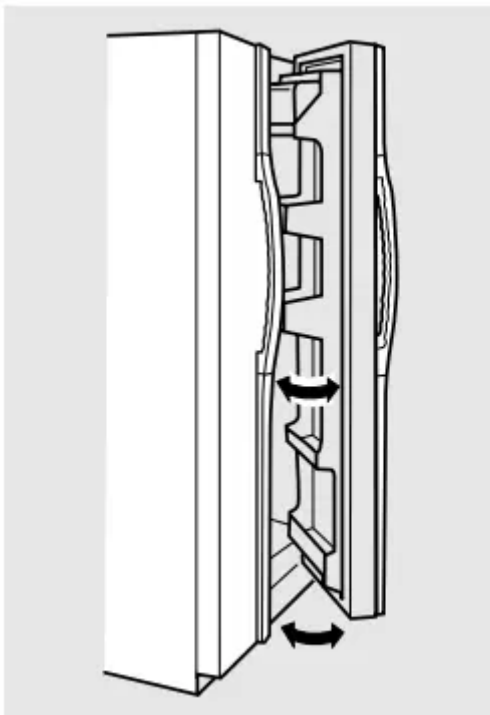
Removable Beverage Rack

The beverage rack is designed to hold a bottle on its side. It can be attached to any slide-out shelf.

To install:

1. Line up the large part of the slots on the top of the rack with the tabs under the shelf.
2. Then slide the rack back to lock it in place

About the refrigerator doors

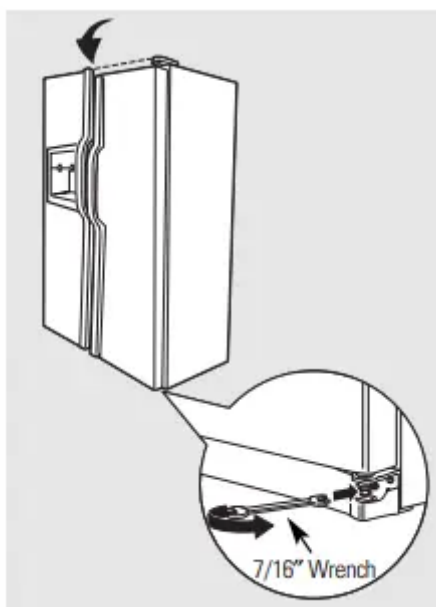


Refrigerator Doors

The refrigerator doors may feel different than the ones you are used to. The special door opening/closing feature makes sure the doors close all the way and are securely sealed.

When opening and closing the door you will notice a stop position. If the door is opened past this stop point, the door will remain open to allow you to load and unload food more easily. When the door is only partially open, it will automatically close.

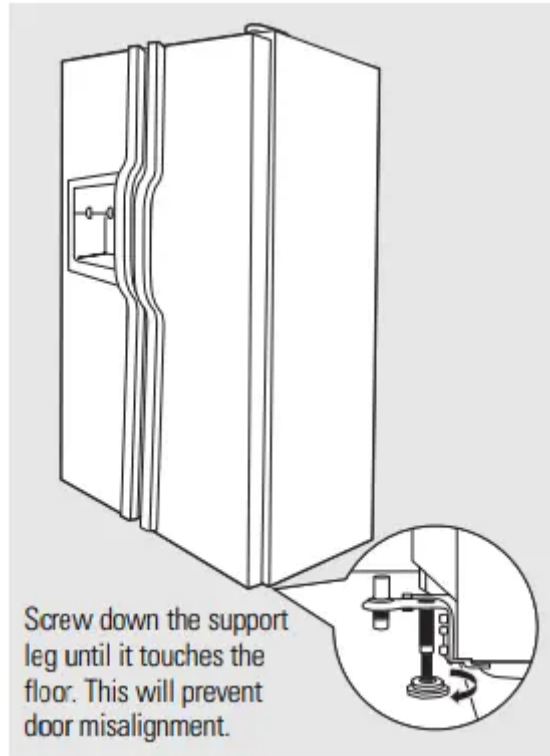
The resistance you feel at the stop position will be reduced as the door is loaded with food.



Door Alignment

If doors are uneven, adjust the refrigerator door.

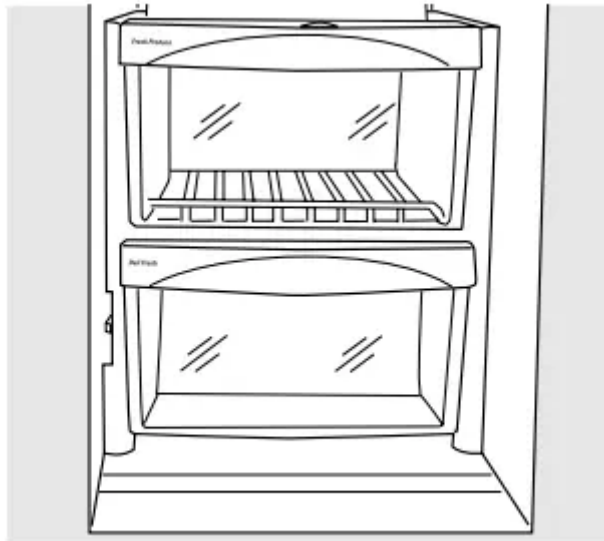
1. Using a $7/16$ " socket wrench, turn the door adjusting screw to the right to raise the door; to the left, to lower it. (A nylon plug, imbedded in the threads of the pin, prevents the pin from turning unless a wrench is used.)
2. After one or two turns of the wrench, open and close the refrigerator door and check the alignment at the top of the doors.



Support Leg

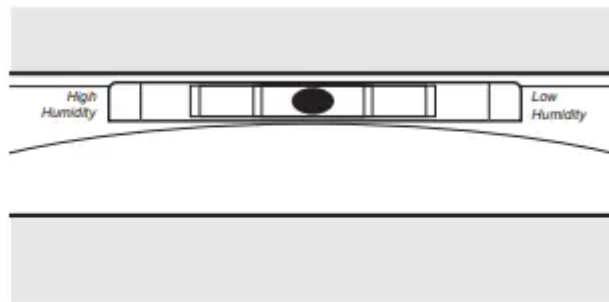
Before moving the refrigerator, you will need to screw up the support leg. Once the unit is relocated, you will need to screw down the support leg again.

About the crispers and pans



Fruit and Vegetable Crispers

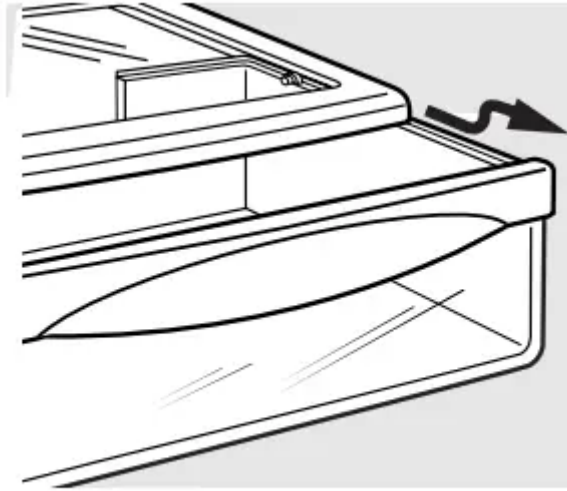
Excess water that may accumulate in the bottom of the drawers should be wiped dry.



Adjustable Humidity Crispers

Slide the control all the way to the HI setting to provide high humidity recommended for most vegetables. Slide the control all the way to the LO setting to provide lower humidity levels recommended for most fruits

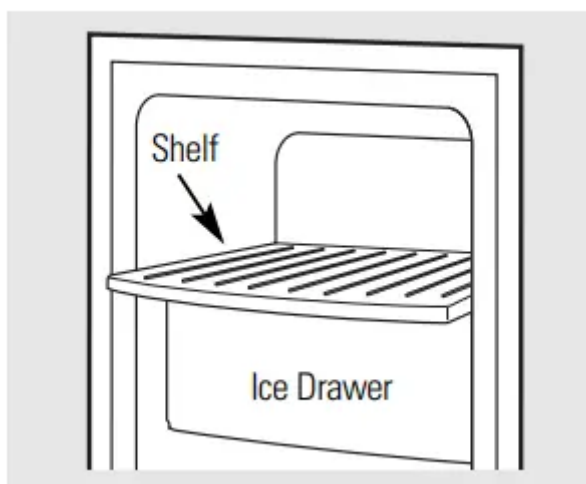
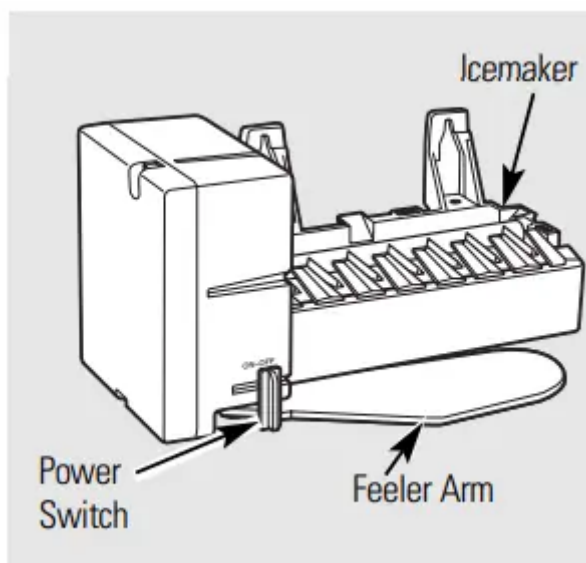
About crisper removal



Crisper Removal

Crispers can easily be removed by pulling the drawer straight out and lifting the drawer up and over the stop location. If the door prevents you from taking out the drawers, first try to remove the door bins. If this does not offer enough clearance, the refrigerator will need to be rolled forward until the door opens enough to slide the drawers out. In some cases, when you roll the refrigerator out, you will need to move the refrigerator to the left or right as you roll it out.

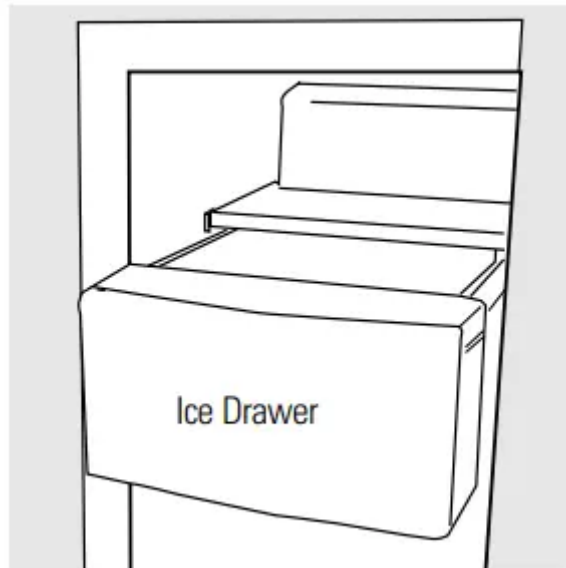
About the automatic icemaker



Automatic Icemaker

The icemaker will produce seven cubes per cycle—approximately 100–130 cubes in a 24-hour period, depending on freezer compartment temperature, room temperature, number of door openings and other use conditions. If the refrigerator is operated before the water connection is made to the icemaker, set the power switch in the OFF position. When the refrigerator has been connected to the water supply, set the power switch to the ON position. The icemaker will fill with water when it cools to 15°F (–10°C). A newly-installed refrigerator may take 12 to 24 hours to begin making ice cubes.

Throw away the first few batches of ice to allow the water line to clear. Be sure nothing interferes with the sweep of the feeler arm. When the bin fills to the level of the feeler arm, the icemaker will stop producing ice. It is normal for several cubes to be joined together. If ice is not used frequently, old ice cubes will become cloudy, taste stale and shrink.



Ice Storage Drawer

To access ice, pull the drawer forward. To remove the drawer, pull it straight out and lift it past the stop location

About the ice and water dispenser

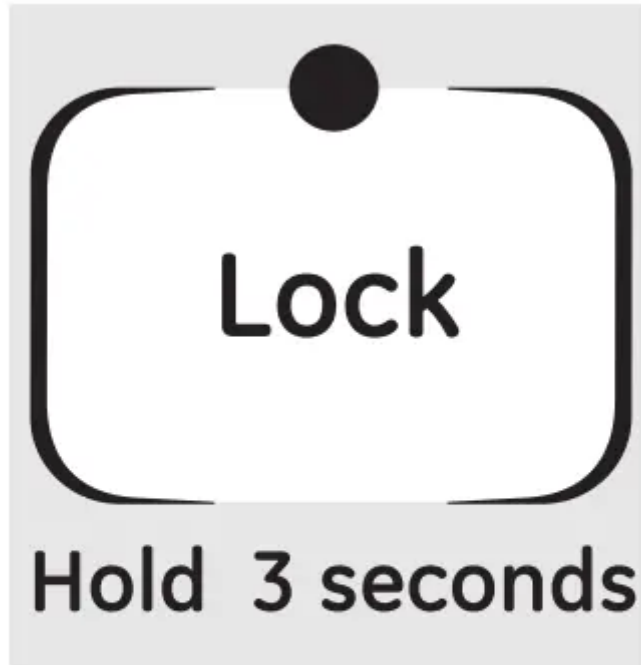


To Use the Dispenser

Select CUBED ICE , CRUSHED ICE or WATER . Press the glass gently against the top of the dispenser cradle. The spill shelf is not self-draining. To reduce water spotting, the shelf and its grille should be cleaned regularly. If no water is dispensed when the refrigerator is first installed, there may be air in the water line system. Press the dispenser arm for at least

two minutes to remove trapped air from the water line and to fill the water system. To flush out impurities in the water line, throw away the first six glassfuls of water.

CAUTION: Never put fingers or any other objects into the ice crusher discharge opening.
Locking the Dispenser



Press the LOCK pad for 3 seconds to lock the dispenser and control panel. To unlock, press and hold the pad again for 3 seconds.

Dispenser Light



This pad turns the night light in the dispenser on and off. The light also comes on when the dispenser cradle is pressed. If this light burns out, it should be replaced with a 6 watt 12 V maximum bulb

Quick Ice



When you need ice in a hurry, press this pad to speed up ice production. This will increase ice production for the following 48 hours or until you press the pad again.

Door Alarm

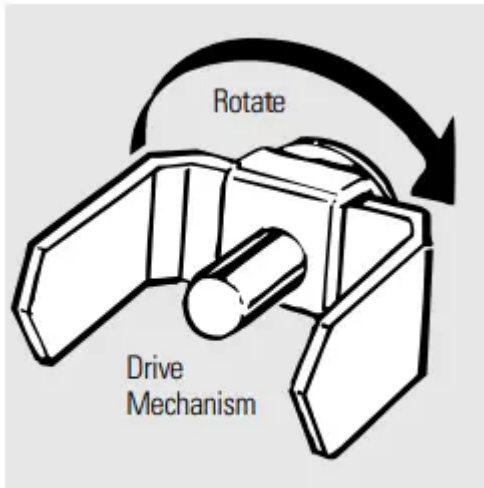
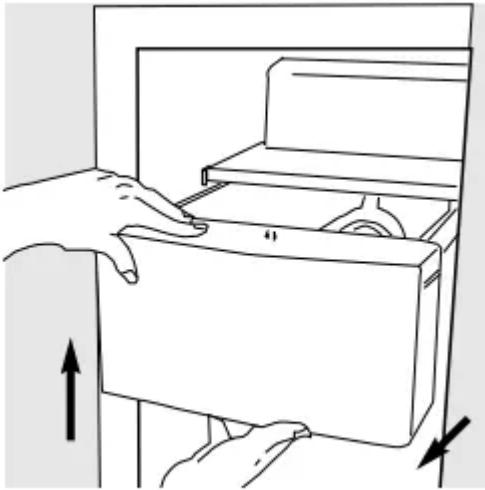


To set the alarm, press this pad until the indicator light comes on. This alarm will sound if either door is open for more than 3 minutes. The light goes out and the beeping stops when you close the door.

Important Facts About Your Dispenser

- Do not add ice from trays or bags to the storage drawer. It may not crush or dispense well.
- Avoid overfilling glass with ice and use of narrow glasses. Backed-up ice can jam the chute or cause the door in the chute to freeze shut. If ice is blocking the chute, poke it through with a wooden spoon.
- Beverages and foods should not be quick-chilled in the ice storage drawer. Cans, bottles or food packages in the storage drawer may cause the icemaker or auger to jam.
- To keep dispensed ice from missing the glass, put the glass close to, but not touching, the dispenser opening.
- Some crushed ice may be dispensed even though you selected CUBED ICE. This happens occasionally when a few cubes accidentally get directed to the crusher.
- After crushed ice is dispensed, some water may drip from the chute.
- Sometimes a small mound of snow will form on the door in the ice chute. This condition is normal and usually occurs when you have dispensed crushed ice repeatedly. The snow will eventually evaporate.

About the ice and water dispenser.

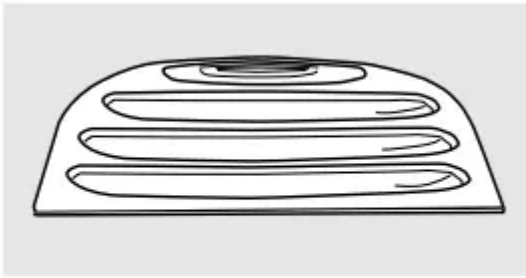


Ice Storage Drawer on Dispenser Models

To remove: Set the icemaker power switch to the OFF position. Pull the drawer straight out and then lift past the stop position.

To replace: When replacing the drawer, be sure to press it firmly into place. If it does not go all the way back, remove it and rotate the drive mechanism 1/4 turn. Then push the drawer back again.

Care and cleaning of the refrigerator.



Dispenser drip area.

Cleaning the Outside

The dispenser drip area, (on some models) beneath the grille, should be wiped dry. Water left in this area may leave deposits. Remove the deposits by adding undiluted vinegar to the well. Soak until the deposits disappear or become loose enough to rinse away.

The dispenser cradle (on some models). Before cleaning, lock the dispenser by pressing and holding the LOCK pad for 3 seconds. Clean with warm water and baking soda solution—about a tablespoon (15 ml) of baking soda to a quart (1 liter) of water. Rinse thoroughly and wipe dry.

The door handles and trim. Clean with a cloth dampened with soapy water. Dry with a soft cloth.

The stainless steel panels and door handles (on some models) can be cleaned with a commercially available stainless steel cleaner such as Stainless Steel Magic.™ Stainless Steel Magic is available at Ace, True Value, Servistar, HWI and other leading stores. It is also available through GE Parts and Accessories, 800.626.2002. Order part number WX10X15. Do not use appliance wax or polish on the stainless steel.

Keep the outside clean. Wipe with a clean cloth lightly dampened with kitchen appliance wax or mild liquid dish detergent. Dry and polish with a clean, soft cloth. Do not wipe the refrigerator with a soiled dish cloth or wet towel. These may leave a residue that can erode the paint. Do not use scouring pads, powdered cleaners, bleach or cleaners containing bleach because these products can scratch and weaken the paint finish.

Cleaning the Inside

To help prevent odors, leave an open box of baking soda in the fresh food and freezer compartments.

Unplug the refrigerator before cleaning. If this is not practical, wring excess moisture out of sponge or cloth when cleaning around switches, lights or controls. Use warm water and baking soda solution— about a tablespoon (15 ml) of baking soda to a quart (1 liter) of water. This both cleans and neutralizes odors. Rinse and wipe dry.

Use of any cleaning solution other than that which is recommended, especially those that contain petroleum distillates, can crack or damage the interior of the refrigerator.

Avoid cleaning cold glass shelves with hot water because the extreme temperature difference may cause them to break. Handle glass shelves carefully. Bumping tempered glass can cause it to shatter. Do not wash any plastic refrigerator parts in the dishwasher

Behind the Refrigerator

Be careful when moving the refrigerator away from the wall. All types of floor coverings can be damaged, particularly cushioned coverings and those with embossed surfaces. Pull the refrigerator straight out and return it to position by pushing it straight in. Moving the refrigerator in a side direction may result in damage to the floor covering or refrigerator. When pushing the refrigerator back, make sure you don't roll over the power cord or icemaker supply line (on some models).

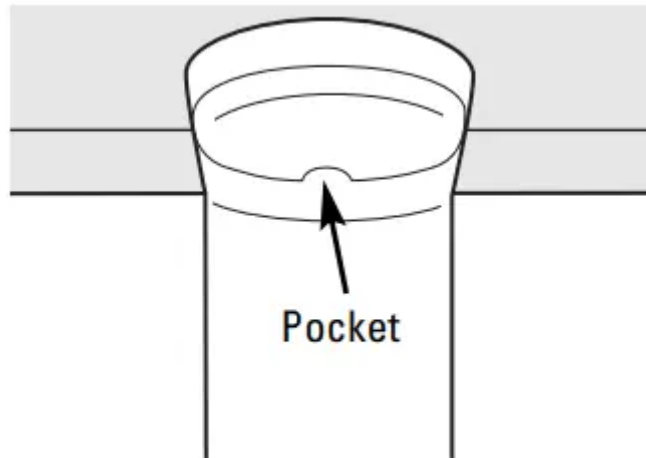
Preparing for Vacation

For long vacations or absences, remove food and unplug the refrigerator. Clean the interior with a baking soda solution of one tablespoon (15 ml) of baking soda to one quart (1 liter) of water. Leave the doors open. Set the icemaker power switch to the OFF position and shut off the water supply to the refrigerator. If the temperature can drop below freezing, have a qualified servicer drain the water supply system (on some models) to prevent serious property damage due to flooding

Preparing to Move

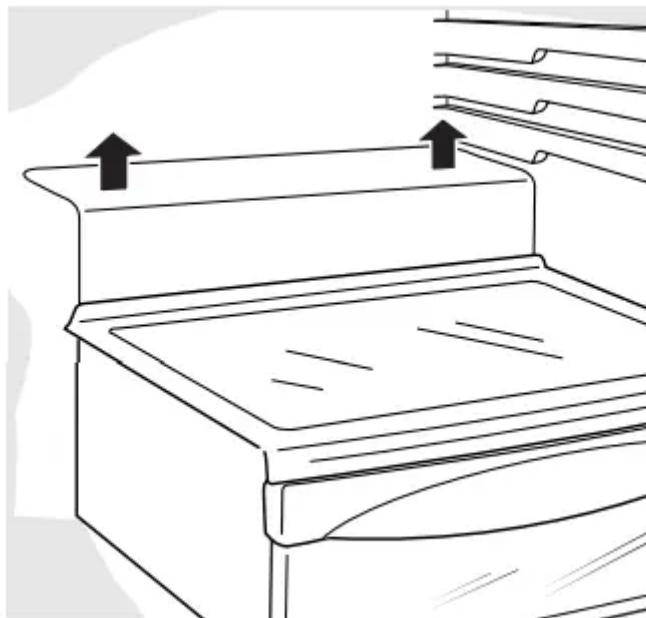
Secure all loose items such as shelves and drawers by taping them securely in place to prevent damage. When using a hand truck to move the refrigerator, do not rest the front or back of the refrigerator against the hand truck. This could damage the refrigerator. Handle only from the sides of the refrigerator. Be sure the refrigerator stays in an upright position during moving

Replacing the light bulbs.



Refrigerator Compartment—Upper Light

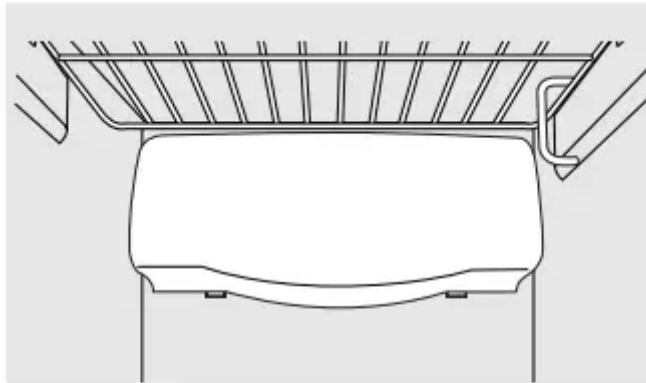
1. Unplug the refrigerator.
2. The bulb is located at the top of the compartment, inside the dome light shield. To remove the shield, place your finger in the pocket at the back of the shield. Pull the shield forward and down.
3. After replacing the bulb with an appliance bulb of the same or lower wattage, replace the light shield.
4. Plug the refrigerator back in



Refrigerator Compartment—Lower Light

1. This light is located above the top drawer. Unplug the refrigerator.
2. Lift the light shield up and pull it out.

3. After replacing the bulb with an appliance bulb of the same or lower wattage, replace the shield.
4. Plug the refrigerator back in



Freezer Compartment

1. Unplug the refrigerator.
2. Remove the shelf just above the light shield. (The shelf will be easier to remove if it is emptied first.) On some models, a screw at the top of the light shield will need to be removed.
3. To remove the light shield, press in on the sides, and lift up and out. On some models, lift the light shield up and pull it out.
4. Replace the bulb with an appliance bulb of the same or lower wattage, and reinstall the light shield. When reinstalling the light shield, make sure the top tabs snap securely into place. Replace the screw (on some models).
5. Reinstall the shelf and plug the refrigerator back in

Dispenser

1. Unplug the refrigerator.
2. The bulb is located on the dispenser under the control panel.
3. Remove the light bulb by turning it counterclockwise. Replace the bulb with a bulb of the same size and wattage.
4. Plug the refrigerator back in.

Troubleshooting Tips

Problem	Possible Causes	What To Do
<p>Refrigerator does not operate</p>	<p>Refrigerator in defrost cycle</p> <p>Either or both controls set to OFF.</p> <p>Refrigerator is unplugged.</p> <p>The fuse is blown/circuit breaker is tripped.</p> <p>Refrigerator is in the showroom</p>	<ul style="list-style-type: none"> •Wait about 30 minutes for defrost cycle to end. •Set the controls to a temperature setting •Push the plug completely into the outlet. •Replace fuse or reset the breaker. •Unplug the refrigerator and plug it back in.
<p>Vibration or rattling Rollers need adjusting.</p>	<p>Rollers need adjusting.</p>	<ul style="list-style-type: none"> •See Rollers.
<p>Motor operates for long periods or cycles.on and off frequently (Modern refrigerators with more storage space and a larger freezer require more operating time. They start and stop often to maintain even set at the coldest temperatures.)</p>	<p>Normal when refrigerator is first plugged in.</p> <p>Often occurs when large amounts of food are with more storage placed in refrigerator.</p> <p>Door left open.</p> <p>Hot weather or frequent door left open</p> <p>Temperature controls set at the coldest setting.</p>	<ul style="list-style-type: none"> •Wait 24 hours for the refrigerator to completely cool down •This is normal. •Check to see if package is holding door open. •This is normal. •See About the controls.



<p>Refrigerator or freezer compartment too warm</p>	<p>Temperature control not set cold enough</p> <p>Warm weather or frequent door openings</p> <p>Door left open.</p>	<ul style="list-style-type: none"> •See About the controls. •Set the temperature control one step colder. See About the controls. •Check to see if package is holding door open. •Check to see if package is holding door open.
<p>Frost or ice crystals on frozen food (frost within package door openings. is normal)</p>	<p>Door left open.</p> <p>Too frequent or too long door openings</p>	<ul style="list-style-type: none"> •Check to see if package is holding door open
<p>Divider between refrigerator and freezer compartments feels warm</p>	<p>Automatic energy saver system circulates warm liquid around front edge of freezer compartment</p>	<ul style="list-style-type: none"> •This helps prevent condensation on the outside.
<p>Automatic icemaker does not work</p>	<p>Icemaker power switch is in the OFF position</p> <p>Water supply turned off or not connected</p> <p>Freezer compartment too warm</p> <p>Piled up cubes in the storage bin cause the icemaker to shut off</p> <p>ice cubes stuck in icemaker</p>	<ul style="list-style-type: none"> •This helps prevent condensation on the outside •Set the power switch to the ON position. •See Installing the water line. •Wait 24 hours for the refrigerator to completely cool down. •Level cubes by hand.



		<ul style="list-style-type: none"> •Turn off the icemaker, remove cubes and turn the icemaker back on.
Ice cubes have odor/taste	<p>Ice storage bin needs cleaning.</p> <p>Food transmitting odor/ taste to ice cubes</p> <p>Interior of refrigerator needs cleaning.</p>	<ul style="list-style-type: none"> •Empty and wash bin. Discard old cubes. •Wrap foods well. •See Care and cleaning.
Small or hollow cubes	Water filter clogged.	<ul style="list-style-type: none"> •Replace filter cartridge with new cartridge or with plug.
Slow ice cube freezing	<p>Door left open.</p> <p>Temperature control not set cold enough.</p>	<ul style="list-style-type: none"> •Check to see if package is holding door open. •See About the controls.
Orange glow in the freezer	Defrost heater is on.	<ul style="list-style-type: none"> •This is normal.
Cube dispenser does not work(on some models)	<p>Icemaker turned off or water supply turned off.</p> <p>Ice cubes are frozen to icemaker feeler arm.</p> <p>Irregular ice clumps in storage container.</p> <p>Dispenser is LOCKED.</p>	<ul style="list-style-type: none"> •Turn on icemaker or water supply. •Remove cubes •Break up with fingertip pressure and discard remaining clumps. •Freezer may be too warm. Adjust the freezer control to a colder setting, one position at a



		<p>time, until clumps do not form..</p> <ul style="list-style-type: none"> •Press and hold the LOCK pad for 3 seconds
<p>Water has poor taste/odor(on some models)</p>	<p>Water dispenser has not been used for a long time</p>	<ul style="list-style-type: none"> •Dispense water until all water in system is replenished
<p>Water in first glass is warm (on some models)</p>	<p>Normal when refrigerator is first installed.</p> <p>Water dispenser has not been used for a long time.</p> <p>Water system has been drained.</p>	<ul style="list-style-type: none"> •Wait 24 hours for the refrigerator to completely cool down. •Dispense water until all water in system is replenished. •Allow several hours for replenished supply to chill.
<p>Water dispenser does not work (on some models)</p>	<p>Water supply line turned off or not connected.</p> <p>Water filter clogged.</p> <p>Air may be trapped in the water system.</p> <p>Dispenser is LOCKED.</p>	<ul style="list-style-type: none"> •See Installing the water line •Replace filter cartridge or remove filter and install plug •Press the dispenser arm for at least two minutes. •Press and hold the LOCK pad for 3 seconds.
		<ul style="list-style-type: none"> •Run water from the dispenser for 3

<p>Water spurting from dispenser (on some models)</p>	<p>Newly-installed filter cartridge.</p>	<p>minutes (about one and a half gallons).</p>
<p>Water is not dispensed (on some models) but icemaker is working</p>	<p>Water in reservoir is frozen. Refrigerator control setting is too cold.</p>	<ul style="list-style-type: none"> •Call for service. •Set to a warmer setting.
<p>No water or ice cube production</p>	<p>Supply line or shutoff valve is clogged. Water filter clogged. Dispenser is LOCKED</p>	<ul style="list-style-type: none"> •Call a plumber. •Replace filter cartridge or remove filter and install plug •Press and hold the LOCK pad for 3 seconds.
<p>CUBED ICE was selected but CRUSHED ICE was dispensed (on some models)</p>	<p>Last setting was CRUSHED ICE.</p>	<p>•A few cubes were left in the crusher from the previous setting. This is normal.</p>
<p>Refrigerator has odor</p>	<p>Foods transmitting odor to refrigerator. Interior needs cleaning.</p>	<ul style="list-style-type: none"> •Foods with strong odors should be tightly wrapped •Keep an open box of baking soda in the refrigerator; replace every three months. •See Care and cleaning.
<p>Moisture forms on outside of refrigerator</p>	<p>Not unusual during periods of high humidity.</p>	<ul style="list-style-type: none"> •Wipe surface dry.



Moisture collects inside (in humid weather, air carries moisture into refrigerator when doors are opened)	Too frequent or too long door openings.	
Interior light does not work	No power at outlet. Light bulb burned out.	<ul style="list-style-type: none"> •Replace fuse or reset the breaker •See Replacing the light bulbs..
Water on kitchen floor or on bottom of freezer	Cubes jammed in chute.	<ul style="list-style-type: none"> •Poke ice through with a wooden spoon.
Hot air from bottom of refrigerator	Normal air flow cooling motor. In the refrigeration process, it is normal that heat be expelled in the area under the refrigerator. Some floor coverings are sensitive and will discolor at these normal and safe temperatures.	
Refrigerator never shuts off but the temperatures are OK	Adaptive defrost keeps compressor running during door openings.	<ul style="list-style-type: none"> •This is normal. The refrigerator will cycle off after the door remains closed for 2 hours.
Refrigerator is beeping	Door is open.	Door is open.
Door not closing properly	Door gasket on hinge side sticking or folding over A door bin is hitting a shelf inside the refrigerator.	<ul style="list-style-type: none"> •Apply paraffin wax to the face of the gasket. •Move the door bin up one position.



<p>Actual temperature not equal to Set temperature</p>	<p>Unit just plugged in.</p> <p>Door open for too long.</p> <p>Warm food added to refrigerator.</p> <p>Defrost cycle is in process.</p>	<p>•Allow 24 hours for system to stabilize.</p>
---	---	---

Installation Instructions

BEFORE YOU BEGIN

Read these instructions completely and carefully.

- **IMPORTANT** — Save these instructions for local inspector’s use.
- **IMPORTANT** — Observe all governing codes and ordinances.
- **Note to Installer** – Be sure to leave these instructions with the Consumer.
- **Note to Consumer** – Keep these instructions for future reference.
- **Skill level** – Installation of this appliance requires basic mechanical skills.
- **Completion time** – Refrigerator Installation 30 minutes Water Line Installation 30 minutes
- Proper installation is the responsibility of the installer.
- Product failure due to improper installation is not covered under the Warranty. If the refrigerator has already been installed, remove the base grille (see Step 2 in Moving the Refrigerator), then skip to Step 5 in Installing the Refrigerator.

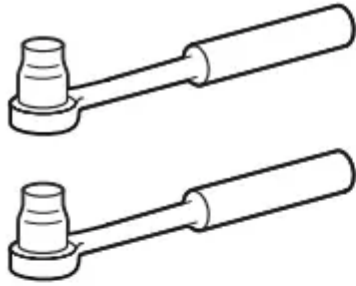
PREPARATION

WATER SUPPLY TO THE ICEMAKER

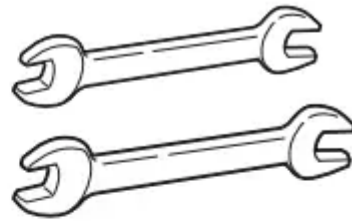
If the refrigerator has an icemaker, it will have to be connected to a cold water line. A GE water supply kit (containing tubing, shutoff valve, fittings and instructions) is available at extra cost from your dealer,

TOOLS YOU WILL NEED

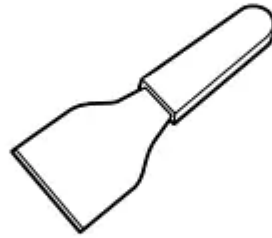




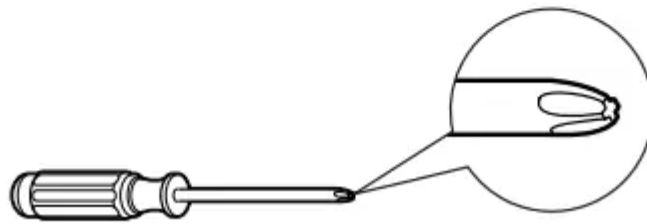
3/8" and 5/16" Socket



1/2" and 7/16" Wrench

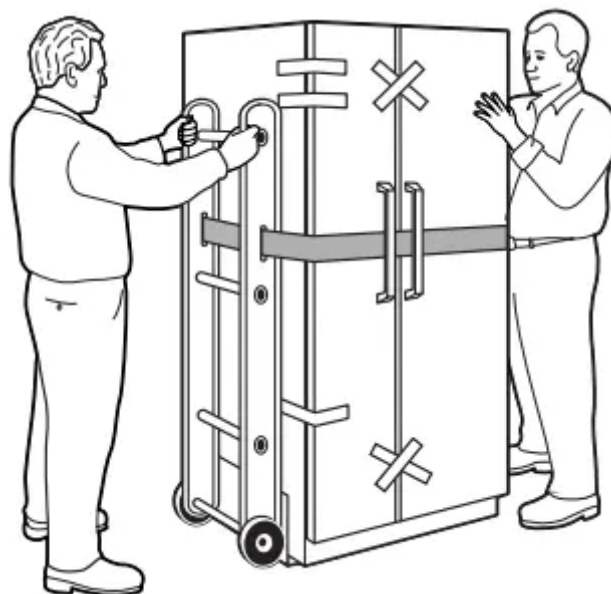


Plastic Putty Knife



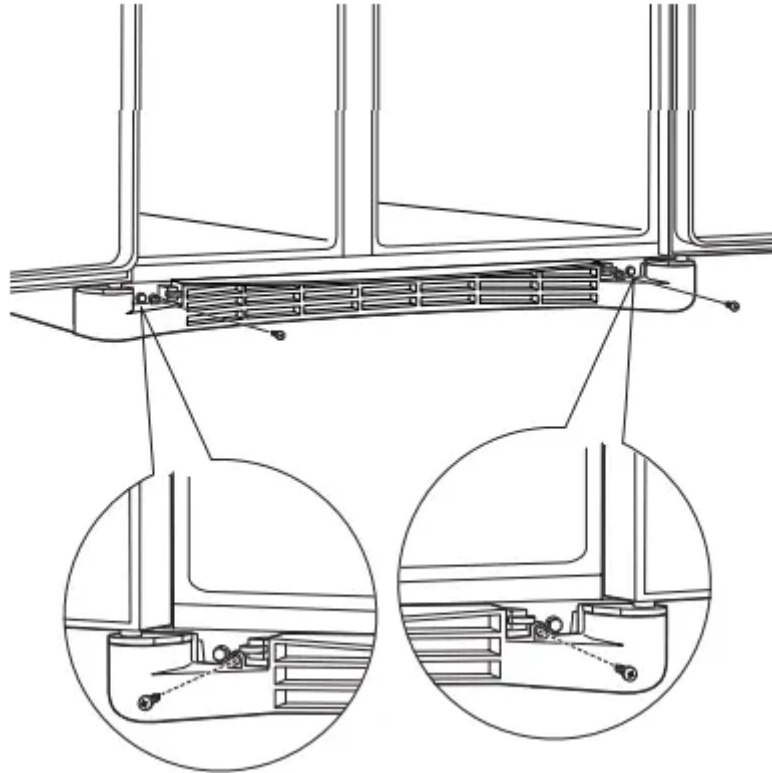
Phillips Head Screwdriver

MOVING THE REFRIGERATOR



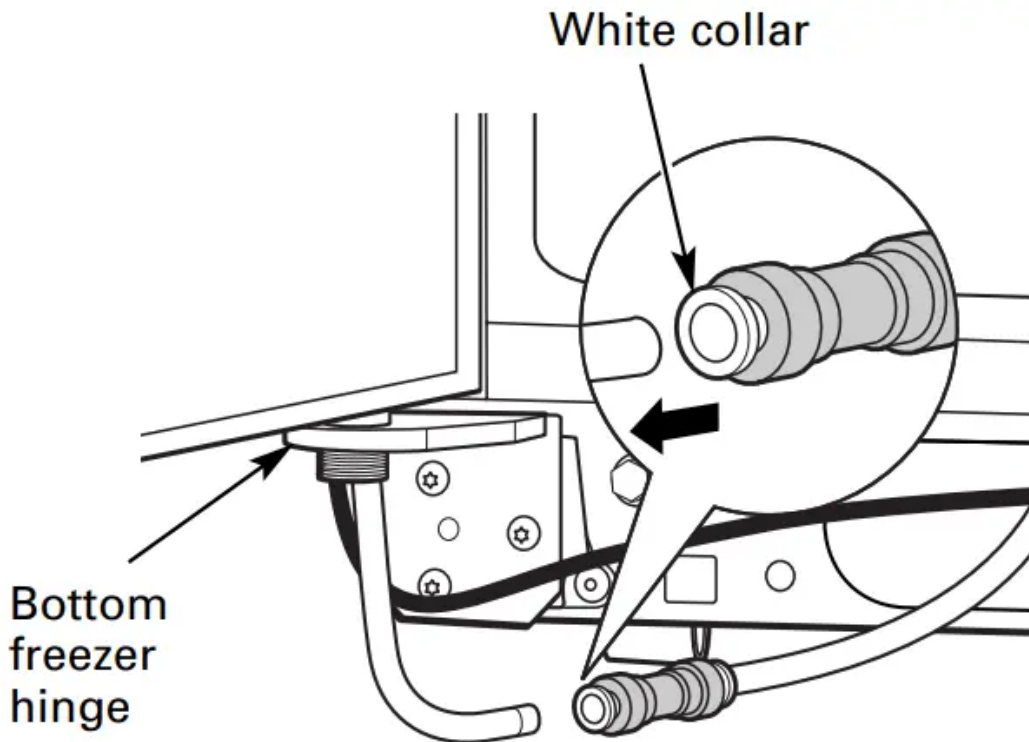
LOADING THE REFRIGERATOR ONTO A HAND TRUCK

Leave all tape and door pads on doors until the refrigerator is in its final location. To move the refrigerator, use a padded hand truck. Center the refrigerator on the hand truck and secure the strap around the refrigerator. **DO NOT OVERTIGHTEN THE STRAP.**



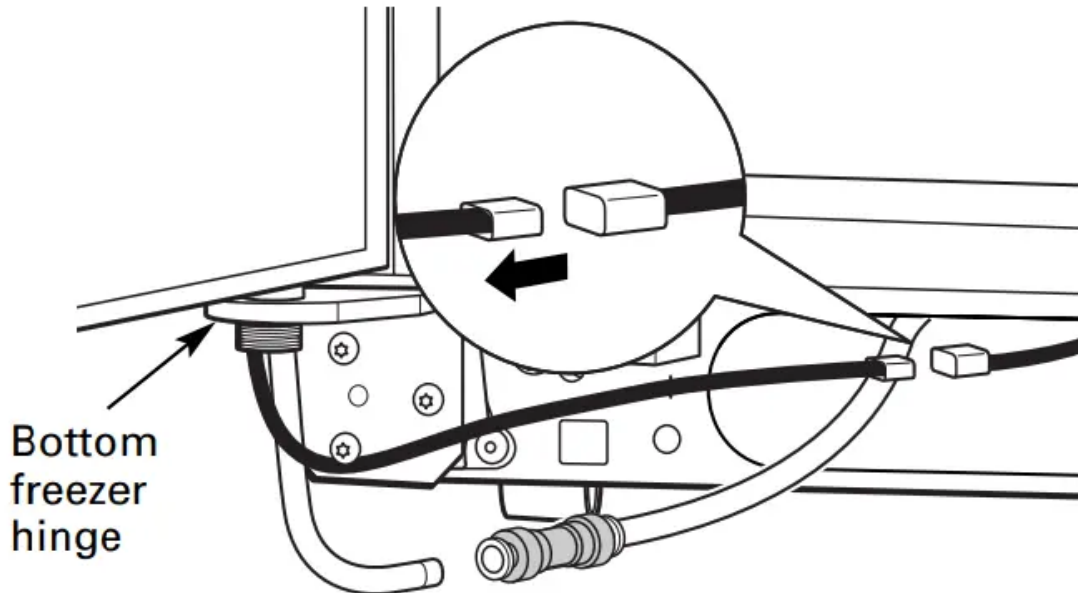
REMOVE THE BASE GRILLE

Remove the grille by removing the two Phillips head screws. 2



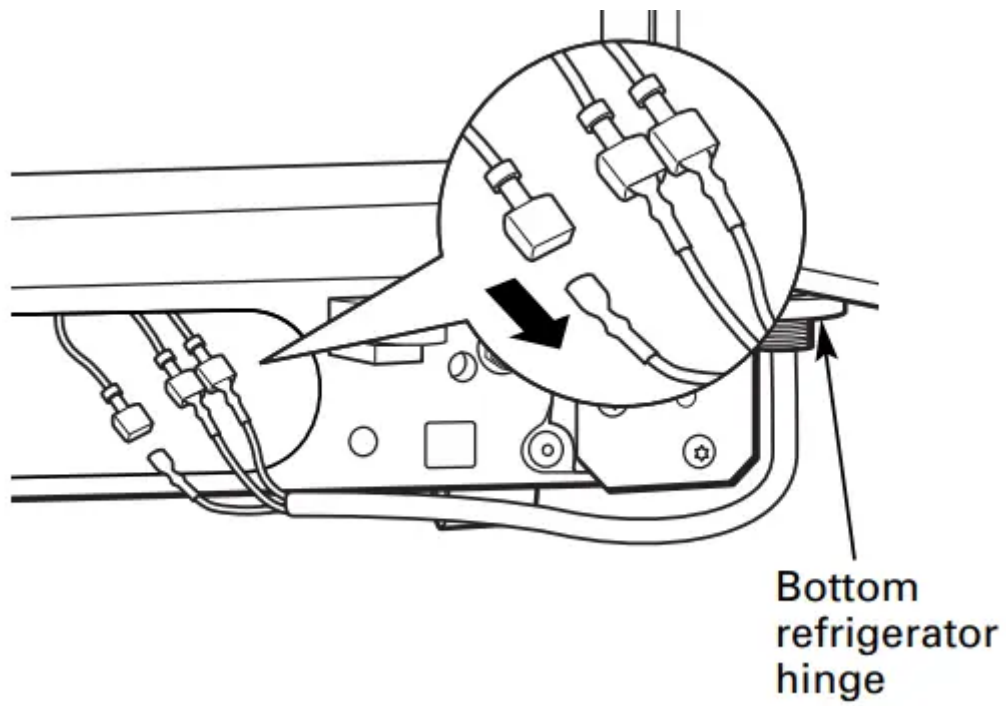
DISCONNECT THE WATER COUPLING

(on some models) If the refrigerator has a water dispenser, there is a water line from the cabinet into the bottom hinge on the freezer door that must be disconnected. To disconnect, push in on the white collar of the coupling and pull out the tubing. 3



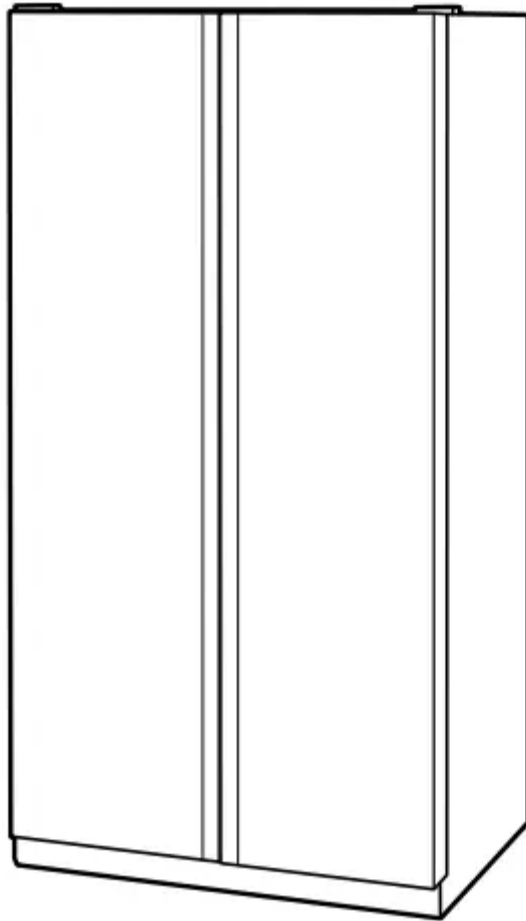
DISCONNECT THE POWER COUPLING (on some models)

If the refrigerator has a water dispenser, there is a power line (harness) from the cabinet into the bottom hinge on the freezer door that must be disconnected. To disconnect, pull apart at the coupling. 4

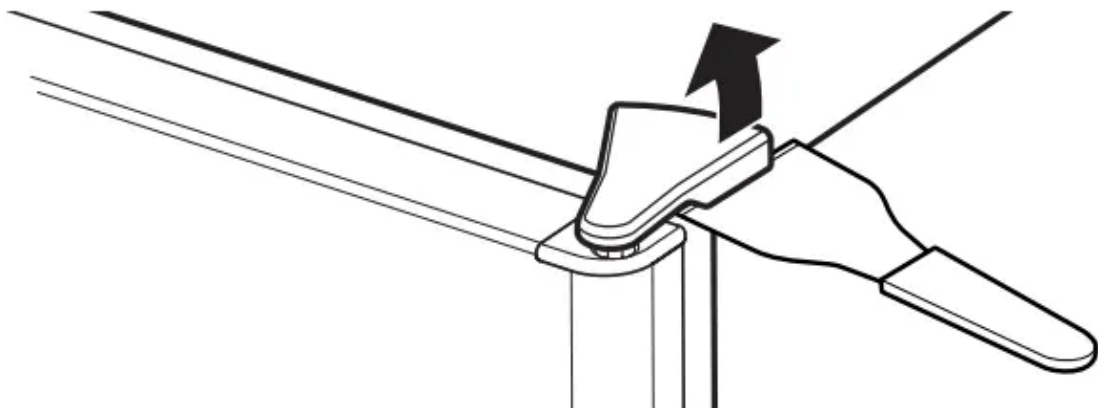


DISCONNECT THE ELECTRICAL CONNECTORS (on some models)

If the refrigerator has a refreshment center, there are electrical connectors (harnesses) from the cabinet into the bottom hinge on the refrigerator door that must be disconnected. To disconnect, pull apart each connector. 5



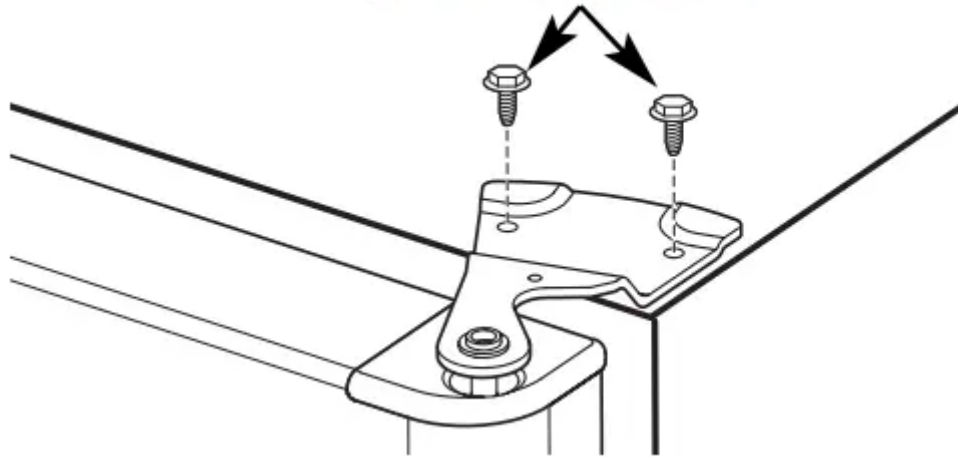
CLOSE THE FREEZER AND REFRIGERATOR DOORS



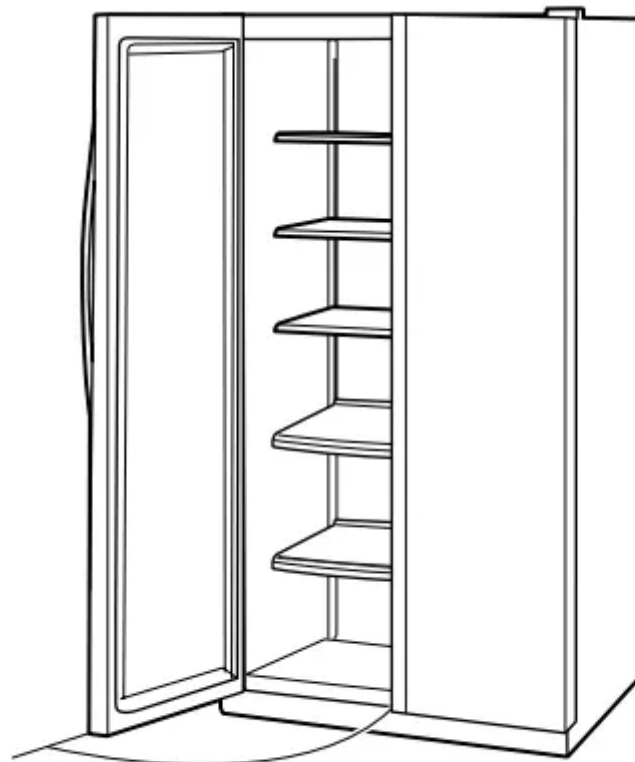
REMOVE THE FREEZER DOOR

Remove the freezer door top hinge cover by either squeezing it and pulling it up or by prying it off with a plastic putty knife.

5/16" Hex Head



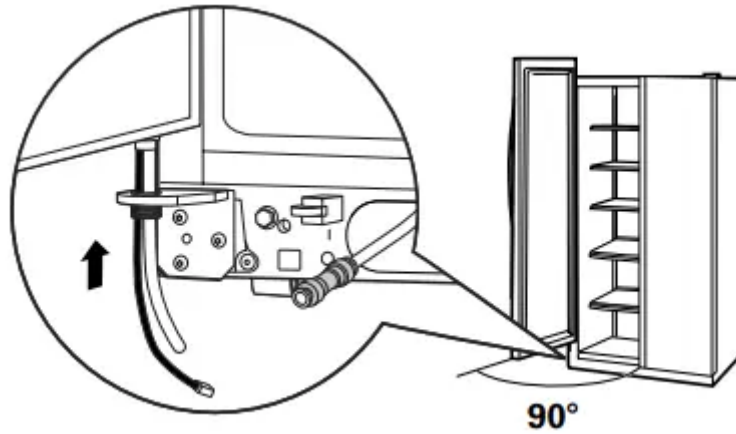
Remove the two 5/16" hex head screws, then lift the hinge straight up to free the hinge pin.



90°

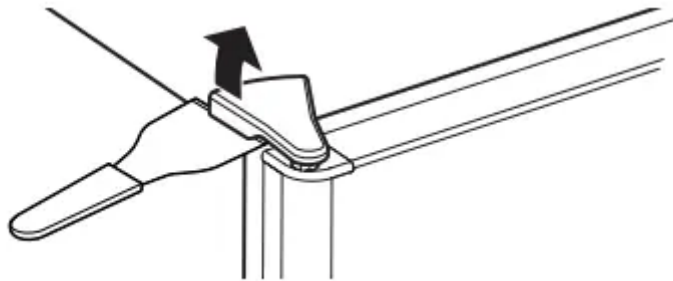
Open the freezer door to 90°. 7 A C





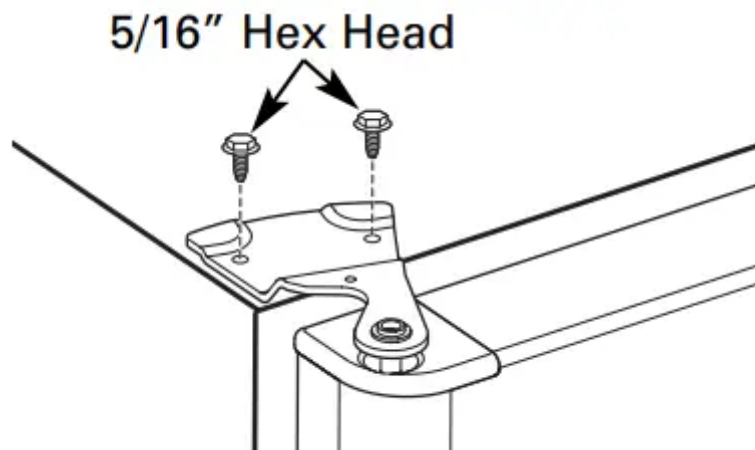
REMOVE THE FREEZER DOOR (cont.)

As one person slowly lifts the freezer door up and off the bottom hinge, the second person should carefully guide the water line and power line (harness) through the bottom hinge.

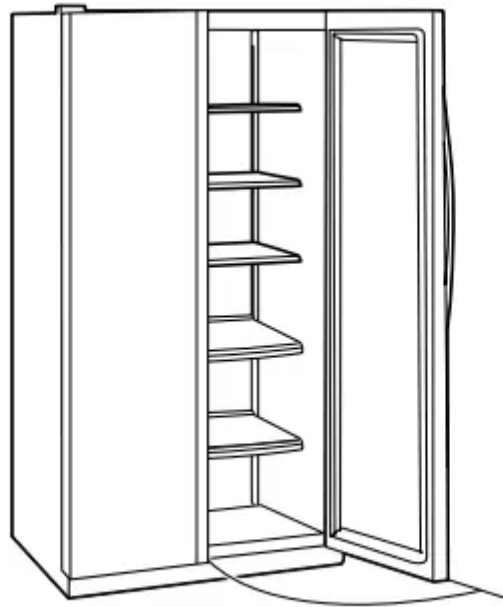


REMOVE THE REFRIGERATOR DOOR

Remove the refrigerator door top hinge cover by either squeezing it and pulling it up or by prying it off with a plastic putty knife.

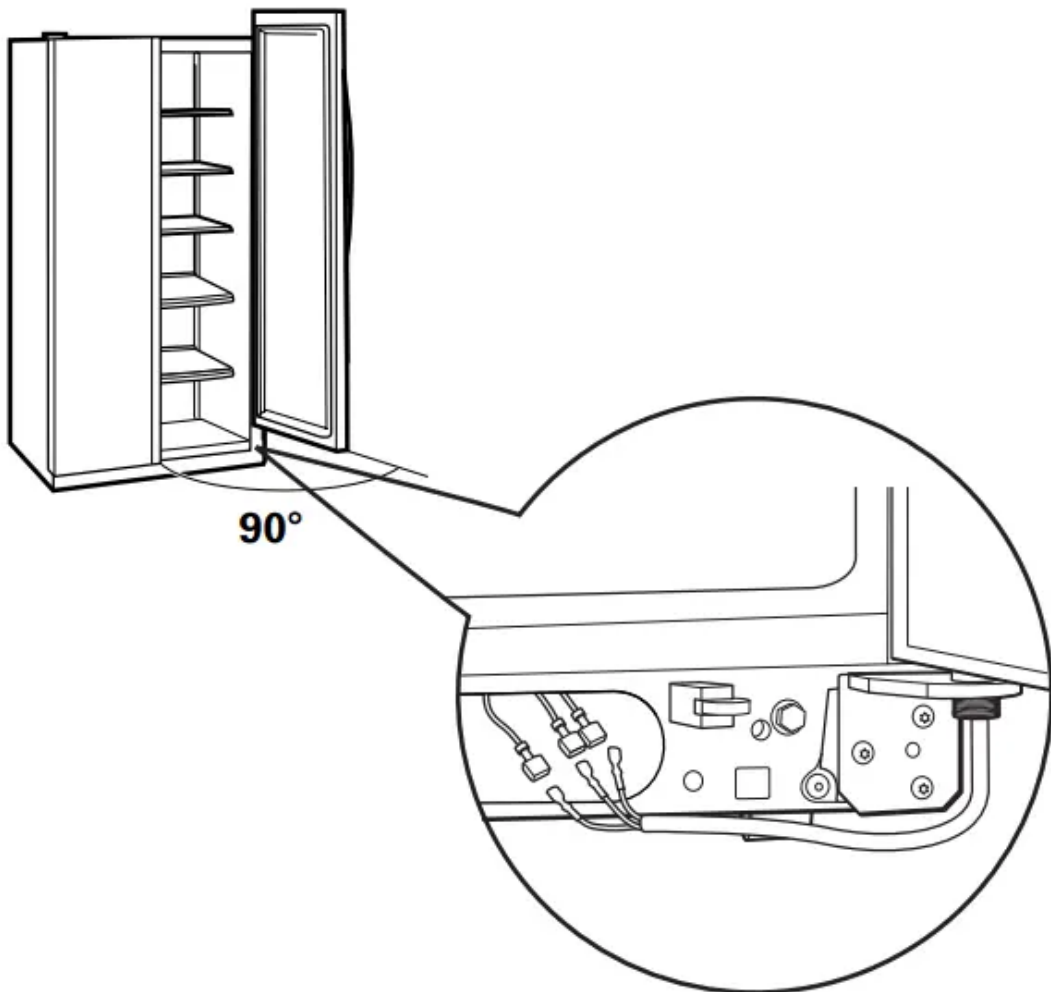


Remove the two 5/16" hex head screws, then lift the hinge straight up to free the hinge pin.



90°

Open the refrigerator door to 90.°

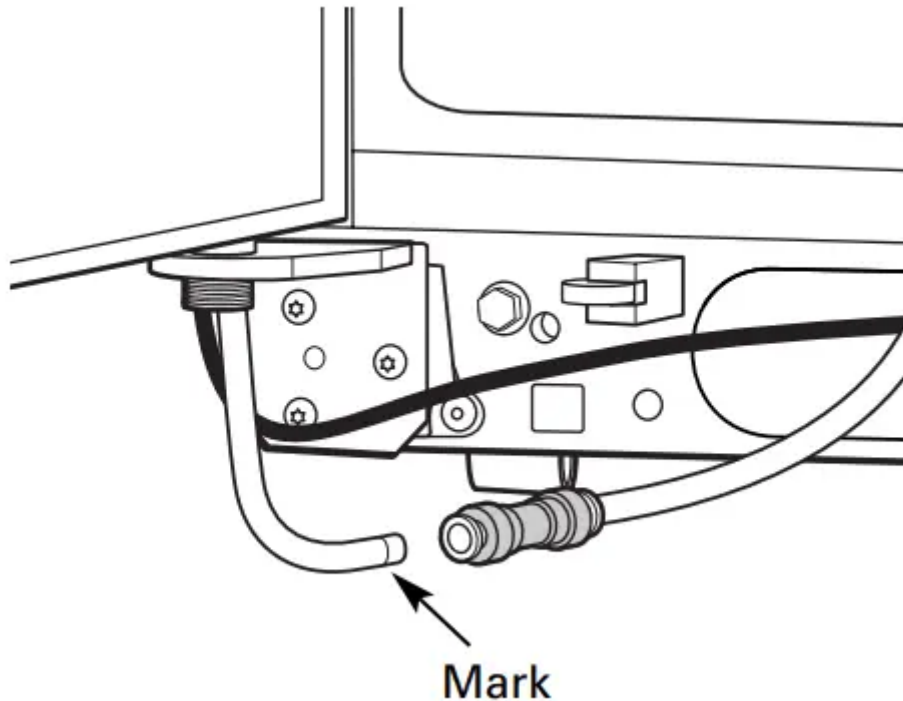


90°

Lift the refrigerator door up and off the bottom hinge.

If the refrigerator has a refreshment center, one person should slowly lift the door up and off the bottom hinge and the second person should carefully guide the electrical lines (harnesses) through the bottom hinge.

Set the door on a non-scratching surface with the inside up. 8 D



REPLACING THE DOORS

To replace the doors, simply reverse steps 3 through 8. However, please note the following:

- When lowering the doors onto the bottom hinges, make sure the second person carefully guides the tube and harnesses through the holes in the hinges.
- When connecting the water line, make sure you insert the tubing all the way to the mark.
- Do not pinch the tubing and harnesses when placing the doors on the bottom hinges. • When connecting the power line and the electrical lines (refreshment center models only), be sure that the connectors are seated together fully. 9

CONNECTING THE REFRIGERATOR TO THE HOUSE WATER LINE (icemaker and dispenser models)

A cold water supply is required for automatic icemaker and dispenser operation. If there is not a cold water supply, you will need to provide one. See “Installing the Water Line” section.

NOTES:

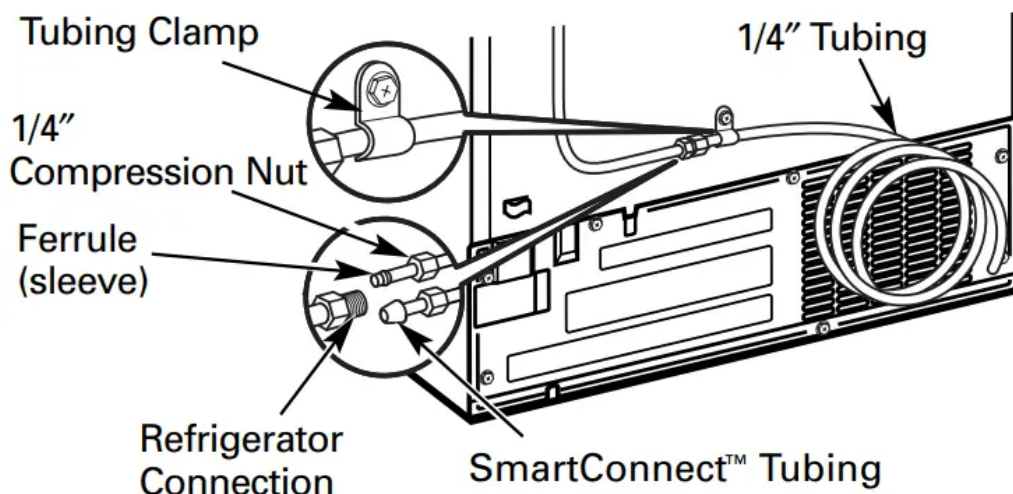
- Before making the connection to the refrigerator, be sure the refrigerator power cord is not plugged into the wall outlet.

- If your refrigerator does not have a water filter, we recommend installing one if your water supply has sand or particles that could clog the screen of the refrigerator's water valve. Install it in the water line near the refrigerator. If using GE SmartConnect™ Refrigerator Tubing Kit, you will need an additional tube (WX08X10002) to connect the filter. Do not cut plastic tube to install filter.

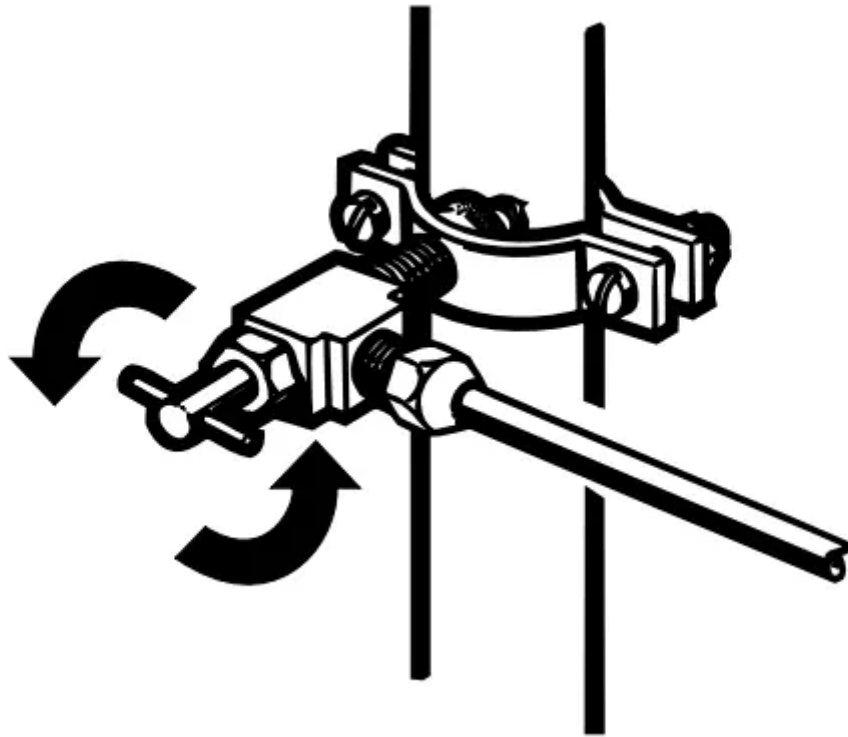
If you are using copper tubing, place a compression nut and ferrule (sleeve) onto the end of the tubing coming from the house cold water supply.

If you are using the GE SmartConnect™ tubing, the nuts are already assembled to the tubing. If you are using copper tubing, insert the end of the tubing into the refrigerator connection, at the back of the refrigerator, as far as possible. While holding the tubing, tighten the fitting.

If you are using GE SmartConnect™ tubing, insert the molded end of the tubing into the refrigerator connection, at the back of the refrigerator, and tighten the compression nut until it is hand tight. Then tighten one additional turn with a wrench. Overtightening may cause leaks.

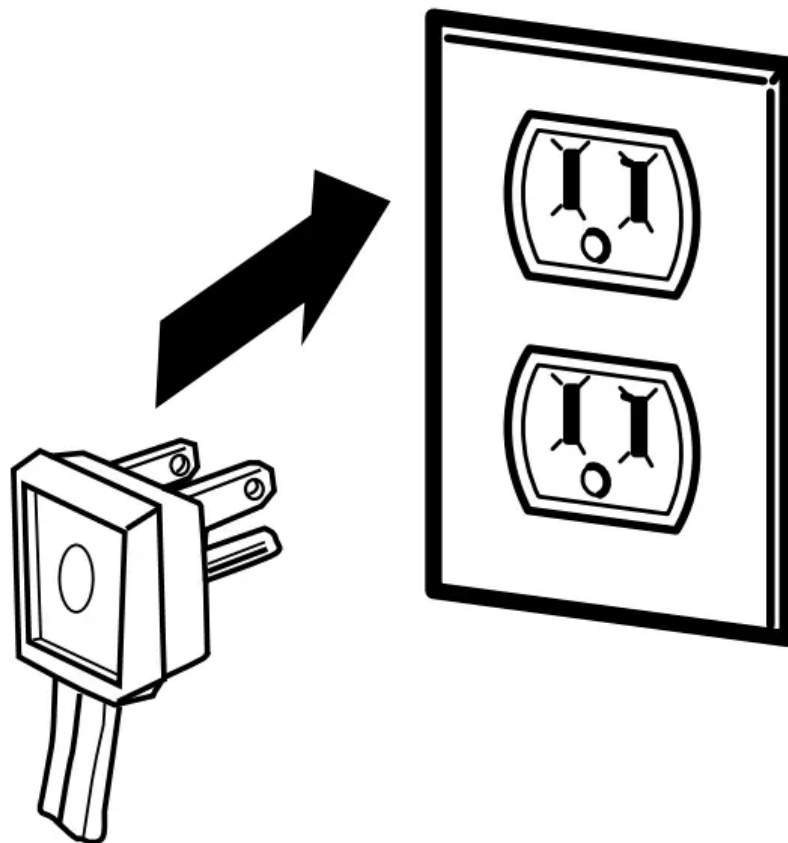


Fasten the tubing into the clamp provided to hold it in position. You may need to pry open the clamp.



TURN ON THE WATER SUPPLY

Turn the water on at the shutoff valve (house water supply) and check for any leaks.

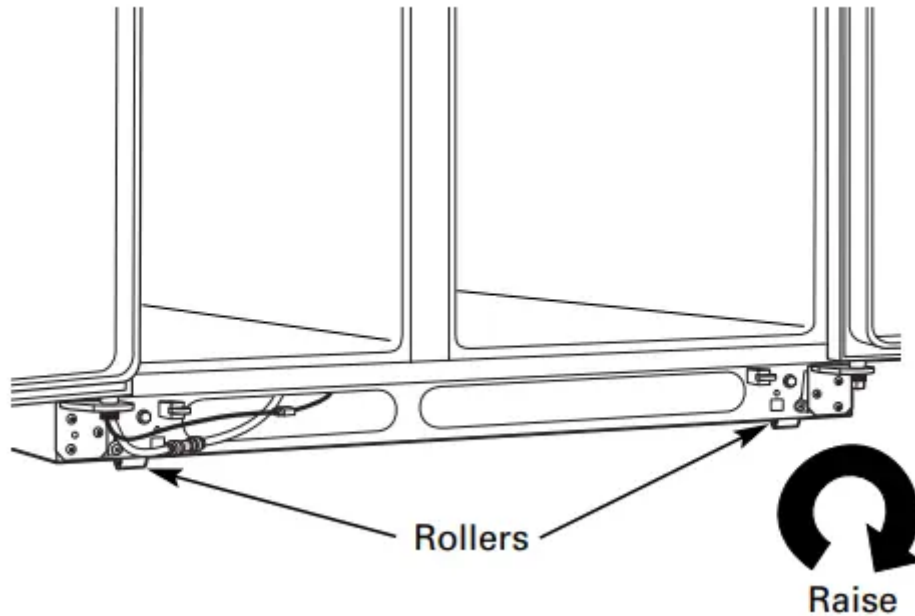


PLUG IN THE REFRIGERATOR

Before plugging in the refrigerator, make sure the icemaker power switch is set to the OFF position. See the grounding information attached to the power cord.

PUT THE REFRIGERATOR IN PLACE

Move the refrigerator to its final location.

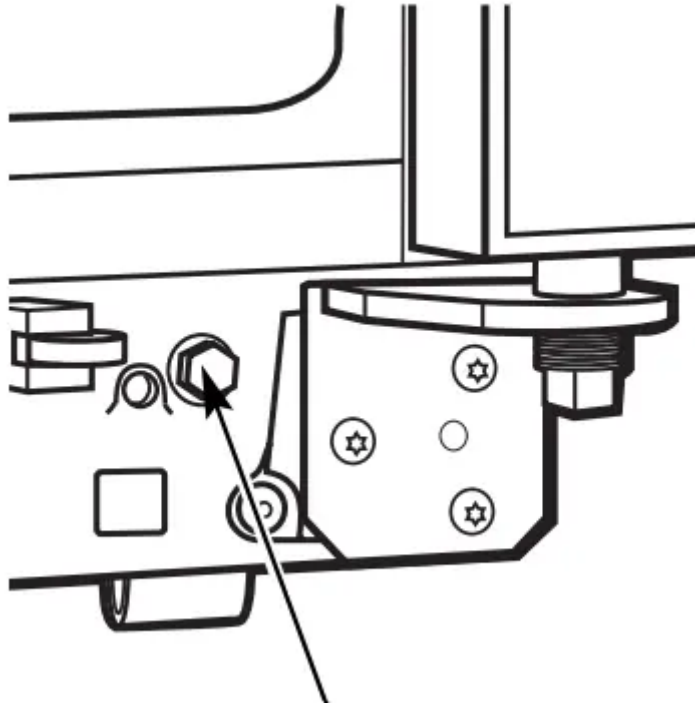


LEVEL THE REFRIGERATOR

The refrigerator can be leveled by adjusting the rollers located near the bottom hinges.

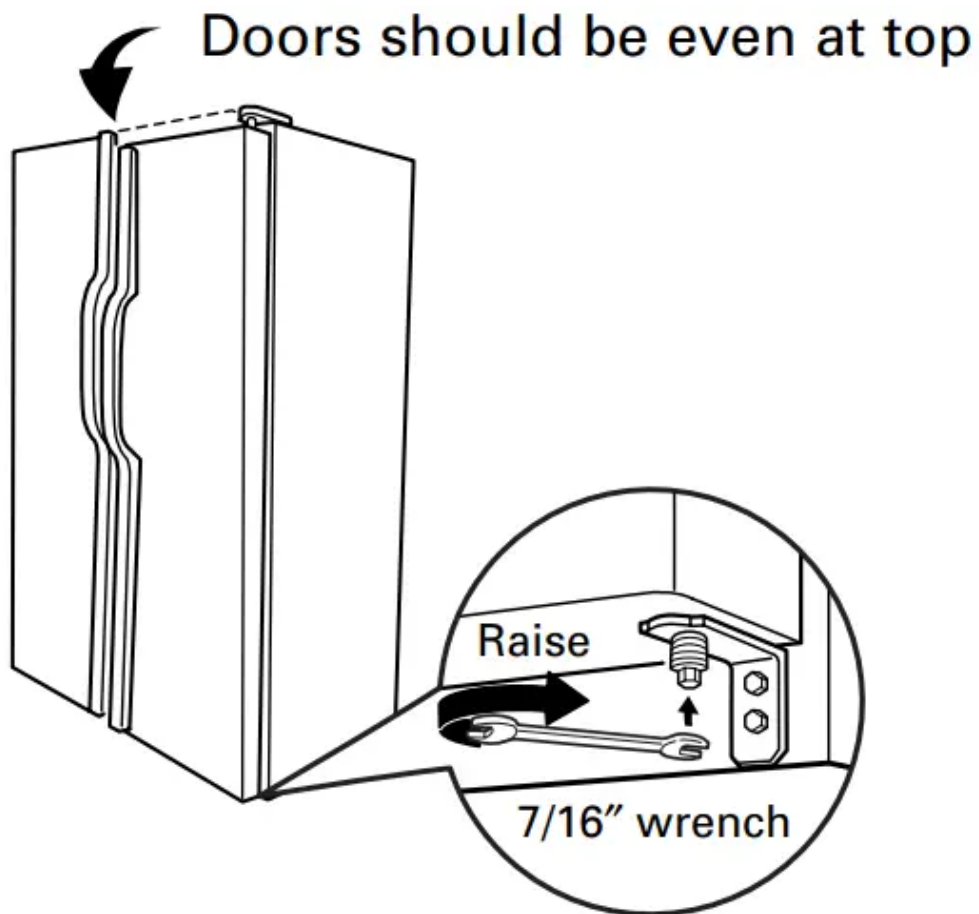
Rollers have three purposes:

- Rollers adjust so the door closes easily when opened about halfway. (Raise the front about 5/8" [16 mm] from the floor.)
- Rollers adjust so the refrigerator is firmly positioned on the floor and does not wobble.
- Rollers allow you to move the refrigerator away from the wall for cleaning.



To adjust the rollers on 23' and 25' models:

- Turn the roller adjusting screws clockwise to raise the refrigerator, counterclockwise to lower it. Use a 3/8" hex socket or wrench, or an adjustable wrench.



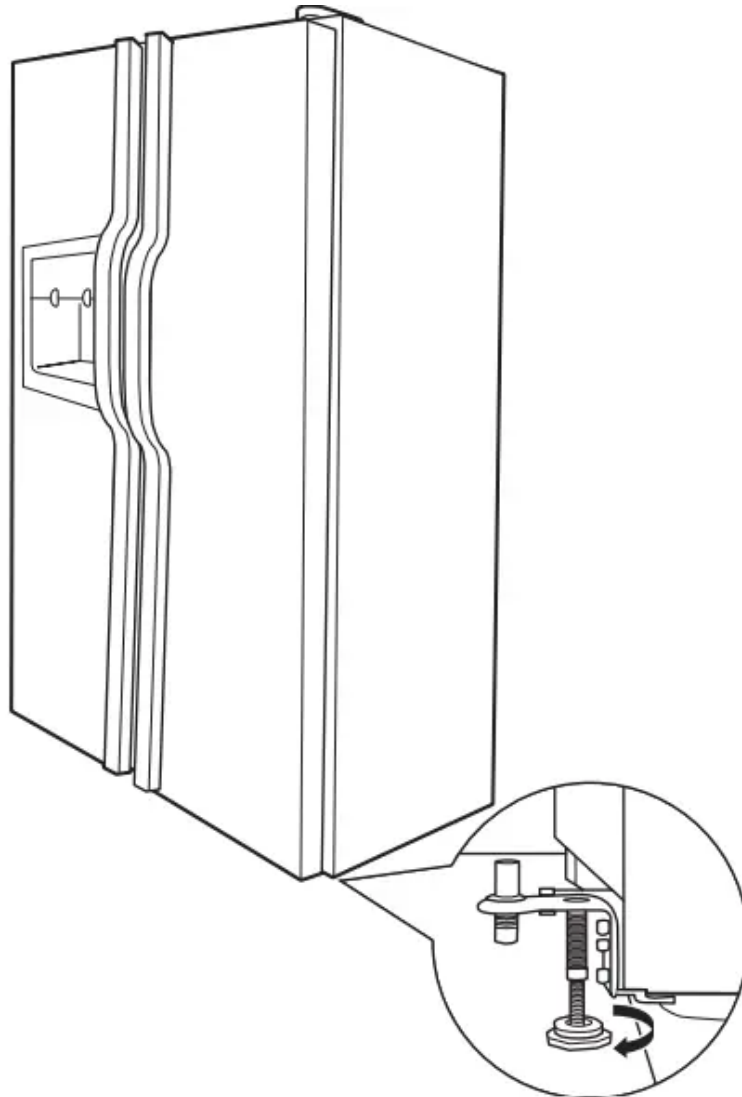
LEVEL THE DOORS

Adjust the refrigerator door to make the doors even at the top.

To align:

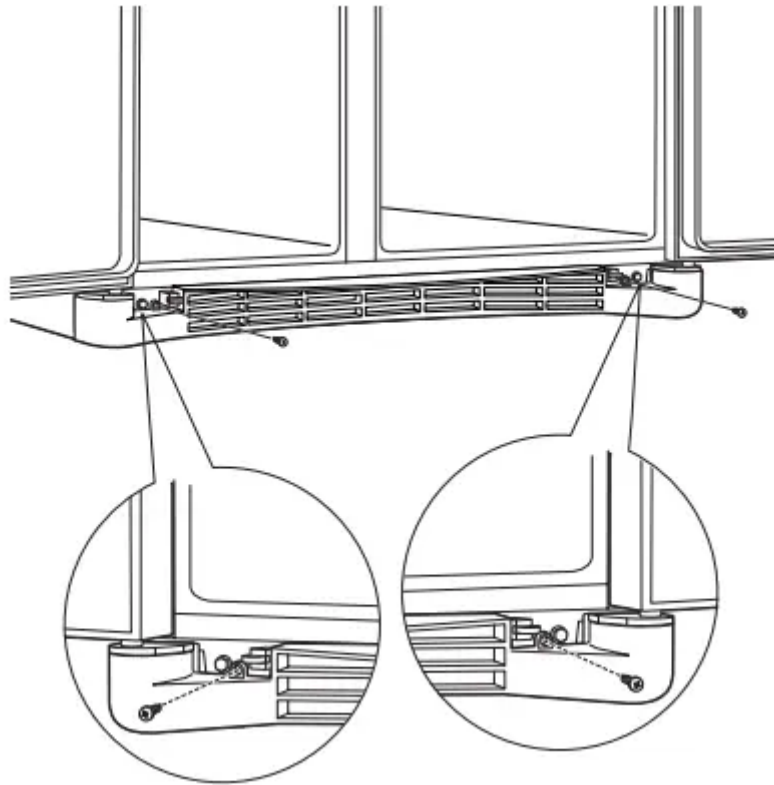
Using a $7/16$ " wrench, turn the door adjusting screw to the right to raise the door, to the left to lower it.

NOTE: A nylon plug, imbedded in the threads of the pin, prevents the pin from turning unless a wrench is used. After one or two turns of the wrench, open and close the refrigerator door and check the alignment at the top of the doors.



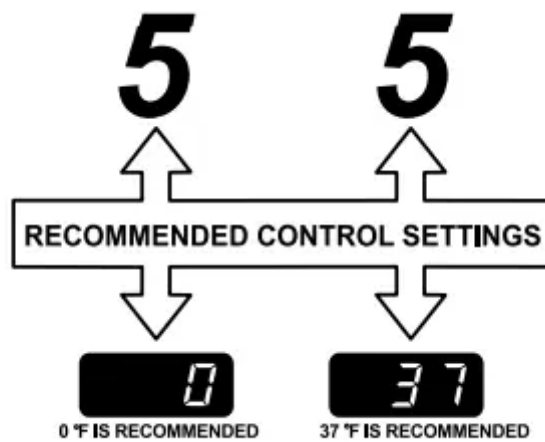
SCREW DOWN SUPPORT LEG

Screw down the support leg until it touches the floor. This will prevent door misalignment.



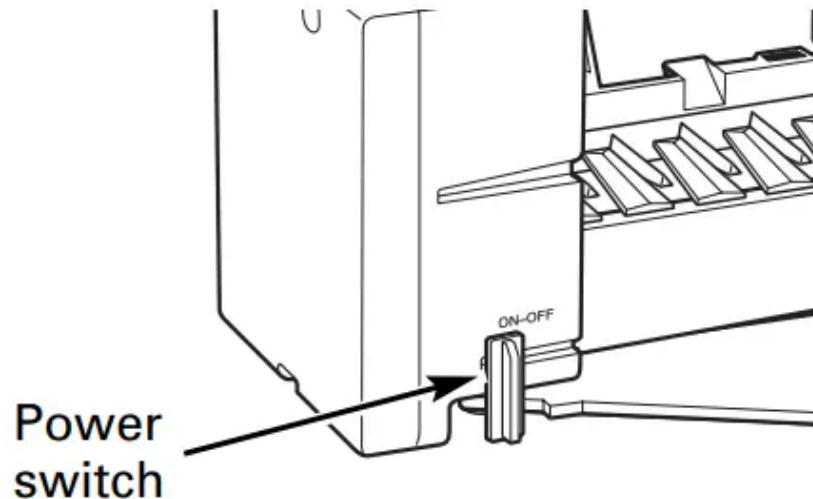
REPLACE THE BASE GRILLE

Replace the grille by installing the two Phillips head screws.



SET THE CONTROLS

Set the controls to the recommended setting.



START THE ICEMAKER

Set the icemaker power switch to the ON position. The icemaker will not begin to operate until it reaches its operating temperature of 15°F (–9°C) or below. It will then begin operation automatically. It will take 2–3 days to fill the ice bin.

INSTALLING THE WATER LINE

BEFORE YOU BEGIN

Recommended copper water supply kits are WX8X2, WX8X3 or WX8X4, depending on the amount of tubing you need. Approved plastic water supply lines are GE SmartConnect™ Refrigerator Tubing (WX08X10002, WX08X10006, WX08X10015 and WX08X10025). When connecting your refrigerator to a GE Reverse Osmosis Water System, the only approved installation is with a GE RVKit. For other reverse osmosis water systems, follow the manufacturer's recommendations. If the water supply to the refrigerator is from a Reverse Osmosis Water Filtration System AND the refrigerator also has a water filter, use the refrigerator's filter bypass plug.

Using the refrigerator's water filtration cartridge in conjunction with the RO filter can result in hollow ice cubes and slower water flow from the water dispenser. This water line installation is not warranted by the refrigerator or icemaker manufacturer. Follow these instructions carefully to minimize the risk of expensive water damage. Water hammer (water banging in the pipes) in house plumbing can cause damage to refrigerator parts and lead to water leakage or flooding. Call a qualified plumber to correct water hammer before installing the water supply line to the refrigerator.

To prevent burns and product damage, do not hook up the water line to the hot water line. If you use your refrigerator before connecting the water line, make sure the icemaker power switch is in the OFF position. Do not install the icemaker tubing in areas where temperatures fall below freezing. When using any electrical device (such as a power drill) during

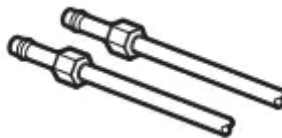
installation, be sure the device is double insulated or grounded in a manner to prevent the hazard of electric shock, or is battery powered. All installations must be in accordance with local plumbing code requirements. BEFORE YOU BEGIN Installation Instructions

WHAT YOU WILL NEED

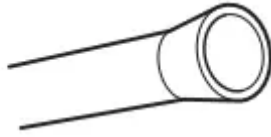
- Copper or GE SmartConnect™ Refrigerator Tubing kit, 1/4" outer diameter to connect the refrigerator to the water supply. If using copper, be sure both ends of the tubing are cut square. To determine how much tubing you need: measure the distance from the water valve on the back of the refrigerator to the water supply pipe. Then add 8' (2.4 m). Be sure there is sufficient extra tubing (about 8' [2.4 m] coiled into 3 turns of about 10" [25 cm] diameter) to allow the refrigerator to move out from the wall after installation. GE SmartConnect™ Refrigerator Tubing Kits are available in the following lengths: 2' (0.6 m) – WX08X10002 6' (1.8 m) – WX08X10006 15' (4.6 m) – WX08X10015 25' (7.6 m) – WX08X10025 Be sure that the kit you select allows at least 8' (2.4 m) as described above. 27 NOTE: The only GE approved plastic tubing is that supplied in GE SmartConnect™ Refrigerator Tubing kits. Do not use any other plastic water supply line because the line is under pressure at all times. Certain types of plastic will crack or rupture with age and cause water damage to your home.
- A GE water supply kit (containing tubing, shutoff valve and fittings listed below) is available at extra cost from your dealer or from Parts and Accessories, 800.626.2002 (in Canada 1.800.661.1616).
- A cold water supply. The water pressure must be between 20 and 120 p.s.i. (1.4–8.1 bar).



- Power drill.
- 1/2" or adjustable wrench.
- Straight and Phillips blade screwdriver.



- Two 1/4" outer diameter compression nuts and 2 ferrules (sleeves)—to connect the copper tubing to the shutoff valve and the refrigerator water valve. OR
- If you are using a GE SmartConnect™ Refrigerator Tubing kit, the necessary fittings are preassembled to the tubing.



- If your existing copper water line has a flared fitting at the end, you will need an adapter (available at plumbing supply stores) to connect the water line to the refrigerator OR you can cut off the flared fitting with a tube cutter and then use a compression fitting. Do not cut formed end from GE SmartConnect™ Refrigerator tubing.

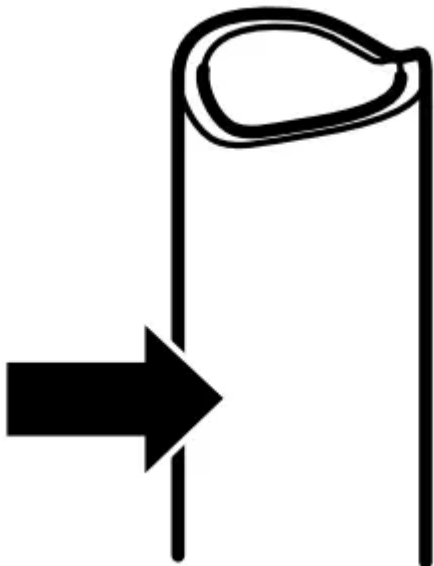


- Shutoff valve to connect to the cold water line. The shutoff valve should have a water inlet with a minimum inside diameter of 5/32" at the point of connection to the COLD WATER LINE. Saddle-type shutoff valves are included in many water supply kits. Before purchasing, make sure a saddle-type valve complies with your local plumbing codes.

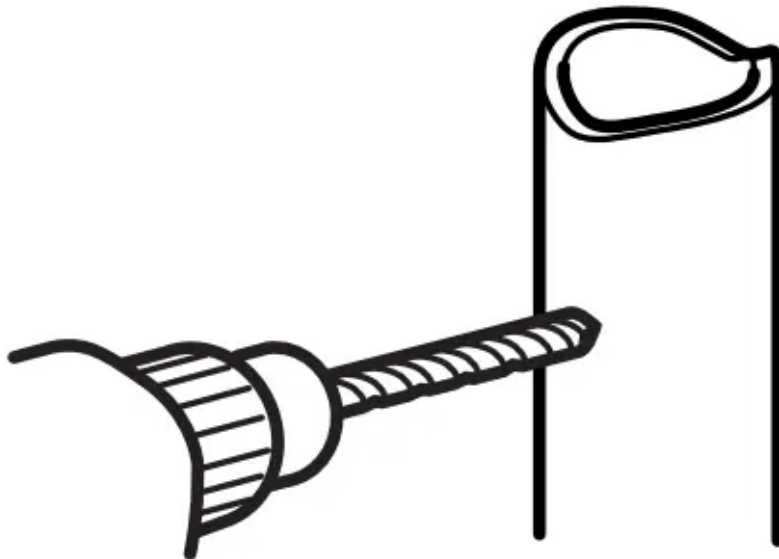
SHUT OFF THE MAIN WATER SUPPLY

Turn on the nearest faucet long enough to clear the line of water.

CHOOSE THE VALVE LOCATION

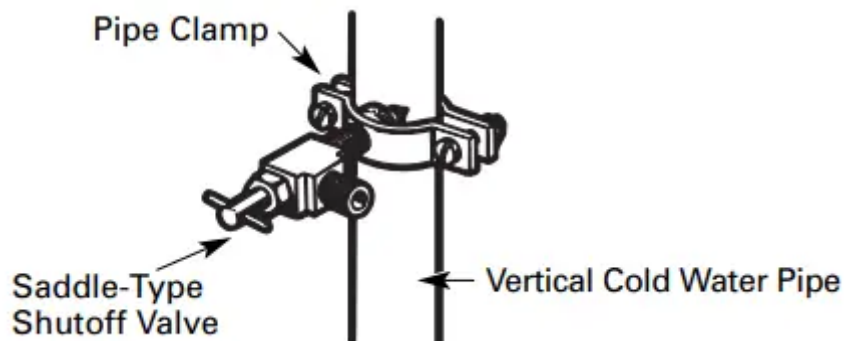


Choose a location for the valve that is easily accessible. It is best to connect into the side of a vertical water pipe. When it is necessary to connect into a horizontal water pipe, make the connection to the top or side, rather than at the bottom, to avoid drawing off any sediment from the water pipe.



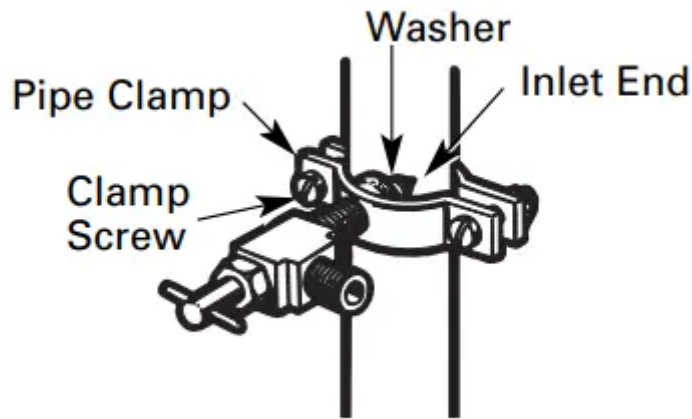
DRILL THE HOLE FOR THE VALVE

Drill a 1/4" hole in the water pipe (even if using a self-piercing valve), using a sharp bit. Remove any burrs resulting from drilling the hole in the pipe. **Take care not to allow water to drain into the drill. Failure to drill a 1/4" hole may result in reduced ice production or smaller cubes.**



FASTEN THE SHUTOFF VALVE

Fasten the shutoff valve to the cold water pipe with the pipe clamp. **NOTE:** Commonwealth of Massachusetts Plumbing Codes 248CMR shall be adhered to. Saddle valves are illegal and use is not permitted in Massachusetts. Consult with your licensed plumber.

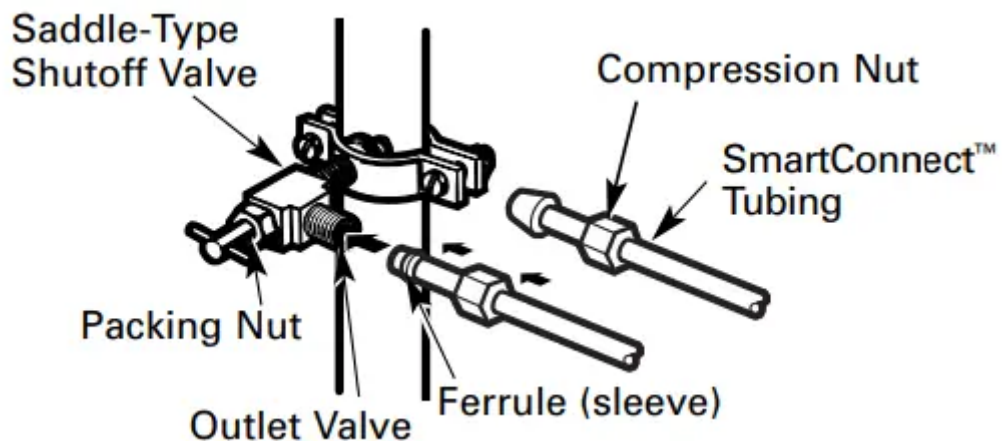


TIGHTEN THE PIPE CLAMP

Tighten the clamp screws until the sealing washer begins to swell. **NOTE:** Do not overtighten or you may crush the tubing.

ROUTE THE TUBING

Route the tubing between the cold water line and the refrigerator. Route the tubing through a hole drilled in the wall or floor (behind the refrigerator or adjacent base cabinet) as close to the wall as possible. **NOTE:** Be sure there is sufficient extra tubing (about 8' [2.4 m] coiled into 3 turns of about 10" [25 cm] diameter) to allow the refrigerator to move out from the wall after installation.



CONNECT THE TUBING TO THE VALVE

Place the compression nut and ferrule (sleeve) for copper tubing onto the end of the tubing and connect it to the shutoff valve. Make sure the tubing is fully inserted into the valve. Tighten the compression nut securely. For plastic tubing from a GE SmartConnect™ Refrigerator Tubing kit, insert the molded end of the tubing into the shutoff valve and tighten compression nut until it is hand tight, then tighten one additional turn with a wrench. Overtightening may cause leaks.

NOTE: Commonwealth of Massachusetts Plumbing Codes 248CMR shall be adhered to. Saddle valves are illegal and use is not permitted in Massachusetts. Consult with your licensed plumber.



FLUSH OUT THE TUBING

Turn the main water supply on and flush out the tubing until the water is clear. Shut the water off at the water valve after about one quart (1 liter) of water has been flushed through the tubing.

Warning

This content is compiled from multiple sources and is provided for reference purposes only. It may not be complete or fully applicable to all situations. If you are unable to resolve your issue, please contact the product manufacturer or an authorized service provider for official support.