

Setting up your French Door Refrigerator

GETTING READY TO INSTALL THE REFRIGERATOR

Congratulations on your purchase of this Samsung French Door Refrigerator. We hope you enjoy the state-of-art features and efficiencies that this new appliance offers.

Selecting the best location for the refrigerator

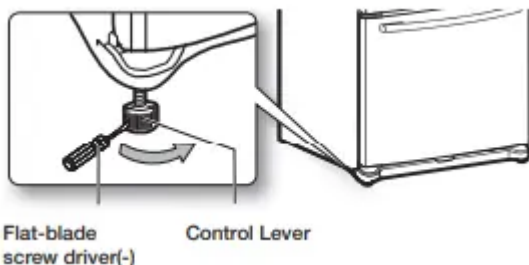
Choose:

- A location with easy access to a water supply.
- A location without direct exposure to sunlight.
- A location with a level floor.
- A location with enough space for the refrigerator doors to open easily.
- A location that allows sufficient space to the right, left, back and top for air circulation. If the refrigerator does not have enough space, it can cause the bad influence to refrigeration efficiency and power consumption.
- A location that allows you to move the refrigerator easily if it needs maintenance or service.
- Do not install the refrigerator in locations where the temperature is over 110 °F (43 °C) or below 50 °F (10 °C).
- Do not locate the refrigerator where it may become wet.

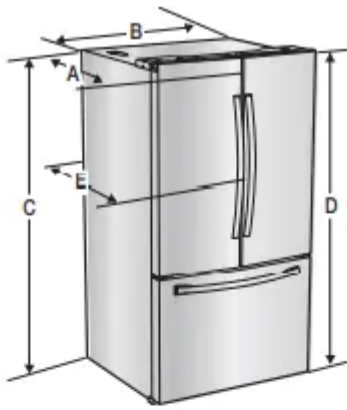
If your refrigerator has an ice maker, allow extra space at the back for the water line connections.

When moving your refrigerator

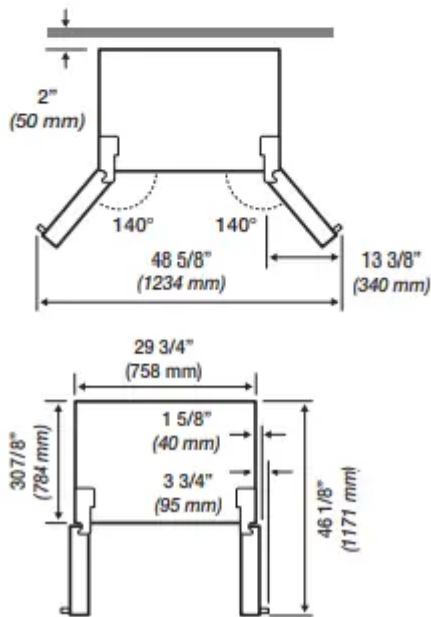
To prevent floor damage, be sure the front adjusting legs are in the up position (above the floor). Refer to 'Adjusting the Level' in the manual.



First thing! Make sure that you can easily move your refrigerator to its final location by measuring doorways (both width and height), thresholds, ceilings, stairways, etc.

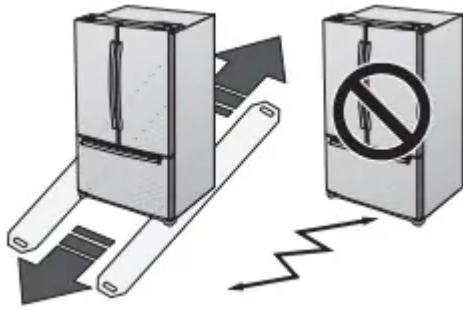


| Model | RF220**/ RF221** |
|--------------------|-------------------|
| Depth "A" | 34 3/4" (884 mm) |
| Width "B" | 29 3/4" (758 mm) |
| Height "C" | 65 1/4" (1655 mm) |
| Overall Height "D" | 66 3/4" (1695 mm) |
| Depth "E" | 37 1/4" (944 mm) |



FLOORING

For proper installation, you must place this refrigerator on a level, hard surface that is the same height as the rest of the floor. This surface should be strong enough to support a fully loaded refrigerator, or approximately 286.6 lbs (130 kg). To protect the finish of the flooring, cut a large section of the cardboard carton and place it under the refrigerator where you are working. When moving the refrigerator, you need to pull and push it straight forwards or back. Do not wiggle it from side to side.



ACCESSORIES AND REQUIRED TOOLS

The following accessory is included with your refrigerator:



Compression Fitting



Compression Nut

Required Tools (Not provided)

You need the following tools to complete the installation of your refrigerator:

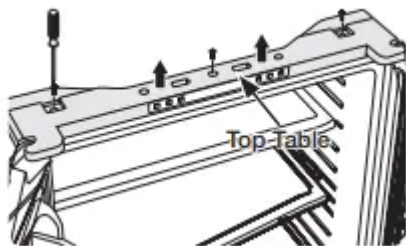
| | | |
|-------------------------------|-------------------------------|-------------------------|
| | | |
| Philips screwdriver(+) | Flat-blade screw driver(-) | Socket wrench (10mm) |
| | | |
| Allen wrench (3/16") (5mm) | | |

REMOVING THE REFRIGERATOR DOORS

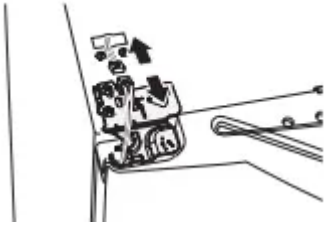
Disassembling the fridge doors

WARNING: Be careful not to drop and scratch the doors while removing them.

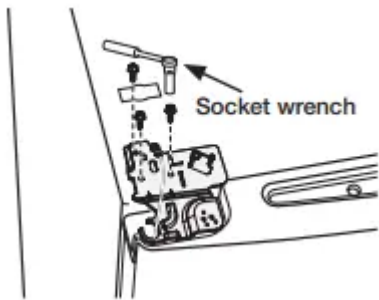
1. Remove the 3 screws holding down the top table and remove it.



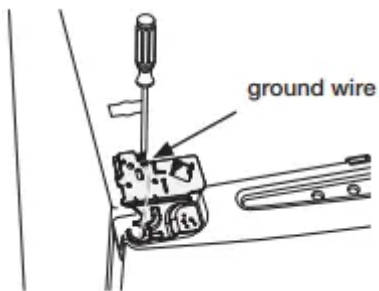
2. Disconnect electric wire on the top of the refrigerator.



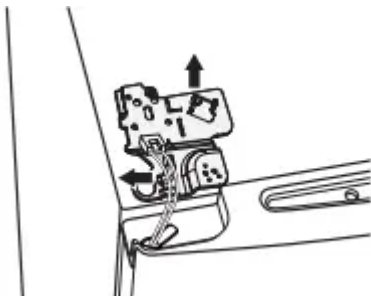
3. Remove the 3 hex bolts that hold the hinge on the top of the refrigerator with the 10 mm socket wrench.



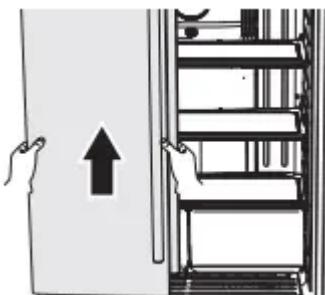
4. Remove the screw that holds the ground wire with a philips screwdriver(+).



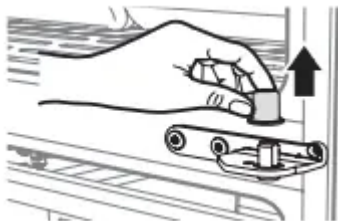
5. Separate the hinge from the electric wire and ground wire as shown above.



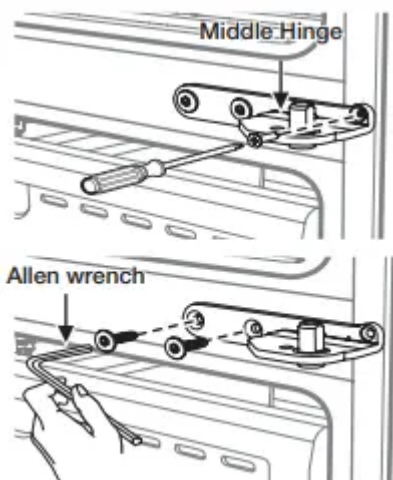
6. Lift the door straight up to remove. Be careful not to drop and scratch the doors while removing them.



7. Separate the cap on the middle hinge.

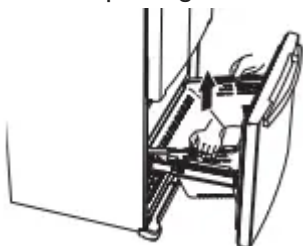


8. Remove the screw attached to the left and right middle hinges with a philips screwdriver(+). Remove the 2 hex head bolts attached to the left and right middle hinges with an allen wrench(3/16”).



Disassembling the freezer door

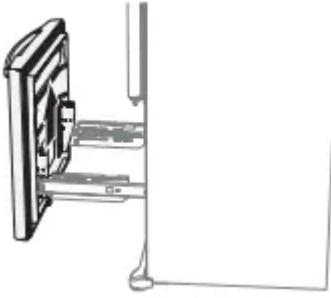
1. After opening the Freezer door, lift the drawer



2. Remove 4 hex head bolt from both sides with a socket wrench(10 mm)

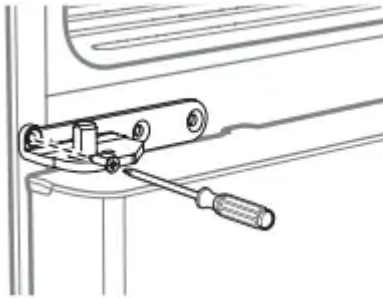


3. Remove 4 hex head bolts from both sides with a socket wrench(10 mm).

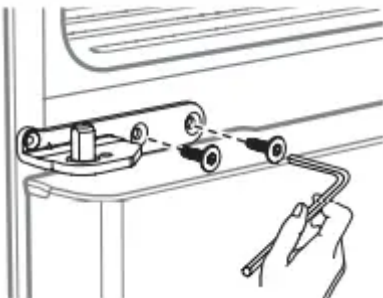


Reassembling the fridge door

1. Insert and tighten the screw into the left and right middle hinges with a philips screwdriver(+).



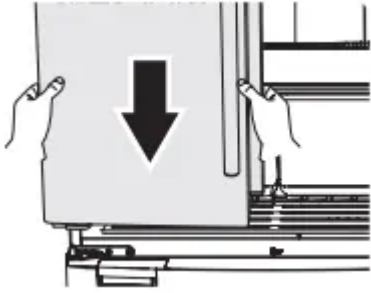
2. Insert and tighten the 2 hex head bolts into the left and right middle hinges with an allen wrench(3/16").



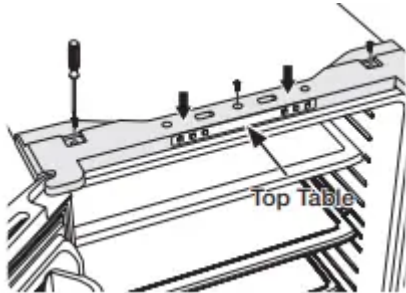
3. Replace the middle hinge cap.



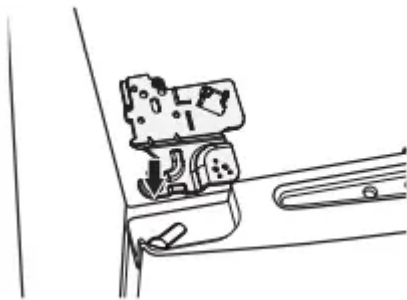
4. Place the hole in the bottom of the left door over the middle hinge.



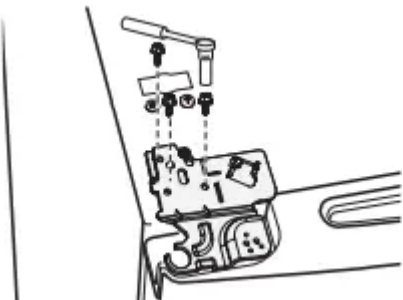
5. Position the top table in place. Insert and tighten the 3 screws into the top table with a philips screwdriver(+).



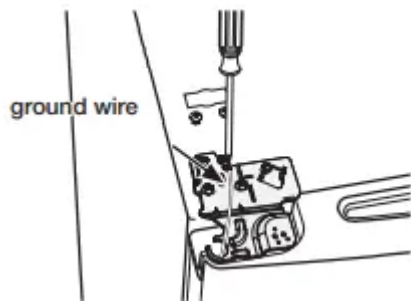
6. Insert the left upper hinge shaft into the hole the corner of the fridge door.



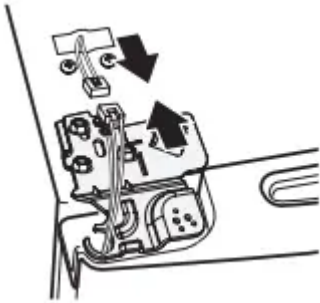
7. Insert the upper hinges into the holes at the top of the door. Insert and tighten the 3 hex head bolts into the left and right upper hinges with a socket wrench.



8. Insert and tighten the ground screw into the left and right upper hinges with a philips screwdriver(+).

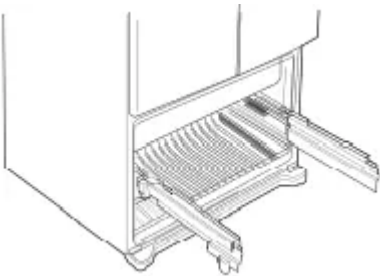


9. Connect the electronic wire on the top of the refrigerator.

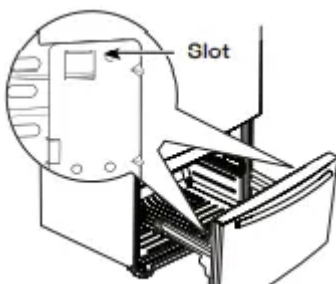


Reassembling the freezer door

1. Pull out the rails to the full length on each side of the cabinet evenly.



2. Hang the freezer door front onto open slot on the sides.

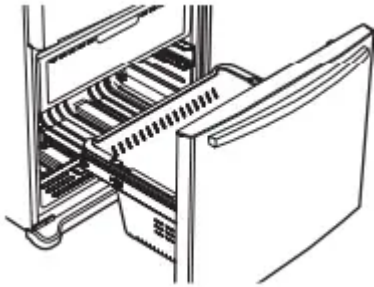


3. With the 10mm wrench, reattach 4 bolts to connect the rail with the door.





4. With the drawer pulled out fully, insert the drawer box into the rail system.



CAUTION: Be careful not to scratch or dent the sliding rail by letting it strike the floor.

CAUTION: Make sure that you mount the freezer basket in the right position when removing / installing the freezer door. Failing to do so may result in the door not opening or closing properly. Do not overload the bottom basket or the top drawer. Overloading prevents the Freezer drawer from closing properly and will eventually cause frost build-up.

ADJUSTING THE LEVEL

Make sure the refrigerator is level so that you can make final adjustments. Use a level to test if the refrigerator is level both side to side and back to front. If the refrigerator is not level, it will not be possible to get the doors perfectly even, which may cause moisture condensation and increased energy bills. Below is an example of how to level the refrigerator if the left side of the refrigerator is lower than the right side.

How to adjust the level

1. Open the freezer drawer and remove the lower basket.
2. Insert a flat-blade screwdriver (-) into the notch on the left control lever, and then turn it counterclockwise to level the refrigerator. (You turn the lever clockwise to lower the refrigerator and counterclockwise to raise it)

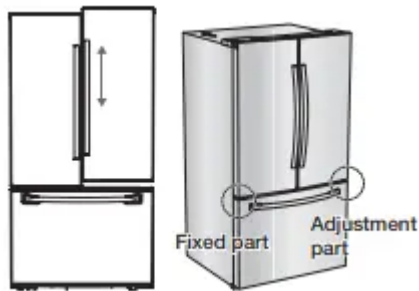
CAUTION: Both control levers must be touching the floor to avoid possible personal injury or property damage because of tipping.

- If the right side is lower, perform the same procedure, but with the right control lever.

- It is difficult to remove the cover leg front from the refrigerator, so we do not recommend making small adjustments with the control lever. Instead, refer to the next page for the best way to make minor adjustments to the doors.

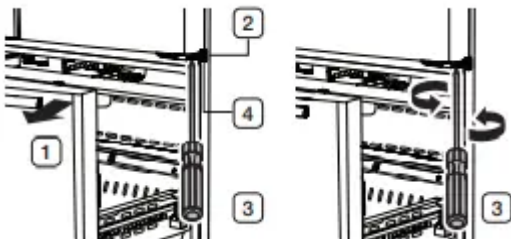
MAKING MINOR ADJUSTMENTS BETWEEN DOORS

Remember, a leveled refrigerator is necessary for getting the doors perfectly even. If you need help, review the previous section on leveling the refrigerator.



- The left door is fixed. To make minor adjustments between doors, adjust only the right door.

1. Pull out the freezer drawer (1), then you can see the lower hinge (2).
2. Insert a philips screwdriver (+) (3) into the shaft (4) of the lower hinge.
3. Adjust the height by turning a philips screwdriver (+) (3) clockwise () or counterclockwise ().



- When you turn a philips screwdriver (+) counterclockwise (), the door will move up.

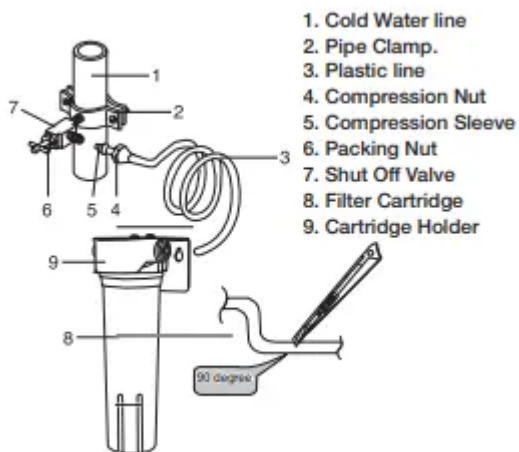
INSTALLING THE WATER DISPENSER LINE

Using the water filter (not provided)

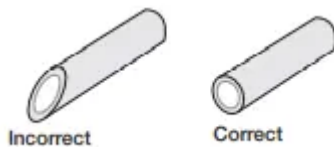
Connecting to the water supply line

- Shut off the main water supply line and turn the Ice maker to the off position.
- Locate the nearest cold drinking water line.
- Follow the instructions in the water filter installation kit.
- After connecting the water supply line to the Cartridge Holder inlet and installing the Filter Cartridge (insert plastic line in fully).

- Turn on water supply and Flush 3 gallons through filter before use (flush approximately 6 minutes)



- The water filter must be installed outside the refrigerator. It is not provided with your new refrigerator. The filter cartridge (8) and holder (9) kit can be purchased from the retailer where you purchased this refrigerator.
- Do not use copper line.
- Cut the tubing, making sure the ends are square and clean

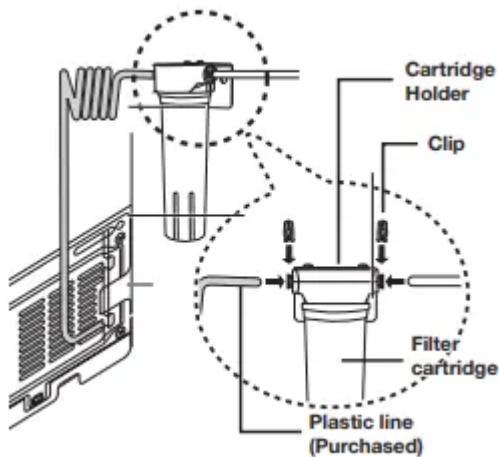


There are several items that you need to purchase to complete this connection. You may find these items sold as a kit at your local hardware store.

| Use Copper Tubing | Use Plastic Tubing |
|---|---|
| <ul style="list-style-type: none"> • ¼" copper tubing • ¼" compression nut (1pc) • Ferrule (2pc) | <ul style="list-style-type: none"> • ¼" plastic tubing → Molded end(Bulb) • ¼" compression nut (1pc) |

Connect the water line to the fridge

- Connect the plastic line on the back of your fridge to the cartridge holder outlet (fully insert the plastic line to the cartridge holder outlet).
- Insert plastic clip to the cartridge holder inlet and outlet.
- Turn water on and check for any leakage.

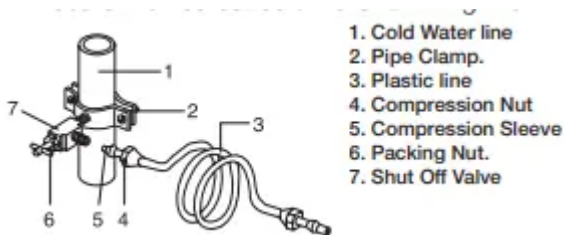


- You can purchase the necessary filter cartridge at the retailer where you purchased this refrigerator.
- Water line must be connected to drinkable water only.
- When pushing the Refrigerator back, make sure you don't roll over the power cord or water line(Icemaker supply line).
- Use the new hose-sets supplied with the appliance only. Do not re-use an old hose set.

To use without the water filter

Connecting to the water supply line

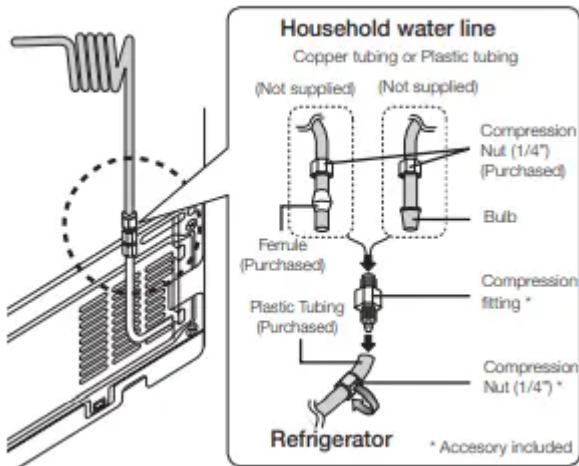
- Shut o the main water supply line and turn the Ice maker to the o position.
- Locate the nearest cold water drinking line.



Connect the water line to the fridge

1. Slip the compression nut through the plastic tubing.
2. After inserting the compression nut into plastic tubing, tighten the compression nut onto 1/4" compression fitting (Purchased).





- Do not overtighten the compression nut.
- Using Copper Tubing
 - Slip the compression nut and ferrule on copper tubing as shown.
- Using Plastic Tubing
 - Insert the molded end(Bulb) of the plastic tubing into the compression fitting.

CAUTION Do not use without the molded end(Bulb) of the plastic tubing.

3. Tighten the compression nut onto the compression fitting.

4. Turn water on and check for any leakage.

- You can purchase the necessary filter cartridge at the retailer where you purchased this refrigerator.
- Water line must be connected to drinkable water only.
- When pushing the Refrigerator back, make sure you don't roll over the power cord or water line (Icemaker supply line).

CAUTION

Do not use without the molded end (Bulb) of the plastic tubing (B).

1. Tighten the compression nut (B) onto the compression fitting. Do not over-tighten the compression nut (B).
2. Turn water on and check for any leakage. If you find water drops or leakage in the connection areas, turn off the main water supply. Check the connections and, if necessary, tighten.
3. Flush 1 gallon of water through the filter before drinking or using the water from the refrigerator. (Flush approximately 6 minutes.)To flush, press a large glass or cup against the water dispenser lever. Fill the glass, empty it into the kitchen sink after it is filled, and then repeat.

4. After you turn on the refrigerator, let the ice maker make ice for 1 to 2 days. Over that period of time, throw out the first 1 or 2 buckets of ice the freezer makes to ensure all impurities have been removed from the water line.

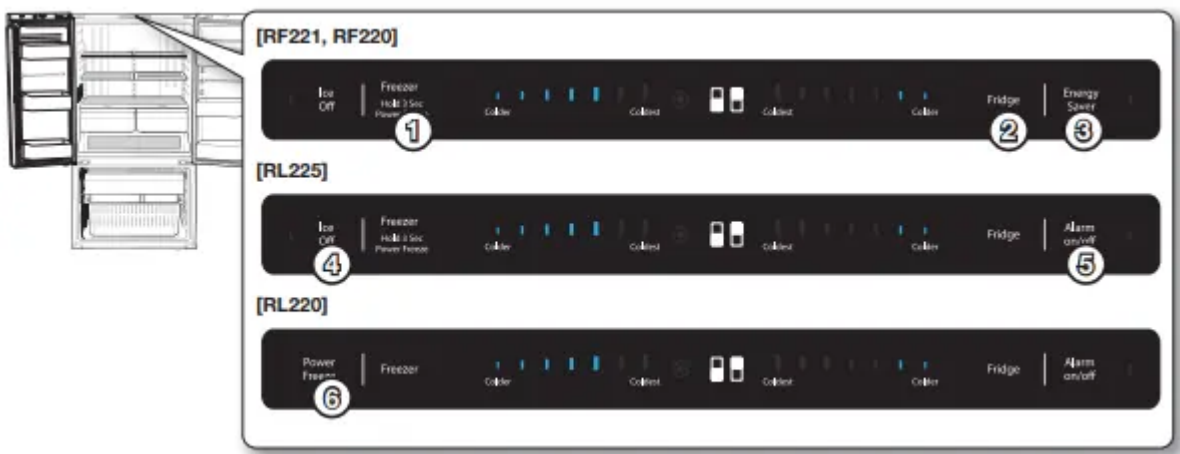
COMPLETING THE SET UP

Now that you have your new refrigerator installed in place, you are ready to set up and enjoy the features and functions of the appliance. By completing the following steps, your refrigerator should be fully operational.

1. Make sure your refrigerator is in an appropriate location with reasonable clearance between it and the wall. Refer to installation instructions in this manual.
2. Once the refrigerator is plugged in, make sure the interior light comes on when you open the doors.
3. Set the Temperature control to the coldest temperature and wait for an hour. The freezer will get slightly chilled and the motor will run smoothly. Reset the refrigerator and freezer to the temperatures you want.
4. After you plug the refrigerator in, it will take a few hours to reach the appropriate temperature. You can store food and drinks in the refrigerator after the temperature is sufficiently cool.

Operating your French Door Refrigerator

CHECKING THE CONTROL PANEL



(1) Freezer (Hold 3 sec for Power Freeze) Press the Freezer button to set the freezer temperature between colder and coldest. Press and hold the Freezer button for 3 seconds to activate Power Freezer function which speeds up the freezing process in the freezer.

(2) Fridge Press the Fridge button to set the Fridge temperature between cold and coldest.

(3) Energy Saver For better energy efficiency, press the Energy Saver button. If condensation occurs on the doors, turn the Energy Saver Button function off.

(4) Ice Off If you don't want to make more ice, Press the Ice Off button. The LED will light up and the Ice-Maker stops making ice.

(5) Alarm On/Off Press the Alarm On/Off button to turn the door open alarm on and off.

(6) Power Freeze Press this button to activate Power Freezer function which speeds up the freezing process in the freezer.

USING THE CONTROL PANEL

Freezer/Fridge (Temperature adjustment)

Press the Freezer or Fridge button until the desired temperature is set. For lower temperature, press the Freezer or Fridge button until more LED lights (coldest). For higher temperature, press the Freezer or Fridge button until less LED lights (colder).

Each time you press the Freezer or Fridge button, temperature indicator will change in below order.

Power Freeze

RF221 / RF220 / RL225

This icon will light up when you activate the Power Freeze function. Power Freeze function generates cool air for 50 hours continuously and it makes the inside of the refrigerator cool faster. This function is useful when you make ice more quickly. When you have enough, just press and hold the Freeze (Hold 3 sec for Power Freeze) button again for 3 seconds to cancel the Power Freeze function.

RL220

This icon will light up when you activate the Power Freeze function. Power Freeze function generates cool air for 50 hours continuously and it makes the inside of the refrigerator cool faster. When you have enough, just press the Power Freeze button again to cancel the Power Freeze function.

- When you use this function the energy consumption of the refrigerator may increase. Remember to turn it off when you do not need it and return the freezer to your original temperature setting.

Energy Saver

This LED will light up when you activate the Energy Saver function. The Energy Saver function is automatically set to "ON" when power is supplied to the Refrigerator. If condensation occurs on the doors, turn the Energy Saver function off.

- In some places, water drop may be generated on the door part. In this case, it is recommended to turn off the Energy saver function.

Ice Off

This LED will light up when you activate the Ice Off function. In this case, the ice will not be produced.

Alarm On/Off

If the door alarm is set to On, an alarm beeps if any refrigerator door is left open for more than three minutes. The beeping stops when you close the door. The door alarm function is pre-set to On in the factory. You can turn it off by touching and then releasing this button. You can turn it back on in the same fashion. The LED lights up when the function is on.

Canceling cooling off mode (Freezer/Fridge Temperature Indicator moving)

- Cooling off function is for store display, and it makes the refrigerator not to generate cool air. (Only for product sold in U.S)

[RF221, RF220]



[RL225]



[RL220]



In case of Cooling off Mode, refrigerator may seem like working but it does not make cool air. To cancel this mode, press the “Cooling Off Key” at the same time for 5 seconds until “Ding-dong” sounds.

COOLING OFF KEY

RF221, RF220, RL225 Model : Ice Off + Freezer Key

RL220 Model : Power Freeze + Freezer Key

Reverse Osmosis Water Supply

IMPORTANT :

The pressure of the water supply coming out of a reverse osmosis system going to the water inlet valve of the refrigerator needs to be between 35 and 120 psi (241 and 827 kPa).

If a reverse osmosis water filtration system is connected to your cold water supply, the water pressure to the reverse osmosis system needs to be a minimum of 40 to 60 psi (276 to 414 kPa.) If the water pressure to the reverse osmosis system is less than 40 to 60 psi (276 to 414 kPa):

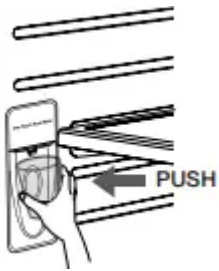
- Check to see whether the sediment filter in the reverse osmosis system is blocked. Replace the filter if necessary.
- Allow the storage tank on the reverse osmosis system to refill after heavy usage.
- If your refrigerator has a water filter, it may further reduce the water pressure when used in conjunction with a reverse osmosis system. Remove the water filter.

If you have questions about your water pressure, call a licensed, qualified plumber.

USING THE COLD WATER DISPENSER

Using the Water dispenser (RF221**)

Place a glass underneath the water outlet and push gently against the water dispenser lever with your glass. Make sure the glass is in line with the dispenser to prevent the water from splashing out.



If you have just installed the refrigerator or installed a new water filter, Flush 11 L through filter before use (flush approximately 6 minutes). Make sure water flows cleanly before drinking.

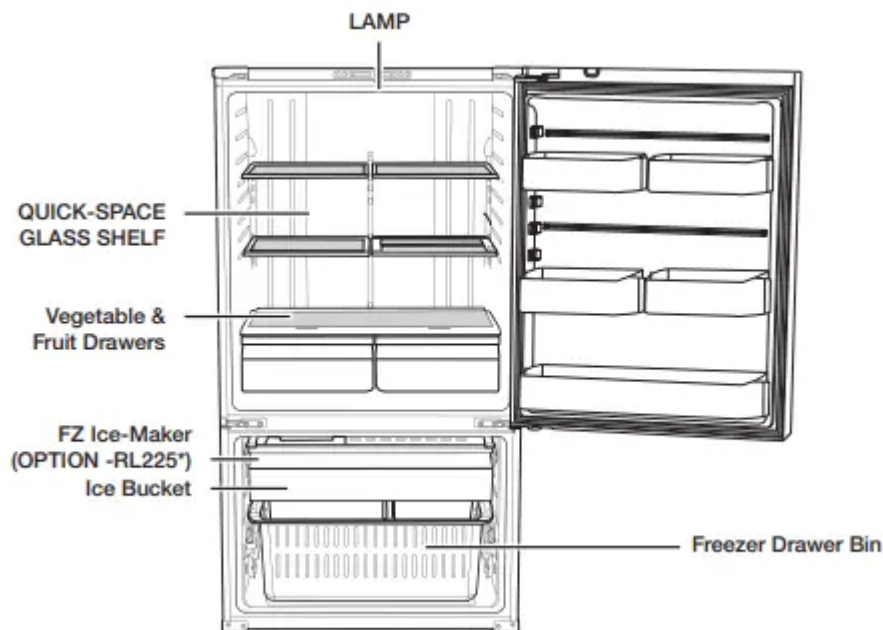
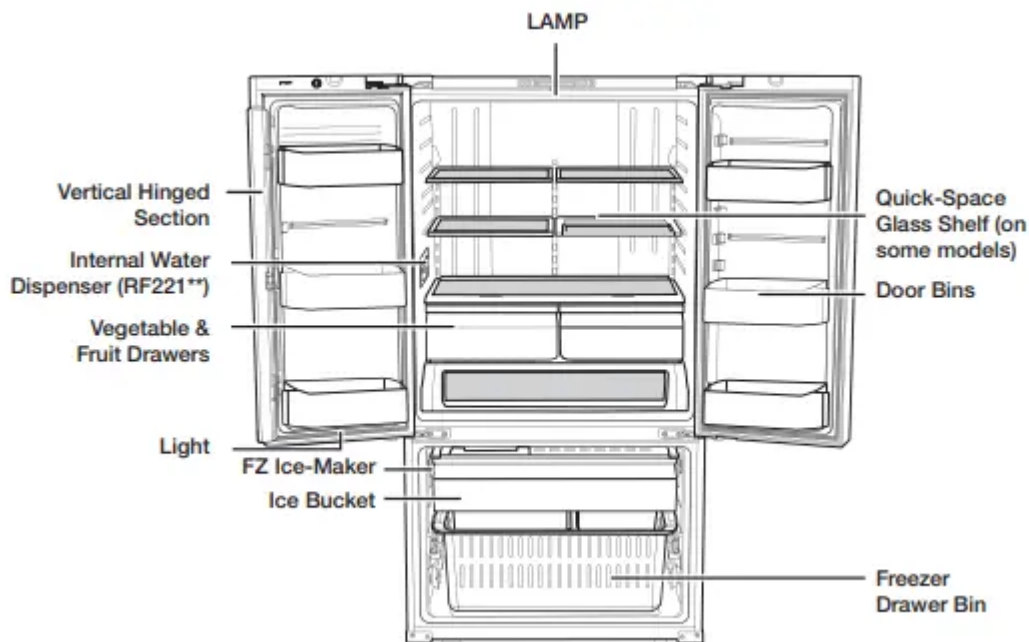
CAUTION If you have a long vacation or business trip, close the water valve and shut off the water supply to the Refrigerator. This will help prevent accidental leakages.

• **Water clouding phenomenon**

- All water provided to refrigerators flows through the core filter which is an alkaline water filter. In this process, the pressure in the water that has flowed out of the filter gets increased, and oxygen and nitrogen become saturated. When this water flows out in the air, the pressure plummets and the oxygen and nitrogen get supersaturated so that they turn into gas bubbles. The water could look misty due to these oxygen bubbles. The water may look temporarily cloudy due to these oxygen bubbles. After a few seconds, the water will look clear.
- The water tank's capacity is approximately 1 L.
- Please wait 1 second before removing the cup after dispensing water to prevent spills.

PARTS AND FEATURES

Use this page to become more familiar with the parts and features of the refrigerator



- When closing the door, make sure the Vertical Hinged Section is in the correct position to avoid scratching the other door.
- If the Vertical Hinged Section is reversed, put it back to the right position and close the door.
- Moisture may appear at times on the Vertical Hinged Section.
- The door handle may become loose over time. If this happens, tighten the bolts found on the inside of the door.
- If you close one door with a lot of force, the other door may open.

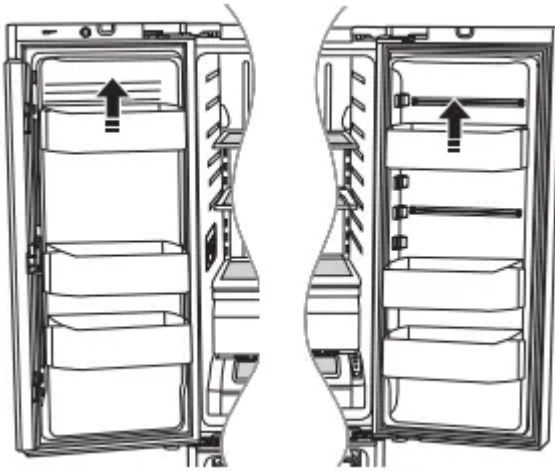
- When the interior or exterior LED lamp has gone out, please contact Samsung Customer Support.

REMOVING THE REFRIGERATOR ACCESSORIES

1. Door Bins

- **Door Bins**

- To remove - Simply lift the bin up and pull straight out.
- To relocate - Slide it in above the desired location and push down until it stops.



- Injury may occur if the door bins are not firmly assembled.
- Do not allow children to play with bins. Sharp corners of the bins may cause injury.

2. Tempered Glass shelves

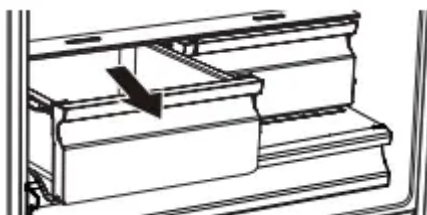
- To remove - Tilt up the front of the shelf in the direction shown (1) and lift it up vertically (2). Pull the shelf out.
- To relocate - Tilt the front of the shelf up and guide the shelf hooks into the slots at a desired height. Then lower the front of the shelf so that the hooks can drop into the slots.

3. Vegetable & Fruit Drawers

To remove - Pull the drawer out to full extension. Tilt up the front of the drawer and pull straight out.

To relocate - Insert the drawer into the frame rails and push back into place.

CAUTION The drawers need to be removed before the glass shelf above them can be lifted out.



4. Pantry (applicable models only)

- **To remove the pantry** - Pull the pantry out to full extension. Tilt up the front side of the pantry and pull straight out.



Using the doors

Ensure that the doors close all the way and are securely sealed.

When the refrigerator door is only partially open, it will automatically close. But, the door will stay open when opened more than the auto close range and you must close it manually.

REMOVING THE FREEZER ACCESSORIES

1. Ice Bucket

- **To remove** : Lift the ice bucket (1).
- **To relocate** : Place the ice bucket into the Super extended drawer (2).

2. Super Extended Drawer

To remove - Pull the drawer out to full extension. Tilt up the rear of the drawer and lift straight out.

To relocate - Place the drawer onto the rails (4) by tilting it up. Lower the drawer into place until it is horizontal and slide the Drawer (3) in.



3. Freezer Drawer

To remove the freezer drawer - Pull the freezer drawer out fully. Tilt up the rear of the bin and lift it out to remove.

To relocate the freezer drawer - Place the bin into the rail assembly.

CLEANING THE REFRIGERATOR

Caring for your Samsung French Door Refrigerator prolongs the life of your appliance and helps keep the refrigerator free of odor and germs.

Cleaning the Interior

Clean the inside walls and accessories with a mild detergent and then wipe dry with a soft cloth. You can remove the drawers and shelves for a more thorough cleaning. Just make sure to dry drawers and shelves before putting them back into place.

Cleaning the Exterior

Wipe the control panel and digital display with a damp, clean, soft cloth. Do not spray water directly on the surface of the refrigerator. The doors, handles, and cabinet surfaces should be cleaned with a mild detergent and then wiped dry with a soft cloth. To keep your appliance looking its best, polish the exterior once or twice a year.



CAUTION: Do not spray water directly on the refrigerator. Use a clean, damp cloth to clean.

CAUTION: Do not use benzene, thinner, or Clorox for cleaning. They may damage the surface of the appliance and may cause a fire.

CAUTION: You can erase the printed letters on the display if you apply stainless cleaner directly to the area where the letters are printed.

If the rubber door seals are dirty, the doors may not close properly, and the refrigerator will not operate efficiently. Keep the door seals free of dust or stains by cleaning the doors with a mild detergent and damp cloth. Wipe dry with a clean, soft cloth.

Cleaning the rear side of the refrigerator

To keep cords and exposed parts free of dust and dirt accumulation. Vacuum the rear side of the appliance once or twice a year.

CAUTION: Do not remove the back cover (1). You could suffer an electric shock

FOOD STORAGE TIPS

| Foods | Refrigerator | Freezer | Storage Tips |
|--|--------------|-----------------|--|
| DAIRY PRODUCTS | | | |
| Butter | 2-3 Weeks | 6-9 Months | Wrap or cover tightly. |
| Milk | 1-2 Weeks | Not recommended | Check date code. Most milk and similar products are sold in date-coded cartons that indicate a product's peak freshness. Re-seal with cap or wrap tightly. Do not return unused portions to original container. |
| Cream Cheese, cheese food, and cheese spread | 2-4 Weeks | Not recommended | Check date code. Keep all cheese tightly packed in moisture proof wrap |
| Hard Cheese (unopened) | 3-4 Months | 6 Months | |
| Hard Cheese (opened) | 2 Months | Not recommended | |
| Cottage Cheese | 10-15 Days | Not recommended | |
| Cream | 7-10 Days | 2 Months | Check date code. Most yogurt, creams, and similar products are sold in date-coded cartons that indicate a product's peak freshness. Re-seal or cover tightly. Do not return unused portions to original container. |
| Sour Cream | 2 Weeks | Not recommended | |
| Cream Dips (opened) | 1 Week | Not recommended | |
| Yogurt | 10-14 Days | Not recommended | Check date code. Keep covered. |
| Frozen Yogurt | na | 2 Months | |
| EGGS | | | |
| Eggs (uncooked) | 3-4 Weeks | Not recommended | Check date code. Store eggs in coldest part of refrigerator and in their original container. |
| Eggs (cooked) | 1 Week | Not recommended | Store in covered container |
| Leftover egg dishes | 3-4 Days | Not recommended | Store in covered container |
| FRESH FRUITS | | | |
| Apples | 1 Month | Not recommended | If storing in refrigerator, do not wash fruit before storing. Store in moisture resistant bags or containers. Wrap cut fruits. Some fruits darken when refrigerated. |
| Bananas | 2-4 Days | Not recommended | |
| Peaches, Melons, Pears, Avocados | 3-5 Days | Not recommended | |
| Berries and Cherries | 2-3 Days | 12 Months | |
| Apricots | 3-5 Days | Not recommended | |
| Grapes | 2-5 Days | na | |
| Pineapple (un-cut) | 2-3 Days | Not recommended | |
| Pineapple (cut) | 5-7 Days | 6-12 Months | |
| Citrus | 1-2 Weeks | Not recommended | Store uncovered. |
| Juice | 6 Days | Not recommended | Check date code and re-seal in original container. Do not return unused portions to original container. |
| Frozen Juice | Thawing only | 12 Months | Check date code. Do not re-freeze. |

| Foods | Refrigerator | Freezer | Storage Tips |
|--------------------------------------|--------------|-------------|--|
| FISH AND SHELLFISH | | | |
| Fish | | | |
| Fatty Fish (mackerel, trout, salmon) | 1-2 Days | 2-3 Months | Keep in original wrapper and store in coldest part of refrigerator. Package in vapor-proof and moisture proof wrap for freezer. Freeze at 0 °F (or -18 °C). Thaw in refrigerator or check date code. Freeze in original packaging. |
| Lean Fish (cod, flounder, etc) | 1-2 Days | 6 Months | |
| Frozen or Breaded | na | 3 Months | |
| Shellfish | | | |
| Shrimp (uncooked) | 1-2 Days | 12 Months | To freeze, package in vapor-proof and moisture-proof container. |
| Crab | 3-5 Days | 10 Months | |
| Cooked Fish or Shellfish | 2-3 Days | 3 Months | |
| MEAT | | | |
| Fresh, Uncooked | | | |
| Chops | 2-4 Days | 6-12 Months | Check date code for use. Store in coldest part of refrigerator in original packaging. Package in moisture-proof and vapor-proof container for freezing. Recommended refrigerator temperature 33 °F to 36 °F (or 1 °C to 2 °C) and freezer temperature 0 °F to 2 °F (or -18 °C to -16 °C) |
| Ground | 1 Day | 3-4 Months | |
| Roast | 2-4 Days | 6-12 Months | |
| Bacon | 1-2 Weeks | 1-2 Months | |
| Sausage | 1-2 Days | 1-2 Months | |
| Steak | 2-4 Days | 6-9 Months | |
| Poultry | 1 Day | 12 Months | |
| Lunch meat | 3-5 Days | 1 Month | |
| Cooked | | | |
| Meat | 2-3 Days | 2-3 Months | Check date code for use. Store in coldest part of refrigerator in original packaging. Package in moisture-proof and vapor-proof container for freezing. |
| Poultry | 2-3 Days | 4-5 Months | |
| Ham | 1-2 weeks | 1-2 Months | |

Troubleshooting

The refrigerator does not work at all or it does not chill sufficiently.

- Check if the power plug is properly connected.
- Check if the set temperature on the digital display is warmer than the freezer or fridge inner temperature. If it is, set the refrigerator colder.
- Is the refrigerator in direct sunlight or located near a heat source?
- Is the back of the refrigerator too close to the wall, preventing proper ventilation? If so, it may not be able to cool sufficiently. Keep it an appropriate distance from the wall.

The food in the fridge is frozen.

- Check if the set temperature on the digital display is too low.

- Try setting the refrigerator to a warmer temperature.
- Is the temperature in the room too low? Set the refrigerator warmer.
- Did you store the food which is juicy in the coldest part of the refrigerator? Try moving those items to the other shelves in the fridge instead of keeping them in the colder areas or bins.

You hear unusual noise or sounds.

- Check if the refrigerator is level and stable.
- Is the back of the refrigerator too close to the wall, preventing proper ventilation? Try moving the back of the refrigerator at least 2 inches from the wall.
- Was anything dropped behind or under the refrigerator?
- If you hear a “ticking” sound from inside the refrigerator, this is normal. It occurs because various parts contract or expand in response to temperature changes in the refrigerator interior.
- If it sounds as if something is hitting something else inside the refrigerator, this is normal. The sound is caused by the compressor operating at high capacity.

The cabinet-door sealing area of the appliance is hot and condensation is occurring.

- Some heat is normal as anti-condensators are installed in the vertical hinged section of the refrigerator to prevent condensation.
- Is the refrigerator door ajar? Condensation can occur when you leave the door open for a long time.

Ice Maker is not producing ice.

- Did you wait for 12 hours after installation of the water supply line before making ice?
- Is the water line connected and the shut-off valve opened?
- Did you manually stop the ice making function?
- Is the freezer temperature too warm? Try setting the freezer temperature lower

You can hear water bubbling in the refrigerator.

- This is normal. The bubbling comes from refrigerant circulating through the refrigerator.

There is a bad smell in the refrigerator.

- Check for spoiled food.
- Foods with strong odors (for example, fish) should be tightly covered.
- Clean out your freezer periodically and throw away any spoiled or suspicious food.

Frost forms on the walls of the freezer.

- Is the air vent blocked? Remove any obstructions so air can circulate freely.
- Allow sufficient space between the stored foods for efficient air circulation.

- Is the freezer drawer closed properly? If the freezer drawer is not completely closed or is blocked, humidity from outside may enter and cause severe frost to form.

Water dispenser is not functioning.

- Is the water line connected and the shut-off valve opened?
- Has the water supply line tubing been crushed or kinked?
- Make sure the tubing is free and clear of any obstruction.
- Is the water tank frozen because the fridge temperature is too low? Try selecting a warmer setting on the Digital display.

Auto close system does not work with the freezer door.

- Is there an imbalance between the right and left parts of the door?
- Open and close the door smoothly 1~2 times. After you do this, the auto close system usually works properly again
- Try opening the door smoothly to avoid unbalancing the right and the left part of the door.

Warning

This content is compiled from multiple sources and is provided for reference purposes only. It may not be complete or fully applicable to all situations. If you are unable to resolve your issue, please contact the product manufacturer or an authorized service provider for official support.