

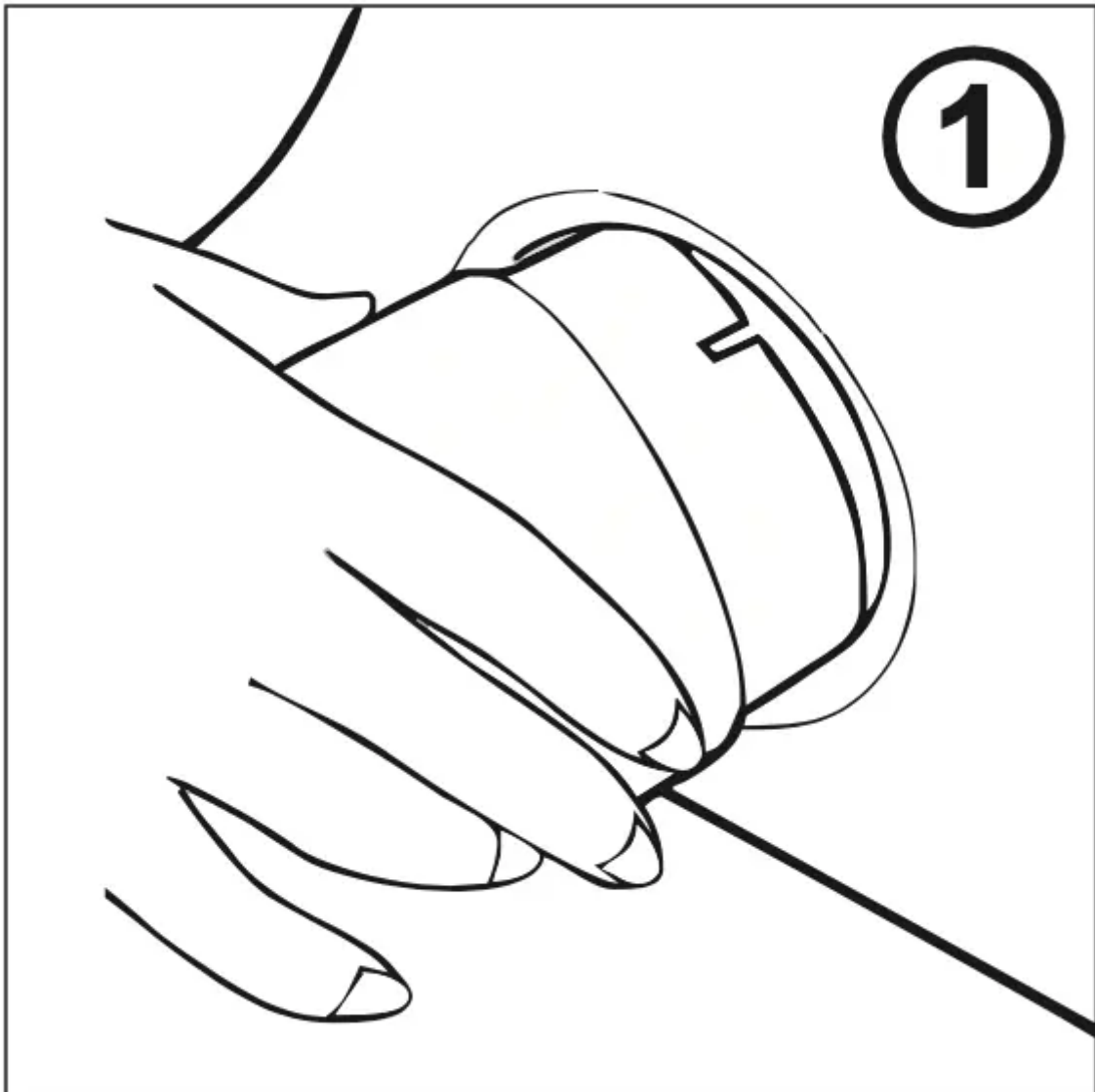
## VENTILATION

### Installation of the Discharge Hose

It is essential to use a venting hose to carry the hot moist air away from the dryer unless the dryer is situated in a open space with a good air flowaround it. Recirculation of the moist air will prevent the efficient operation of the dryer.

The hose is assembled to the machine as shown. The hose may be fitted through a wall or through an open door or window. The hose is 110mm in diameter and will extend 1.8 meters.

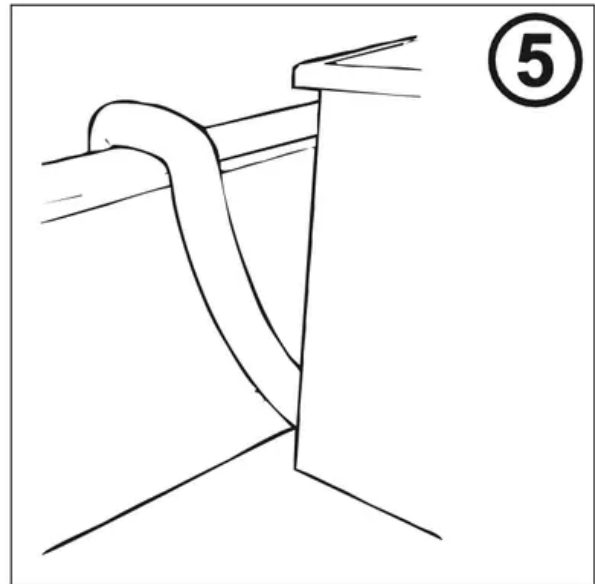
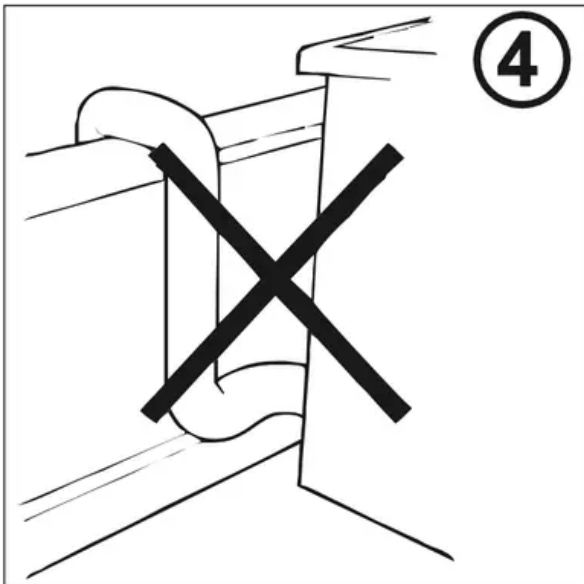
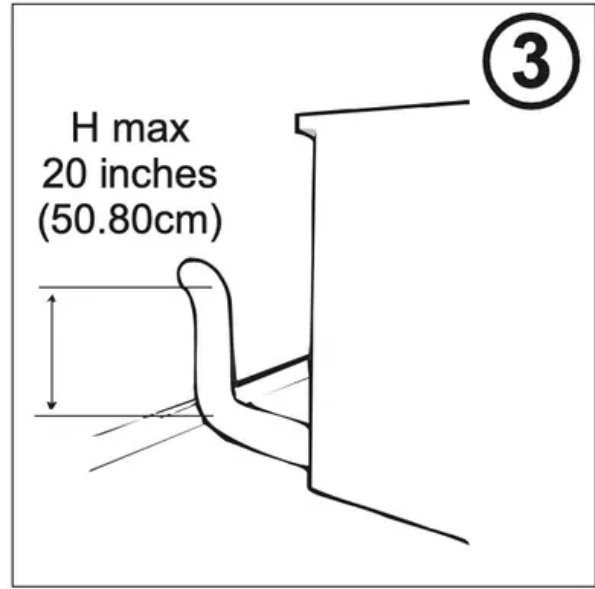
The following guidelines should be followed when installing the discharge hose.



- Do not use two hoses joined together as the drying performance will be reduced.

- Do not restrict the flow of air through the hose e.g. by kinking it or fitting a smaller diameter connector to mount to a wall opening.
- Avoid the hose making U shaped curves as this will restrict the flow of air and increase the chance that water will collect in the hose.
- Check the hose regularly to remove any build-up of fluff or water that may have collected in it.

The following diagrams give examples of good and bad installations.



## PREPARING THE LOAD

Before using the tumble dryer for the first time:

- Please read this instruction book thoroughly.
- Remove all items packed inside drum.

- Wipe the inside of the drum and door with a damp cloth to remove any dust which may have settled in transit.

## **Clothes Preparation**

Make sure that the laundry you are going to dry is suitable for drying in a tumble dryer, as shown by the care symbols on each item.

Check that all fastenings are closed and that pockets are empty. Turn the articles inside out. Place clothes loosely in the drum to make sure that they don't get tangled.

## **PREPARING THE LOAD**

Before using the tumble dryer for the first time:

- Please read this instruction book thoroughly.
- Remove all items packed inside drum.
- Wipe the inside of the drum and door with a damp cloth to remove any dust which may have settled in transit.

## **Clothes Preparation**

Make sure that the laundry you are going to dry is suitable for drying in a tumble dryer, as shown by the care symbols on each item.

Check that all fastenings are closed and that pockets are empty. Turn the articles inside out. Place clothes loosely in the drum to make sure that they don't get tangled.

## **Do Not Tumble Dry:**

Silk, nylon stockings, delicate embroidery, fabrics with metallic decorations, garments with PVC or leather trimmings.

**IMPORTANT:** Do not dry articles which have been treated with a dry cleaning fluid or rubber clothes (danger of fire or explosion).

During the last 15 minutes the load is always tumbled in cool air.

## **Energy Saving**

Only put into the tumble dryer laundry which has been thoroughly wrung or spin-dried. The drier the laundry the shorter the drying time thus saving electricity.

## **ALWAYS**

- Check that the filter is clean before every drying cycle.

## NEVER

- Put dripping wet items into the tumble dryer, this may damage the appliance.

## Sort the Load as Follows

- **By care symbols**

These can be found on the collar or inside seam:



Suitable for tumble drying.



Tumble drying at high temperature.



Tumble drying at low temperature only.



Do not tumble dry.

If the item does not have a care label it must be assumed that it is not suitable for tumble drying.

- **By amount and thickness**

Whenever the load is bigger than the dryer capacity, separate clothes according to thickness (e.g. towels from thin underwear).

- **By type of fabric**

**Cottons/linen:** Towels, cotton jersey, bed and table linen.

**Synthetics:** Blouses, shirts, overalls, etc. made of polyester or polyamid, as well as for cotton/synthetic mixes.

Do not overload the drum, large items when wet exceed the maximum admissible clothes load (for example: sleeping bags, duvets).

## CLEANING AND ROUTINE MAINTENANCE

### Cleaning the Dryer

- Clean the filter and empty the water container after every drying cycle.
- Regularly clean the condenser.
- After each period of use, wipe the inside of the drum and leave the door open for a while to allow circulation of air to dry it.
- Wipe the outside of the machine and the door with a soft cloth.
- DO NOT use abrasive pads or cleaning agents.

- To prevent the door sticking or the build up of fluff clean the inner door and gasket with a damp cloth after every drying cycle.

**WARNING!** The Drum, door and load may be very hot.

**IMPORTANT:** Always switch off and remove the plug from the electricity supply before cleaning this appliance.

For electrical data refer to the rating label on the front of the dryer cabinet (with the door open).

## DOOR and FILTER

Pull on handle to open the door.

To restart the dryer, close the door and press Start / Pause button

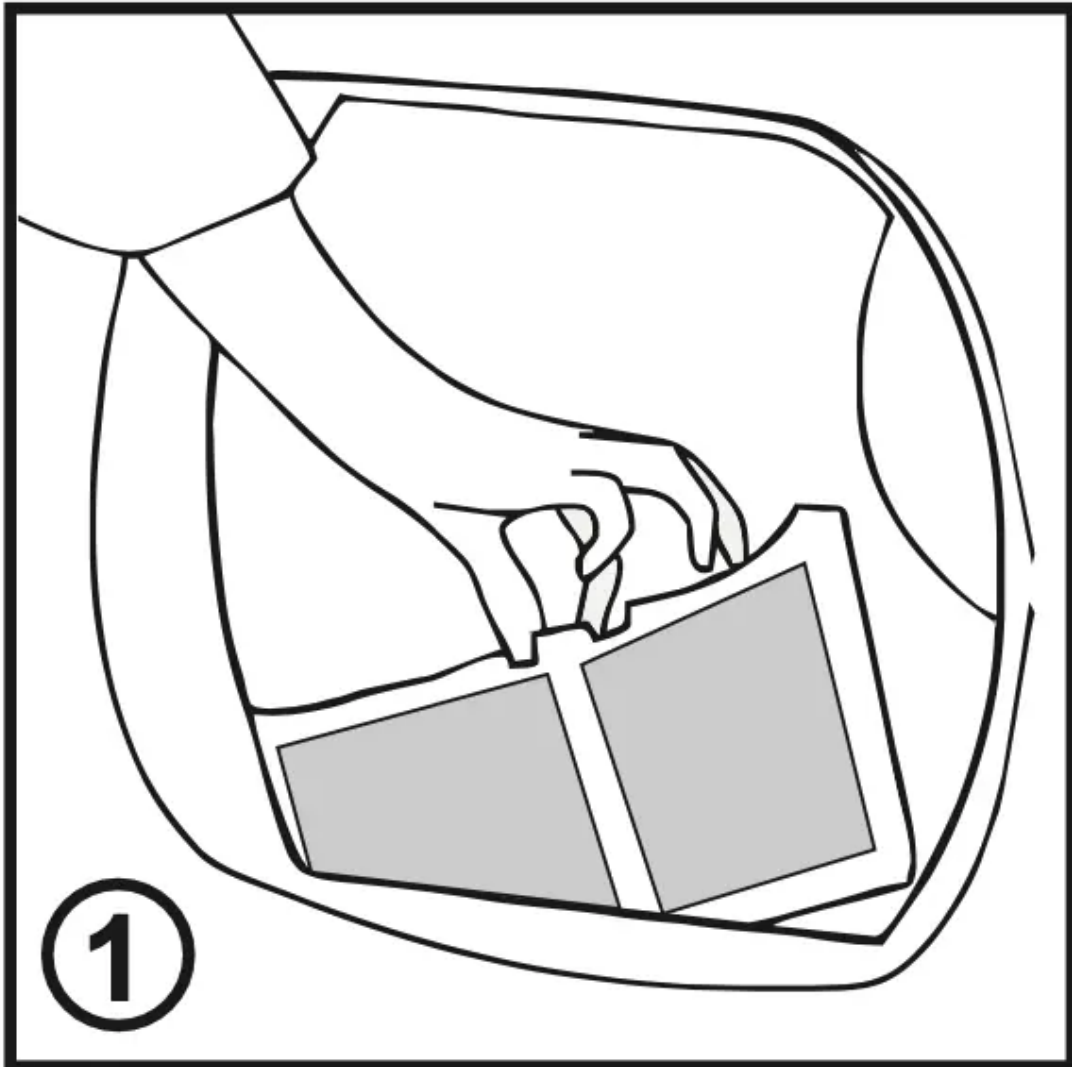


**WARNING!** When the tumble dryer is in use the drum and door may be VERY HOT.

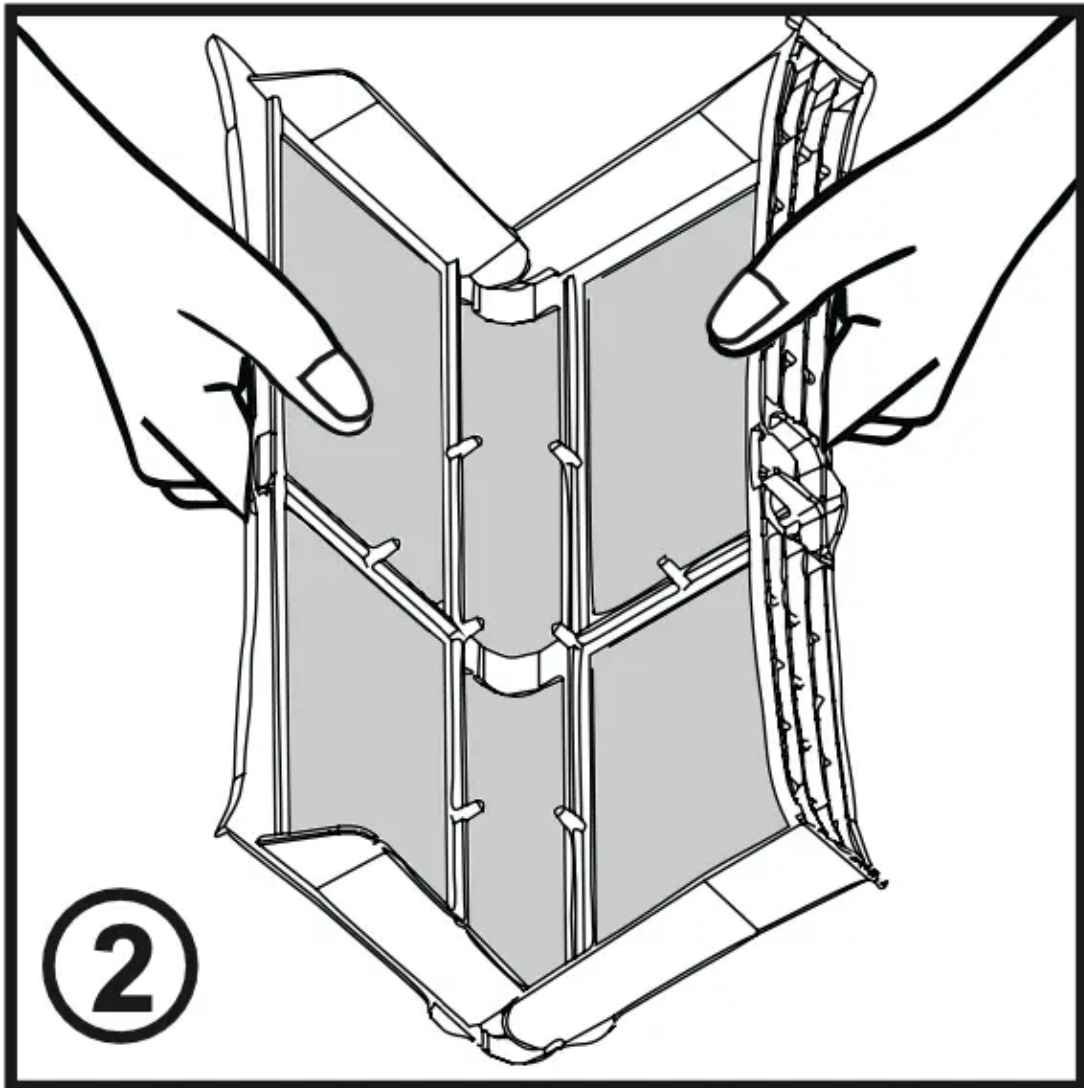
## Filter

**IMPORTANT:** To maintain the efficiency of the dryer check that the fluff filter is clean before each drying cycle.

1. Pull the filter upwards.



2. Open filter as shown.



3. Gently remove lint using a soft brush or your fingertips.

4. Snap the filter together and push back into place.

### Filter Care Indicator





Lights when the filter needs cleaning.

If the laundry is not drying check that the filter is not clogged.

**IF YOU CLEAN FILTER UNDER WATER, REMEMBER TO DRY IT.**

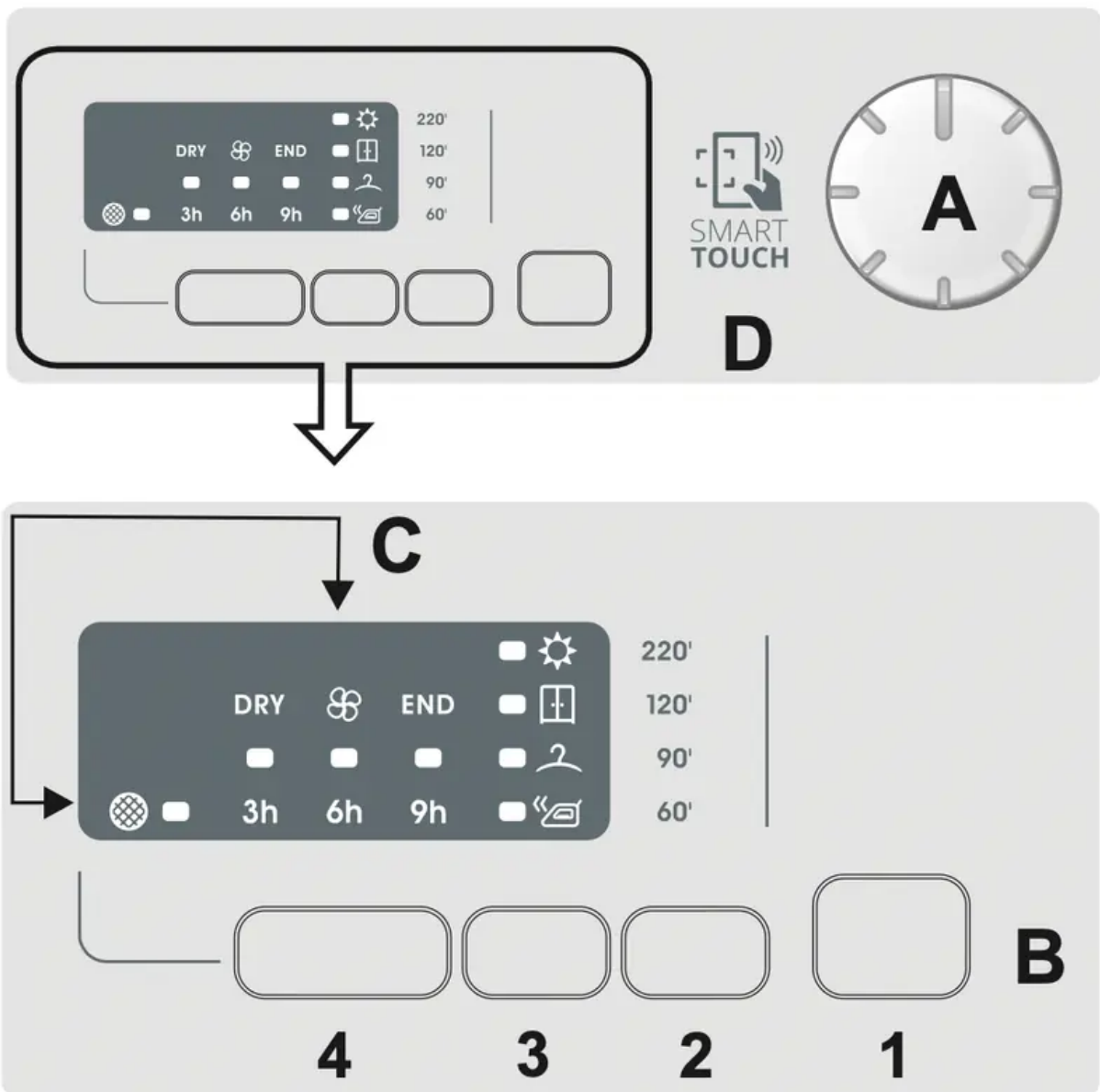
### OPERATION

1. Open the door and load the drum with laundry. Ensure that garments do not hinder closure of the door.
2. Gently close the door pushing it slowly until you hear the door 'click' shut.

3. Turn the Programme Selector dial to select the required drying programme (see Programme Guide).
4. Press the  button. The dryer will start automatically and the indicator above the button will be continuously lit.
5. If the door is opened during the programme to check the laundry, it is necessary to press  to recommence drying after the door has been closed.
6. When the cycle is nearing completion the machine will enter the cool down phase, the clothes will be tumbled in cool air allowing the load to cool down.
7. Following the completion of the cycle the drum will rotate intermittently to minimize creasing. This will continue until the machine is switched OFF or the door is opened.

Do not open the door during the automatic programs in order to obtain a proper drying.

## CONTROLS AND INDICATORS



### A - Programme Selector

Rotating the knob in both directions it's possible to select the desired drying program. To switch or cancel off the dryer rotate the knob on OFF.

### B - Buttons

#### 1. Start/Pause Button

To start the selected program and/or suspend it.

#### 2. Time cycle selection

It's possible switch a cycle from automatic to timed , up to 3 minutes after the start of the cycle. After this selection to reset the automatic drying functioning is necessary to switch off the dryer.

### 3. Drying Selection Button

It allows to set the desired dryness level (editable option up to 5 minutes after the starting of the cycle):



**Ready to Iron** : It leaves the garments slightly wet to facilitate ironing.



**Dry Hanger** : To get garment ready to be hang.



**Dry wardrobe** : For laundry that can be directly stored



**Extra-dry** : To get completely dry garments, ideal for full load.

This appliances is equipped with Drying Manager Function. On automatic cycles, each level of intermediate drying, prior to the reaching the selected one, is indicated by flashing the light indicator corresponding to the degree of drying reached.

### 4. Delay Start Button

To postpone the start of the programm for 3h, 6h, or 9h. Opening of the porthole with delayed start set, after re-closing the porthole, press start again to resume the counting. Opening of the porthole with delayed start set, after re-closing the porthole, press start again to resume the counting.

#### C - Led



**Filter cleaning** - It lights up when the cleaning of the filters is requested (the door and the lower filter.)

These control lights, light up for indicate the drying phase:

- **DRY**: It lights up when the drying cycle is running.



It light up when the cycle is in the cooling phase.

- **END**: It light up when the cycle is done.


#### D - SMART TOUCH area

Pressing the START/PAUSE button allows to a previously downloaded cycle to start whilst the Touch position is selected on the programme knob (for downloading cycles from the App see the relevant section of this user manual).

#### Maximum Drying Weight

<b>Cottons</b>	<b>Max.capacity declared</b>
<b>Synthetics or Delicates</b>	<b>Max.4 Kg</b>




## Drying Guide

The standard cycle COTTON DRY (  ) is the most energy efficient and best suited for drying normal wet cotton laundry.

The table in last page shows the approximate time and energy consumption of the main drying programmes.

Capacity (as energy label)	<b>6 kg / 7 kg</b>	<b>8 kg / 9 kg</b>
Power consumption of off-mode	0,25 W	0,20 W
Power consumption of on-mode	0,80 W	0,80 W

## SELECTING THE PROGRAMME AND SET THE FUNCTION

PROGRAM	PROGRAM DESCRIPTION	CAPACITY (kg)	DRYING TIME (min)
Super Easy Iron	A comfortable solution to dry laundry of mixed fabrics minimizing folds, delivering the perfect humidity to iron in the easier way. Before drying it's better to shake off the linens.	4	*
 Cotton	Program Eco normative (hang dry) drying. The most efficient program in energy consumption. Suitable for cottons and linens.	Full	*
Whites	The right cycle to dry cottons, sponges and towels.	Full	*
Mix & Dry	To dry all together different kind of fabrics as cotton, linen, mix, synthetics.	4	*
Synthetics	To dry delicate and synthetic fabrics that need an accurate and specific treatment.	4	*
Shirts	This specific cycle has been conceived to dry shirts minimizing tangles and folds thanks to specific movements of the drum. It's recommended to take out the linens immediately after drying cycle.	2.5	*
Coloured	A delicate and specific cycle to dry dark or colour cotton or synthetics garments.	4	*
Baby	This cycle is perfect for baby clothes, when a high hygiene level is expected.	4	150'
Jeans	Dedicated to dry uniformly fabrics like jeans or denim. It's recommended to flip over the garments before drying.	4	*
Sport	Dedicated to technical garments for sport and fitness, drying gently with special care to avoid shrinking and deterioration of elastic fibers.	4	*
Wool Finish 	Woolen clothes: the program can be used to dry up to 1 kg of laundry (around 3 jumpers). It is recommended to reverse all clothes before drying. Timing can change due to dimensions and thickness of load and to spinning chosen during washing. At the end of the cycle, clothes are ready to be worn, but if they are heavier, edges can be a bit wet: it is suggested to dry them naturally. It is recommended to unload clothes at the very end of the cycle. Attention: felting process of wool is irreversible; please dry exclusively clothes with symbol (symbol "ok tumble"); this program is not indicated for acrylic clothes.	1	70'
Rapid 45	Perfect to dry quickly up to 2 kg load. It's recommended to spin at high speed before drying.	1	*
Relax creases	This is a warm cycle that in only 12 minutes helps to relax folds and creases.	2.5	12'
Refresh	The perfect cycle to remove the bad smells from the linens smoothing creases.	2.5	20'
Smart Touch 	Customizable setting that interacts with the App on your android smartphone and to download the cycles (see the dedicated section). The factory sets the default programme Auto-Hygiene, which will sanitize the machine.		

## TROUBLESHOOTING

### FOR SMART TOUCH MODELS

The Candy simply-Fi app has a Clever Check-up function that allows you to confirm the functionality and status of the product at any time. To use the Candy simply-Fi APP you will need an Android smartphone with NFC technology.

### **More info can be found on the App.**

If the display of the machine is showing an error (by a code or blinking LEDs), you should turn on the App on your Android smartphone, with NFC on. Place your smart phone against the Smart Touch logo on the control panel. You should now be able to read the fault directory to solve the issue.

### **What Might be the Cause of...**

Defects you can remedy yourself Before calling service for technical advice please run through the following checklist. A charge will be made if the machine is found to be working or has been installed incorrectly or used incorrectly. If the problem persists after completing the recommended checks, please call Service, they may be able to assist you over the telephone.

Time display to end could change during drying cycle. The time to end is continuously checked during the drying cycle and the time is adjusted to give the best estimation time. The displayed time may increase or decrease during the cycle and this is normal.

### **Drying time is too long/clothes are not dry enough...**

- Have you selected the correct drying time/programme?
- Were the clothes too wet? Were the clothes thoroughly wrung or spindried?
- Does the filter need cleaning?
- Is the dryer overloaded?

### **The dryer does not operate...**

- Is there a working electricity supply to the dryer? Check using another appliance such as a table lamp.
- Is the plug properly connected to the mains supply?
- Is there a power failure?
- Has the fuse blown?
- Is the door fully closed?
- Is the dryer switched on, both at the mains supply and at the machine?
- Has the drying time or the programme been selected?
- Has the machine been switched on again after opening the door?

### **The dryer is noisy...**

- Switch off the dryer and contact GIAS Service for advice.

The  Indicator is on...

- Does the filter need cleaning?
- Is the venting hose kinked or blocked?

**Warning**

This content is compiled from multiple sources and is provided for reference purposes only. It may not be complete or fully applicable to all situations. If you are unable to resolve your issue, please contact the product manufacturer or an authorized service provider for official support.