

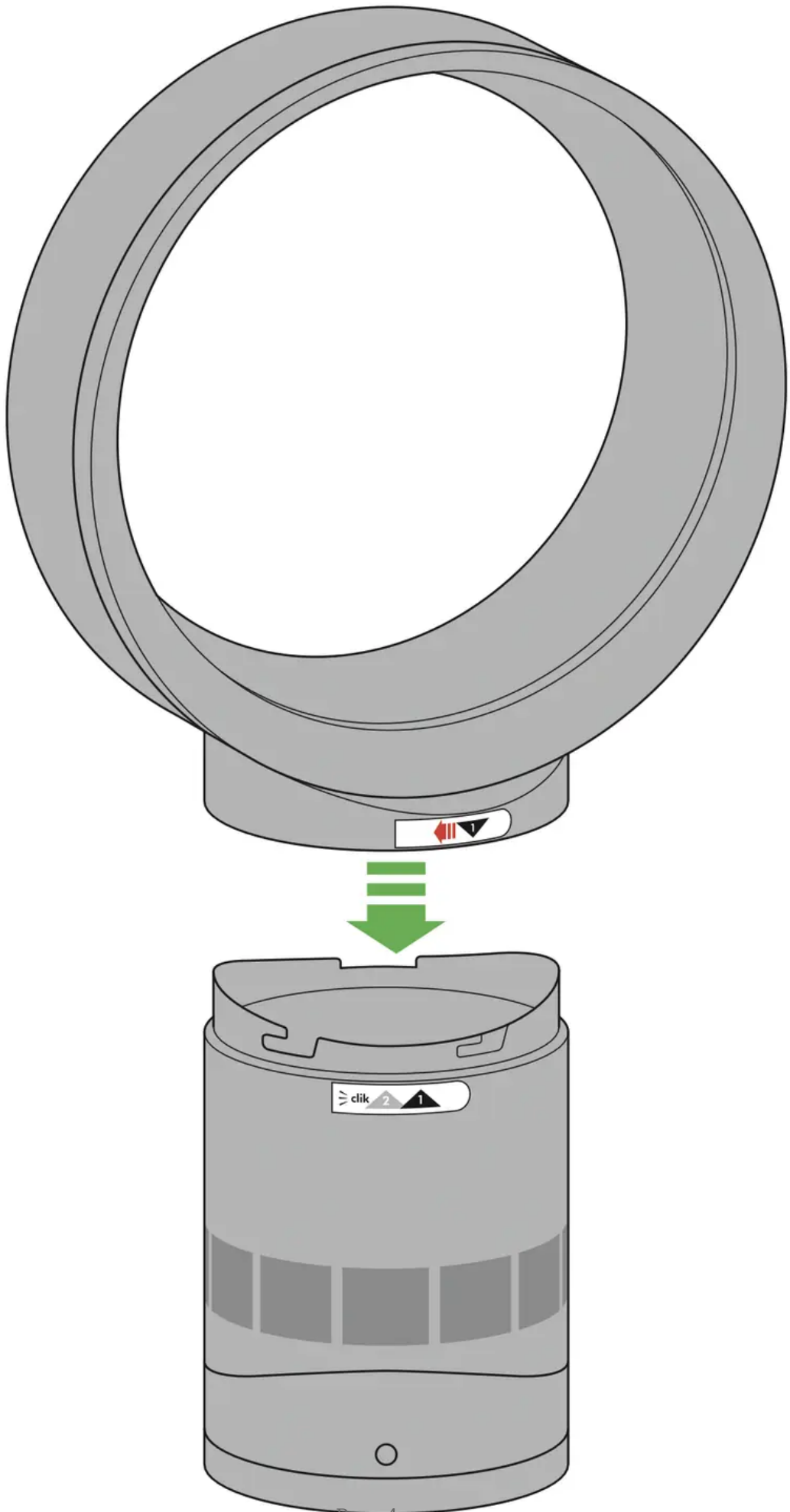
Owner Manual Fans



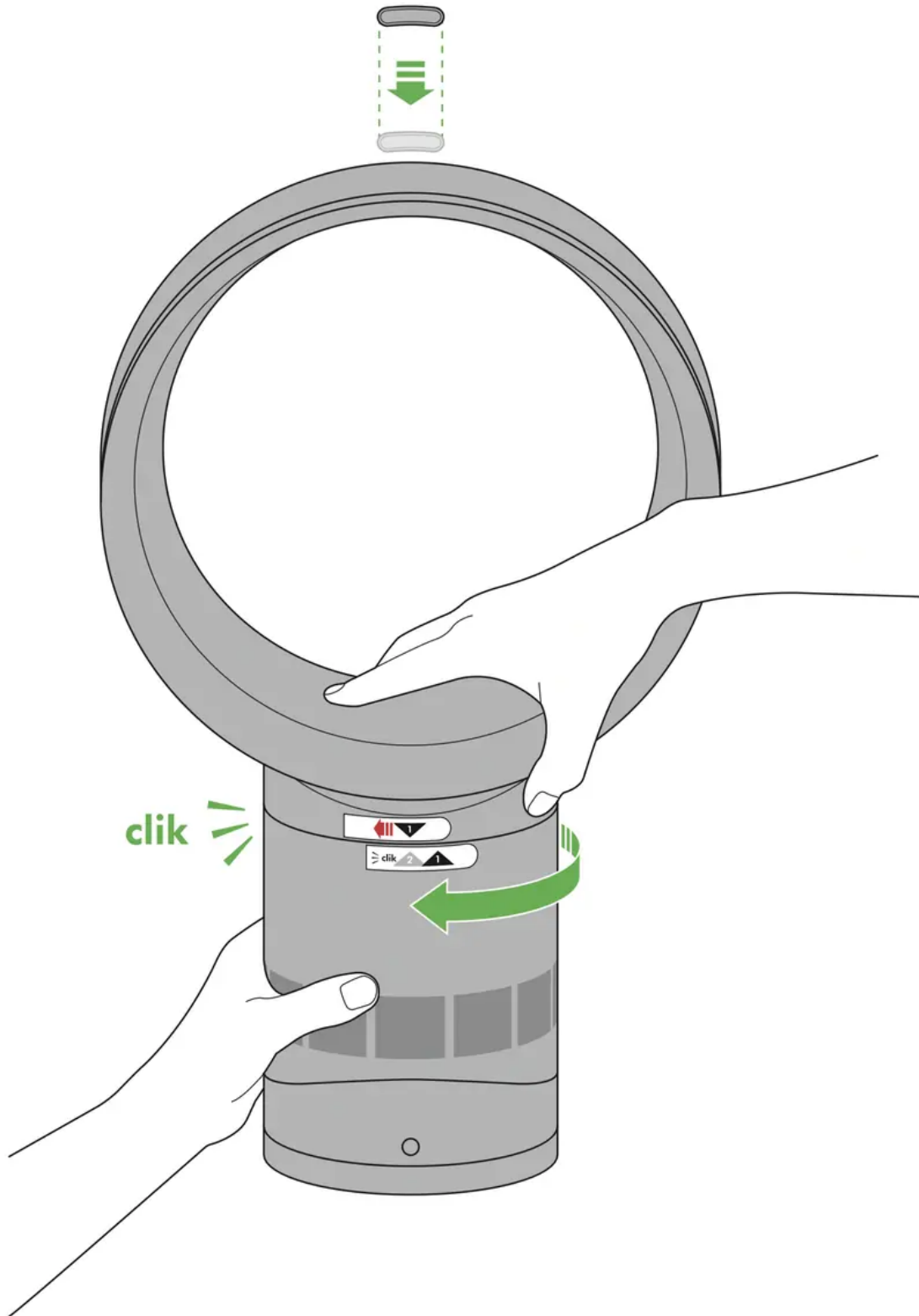
ASSEMBLY



1. Lower the loop amplifier onto the base, aligning the arrows.



2. Once aligned, turn the loop amplifier clockwise to lock.



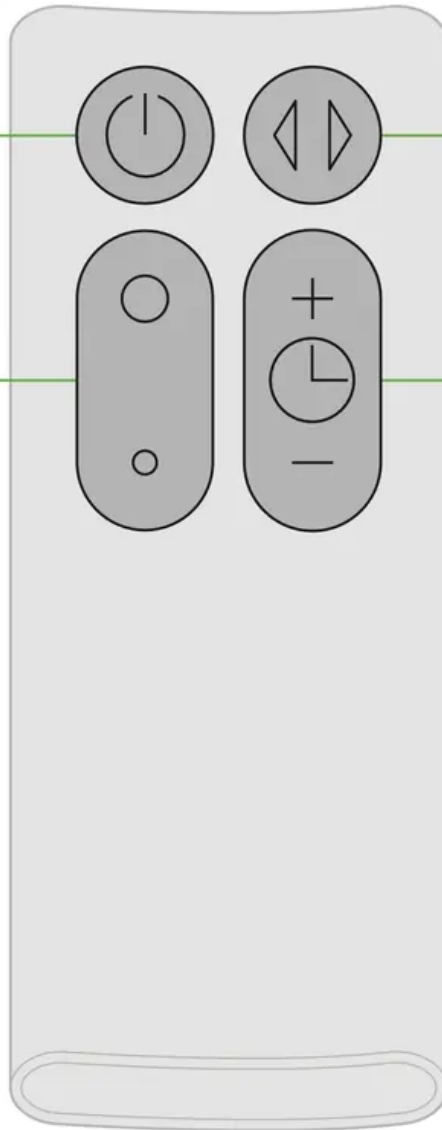
CONTROL

Standby ON/OFF
Modo en espera
activado/
desactivado

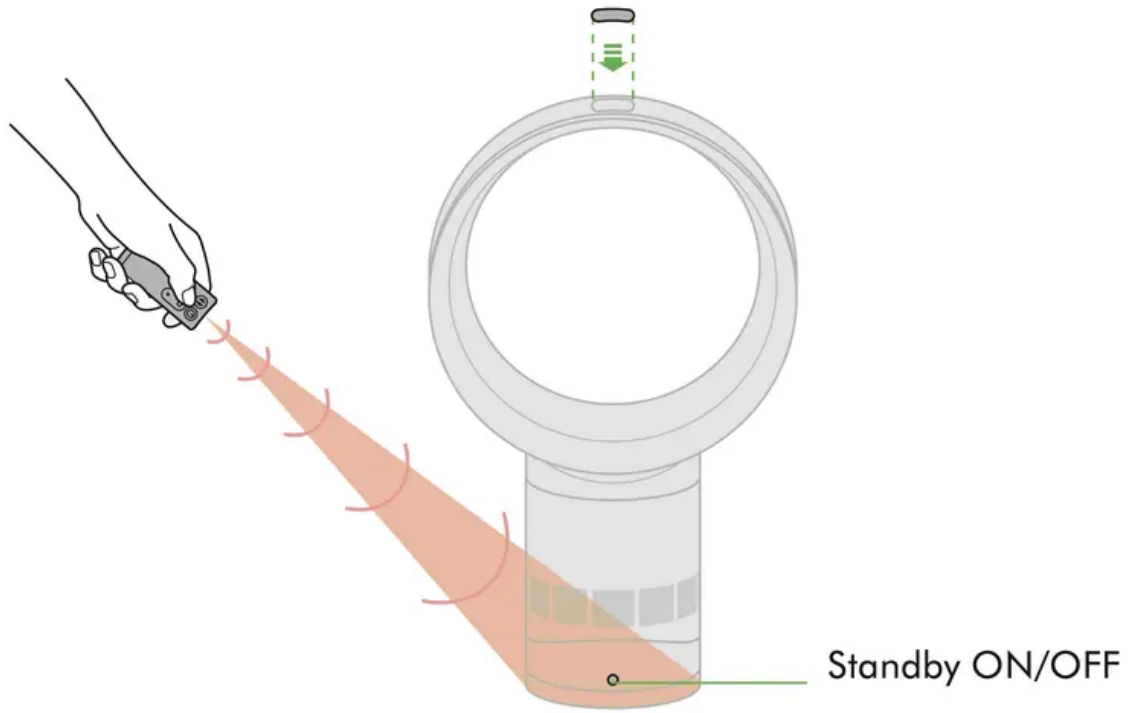
**Oscillation
ON/OFF**
Modo de oscilación
activado/
desactivado

Airflow control
Control del
flujo de aire

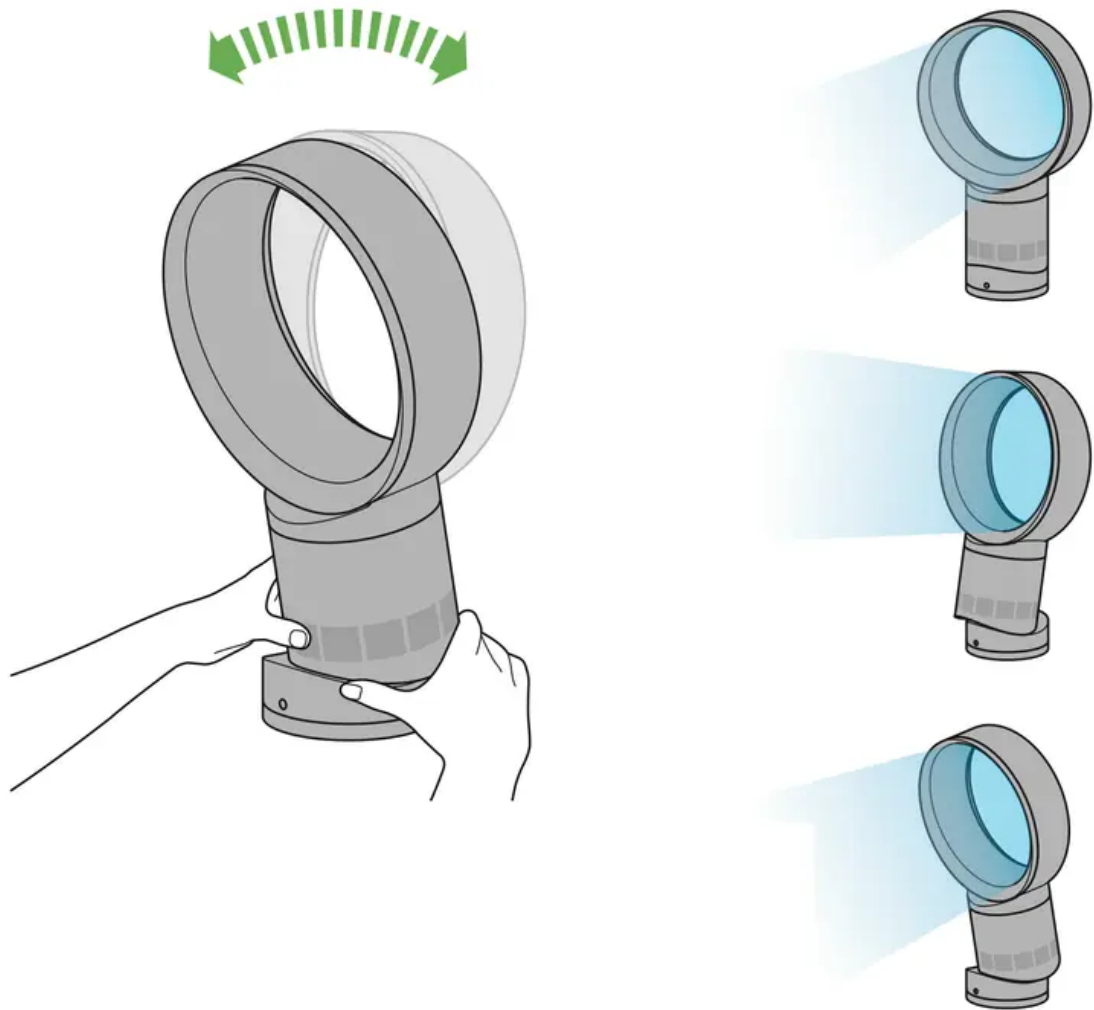
Sleep timer
Temporizador



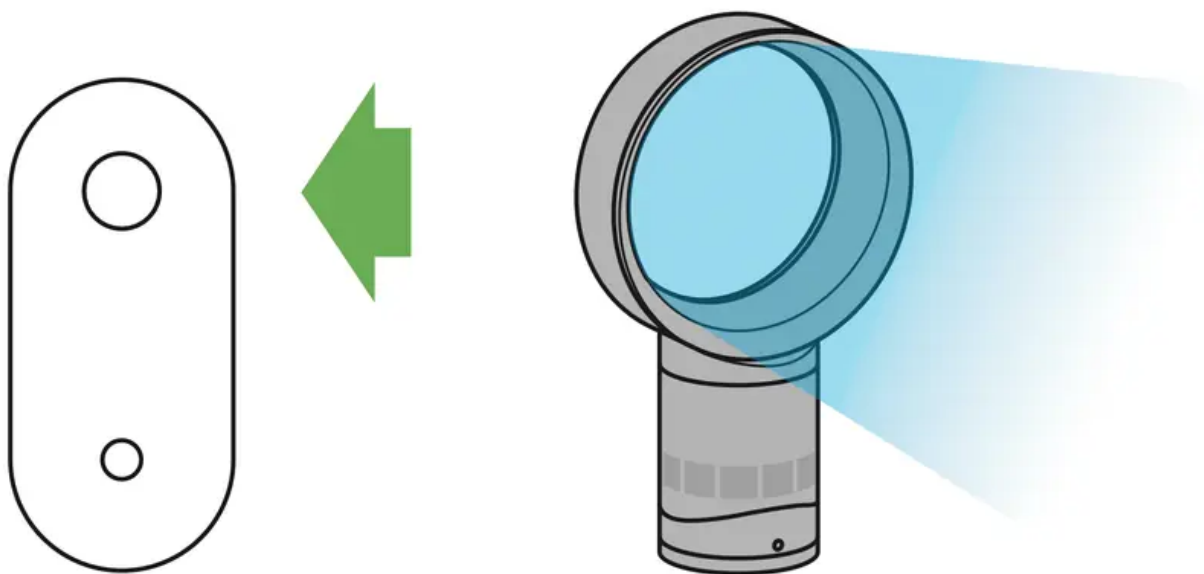
To operate, point the remote control toward the front of the base.
Attach the remote control to the top of the machine with the buttons facing down.



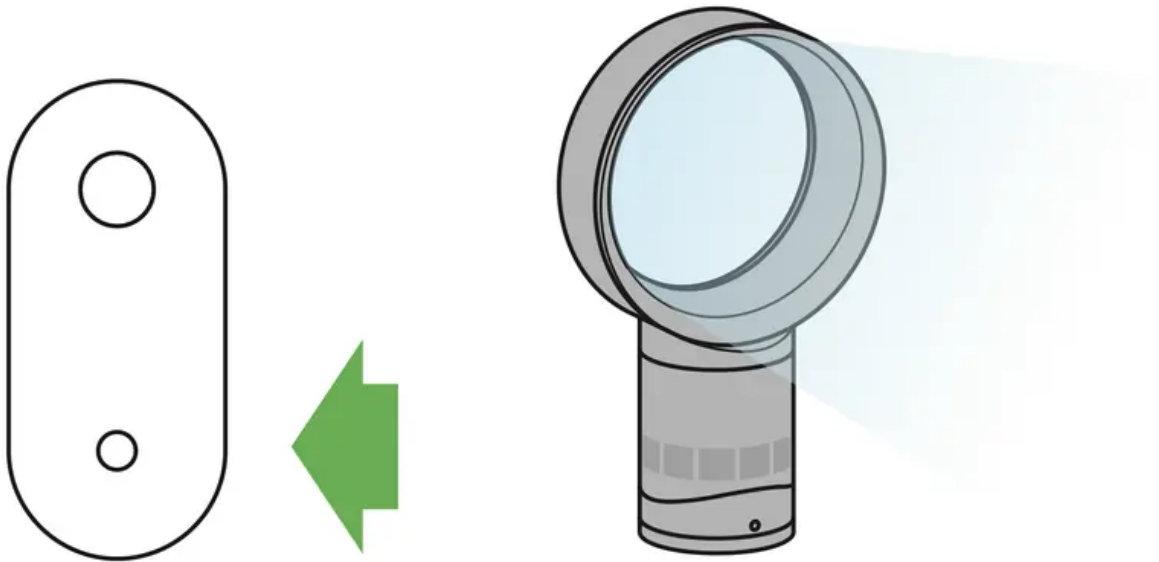
Carefully hold the base and the top of the air loop amplifier. Tilt forward or backward for the required airflow angle.



Select a high flow of air.



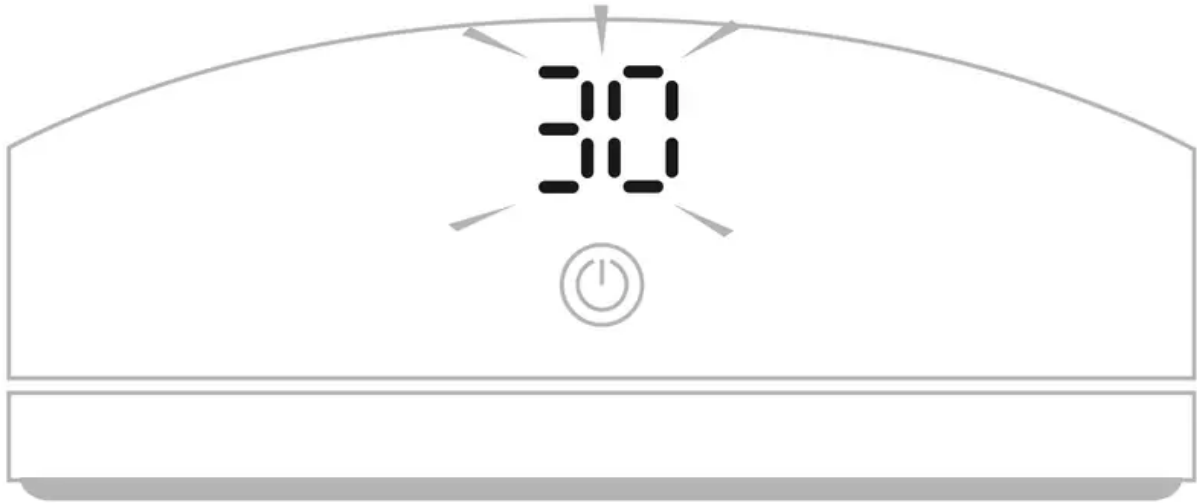
Select a low flow of air.



To set the sleep timer, select the desired time. When time reaches zero, the machine will go into standby mode.

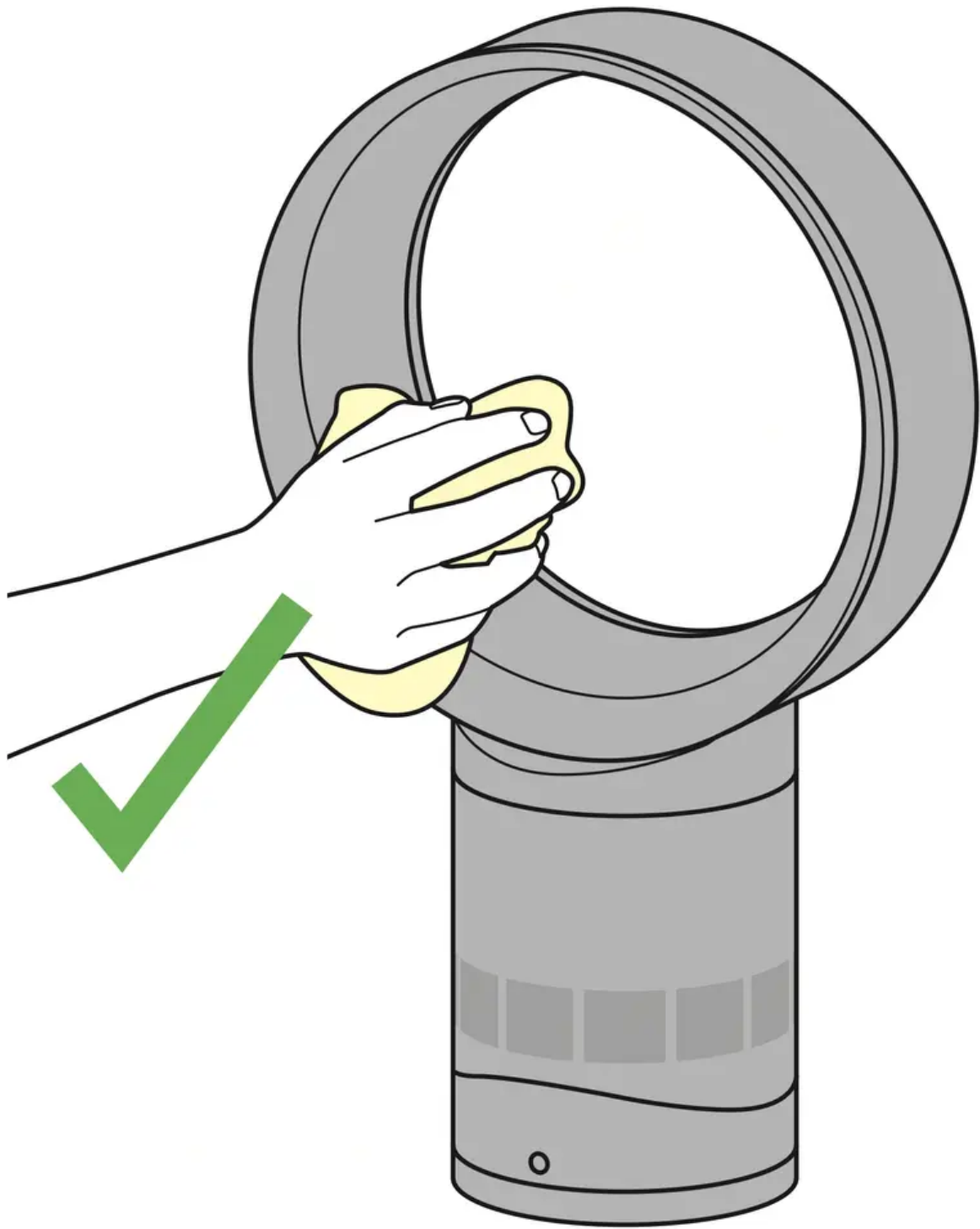
To cancel, reduce the time until two dashes appear.





CLEANING

To clean, wipe with a dry or damp cloth.

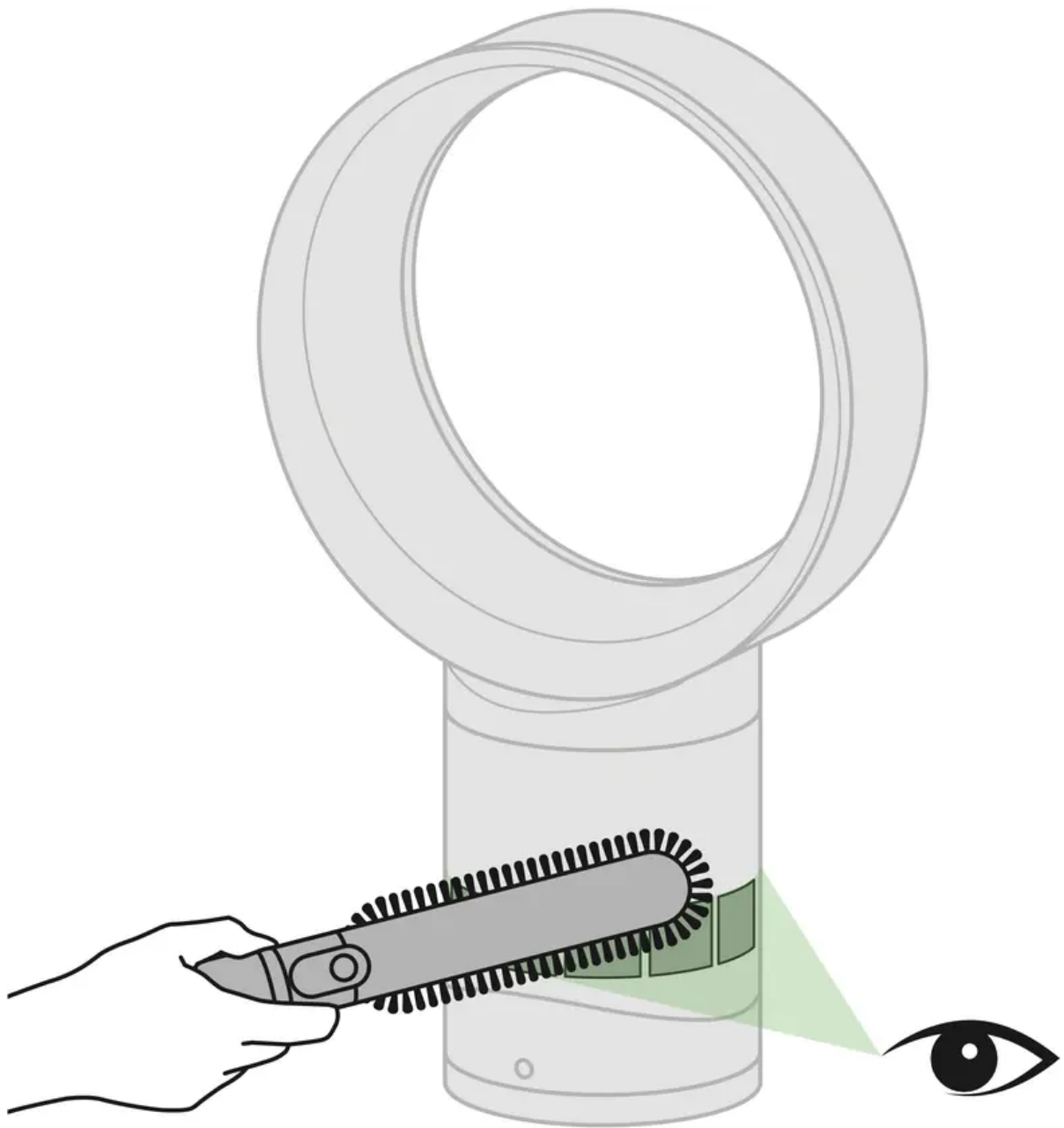


Do not use detergents or polishes to clean the machine.

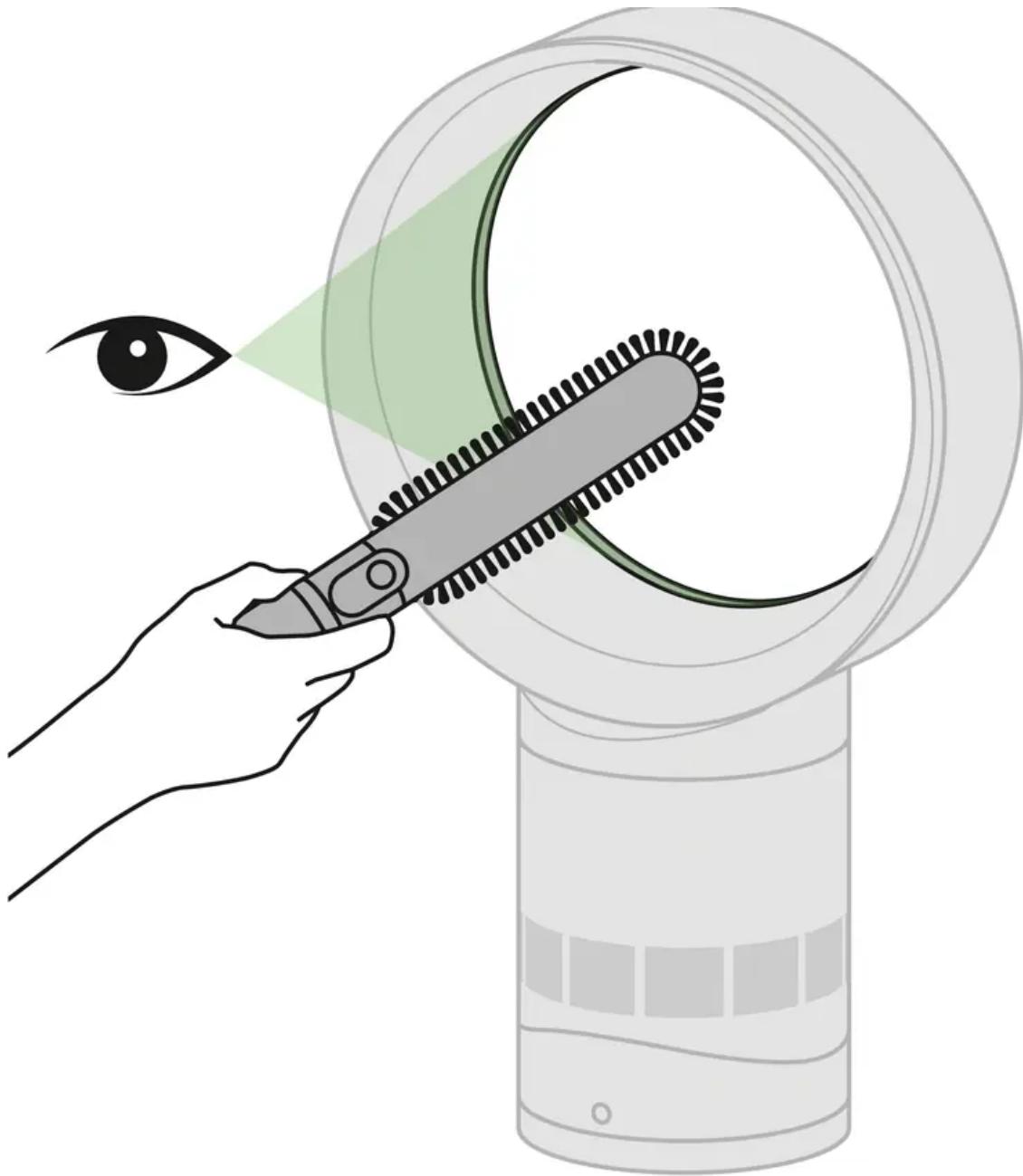


CLEARING BLOCKAGES

Look for blockages in the air inlet holes. Use a soft brush to remove debris.



Look for blockages in the small aperture inside the loop amplifier.
Use a soft brush to remove debris.

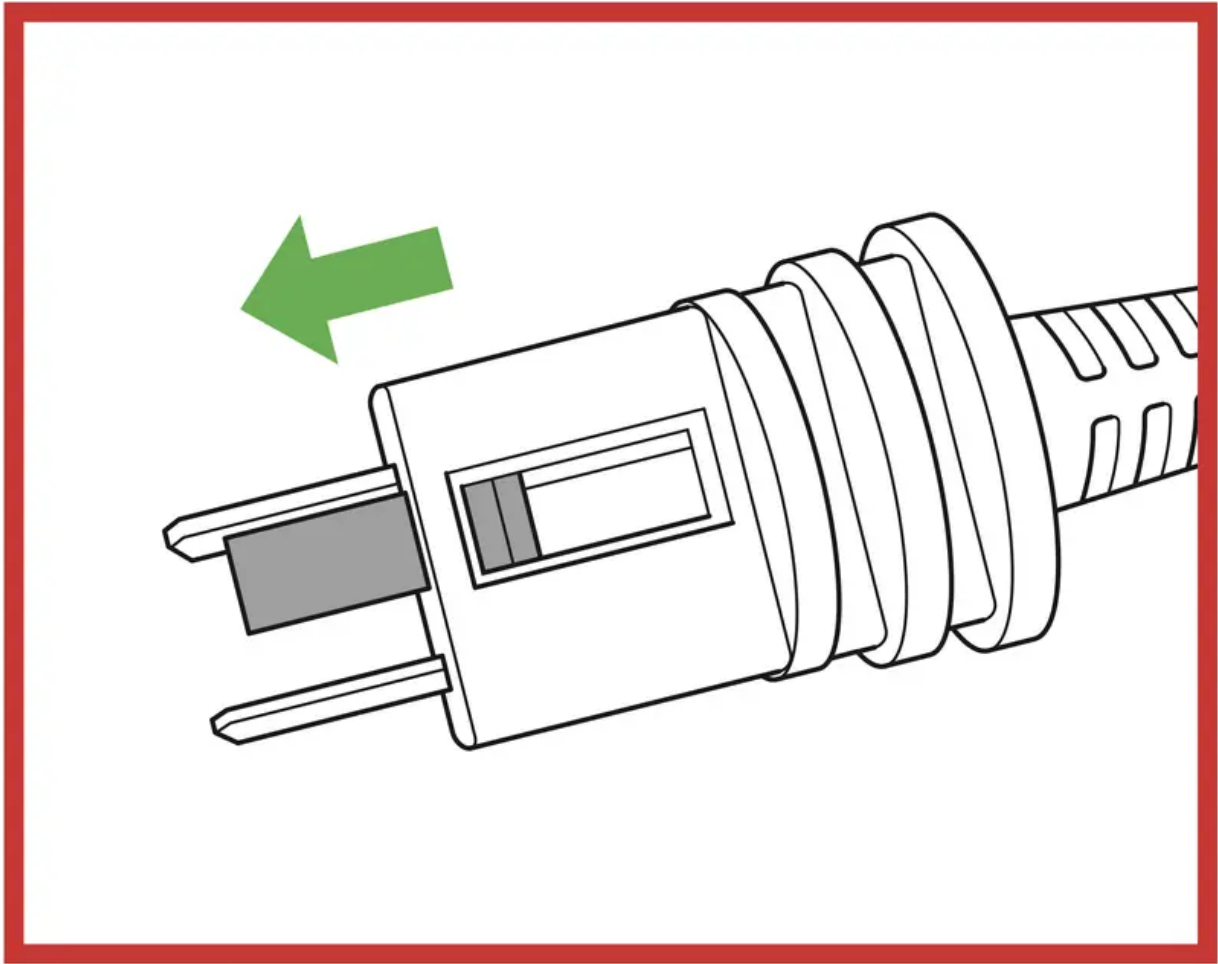


USER SERVICING INSTRUCTIONS

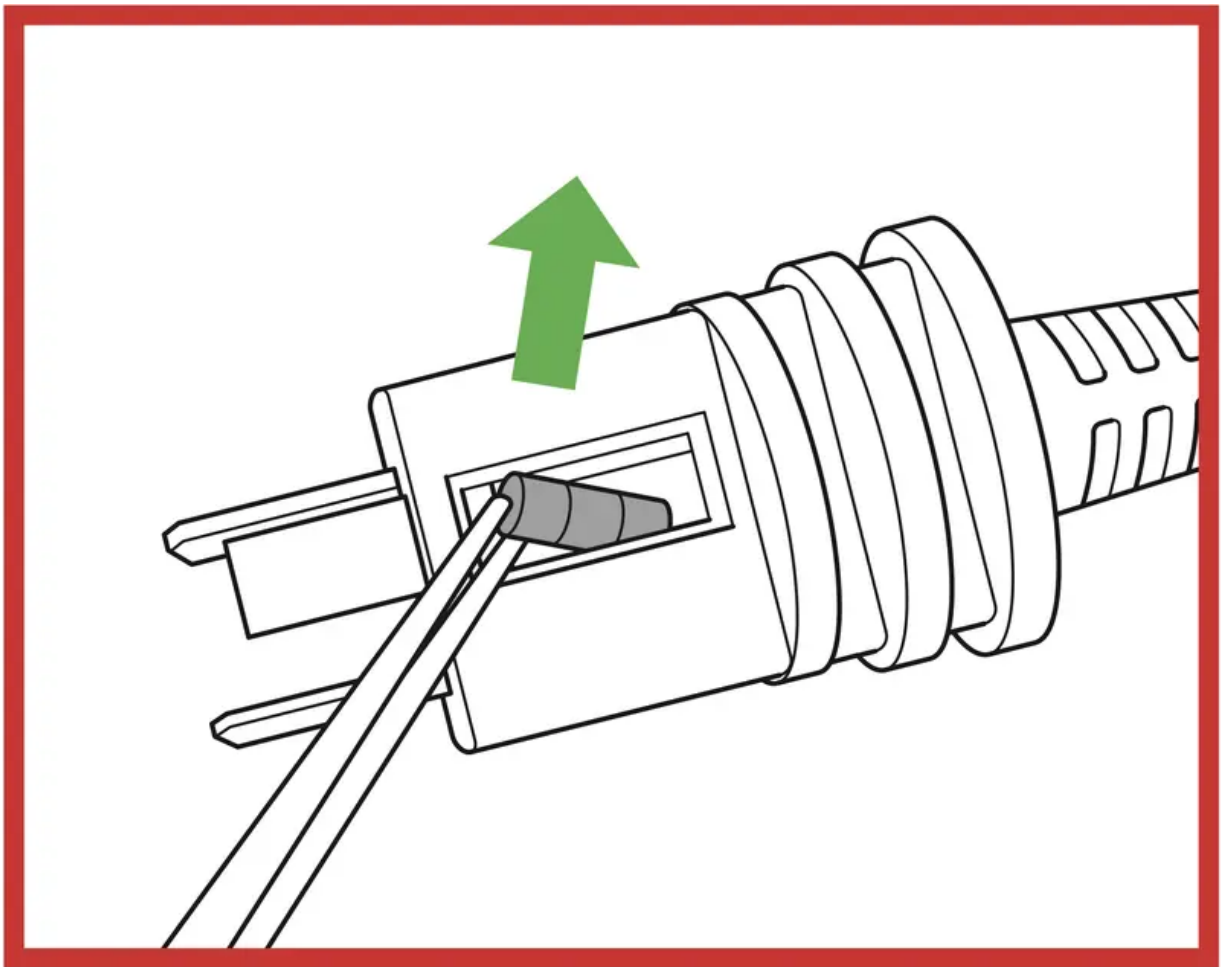
Warning - DO NOT REPLACE ATTACHMENT PLUG: Risk of fire. Do not replace attachment plug. Contains a safety device (fuse) that should not be removed. Discard product if the attachment plug is damaged.

Grasp plug and remove from the receptacle or other outlet device. Do not unplug by pulling on cord.

Slide open the fuse access cover on top of the plug towards blades.

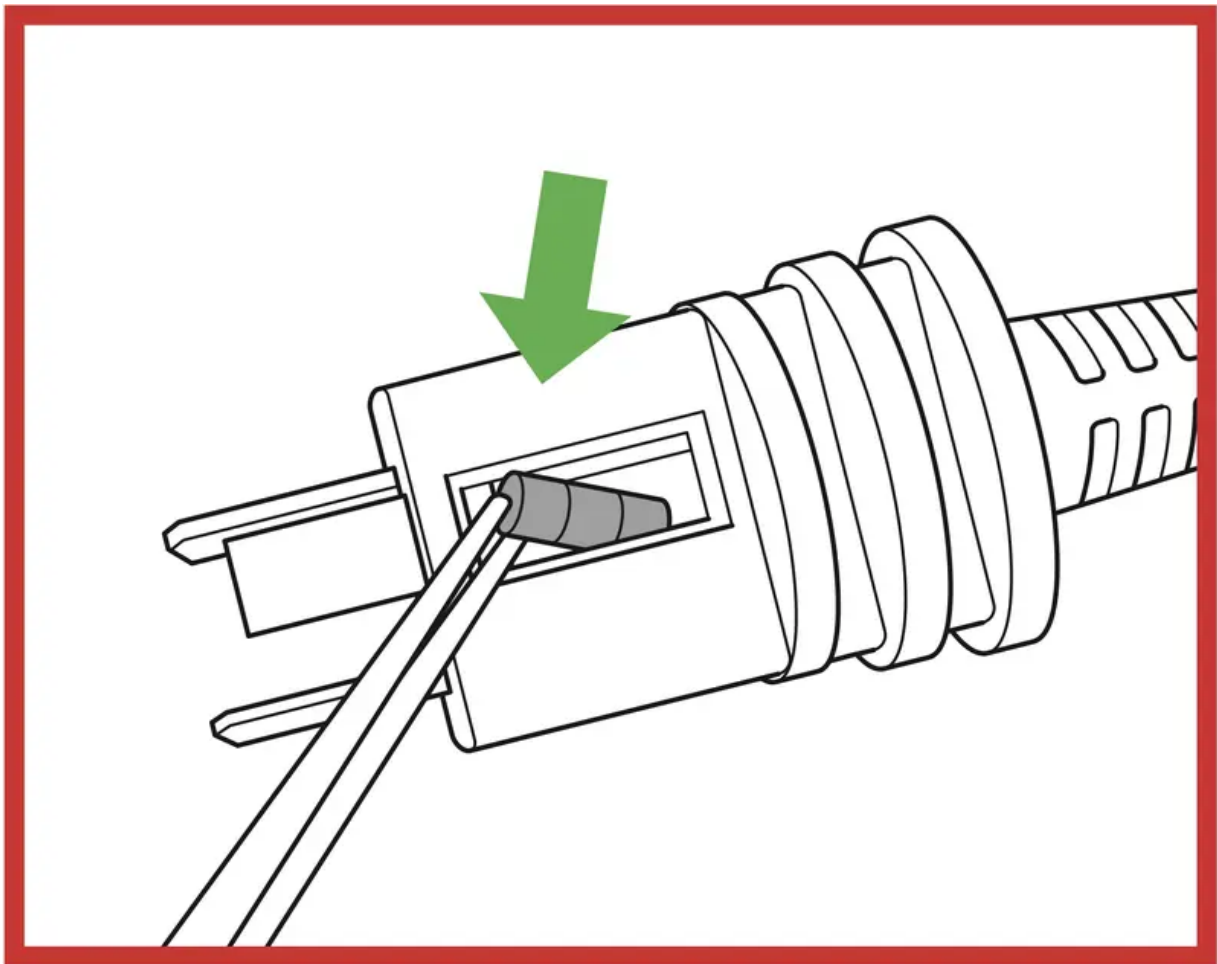


Remove fuse carefully.



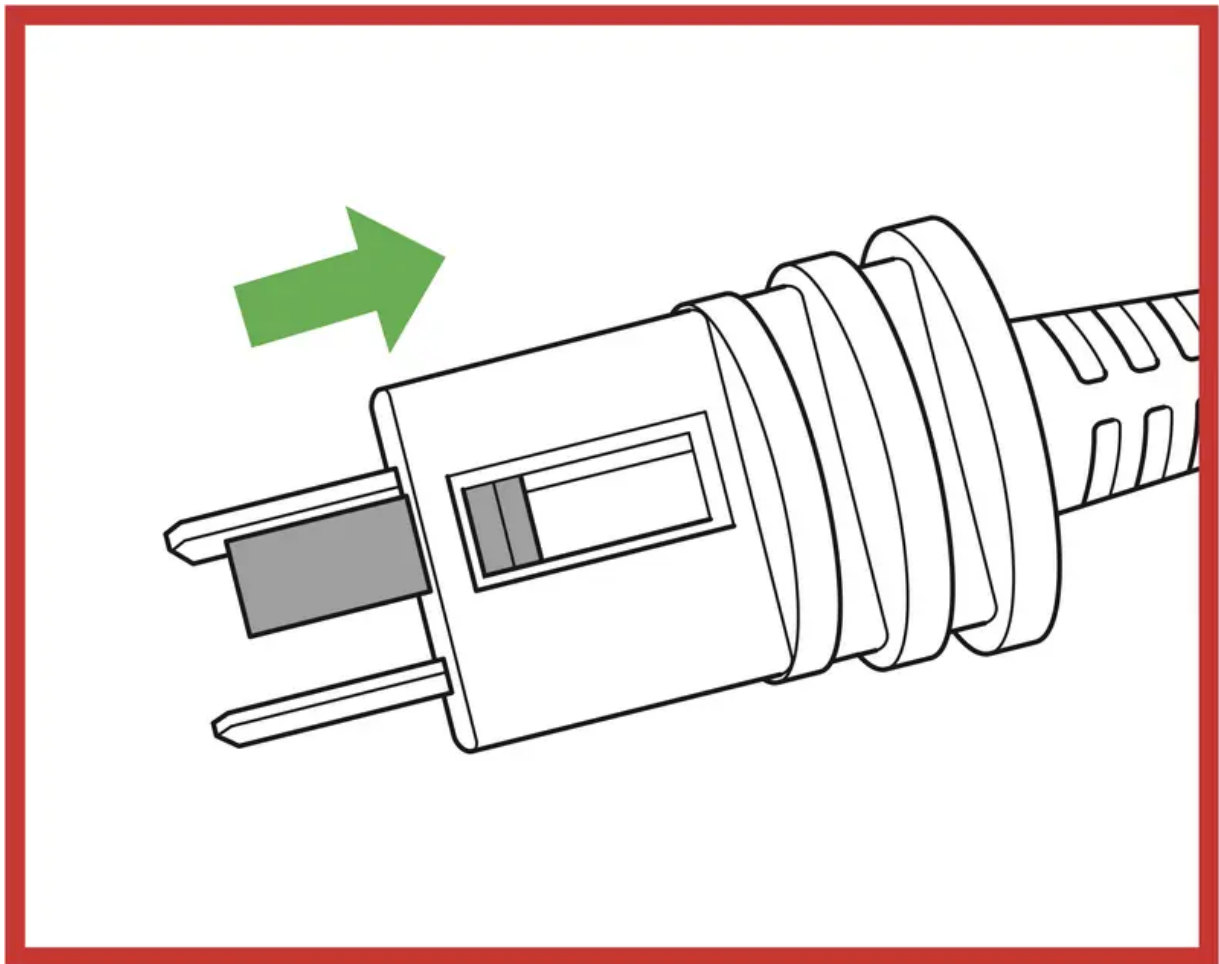
Risk of fire.

Replace fuse only with 5 Amp, 125 Volt fuse.



Close the fuse cover.

Slide closed the fuse access cover on top of the attachment plug.



USING YOUR DYSON MACHINE

LOOKING AFTER YOUR DYSON MACHINE

- Do not carry out any maintenance or repair work other than that shown and described in this Dyson Operating Manual, or advised by the Dyson Helpline.
- Always disconnect the plug from the mains outlet before inspecting for problems. If the machine will not operate, first check the mains outlet has electricity supply and that the plug is properly inserted into the outlet.
- If the fuse needs replacing, please check 'User servicing instructions'.

CONTROL WITHOUT REMOTE

- Press the Standby button on the machine to turn ON/OFF.
- Press and hold the Standby button on the machine to adjust the airflow. Airflow will increase to a maximum before decreasing.
- The oscillation function and sleep timer cannot be operated without the remote control.

BATTERY REPLACEMENT

CAUTION:

- Switch 'OFF' and unplug the machine before replacing the batteries.
- Unscrew the battery compartment on the remote control. Loosen the base and pull to remove the battery.
- Do not install backwards or short circuit the batteries.
- Do not attempt to dismantle or charge the batteries. Keep away from fire. Follow battery manufacturers' instructions when installing new batteries (battery type CR 2032).
- Limited functionality is available without the remote control (see 'Control without remote').

DYSON CUSTOMER CARE

THANK YOU FOR CHOOSING TO BUY A DYSON MACHINE

If you have a question about your Dyson machine, call the Dyson Helpline with your serial number and details of where and when you bought the machine. Most questions can be solved over the phone by one of our Dyson Helpline staff. If your Dyson machine needs service, call the Dyson Helpline so we can discuss the available options. If your Dyson machine is under warranty, and it is a covered repair, it will be repaired at no cost.

Your serial number can be found on your rating plate which is on the base of the machine.

PLEASE REGISTER AS A DYSON MACHINE OWNER

- To help us ensure you receive prompt and efficient service, please register as a Dyson machine owner. There are three ways to do this:
- Online at www.dyson.com Telephone the Dyson Helpline, 866-277-9896.
- Complete the enclosed Warranty Form and mail it to us.
- This will confirm ownership of your Dyson machine in the event of an insurance loss, and enable us to contact you if necessary.

WHAT IS NOT COVERED

- Dyson shall not be liable for costs, damages or repairs incurred as a result of, due to, or from:
- Purchases of machines from unauthorized dealers.
- Careless operation or handling, misuse, abuse and/or lack of maintenance or use not in accordance with the Dyson Operating Manual.
- Use of the machine other than for normal domestic purposes within the United States, e.g. for commercial or rental purposes.
- Use of parts not in accordance with the Dyson Operating Manual.
- Use of parts and accessories other than those produced or recommended by Dyson.
- External sources such as weather, electrical outages or power surges.

- Repairs or alterations carried out by unauthorized parties or agents.
- Clearing blockages from your machine.
- Normal wear and tear (e.g. fuse etc.).
- Reduction in battery discharge time due to battery age or use (where applicable).
- Additionally, this limited warranty does not apply to any machine that has had the serial number altered or removed.

IMPORTANT SAFETY INSTRUCTIONS

BEFORE USING THIS MACHINE READ ALL INSTRUCTIONS AND CAUTIONARY MARKINGS IN THIS MANUAL AND ON THE MACHINE

When using an electrical machine, basic precautions should always be followed, including the following:

WARNING - THE FAN AND THE REMOTE CONTROL BOTH CONTAIN MAGNETS:

1. Pacemakers and defibrillators may be affected by strong magnetic fields. If you or someone in your household has a pacemaker or defibrillator, avoid placing the remote control in a pocket or near to the device.
2. Credit cards and electronic storage media may also be affected by magnets and should be kept away from the remote control and the top of the machine.

WARNING: These warnings apply to the machine, and also where applicable, to all tools, accessories, chargers or mains adaptors.

TO REDUCE THE RISK OF FIRE, ELECTRIC SHOCK, OR INJURY:

1. This Dyson machine is not intended for use by persons (including children) with reduced physical, sensory or reasoning capabilities, or lack of experience and knowledge, unless they have been given supervision or instruction concerning use of the machine by a person responsible for their safety.
2. Ensure machine is fully assembled in line with the instructions before use. Do not dismantle the machine or use without the loop amplifier fitted.
3. Do not allow to be used as a toy. Close attention is necessary when used by or near children. Children should be supervised to ensure that they do not play with the machine.
4. Use only as described in this Dyson Operating Manual. Do not carry out any maintenance other than that shown in this manual, or advised by the Dyson Helpline.
5. Suitable for dry location ONLY. Do not use outdoors or on wet surfaces and do not expose to water or rain.
6. Do not handle any part of the plug or machine with wet hands.

7. Do not operate any machine with a damaged cord or plug. Discard the machine or return to an authorised service facility for examination and/or repair. If the supply cord is damaged it must be replaced by Dyson, its service agent or similarly qualified person in order to avoid a hazard.
8. If the machine is not working as it should, has received a sharp blow, has been dropped, damaged, left outdoors, or dropped into water, do not use and contact the Dyson Helpline.
9. Do not stretch the cord or place the cord under strain. Keep cord away from heated surfaces.
10. Do not run cord under carpeting. Do not cover cord with throw rugs, runners or similar coverings. Do not route cord under furniture or appliances. Arrange cord away from traffic area and where it will not be tripped over.
11. Do not unplug by pulling on the cord. To unplug, grasp the plug, not the cord. The use of an extension cord is not recommended.
12. Do not put any object into openings or the inlet grille. Do not use with any opening blocked; keep free of dust, lint, hair, and anything that may reduce airflow.
13. Do not use any cleaning agents or lubricants on this machine. Unplug before cleaning or carrying out any maintenance.
14. Always carry the machine by the base, do not carry it by the loop amplifier.
15. Turn off all controls before unplugging. Unplug from outlet when not in use for extended periods. To avoid a tripping hazard, safely coil the cord.
16. Do not use near furnaces, fireplaces, stoves or other high temperature heat sources.
17. Do not use in conjunction with or directly next to an air freshener or similar products.
18. This product employs overload protection (fuse). A blown fuse indicates an overload or short-circuit situation. If the fuse blows, unplug the product from the outlet. Replace the fuse as per the user servicing instructions (follow product marking for proper fuse rating) and check the product. If the replacement fuse blows, a short-circuit may be present and the product should be discarded or returned to an authorized service facility for examination and/or repair.
19. Choking hazard – This remote control unit contains a small battery. Keep the remote control away from children and do not swallow the battery. If the battery is swallowed seek medical advice at once.

POLARIZATION INSTRUCTIONS

To reduce the risk of electric shock, this machine has a polarized plug (one blade is wider than the other). This plug will fit in a polarized outlet only one way. If the plug does not fit fully in the outlet, reverse the plug. If it still does not fit, contact a qualified electrician to install the proper outlet.

Do not attempt to defeat this safety feature and do not change the plug in any way.

Warning

This content is compiled from multiple sources and is provided for reference purposes only. It may not be complete or fully applicable to all situations. If you are unable to resolve your issue, please contact the product manufacturer or an authorized service provider for official support.

Document generated by [ManualsFile](#)

