

### Read me first

- Please read this manual before using the device to ensure safe and proper use.
- Images may vary by the product.
- Some content may differ from your device depending on the region, and is subject to change without prior notice.
- For the latest version of the manual, refer to the Samsung website
- EF-DT630 is optimised to connect with the SAMSUNG Galaxy Tab S7 and EF-DT730 is optimised to connect with the SAMSUNG Galaxy Tab S7+ and Galaxy Tab S7 FE.
- If the product is exposed to humidity or solvents such as acetone, it may get stained, wrinkled, misshapen, or change colour.
- This product includes certain free/open source software. To see the instructions for viewing the open source licence, go to the Samsung website

### Getting started

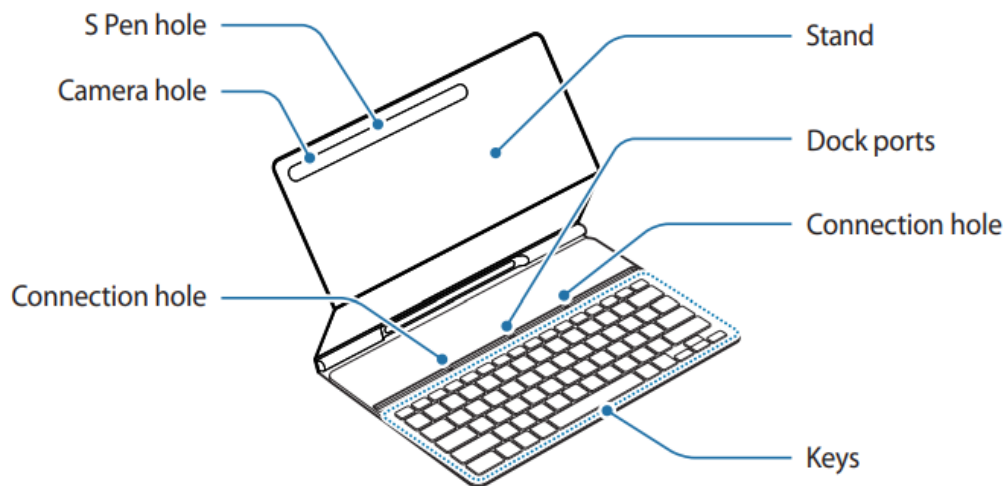
#### Package contents

- Keyboard cover
- Quick start guide



- The items supplied with the device and any available accessories may vary depending on the region or service provider.
- Appearances and specifications are subject to change without prior notice.

## Device layout



## Using the Keyboard

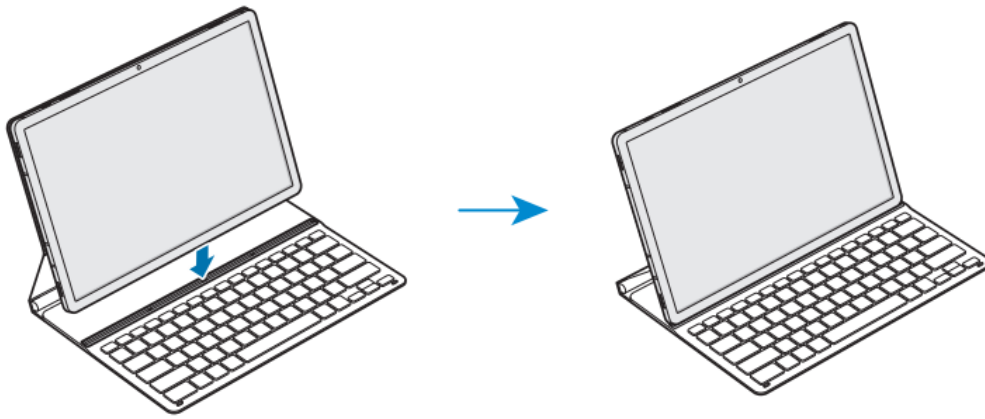
### Connecting the keyboard

1. Position the tablet's rear camera to insert it into the camera hole and put the tablet in the stand.



2. Insert the tablet into the connection hole to meet the tablet's connectors and the dock ports.

You can use the keyboard instantly.



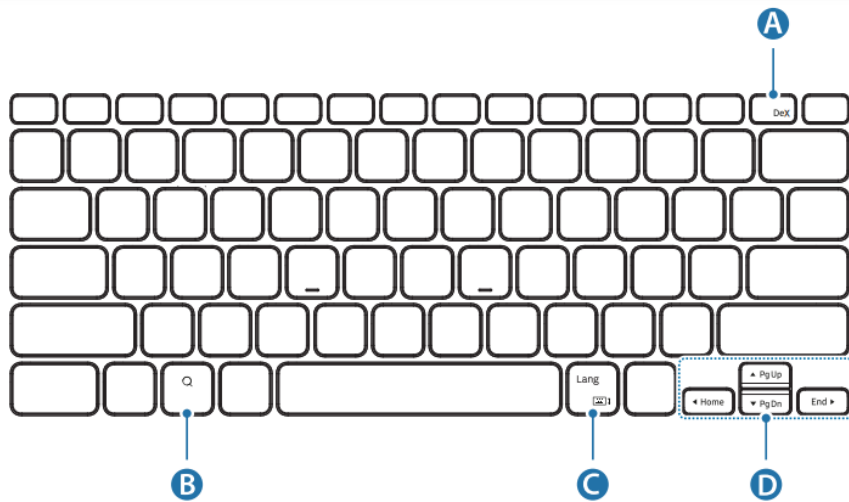
You can use the keyboard as a screen cover. The screen turns off when you cover it with the keyboard, and it turns on when you open the keyboard.




Do not apply excessive pressure on the keyboard while covering the tablet's screen. Doing so may cause screen damage.

### Using the keys

Set the input language on the tablet before you use the keyboard. For more information about setting the input language, refer to the tablet's user manual.

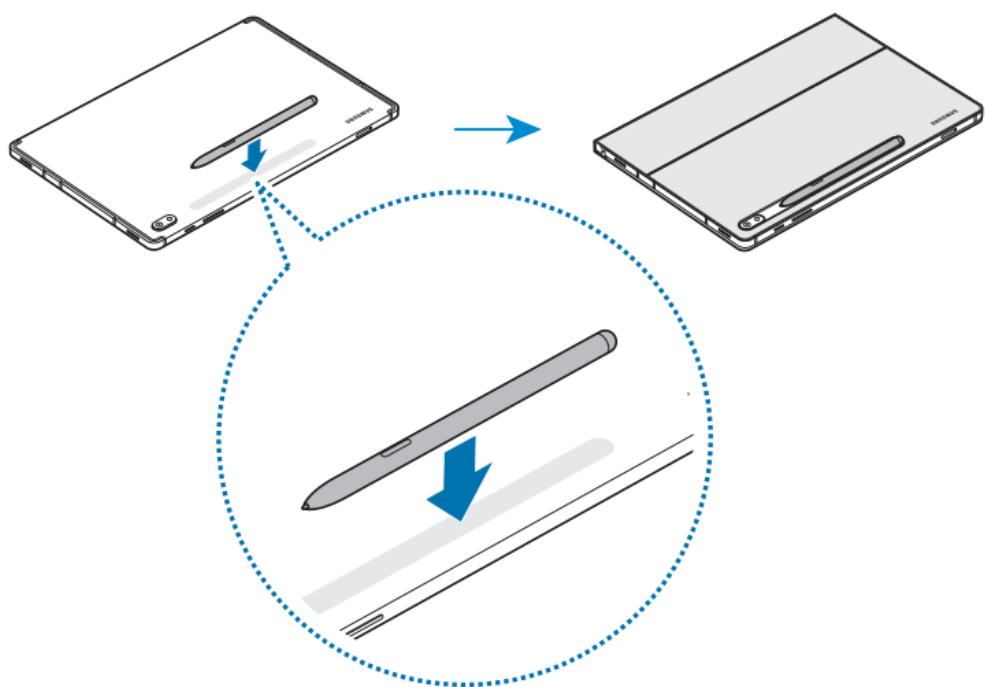


<b>A</b>	<ul style="list-style-type: none"> <li>• [Fn] + [DeX]: Launch or close Samsung DeX.</li> </ul>
<b>B</b>	<ul style="list-style-type: none"> <li>• Search the contents.</li> </ul>
<b>C</b>	<ul style="list-style-type: none"> <li>• [Lang]: Change between input languages.</li> <li>• [Fn] + : Enable or disable the on-screen keyboard.</li> </ul>
<b>D</b>	<ul style="list-style-type: none"> <li>• ▲/▼/◀/▶: Move cursor or system caret;</li> <li>• [Fn] + [▲]: Page Up</li> <li>• [Fn] + [▼]: Page Down</li> <li>• [Fn] + [◀]: Home</li> <li>• [Fn] + [▶]: End</li> </ul>

## Attaching the S Pen

Attach the S Pen to the tablet as shown in the image below.

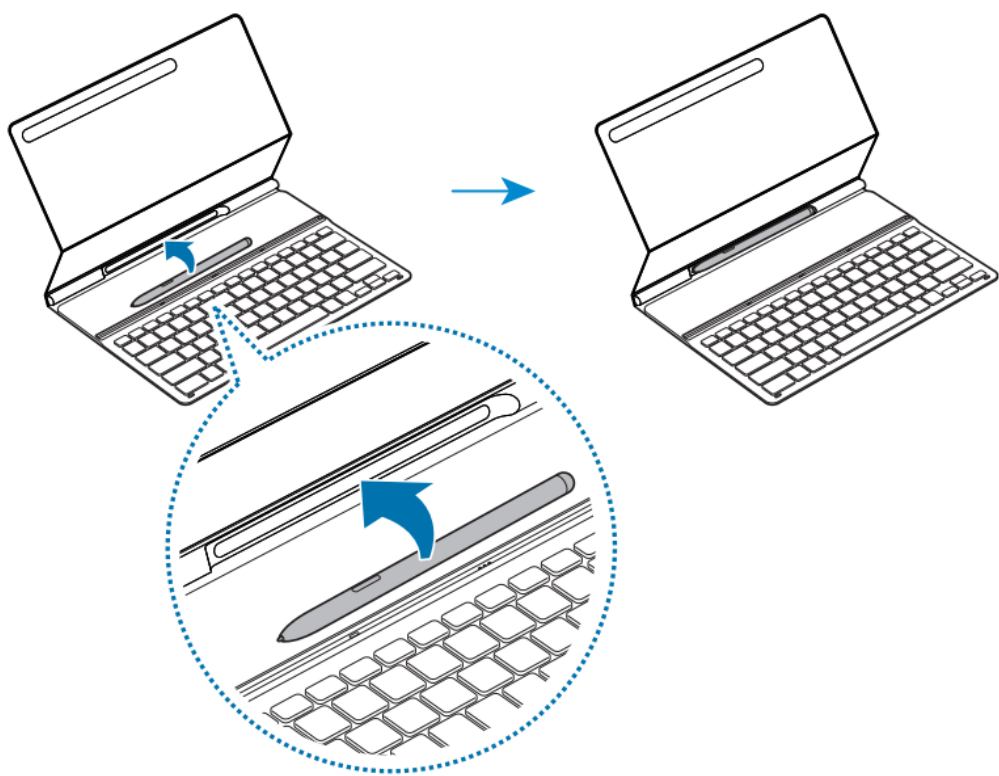
You can also attach the S Pen after covering the keyboard cover.



Make sure to place the nib of the S Pen to face the camera. The S Pen will not charge if it is misplaced

### Storing the S Pen

Store the S Pen as shown in the image below.



**Warning**

This content is compiled from multiple sources and is provided for reference purposes only. It may not be complete or fully applicable to all situations. If you are unable to resolve your issue, please contact the product manufacturer or an authorized service provider for official support.

---

Document generated by [ManualsFile](#)