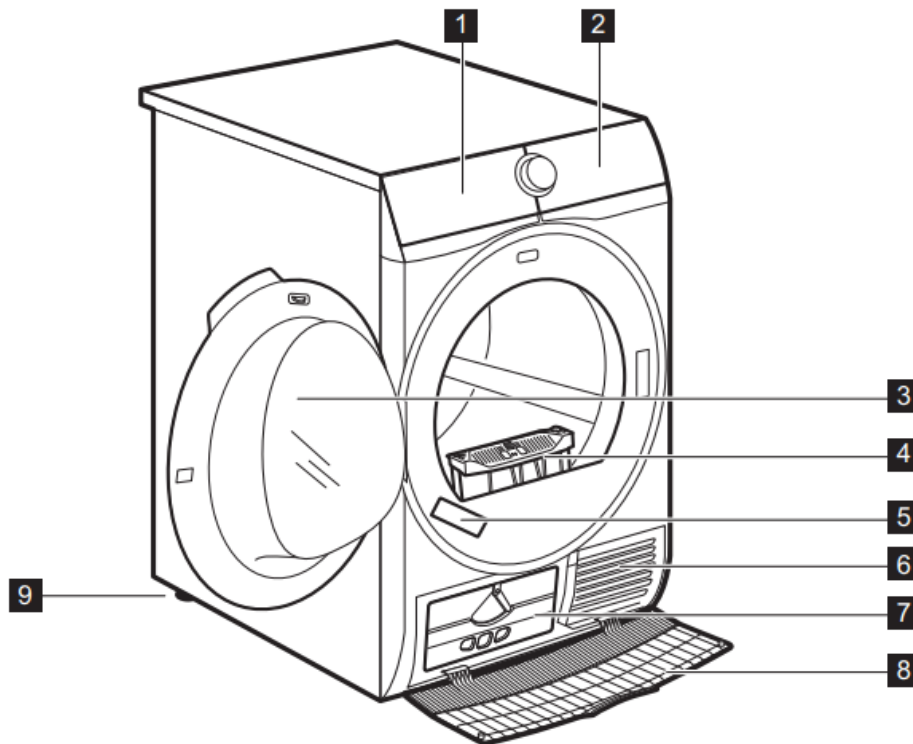
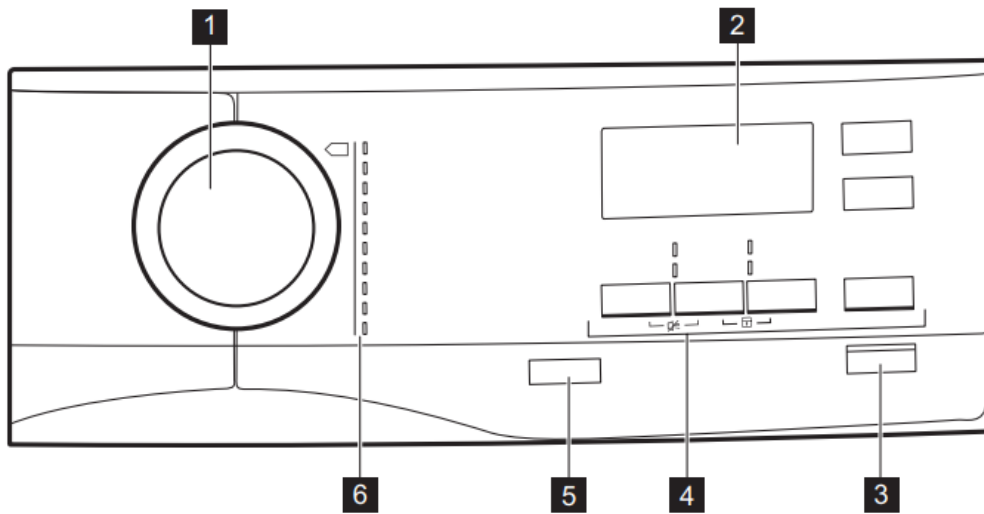


## PRODUCT DESCRIPTION



1. Water container
2. Control panel
3. Appliance door
4. Filter
5. Rating plate
6. Airflow slots
7. Condenser lid
8. Condenser cover
9. Adjustable feet

## CONTROL PANEL



1. Program dial
2. Display
3. Start/Pause button
4. Options
5. On/Off button with Auto Off function
6. Programs

### Display



Symbol on the display	Symbol description
8.0 kg MAX	laundry maximum load
	delay start option on
30' - 20h	delay start selection (30min-20h)
1 : 50	cycle time indication
	buzzer off

Symbol on the display	Symbol description
	child lock on
	laundry dryness: iron dry, cupboard dry, cupboard dry +, extra dry
	indicator: <i>drain the water container</i>
	indicator: <i>clean filter</i>
	indicator: <i>do the check of the heat exchanger</i>
	time dry option on
	time programme selection (10min-2h)
	indicator: <i>drying phase</i>
	indicator: <i>crease guard phase</i>
	indicator: <i>cooling phase</i>

## OPTIONS

### Dryness Level

This option helps to achieve requested laundry dryness. Possible selections:

- - ready to iron - iron dry level.

- - ready to store - cupboard dry level - default selection which is related to the programme.

- - ready to store - cupboard dry + level.

- - ready to store - extra dry level.

### Extra Silent

The appliance operates with low noise without effect on the drying quality. The appliance operates slowly with longer cycle time.

### ECO

This option is on by default with all programs.

The power consumption is at the minimum level.

### Anti-crease

Extends up to 120 minutes the anticrease phase (30 minutes) at the end of the drying cycle. After drying phase drum rotates from time to time to prevent creases. Laundry can be removed during the anti-crease phase.

### Refresh

To refresh clothes that were in storage. Maximal load cannot exceed 1 kg.

### Time Drying

For cottons, synthetics and mixed. Lets the user to set drying time from minimum 10 min to maximum of 2 hours (in 10 min steps). When this option is maximum, load indicator disappears.


TIME DRYING RECOMMENDATION	
10 - 20 min	action of cool air only (no heater).
20 - 40 min	additional drying to improve dryness after previous drying cycle.
>40 min	full drying of the small laundry loads up to 4 kg, well spun (>1200 rpm).

### Time Drying on Wool program

Option applicable to Wool program to adjust final dryness level to more dry or less dry.

### Delay Start

1. Set the drying program and options.
2. Touch Delay Start button again and again.

Time of delay is on the display (e.g.  if the program has to start after 12 hours.)

3. To activate Delay Start option, touch the Start/Pause button.



Time to start decreases on the display.

## Buzzer

The sound is heard at the:

- cycle end
- start and end of crease guard phase





The buzzer option is by default always on. You can use this option to activate or deactivate the sound.

## DAILY USE

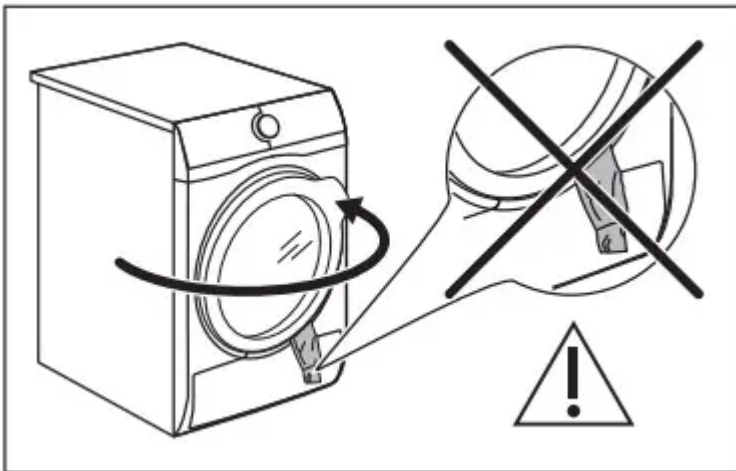
### Preparing the laundry

To assure proper drying process:

- Close the zips.
- Close the fasteners of duvet covers.
- Do not dry ties or ribbons loose (e.g. apron ribbons). Tie them before you start a program.
- Remove all items from pockets.
- Turn items with the internal layer made of cotton inside out. Cotton layer must be faced outwards.
- Always set the program suitable for the type of laundry.
- Do not put light and dark colours together.
- Use suitable program for cottons, jersey and knitwear to reduce shrinkage.
- Do not exceed the maximum load stated in the programs chapter or shown on the display.
- Dry only the laundry that is suitable for tumble drying. Refer to the fabric label on the items.
- Do not dry large and small items together. Small items can be trapped inside the large items and remain wet.
- Shake the large clothes, fabrics before placing in the tumble dryer. It is to avoid moist places inside the fabric after the drying cycle.

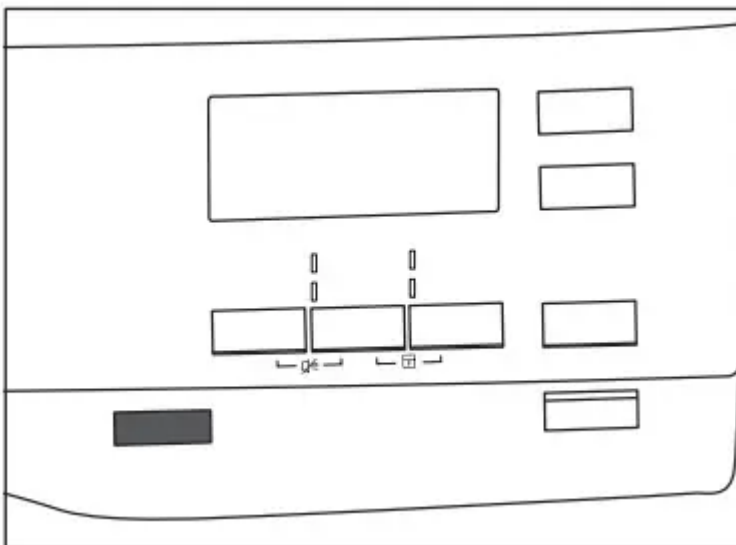
Fabric label	Description
	Laundry is suitable for tumble drying.
	Laundry is suitable for tumble drying at higher temperatures.
	Laundry is suitable for tumble drying at low temperatures only.
	Laundry is not suitable for tumble drying.

## Loading the laundry



1. Pull open the appliance door.
2. Load the laundry one item at a time.
3. Close the appliance door.

## Turning on the appliance



To turn on the appliance:

Push the On/Off button. If the appliance is on, some indicators appear on the display.

### Auto Off function

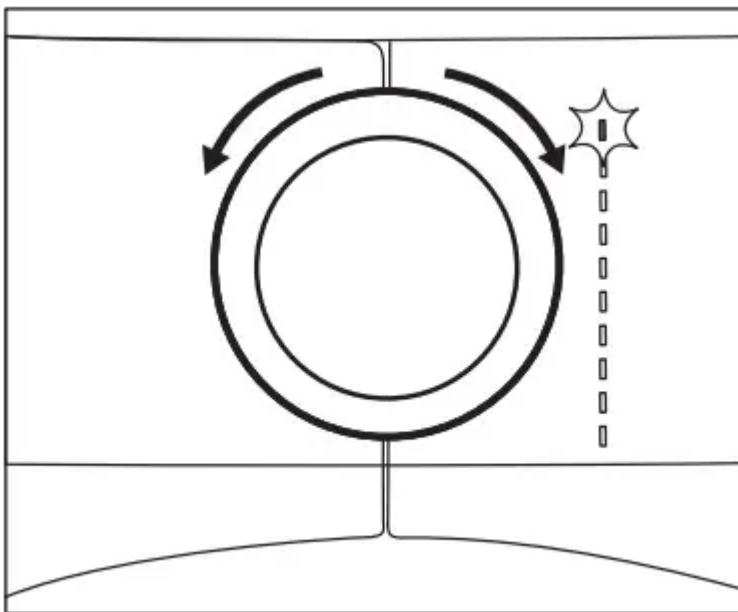
To decrease the energy consumption, the Auto Off function turns the appliance off automatically:

- if the Start/Pause touch button is not touched within 5 minutes.
- 5 minutes after a cycle ends.

Push the On/Off button to turn on the appliance.

If the appliance is on, some indications appear on the display.

### Setting a programme

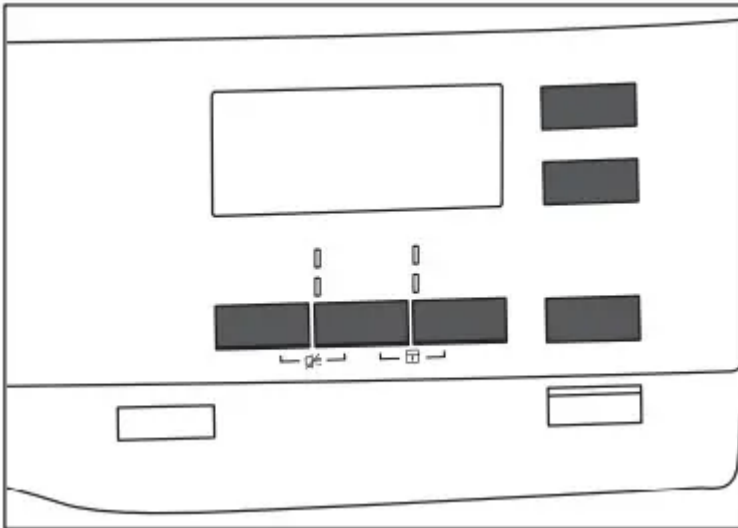


Use the programme dial to set the programme.

The approximate programme duration appears on the display.

### Options

Together with the programme you can set 1 or more special options.



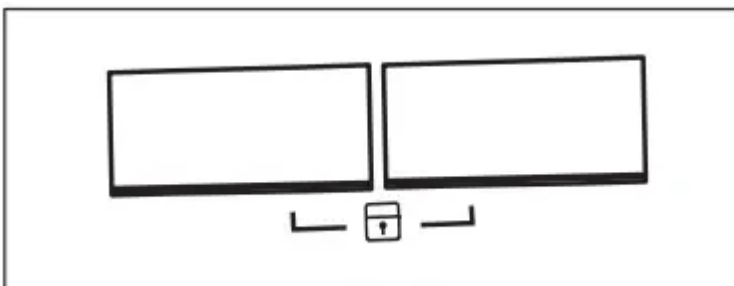
To activate or deactivate an option touch the relevant button or a two button combination. its symbol appears on the display or the led above the corresponding button lights up.

### Child lock option


The child lock can be set to prevent children from playing with the appliance. The child lock option locks all touch buttons and the program dial (this option does not lock the On/Off button). You can activate the child lock option:

- before you touch the Start/Pause button - the appliance cannot start
- after you touch the Start/Pause button - programs and option selection is unavailable.

Child lock option activation:

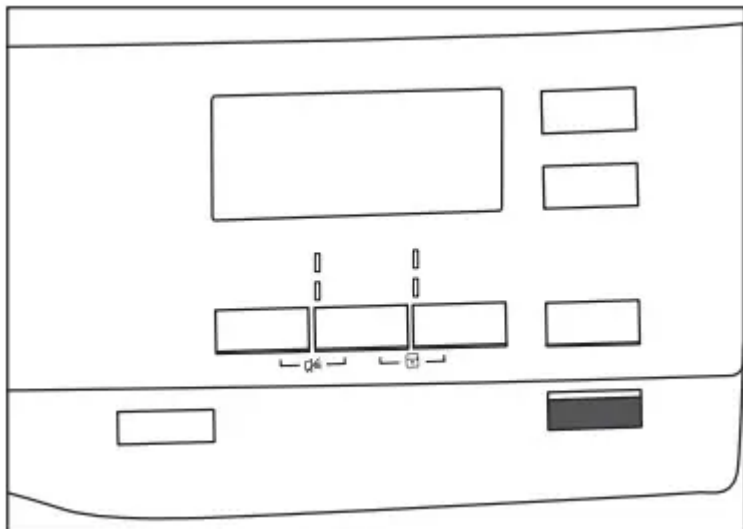


1. Turn the dryer on.
2. Select 1 of the available programs.
3. Touch and hold down 2 buttons at the same time.

The symbol  appears on the display.

4. To deactivate the child lock, touch the above buttons again until the symbol disappears.

## Starting a program



To start the program:

Touch the Start/Pause button. The appliance starts and the LED above the button stops flashing and stays on.

## Program change

To change a program:

1. Push the On/Off button to turn the appliance off.
2. Push the On/Off button again to turn on the appliance.
3. Set a new program.

## Programme end

If the drying cycle is finished, the symbol  appears on the display. If the Buzzer option is activated, the acoustic signal sounds intermittently for 1 minute.

To remove the laundry:


1. Push the On/Off button for 2 seconds to turn the appliance off.
2. Open the appliance door.
3. Remove the laundry.
4. Close the appliance door.

Possible causes of unsatisfactory drying results:

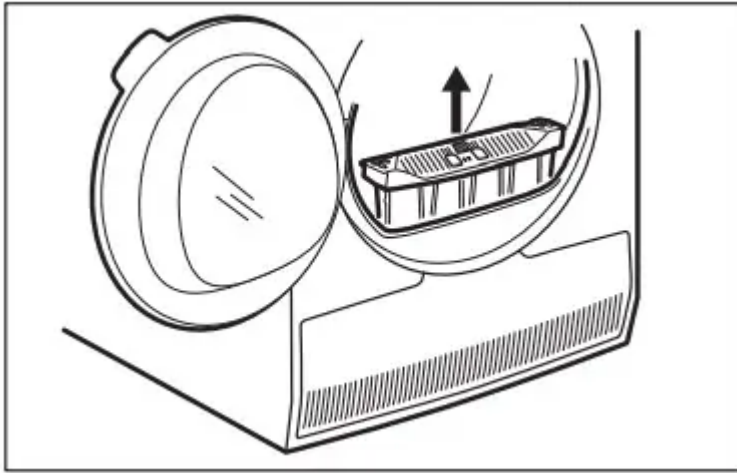
- Inadequate default dryness level settings. See chapter Adjustment of default dryness level
- Room temperature is too low or too high. Optimal room temperature is between 18°-25°C.

## CARE AND CLEANING

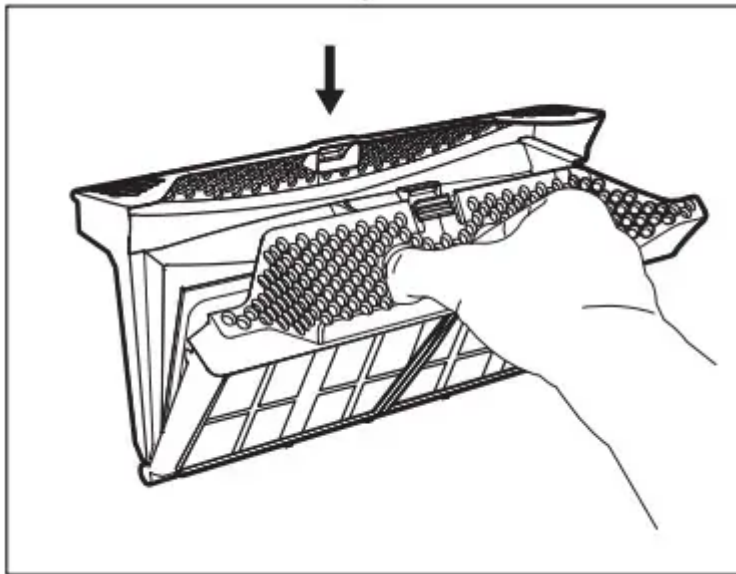
### Cleaning the filter

At the end of each cycle the  Filter symbol comes on the display and you must clean the filter.

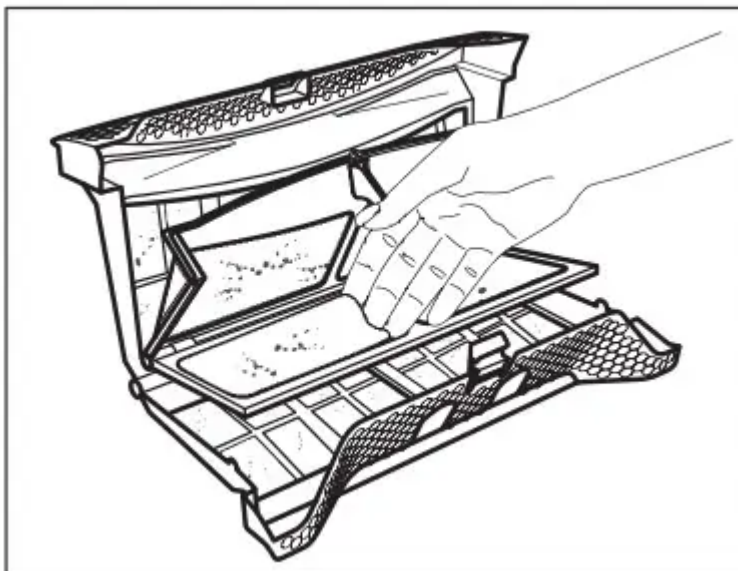
1. Open the door. Pull the filter up.



2. Push the hook to open the filter.



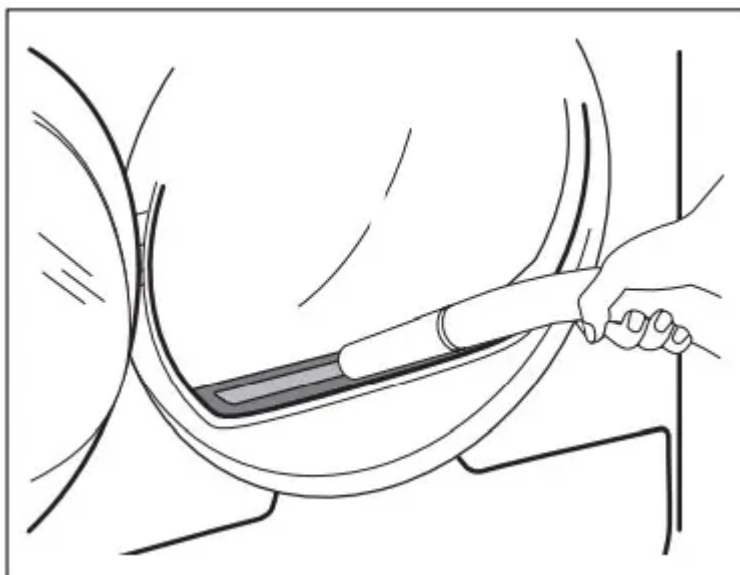
3. Gather lint with hand from both internal parts of the filter.



Throw the lint in the dustbin.


4. If necessary, clean the filter with a vacuum cleaner. Close the filter.

5. If necessary, remove lint from the filter socket and gasket. You can use a vacuum cleaner. Place the filter back inside the filter socket.



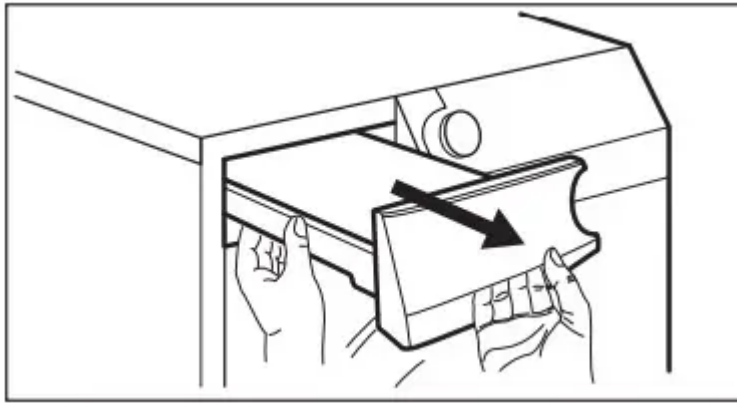
## Emptying the water container

Empty the condensed water container after each drying cycle.

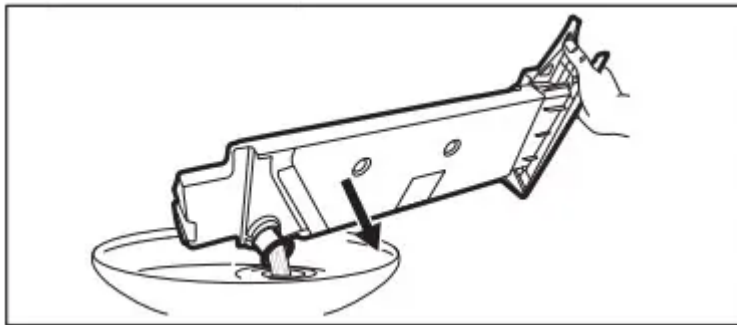
If the condensed water container is full, the programme stops automatically. The  Tank symbol comes on the display and you must empty the water container.

To empty the water container:

1. Pull the water container out keeping it in a horizontal position.



2. Pull the plastic connection out and drain the water into a basin or equivalent receptacle.



3. Push the plastic connection back in and place the water container back into position.

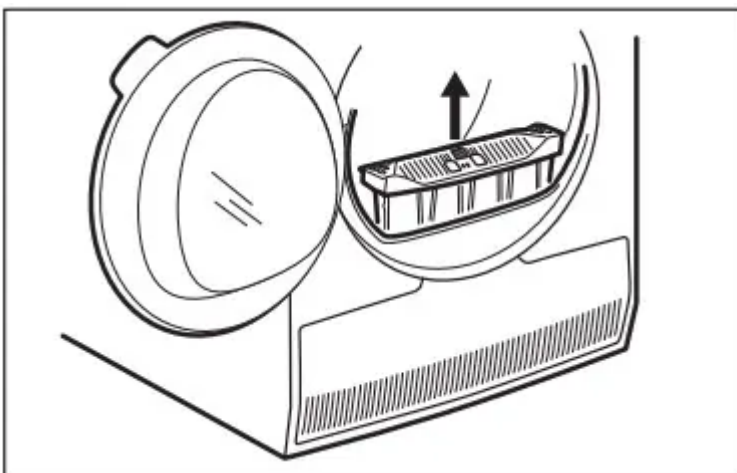
4. To continue the programme press the Start/Pause button.

## Cleaning the condenser

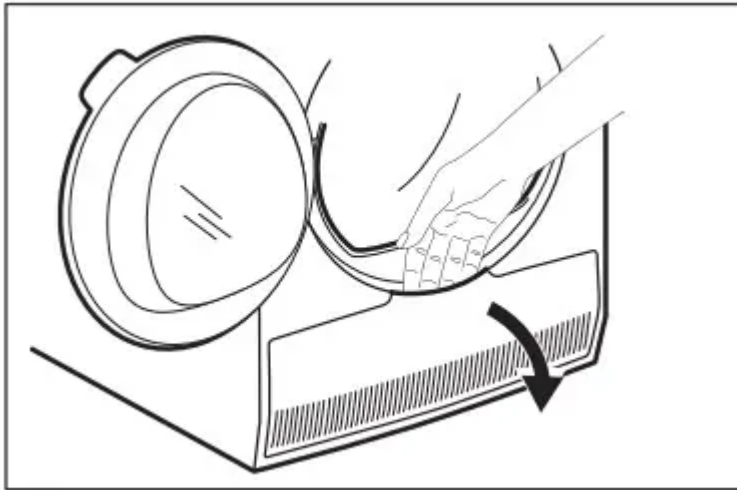
If the symbol  $\Rightarrow$  Condenser flashes on the display, inspect the condenser and its compartment. If it is dirty, clean it. Do the check not less than once a 6 months.

To inspect:

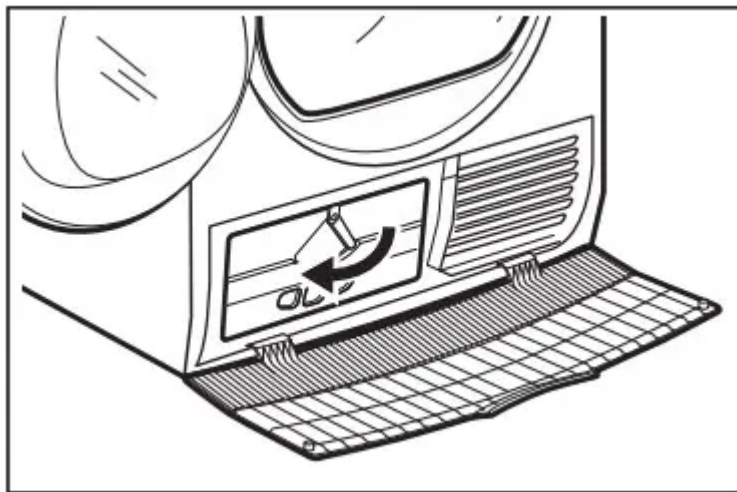
1. Open the door. Pull the filter up.



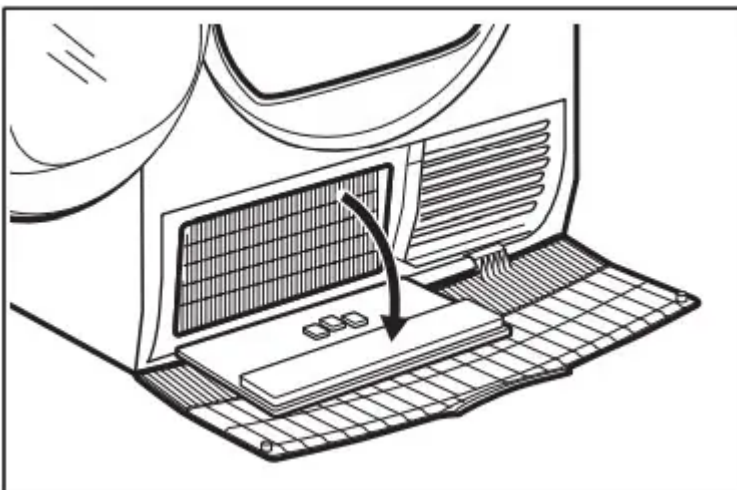
2. Open the condenser cover.



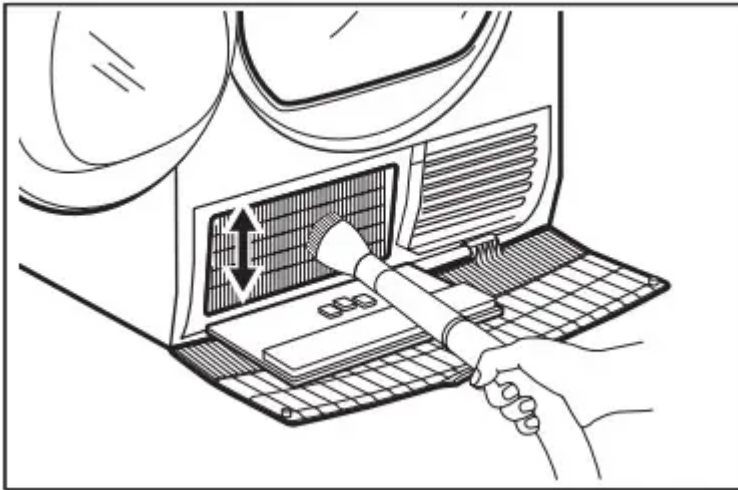
3. Turn the lever to unlock the condenser lid.



4. Lower the condenser lid.




5. If necessary, remove the fluff from the condenser and its compartment. You can use a wet cloth and/or a vacuum cleaner with a brush attachment.




6. Close the condenser lid.
7. Turn the lever until it clicks into position.
8. Put the filter back.

# TROUBLESHOOTING



<b>Problem 1)</b>	<b>Possible cause</b>	<b>Remedy</b>
The tumble dryer does not operate.	The tumble dryer is not connected to the mains supply.	Connect to the mains socket.
	The door is open.	Close the door.
	The On/Off button was not pushed.	Push the On/Off button.
	The Start/Pause button was not touched.	Touch the Start/Pause button.
	The appliance is in standby mode.	Push the On/Off button.
Unsatisfactory drying result.	Incorrect program selection.	Select a suitable program. 2)
	The filter is clogged.	Clean the filter. 3)
	Dryness Level option was set to  iron dry. 4)	Change Dryness Level option to higher level.
	The load was too large.	Do not exceed the maximum load size.
	The airflow slots are clogged.	Clean the airflow slots at the bottom of the appliance.
	Dirt on the humidity sensor in the drum.	Clean the front surface of the drum.
	Dryness level not set to desired level.	Adjust the dryness level. 5)
	The condenser is clogged.	Clean the condenser. 3)
The loading door does not close	The filter is not locked into position.	Put the filter in the correct position.

Problem 1)	Possible cause	Remedy
	Laundry is trapped between the door and the seal.	Remove trapped items and close the door.
Not possible to change the program or option.	After cycle start it is not possible to change the program or option.	Turn the tumble dryer off and on. Change the program or option as required.
Not possible to select an option. Acoustic signal is emitted.	The option you tried to select is not available for the selected program.	Turn the tumble dryer off and on. Change the program or option as required.
Unexpected duration time on the display.	The drying duration is calculated according to load size and dampness.	This is automated — the appliance is working correctly.
Program inactive.	The water container is full.	Drain the water container, push the Start/Pause button. 3)
Drying cycle too short or stops without drying the load.	Load size is small.	Select time program. The time value must be related to the load. To dry 1 item or a small amount of laundry we recommend short drying times.
	The laundry is too dry.	Select time program or higher dryness level (e.g.  extra dry)
Drying cycle too long 6)	The filter is clogged.	Clean the filter.
	The load is too large.	Do not exceed the maximum load size.
	The laundry was not spun sufficiently.	Spin the laundry well.
	Too low or too high room temperature - this is not the appliance malfunction.	Ensure a room temperature higher than +5°C and lower than +35°C. Optimal room temperature to

Problem 1)	Possible cause	Remedy
		achieve best drying results is between 19°-24°C.

- 1) If there is an error message on the display (e.g. E51): Turn the tumble dryer off and on. Select a new program. Push the Start/Pause button. If the appliance does not operate contact the service centre and provide the error code.
- 2) Follow the program description — see PROGRAMS chapter
- 3) See chapter CARE AND CLEANING
- 4) Only dryers with Dryness Level option
- 5) See HINTS AND TIPS chapter
- 6) Note: After a maximum of 5 hours the drying cycle ends automatically.

**Warning**

This content is compiled from multiple sources and is provided for reference purposes only. It may not be complete or fully applicable to all situations. If you are unable to resolve your issue, please contact the product manufacturer or an authorized service provider for official support.

