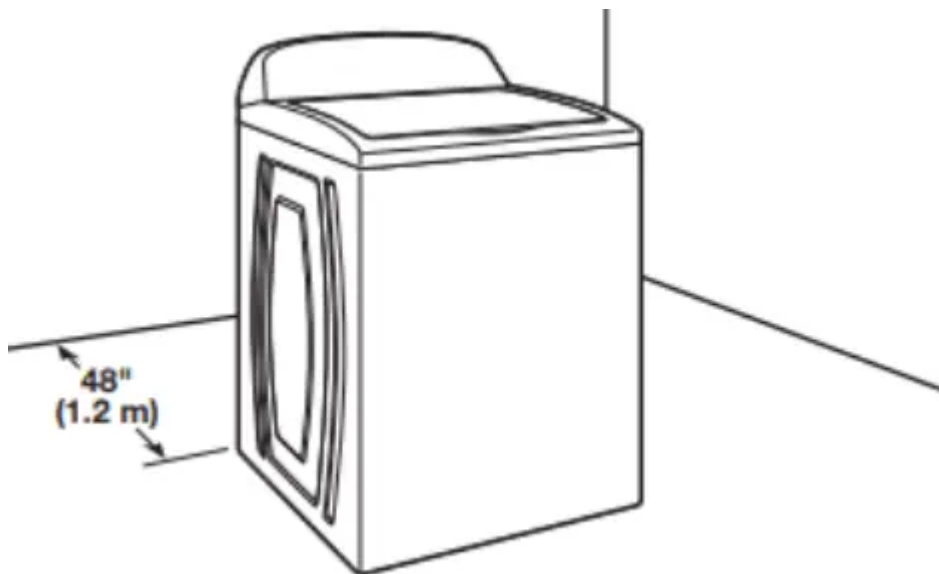


INSTALLATION

Unpacking

Before you start: Remove shipping materials. It is necessary to remove all shipping materials for proper operation and to avoid excessive noise from washer.

1. Move Washer

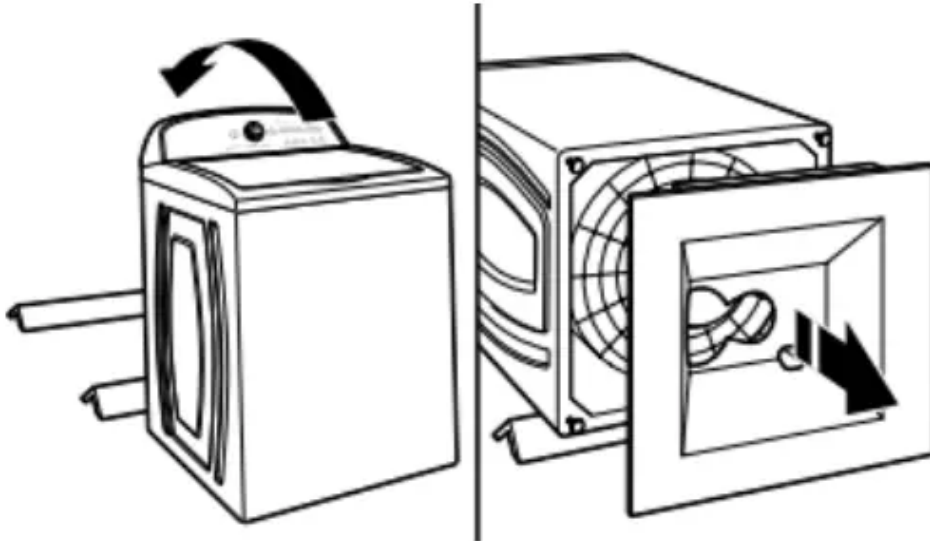


Move washer to within 4 feet (1.2 m) of its final location; it must be in a fully upright position.

NOTE: To avoid floor damage, set washer onto cardboard before moving it and make sure lid is taped shut.

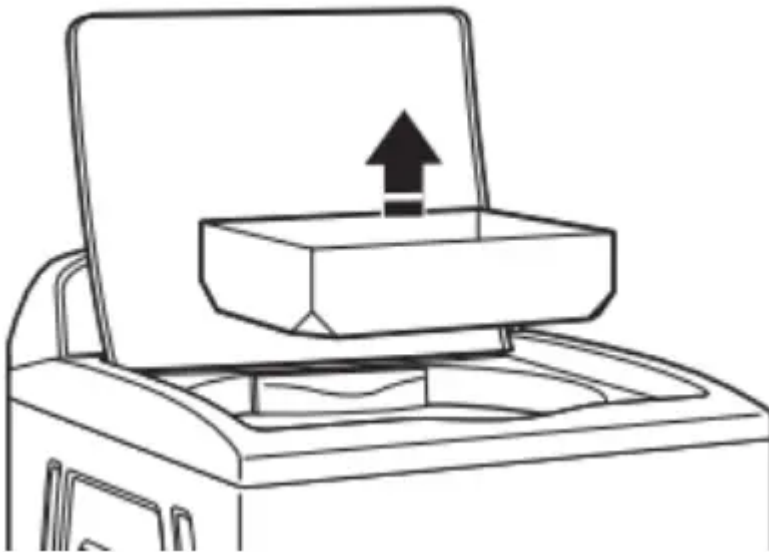
2. Remove shipping base

IMPORTANT: Removing shipping base is necessary for proper operation. If your washer includes a sound shield, please refer to the instructions included with the sound shield to install it at this time.



To avoid damaging floor, place cardboard supports from shipping carton on floor behind washer. Tip washer back and place on cardboard supports. Remove shipping base (some models require shipping base to be rotated 90° to the right before pulling off). Set washer upright.

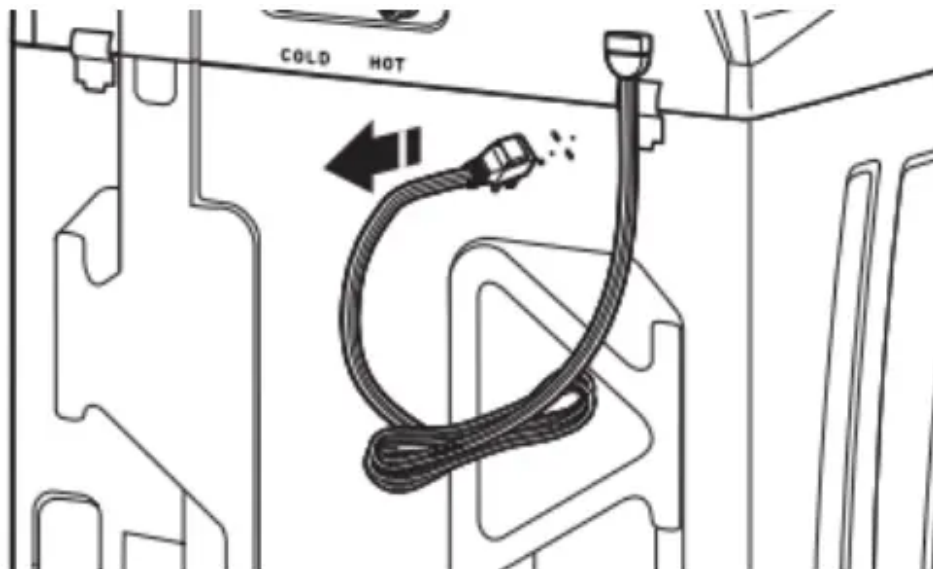
3. Remove packaging material from inside washer



Remove tape from washer lid, open lid, and remove packaging material from washer tub. Be sure that all parts have been removed from inside washer.

NOTE: Keep packaging material for inside washer in case you need to move washer later.

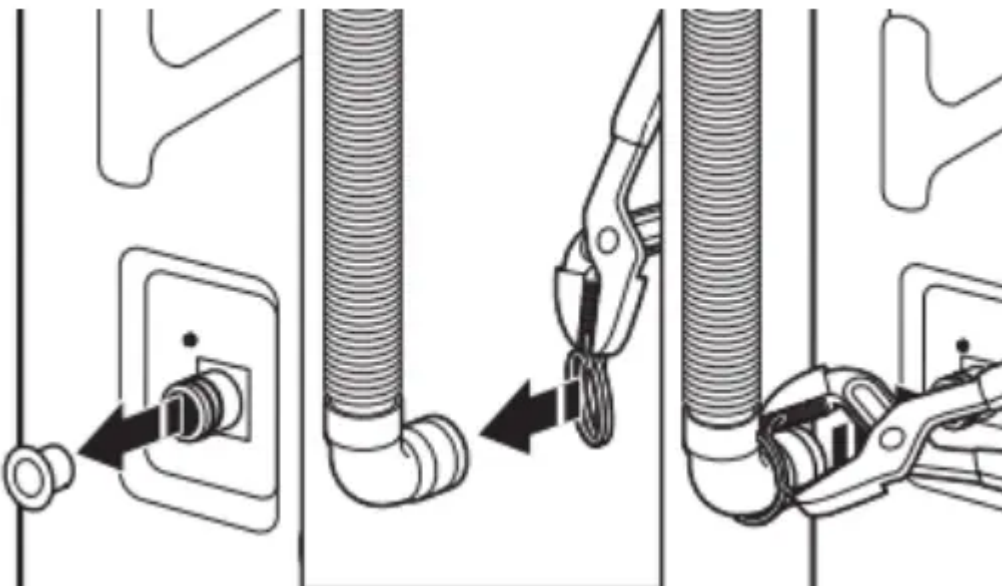
4. Free power cord



Firmly grasp power cord plug and pull to free from rear panel. Gently place power cord over console to allow free access to back of washer.

Connect Drain Hose

5. Attach drain hose to drain port



If applicable, remove the red plastic plug from the black drain port on the back of the washer.

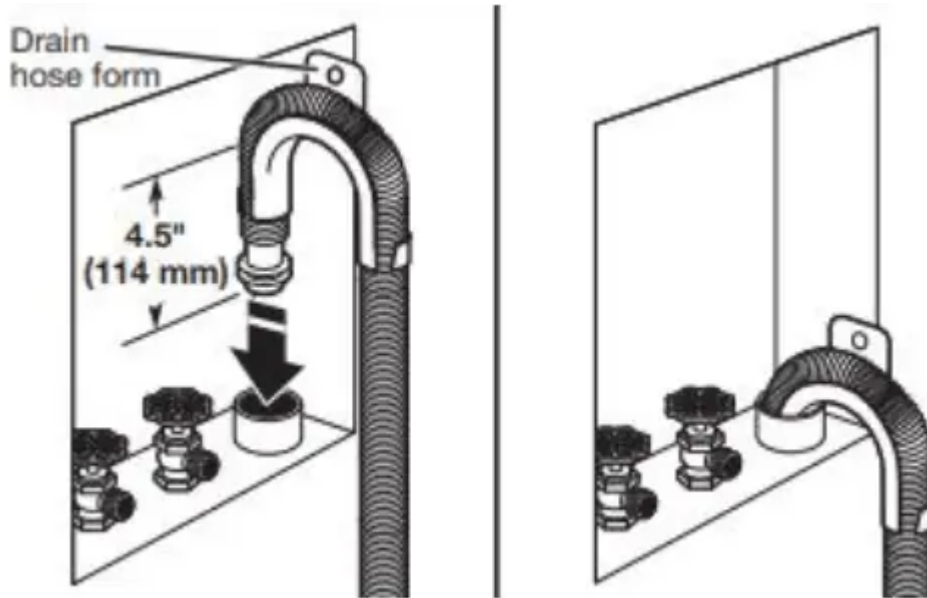
If clamp is not already in place on elbow end of drain hose, slide it over end as shown.

Squeeze clamp with pliers and slide black elbow end of drain hose onto black drain port and secure with clamp.

For a laundry tub or standpipe drain, go to step 6.

For a floor drain, remove the pre-installed drain hose form as shown in step 7. You may need additional parts with separate directions. See the “Alternate Parts” section.

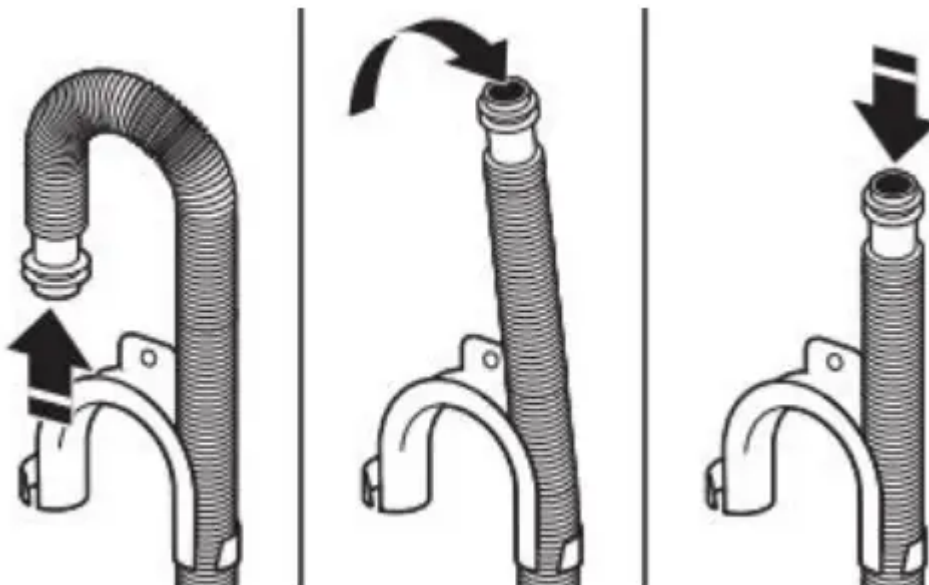
6. Place drain hose in standpipe



IMPORTANT: 4.5" (114 mm) of drain hose should be inside standpipe; do not force excess hose into standpipe or lay on bottom of laundry tub. Drain hose form must be used.

Place hose into standpipe (shown in picture) or over side of laundry tub.

7. Remove drain hose form (floor drain installations only)



For floor drain installations, you will need to remove the drain hose form from the end of the drain hose. You may need additional parts with separate directions. See "Tools and Parts."

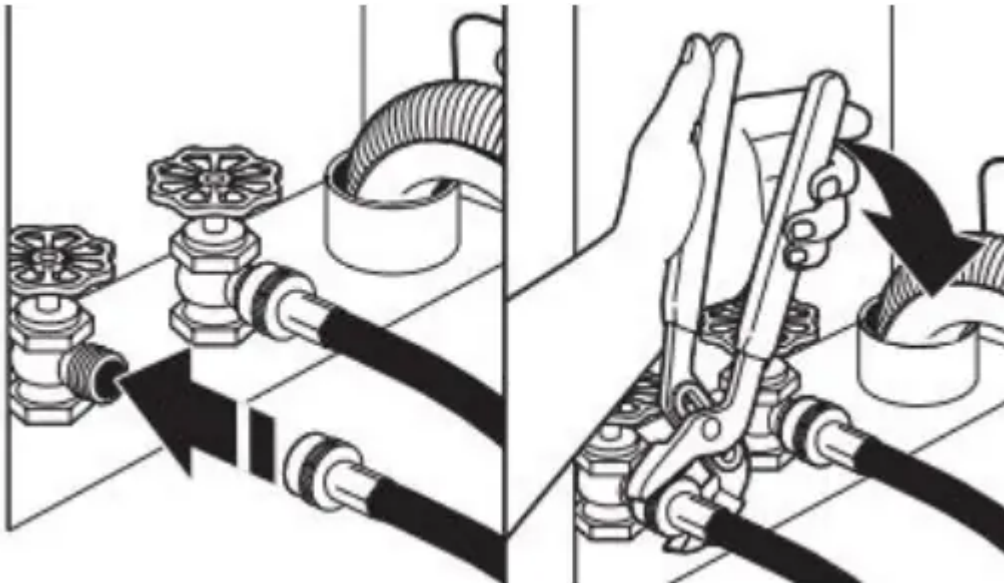
It is the responsibility of the installer to install and secure the drain hose into the provided plumbing/drain in a manner that will avoid the drain hose coming out of and leaking from the plumbing/drain.

Connect Inlet Hoses

Washer must be connected to water faucets with new inlet hoses with flat washers (not provided). Do not use old hoses.

NOTE: Both hoses must be attached and have water flowing to inlet valves. If you are only connecting to a cold water faucet, you must use a Y-adapter (not provided).

8. Connect inlet hoses to water faucets



IMPORTANT: Do not overtighten hose or use tape or sealants on valve. Damage to the valves can result.

Attach hose to hot water faucet. Screw on coupling by hand until it is seated on washer. Use adjustable pliers to tighten couplings an additional two-thirds turn. Repeat this step with second hose for cold water faucet.

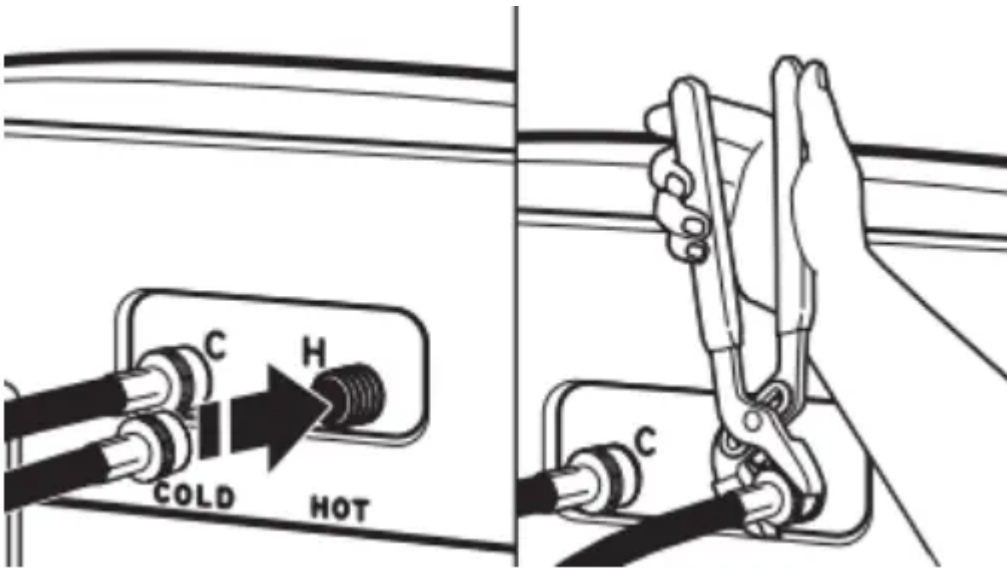
9. Clear water lines



Run water for a few seconds through hoses into a laundry tub, drainpipe, or bucket to prevent clogs. Water should run until clear.

Make note of which hose is connected to hot water to help in attaching hoses to washer correctly.

10. Connect inlet hoses to washer



IMPORTANT: To reduce risk of hose failure, replace the hoses every 5 years. Record hose installation or replacement dates for future reference.

- Do not overtighten hose or use tape or sealants on valve. Damage to the valves can result.
- Periodically inspect and replace hoses if bulges, kinks, cuts, wear, or leaks are found.

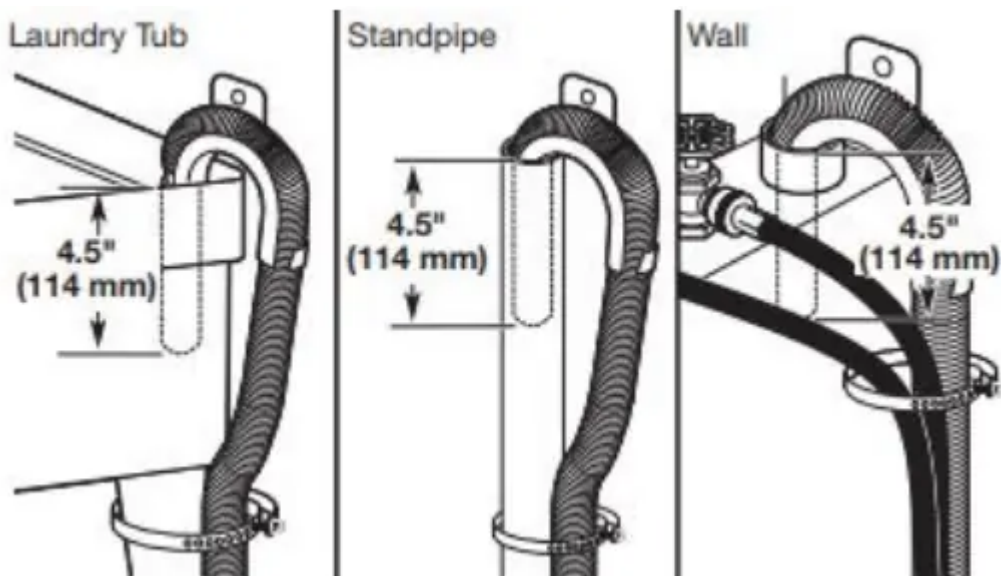
Attach hot water hose to red hot water inlet valve. Screw coupling by hand until it is snug. Use pliers to tighten couplings an additional two-thirds turn. Repeat with cold water inlet valve.

11. Check for leaks



Turn on water faucets to check for leaks. A small amount of water may enter washer. It will drain later.

12. Secure drain hose



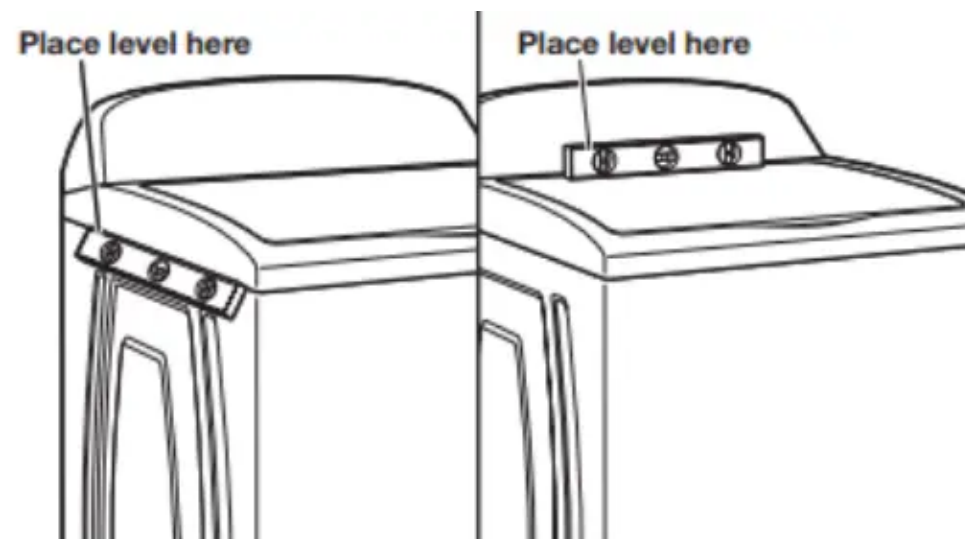
Secure drain hose to laundry tub leg, drain standpipe, or inlet hoses for wall standpipe with cable tie.

It is the responsibility of the installer to install and secure the drain hose into the provided plumbing/drain in a manner that will avoid the drain hose coming out of or leaking from the plumbing/drain.

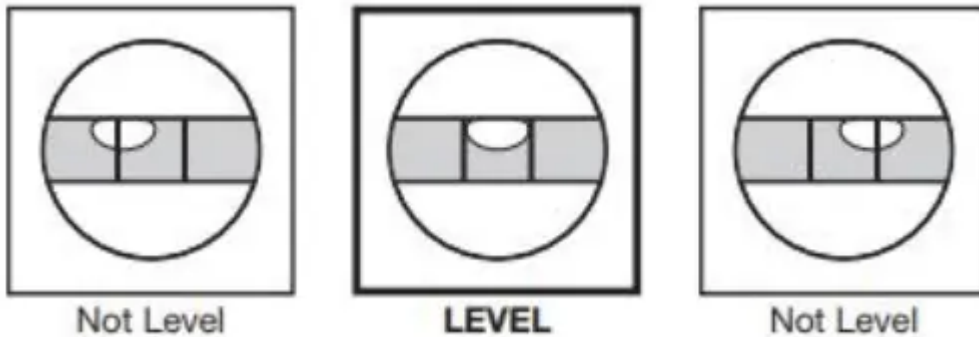
Level Washer

NOTE: Level washer properly to reduce excess noise and vibration.

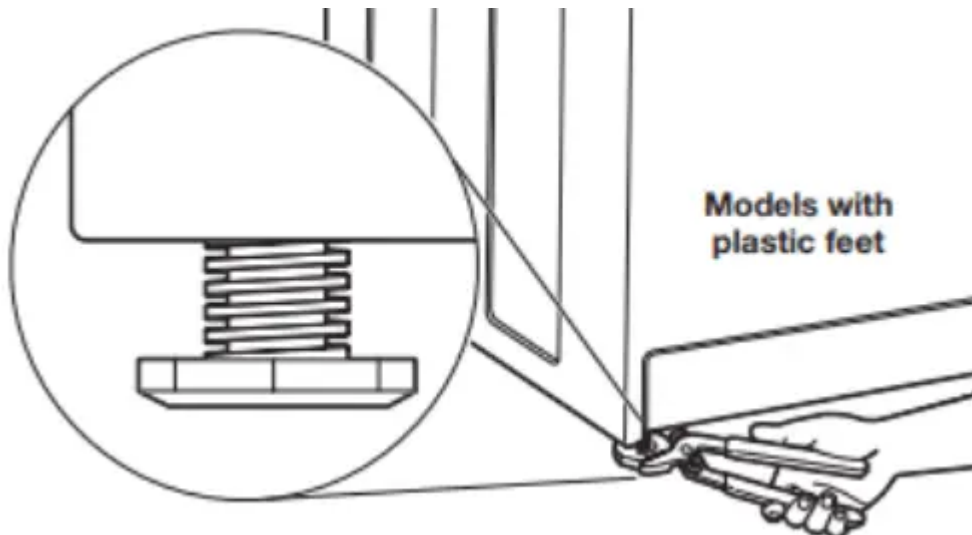
13. Check levelness of washer



Move the washer to its final location. Place a level on top edges of washer. Use side seam as a guide to check levelness of sides. Check levelness of front using lid, as shown. Rock washer back and forth to make sure all four feet make solid contact with floor. If washer is level, skip to step 15.



14. Adjust leveling feet



If washer is not level:

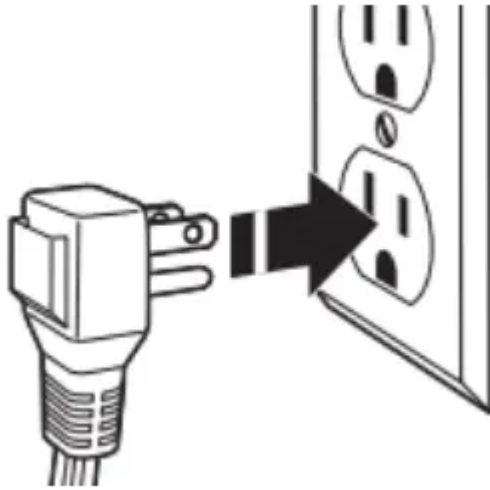
Use adjustable pliers to turn the plastic leveling foot counterclockwise to lower the washer or clockwise to raise the washer.

Recheck levelness of washer and repeat as needed.

HELPFUL TIPS:

- You may need to adjust two different feet to level your unit. Ensure each foot remains secured to the washer's base.
- You may want to prop up front of washer about 4" (102 mm) with a wood block or similar object that will support weight of washer.

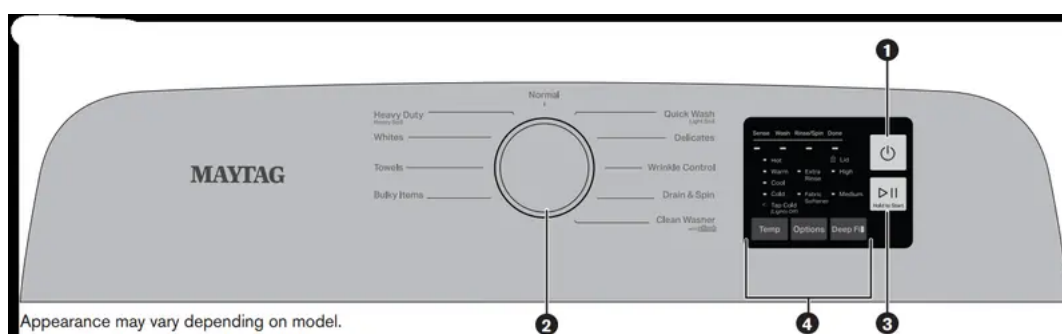
15. Plug into a grounded 3-prong outlet



Complete Installation Checklist

- Check electrical requirements. Be sure you have correct electrical supply and recommended grounding method.
- Check that all parts are now installed. If there is an extra part, go back through steps to see what was skipped.
- Check that you have all of your tools.
- Check that shipping materials were completely removed from washer.
- Check that the washer is level.
- Check that water faucets are on.
- Check for leaks around faucets and inlet hoses.
- Remove protective film from console and any tape remaining on washer.
- Check that washer is plugged into a grounded 3-prong outlet.
- Dispose of/recycle all packaging materials
- Read the “Washer Maintenance and Care” section.
- To test and clean your washer, measure 1/2 of normal recommended amount of powdered or liquid HE detergent and pour it into washer basket or detergent dispenser (on some models). Close lid. Select any cycle. Start washer and allow to complete full cycle.

CONTROL PANEL AND FEATURES



1. POWER

Press “POWER” button to turn on/off or to stop/cancel a cycle.

2. CYCLE KNOB

Turn knob to select desired cycle. See “Cycle Guide” online for detailed cycle descriptions.

3. HOLD TO START BUTTON

Press, hold, and release the “Hold to Start” button to start cycle.

Press during a cycle to pause cycle and unlock lid.

NOTE: If machine is spinning it may take longer to unlock lid.

4. CYCLE MODIFIERS (Not all modifiers are available on all cycles) TEMP

Press “Temp” button to modify the cycle’s available temperatures (Tap Cold, Cold, Cool, Warm, Hot).

TAP COLD

Pressing the “Temp” button will toggle through available temperature options. When no lights in the temperature column are illuminated the selected temperature is “Tap Cold”.

RINSE OPTIONS

Press “Options” button to modify the cycle to add Fabric Softener and/or Extra Rinse

FABRIC SOFTENER

Press “Options” button until LED next to Fabric Softener is illuminated to let the machine know when you have added fabric softener to the appropriate dispenser.

EXTRA RINSE

Press “Options” button until LED next to Extra Rinse is illuminated to add a deep rinse after your main rinse has completed. Available on most cycles. To run a “Rinse & Spin” cycle, select the “Drain & Spin” cycle and turn on “Extra Rinse” option.

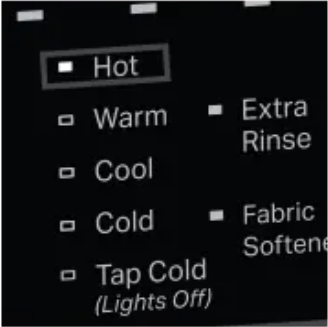

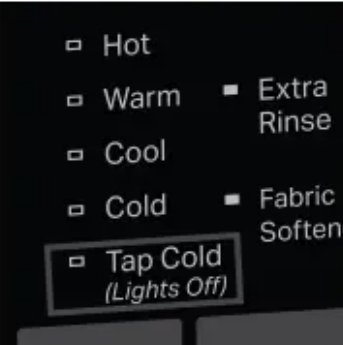
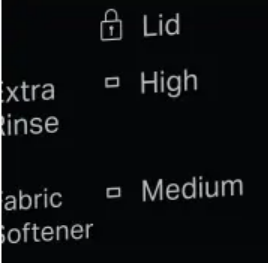
DEEP FILL

Press to add more water to the washer from the cycle’s auto sensed level (Auto, Medium, High).

AUTO OPTION

Pressing the “Deep Fill” button will toggle through available water level options. When no lights are in the column are illuminated the selected water level is “Auto”. Auto adjusts the water level for each load based on load size to provide efficient cleaning.



TEMP	DEEP FILL
	
<p>“Hot” option selected</p>	<p>“High” option selected</p>
	
<p>When no lights in the temperature column are illuminated the selected temperature is “Tap Cold”</p>	<p>When no lights are in the column are illuminated the selected water level is “Auto”.</p>

OPERATING INSTRUCTIONS

WARNING: To reduce the risk of fire, electric shock, or injury to persons, read the **IMPORTANT SAFETY INSTRUCTIONS**, located in your appliance’s Owner’s Manual, before operating this appliance.

STEP 1. SORT & LOAD LAUNDRY

See Loading Recommendation section below.

STEP 2. ADD HE DETERGENT & LAUNDRY PRODUCTS TO DISPENSERS*



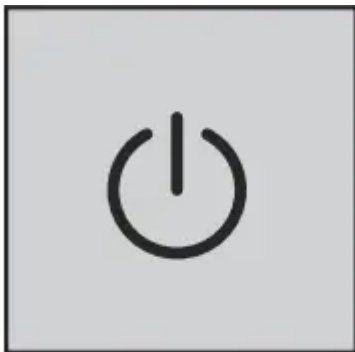
Remove inside tray for powder HE detergent.



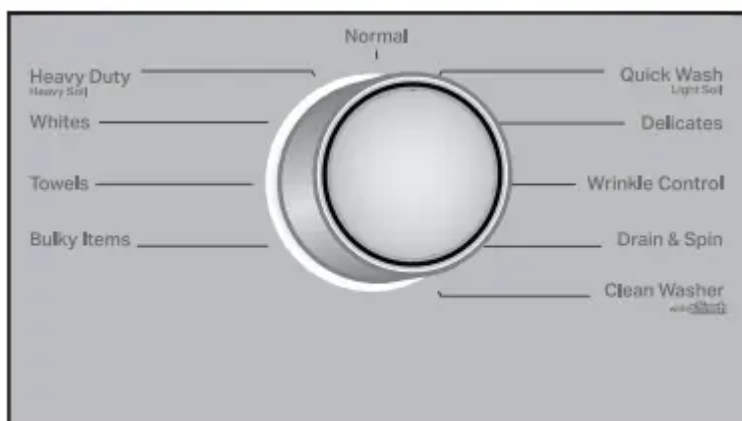
Follow manufacturer's instructions to determine amount of laundry products to use.



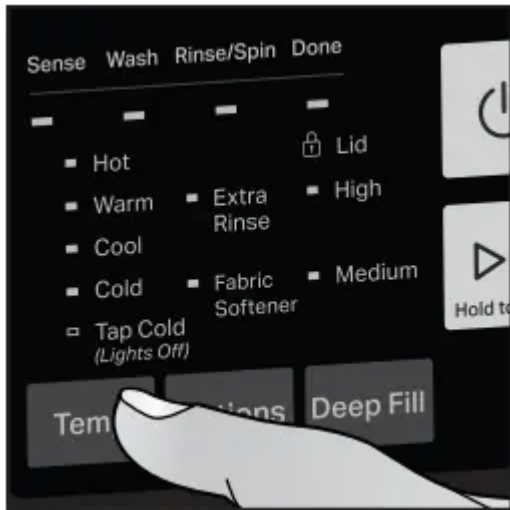
STEP 3. PRESS POWER BUTTON TO TURN ON THE WASHER



STEP 4. SELECT THE DESIRED CYCLE FOR YOUR LOAD*



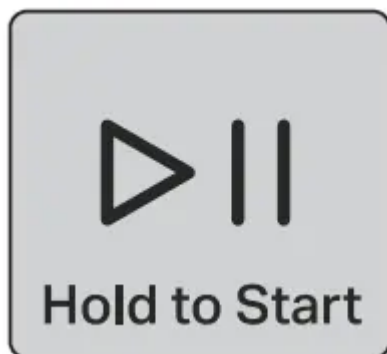
STEP 5. ADJUST CYCLE SETTINGS, IF DESIRED



STEP 6. SELECT ADDITIONAL OPTIONS*



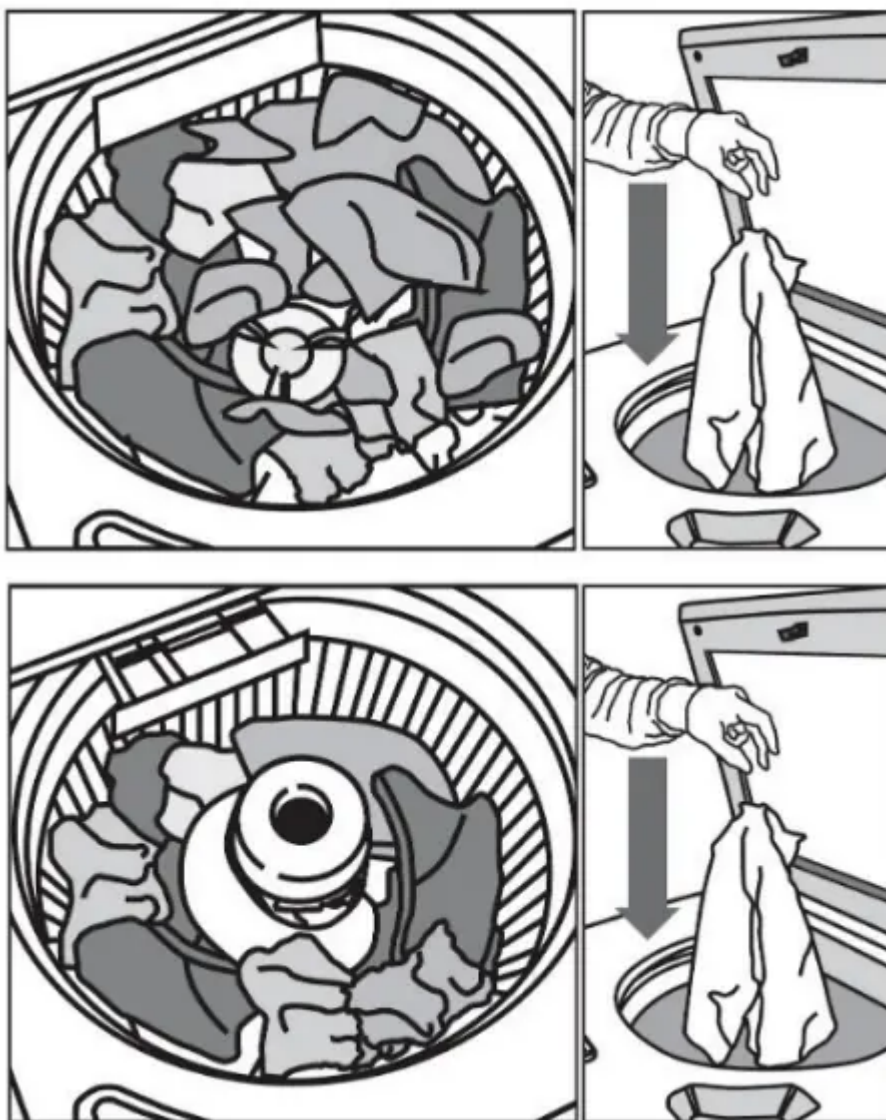
STEP 7. PRESS, HOLD, AND RELEASE HOLD TO START BUTTON TO BEGIN CYCLE



*NOTE: Not all cycles, settings or options are available with all models.

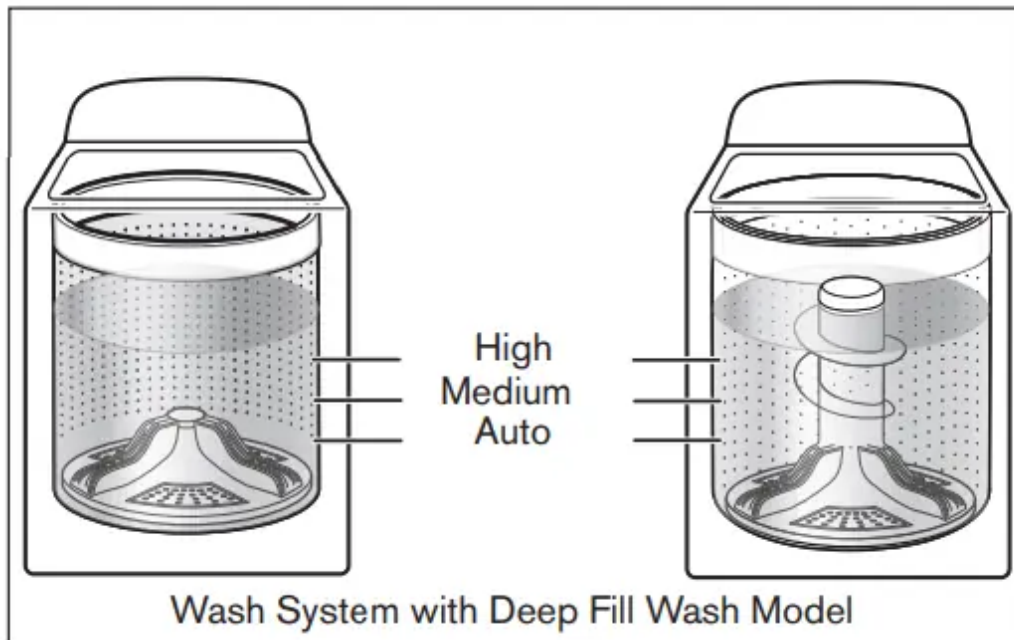


LOADING RECOMMENDATION



For best performance, it is recommended to load items by dropping them in loose heaps evenly around the washplate and agitator. Do not lay items length-wise around the washplate or agitator.

MORE WATER WHEN YOU WANT IT

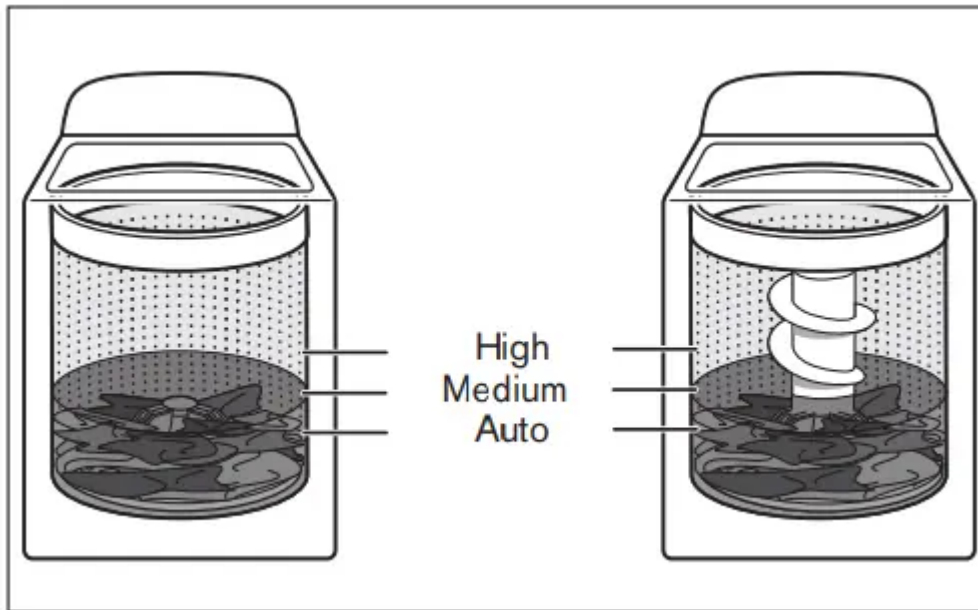


AUTO SENSING & DEEP FILL

- The washer will adjust the water level to the optimal amount for a High Efficiency wash of the detected load size.
- Press “Deep Fill” button to add more water to the wash load.
- There are three levels of deep water “Auto”, “Medium”, and “High”.
- Not all levels available on all cycles.

WASHER MAINTENANCE AND CARE

CLEANING WITH LESS WATER



As the washer dampens and moves the load, the level of the items will settle in the basket.

This is normal, and does not indicate that more items should be added.

IMPORTANT: You will not see a washer basket full of water as with your past agitator-style washer. It is normal for some of the load to be above the water line.

Water Inlet Hoses

Replace inlet hoses after 5 years of use to reduce the risk of hose failure. Periodically inspect and replace inlet hoses if bulges, kinks, cuts, wear, or leaks are found. When replacing your inlet hoses:

- Mark the date of replacement on the label with a permanent marker.
- Check that the old washers are not stuck on the washer inlet valves.
- Use new washers in the new inlet hoses to ensure a proper seal.

NOTE: This washer may not include inlet hoses. See the Installation Instructions for more information.

Washer Care

Recommendations to help keep your washer clean and performing at its best

1. Always use High Efficiency (HE) detergents and follow the HE detergent manufacturer's instructions regarding the amount of HE detergent to use. Never use more than the

recommended amount because that may increase the rate at which detergent and soil residue accumulate inside your washer, which in turn may result in undesirable odor.

2. Use warm and hot wash water settings sometimes (not exclusively cold water washes), because they do a better job of controlling the rate at which soils and detergent accumulate.
3. Always leave the washer lid open between uses to help dry out the washer and prevent the buildup of odor-causing residue.

Cleaning your top-loading washer

Read these instructions completely before beginning the routine cleaning processes recommended below. This Washer Maintenance Procedure should be performed, at a minimum, once per month or every 30 wash cycles, whichever occurs sooner, to control the rate at which soils and detergent may otherwise accumulate in your washer.

Cleaning the inside of the washer

To keep your washer odor-free, follow the usage instructions provided above and use this recommended monthly cleaning procedure:

Recommended cycle for cleaning the washer

Some models have a “Clean Washer” cycle that uses higher water volumes in combination with affresh® Washer Cleaner or liquid chlorine bleach to clean the inside of the washer.

If your model does not have a “Clean Washer” cycle, refer to the online Cycle Guide for the optimal cycle for cleaning the inside of the washer. Use this cycle with affresh® Washer Cleaner or liquid chlorine bleach as described below.

Description of Clean Washer with affresh® cycle operation:

1. This cycle will fill to a washer level high than in normal wash cycles to provide rinsing than in normal wash cycles to provide rinsing at a level above the water line for normal wash.
2. During this cycle, there will be some agitation and spinning to increase the removal of soils.

After this cycle is complete, leave the lid open to allow for better ventilation and drying of the washer interior.

Begin procedure

1. Affresh® washer cleaner cycle procedure (recommended for best performance):
 - a. Open the washer lid and remove any clothing or items.
 - b. Place an affresh® Washer Cleaner tablet in the bottom of the washer basket.
 - c. Do not place an affresh® Washer Cleaner tablet in the detergent dispenser.

d. Do not add any detergent or other chemical to the washer when following this procedure.

e. Close the washer lid.

f. Select the cycle recommended for cleaning the inside of the washer.

g. Press the START button to start the cycle.

NOTE: For best results, do not interrupt cycle. If cycle must be interrupted, press POWER/CANCEL. (For models with no Power/Cancel button, press and hold START/PAUSE for three seconds.) After the cycle has stopped, run a Rinse & Spin cycle to rinse cleaner from washer

2. Chlorine bleach procedure (alternative):

a. Open the washer lid and remove any clothing or items.

b. Add 1 cup (236 mL) of liquid chlorine bleach to the bleach compartment.

NOTE: Use of more liquid chlorine bleach than is recommended above could cause washer damage over time.

c. Close the washer lid.

d. Do not add any detergent or other chemical to the washer when following this procedure.

e. Select the cycle recommended for cleaning the inside of the washer.

f. Press the START button to start the cycle.

NOTE: For best results, do not interrupt cycle. If cycle must be interrupted, press POWER/CANCEL. (For models with no Power/Cancel button, press and hold START/PAUSE for three seconds.) After the cycle has stopped, run a Rinse & Spin cycle to rinse cleaner from washer.

Cleaning the dispensers

After a period of using your washer, you may find some residue buildup in the washer's dispensers.

IMPORTANT: Dispensers are not dishwasher-safe.

For non-removable dispensers:

To remove residue from the dispensers, wipe them with an affresh® Machine Cleaning Wipe or a damp cloth and towel dry. Do not attempt to remove the dispensers or trim for cleaning. The dispensers and trim are not removable.

For removable dispensers:

If your model has a dispenser drawer, press tab(s) to remove the drawer and clean it with an affresh® Machine Cleaning Wipe or a damp cloth and towel dry before or after you run the Clean Washer cycle. Use an all-purpose surface cleaner, if needed.

Cleaning the outside of the washer

IMPORTANT: To avoid damaging the washer's finish, do not use abrasive products.

Use an affresh® Machine Cleaning Wipe, a soft, damp cloth, or sponge to wipe away any spills. Use an affresh® Machine Cleaning Wipe or only mild soaps or cleaners when cleaning external washer surfaces.

Nonuse and Vacation Care

Operate your washer only when you are home. If moving, or not using your washer for a period of time, follow these steps:

1. Unplug or disconnect power to washer.
2. Turn off water supply to washer to avoid flooding due to water pressure surge.

Winter Storage Care

IMPORTANT: To avoid damage, install and store washer where it will not freeze. Because some water may stay in hoses, freezing can damage washer. If storing or moving during freezing weather, winterize your washer.

To winterize washer:

1. Shut off both water faucets; disconnect and drain water inlet hoses.
2. Put 1 L (1 quart) of R.V.-type antifreeze in basket and run washer on Rinse & Spin cycle for about 30 seconds to mix antifreeze and remaining water.
3. Unplug washer or disconnect power.

Transporting Your Washer

1. Shut off both water faucets. Disconnect and drain water inlet hoses.
2. If washer will be moved during freezing weather, follow "Winter Storage Care" directions before moving.
3. Disconnect drain hose from drain system and drain any remaining water into a pan or bucket. Disconnect drain hose from back of washer.
4. Unplug power cord.
5. Place inlet hoses and drain hose inside washer basket.
6. Drape power cord over edge and into washer basket.
7. Place original shipping materials back inside washer. If you do not have shipping materials, place heavy blankets or towels into basket opening. Close lid and place tape

over lid and down front of washer. Keep lid taped until washer is placed in new location. Transport washer in the upright position.

Reinstalling/Using Washer Again

To reinstall washer after nonuse, vacation, winter storage, or moving:

1. Refer to Installation Instructions to locate, level, and connect washer.
2. Before using again, run washer through the following recommended procedure:

To use washer again:

1. Flush water pipes and hoses.
2. Reconnect water inlet hoses.
3. Turn on both water faucets.
4. Plug into a grounded 3 prong outlet or reconnect power.
5. See your online Cycle Guide for information about which cycle(s) to run your washer through to clean washer and remove antifreeze, if used. Use only HE High Efficiency detergent. Use half the manufacturer's recommended amount for a medium-size load.

Warning

This content is compiled from multiple sources and is provided for reference purposes only. It may not be complete or fully applicable to all situations. If you are unable to resolve your issue, please contact the product manufacturer or an authorized service provider for official support.