

## Installation

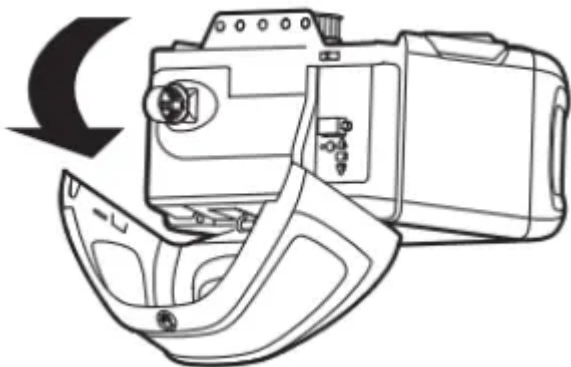
### 1. Before you begin

Your garage door opener has an internal gateway on the receiver logic board. After installing the new receiver logic board, use the myQ<sup>®</sup> serial number found on the provided label to add your garage door opener to your myQ<sup>®</sup> account. The products illustrated in the instructions are for reference. Your product may look different. The logic board firmware has been updated. The update provides a new Obstruction Notification that signals when the opener senses resistance, such as an obstruction or other binding in the door and rail system. The door will stop or reverse to open the limit, the opener will beep, and the lights flash 5 times. **WARNING:** To prevent possible SERIOUS INJURY or DEATH: Disconnect ALL electric and battery power BEFORE performing ANY service or maintenance.

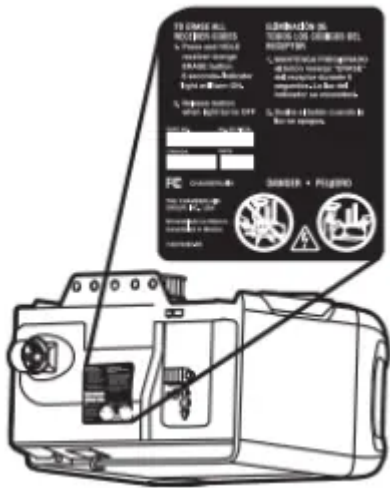
**CAUTION:** To avoid damage to the receiver/logic board, DO NOT touch the printed circuit board of the replacement receiver/logic board during installation. ALWAYS wear protective gloves and eye protection when changing the battery or working around the battery compartment.

**WARNING:** This product can expose you to chemicals including lead, which is known to the State of California to cause cancer or birth defects, or other reproductive harm.

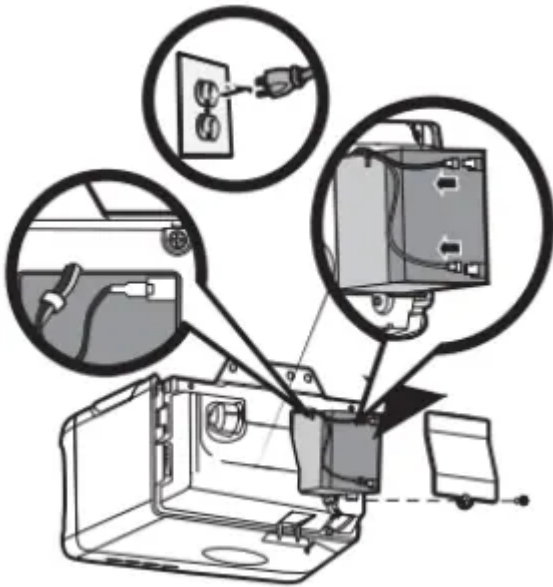
1.1 Remove the light lens by pulling the top side of the light lens and swinging the light lens down. Squeeze the light lens clips to remove the lens from the end panel.



1.2 To maintain your warranty, place the provided label over the existing label on the end panel of the garage door opener.



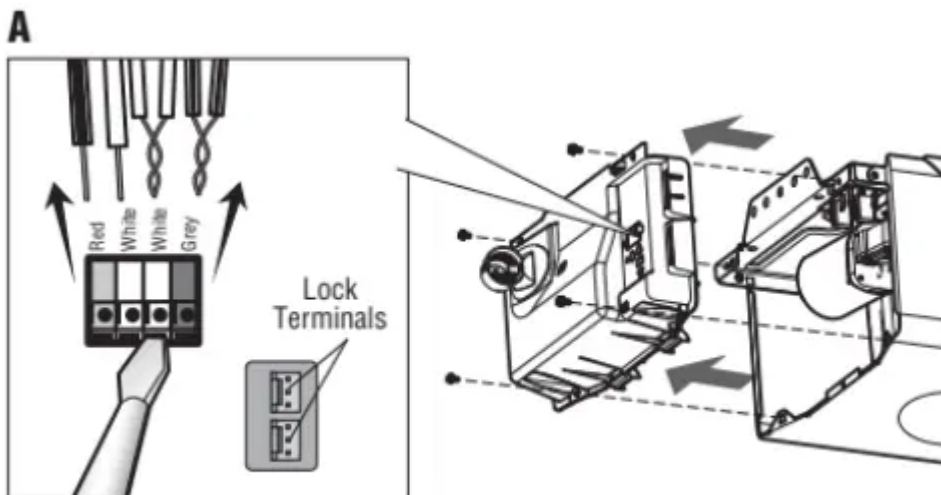
1.3 Disconnect electrical and battery power (if applicable) to the garage door opener.



2. Remove the receiver logic board

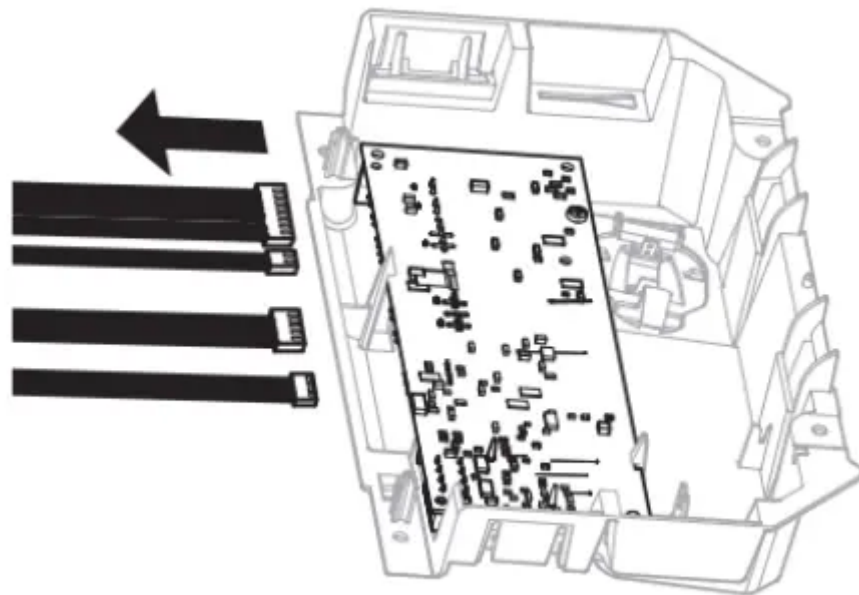


2.1 Disconnect the wires from the quick-connect terminals (A). Disconnect any wires from the lock terminals. Remove the receiver logic board end panel from the garage door opener.



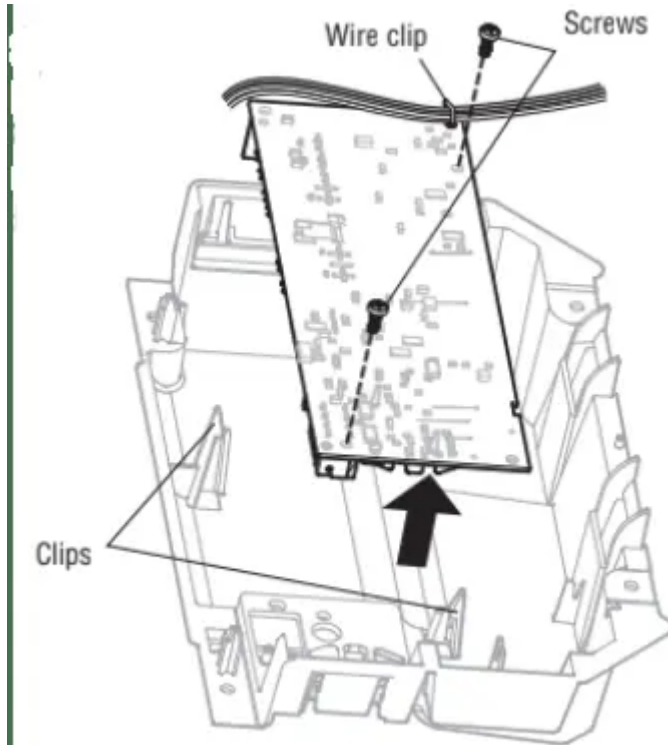
To insert or remove the wires from the terminal, push in the tab with a screwdriver tip.

2.2 Unplug the wire harnesses from the receiver logic board. You may need needle-nosed pliers, to



remove the harnesses.

2.3 Remove the receiver logic board from the end panel by removing the 2 screws and releasing

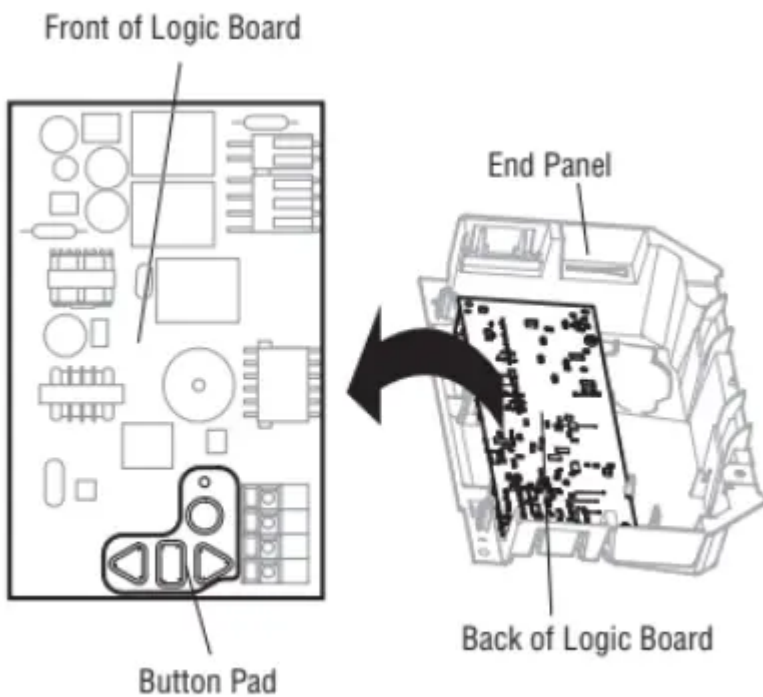


the 2 clips.

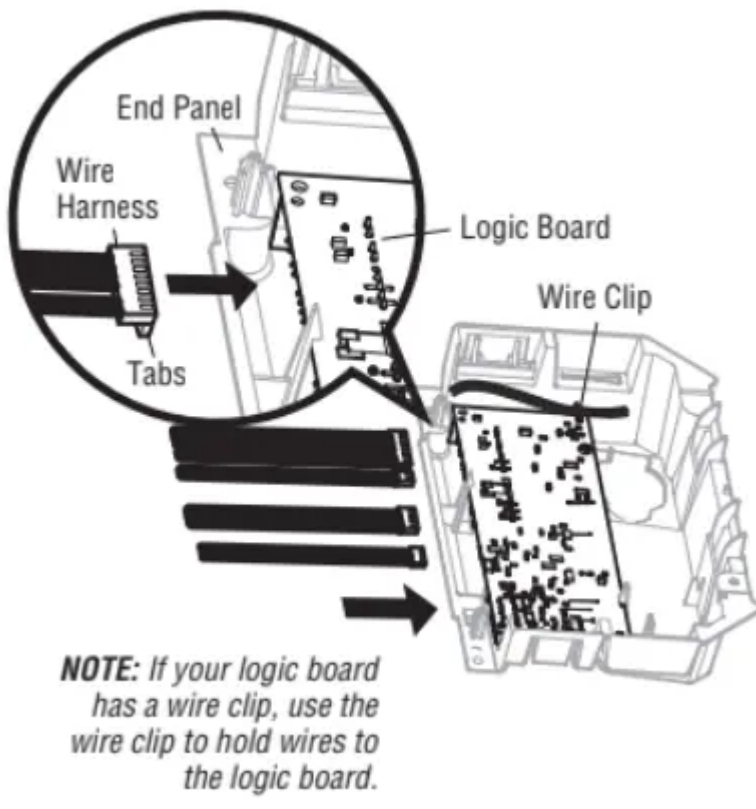
### 3. Install a new receiver logic board

**For garage door openers without a battery backup system:** remove the button pad from the logic board and replace it with the alternate button pad.

3.1 Connect the wire harnesses to the new receiver logic board. When reconnecting the wire harness, be sure the tabs on the wire harness are facing the end panel, not the logic board.



3.2 Insert the antenna wires through the holes in the end panel. Snap the receiver logic board into place on the end panel and fasten it with screws.



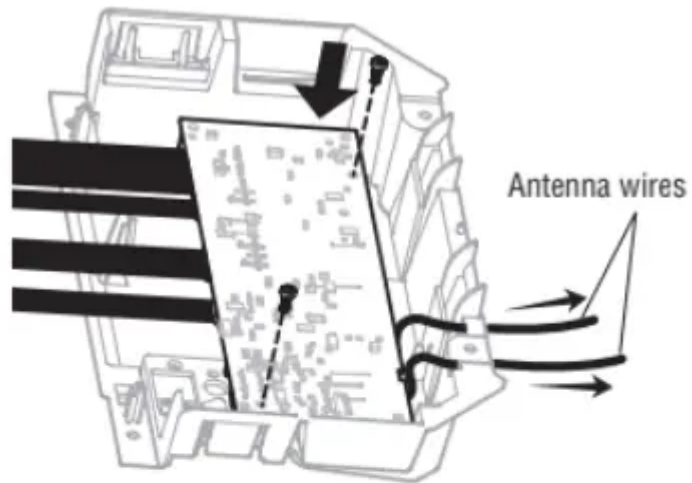
3.3 Reinsert the wires.

Door control wires:

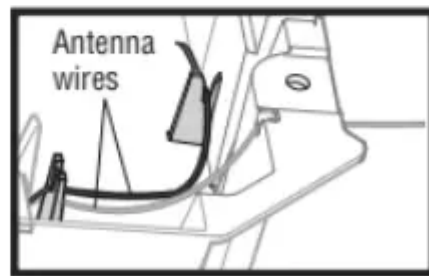
- white wire into the white terminal.
- white/red wire into the red terminal.

Safety sensor wires:

- white wires into the white terminal.
- white/black wires into the grey terminal.



**NOTE:** Some models will require the short antenna wire to be placed in the traps of the end panel.



Reconnect any lock terminal wires.

3.4 Install the light lens by aligning it with the hinges and snapping it into place. Reconnect power.

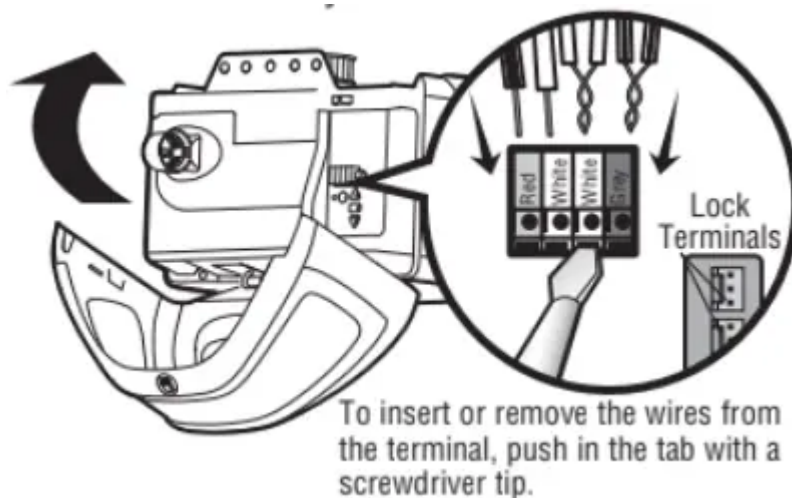
**NOTE:** When installing the light lens, ensure the antenna wires are hanging straight down.

**NOTE:** A test of the safety reverse system is necessary for safe operation.

## Programming

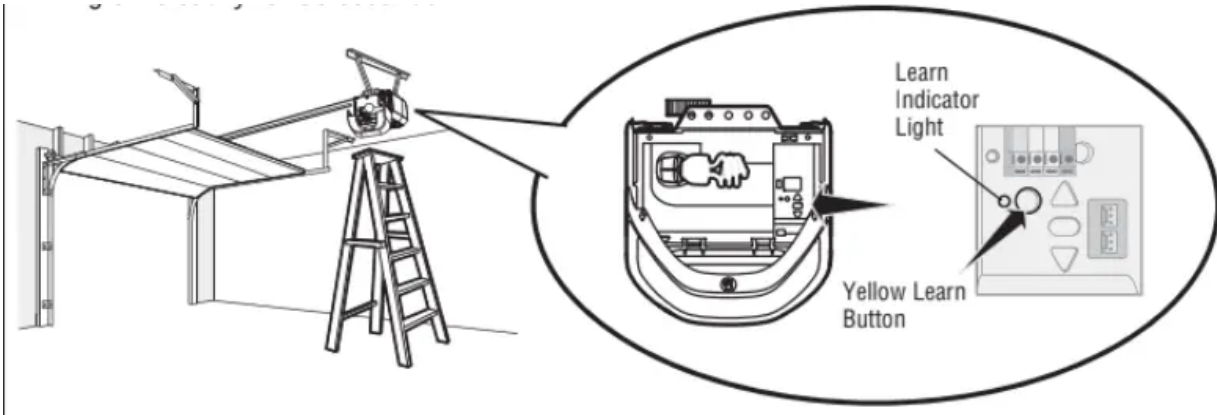
### 1. Program a remote using the learn button

1.1 Press and release the Learn button on the garage door opener. The Learn indicator light will



glow steadily for 30 seconds.

1.2 Within 30 seconds, press and hold the button on the remote control.



1.3 Release the button when the garage door opener light blinks. It has learned the code. If light bulbs are not installed, two clicks will be heard.



To program the Wi-Fi garage door opener to your network refer to your owner's manual.

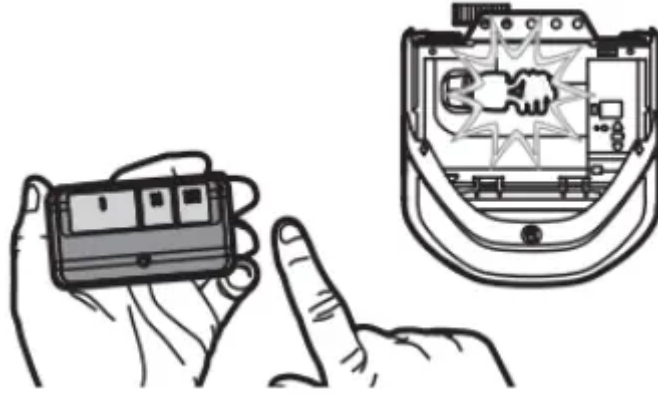
## Adjustment

### 1. Program the travel

**WARNING:** Without a properly installed safety reversal system, persons (particularly small children) could be SERIOUSLY INJURED or KILLED by a closing garage door.

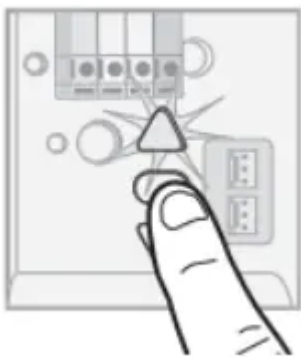
- Incorrect adjustment of garage door travel limits will interfere with the proper operation of the safety reversal system.
- After ANY adjustments are made, the safety reversal system **MUST** be tested. The door **MUST** reverse on contact with a 1-1/2"(3.8 cm) high object (or 2x4 laid flat) on the floor.

1.1 Press and hold the Adjustment Button until the UP Button begins to flash and/ or a beep



is heard.

1.2 Press and hold the UP Button until the door is in the desired UP position.

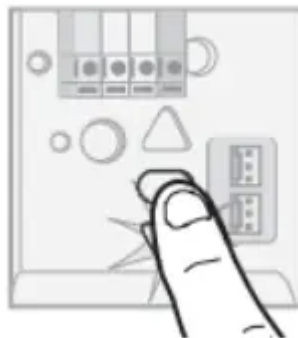


**NOTE:** The UP and DOWN Buttons can be used to move the door up and down as needed.

1.3 Once the door is in the desired UP position press and release the Adjustment Button. The garage door opener lights will flash twice and the DOWN Button will begin to flash.



1.4 Press and hold the DOWN Button until the



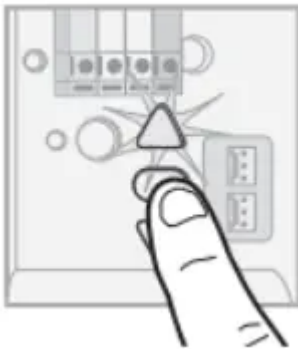
door is in the desired DOWN position.

**NOTE:** The UP and DOWN Buttons can be used to move the door up and down as needed.

1.5 Once the door is in the desired DOWN position press and release the Adjustment Button. The garage door opener lights will flash twice and the UP Button will begin to flash.



1.6 Press and release the UP Button. When the door travels to the programmed UP position, the DOWN Button will begin to flash.



1.7 Press and release the DOWN Button. The door will travel to the programmed DOWN position. The programming is complete.



\* If the garage door opener lights are flashing 5 times during the steps for Program the Travel, the programming has timed out. If the garage door opener lights are flashing 10 times during the steps for Program the Travel, the safety reversing sensors are misaligned or obstructed. When the sensors are aligned and unobstructed, cycle the door through a complete up-and-down cycle using the remote control or the UP and DOWN buttons. The programming is complete. If you are unable to operate the door up and down, repeat the steps for Programming the Travel.

## 2. Test the Safety Reversal System

**WARNING:** Without a properly installed safety reversal system, persons (particularly small children) could be SERIOUSLY INJURED or KILLED by a closing garage door.

- The safety reversal system **MUST** be tested every month.
- After ANY adjustments are made, the safety reversal system **MUST** be tested. The door **MUST** reverse on contact with a 1-1/2" high (3.8 cm) object (or 2x4 laid flat) on the floor.

2.1 With the door fully open, place a 1-1/2 inch (3.8 cm) board (or a 2x4 laid flat) on the floor, centered under the garage door.

2.2 Press the remote control or wall-mounted door control to close the door. The door should stop and reverses when it makes contact with the board. The door returns to the previous open position. The opener beeps and lights flash 5 times.

2.3 If the door reverses, remove the board. The test is complete



If the door stops but does not reverse:

1. Review the installation instructions provided to ensure all steps were followed.
2. Refer to Adjustment Step 1 and set the down limit closer to the garage floor. **NOTE:** On a sectional door, make sure adjustments do not force the door arm beyond a straight up and down position.
3. Repeat the Safety Reversal test.

### 3. Test the Protector System®

**CAUTION:** Without a properly installed safety reversing sensor, persons (particularly small children) could be SERIOUSLY INJURED or KILLED by a closing garage door.

3.1 Open the door. Place the garage door opener carton in the path of the door.



3.2 Press the remote control push button to close the door. The door will not move more than an inch (2.5 cm), and the garage door opener lights will flash 10 times.



The garage door opener will not close from a remote control if the LED in either safety reversing sensor is off (alerting you to the fact that the sensor is misaligned or obstructed).

If the garage door opener closes the door when the safety reversing sensor is obstructed (and the sensors are no more than 6 inches [15 cm] above the floor), call for a trained door systems technician.

#### 4. Synchronize the Door Control

To the garage door opener, press the push bar until the garage door opener activates (it may take up to 3 presses). Test the door control by pressing the push bar. Each press of the push bar will activate the garage door opener.

##### **Warning**

This content is compiled from multiple sources and is provided for reference purposes only. It may not be complete or fully applicable to all situations. If you are unable to resolve your issue, please contact the product manufacturer or an authorized service provider for official support.