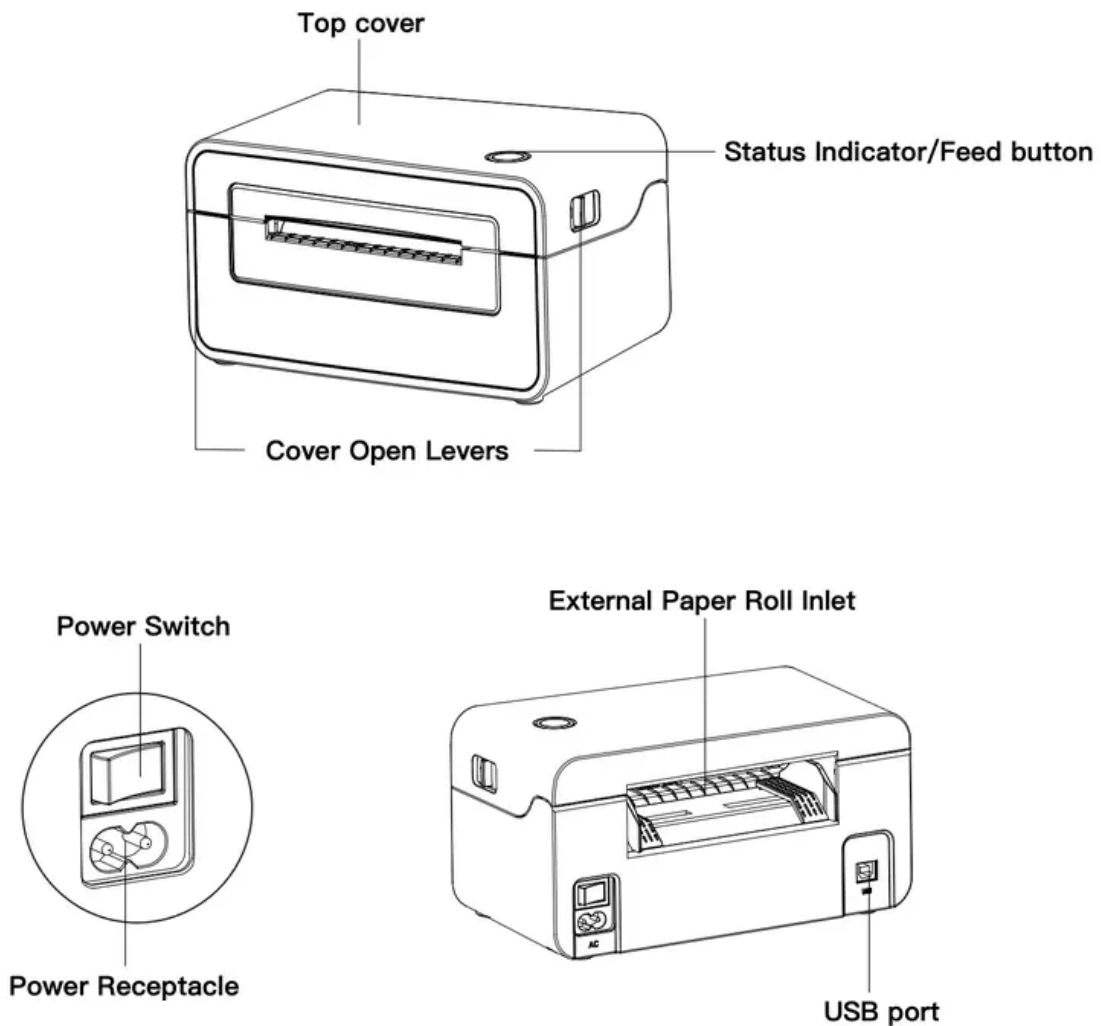


Appearance and Components

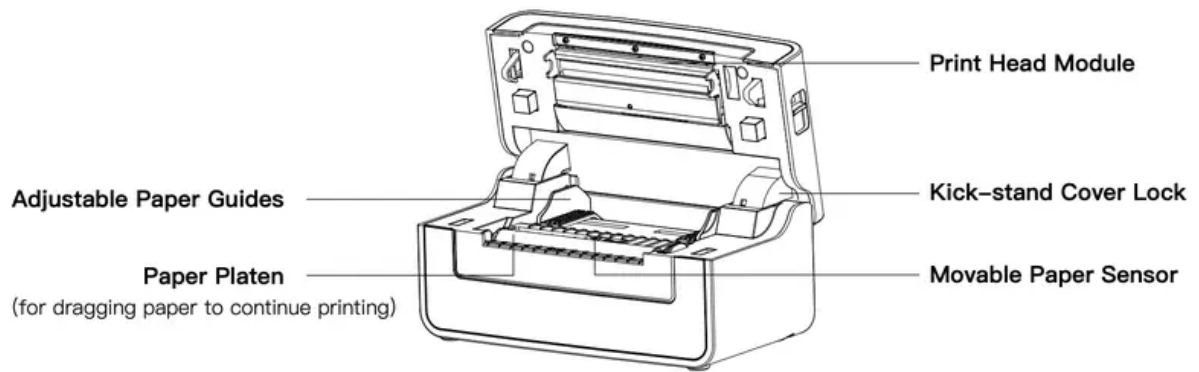
Warning

- The print head can be very hot after printing. Do not touch the print head. Do not allow the print head to be scratched or damaged in any way.
- Do not use unprovided accessories.
- Do not attempt any repairs on your own. Contact sales for assistance. Keep away direct sunlight, water, dust, and other debris.
- Unplug when idle for a long time. Keep away from children.

Front view



Inside view

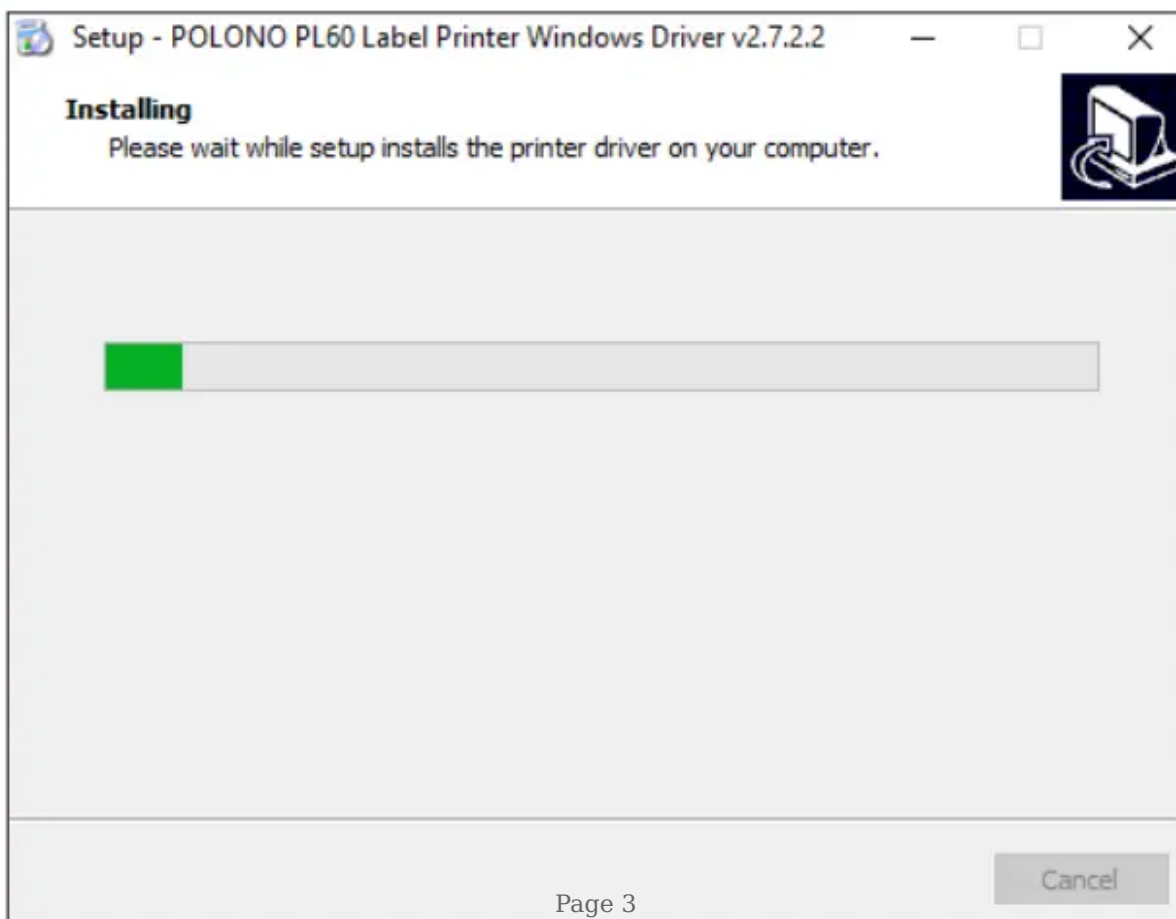
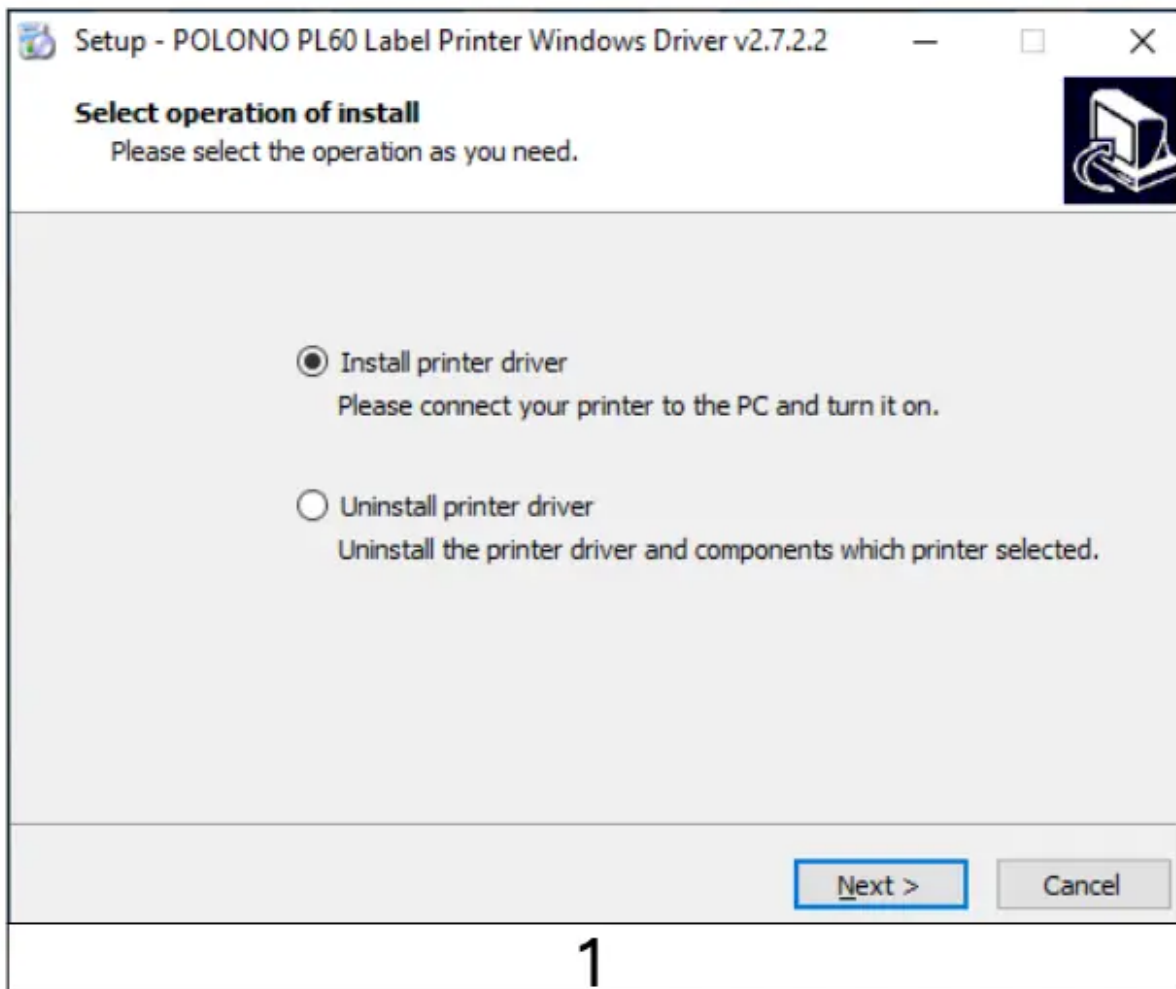


Note: The above diagrams are to be used for reference only; parts and components may vary depending on your model.

Windows setup

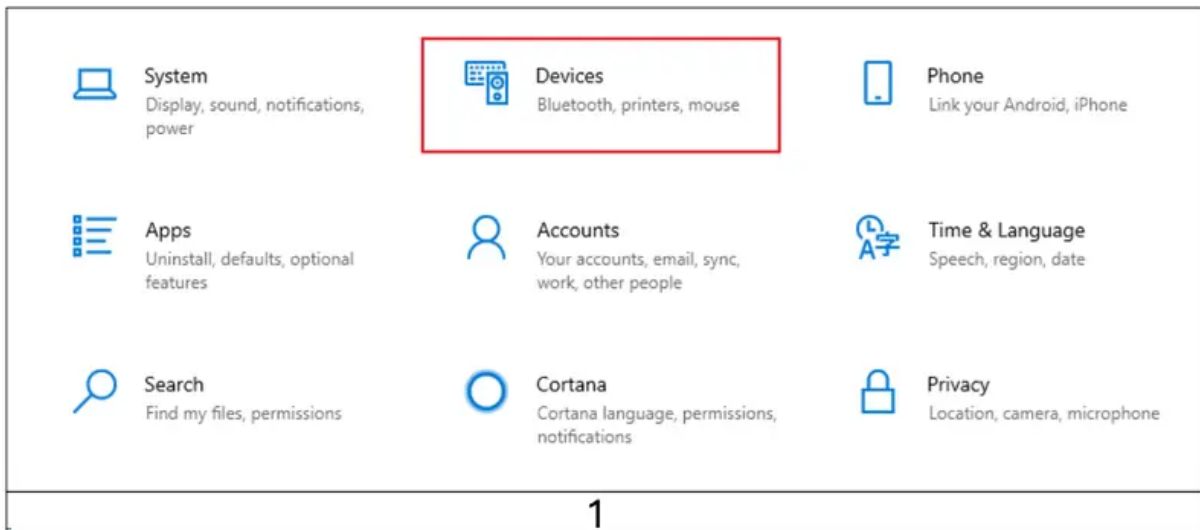
Driver installation

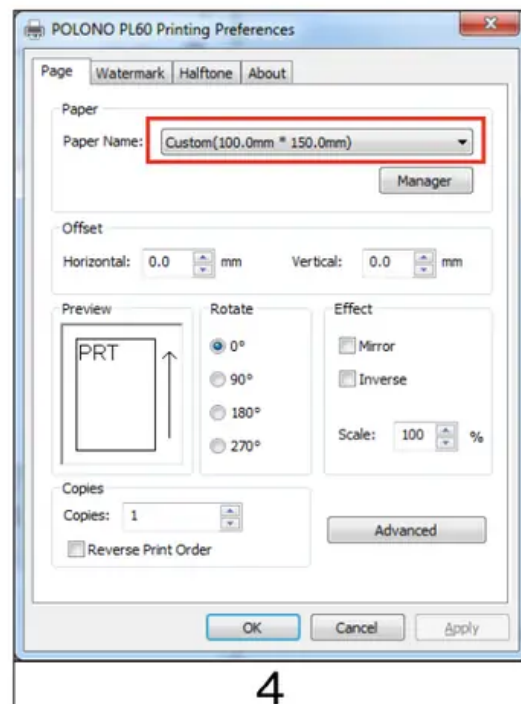
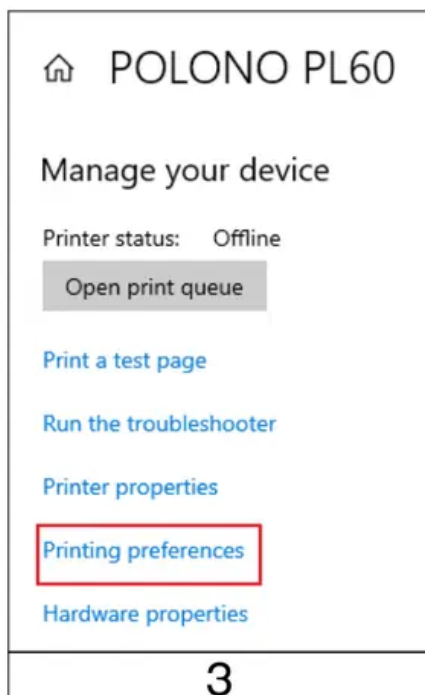
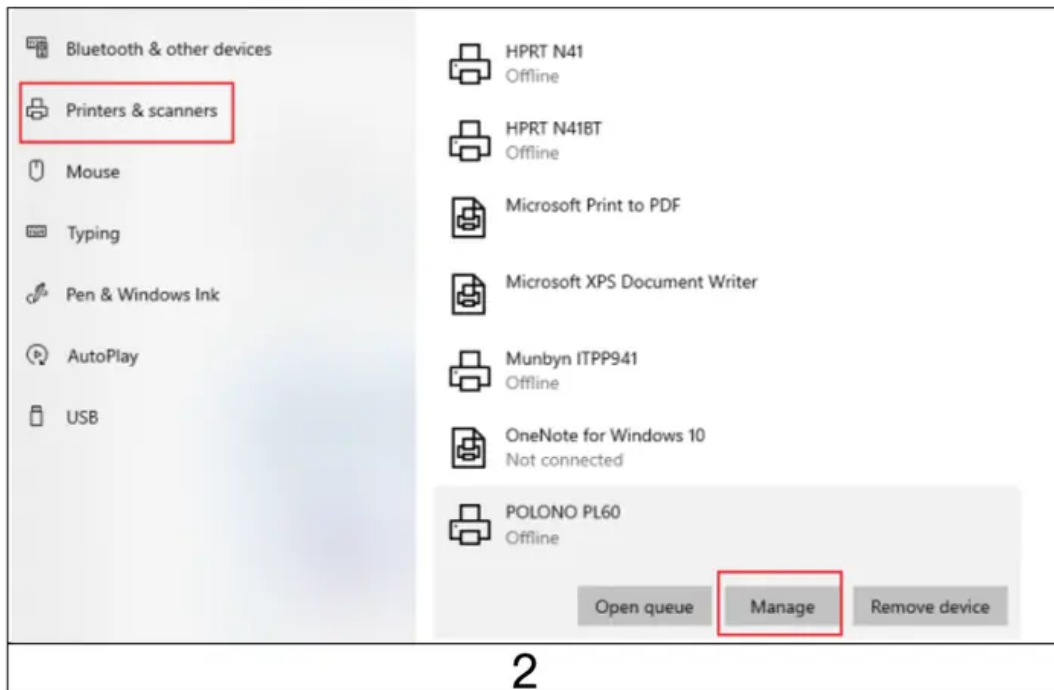
1. Before installation, plug and power on the printer. Connect it to your computer or laptop.
2. Browse the U-disk for the windows driver file and click on it to install.



Set up

1. Go to “settings”-“device”-“Printers & scanners”-“PL60”-“manage”-“Printing preferences” to set up page size or other settings.





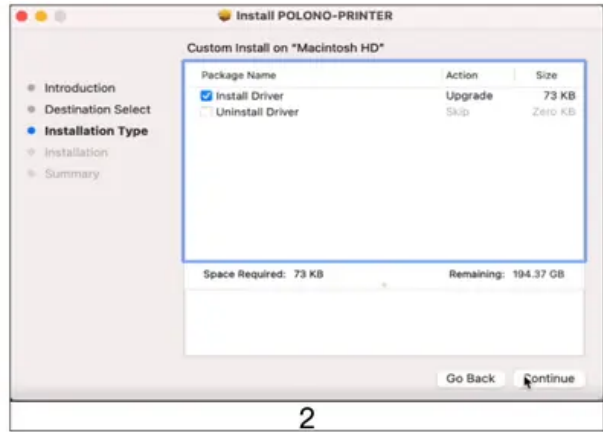
Mac setup

Driver installation

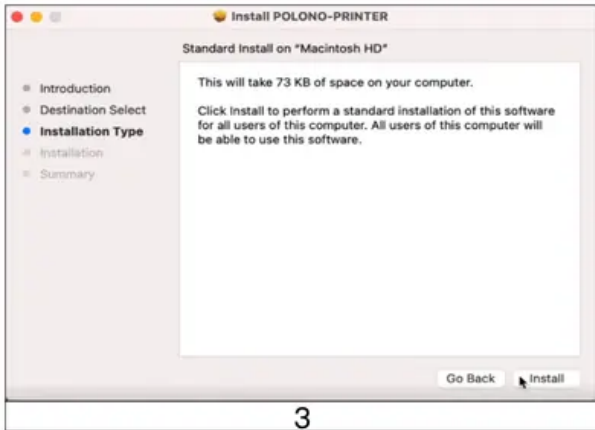
Browse the U-disk for the windows driver file and click on it to install.



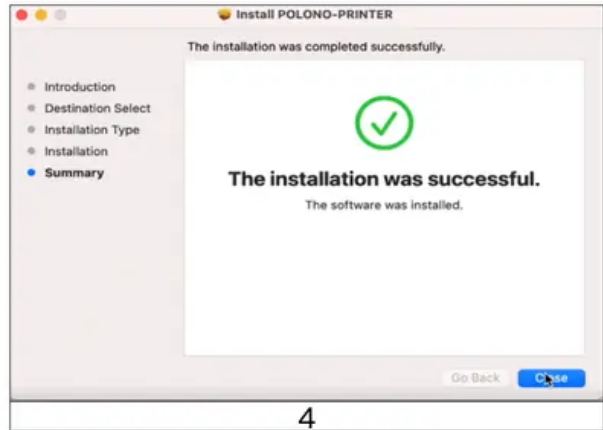
1



2

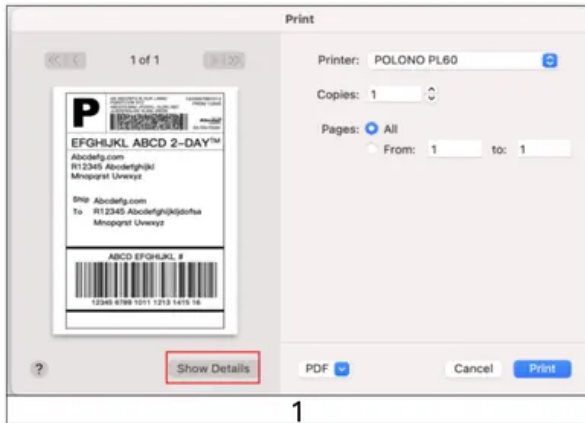


3

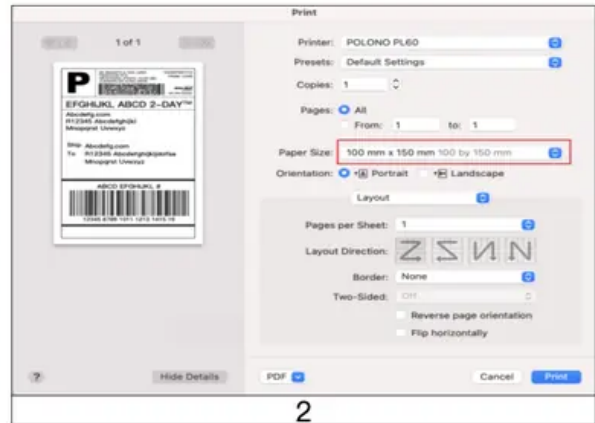


4

Page Setup



1

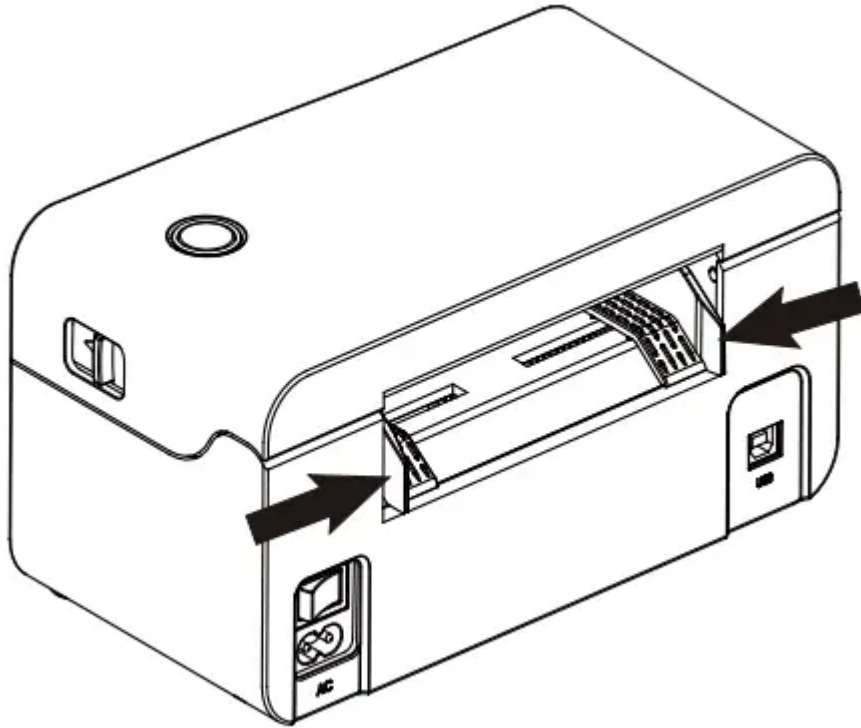


2

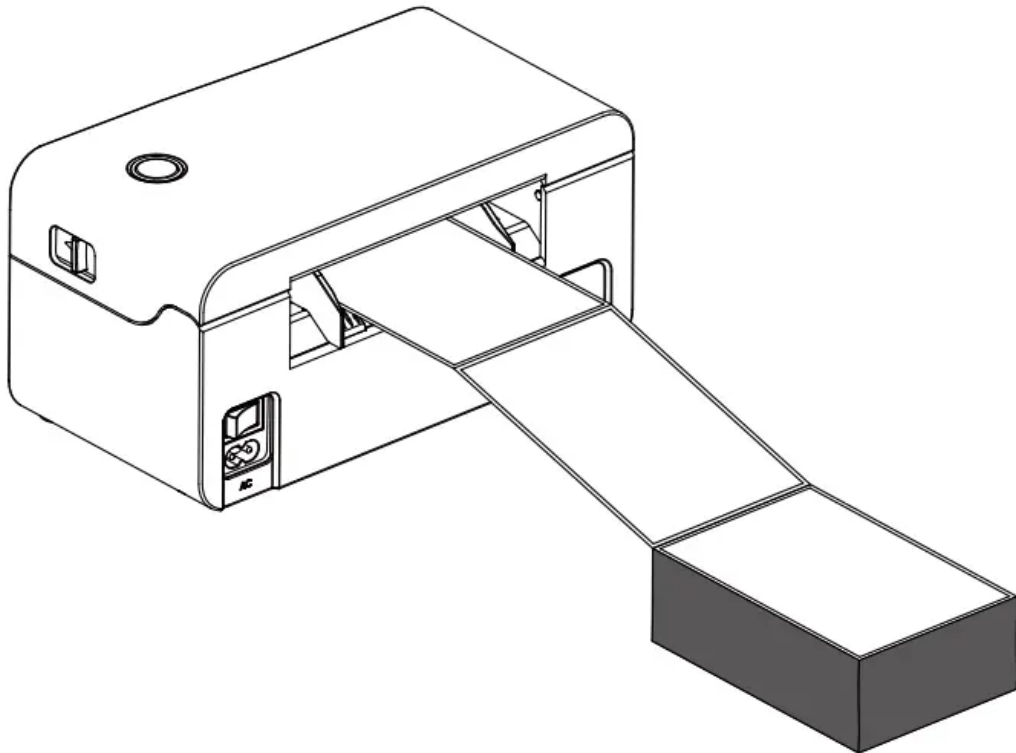
Loading the Roll

Loading Folding Paper

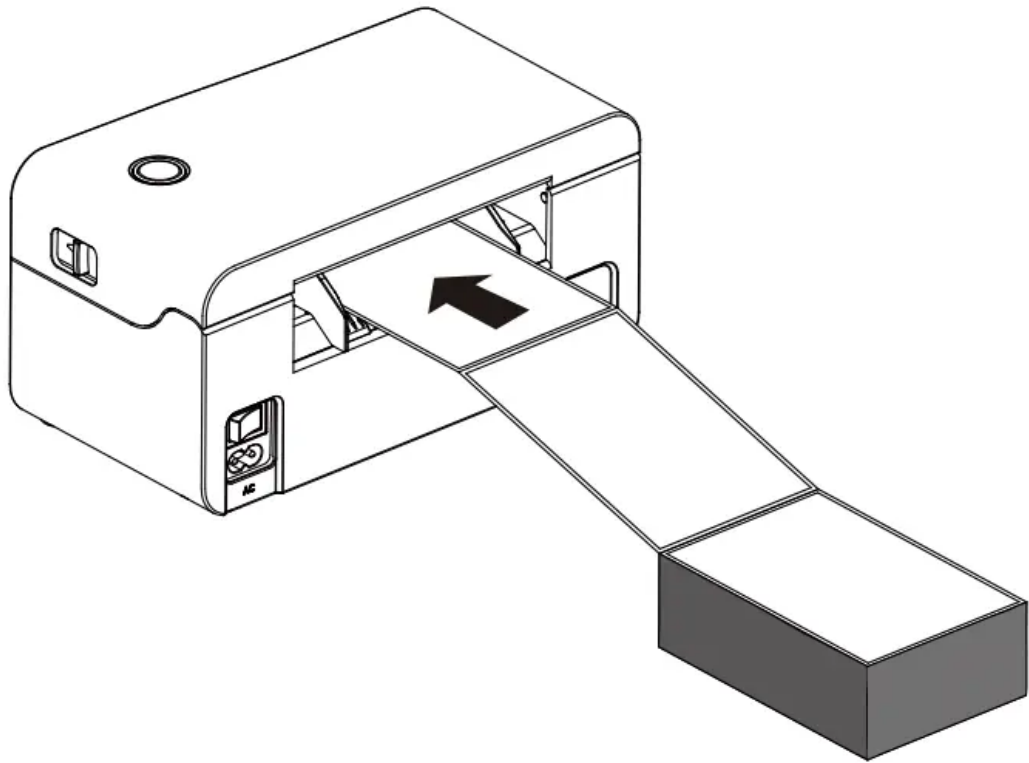
1. Power on the printer and adjust the paper guides to fit the width of paper.



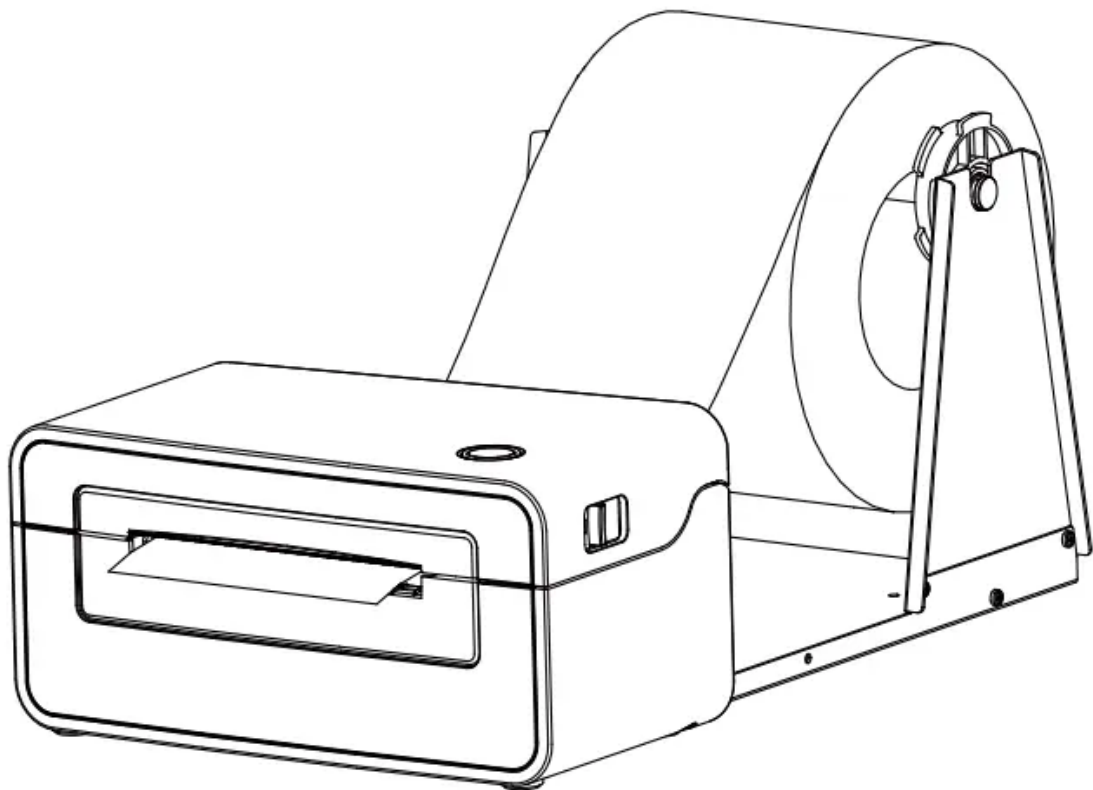
2. Insert the paper into the external paper roll inlet.



3. The paper will automatically feed into the printer.



Loading External Paper Roll

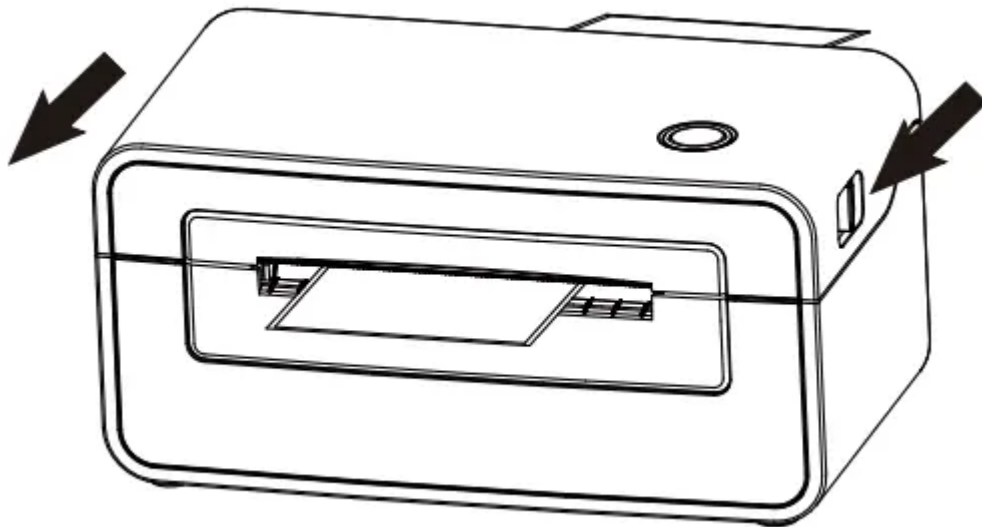


Note:

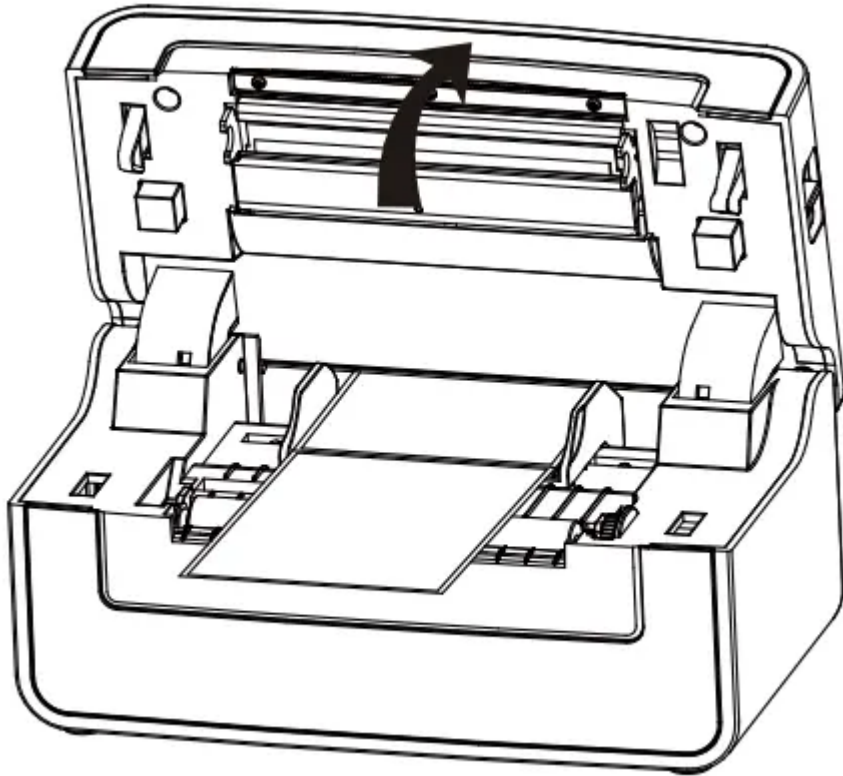
1. When the printer is powered on, the paper will automatically feed through the path.
2. The external paper roll holder needs to be aligned with the hooks at the bottom of the printer.
3. Whether label holder including depends on your order.

Clearing Paper Jams

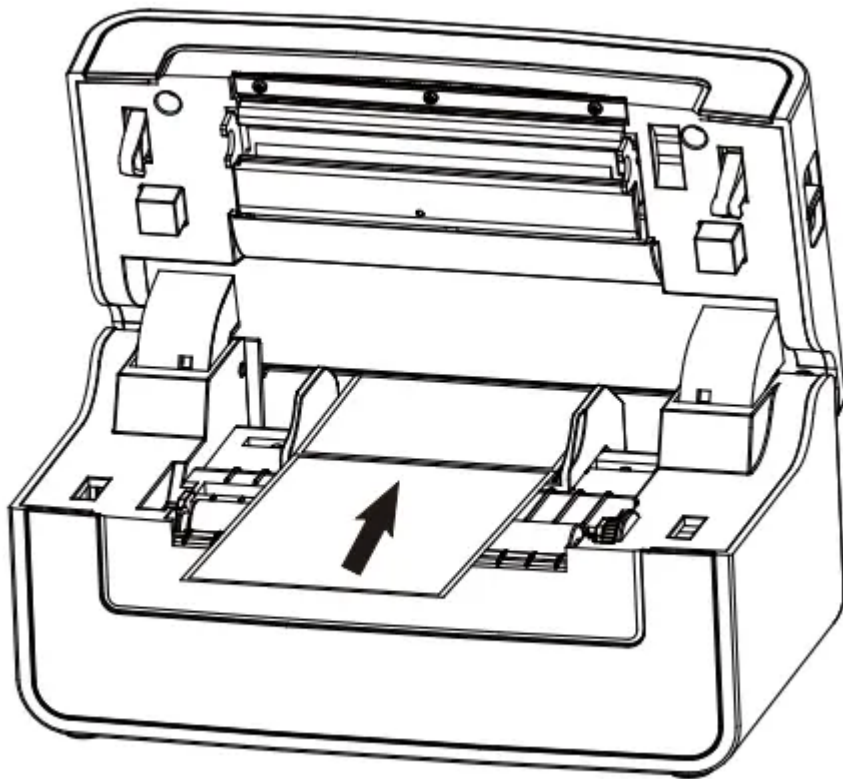
1. Press the cover open levers and hold upwards.



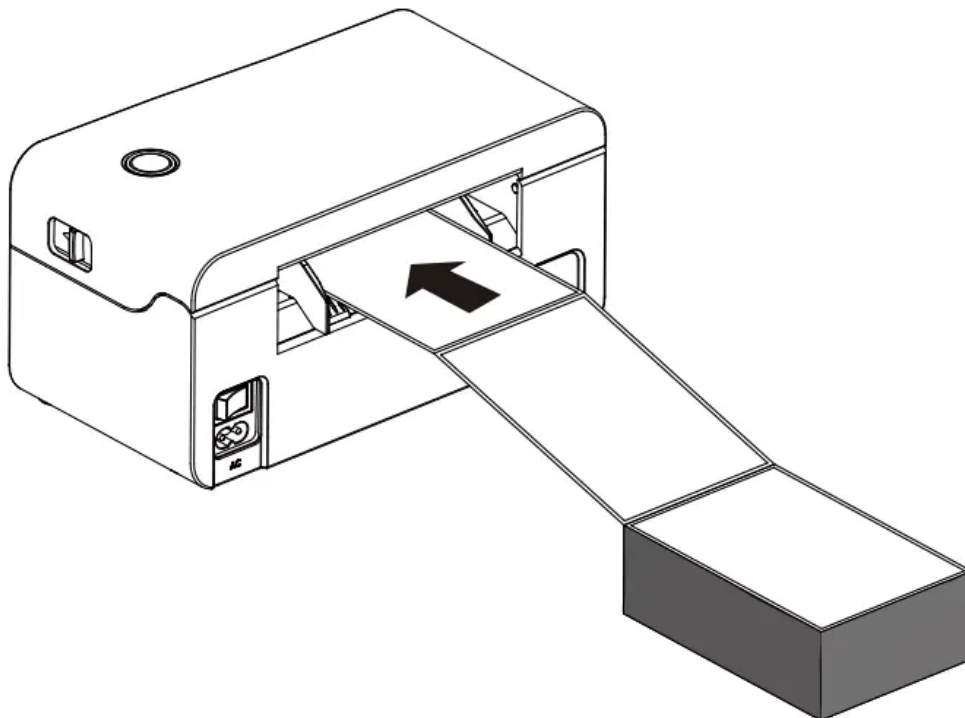
2. Open the printer cover.



3. Take out the jammed paper, then clean up the print head and platen.



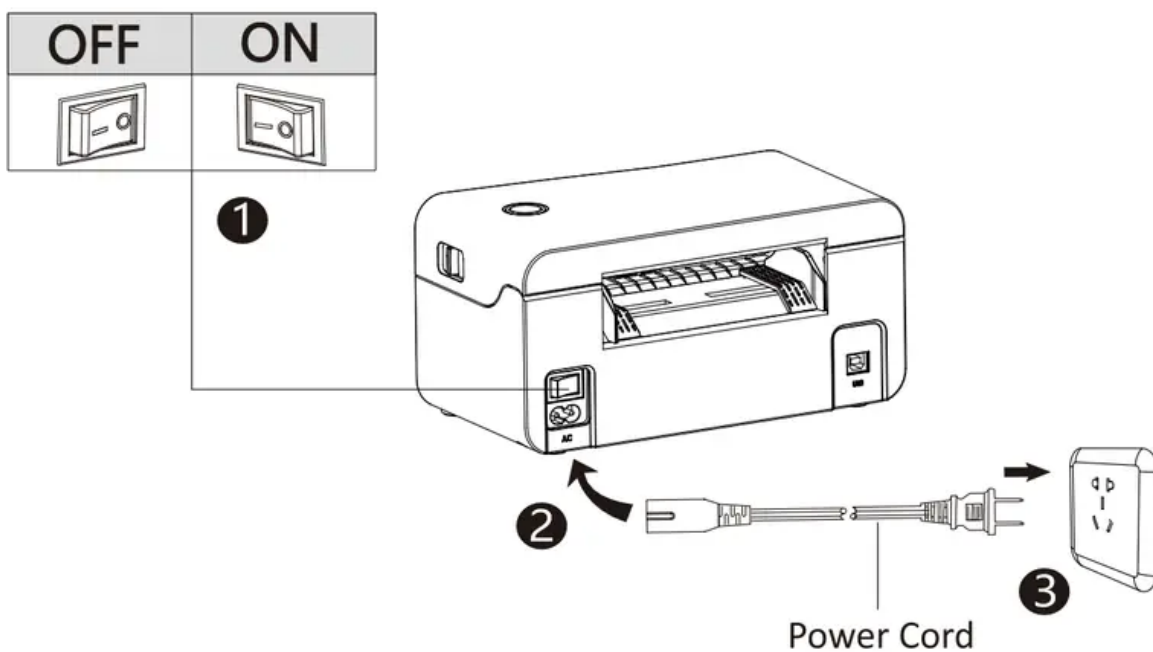
4. Reload new paper.



Note: Power off the printer when clearing a paper jam.

Power Connection

1. Connect the power cord to the power receptacle on the printer.
2. Connect the other end of power cord to the socket.



Note: Please refer to the PL60 User Manual for the tool and driver installation.

Cleaning and Maintenance

1. Power off the printer and unplug the power cord from both ends. Open the printer's top cover.
2. If the printer has just been used for printing, allow the print head to cool down for 2-3 minutes.
3. Clean the print head with alcohol using a dust-free cloth or while wearing rubber gloves.
4. Wait until the alcohol has completely dried.
5. Plug and power on the printer. Press and hold the feed button for 2-3 seconds to print a test page.

FAQs

1. I installed the printer's driver. Why am I still unable to print?

The printer needs to be powered on and connected to the computer prior to installing the driver. Uninstall the driver and try reinstalling.

2. Why am I printing blank labels?

Check to make sure you are using thermal labels and that the labels are oriented correctly with the label facing upwards.

3. How do I calibrate the printer?

Press and hold the feed button until the indicator (blue) flashes 2 times. Release the feed button and the printer will begin calibrating.

4. How do I set or change

Windows: Devices - Printers & Scanners - PLONO PL60 - Manage - Printing preferences. Additional settings can be found in the Advanced tab.

Mac: Launchpad - System Preferences - Printers & scanners - PL60 - Options & Supplies

Specifications

Printing method:	Direct thermal
Resolution:	203dpi(8dots/mm)
Max printing speed:	150mm/s (approximately 6"/s)
Printing width:	2–4.65 in./50–118 mm
Media thickness:	0.003– 0.0087 in./80–220 μm
Power:	30V/1.5A
Operating environment:	41–104°F(5–40°C), 30%–85%,non–condensing
Storage environment	–4°F–122°F(–20–50°C), 10%–90%,non–condensing
Dimension	220(L) x 120.49(W) x 108(H)mm
Weight	3.3lbs/1.5Kg
Driver support	Windows, Mac, Linux

Indicator Status

Color	Action	Indicator Status
Blue	Steady	Ready
Blue	Slow flash	Dump mode
Purple	Steady	Overheated print head
Red	Steady	Top cover is not closed
Red	Slow flash	Out of paper
Red	Quick flash	Abnormal label calibration
Orange	Slow flash	Paper jam, Label positioning is abnormal
Green	Steady	Printing
Green	Slow flash	Paused print job

Warning

This content is compiled from multiple sources and is provided for reference purposes only. It may not be complete or fully applicable to all situations. If you are unable to resolve your issue, please contact the product manufacturer or an authorized service provider for official support.

