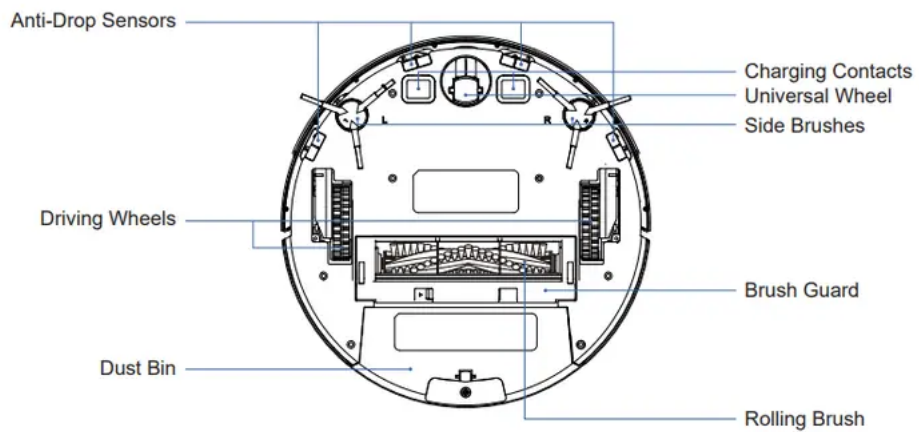
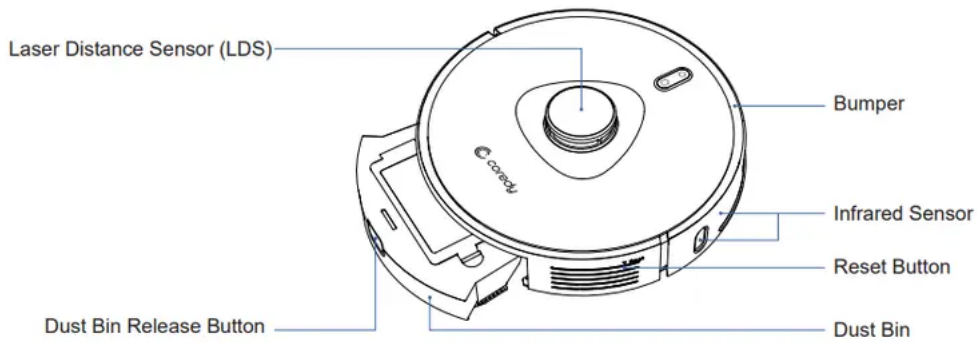
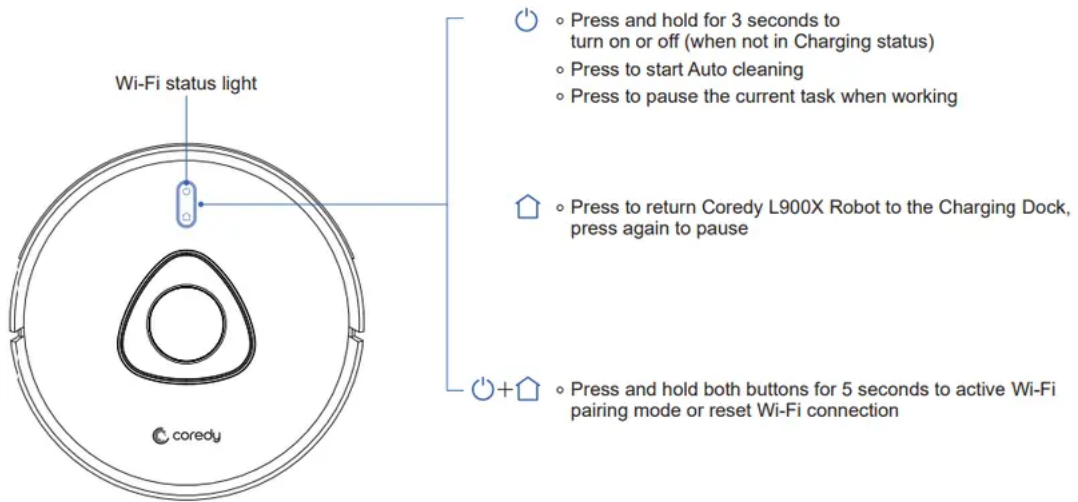
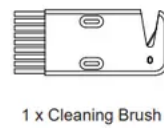
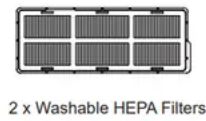
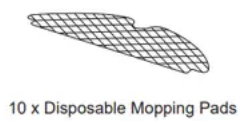
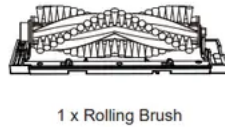
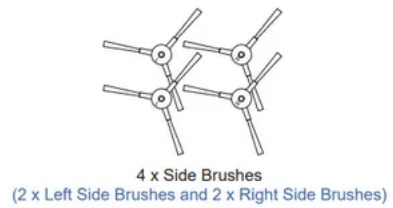
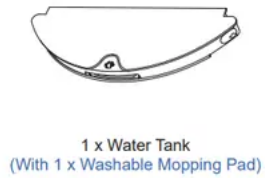


# Product Diagram

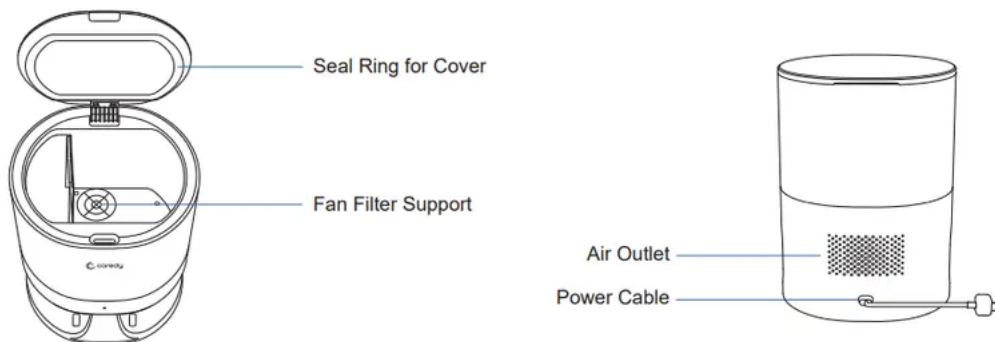
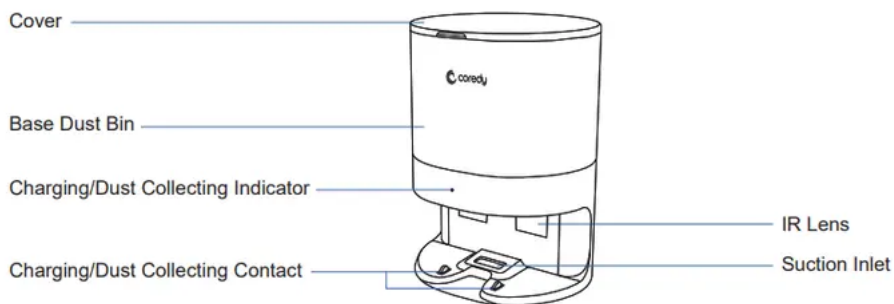
## Robot



## Accessories



## Automatic Dirt Disposal Base



## LED Indication

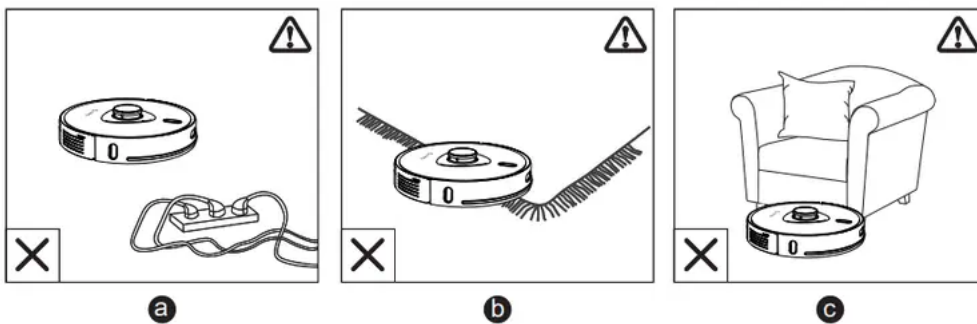
You can see the status of Coredy L900X Robot from the LED indicators

Lights Status	Status
🔌 Solid blue	Standby / Cleaning / Fully Charged
🏠 Solid purple	Returning to Charging Dock
🏠 Pulsating purple	Charging
🔌 Rapidly flashing red	Error indication (along with voice prompts) Refer to the "Troubleshooting" section Voice Alert of this manual for solutions.

Light Status	Status
🔌 Flashing purple slowly	Device reset successfully, enter Wi-Fi pairing mode
🔌 Rapidly flashing blue	Wi-Fi connecting
🔌 Solid blue	Wi-Fi connected

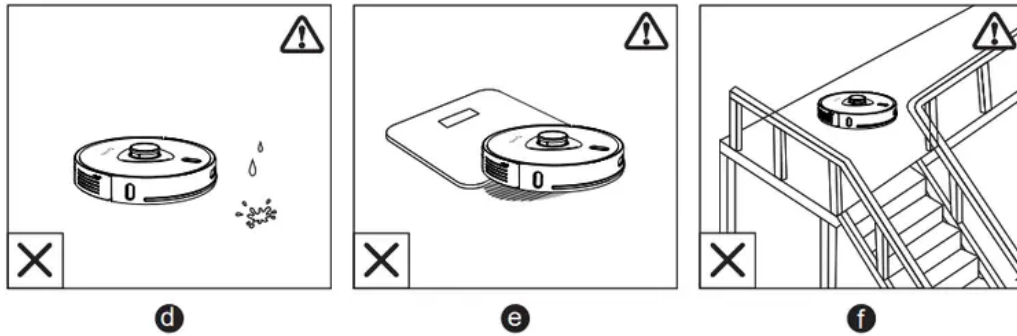
## Operating and Programming

### Important Tips Before Use



- Please remove power cords and small objects on the floor that may entangle Coredy L900X Robot.
- Please fold tasseled edges of area rugs back underneath to prevent tangling Coredy L900X Robot. Avoid cleaning very dark-colored high-pile rugs or rugs thicker than 1.02 in/26 mm as they may cause Coredy L900X Robot in malfunction.
- Keep Coredy L900X Robot away from spaces lower than 4.17 in/106 mm to prevent Coredy L900X Robot from getting stuck. If necessary, place a physical barrier to block off

the problem areas.



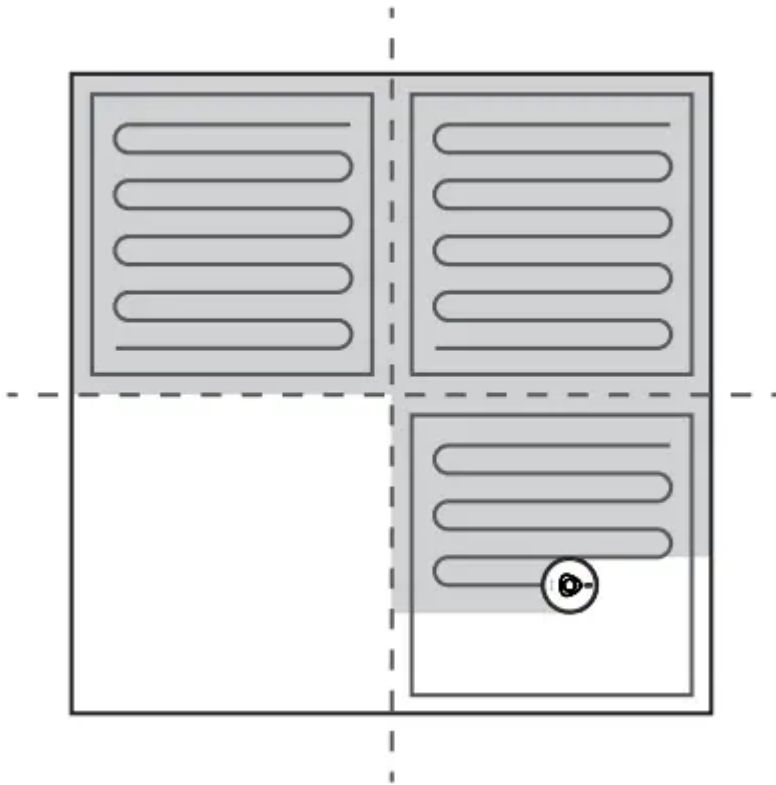
- d. Keep Coredy L900X Robot away from wet areas during cleaning.
- e. Coredy L900X Robot may climb on top of objects less than 0.67 in/17 mm in height (the height will be reduced if the mopping module is installed). Remove these objects if possible.
- f. Anti-drop sensors will prevent Coredy L900X Robot from tumbling down the stairs and steep drops in most cases. Sensors are less effective if dirty or used on carpeted/reflective/very dark-colored floors. It is recommended to place physical barriers to block off areas where Coredy L900X Robot may fall down.

## Map Navigation and Management

### Navigation

Once Auto cleaning gets started, Coredy L900X Robot will move from the Charging Dock, automatically scan to generate maps, intelligently plan its cleaning route, and divide the space into zones.

The cleaning paths are planned along the walls, following a bow-shaped cleaning method to accomplish in every zone.



### Real-time Mapping & Floor Plan

Real-time mapping can help you learn about the cleaning path and environment easily. A floor plan will be built up after cleaning. The map will be updated instantly during each cleaning to ensure normal navigation.

#### To create a complete floor plan:

1. Open your doors for Coredy L900X Robot to map each room;
2. Remove any objects that may be in the way

**Note:** Do not remove the Charging Dock after a floor plan is created.

### Relocation & Remapping

If the position of Coredy L900X Robot / Charging Dock is adjusted or the surroundings are changed significantly, Coredy L900X Robot will try to relocate and may remap to match the surroundings.

- Coredy L900X Robot will resume cleaning if the relocalization is successful.
- If the relocalization fails, Coredy L900X Robot will remap to ensure normal navigation with a new cleaning.
- If the original map has the virtual boundary information, Coredy L900X Robot will not start a new cleaning to avoid going across the restricted zone.

**Note:**

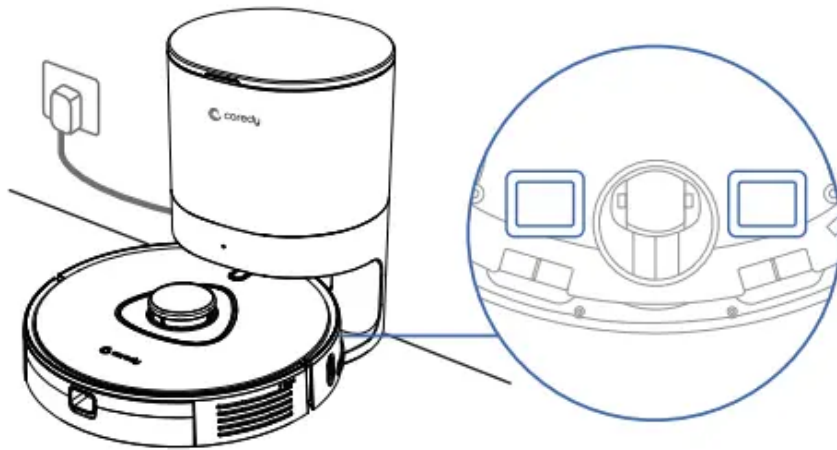
Make sure Coredy L900X Robot starts each cleaning from the Charging Dock.

During cleaning, do not move the device frequently. If moved, place Coredy L900X Robot back to the original position.

### Quick Start

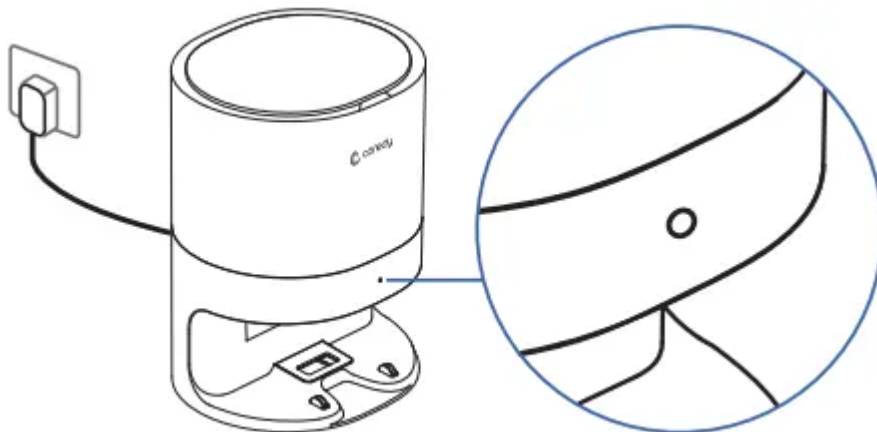
- 1.** Plug in the Automatic Dirt Disposal Base, ensure the base is powered, which is indicated by a pulsing white power indicator on it

**Note:** Fully charge your Robot before your first use. Manually align Robot with the Charging Contacts.



- 2.** Indicators of Dirt Disposal Base

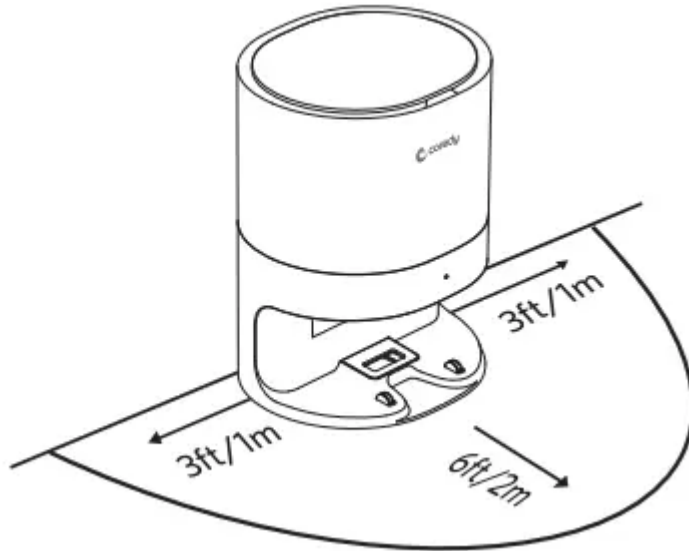
- Breathing White: Power on (no device on the base)
- Solid White: Charging/Fully Charged (device on the base)
- Flashing Orange: Dust Bag is full/Dust Bag is not installed
- No Light: Power off



### 3. Automatic Dirt Disposal Base Position

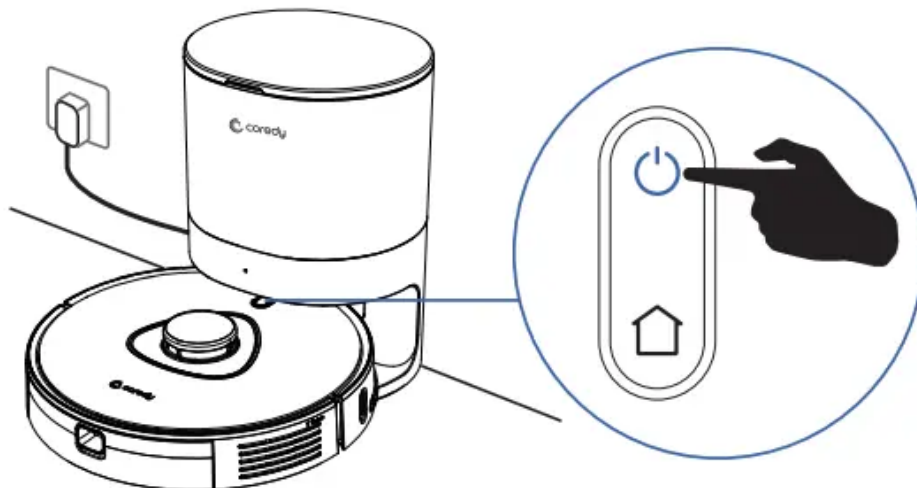
Place it against the wall and make sure it is in a clear and uncluttered area:

- 2 meters (6 feet) in the front of the base.
- 1 meter (3 feet) on both sides of the Charging Dock.





### 4. Activate the Robot

Initial Use, Press and hold on the power  button 3 seconds on Robot to power on the Robot.



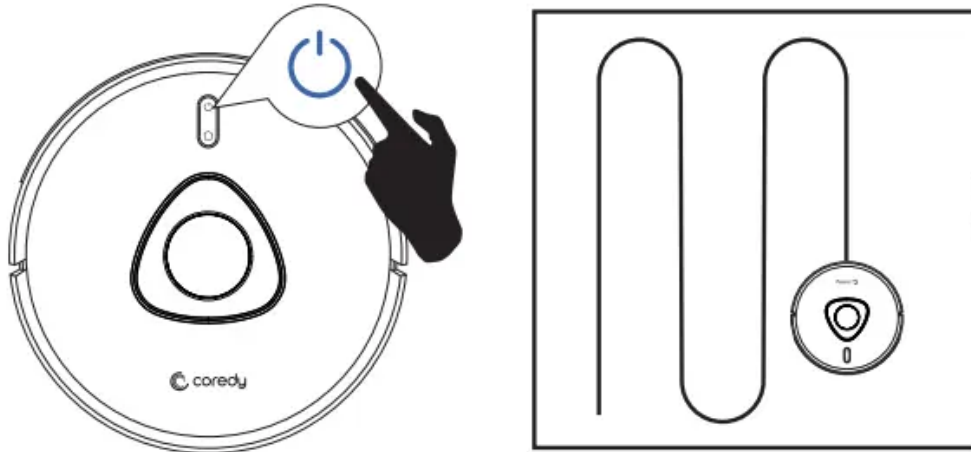
### 5. Start Cleaning Cycle

- Press the power button  and hold on about 3 seconds to wake up the Coredy L900X Robot.
- Press the power button  again to start a cleaning cycle.




If the battery gets low before finishing a cleaning cycle, robot return to recharge and resume cleaning.

If the Charging Dock is inaccessible, Robot will not be able to recharge, please place the robot manually on

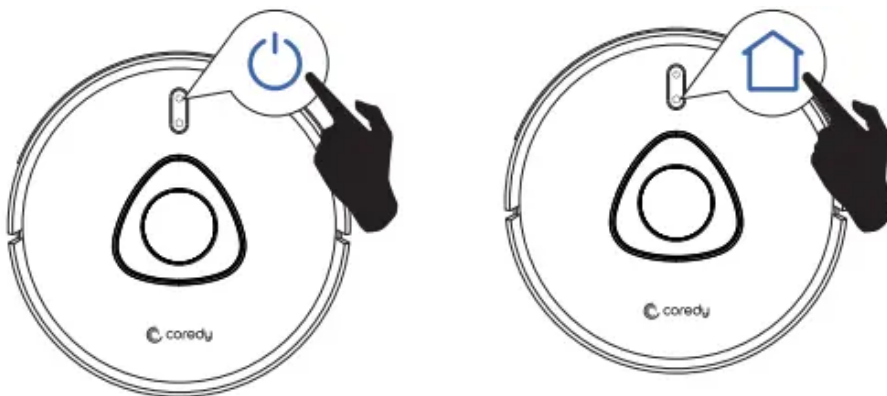
Charging Dock for charging. (Refer Activate the Robot).





## 6. Pause

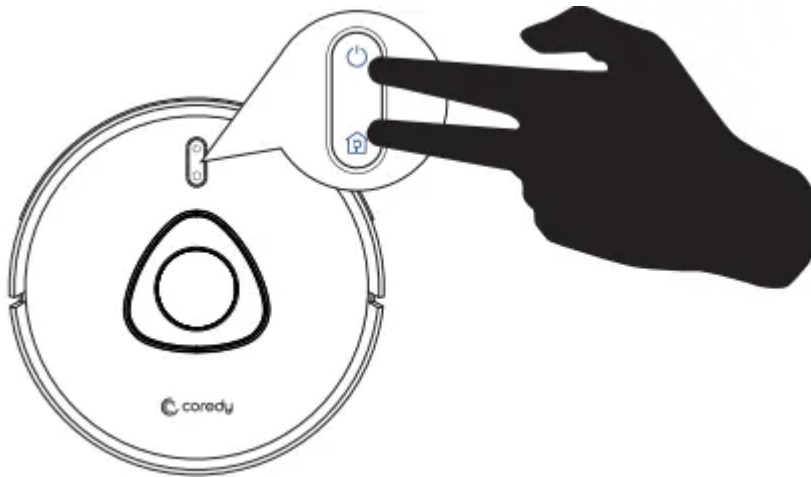
- To pause the robot during a cleaning cycle press the  button on robot.
- To resume the cleaning cycle, press button  again.
- To send robot back to the Charging Dock, press  button on Robot.

**Note:** The actions listed above, you can also manage to do in CoreDy App.



## 7. Wi-Fi Pairing Mode

Press the  button and  button on Robot simultaneously and hold on about 5 seconds , when you hear voice prompts from the Robot and the power indicator light flashing PURPLE slowly. The Robot is in Wi-Fi pairing mode

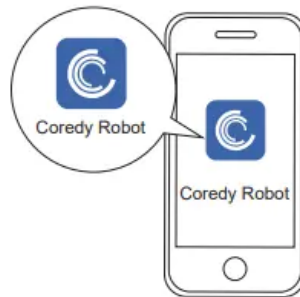


## Use Your Coredy L900X Robot with the “Coredy Robot” APP

To enjoy all available features, it is recommended to control your Robot via the Coredy Robot App.



Scan the QR code as below to download the latest version of App or download from the App Store (iOS devices) or Google Play (Android devices).

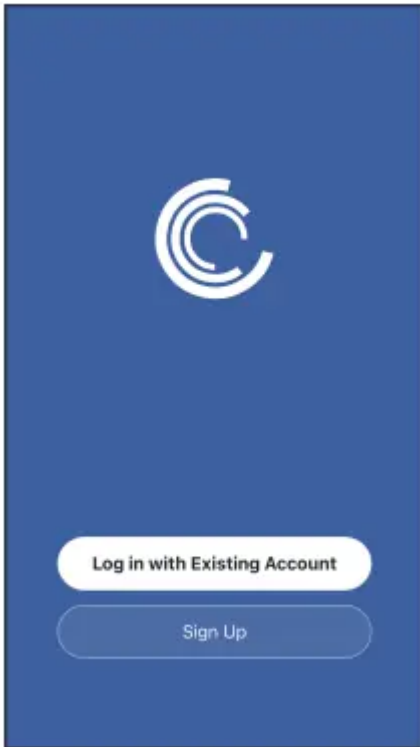


### Before you start, make sure that:

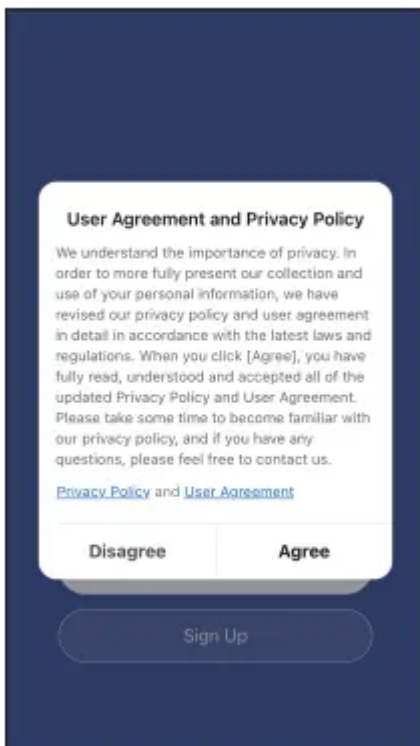
1. Your smartphone or tablet is connected to a 2.4GHz Wi-Fi network ( Only support 2.4GHz network).
2. Your smartphone or tablet is running iOS 8.0 (or above) or Android 4.4 (or above).
3. Open the Coredy Robot App and create a user account.
4. Tap the “+” icon to add Coredy L900X Robot to your “Coredy Robot App” account.
5. Follow the instructions in the App to set up the Wi-Fi connection.

# 1. Create A User Account

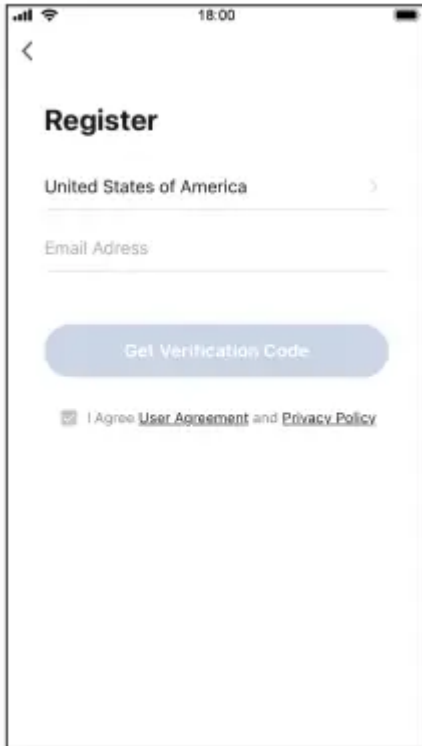
1. Open the App and create a user account.



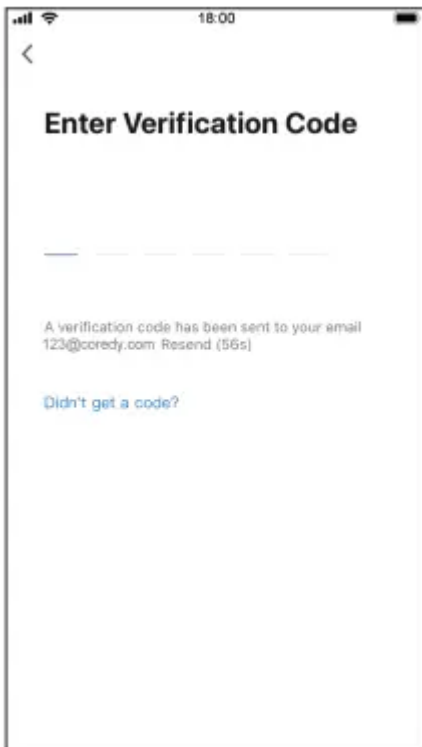
2. Agree the "Privacy Policy".



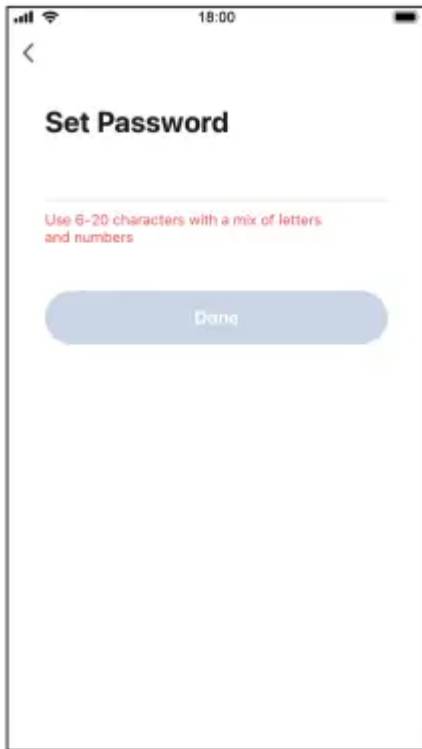
3. Create your account with the mobile phone number or E-mail address.



4. Enter verification code.

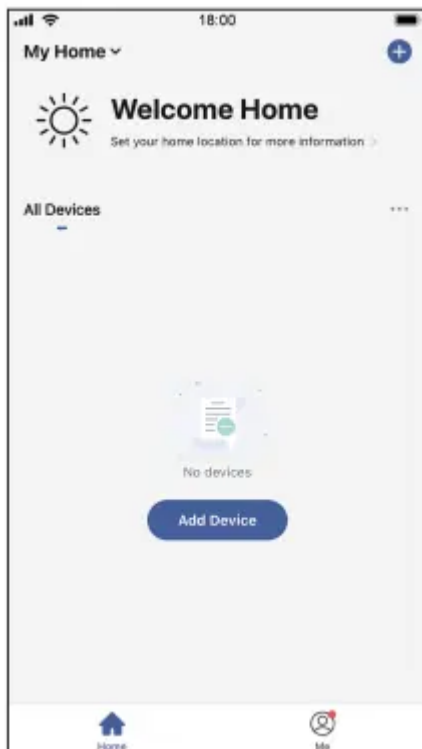


5. Set your password with 6-20 characters.



## 2. Add Device

1. Press "Add Device" or tap the "+" in the top right corner to add.



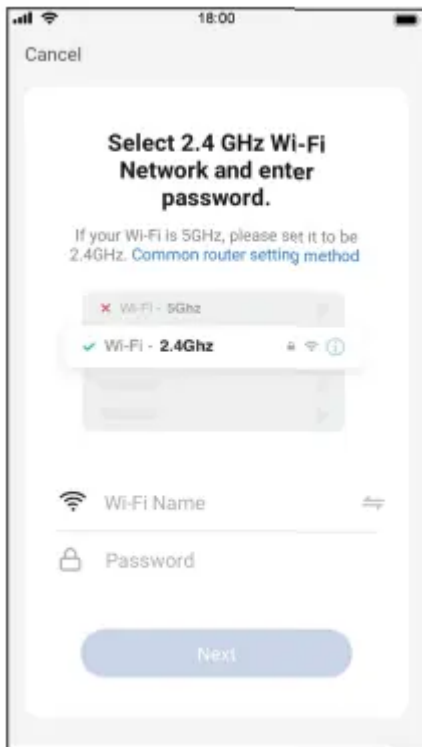
2. Add a Coredy L900X Robot to your Coredy account.



### 3. Wi-Fi Connection

1. Select the network you want Robot to use. You need to select an exact Wi-Fi as you use at usual. If no Wi-Fi network list for you choosing, check and set your phone Wi-Fi setting first, then press " ⇌ " to connect and choose the exact network you need. Enter Wi-Fi

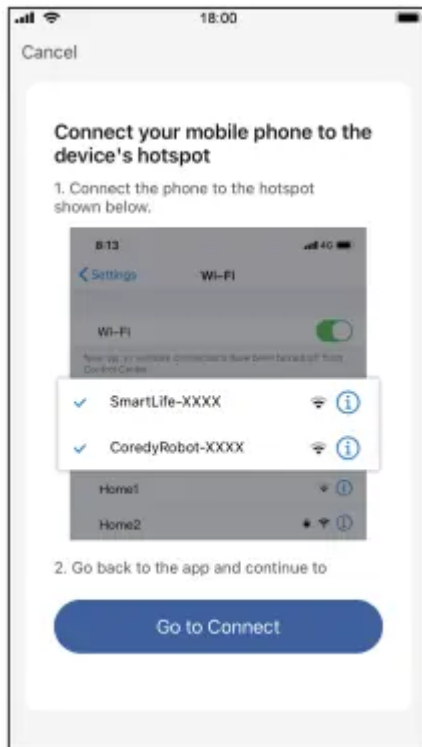
password, press "Next" to connect.



2. Press and hold the power and recharge both button on the Robot around 5 seconds, make sure the indicator light on Robot is slowly flashing purple, then press the "Next" button to next step.



3. Press "Go to Connect", to connect the mobile phone to the device's hotspot.



4. Select the hotspot "CoredyRobot-XXXX" of Robot to connect.





5. Waiting for the connecting until "100%".




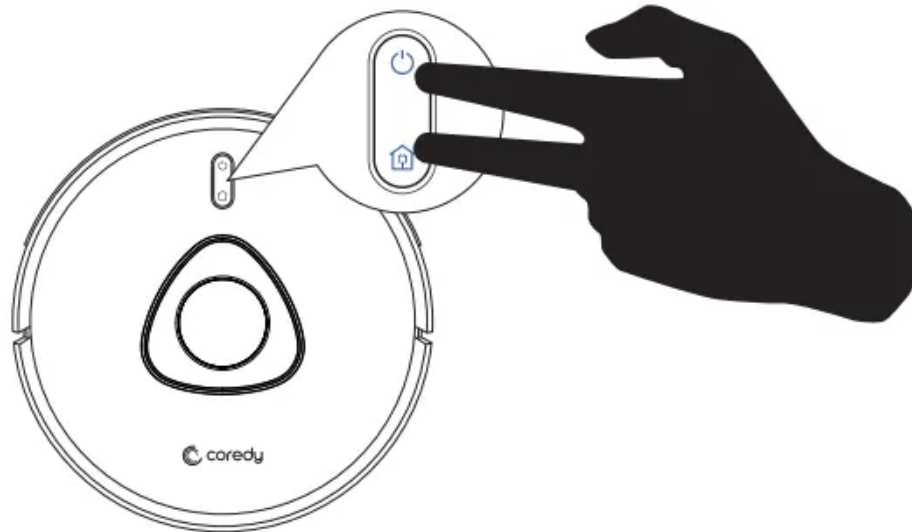
6. Your device is added successfully, press "Done".




#### 4. Reset the Wi-Fi Connection

Press and hold the  &  button simultaneously for 5 seconds on Coredy L900X Robot to reset the Wi-Fi connection.

You will hear a voice prompt when the Wi-Fi connection has been reset, and the Wi-Fi status light  will slowly flash purple. Then you can follow the Wi-Fi instructions in the Coredy Robot App to set up the Wi-Fi connection.



#### 5. Wi-Fi Status Light

 (Wi-Fi Status Light)	Status
Flashing purple slowly	Wi-Fi pairing mode
Rapidly flashing blue	Wi-Fi Connecting
Solid blue	Wi-Fi connected successfully

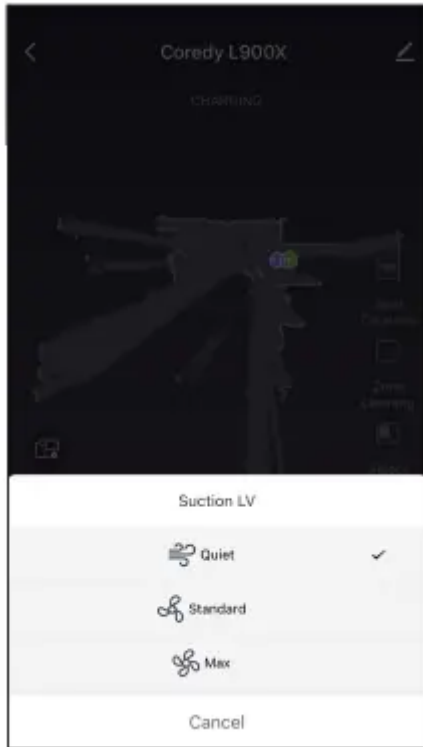
#### 6. Coredy APP Control

Follow the instructions in the App to set up the Wi-Fi connection.

After connecting successfully, you can control Coredy L900X Robot with the App, you can select cleaning at your desired suction level, schedule cleaning, view the cleaning map, set up “Zone cleaning” or “No-Go” zones, check the network connection status, and access additional features.

### 1. Suction LV

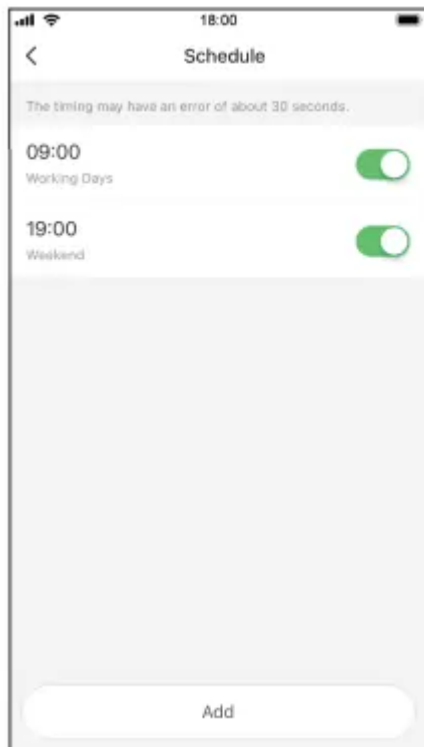
In Coredy Robot App you can select a suction power level according to your needs: Quiet(Default)/ Standard/- Max.



### 2. Schedule

You can set the time and customize the cleaning schedules from Monday to Sunday on the Coredy Robot App.

This function is available in the App only



### 3. Zone cleaning

In this mode, set up a cleaning zone in the CoreDy Robot App.

Robot L900X will clean this zone only and return to the charging base after cleaning.

Start zone cleaning only after Robot has created the map.



#### 4. Edit no-go zone

In the Coredy App, you can set up a “No-Go Zone” as a virtual restricted area. This feature is designed for dividing the cleaning zones, not for isolating hazardous areas. No add-ons devices or boundary strips required.



## 7. Using Amazon Alexa

Follow the instructions to control your Coredy device with Amazon Alexa. If you run into any difficulties during the process, please scroll down to the bottom for **Troubleshooting**.

### Before you start, make sure that:



Your Coredy device is connected with the Coredy Robot App.

You have an Alexa-enabled device (i.e. Amazon Echo, Echo Dot and Amazon Tap).

The Amazon Alexa App is installed on your smart device and you have created an account.

To control Coredy device with Amazon Alexa:

For Robot only, do the following steps:

1. Open the Alexa App and select “Skills & Game” from the  menu.
2. On the Skills screen, search for “ Smart Life”.
3. Select your Smart Life skill, then press "Enable".
4. Login with your Coredy Robot account so Alexa can control your Coredy device.

5. Using “Smart Life” skill (for Robot only):

You do not need to discover your device as you can control the Robot with your voice by saying specific commands.

Alexa only supports two commands currently as following:

- "Alexa, turn on Coredy L900X"
- "Alexa, turn off Coredy L900X"

6. If you add two or more Robot devices to Coredy Robot App, you can edit name for each Coredy robot on Coredy App or Alexa, they're Synchronous. After named, giving a command by using your robot name. Examples, named "Robot 1" then Alexa can support two specific commands as following:

- "Alexa, turn on Robot 1"
- "Alexa, turn off Robot 1"

## Troubleshooting

### **What do I do if Alexa fails to discover my device?**

Check if there are any Internet connection problems.

Try to reboot the smart device and re-discover the device on Alexa.

### **Why does the device's status Show “Offline” on Alexa?**

Your wireless connection might have been lost. Reboot the smart device and re-discover on Alexa.

Internet access on your router could be unavailable. Check if your router is connected to the Internet and try again.

### **Why can't I control Coredy device with Amazon Alexa?**

Check if there are any Internet connection problems.

Check if you are using the proper commands when talking to Alexa. You must say the wake word “Alexa” first when making your request.

Repeat your question. Speak naturally and clearly to Alexa.

Make sure your Coredy device is at least eight inches away from walls or other objects that may cause interference (such as microwave ovens).

## **8. Using Google Assistant**

These instructions will help enable you to control your Coredy device with Google Assistant.

Your Coredy device is connected with the Coredy Robot App.

You have a Google Assistant enabled device (i.e. Google Home).

The Google Home App is already installed on your smart device, and you have created an account.


To control Coredy device with Google Assistant:

For Robot only, do the following steps:


1. Open the Google Home App.
2. Say "OK Google, talk to Robot" to the Google Assistant-enabled device (i.e. Google Home) to initiate the Google action for Robot.
3. Follow the instructions in the Google Home App to authorize Google Assistant with your Coredy Robot account.
4. To control Robot with your voice, say specific commands to Google Assistant :
  - "OK Google, turn on Coredy L900X"
  - "OK Google, turn off Coredy L900X"
  - "OK Google, find Coredy L900X"
  - "OK Google, go home Coredy L900X"
5. If you add two or more Robot devices to Coredy Robot App, you can edit name for each Coredy robot on Coredy App or Google Assistant, they're Synchronous. After named, giving a command by using your robot name. Examples, named "Robot 2" then Google Assistant can support the specific commands as following:
  - "OK Google, turn on Robot 2"
  - "OK Google, turn off Robot 2"
  - "OK Google, find Robot 2"
  - "OK Google, go home Robot 2"

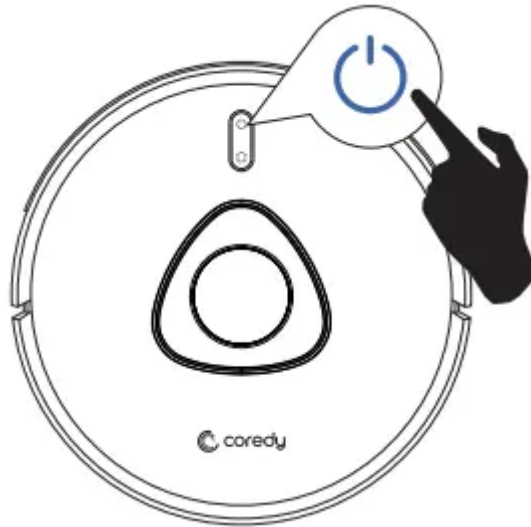
## **How L900X Robot Cleans Your Home**


### **Select a Cleaning Mode**

You can press  at any time to pause the current cleaning cycle.

## 1. Auto Cleaning

- Press  to start cleaning in Auto Mode.



- Press  again to pause cleaning.

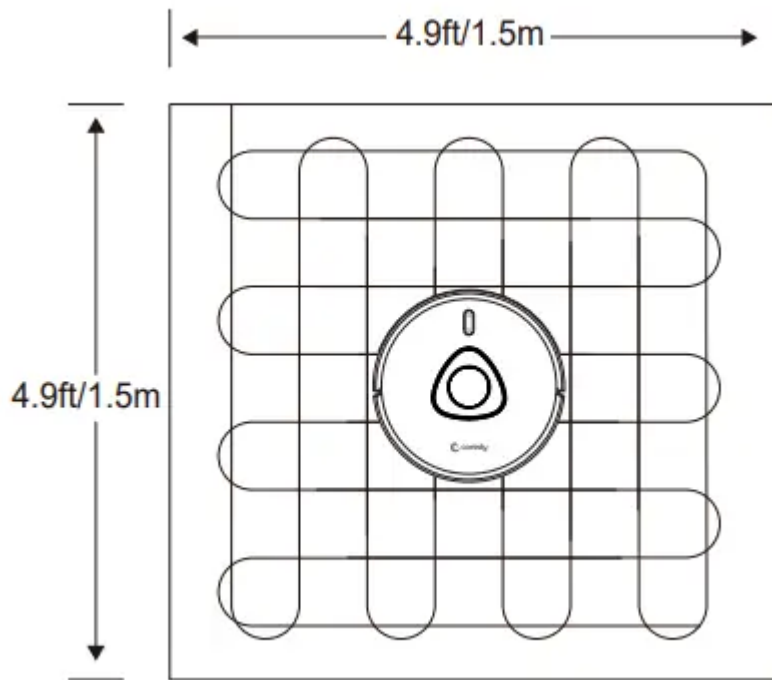
## 2. Zone cleaning (available via the App only)

In this mode, set up a cleaning zone in the Coredy Robot App. Coredy L900X Robot will clean this zone only and return to the Charging Dock after cleaning.

**Note:** Start Zone cleaning only after Coredy L900X Robot has created the map. It is recommended that Coredy L900X Robot moves from the Charging Dock to start Zone cleaning.

## 3. Spot Cleaning (available via the App only)

Coredy L900X Robot intensively cleans a specific area with a size of 4.9 ft x 4.9 ft / 1.5 m x 1.5 m. Useful if there is a concentrated area of dust or debris. When the cleaning of a certain zone is finished, it automatically returns to the Charging Dock.

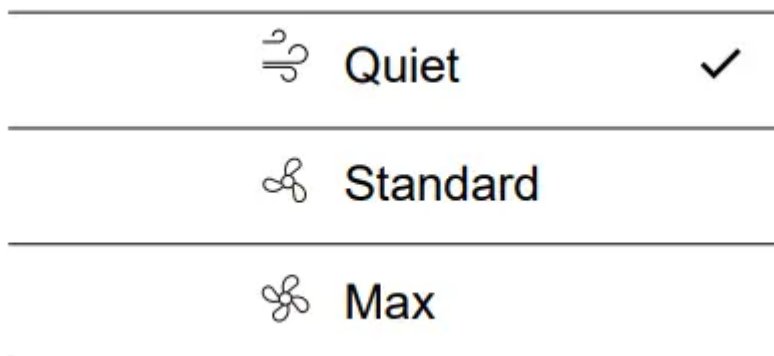


**4. Manual-controlled cleaning (available via the App only)**

You can direct Coredy L900X Robot to clean a particular area by using manual controls in the Coredy Robot App.

**5. Select a Suction Power Level**

In the Coredy Robot App, select a suction power level according to your needs:



**6. Edit No-Go Zone ( don't support physical barriers)**

**Virtual Boundary (Available on the App Only)**


In the Coredy App, you can set up a “No-Go Zone” as a virtual restricted area. This feature is designed for dividing the cleaning zones, not for isolating hazardous areas.

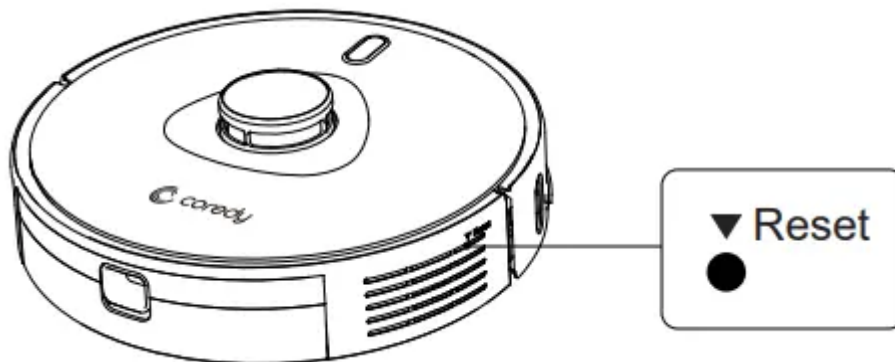
- No add-ons devices or boundary strips required.

- No-Go Zone: Coredy L900X Robot will not enter the zone to vacuum or mop

## **7. Reset the Robot**

You can reset the system if there is no response when pressing any button on Coredy L900X Robot.

1. Make sure Coredy L900X Robot is not on the Charging Dock.
2. Use a clip to press the Reset button.
3. Coredy L900X Robot will automatically turn off.
4. Dock Coredy L900X Robot onto the Charging Dock or press  to turn it on. The system is reset.

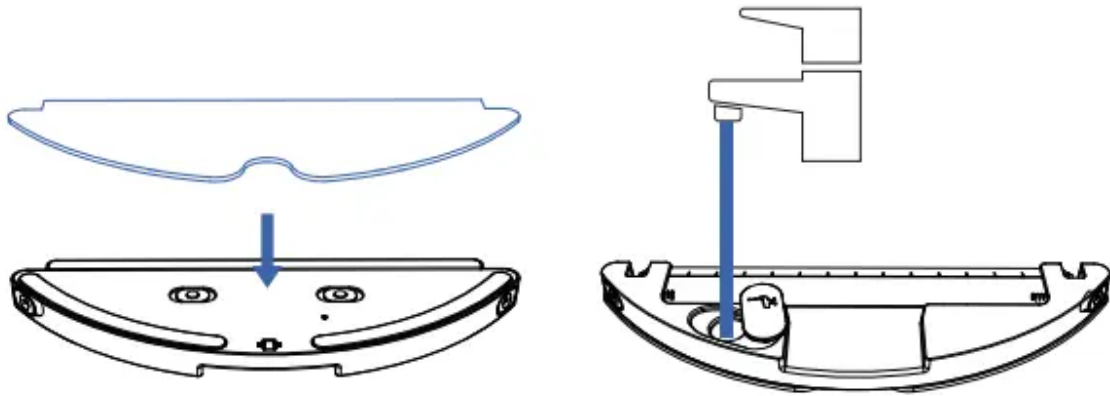


## **Use Mopping System 2.**

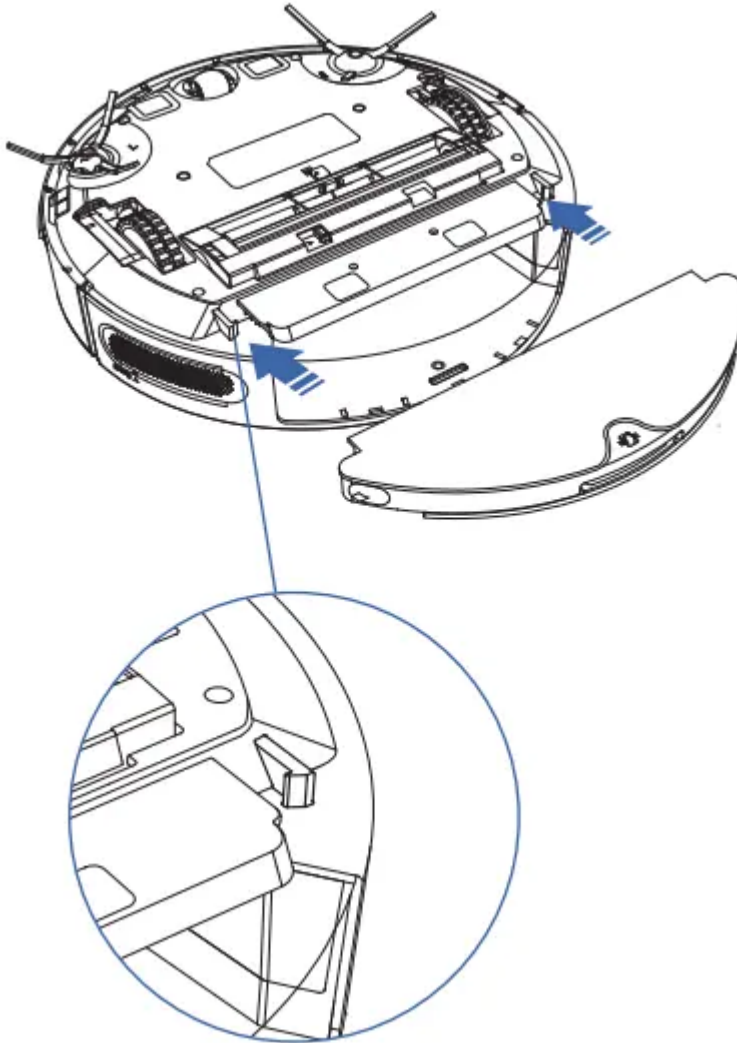
Coredy L900X supports wet/dry mopping function, the robot has a mopping system with an electronically-controlled water pump, can automatically control water flow to start/stop, offers 3 water flow levels (Low, Medium, High), ensuring intelligent mopping cleaning for your home.

- The mopping mode is only intended for a clean floor without stubborn stains or liquids. To avoid staining floors, do not use the mopping function when dust is mixed with liquids such as coffee or ink.
- Mopping System cleans best on smooth hard surfaces and may not perform so well on uneven tiles, heavily waxed floors or rough surfaces like slate or brick, which may snag the mopping cloth.
- The mopping mode is not recommended when no one is at home.
- Do not use the mopping mode on a carpeted floor. It is recommended to set a “No-Go” zone in the Coredy App to avoid cleaning the carpeted area.

1. Attach the mop cloth to the water tank and fill the water tank with water.



2. Align the Water Tank with the Water Tank Installation Buckles on the bottom of the robot and install the Water tank.



- When the water tank is inserted, Coredy L900X automatically switches to the mopping mode.

**3.** Select a cleaning mode to start mopping cleaning.

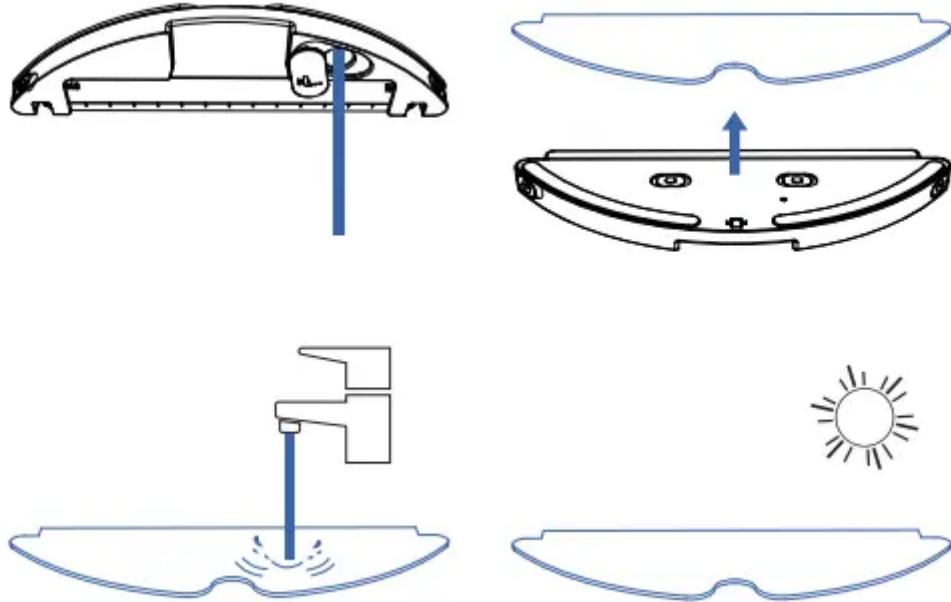
- Coredy L900X automatically sweeps and mops in the default suction level and mopping water level.
- You can select the mopping water level (3 levels) in the App according to your needs.

Suction LV

When L900X finishes working and returns to the charging dock, hold the water tank release button

- Although water release is stopped when mopping cleaning is paused, the mopping cloth may release excessive moisture caused by the cloth may damage the floor.

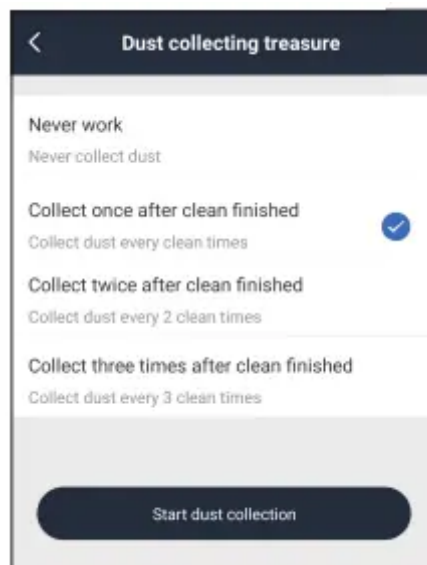
**5.** Empty any remaining water from the water tank. Clean the mopping cloth to avoid it to be



**Note:**It is recommended to clean the mopping cloth after mopping each time. Remove the mopping cloth

## Automatic Dirt Disposal

1. Automatic Dirt Disposal Base contains both dust collection and charging functions



## 2. Replacement Of the Dust Bag.

The fast flashing orange indicator on the Base indicates the full dust bag, or you may notice the robot has stopped moving. Replace the dust bag once the bag is full.



**Step 1:** Open the Cover.



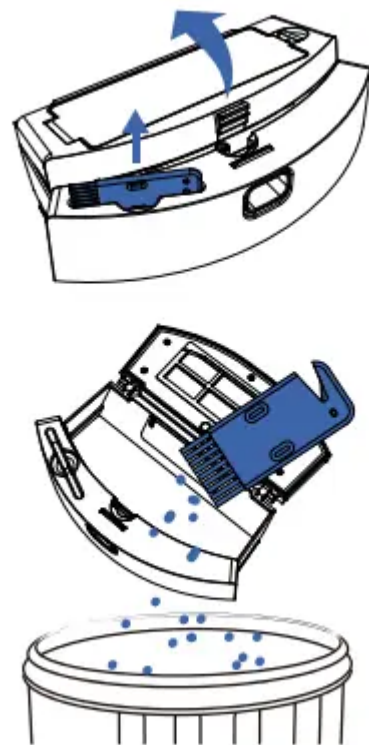
**Step 2:** Pull up the Dust Bag Handle to remove the Dust Bag.

## Regular Rolling

To keep robot running at peak performance, perform the following care procedures. If you notice the robot is not moving, check the rolling brush.

**Robot Part**

- Open dust bin door to empty it.



1. Remove filter by grasping the white tabs

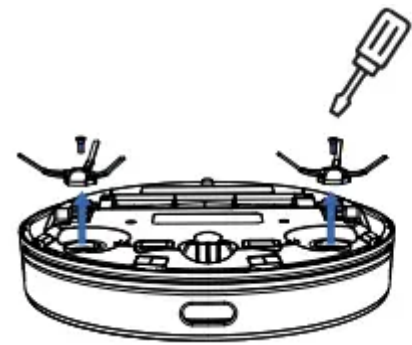


2. Shake off debris by tapping the filter a



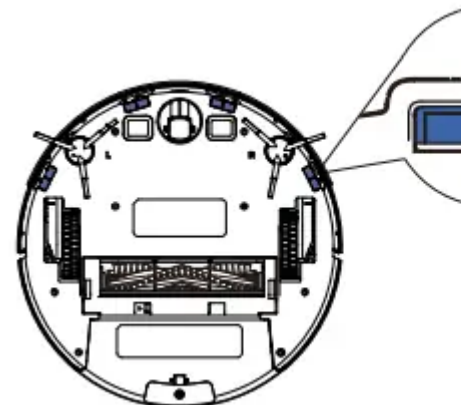
1. Unscrew the Side Brushes with a screwdriver

2. Screw the Side Brushes back into place

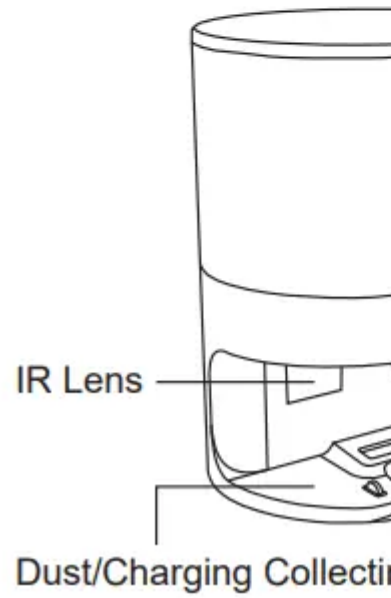
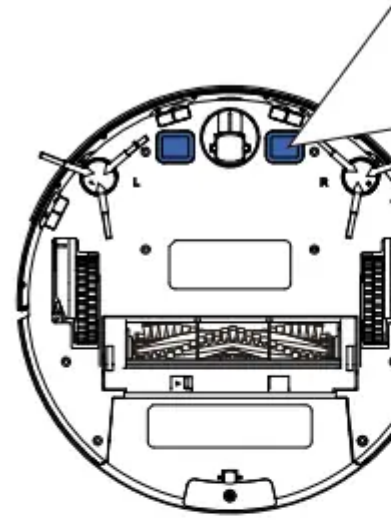


### Clean Robot

1. Wipe Robot's Cliff Sensors with a clean cloth



2. Wipe the charging contacts on Robot



### Clean

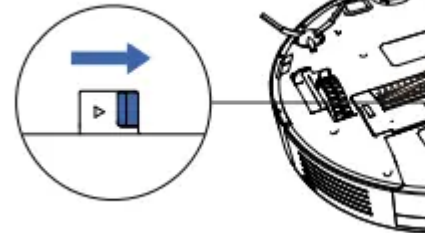
Use a clean, dry microfiber or soft cotton cloth to clean the side of the bottom surface.

Do not spray cleaning lotion directly into the sensor.

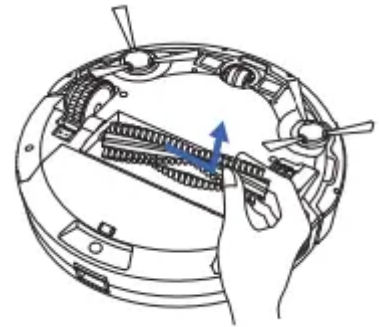




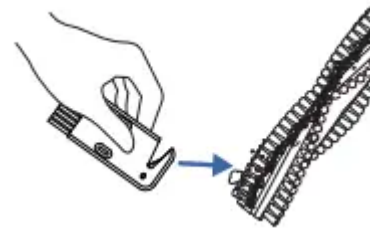
1. Pull on the tabs detachable to unlock



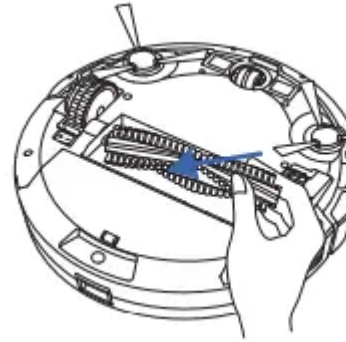
2. Lift the rolling brush to remove.



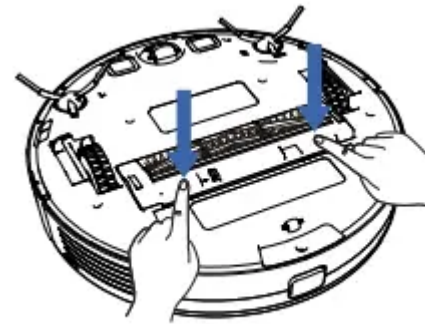
3. Clean the rolling brush with the provided



4. Reinstall the rolling brush by inserting



5. Press down to snap the brush guard in



## Bat

### Lithium Ion Battery

**Important:** Lithium ion batteries and products th

If you need to ship this product (with the battery following shipping instructions:

- Remove the lithium ion battery from th
- Place a piece of tape over the battery'
- Reinstall the battery (with the tape on
- Package the product in its original pac
- transportation
- Ship via ground transportation only (n

### Battery Charging

To extend battery life, always keep robot charged

### Battery Storage

If storing robot off of the Charging Dock, remove

### Battery Disposal

Contact your local waste management authority

**Battery Replacement**

You can visit Coredy's website <http://shop.coredy.com>

**Problems**





Error 11: Device tilted. Please put the device on a flat surface to start.

Error 12: Please insert dust collector and filter.

Error 13: Restricted area detected. Move device to a different area.

Error 14: Laser cover may be stuck.

Error 15: Laser sensor may be stuck.

Error 16: Laser sensor may be blocked.

Error 17: Charging Dock blocked by surrounding obstacles

Error S1: Battery Error. Refer to Owner's Manual or App for help.

Error S2: Wheel Module Error. Refer to Owner's Manual or App for help.

Error S3: Side Brush Error. Refer to Owner's Manual or App for help.

Error S4: Suction Fan Error. Refer to Owner's Manual or App for help.

Error S5: Rolling Brush Error.  
Refer to Owner's Manual or App for help.

Error S6: Laser Sensor Error.  
Refer to Owner's Manual or App for help.

Before Wi-Fi setup, make sure Coredy L900X R

- **Coredy L900X Robot:**

- Coredy L900X Robot is fully
- Wi-Fi status light slowly flas

- **Wi-Fi Network:**

- Use the correct password fo
- Do not use a VPN (Virtual F
- Your Wi-Fi router supports 8
- You are using a 2.4GHz rou  
Coredy L900X Robot does  
If Coredy L900X Robot can  
switch to a 2.4GHz network  
When connecting to a hidde

sensitive), and connecting t  
When using a network exte  
as your primary network.  
The firewall and port setting  
servers.

- **Network Security Requirement**

- WPA and WPA2 using TKIP

- **Wi-Fi Channels**

- The FCC requires that all w  
channels.
- Some countries outside No  
local regulatory agency to d
- A future software release w  
then, use channels 1-11.

If you cannot control Coredy L900X Robot with y

### **Warning**

This content is compiled from multiple sources and is provided for reference purposes only. It may not be complete or fully applicable to all situations. If you are unable to resolve your issue, please contact the product manufacturer or an authorized service provider for official support.