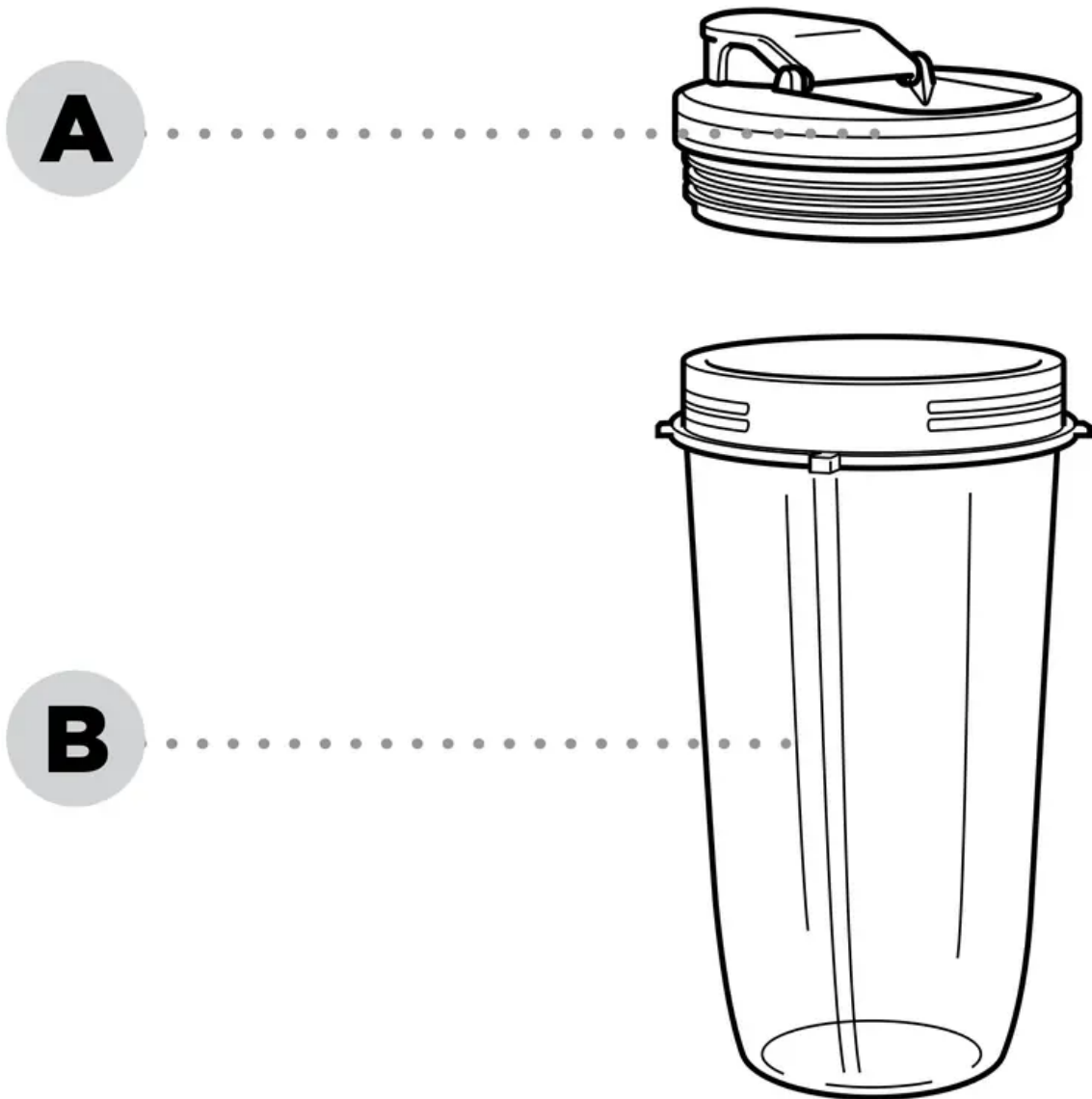


GETTING TO KNOW YOUR NINJA®

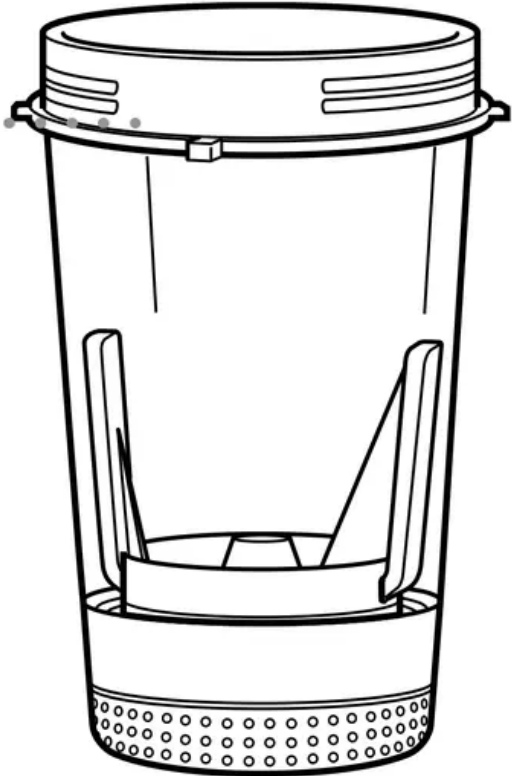
PARTS

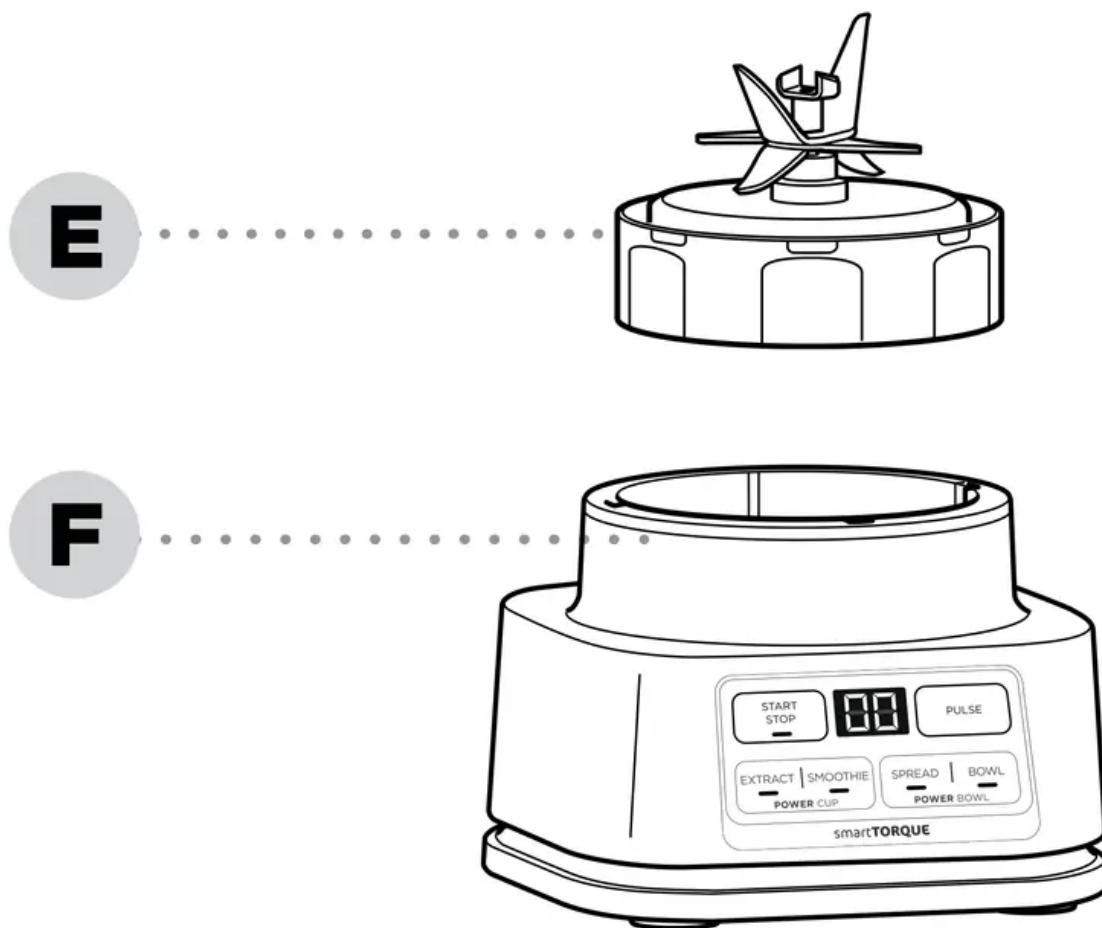


C



D





- A. Spout Lid
- B. 24 oz. Power Nutri™ Cup
- C. Storage Lid
- D. 14 oz. Power Nutri Bowl
- E. Hybrid Edge™ Blades Assembly
- F. Motor Base (attached power cord not shown)

NOTE: The Hybrid Edge Blades Assembly is not compatible with other Ninja products.

NOTE: Number of cups, bowls and lids vary by model.

BEFORE FIRST USE

IMPORTANT: Review all warnings on pages 4–5 before proceeding.

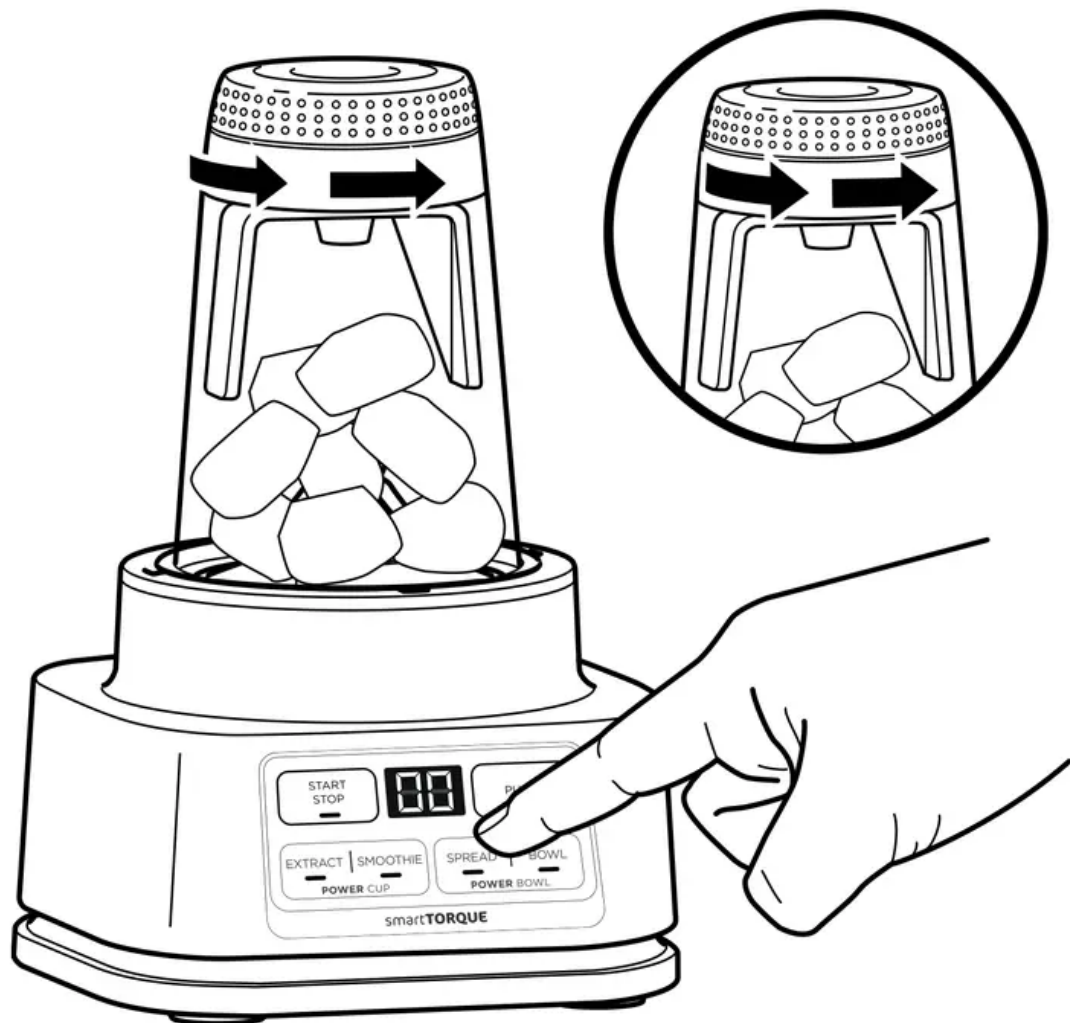
NOTE: Handle the Hybrid Edge Blades Assembly by grasping around the perimeter of the blade assembly base.

NOTE: All attachments are BPA free and dishwasher safe. It is recommended that the containers, lids, and blade assembly be placed on the top rack of the dishwasher. Ensure blade assembly and

lid are removed from the container before placing in the dishwasher. Exercise care when handling blade assembly.

1. Remove all packaging materials from the unit. Exercise care when unpacking blade assembly, as the blades are sharp.
2. Wash containers, lids, and blade assembly in warm, soapy water using a dishwashing utensil with a handle to avoid direct contact with the blades. Exercise care when handling blade assembly, as the blades are sharp.
3. Thoroughly rinse and air-dry all parts.

GETTING TO KNOW THE POWER NUTRI BOWL



Powering through tough and frozen ingredients used to require a lot of stopping, scraping, and recipe tinkering. But now, it's easier than ever to create thick and spoonable smoothie bowls, nut butters, and more. All you have to do is twist the Power Paddle while blending to push ingredients down toward the blade. It's like having a built-in tamper.

USING THE CONTROL PANEL

AUTO-IQ® PROGRAMS

Intelligent preset programs combine unique blending and pausing patterns that do the work for you. Once a preset program is selected, it will start immediately and automatically stop when blending is complete. To stop blending before the end of the program, press the currently active button again.



AUTO-IQ PROGRAMS:

EXTRACT

Ideal for tough, leafy, or fibrous whole fruits and vegetables, including their skins, seeds, and stems.

SMOOTHIE

Combine your favorite fresh or frozen ingredients, liquids, and powders to create smoothies and proteins shakes.

SPREAD

Create anything from spreadable nut butters to zesty dressing to the perfect hummus.

BOWL

Make thick, spoonable smoothie bowls, creamy frozen yogurt, and refreshing sorbets.

NOTE: For the best results when using the Power Nutri™ Bowl, use the Spoonable Auto-iQ Programs, BOWL and SPREAD

MANUAL PROGRAMS:

NOTE: Manual programs cannot be used in conjunction with any Auto-iQ programs.

START/STOP

Press once to start continuous running up to 60 seconds; press again to stop. Can also be pressed to stop a running Auto-iQ program.

PULSE

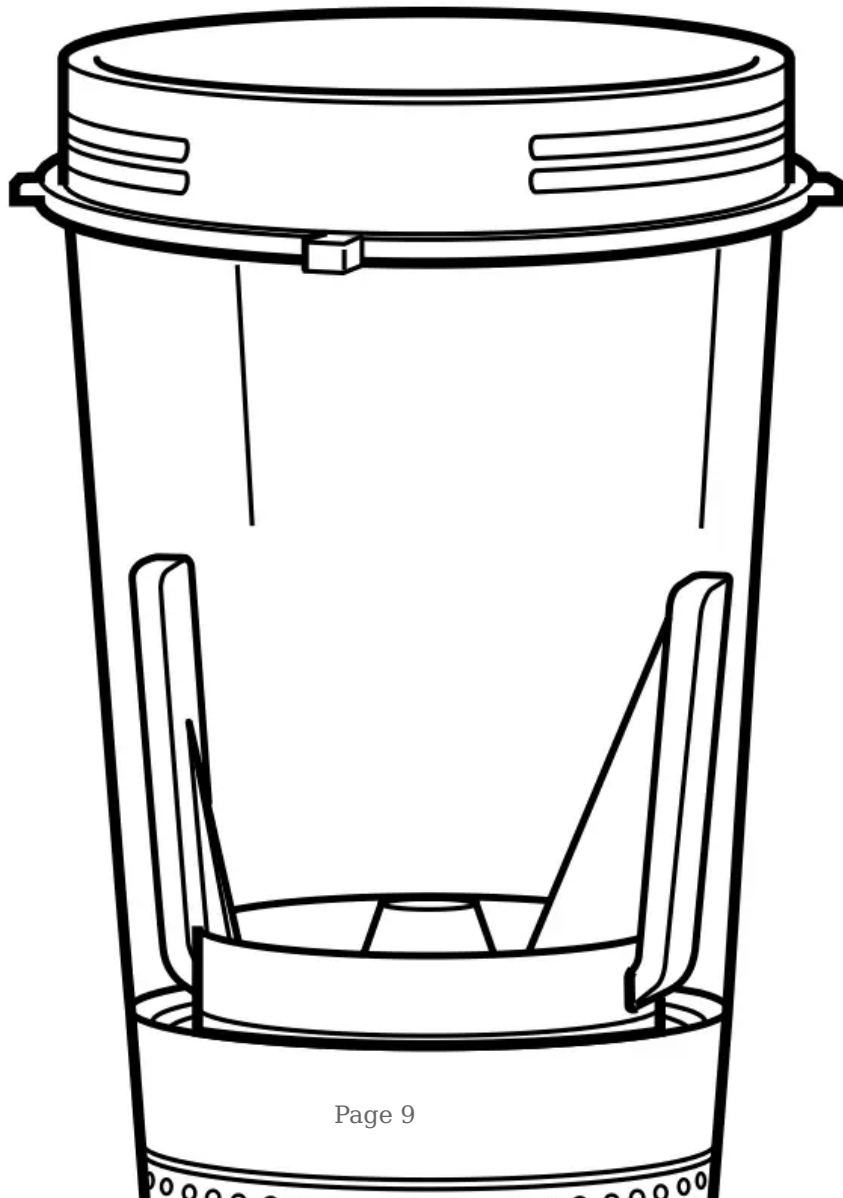
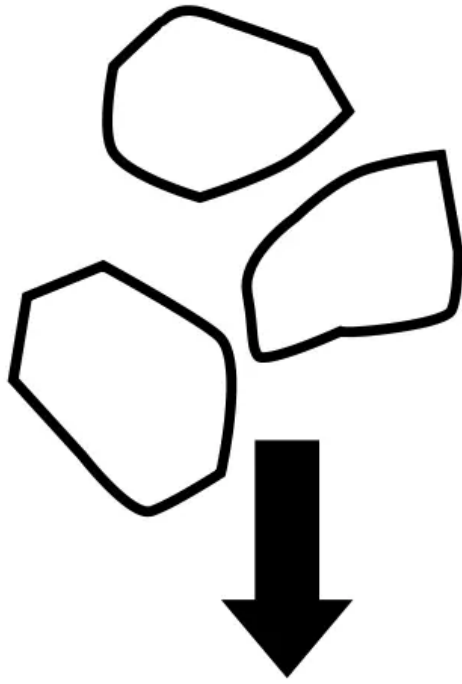
Offers greater control of pulsing and blending. Operates only when PULSE is pressed. Use short presses for short pulses and long presses for long pulses



USING THE POWER NUTRI™ BOWL

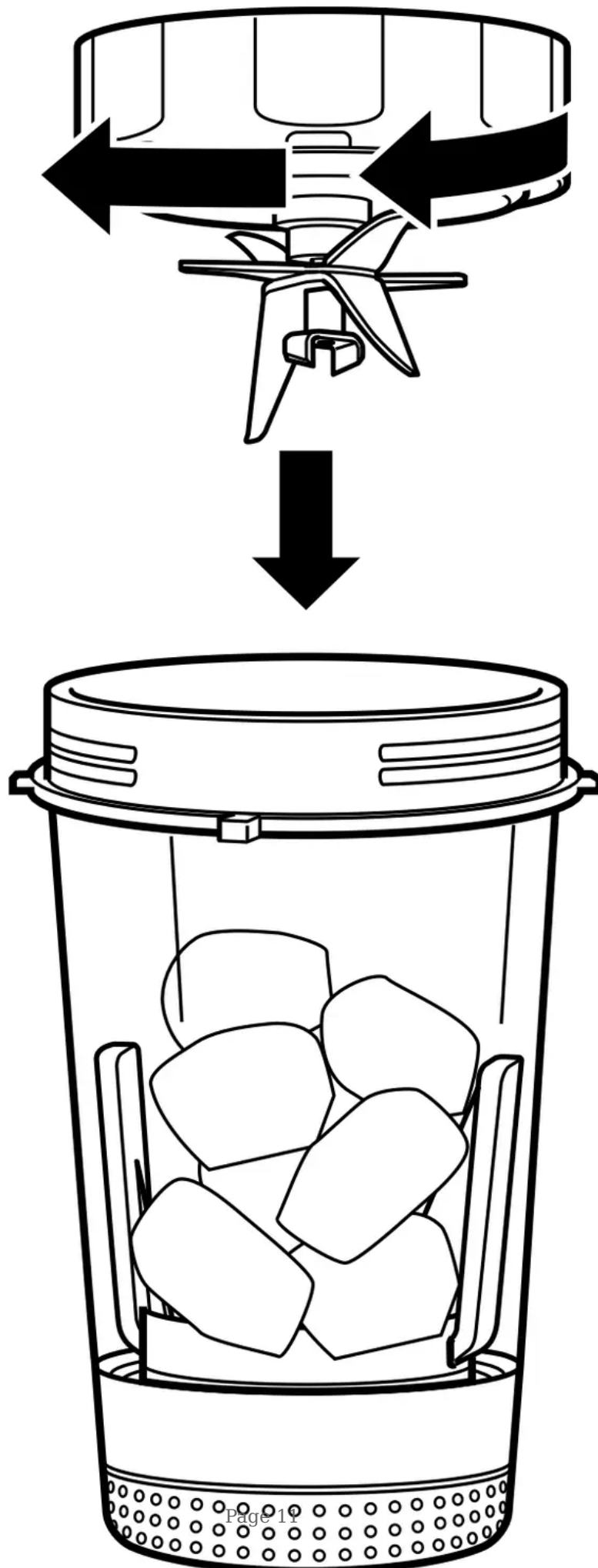
IMPORTANT: Review all warnings on pages 4–5 before proceeding.

1. Plug in motor base and place on a clean, dry, level surface such as a countertop or table.

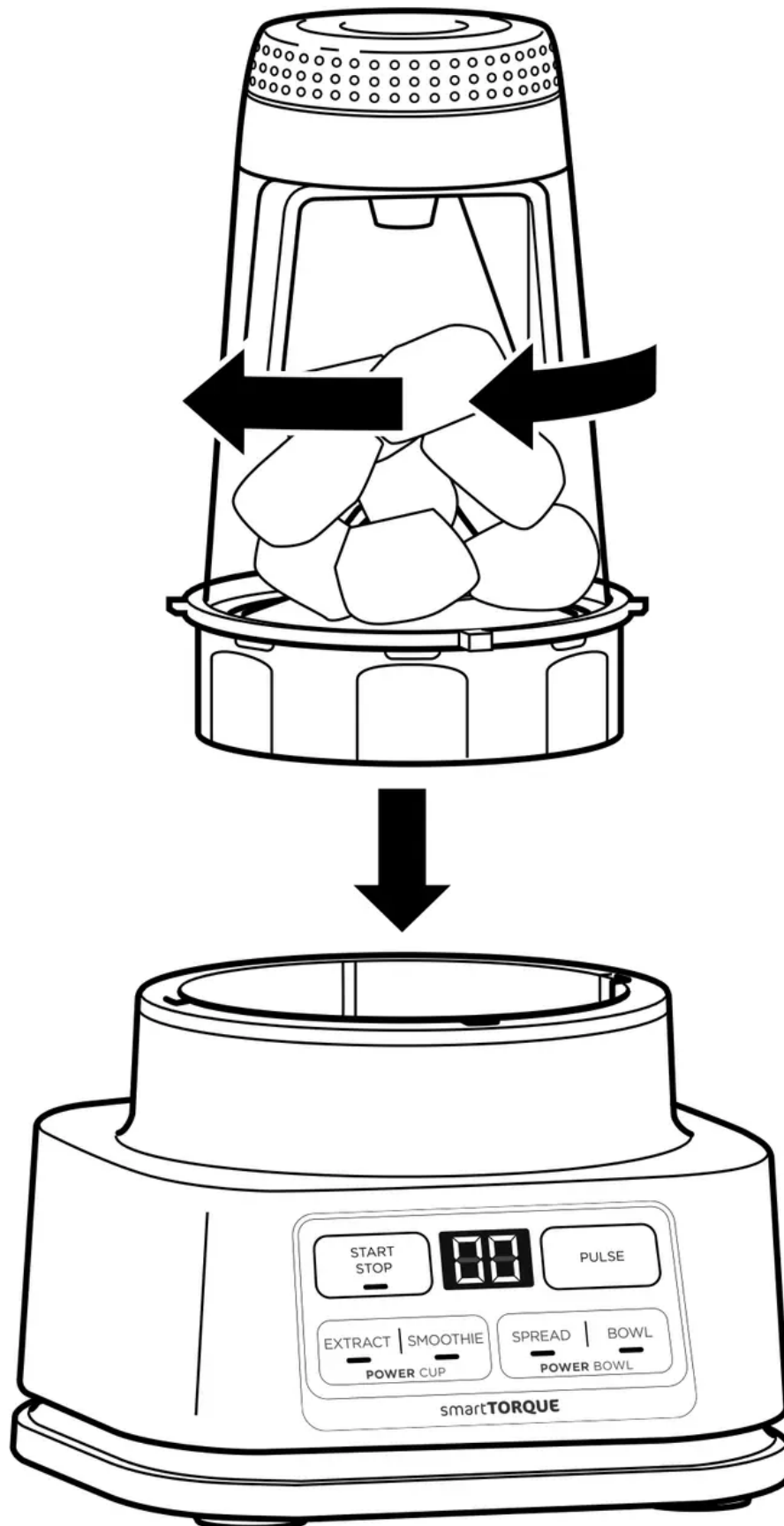


2. Add liquid then ingredients to the Power Nutri Bowl. DO NOT add liquid past the LIQUID FILL line or ingredients past the MAX FILL line.

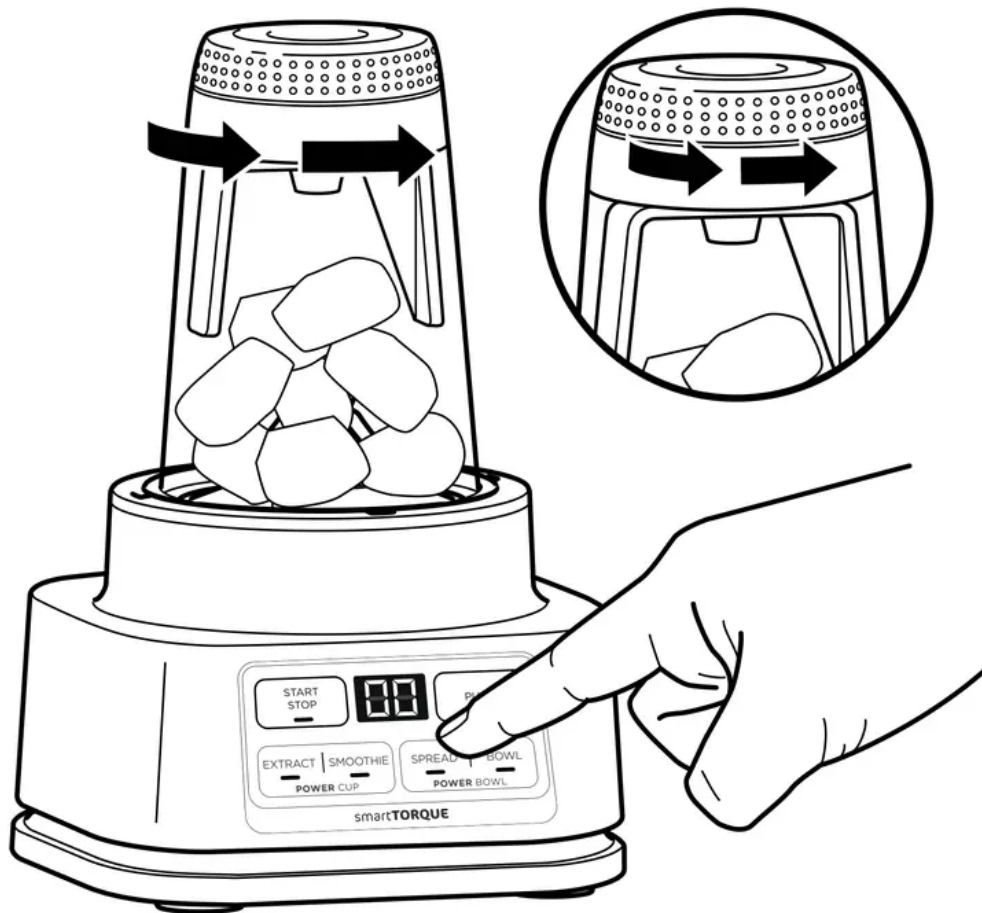




3. Place the Hybrid Edge™ Blades Assembly on the top of the bowl and turn clockwise to seal.



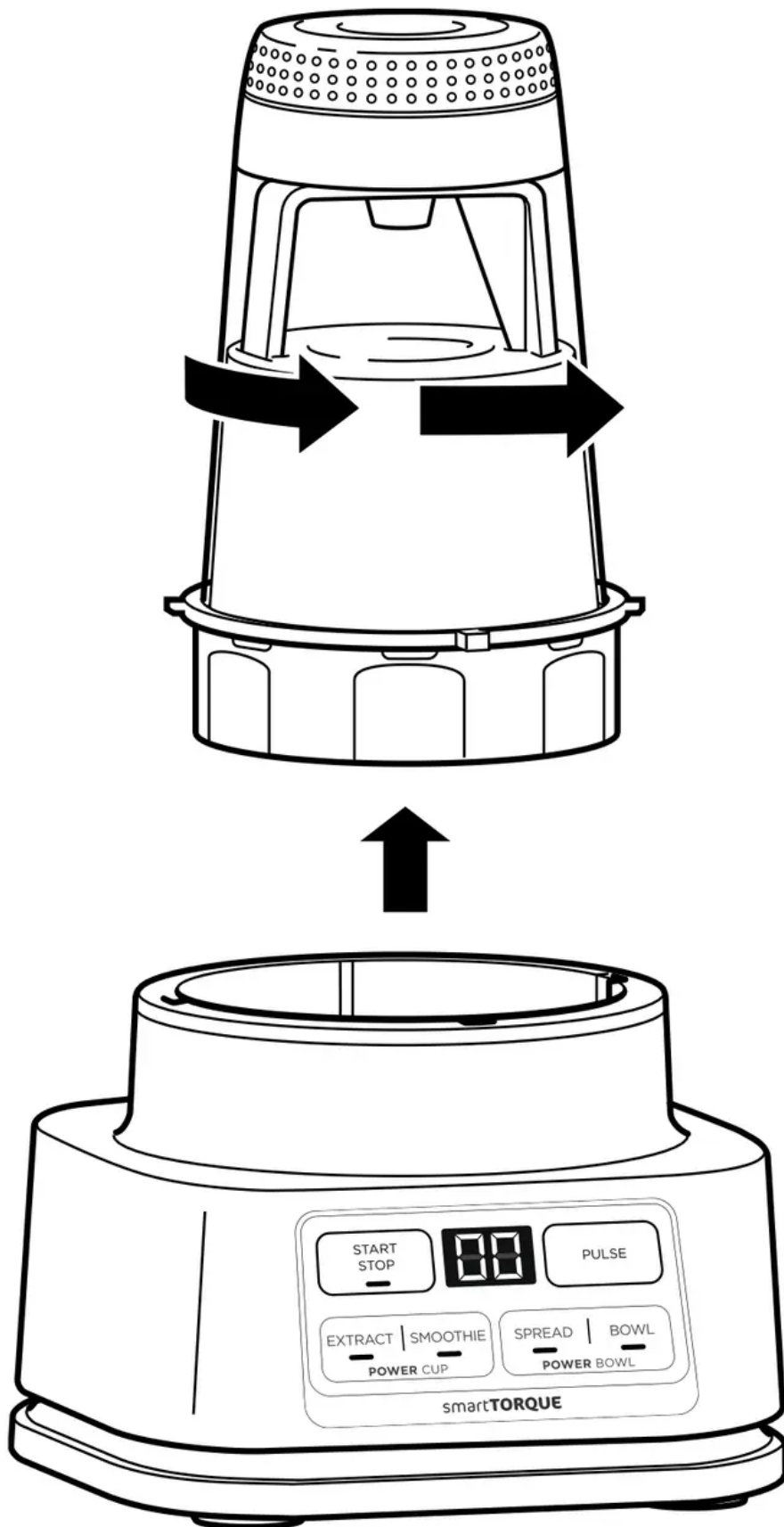
4. Turn the bowl upside down and install on motor base by aligning the tabs on the bowl with the slots on the base. Then, rotate bowl clockwise until it clicks. Once locked in place, the programs will illuminate and the unit will be ready for use.



NOTE: While processing, twist the Power Paddle counterclockwise continuously.

5. If using an Auto-iQ® program, select the program that best suits your desired output. During the blending process, twist the Power Paddle counterclockwise continuously. The preset feature will automatically stop at the end of the program. To stop the unit at any time, press the currently active program again. If using START/STOP, once the ingredients have reached your desired consistency, press START/STOP again, and wait for the unit to come to a complete stop. During the

blending process, make sure to twist the Power Paddle counterclockwise continuously.

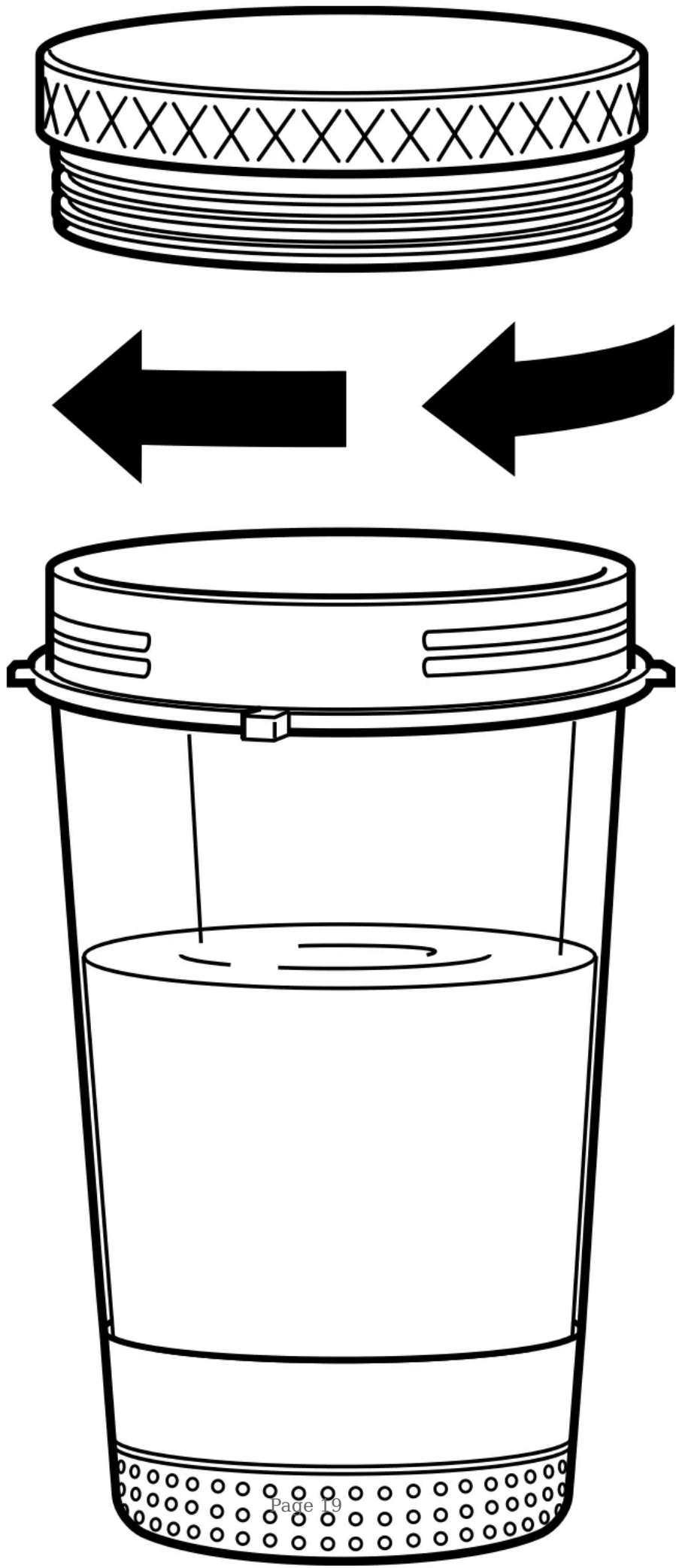


6. Remove the bowl from the motor base by turning it counterclockwise and then lifting up.

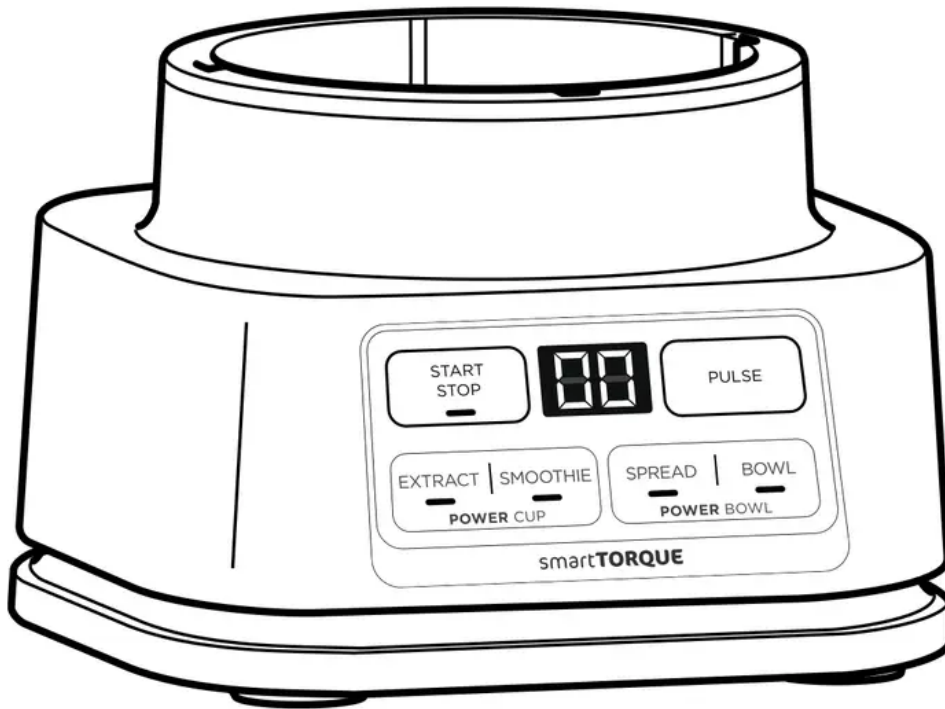


7. Remove the blade assembly by twisting counterclockwise. DO NOT store blended contents with the blade assembly attached. Only use the Spout Lid or Storage Lid to

cover. Exercise care when handling the blade assembly, as the blades are sharp.



8. To enjoy on the go, place the Spout Lid or Storage Lid onto the bowl and twist lid clockwise until firmly sealed.

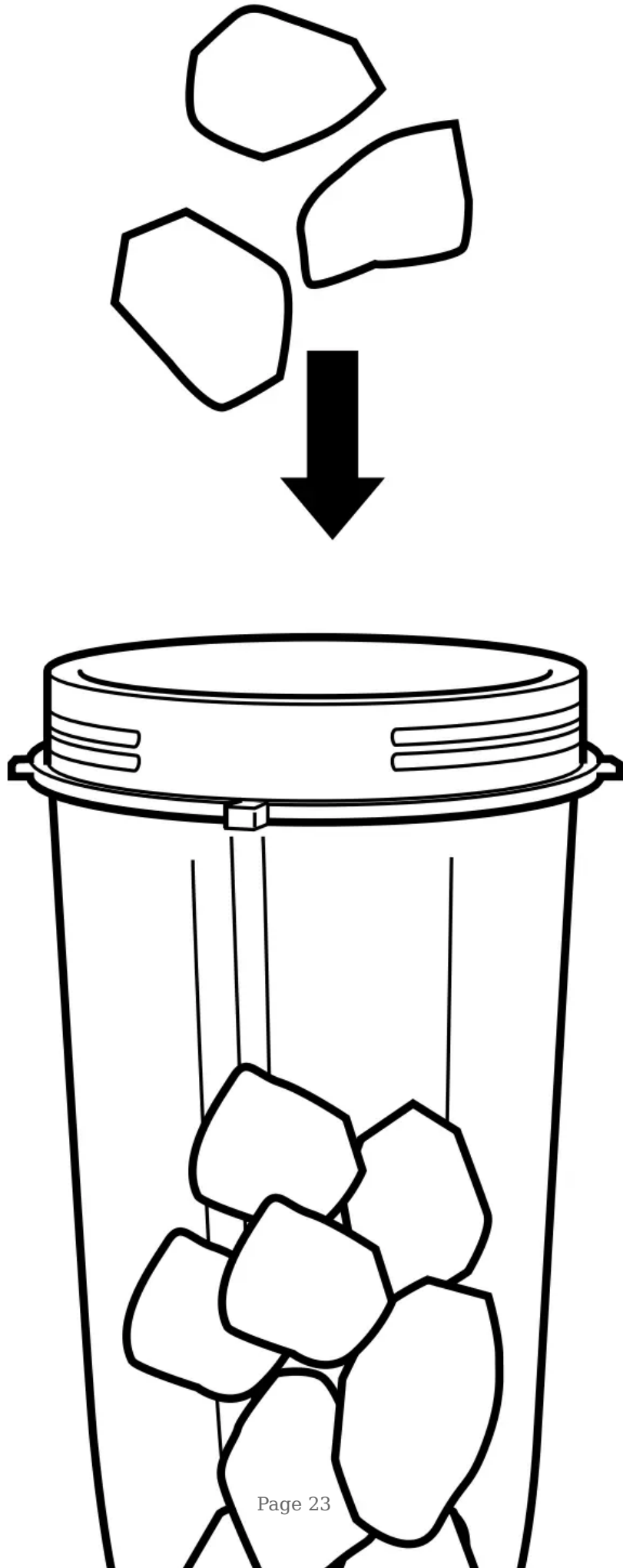


9. Unplug the unit when finished. Refer to the Care & Maintenance section for cleaning and storage instructions.

USING THE POWER NUTRI™ CUP

IMPORTANT: Review all warnings on pages 4–5 before proceeding.

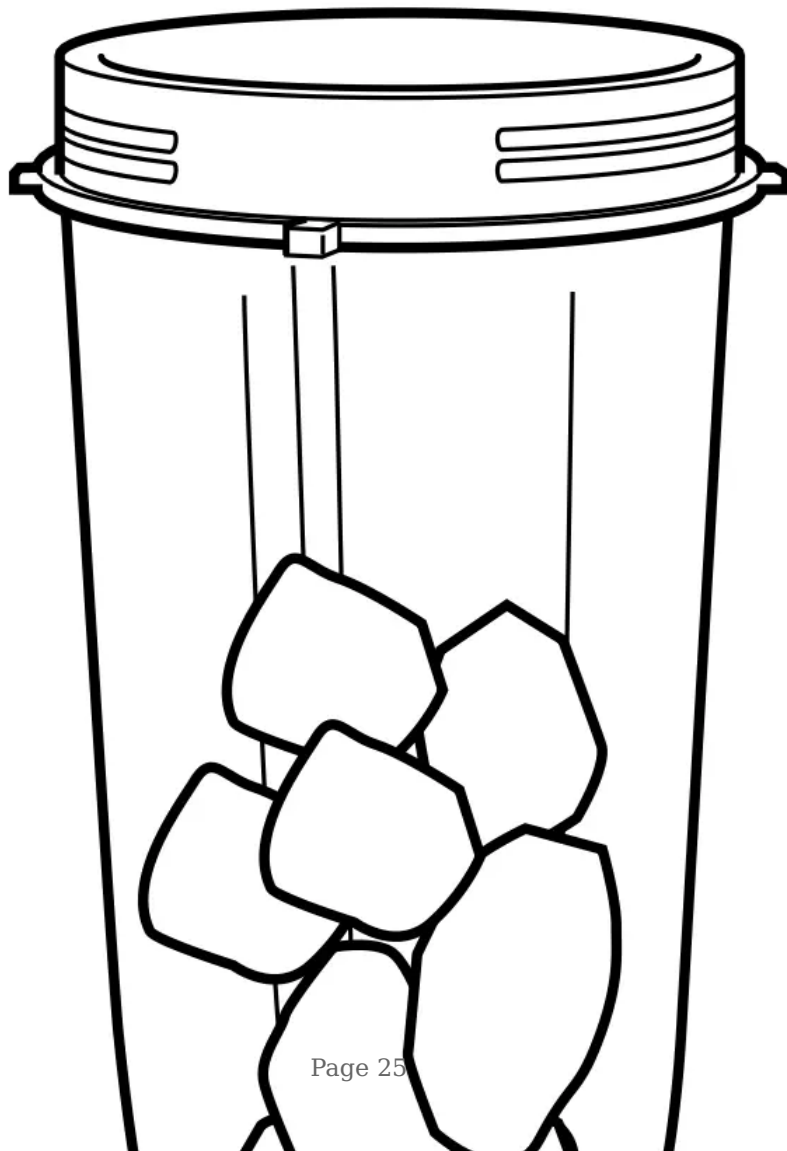
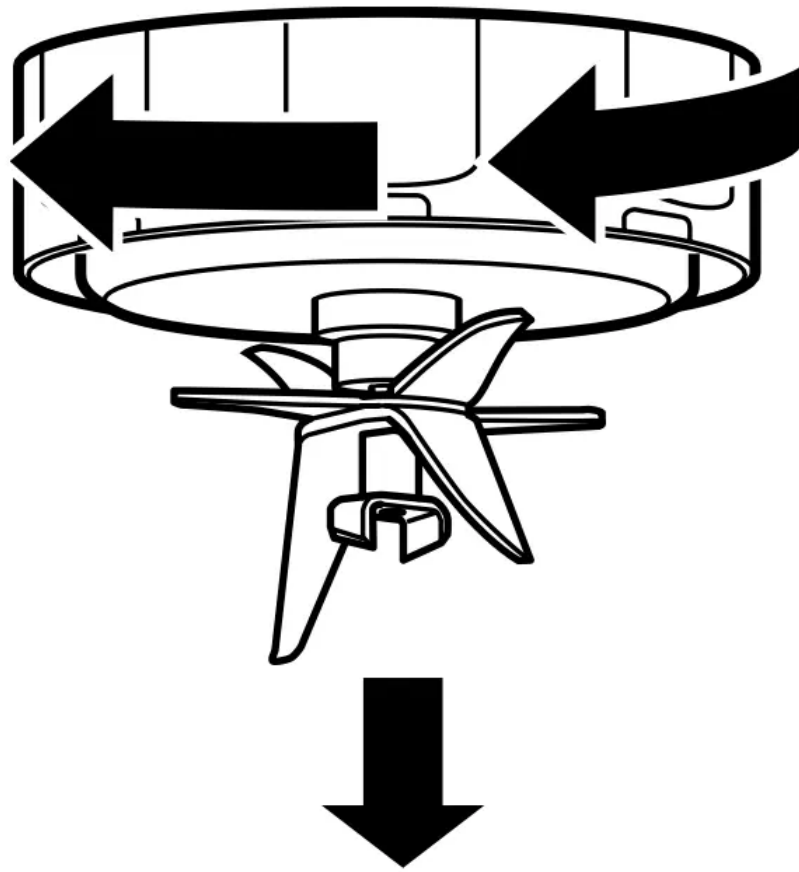
1. Plug in motor base and place on a clean, dry, level surface such as a countertop or table.



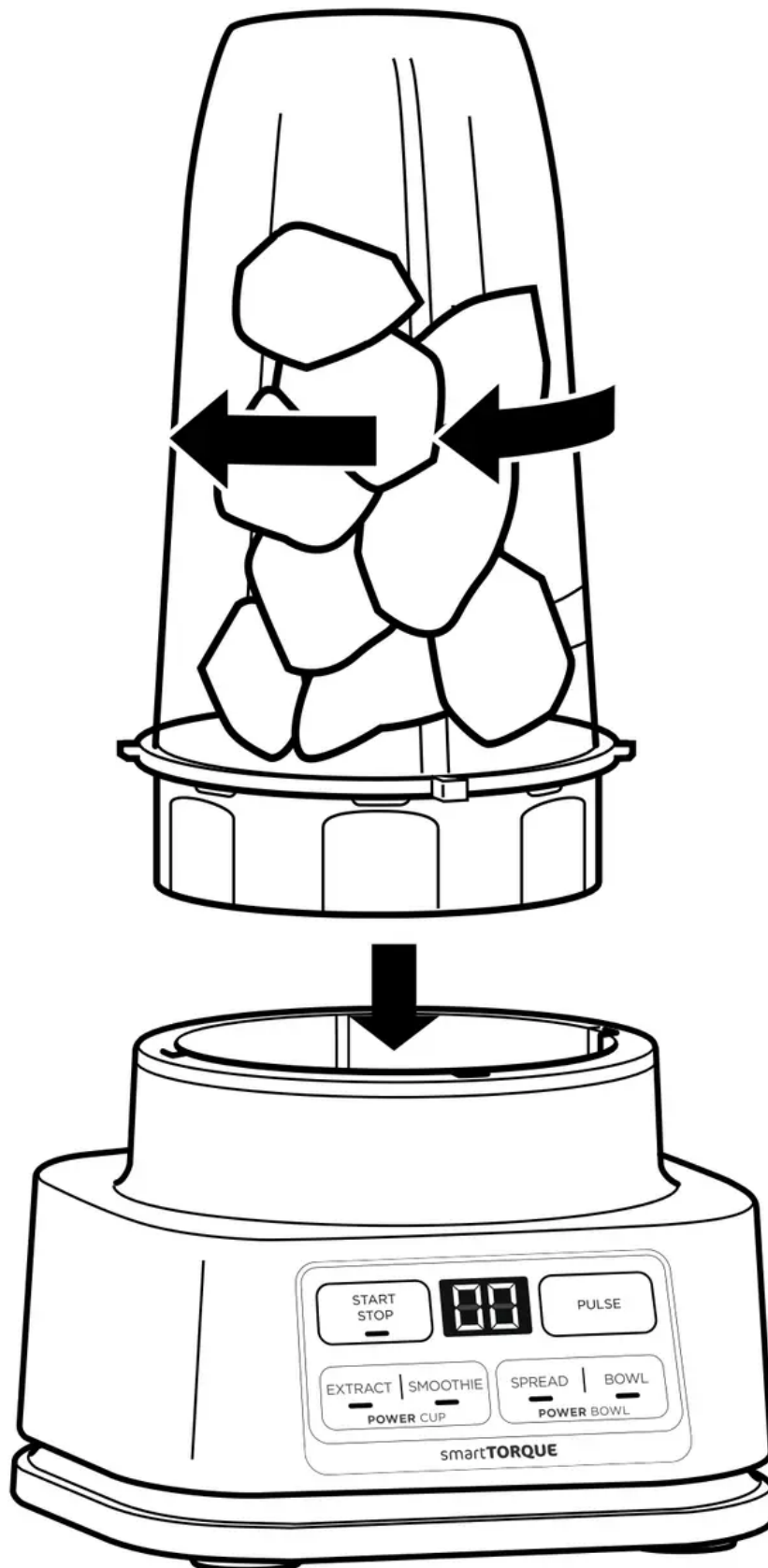
2. Add ingredients to the Power Nutri Cup.

DO NOT add ingredients past the MAX LIQUID line.

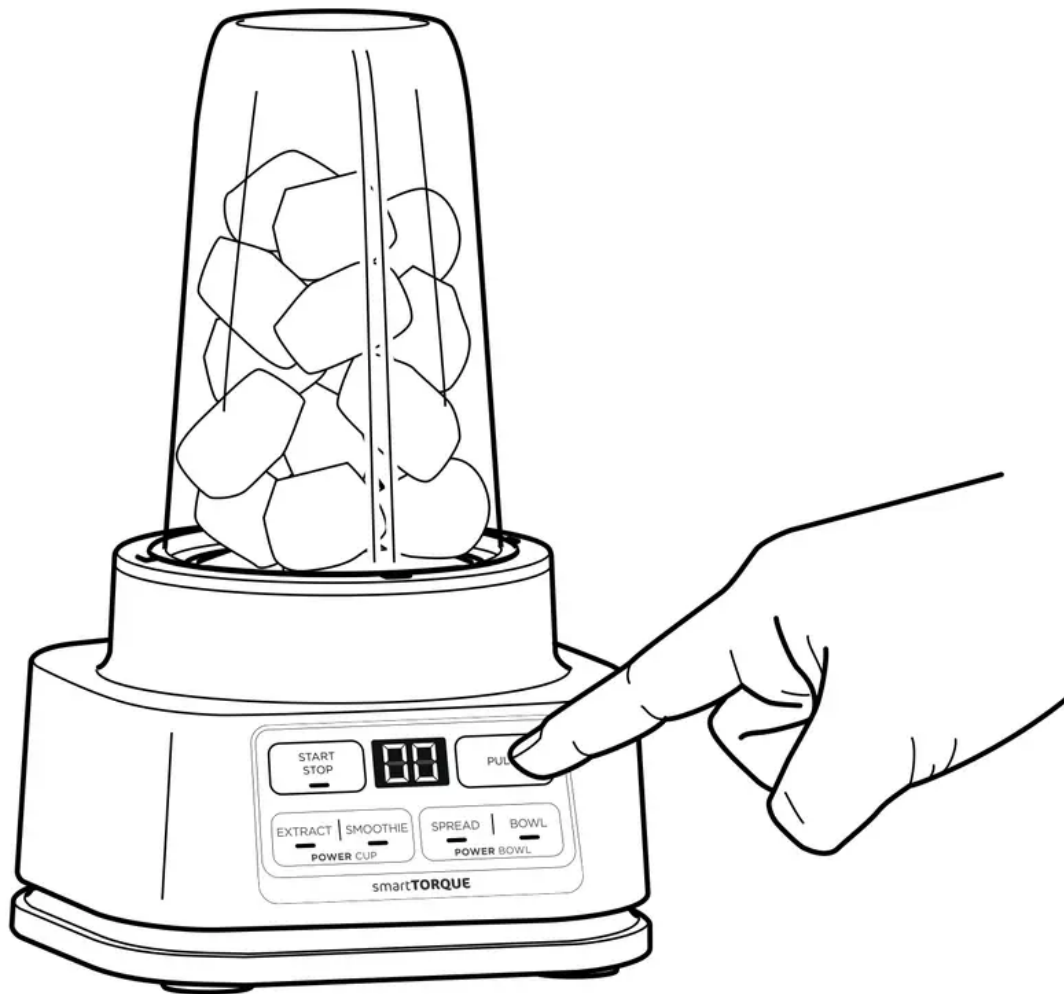




3. Place the Hybrid Edge™ Blades Assembly on the top of the cup and turn clockwise to seal.



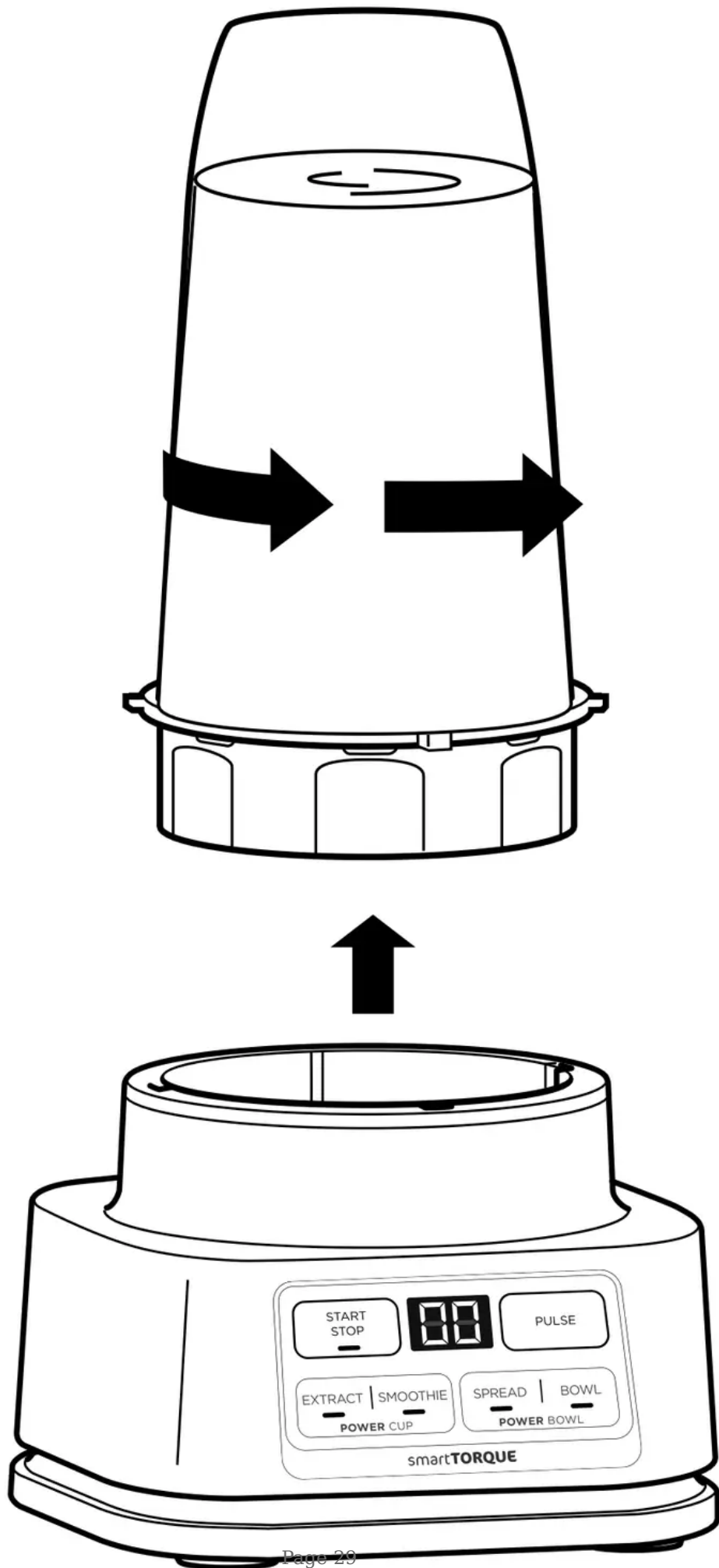
4. Turn the cup upside down and install on the motor base by aligning the tabs on the cup with the slots on the base. Then, rotate cup clockwise until it clicks. Once locked in place, the programs will illuminate and the unit will be ready for use.



5. If using an Auto-iQ® program, select the program that best suits your desired output. The preset feature will automatically stop at the end of the program. To stop the unit at any time, press the currently active program again.
If using START/STOP, once the ingredients have reached your desired consistency,

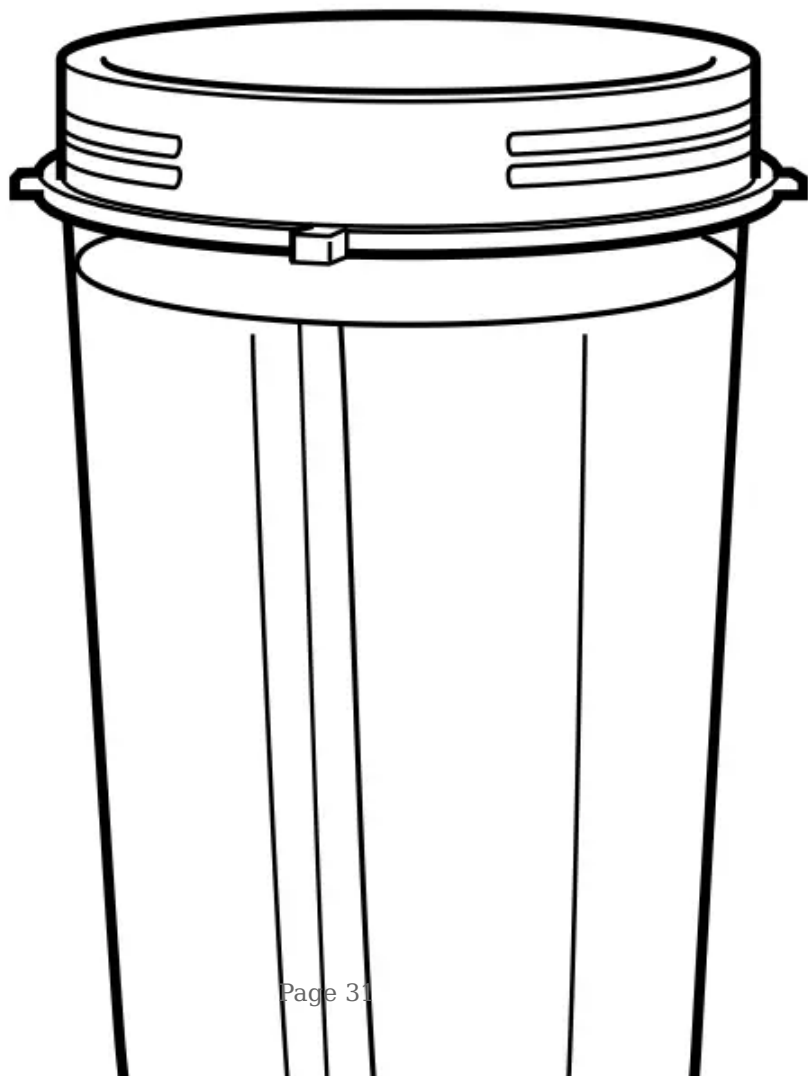
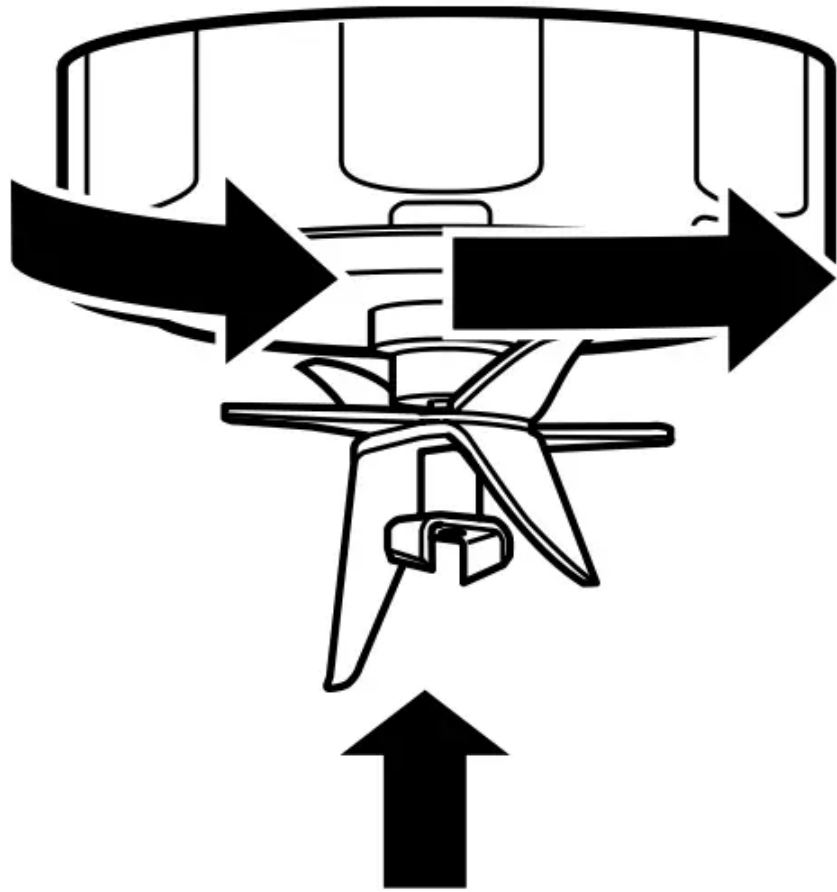
press START/STOP again, and wait for the unit to come to a complete stop.





6. Remove the cup from the motor base by turning it counterclockwise and then lifting up.



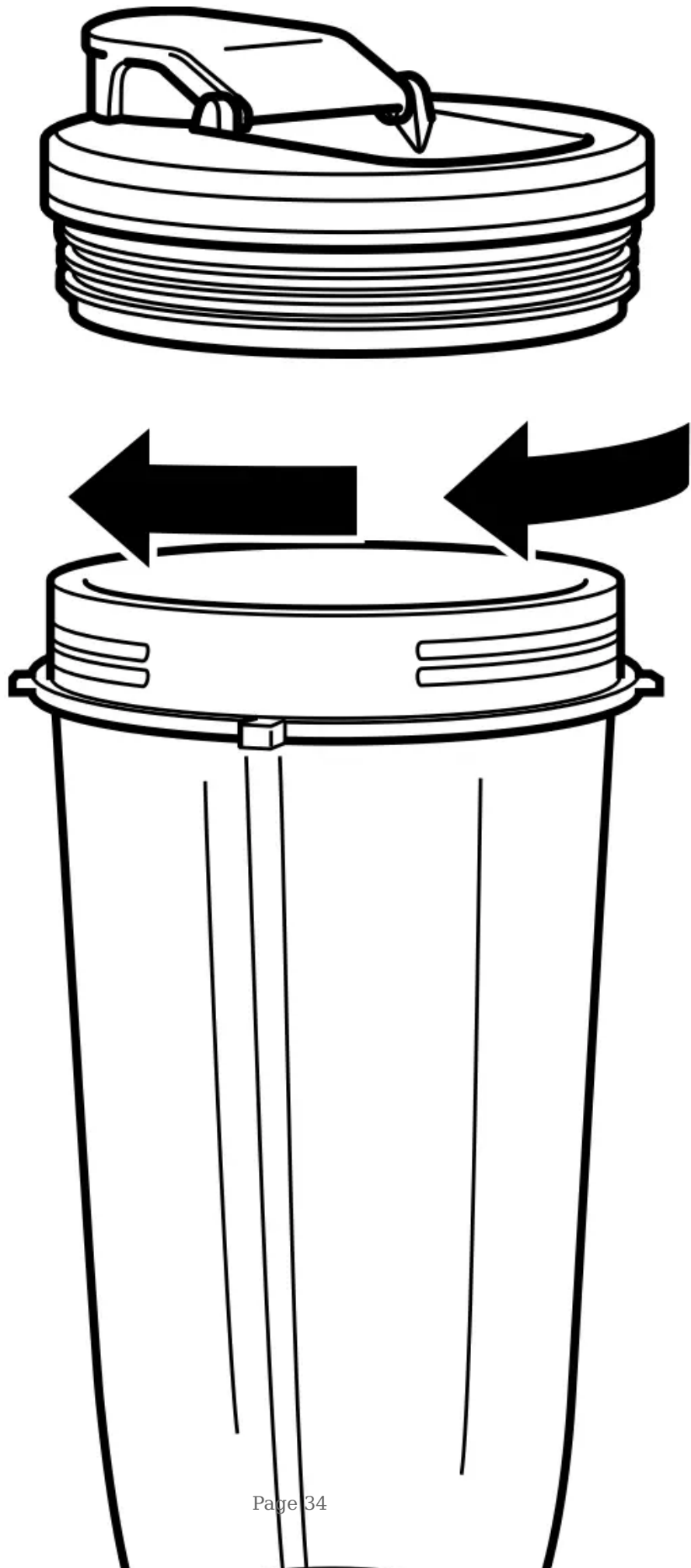


7. Remove the blade assembly by twisting counterclockwise. DO NOT store blended contents with the blade assembly attached. Only use the Spout Lid or Storage Lid to

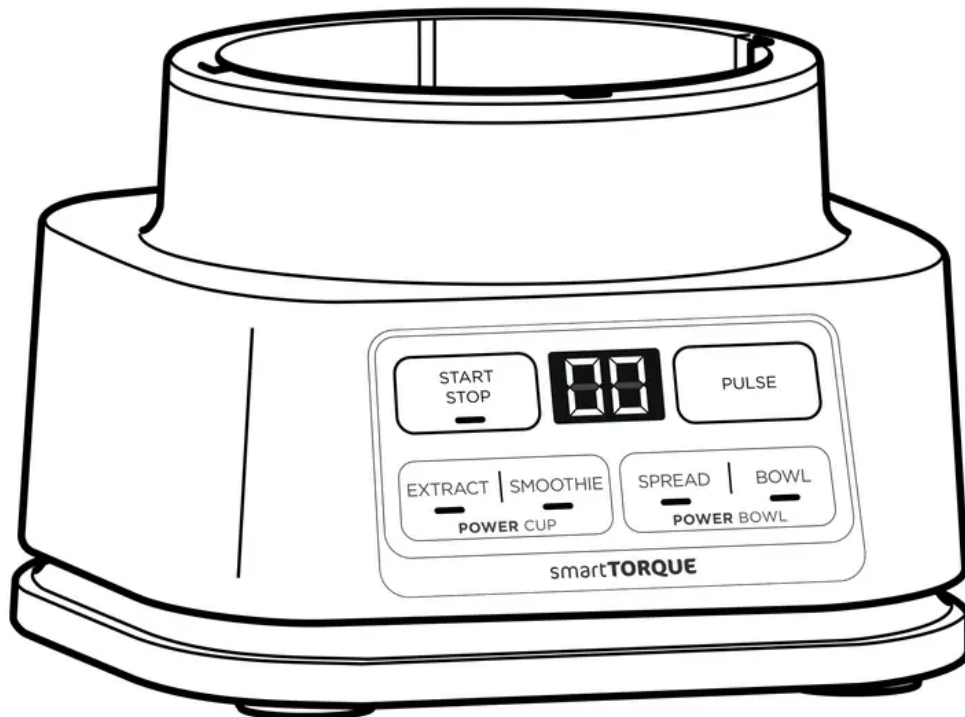


cover. Exercise care when handling the blade assembly, as the blades are sharp.





8. To enjoy on the go, place the Spout Lid or Storage Lid onto the cup and twist lid clockwise until firmly sealed.



9. Unplug the unit when finished. Refer to the Care & Maintenance section for cleaning and storage instructions.

CARE & MAINTENANCE

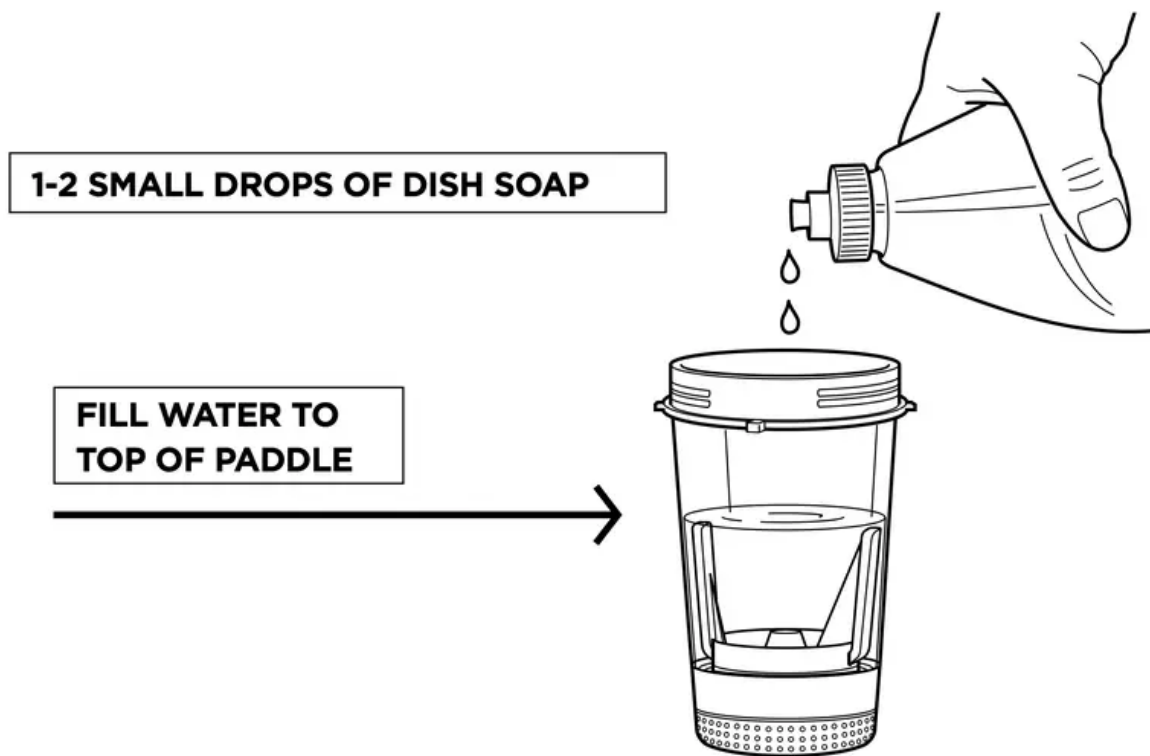
CLEANING

Hand-Washing

Wash containers, lids, and blade assembly in warm, soapy water. Use a dishwashing utensil with handle to avoid direct contact with the blades. Exercise care when handling the blade assembly as the blades are sharp. Thoroughly rinse and air-dry all parts.

NOTE: The paddle in the Power Nutri™ Bowl is not removable.

STUCK-ON INGREDIENTS IN THE POWER NUTRI BOWL



For stuck-on ingredients, such as nut butter, rinse the bowl and blade assembly under warm water. Next, fill the bowl with warm water up to the top of the paddle and add 1–2 small drops of dish soap.

Screw on the blade assembly and press BOWL. Twist the Power Paddle counterclockwise continuously while cleaning.

Then, empty contents and rinse under warm water and wipe with a dishwashing utensil, if needed.

Dishwasher

Containers, lids, and blade assembly are top-rack dishwasher safe ONLY. Ensure the blade assembly and lid are removed from the container before placing in the dishwasher.

Motor Base

Unplug the unit before cleaning. Wipe motor base with a clean, damp cloth.

STORING

For cord storage, wrap cord with hook-and-loop fastener near the back of the motor base. DO NOT wrap the cord around the bottom of the base for storage.

DO NOT store blended or unblended ingredients in the cup or bowl with the blade assembly attached. Use only the spout lid or storage lid when storing blended or unblended ingredients in the containers.

DO NOT stack items on top of the containers. Store any remaining attachments alongside the unit or in a cabinet where they will not be damaged or create a hazard.

RESETTING THE MOTOR THERMOSTAT

This unit features a unique safety system that prevents damage to the motor and drive system should you inadvertently overload it. If the unit is overloaded, the motor will be temporarily disabled. Should this occur, follow the reset procedure below.

1. Unplug the unit from the electrical outlet.
2. Allow the unit to cool for approximately 15 minutes.
3. Remove the blade assembly from the container. Empty the container and ensure no ingredients are jamming the blade assembly.

IMPORTANT: Ensure that maximum capacities are not exceeded. This is the most typical cause of appliance overload.

TROUBLESHOOTING GUIDE

WARNING: To reduce the risk of shock and unintended operation, unplug unit before troubleshooting

Control panel does not illuminate

- Make sure unit is plugged in. If the unit is powered on and no container is installed, the unit will display '- -'. The available programs will illuminate after placing a container on base and rotating it clockwise until it clicks into place.

Control panel doesn't turn off

- Remove container from base by rotating it counterclockwise and lifting it up. The display with flash '- -'. Unplug the power cord from the outlet. If the unit remains plugged in, the display will time out after 3 minutes of inactivity. Press any button to wake the unit.

Doesn't mix well; ingredients get stuck

- Using the Auto-iQ® programs is the easiest way to achieve great results. The pulses and pauses allow the ingredients to settle toward the blade assembly. If ingredients are routinely getting stuck, adding some liquid will usually help.
- When filling the cup, start with fresh fruit or veggies, then leafy greens or herbs. Next add liquids or yogurt, then seeds, powders, or nut butters. Finally, add ice or frozen ingredients.
- If using the Power Nutri™ Bowl, during the blending process twist the Power Paddle counterclockwise continuously to circulate ingredients.

Unit moves on counter while blending

- Make sure the counter and feet of the unit are clean and dry.

Lid or Hybrid Edge™ Blades Assembly is hard to install on the container

- Set the container on a level surface. Carefully place the lid or blade assembly on the top of the container and align the threads so the lid/blade assembly sits flat. Twist clockwise until you have a tight seal.

Can't remove the paddle from the Power Nutri Bowl

- The paddle in the Power Nutri Bowl is not removable. For cleaning instructions, refer to the Care & Maintenance section.

Warning

This content is compiled from multiple sources and is provided for reference purposes only. It may not be complete or fully applicable to all situations. If you are unable to resolve your issue, please contact the product manufacturer or an authorized service provider for official support.