

Let's get started

1. Attach the base.

Always attach the base to the console, whether it's in the vertical or horizontal position.

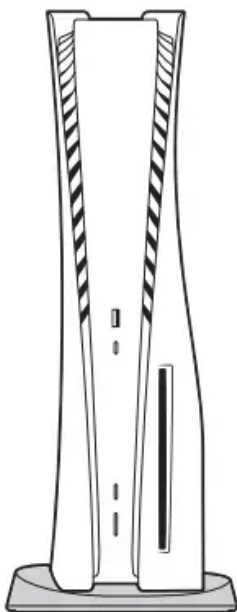
Place your console on a flat surface when attaching the base.

You'll need to reconfigure the base for the position of your console. Rotate the top and bottom part of the base in opposite directions. Keep rotating until you hear a "click".

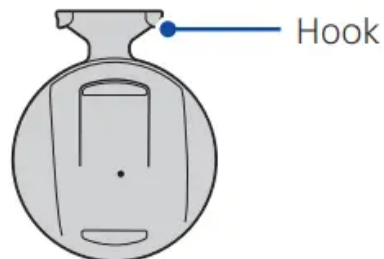


For the vertical position

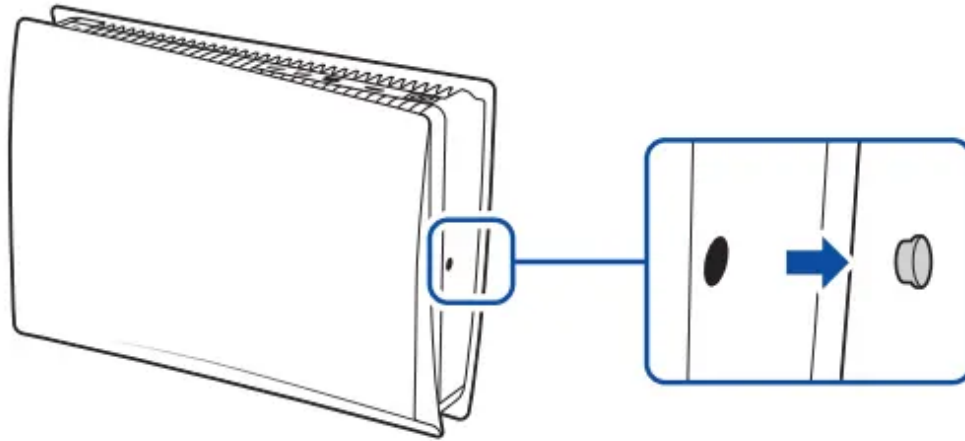
With the base attached



Make sure the hook is in the position as illustrated below before attaching the base to the console.

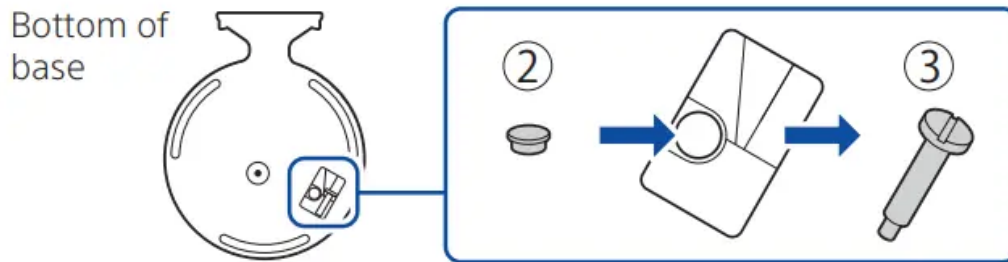


1. Place the console with the rear side facing up, and then remove the screw hole cap.

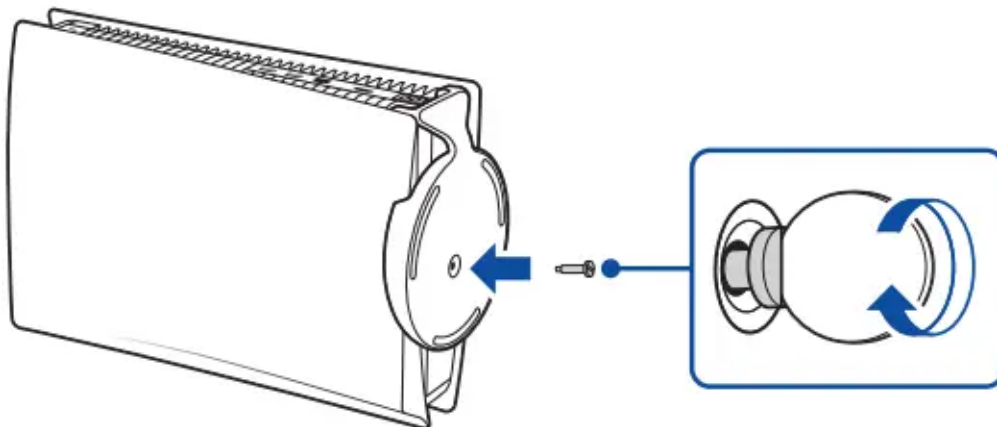


2. Attach the screw hole cap to the bottom of the base.

3. Remove the screw from the bottom of the base.



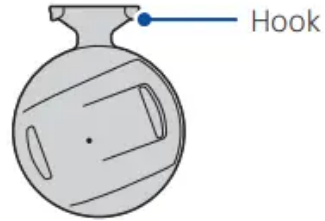
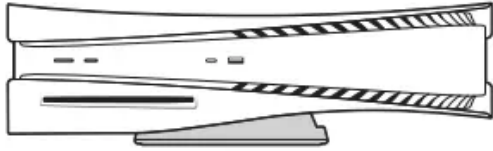
4. Attach the base, and then secure with a screw. Use a coin or similarly shaped object to tighten the screw.



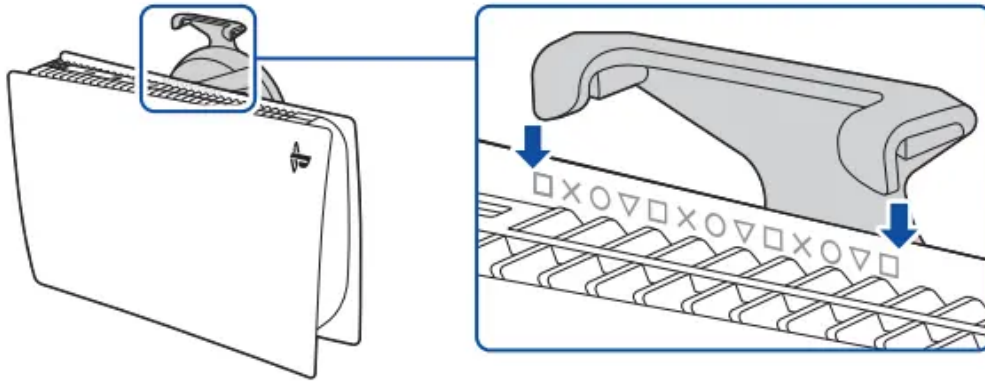
For the horizontal position

Make sure the hook is in the position as illustrated below before attaching the base to the console.

With the base attached



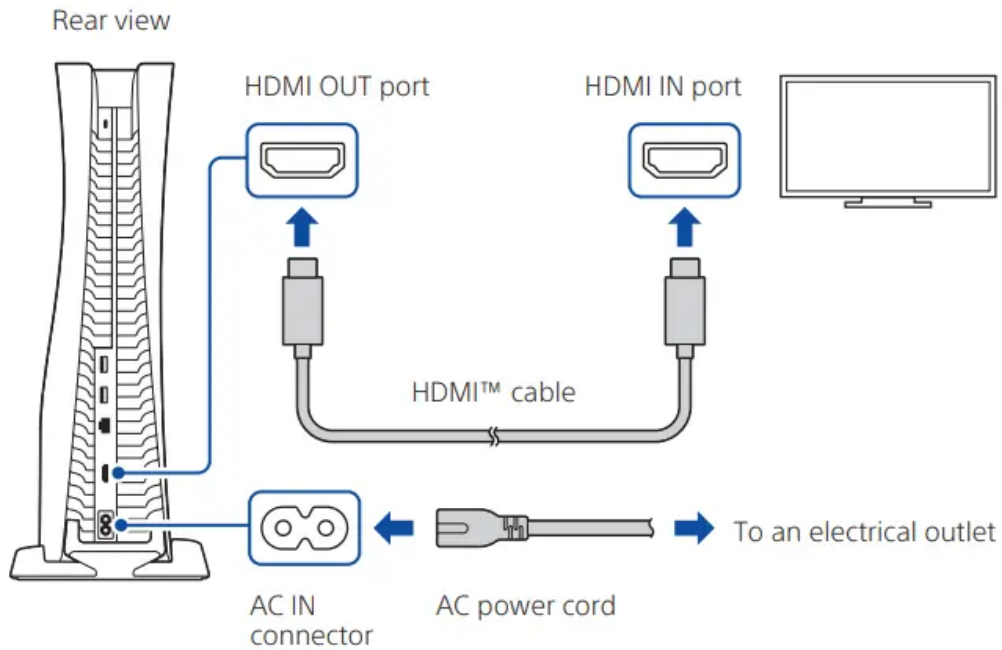
1. Place the console with the rear side facing up. Align the base with the marked area on the console, and press the base in firmly.



2. Connect the HDMI cable and the AC power cord.

Use the included cables.

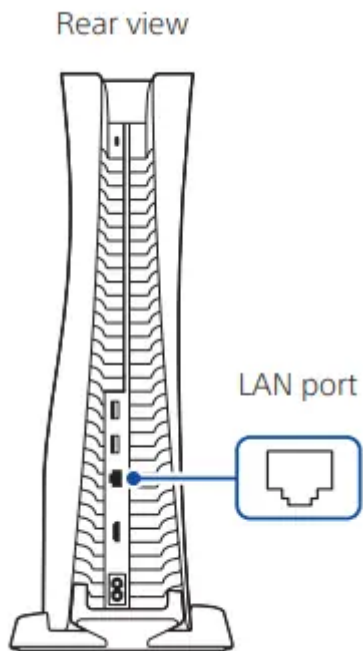
Make all connections before plugging the AC power cord into an electrical outlet.



3. Connect the LAN cable.

For a wired connection to the internet, use a LAN cable (not included).

If you're going to use Wi-Fi®, don't connect a LAN cable and skip to the next step.

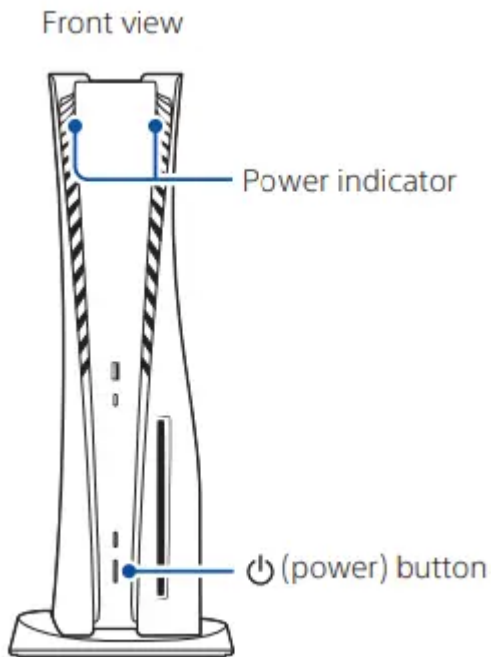


4. Turn on your TV and set the input to HDMI.

5. Turn on your PlayStation®5 console by pressing the (power) button.

The power indicator blinks blue, and then turns white.






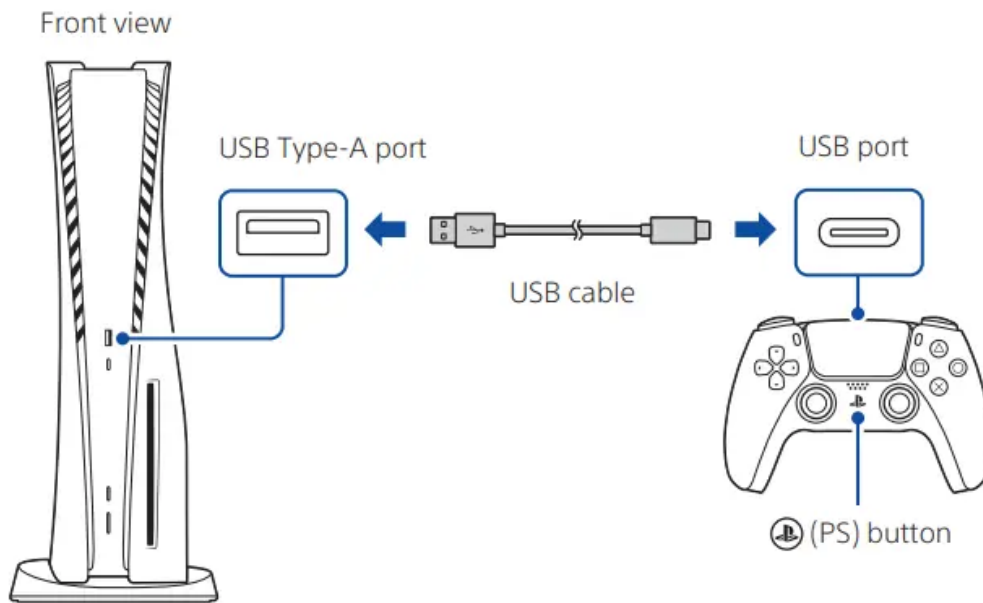
If you leave the console idle for 60 seconds after you turn it on, the text-to-speech feature turns on. You can listen to on-screen text and other important information read aloud to help you accomplish what you want to do.

6. Connect your wireless controller to your EN console using a USB cable, and

then press the  (PS) button.

To pair your controller, connect it with a USB cable to the USB port on your console. When you

press the  (PS) button, the controller turns on.



7. Make it your own.

You're almost done! Follow the on-screen instructions to

- Set up your console

Select your language, configure your internet connection settings, and manage your power save settings.

*Select **Optimized Experience in Power Options for Rest Mode** to charge your controller during rest mode or to enable your update files to install automatically.*

- Set up your account

Create a new account or sign in with an existing account, such as one you created on a PlayStation®4 console. See also “For PS4 users”.

- Download your content

Download purchased PS5™ games and media apps. If you have a PS4™ console, you can transfer the data to your PS5 console.

You'll know that setup is complete when **Welcome to PlayStation 5** appears on your screen.

Will a child be using your PS5 console? See also “Parental controls”.

- *The setup options that you see are tailored to your needs, based on information such as your network environment and the account that you're signed into.*
- *You can go back and change any of your settings by selecting **Settings** from the home screen.*

For PS4 users

Play some PS4 games on your PS5 console

You can play select compatible PS4 games in disc or digital formats on your PS5 console with a system software update.

Transfer data from a PS4 console to your PS5 console

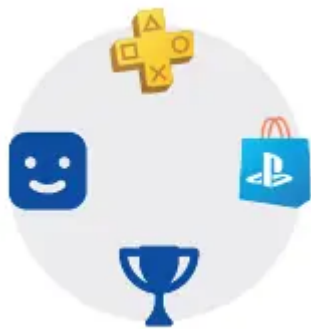
Connect your PS4 console and PS5 console to the same network to transfer data such as game save data, user information, and downloaded content.

If you have a USB drive that you've been using as extended storage for your PS4 console, you can continue using it by simply connecting it to your PS5 console.



Use the same account you created on a PS4 console

There's no need to create a new account for your PS5 console. Just sign in with your existing account and your game history, trophies, profile, and any exchanges you've had with friends will transfer to your PS5 console.

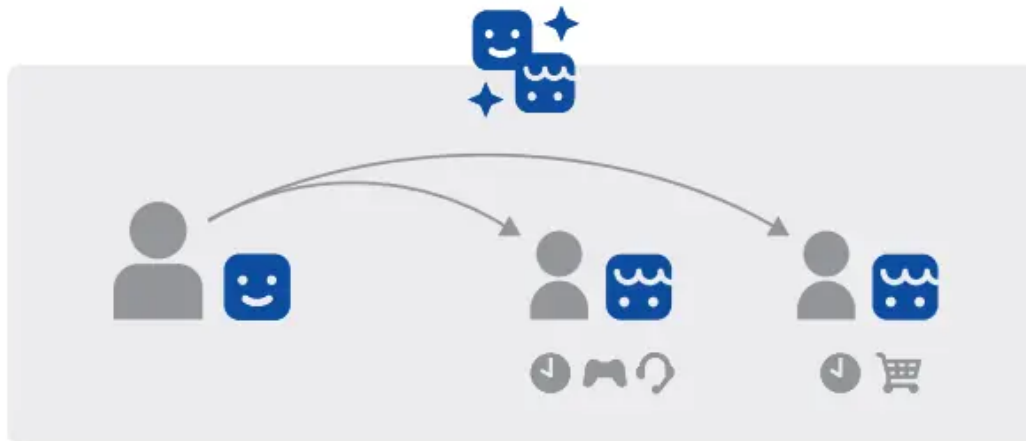


Parental controls

You can manage settings for children who use your PS5 console. Parental controls let you set restrictions on the games children can play, when and how long they play, who they communicate with, and more.

Each adult (👤) and child (👶) will need their own separate accounts. When you create an account for a child, it's automatically linked to your account, creating a family. You can set parental controls only for children in your family.

You can use an existing account, such as one you created on a PS4 console, for your PS5 console. Your family and parental control settings will carry over to your PS5 console.



Create an account for a child

You can create a child account and set parental controls at the same time.



Press the (PS) button to open the control center. Select your avatar, then select Switch User. From the user selection screen, select Add User to create an account.

Review and change your parental control settings

We recommend that you check the child's parental controls regularly. You can review or update them by selecting Settings ⚙️ > Family and Parental Controls from the home screen.

Game rating icons

Each game comes with a game rating icon that helps you determine whether it's age-appropriate for the child.

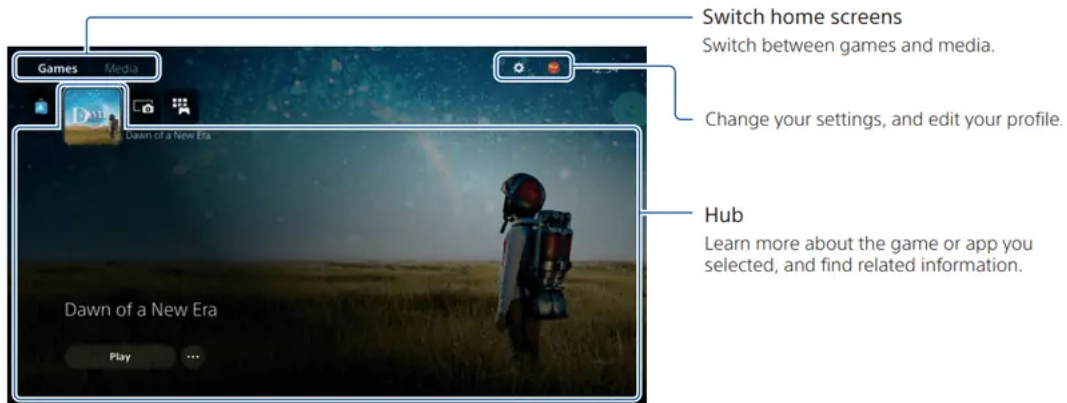
Approximate age of user	6	10	13	17
Game rating labels				






What's on the screen

Home screen


From the home screen, you can go to two types of content: games or media. In the games home, you'll find your games, PlayStation™Store, and other game-related apps. In the media home, you'll find music, video, and other non-game related apps.

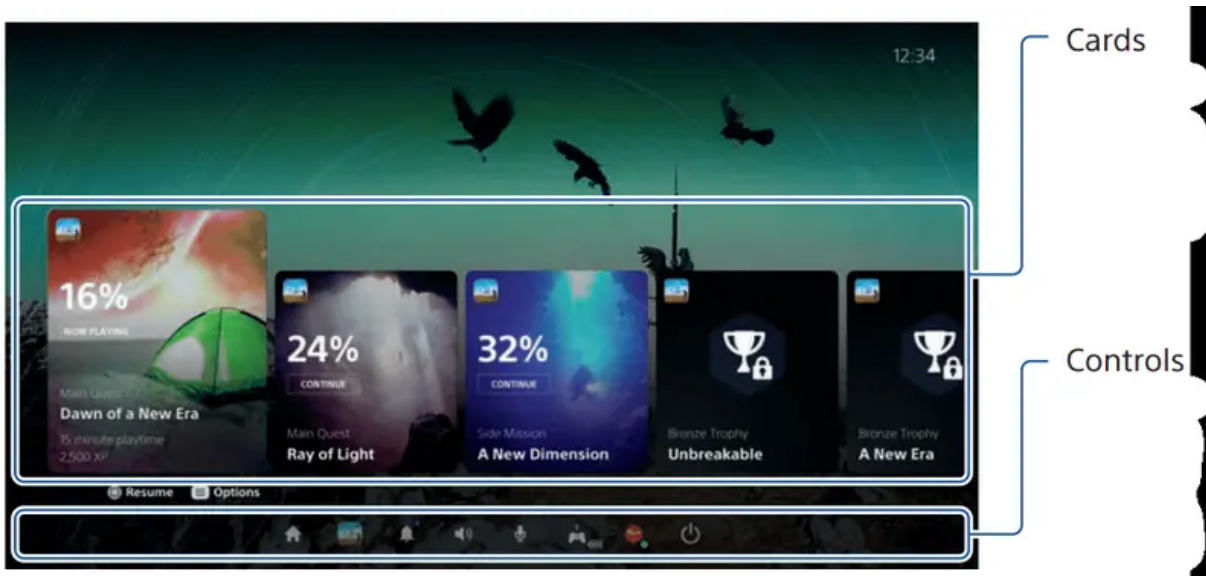




- On the PS5 console, the  button confirms selected items.
- To return to the home screen while your game or app is running, select Home  from the control center, or press and hold the  (PS) button on your controller.

Control center



Press the  (PS) button to open the control center. You can access a variety of features without leaving your game or app.



- **Cards** - Cards show you features and activities related to your games and apps that are available depending on what you're doing at that moment. Select a card to learn more, or jump to the next card.
- **Controls** - Select **Home**  to return to your home screen, and **Power**  to turn off your PS5 console. Perform other basic functions here, too. Get quick access to the functions and settings you use most during gameplay.

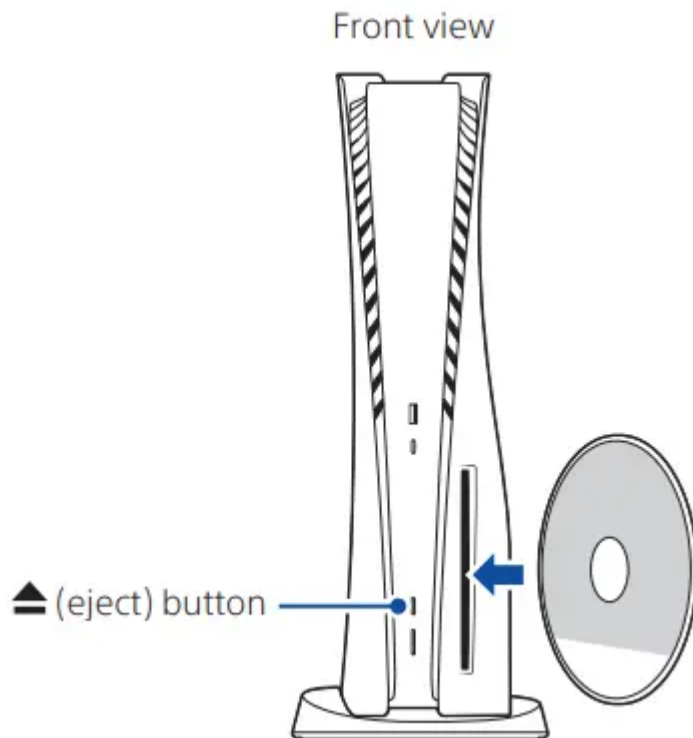
Let's play

Play a game from a disc


Insert the disc.

Game data will start copying, and you'll get a notification when the game is ready to play.

Select the game from your games home.



Eject the disc

Press the  (eject) button to eject the disc.

Play a digital game

You can play a game that you downloaded from PlayStation Store .

You'll get a notification when the game is downloaded and ready to play.


Select the game from your games home.

To purchase and download games, you'll need to connect your console to the internet and sign in to your account.

Use your controller

Charge your controller

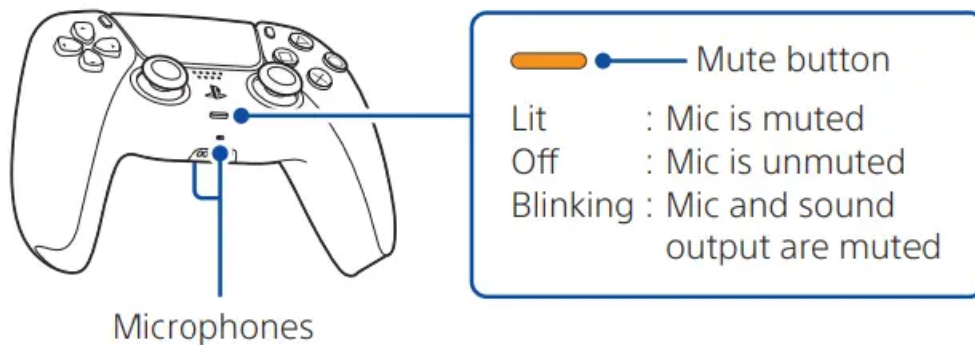
With your PS5 console turned on or in rest mode, use a USB cable to connect your controller to the console. When your console is in rest mode, the light bar on your controller slowly blinks orange. After charging is complete, the light bar turns off.

To charge your controller while your console is in rest mode, go to **Settings**  > **System** > **Power Saving** > **Features Available in Rest Mode** > **Supply Power to USB Ports**, and select an option other than Off.

Mute your microphone


Each time you press the mute button, your mic switches between muted (button lit) and unmuted (button off).

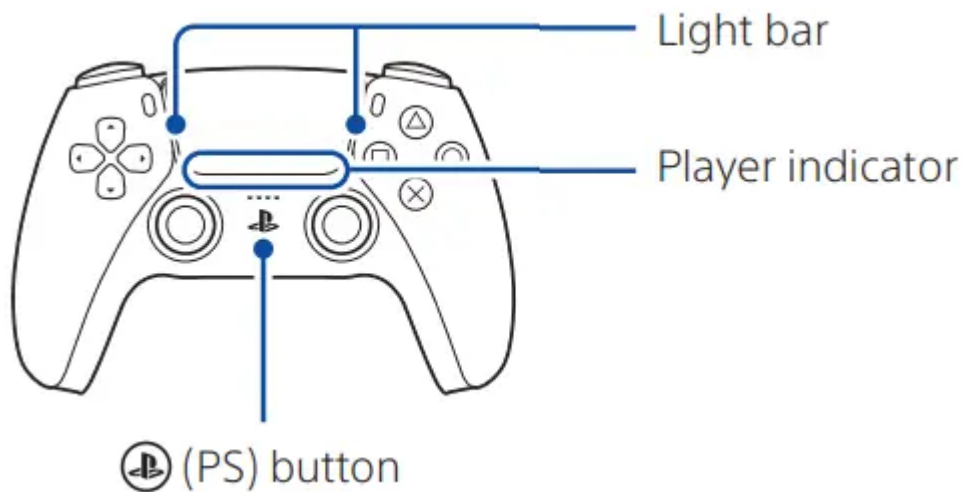
Press and hold the mute button to mute your mic and to turn off sound output from the speakers on your controller and TV. Press the mute button again to return to the original state.



Use multiple controllers



You can use up to 4 controllers at once. Press the  (PS) button to assign numbers to your controllers. The player indicator lights turn on accordingly. Numbers are assigned in order from 1, and you can determine your controller's number by the number of lights that turn on.



- You'll need to pair your controller when you use it for the first time.
- When you play a PS4 game, your controller's light bar glows blue, red, green, or pink based on the order that the controller is connected. This is separate from the player indicator.

Turn on your PS5 console with a controller



Press the (PS) button on a controller that has finished pairing to turn on your PS5 console.


Shutting down

Caution: Disconnect the AC power cord from the electrical outlet only when the power indicator is off. If you disconnect it while the power indicator is on solidly or blinking, data might be lost or become corrupted, and you might damage your console.

Put your console in rest mode


In rest mode, your console stays on, but at a lower power consumption. You can do things like charge your controller, automatically update your system software, and keep your game or app suspended in rest mode.

For some features, you'll need to enable their settings to use them. Go to **Settings > System > Power Saving > Features Available in Rest Mode**.

Select **Power**  from the control center, and then select Enter Rest Mode. The power indicator

blinks white, and then turns orange. To exit rest mode, press the  (PS) button.

Turn off your console completely

Select **Power**  from the control center, and then select Turn Off PS5. The power indicator blinks white, and then the console turns off.

Power indicator

White	Console is on.
Orange	Console is in rest mode.
Off	Console is off.

Warning

This content is compiled from multiple sources and is provided for reference purposes only. It may not be complete or fully applicable to all situations. If you are unable to resolve your issue, please contact the product manufacturer or an authorized service provider for official support.