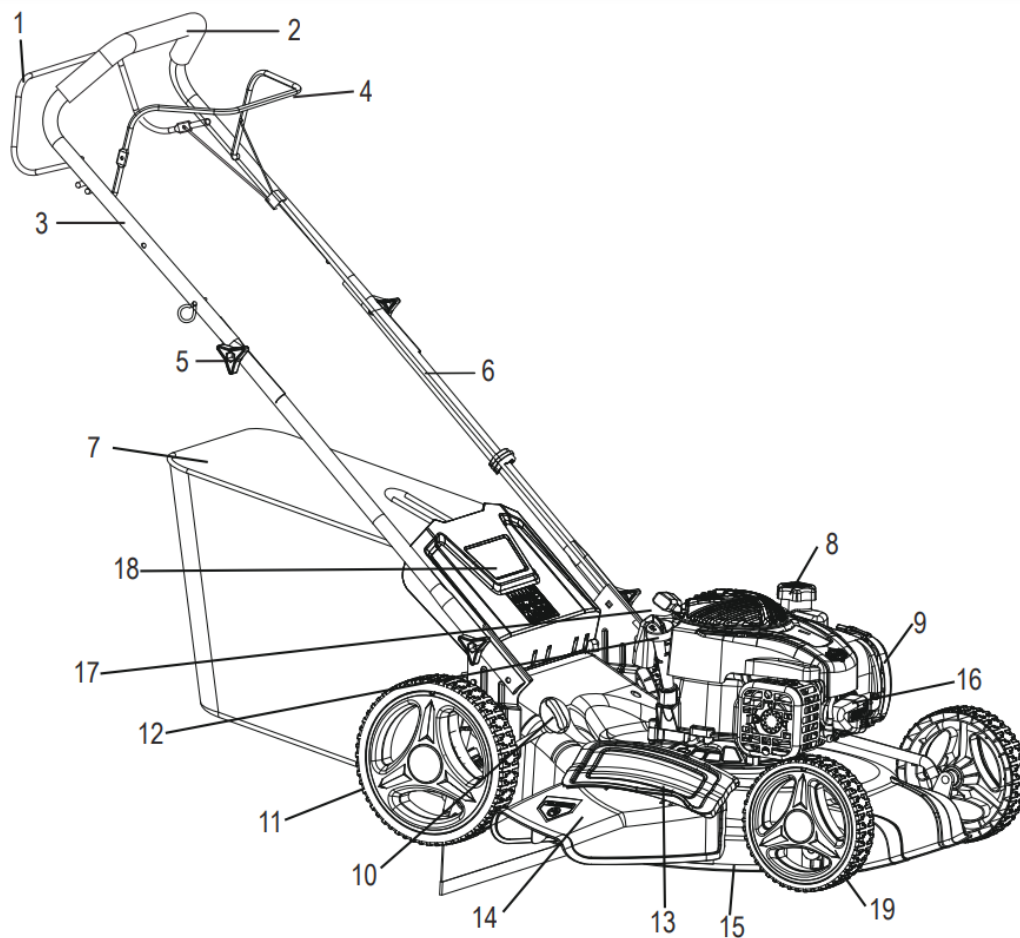


DESCRIPTION OF PRODUCT PARTS

As shown in Fig 1

| | |
|--------------------------------------|-----------------------------|
| 1. Drive lever (clutch lever) | 10. Height adjusting handle |
| 2. Soft grip | 11. Rear wheel |
| 3. Upper handle | 12. Engine oil cap |
| 4. Brake lever /stop lever | 13. Side discharge cover |
| 5. Handle knob with square neck bolt | 14. Side discharge chute |
| 6. Lower handle | 15. Deck |
| 7. Grass bag | 16. Spark plug boot |
| 8. Fuel tank cap | 17. Pull start |
| 9. Primer | 18. Rear discharge cover |
| | 19. Front wheel |

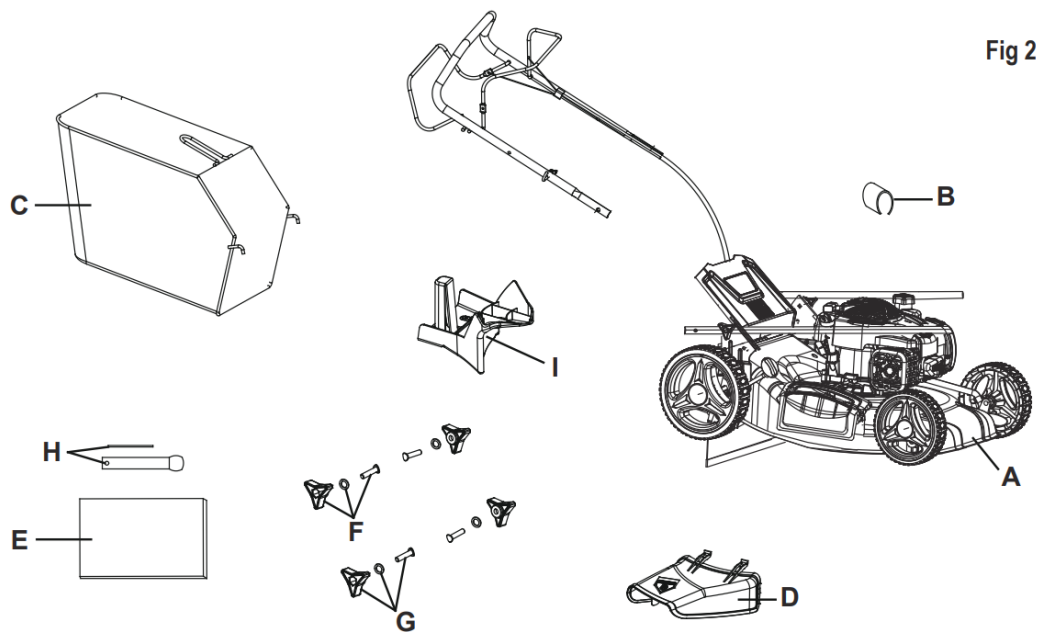


As shown in Fig 2

Carefully remove the machine from its packaging and check that the following parts are complete:



- A. Main mower deck (with upper handle and lower handle) 1pc
- B. Cable clip 1pc
- C. Grass bag assembly
- D. Side discharge chute 1pc
- E. Manual 1pc
- F. Knob with bolt M8 2pc (Lower handle)
- G. Knob with bolt M8 2pc (Upper handle)
- H. Spark Plug Wrench 1pc
- I. Plastic mulching plug 1pc (inside the mower)



WARNING! If any parts are damaged or missing, do not operate this tool until the missing parts are replaced. Failure to heed this warning could result in serious personal injury

NOTE! Always recycle the packaging in accordance with local recycling laws.

WARNING This item requires a two person lift to remove from the packaging. Make sure that you have sufficient space to put the lawn mower down. Keep your feet apart so that you have a stable position, bend at the knees and keep your back straight.

ASSEMBLY

Assembling The Handle

As shown in Fig 3&4

1. Fasten the lower handle to The device by using two bolts and two small knobs on each side .
2. Unfold the upper handle and fix it to lower handle. By using the big knobs and the bolts on each side

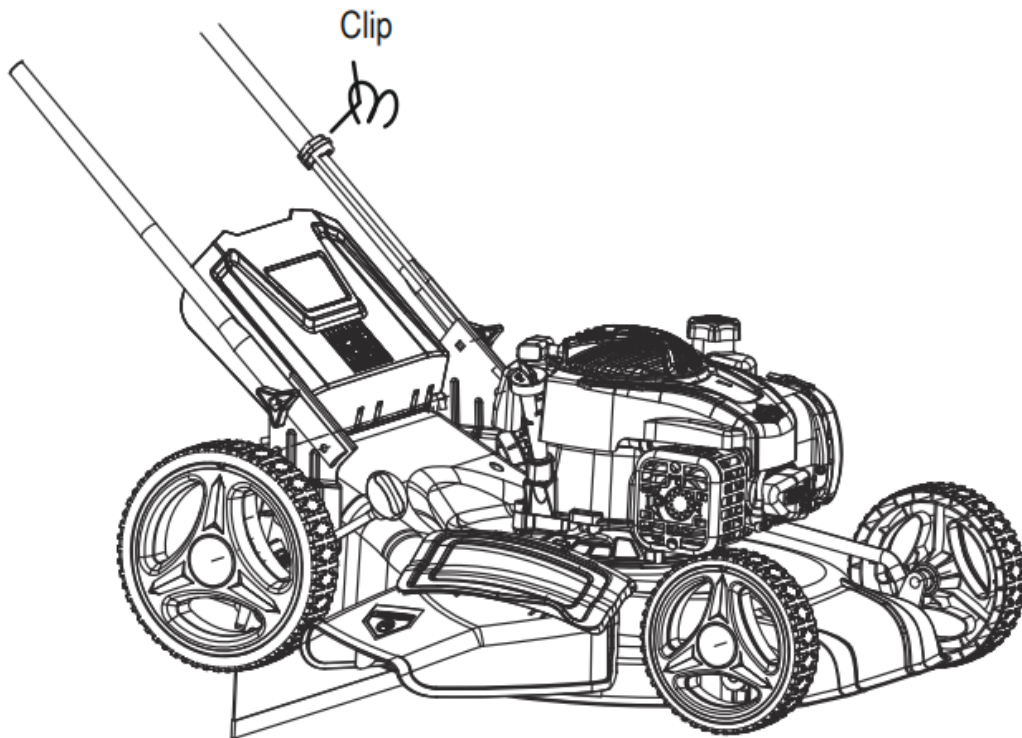
NOTE Make sure the rope guide is on the right handle, when you stand behind the mower.

Tidy The Connection Cord

As shown in Fig 5


Fix the connection cord to the handle with the cord clip (supplied).

Fig 5




Assembling Pull Start Hook

As shown in Fig 6

| | |
|--|---|
| <ol style="list-style-type: none">1. Pull the rope through the hook2. Insert the hook through the pre-drilled hole on the frame.3. Secure the hook with the nut. |  |
|--|---|


Assembling The Grass Bag Onto The Mower

As shown in Fig 7

| | |
|--|---|
| <ol style="list-style-type: none">1. Lift the rear discharge cover with one hand and hook in the grass bag .2. Release the rear discharge cover to secure the grass bag in position |  |
|--|---|

Assembling the mulching plug


As shown in Fig

| | |
|---|---|
| <ol style="list-style-type: none">1. Remove the grass bag2. Push the plastic mulching plug Into the discharge chute until it is locked in place.3. Then release the flap, it will close to cover the mulching plug. |  |
|---|---|

Assembling the side discharge chute

As shown in Fig. 9

NOTE! When using the side discharge function. You need to first remove the grass bag **NOTE!** and install the mulching plug.

| | |
|---|---|
| <ol style="list-style-type: none">1. Lift the side discharge cover with one hand and hook in the side discharge duct with the other hand.2. Release the side discharge cover to secure the duct in position. |  |
|---|---|

ADJUSTMENT

Setting The Cutting Height

As shown in Fig 10

CAUTION Adjust the cutting height only when the engine is shut off and the spark plug boot has been pulled.

| | |
|---|--|
| <p>The cutting height is adjusted with a single lever. Different cutting heights can be selected.</p> <p>Pull the adjusting handle out and select the desired cutting height. The handle snaps into the desired position.</p> <p>From position 1 to position 7.</p> | |
|---|--|

Setting Required Function

CAUTION! This lawn mower has three functions. These functions can be converted by changing accessory settings. Please see the following chart for detail setting.

| TO CONVERT MOWER | MULCHING PLUG | GRASS BAG | SIDE DISCHARGE |
|----------------------|---------------|-----------|----------------|
| For rear bagging | x | √ | x |
| For mulching | √ | x | x |
| For side discharging | √ | x | √ |

“√”: installed “x” :removed

OPERATION

Starting / Stopping The Engine

WARNING! The blade begins to rotate as soon as the engine is started.

WARNING! Do not operate the machine in enclosed or poorly ventilated areas as the exhaust gas contains toxic substance. Keep hands, feet, and clothing away from all the moving parts of the machine. The exhaust and other parts of the machine will become hot during use. Make sure that the blade is securely fastened before starting the engine.

NOTE! To start the engine, make sure that the spark plug boot is located on the plug and the machine is filled with sufficient oil and fuel.

To Start The Engine

As shown in Fig 11

1. Stand behind the mower. Pull the engine Start/Stop lever toward upper handle with one hand and place the other hand on the pull start.
2. Pull the pull start out approx. 4-6 inches until you feel a resistance and then start the engine with a sharp pull.

NOTE! If the engine fails to start after three pulls, repeat the process .

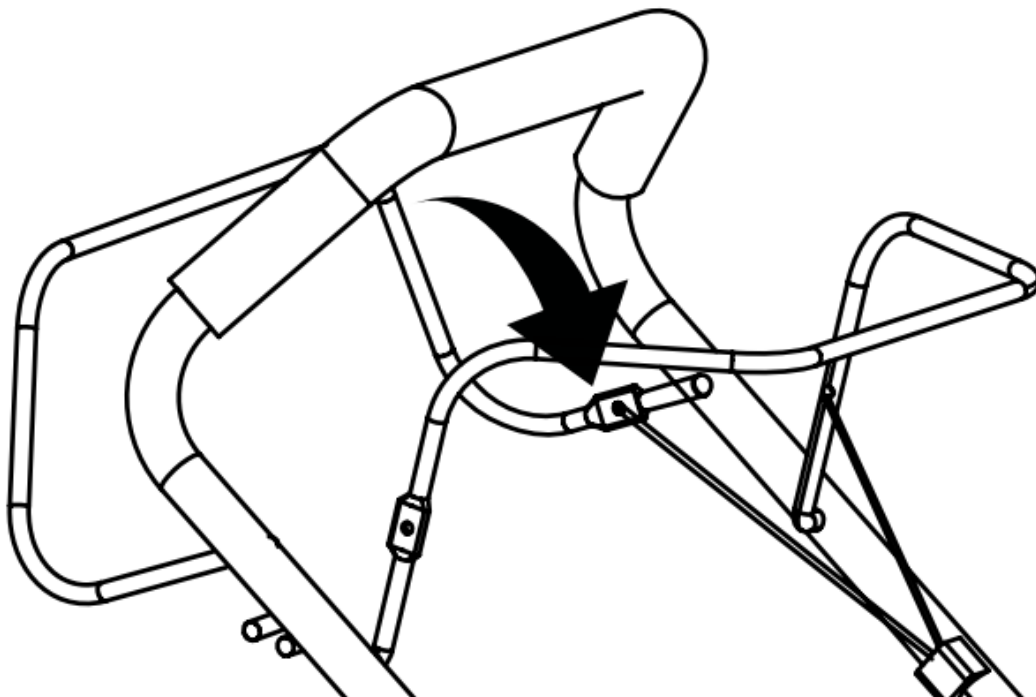
3. Once the engine is running, put the starter rope into the rope guide. As shown in Fig 12

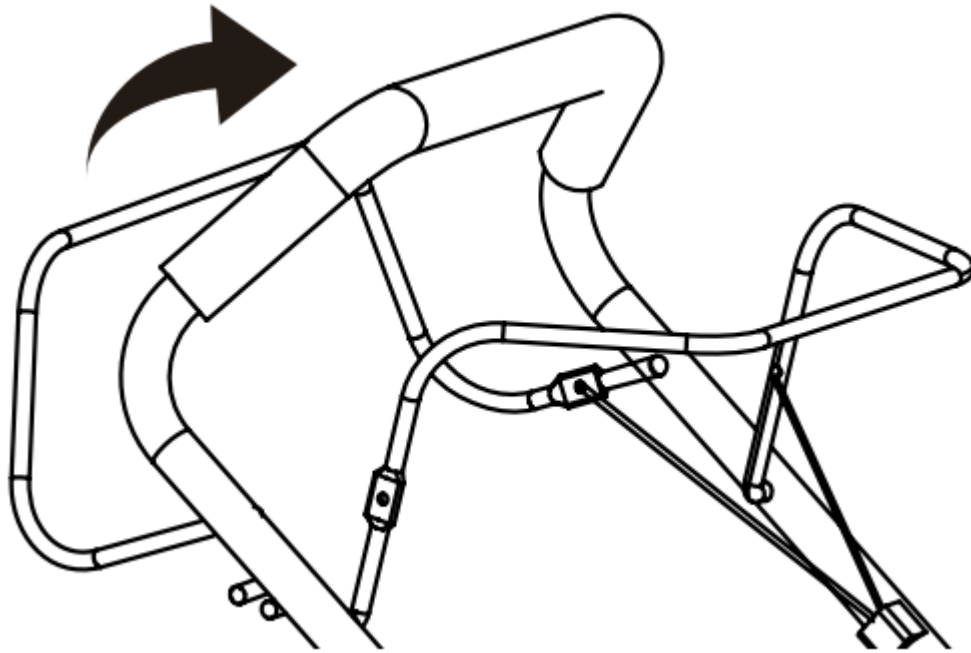
Stopping The Engine

As shown in Fig 13

Release the engine start/stop lever, it will return to its initial position, the engine will automatically switch off.

Fig 13





To Clean A Flooded Engine

NOTE! If the engine won't start after you have pulled the starter several times, the engine may be flooded with excess fuel. Use following procedure to clear and start a flooded engine.

1. Release the engine start/stop lever to stop engine.
2. Remove the spark plug, dry it, and then reinstall it.

NOTE! Install the spark plug carefully by hand, to avoid cross-threading. After the plug is seated tighten 1/8 to 1/4 turn with a spark plug wrench to compress the washer.

3. Pull the engine start/stop lever toward upper handle.
4. Operate the pull start as described above.

Mowing

WARNING! Always observe the strictest safety procedures when using the lawn mower. Carefully read the safety instructions of this manual before using the lawn mower.

WARNING! Requiring engine shutdown before removing OR emptying the bag

1. Select your required setting.
2. Start the engine and allow it run, and set it to required speed. See "to start the engine".
3. Keep a firm grip on the upper handle with engine stop/start lever and walk along with it to start mowing.

As soon as grass clippings start to trail the lawn mower, it is time to empty the grass bag.

NOTE! Before taking off the grass bag, switch off the engine and wait until the blade has come to a stop.

1. To take off the grass bag, use one hand to lift up ejector flap and the other to grab onto the carry handle. The ejector flap automatically falls down after removing the grass bag and closes off the rear chute opening.
2. Empty the grass debris in the grass bag, and refit grass bag.

NOTE! If any grass residue is caught in the discharge chute, clean it using a brush. Do not remove grass debris in the mower deck or on the blade by hand or with your feet. **NOTE!** Instead use suitable tools such as a brush or broom. To ensure that the cut grass can be collected into grass Bag, the discharge opening and inside the mower deck must be cleared of any blockage.

High Altitude Operation

If operating lawn mower regularly at altitudes over 5,000 feet, the carburetor's air-fuel mixture will be too rich and emissions may increase. On engines not built for the United States the carburetor can be adjusted to operate under this condition. The carburetor should be returned to its normal setting if regular operation becomes less than 5,000 feet. Contact your service center to modify the carburetor.

STORING AND MAINTENANCE

Cleaning

WARNING! Before performing any maintenance or cleaning work, switch Off the engine and wait until the blade has come to a stop.

General Cleaning

The lawn mower should be cleaned thoroughly every time after it has been used. Always clean your lawnmower immediately after use. Do not allow grass cuttings and other debris to become dry and hard on any of the mower surfaces. Dried grass remnants and dirt may impair the mowing operation.

Check that the grass chute is free of any residual grass. Remove any such residue. Check the underside of the lawn mower and the blade mount Tilt the lawn mower onto its left side (opposite the oil filler neck)

Replacing The Blade

For safety reasons you should have your blade sharpened, balanced and mounted by an authorized service workshop. For optimum results it is recommended that the blade should be inspected once a year.

WARNING!

- Before you remove the grass collection bag, stop the engine and wait until the blade stops completely.
- You will need garden gloves (not provided) and a spanner wrench(not provided) to remove the blade

NOTE! Don't invert the mower. Tip it slightly towards the oil filler pipe before reaching under the deck.

WARNING!

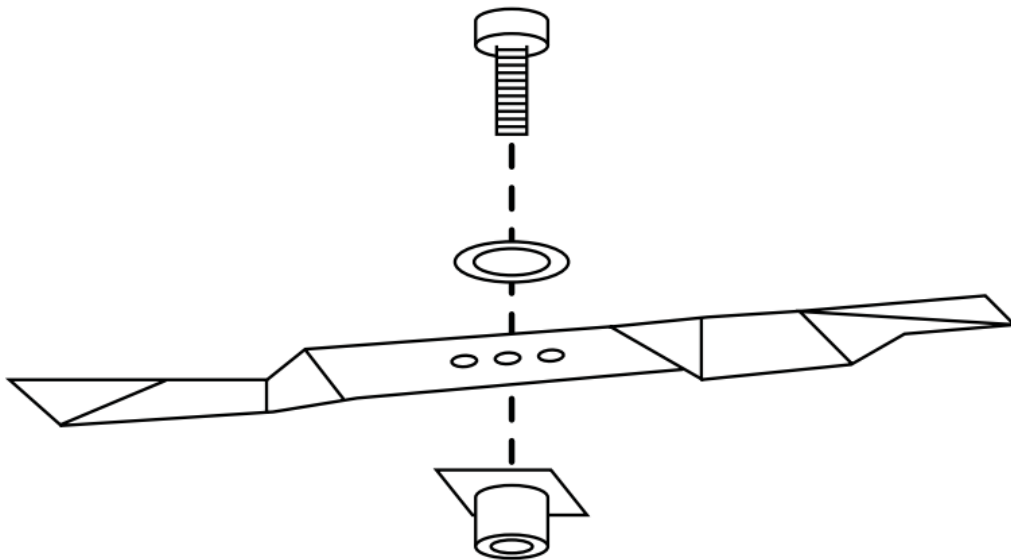
Always handle the blade with care, sharp edges could cause injury USE GLOVES. Renew your metal blade after 50Hrs mowing or 2yrs whichever is sooner regardless of condition.

If the blade is cracked or damaged replace it with a new one.

Don't hold the blade with your bare hand.

NOTE! Maintain the sharpness of the blade when cutting grass. If the blade has worn excessively and become pitted and blunt, it should be replaced or sharpened. The sharpness of the blade will affect the performance of the lawnmower.

Fig 14



For safety reasons we recommend that the blade only be changed by someone qualified and authorized to do so.

Hold the blade and unscrew the blade bolt counterclockwise using a spanner wrench. Remove the washer and the blade.

Fit a new blade or re-sharpen the blade, locate the blade on the two studs on blade mount and then replace the washer and bolt. Make sure the blade is correctly located, and then firmly tighten the bolt. Do not over tighten. The up turn of the blade must project into the mower upper deck.

Storing the Lawnmower for Short Periods

The lawnmower can be stored for short periods of time (less than 15 days) without performing any storage maintenance.

Before placing the lawnmower into storage always carry out the following:

1. Allow the engine to fully cool.
2. Ensure the grass bag is empty.
3. Clean all debris from under the mower deck.
4. Store the lawnmower on flat and level surface with the mower upright.
5. Store in a safe place which is not accessible by children or people who are not familiar with operation.

Storing the Lawnmower for Extended Periods

If the lawnmower is to be placed into storage for more than 15 days, storage maintenance must be performed on the lawnmower. If the following steps are not carried out, when you next operate the lawnmower it may not start correctly and may need to be serviced.

CAUTION! Do not empty the fuel tank in enclosed areas, near fire or when smoking. Gasoline fumes can cause explosions and fire.

1. Empty the gas tank with a gasoline suction pump if available.
2. Start the engine and let it run until any remaining gasoline has been used up.
3. Change the oil at the end of every season. To do so, remove the used engine oil from a warm engine and refill with fresh oil.
4. Clean the cooling fins of the cylinder and the housing
5. Be sure to clean the entire machine to protect the paint.
6. Store the machine in a well-ventilated place.

Maintenance Schedule

Performing routine maintenance correctly on your lawnmower will ensure you get years of trouble free use.

Please keep this manual safe for future reference.

It is recommended that the following maintenance schedule is adhered to. This will ensure the lawnmower operated correctly and is safe to use.

| | 12 HOURS OF USE | 24 HOURS OF USE | 36 HOURS OF USE |
|------------|-----------------|-----------------|-----------------|
| Air Filter | Clean | Clean | Replace |
| Spark Plug | Check | Clean | Replace |
| Oil | Check | Check | Check |

Transporting Equipment Guidelines

Empty the gas tank.

Always let the engine run until it has used up the remainder of gas in the tank.

Empty the engine oil from the warm engine.

Remove the spark plug boot from the spark plug.

Clean the cooling fins of the cylinder and the housing.

Use the original packaging to ship whenever possible.

TROUBLESHOOTING

WARNING Before performing any maintenance or cleaning work, switch off the engine and wait until the blade has come to a stop.

CAUTION Improper repairs can result in the product functioning unsafely. This endangers yourself and your environment.

Please be aware that any improper repairs will also invalidate the warranty and additional costs may be incurred.

Use only genuine spare parts. Only these spare parts are designed and suitable for the product. The use of other spare parts not only voids the warranty, you can also endanger yourself and your environment.

| FAULT/MALFUNCTION | CAUSE | SOLUTION |
|--|---|--|
| Loud while running, machine vibrates heavily | Screws are loose Blade fasteners are loose Blade is unbalanced | Check screws Check blade fasteners Replace blade |
| Engine does not start | Start/stop lever not pressed Spark plug is defective Fuel tank is empty Engine may be flooded | Replace spark plug Refill with fuel Clean spark plug and dry |
| Engine runs unsteadily | Air filter is soiled Spark plug is soiled | Clean the air filter Clean the spark plug |
| Uneven mowing results | Blade is blunt Cutting height is too low | Sharpen the blade Set correct cutting height |
| Grass bag is not filled sufficiently | Blade is worn Grass bag is clogged Cutting height is right? The lawn / grass is wet? Does the discharge channel/ housing blocked? Has underside of the mower deck become clogged? | Replace the blade Empty the grass bag Correct the cutting height Allow grass to dry Clean the discharge channel Clean the underside of the mower deck |

SAFETY INFORMATION

IMPORTANT

Please read these instructions fully before assembling and operating.

Description Of Symbols

Symbols are used in this manual to attract your attention to possible risks. The safety symbols and the explications which accompany them must be perfectly understood. The warning themselves do not prevent the risks and cannot be a substitute for proper methods of avoiding accidents.

Warning Symbols On The Machine

| | |
|--|---|
| | WARNING- To reduce the risk of injury, user must read instruction manual. |
| | This symbol, before a safety comment, indicates a precaution, a warning or a danger. Ignoring this ingoring this symbol can lead to an accident for yourself or for others. To limit the risk of injury, fire, or electrocution always apply the recommendations indicated. |
| | Keep bystanders away |
| | Beware of sharp blades –remove spark plug before maintenance |
| | Never refuel while the engine is running |
| | Risk of injury. Do not open or remove safety shields while engine is running. |

Warning Symbols On The Machine

| | |
|--|---|
| | Wear eye ang ear protection, eye protection when operating. |
| | Hot surfaces will burn fingers or palms |
| | Warning! The lawnmower exhaust gas contains toxic substances . Do not run the engine in closed or poorly ventilated areas. |
| | Waste electrical products should not be disposed of with household waste. Please recycle where facilities exist. Check your local authority or retailer for recycling advice. |

Training

1. Read the instructions carefully. Be familiar with the controls and the proper use of the equipment.
2. Never allow children or people unfamiliar with these instructions to use the lawnmower. Local regulations can restrict the age of the operator.
3. Never mow while people, especially children, or pets are nearby.

4. Keep in mind that the operator or user is responsible for accidents or hazards occurring to other people or their property.

Preparation

1. While mowing, always wear substantial footwear and long trousers. Do not operate the equipment when barefoot or wearing open sandals.
2. Thoroughly inspect the area where the equipment is to be used and remove all objects which can be thrown by the machine.
 - **WARNING Gasoline is highly flammable.**
3. Warning - gasoline is highly flammable.
 - Store fuel in containers specifically designed for this purpose.
 - Refuel outdoors only and do not smoke while refueling.
 - Add fuel before starting the engine. Never remove the cap of the fuel tank or add gas while the engine is running or when the engine is hot.
 - If fuel is spilled, do not attempt to start the engine but move the machine away from the area of spillage and avoid creating any source of ignition until gasoline vapours have dissipated.
 - Replace all fuel tank and container caps securely.
4. Replace faulty muffler.
5. Before using, always visually inspect to see that the blades, blade bolts and cutter assembly are not worn or damaged. Replace worn or damaged blades and bolts in sets to preserve balance.
6. On multi-bladed machines, take care as rotating one blade can cause other blades to rotate.

Operation

1. Do not operate the engine in a confined space where dangerous carbon monoxide fumes can collect.
2. Mow only in daylight or in good artificial light.
3. Avoid operating the equipment in wet grass, where feasible.
4. Always be sure of your footing on slopes.
5. Walk, never run.
6. For wheeled rotary machines, mow across the face of slopes, never up and down.
7. Exercise extreme caution when changing direction on slopes.
8. Do not mow excessively steep slopes.
9. Use extreme caution when reversing or pulling the lawnmower towards you.

10. Stop the blade(s) if the lawnmower has to be tilted for transportation when crossing surfaces other than grass, and when transporting the lawnmower to and from the area to be mowed.

Warning

This content is compiled from multiple sources and is provided for reference purposes only. It may not be complete or fully applicable to all situations. If you are unable to resolve your issue, please contact the product manufacturer or an authorized service provider for official support.

Document generated by [ManualsFile](#)