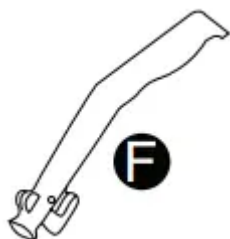
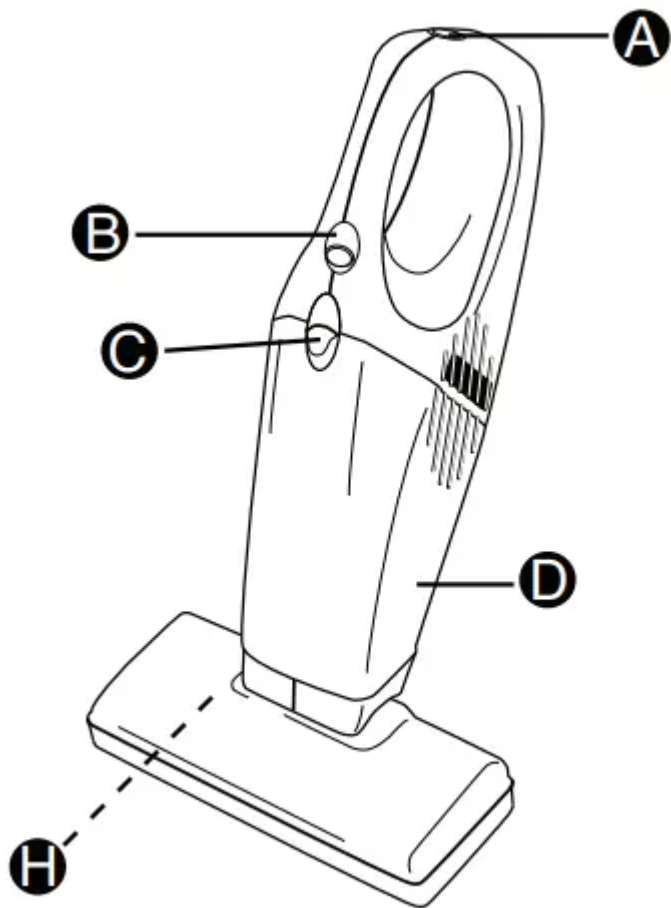
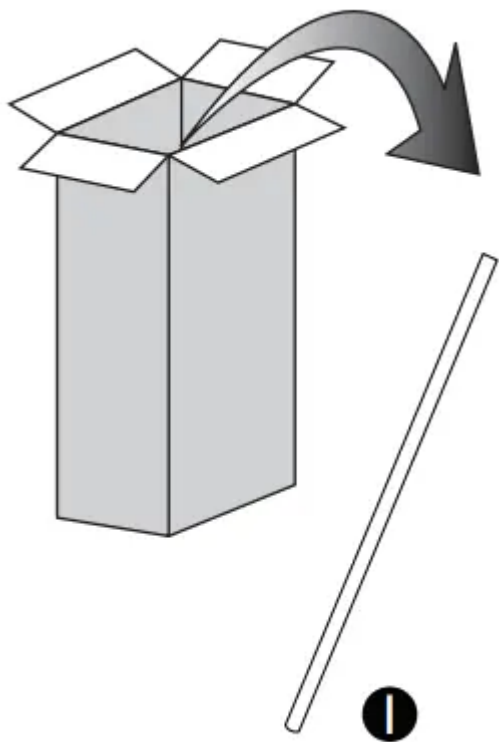


User Manual Vacuum Cleaner

What comes in the carton

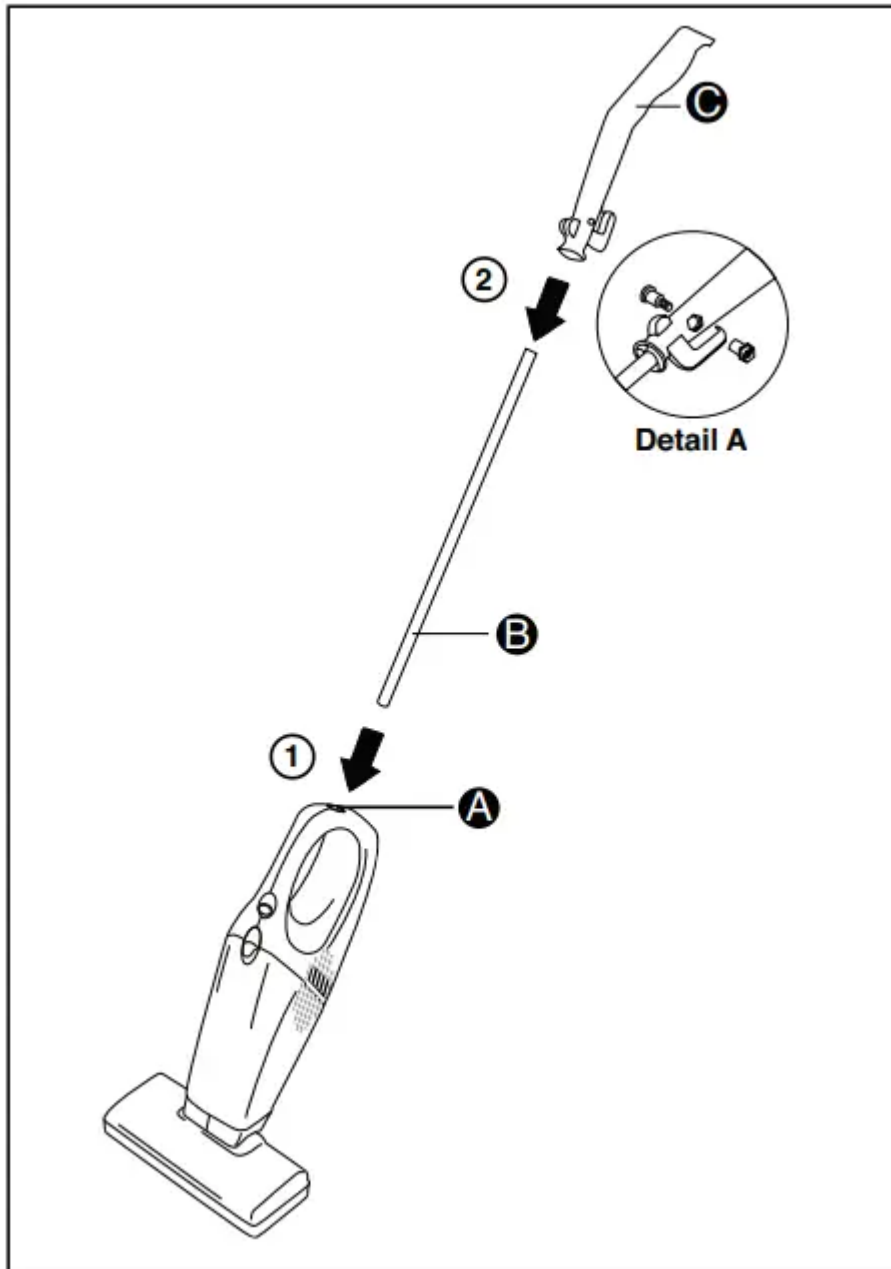




- A. Lock button
- B. On/Off Switch
- C. Dust cup latch
- D. Dust cup
- E. Dust cup filter
- F. Handle grip
- G. Handle bolt
- H. Brush roll (optional)- Inside nozzle

How to assemble your vacuum cleaner

Assemble completely before using.



1. Attach Handle

Use your thumb to pull back on the lock button A .

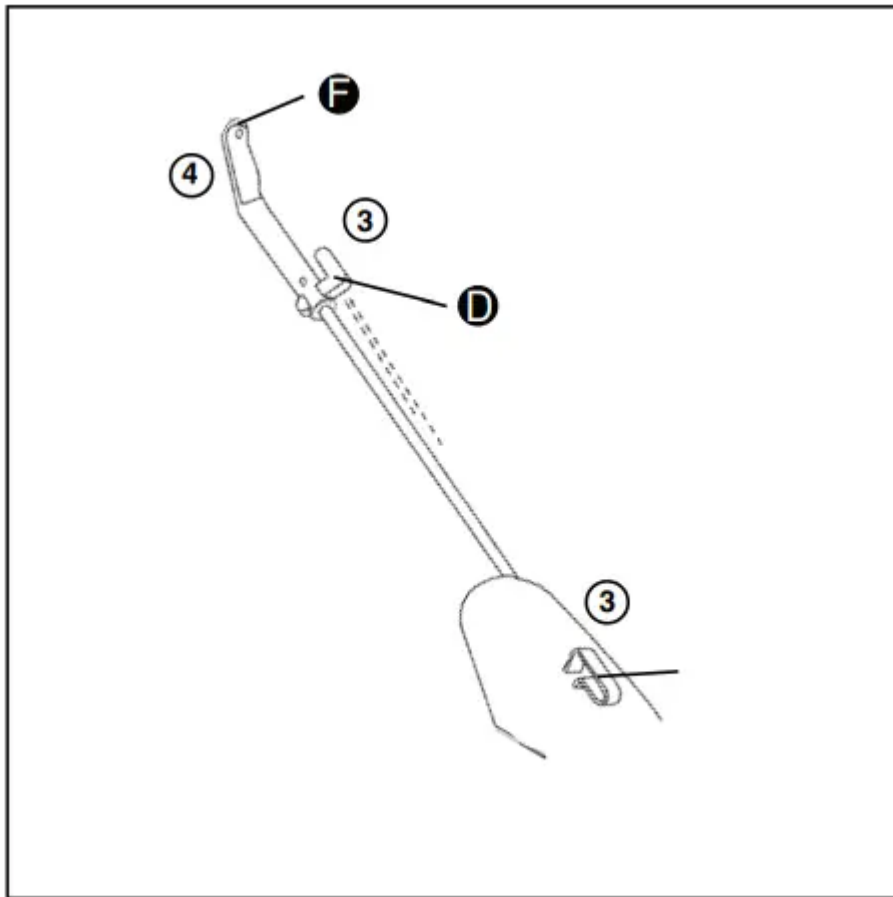
Push handle B into top of cleaner. Insert end with black knob into the cleaner.

Release lock button A and rotate handle B until it locks into place.

2. Attach Handle Grip

Locate the handle bolt in the accessory package. A

Align the hole in the handle B with the hole in the handle grip C and secure with the 2-part handle bolt, see Detail A. Tighten the handle bolt.



3. Store Cord

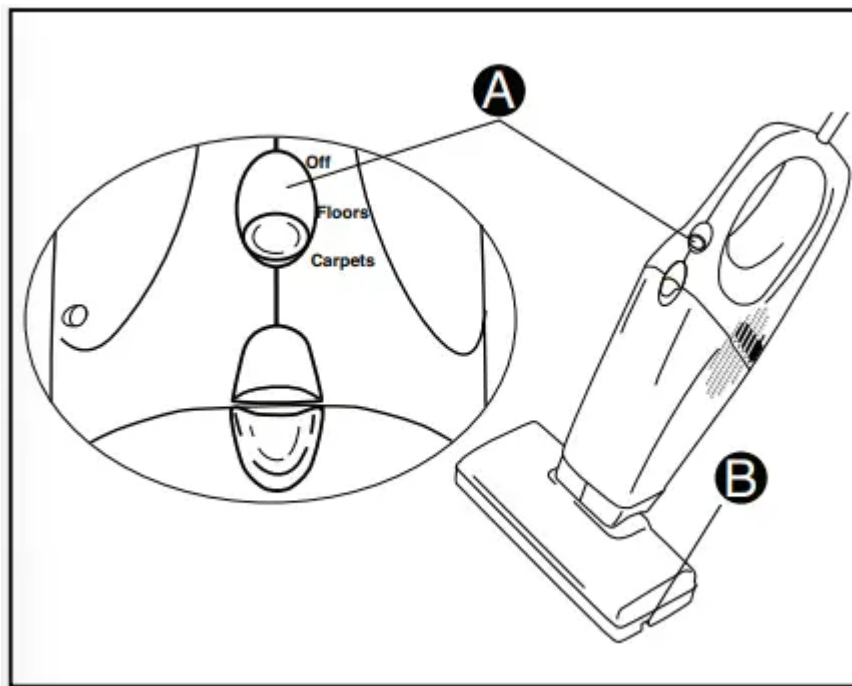
Pull up on the electrical cord. Push cord into cord retainer inside upper cord hook D . Wrap cord around upper D and lower E cord hooks. Fasten plug to electrical cord to prevent unwinding.

4. Store Unit

Use the hole in the handle F to hang the cleaner for storage.

How to use your vacuum cleaner

Power Switch



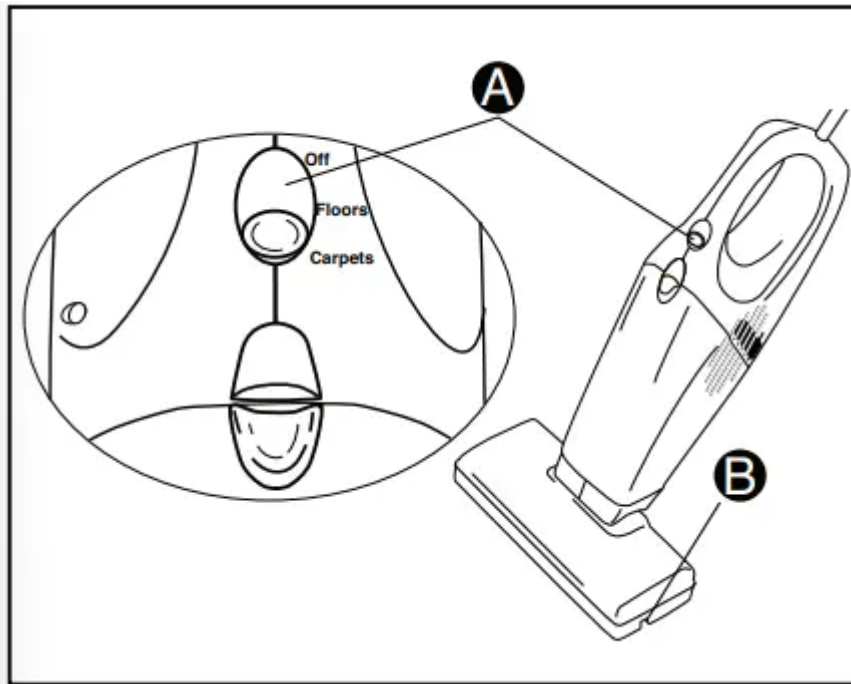
Note: On models without the brush roll in the nozzle, the power switch will have two positions, on and off.

Step 1: Slide the power switch A forward to turn on; slide backward to turn off.

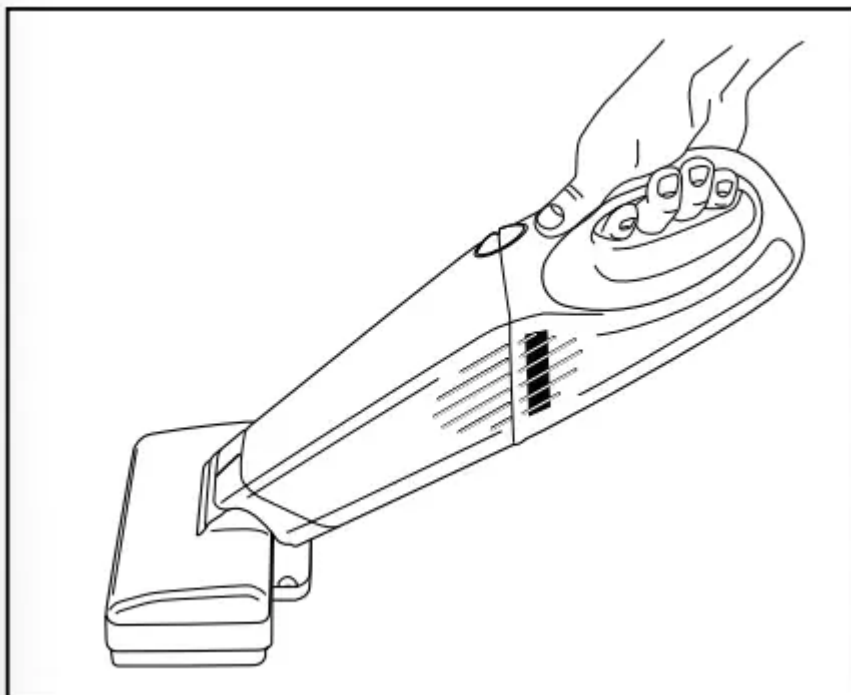
Step 2: Select type of cleaning. Carpet cleaning starts the brush roll turning. Bare floor cleaning stops the brush roll.

NOTE: Some models do not have a brush roll.

Nozzle with Edge Kleener®



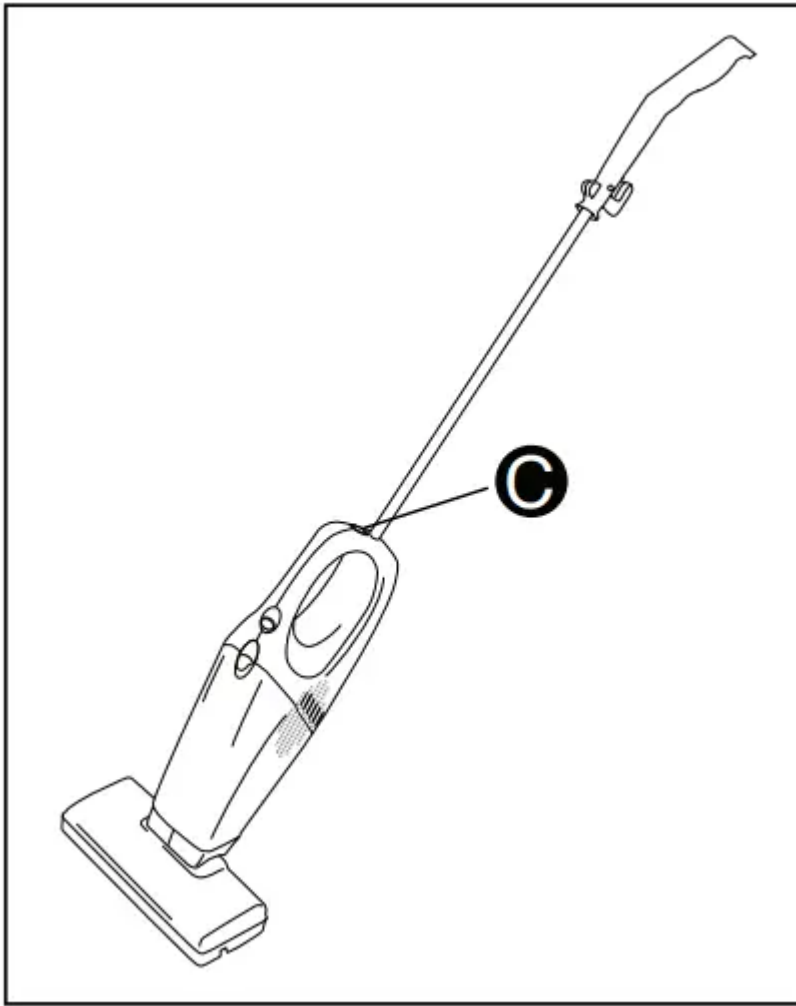
The nozzle B turns down for regular or low profile cleaning. Airflow under the nozzle automatically directs suction to the edges and corners for maximum full width cleaning.



Dual Uses

To operate as a hand vac remove the handle by releasing the lock button C.

To operate as a stick vac attach the upper handle.

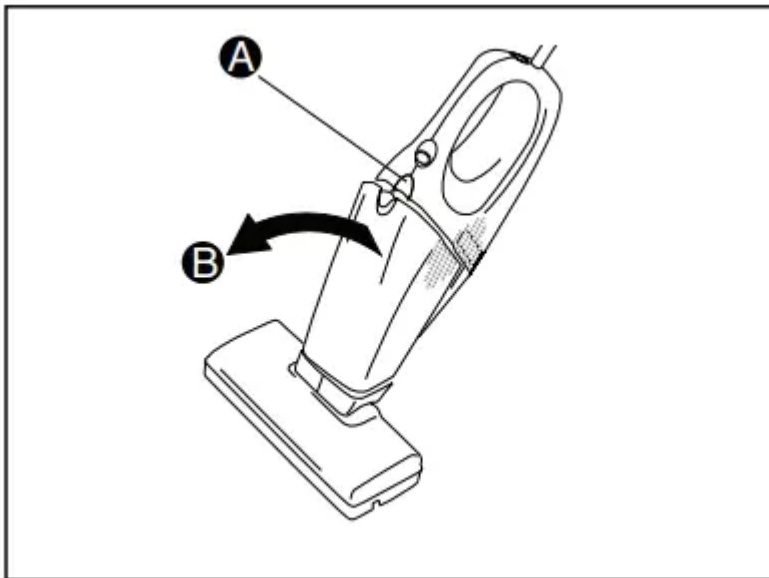


How to maintain your vacuum cleaner

The instructions given in this booklet serve as a guide to routine maintenance. Keep the cleaner operating at top efficiency. Empty the dust cup after each use.

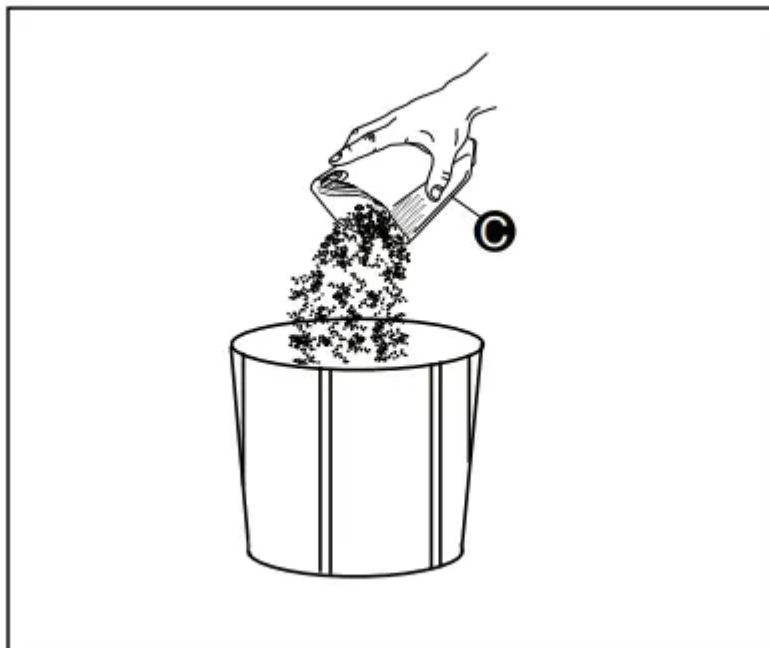
Empty Dust Cup

Note: Turn off the power switch and unplug the electrical cord to service.



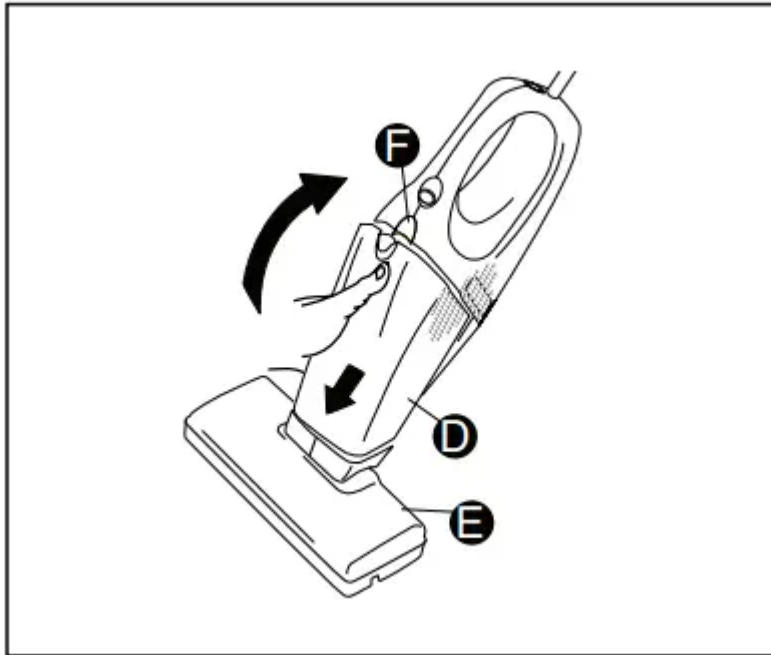
Step 1: Slide dust cup latch **A** up.

Step 2: Pull dust cup **B** from handle section and lift from the nozzle.



Step 3: Pull filter **C** out of dust cup **D**.

Step 4: Shake and brush the dust and dirt from filter **C** into waste container. (To clean filter refer to dust cup filter section)



Step 5: To replace dust cup **D**, fit dust cup down into the nozzle **E**.

Step 6: Gently squeeze the sections together until the dust cup latch **F** locks the cup in place.

Clean Dust Cup Filter

Note: Turn off the power switch and unplug the electrical cord to service.

Clean the dust cup filter as necessary.

Step 1: Remove dust cup.

Step 2: Pull dust cup filter **G** out of dust cup.

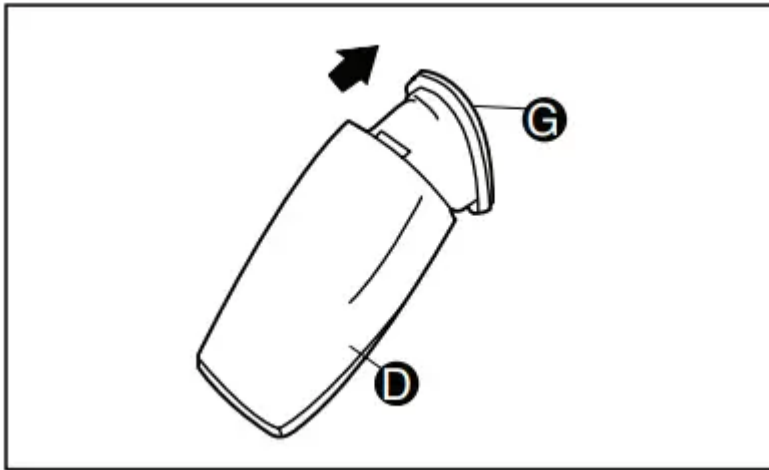
Step 3: Shake and brush the dust and dirt from filter **G**.

Step 4: If desired, launder the filter **G** by hand in warm water using a mild detergent.

Note: The dust cup filter is not dishwasher safe. Do not put in dishwasher.

Step 5: Air dry thoroughly.

Step 6: Replace filter **G** in dust cup by pushing the seal located at the top in firmly to ensure proper filter performance.





Clean Brush Roll (on some models)

Note: Turn off the power switch and unplug the electrical cord to service.

The brush roll turns to sweep and comb the carpet nap. Keep the brush roll free from hair and threads so it will continue cleaning.

How to order replacement parts

Image	Part name	Part #
	STK Filter	61544B
	Filter Cage	61676

Important Safeguards

When using an electrical appliance, basic precautions should always be followed, including the following:

READ ALL INSTRUCTIONS BEFORE USING THIS VACUUM CLEANER

WARNING

To reduce the risk of fire, electric shock, or injury:

- Do not use outdoors or on wet surfaces.



- Do not leave vacuum cleaner when plugged in. Turn off the switch and unplug the electrical cord when not in use and before servicing.
- Do not allow to be used as a toy. Close attention is necessary when used by or near children.
- Use only as described in this manual. Use only manufacturer's recommended attachments.
- Do not use with damaged cord or plug. If vacuum cleaner is not working as it should, has been dropped, damaged, left outdoors, or dropped into water, call the Eureka Customer Service HELPLINE at 1-800-282-2886.
- Do not pull or carry by cord, use cord as a handle, close a door on cord, or pull cord around sharp edges or corners. Do not run vacuum cleaner over cord. Keep cord away from heated surfaces.
- Do not use extension cords or outlets with inadequate current carrying capacity.
- Turn off all controls before unplugging.
- Do not unplug by pulling on cord. To unplug, grasp the plug, not the cord.
- Do not handle plug or vacuum cleaner with wet hands or operate without shoes.
- Do not place vacuum cleaner on furniture or stairs as the brush roll may cause damage. Use extra care when cleaning stairs. Place vacuum cleaner on floor with the handle in storage position while using attachments.
- Do not pick up anything that is burning or smoking, such as cigarettes, matches, or hot ashes.
- Do not use without dust bag or filter(s) in place.
- Use extra care when cleaning on stairs.
- Do not pick up flammable or combustible liquids such as gasoline, or use in areas where they may be present.
- Store your cleaner indoors in a cool, dry area.
- Keep your work area well lighted.
- Unplug electrical appliances before vacuuming them.
- **WARNING:** This product can expose you to chemicals known to the State of California to cause cancer, birth defects or reproductive harm. *WASH HANDS AFTER HANDLING*

SAVE THESE INSTRUCTIONS

To reduce the risk of electric shock, this appliance has a polarized plug (one blade is wider than the other). This plug will fit in a polarized outlet only one way. If the plug does not fit fully into the outlet, reverse the plug. If it still does not fit, contact a qualified electrician to install the proper outlet. Do not change the plug in any way.

The Eureka limited warranty

Midea America Corp. (“Eureka”), subject to the terms and conditions herein, warrants this vacuum cleaner to be free from defects in material and workmanship for a term of one year from the date of original purchase when used in accordance with the Eureka operating and maintenance instructions and under normal household usage. This warranty is granted only to the original purchaser and members of immediate household, and is applicable only to original purchases from Eureka authorized resellers.

What Eureka will do:

Eureka will, at its option, repair or replace a defective vacuum or vacuum part that is covered by this warranty. Repairs may be performed using new or refurbished parts that meet or exceed Eureka specifications for new parts. If Eureka elects to replace the vacuum, the replacement may be a reconditioned unit. Depending on availability of products, Eureka reserves the right to provide you with a replacement product that is the same or similar, or substitute equivalent of the original product. As a matter of warranty policy, Eureka will not refund the consumer’s purchase price.

This warranty does not cover:

- Normal wear and tear of the vacuum and vacuum parts that require replacement under normal use such as disposable dust bags, filters, drive belts, light bulbs, brush-roll, bristles, impellers and cleaning.
- Damages or malfunctions resulting from: improper or unreasonable use or maintenance, abuse, negligence, failure to follow instructions contained in any written materials that accompany the product, deterioration by reason of excess moisture, corrosive atmosphere, lightning, power surges, connections to improper voltage supply, unauthorized alteration, or other external causes such as extremes in temperature or humidity, modifications, scratches or discoloration, accidents, misuse, or acts of God. This warranty also does not cover damage resulting from repair or attempted repair by anyone other than Eureka or an authorized Eureka Warranty Station. This warranty is not applicable to any product that has been altered or on which the serial number has been defaced, modified or removed. Altering, erasing, or forging any proof-of-purchase documents voids any applicable product warranty.

Obtaining warranty service:

To obtain warranty service you must contact the Eureka Service Team, toll free, at 1-800-282-2886 or email eureka@speedymail.com, to discuss the warranty claim and procedures to be followed. All warranty claims must include submission of proof-of-purchase documentation. For additional information, you may also visit www.eureka.com.

Shipping charges:

You will be responsible for any initial shipping and insurance charges if the defective product(s) must be shipped for warranty service or warranty evaluation; however, Eureka or a Eureka Authorized Warranty Station will pay the return shipping charges if repairs are covered by the warranty. When returning parts for repair, you must include the model, type and serial number. If any product submitted for warranty service is found to be ineligible, an estimate of repair cost will be furnished and the repair performed only if requested by the owner and upon receipt of payment or acceptable arrangements for payment.

Further limitations and exclusions:

Any warranty that may be implied in connection with your purchase or use of the vacuum, including any warranty of Merchantability or any warranty of Fitness For A Particular Purpose is limited to the duration of this limited warranty. Some states do not allow limitations on how long an implied warranty lasts, so the above limitations may not apply to you.

Your relief for the breach of this warranty is limited to the relief expressly provided above. In no event shall the manufacturer be liable for any consequential or incidental damages you may incur in connection with your purchase or use of the vacuum. Some states do not allow the exclusion or limitation of incidental or consequential damages, so the above limitation or exclusion may not apply to you.

This warranty gives you specific legal rights. You may also have other rights, which may vary by state.

Warning

This content is compiled from multiple sources and is provided for reference purposes only. It may not be complete or fully applicable to all situations. If you are unable to resolve your issue, please contact the product manufacturer or an authorized service provider for official support.

