

Instruction Manual Robot Vacuum



Overview

• What's in the box



Robot



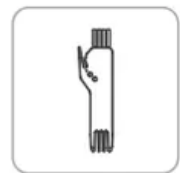
Charging dock



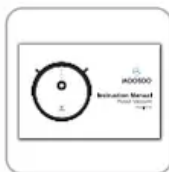
Remote Control



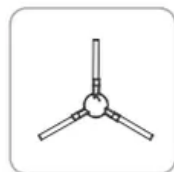
Adapter



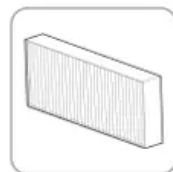
Cleaning Brush



Instruction manual



Side BrushX4



Hepa filterX2



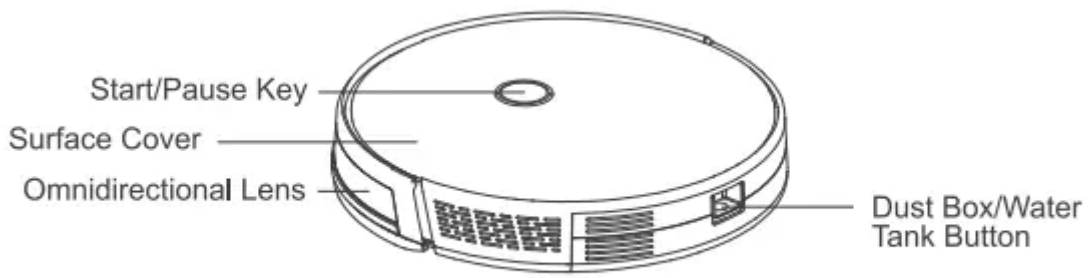
Dust Box



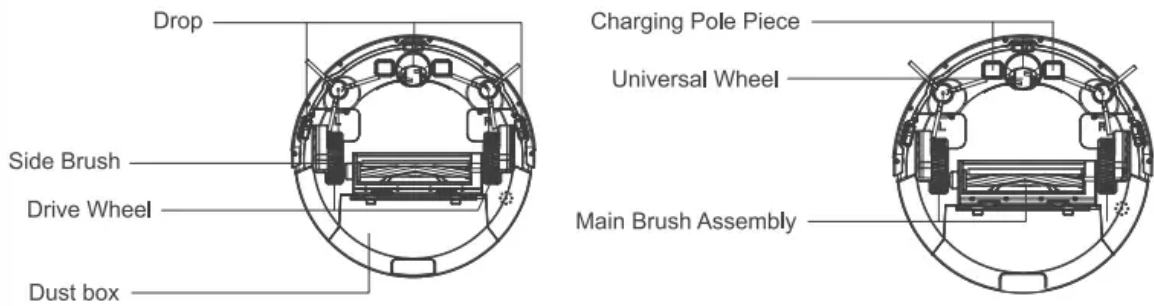
Battery X2

• Unit name

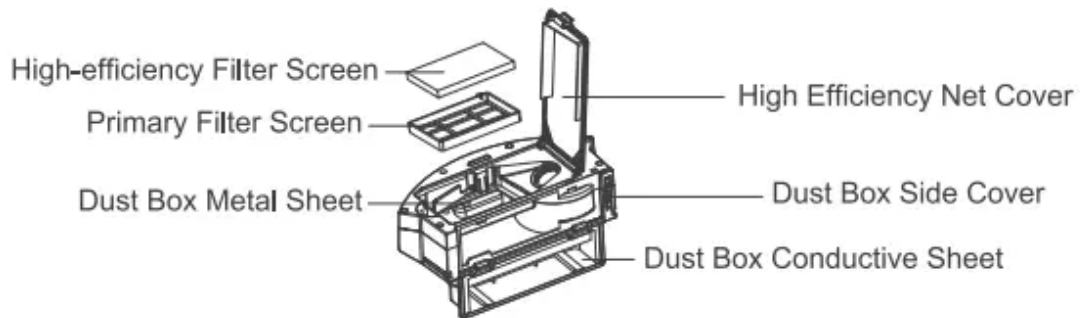
Top/side



Bottom

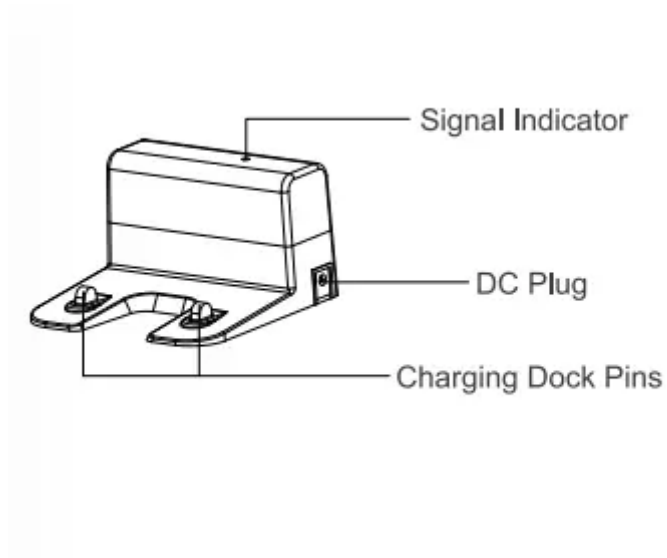


Dust box

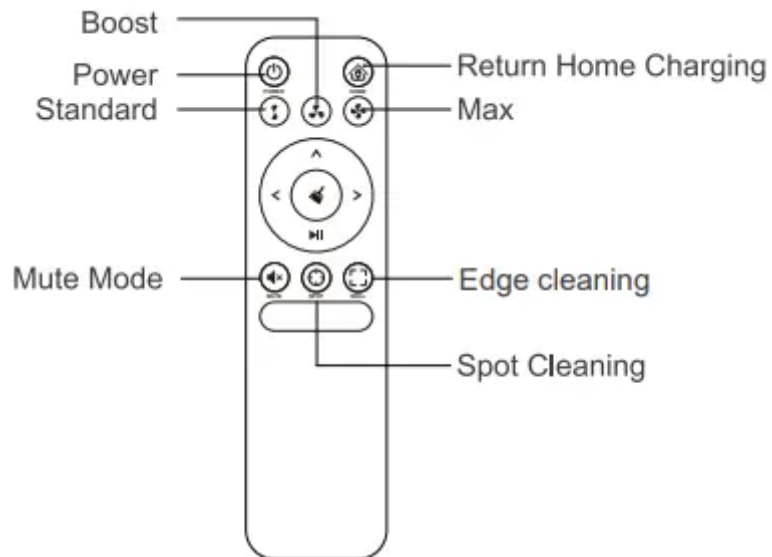


Charging dock



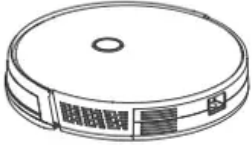




Remote control



- **Parameter**



	Product Model	RT-30
	Input	19V/0.6A
	Power	30W
	Battery Capacity	Li-ion 2500mAh
	Dust Box Capacity	0.6L
	Cleaning Time	110 min Max
	Charging Time	Around 240 min
	Remote Control Method	Infrared
	Emitting and Receiving Distance	≤5M
	Input	100~240V, 50/60Hz
	Output	19V/0.6A

How to use

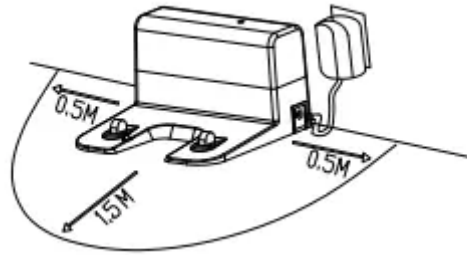
• preparation

Direction Control



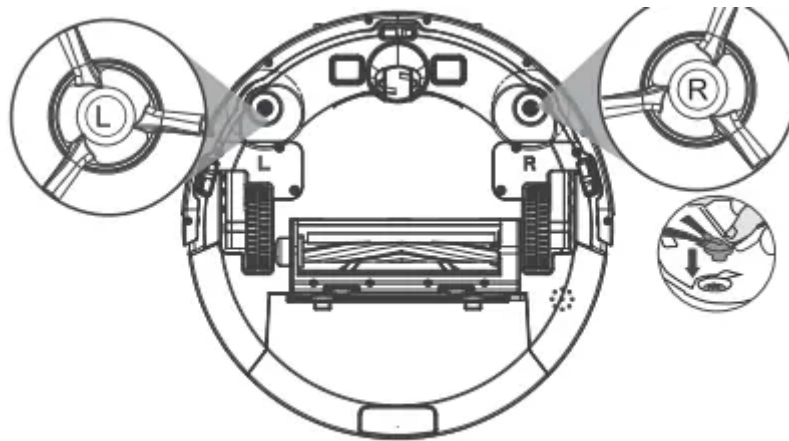
• Robot charging

1: Placing and charging: The charging dock is against the wall and placed on a flat ground. Do not place objects within the range of 0.5m left, right and 1.5m ahead

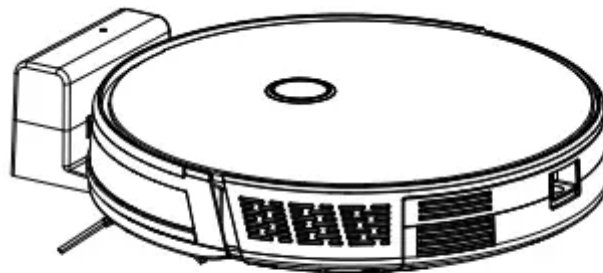


2: Plug the adapter to the corresponding outlet and connect the charging dock with it.

3: Installing side brushes according to the left and right



4: Charging: Place the Robot on the charging seat for charging(During charging, the indicator light flashes and when charging is over, the light is always on. The charging time is about 4 hours.)



During the cleaning process, the host can sense that its power is insufficient and automatically start the recharging mode to find the charging dock to charge.

You can also command the host to start the recharging mode through the HOME button



of the remote controller

Charging attention

1: The charging seat cannot be used in environments with strong effect such as direct sunlight and nearby mirrors. If there is any object with strong reflectivity, please cover the object 7 cm high from the bottom.

2: In order to ensure the normal working hours of the appliance, please fully charge before use. The charging time is about 4 hours.

3: Do not charge with the water tank units assembled so as to ensure the safety of charging and prevent wet rags from damaging the floor.


Start cleaning

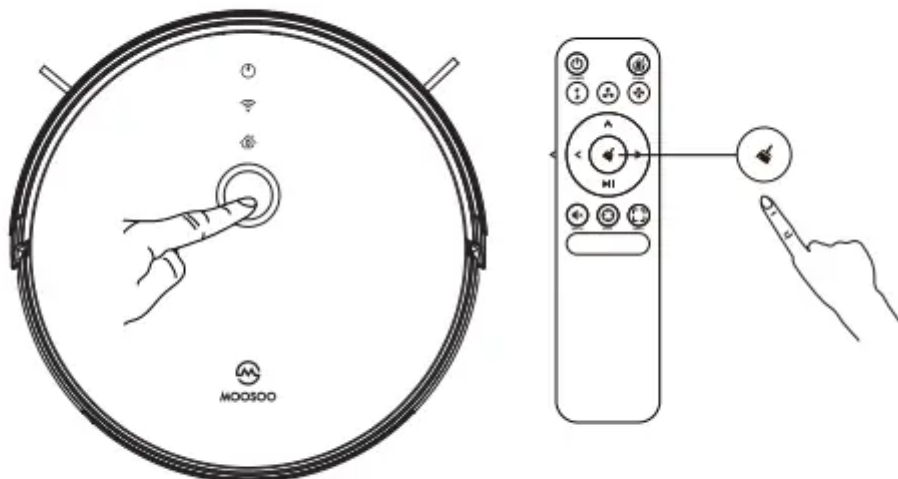
To meet different cleaning requirements, this appliance has kinds of cleaning mode to choose from. You can start various cleaning mode through a Robot, remote control or the app.

Auto cleaning

Applicable scene: it is the most commonly used cleaning method that the main engine uses a bow-shaped path to plan and clean the whole house according to the actual environment.

Setting method: In the shutdown state, long press the key on the main engine to switch it on. Short press the key to start automatic cleaning.

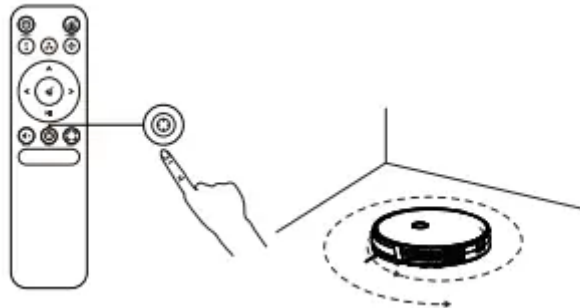
For using the remote control, press the  button to switch the mode to auto cleaning at any circumstances



Spot cleaning

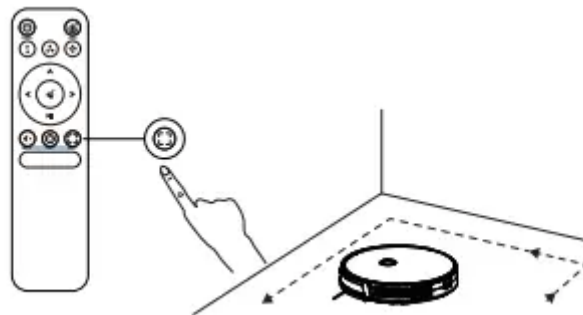
Applicable scene: It is usually used for cleaning one single room or a small area.

Tips: When it is only necessary to clean one single room, please close the door and the host will do centralized cleaning in the room if this room does not have a charging seat. The robot will return to the original point where it starts after cleaning.



Edge cleaning

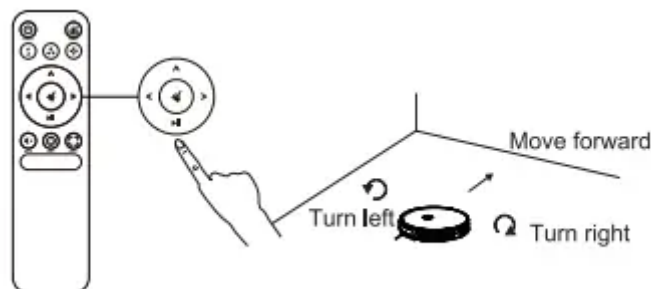
Applicable scene: For indoor corner cleaning the robot cleans along the perimeter of fixed object, and returns to the charging seat after the edge cleaning is finished.



Manual control

Applicable scene: Suitable for manual control cleaning.

Setting method: Click on position button of the remote controller to control the machine to move forward and make a turn by turning left and right.



- **Pause, wake up and shut down**

Pause: During the operation of the robot, press the start/pause key or the pause button



on the remote control to pause operation of the robot.

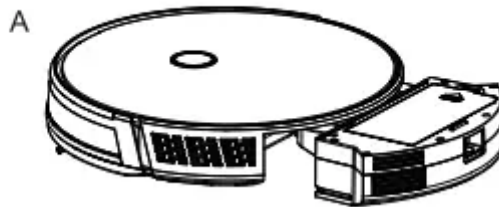
Wake up: if the robot stops working for more than ten minutes, it will automatically enter sleep mode. You can wake up the robot by press the start key first. Then press the robot key or any keys on the remote control and app to restart your work

- **Vacuuming power setting**

With three vacuuming power can be adjusted to meet different requirement. Standard suction mode can be used for cleaning wood floor and tile floor, boost mode for common household cleaning while the max mode can be used for cleaning rugs



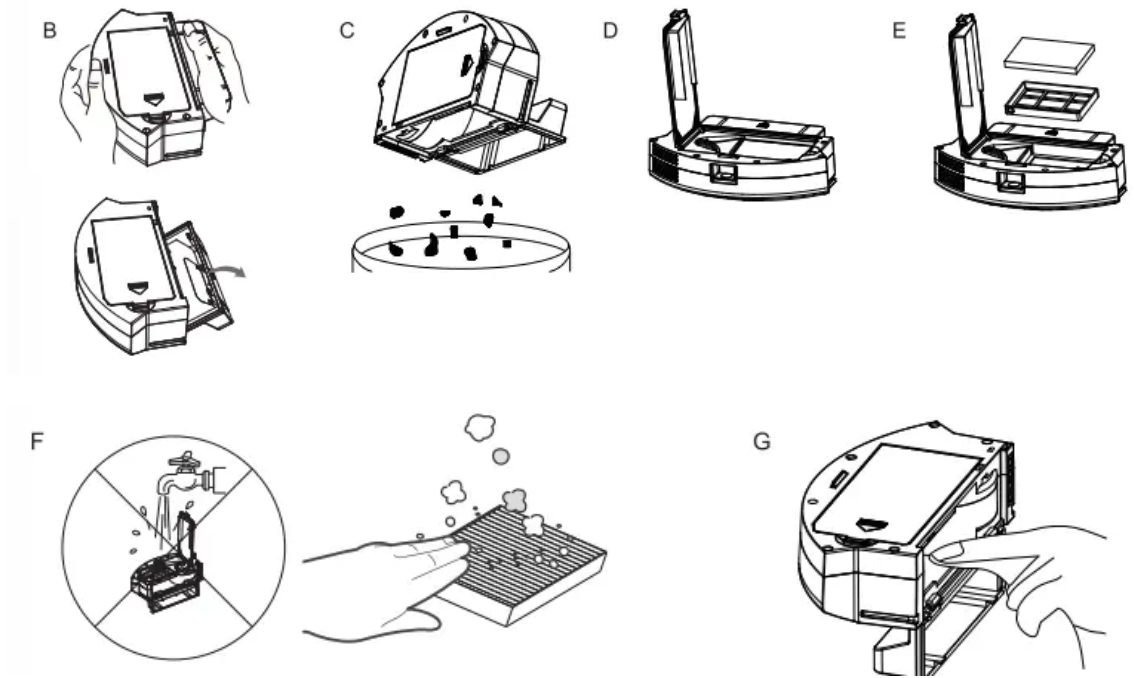
Component maintenance



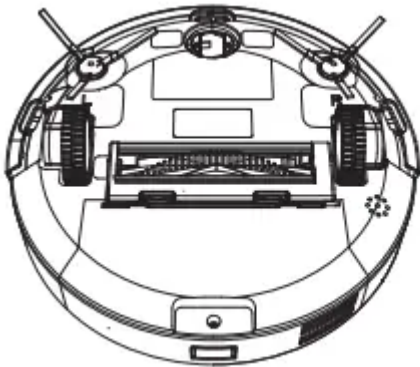
Dust box

1. Press the dust box button to take out the dust box
2. Opening the dust box side cover
3. Dumping garbage
4. Open the high-efficiency net cover
5. Open the high-efficiency screen cover and take out the high-efficiency filter screen and the primary filter screen. High-efficiency filter screen is not recommend to be water washed. Please pat it gently to dump dust
6. Rinse the primary filter screen
7. Wipe the dust box with damp cloth and do not flush or immerse the dust box
8. Dry the dust box and filter units for its service life
9. Replace the primary and the high-efficiency filter screen into the dust box

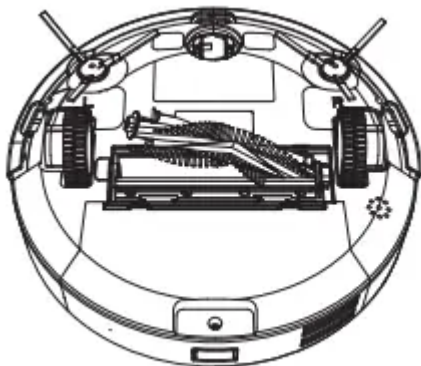
10. Close the cover of dust box and replace the dust box to the robot



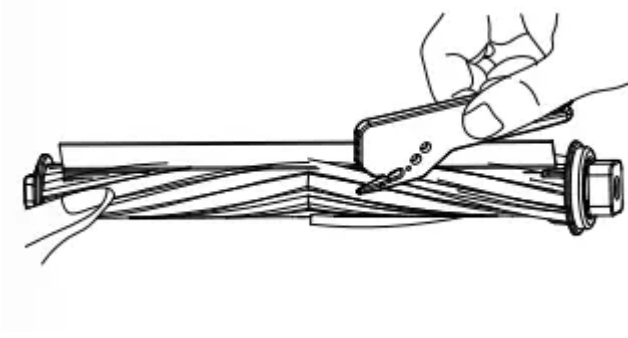
Open the main brush cover



Take out the main brush shaft



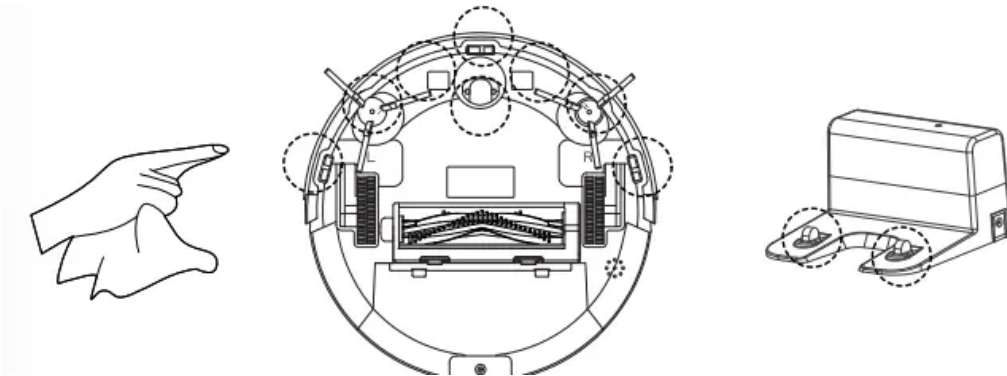
Cleaning tangled hair on the brush



Cleaning the side brush



Tip



FAQ

Q: What should I do when it can not work on the carpet?

A: We don't suggest you make it clean the carpet. It's better for you to set the barrier around the carpet on the app

Q: What if the strength of vacuuming is weak?

A: First of all, check whether the dust bin is full and the robot is full charged. If it does, you can try to switch it to the higher mode. For litter which is difficult to collector, try to clean it with Spot Cleaning Mode.

Q: What if my charger has difficulties charging the robot?

A: Please check if the electrical sheet is connected to the charging stand or put it back manually.

Q: What if the robot can not find charging the robot?

A: The charging stand should be placed against the wall with at least 1 meter clearance each side and 2 meters in front. Sometimes you can just put it back manually.

Q: What should I do if the side brush/main brush/ wheel is stuck?

A: Check whether the side brush is trapped by wire and clean up the blockage.

Q: What should I do if WIFI connection falls?

A: Check whether the wireless network is working and reconnect following WIFI Connection.

Warning

This content is compiled from multiple sources and is provided for reference purposes only. It may not be complete or fully applicable to all situations. If you are unable to resolve your issue, please contact the product manufacturer or an authorized service provider for official support.