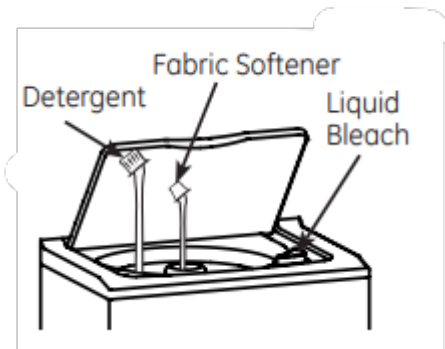


About the Washer control panel.

Quick Start Guide

STEP 1



- Add detergent
- Add fabric softener (optional)
- Add bleach (optional).

STEP 2

- Add clothes



STEP 3

- Select load size and other wash options
- Select wash cycle



STEP 4

- Close lid



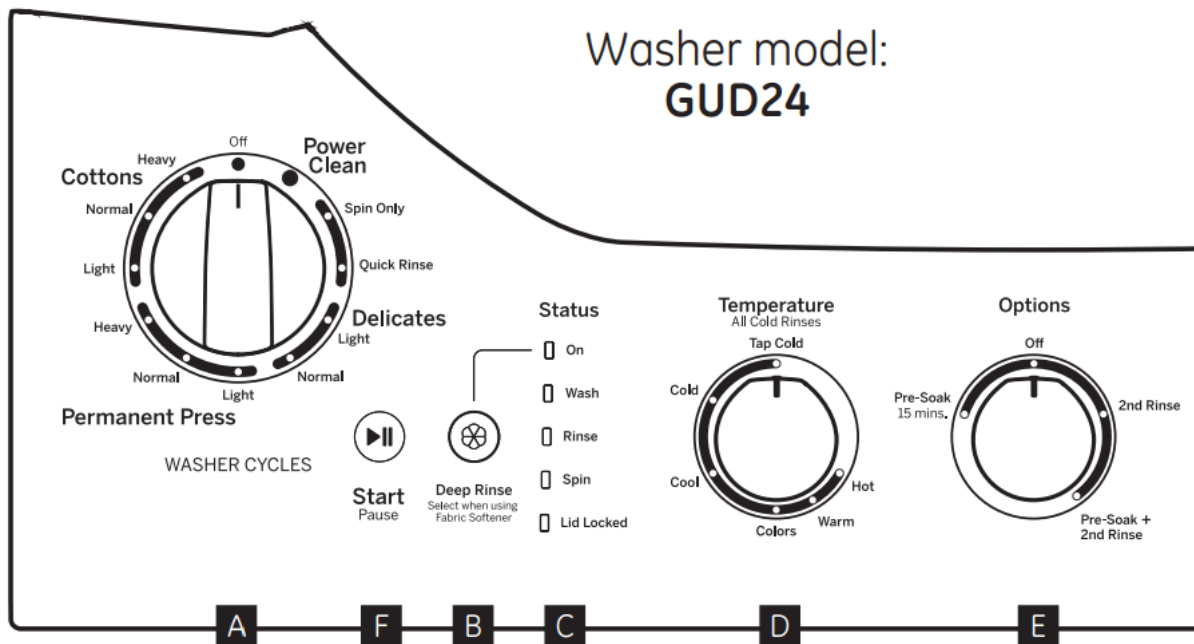
Push Start

LID LOCKED

Your washer has a security system that prevents opening the lid during the spin cycle. The lid lock prevents anyone (especially children) from reaching into the washer while the basket is spinning. The lid lock will be release within 5 seconds after the basket stop spinning.

Trying to open the lid while locked could result in injuries. If the lid does not unlock after spinning, please contact service.

NOTE: If there is a power outage the lid lock can take 3 minutes to release



A Wash Cycle Selector

The wash cycle controls the length and intensity of the washing process. The knob can be turned in either direction. Turning the Cycle Selector knob after starting a cycle will stop the washer and reset the cycle to the new selection. Press Start to begin the new cycle selection.

Below will help you match the wash cycle setting with your clothing which is ranked from longest to shortest cycle time and wash intensity. (Cycles vary by model.)

Power Clean - Uses more water than standard wash cycles. It is recommended for extra-large loads and heavily soiled clothes.

Cottons - For heavy to lightly soiled cottons, household linens, work and play clothes.

Permanent Press - For wrinkle-free and permanent press items, and knits.

Delicates - For lingerie and special-care fabrics with light to normal soil.



Quick Rinse - Rinses and spins non-soiled items where a rinse only is desired.

Spin Only - For draining the tub and spinning water out of clothes.

Off - Washer is turned off and the Start button does not function.

NOTE: When the control is turned to OFF, the Status lights are off.

NOTE: The cycle selector does not rotate during the operation of the washer.

B Deep Rinse

Set this option when adding fabric softener to the washer.

C Status lights

The **Status** lights show the stage the washer is in. When the selector knob is set to a new cycle, the Status lights will flash momentarily, showing the stages the cycle will go through.

- **On:** When the fabric softener option has been selected.
- **Was:** When the washer is in the wash portion of the cycle
- **Rinse:** When the washer is in the rinse portion of the cycle.
- **Spin:** When the washer draining and/or spinning.
- **Lid Locked:** When the washer lid is locked. This feature prevents the lid from being opened while the washer is in the spin cycle or coasting to a stop.

***NOTE:** If the **Status** lights are blinking, the operation of the washer has been paused. To resume operation press the **Start** button (the lid must be closed).

D Temperature

Select the water temperature for the wash cycle (all rinses use cold water). Always follow fabric manufacturer's care label or instructions when laundering.

"**Tap Cold*** uses incoming tap water, which can provide energy savings. For all other temperature selections, a mixture of hot and cold water is used to achieve the ideal temperature for each temperature setting.

*Please note that some detergents do not fully dissolve in very cold water. If you experience this, it is recommended you choose a setting other than **Tap Cold**.

E Load Size

Loosely load clothes no higher than the top row of holes in the washer basket.

Auto Load Sensing- This selection automatically provides the correct amount of water suited to the size and type of load placed in the unit.

F Start

Press **Start** to begin the cycle. With the lid closed pressing **Start** again will pause the cycle and **Status** lights will blink. To continue the cycle, close the lid and press **Start** again. The water fill will continue with the lid opened, except when **Auto Load Sensing** is selected as the load size. (The lid must be closed to continue filling when **Auto Load Sensing** is selected.)

If the lid is opened during the cycle, the cycle will pause and the **Status** lights will blink. To resume the cycle, close the lid and press **Start**.

If the machine is paused for more than 24 hours, the cycle will be cancelled. To stop the cycle, turn the Cycle Selector to the **Off** position.

About the Washer features.

The Fabric Softener Dispenser

The **fabric softener dispenser** automatically releases liquid fabric softener at the proper time during the cycle.

Do NOT stop the washer during the first spin. This will cause the dispenser to empty too soon.

To use, follow these steps:

1. Make sure dispenser is securely attached to agitator.
2. Use only diluted liquid fabric softener. Pour into dispenser, using amount recommended on package.

Never pour fabric softener directly on clothes. It may stain them.

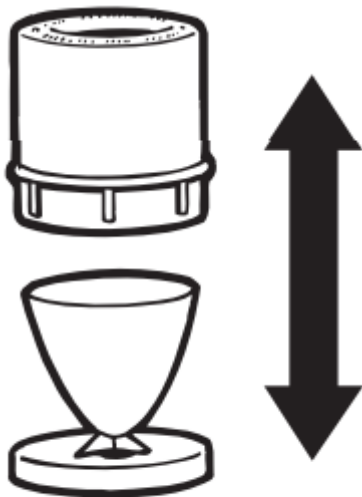
***NOTE:** Do not pour bleach into FABRIC SOFTENER dispenser.

3. Add water to dispenser until it reaches the maximum fill line.

Do NOT pour anything into the agitator if the dispenser is removed.

4. Select FABRIC SOFTENER button on control panel for proper dispersion of the fabric softener.

Cleaning the Fabric Softener Dispenser



Separate for cleaning

1. Remove the dispenser from the top of the agitator.
2. Separate the dispenser cup from the cover by grasping the top and pushing down on the inside of Dispenser cup will pop free from the cover.
3. To clean the dispenser, soak both the dispenser cup and the dispenser cover in the following solution:
 - 1 US gallon (3.8 liters) warm water
 - 1/4 cup (60 ml) heavy-duty liquid detergent
 - 1 cup (240 ml) bleach
4. If necessary, loosen buildup with a clean, soft cloth after soaking. Do not use a stiff brush; you may roughen the surface of the dispenser.
5. Rinse and reassemble dispenser. Place dispenser back on the agitator.

Liquid Bleach Funnel



The water fill dilutes liquid chlorine bleach as the washer fills for the wash cycle.

1. Check clothing care labels for special instructions.
2. Measure liquid bleach carefully, following instructions on the bottle
 - Never pour undiluted liquid chlorine bleach directly onto clothes or into the wash basket.
 - Do not pour powdered bleach into bleach funnel.
3. Before starting the washer, pour measured amount of bleach directly into bleach funnel. Avoid splashing or over-filling dispenser. If you prefer to use powdered bleach, add it into the wash basket with your detergent.
 - Do not mix chlorine bleach with ammonia or acids such as vinegar and/or rust remover. Mixing can produce a toxic gas which may cause death.

***NOTE:** Do not pour bleach into FABRIC SOFTENER dispenser

Loading and using the washer.

Always follow fabric manufacturer's care label when laundering.

Sorting Wash Loads



Sort by color (whites, lights, colors), soil level, fabric type (sturdy cottons, easy care, delicates) and whether the fabric produces lint (terry cloth, chenille) or collects lint (velveteen, corduroy).

Loading the Washer



Load dry items loosely, no higher than the top row of holes in the washer tub. When loading wet items make sure you set the load/water level high enough to allow the items to move freely. Water level should just cover the clothes. To add items after washer has started, lift the lid and submerge additional items next to the agitator.

- Do not wrap large items like sheets around the agitator.
- Do not wash fabrics containing flammable materials (waxes, cleaning fluids, etc.).
- Agitation will not start with the lid up.

Proper Use of Detergent



Add detergent and start the washer before adding clothes so that the detergent can work effectively.

Using too little or too much detergent is a common cause of laundry problems.

You can use less detergent if you have soft water, a smaller load, or a lightly soiled load.

Care and cleaning of the washer.

Wash Basket: Leave the lid open after washing to allow moisture to evaporate. If you want to clean the basket, use a clean soft cloth dampened with liquid detergent; then rinse. (Do not use

harsh or gritty cleaners.)



Fill Hoses: GE recommends changing the hoses every years.

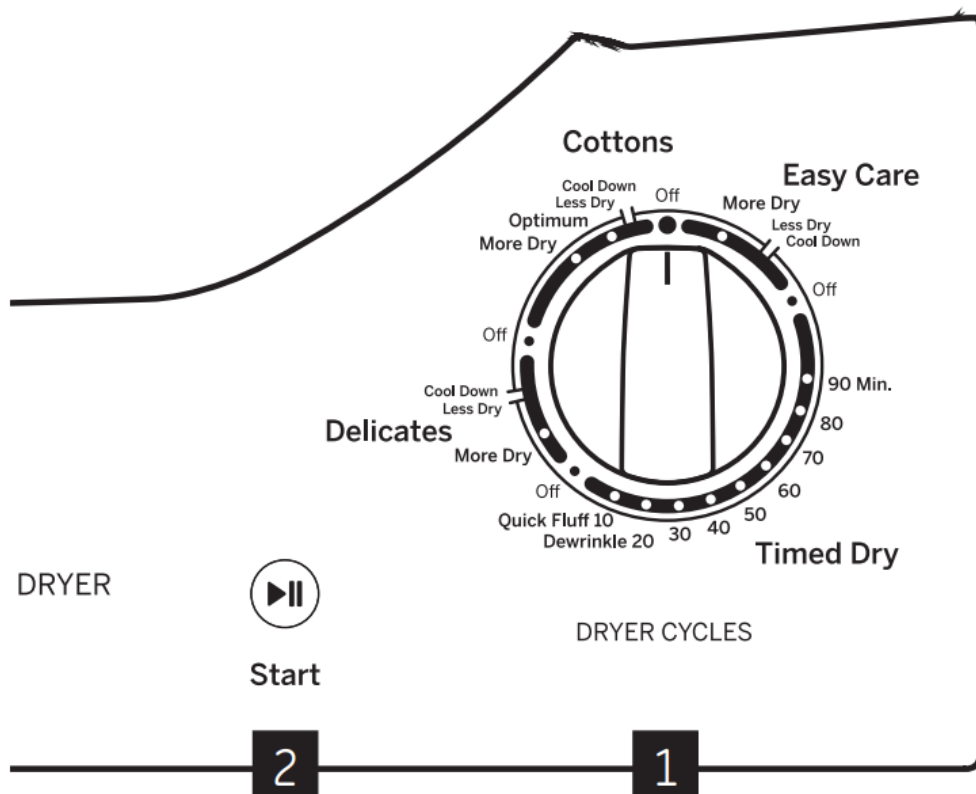
Exterior: Immediately wipe off any spills. Wipe with damp cloth. Try not to hit surface with sharp objects.

Moving and Storage: Ask the service technician to remove water from drain pump and hoses. See the Installation Instructions packed with product for information on how to reinstall the shipping rod to keep the tub stationary when moving the washer

Long Vacations: Be sure water supply is shut off at faucets. Drain all water from hoses if weather will be below freezing.

About the Dryer control panel.

Throughout this manual, features and appearance may vary from your model.



1 Fabric Care/Temperature

Cottons	For regular to heavy cottons .
Delicates	For delicates, synthetics and items labeled tumble dry low.
EASY Care	For synthetics, blends, delicates and items labeled permanent press .
Quick Fluff	For fluffing items without heat. Use the Timed Dry cycle .

Drying Cycles

Cottons	For cottons and most linens . For most loads, select Optimum Dry .
Delicates	For delicate items, special-care fabrics and knits .
Easy Care	For wrinkle-free, permanent press and delicate items, and knits .
Timed Dry	Set the Cycle Selector at the desired drying time .
Dewrinkle	For removing wrinkles from items that are clean and dry or that are very lightly damp.
Quick Fluff	For freshening or fluffing up already dry clothing, fabrics, linens and pillows . Use Fluff No Heat . Provides 10 minutes of no heat tumbling.

Automatic cycles determine fabric dryness and provide automatic sensed drying. The timer does not rotate during the cycle until the thermostats sense that the clothes are dry, then the timer rotates automatically to Off.

Select Less Dry if you want your clothes slightly damp at the end of the drying cycle.

Select More Dry if you want them to feel drier. Timed cycles run for a selected time.

Timed Cycle

Timed Dry: For manual drying. The timer rotates during the entire cycle.

2

Start-Close the dryer door. Press Start. Opening the door during operation will stop the dryer. To restart the dryer, close the door and select Start to complete the cycle.

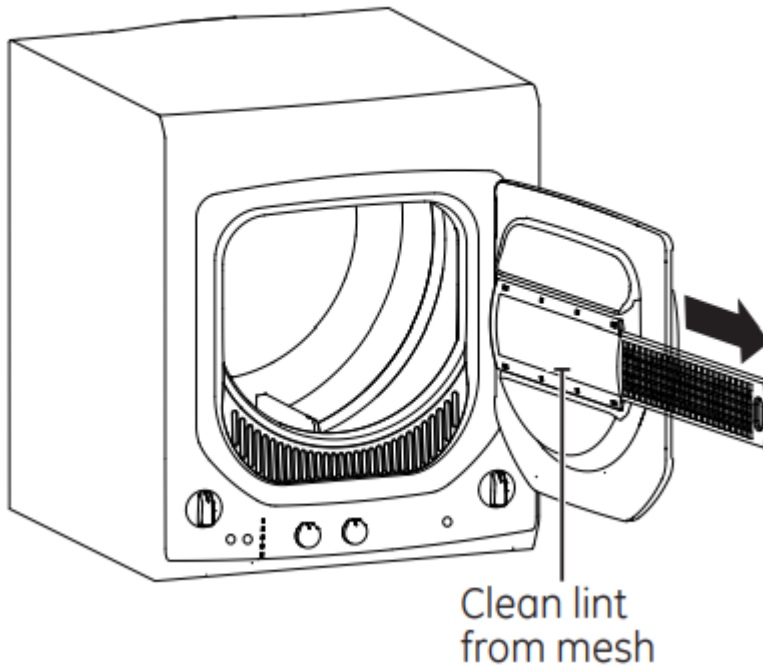
Care and Cleaning - Dryer



The Exterior: Wipe or dust any spills or washing compounds with a damp cloth. Dryer control panel and finishes may be damaged by some laundry pretreatment soil and stain remover products. Apply these products away from the dryer. The fabric may then be washed and dried normally. Damage to your dryer caused by these products is not covered by your warranty.

The Lint Filter: Clean the lint filter before each use. Slide out the grid that covers the filter. Run your fingers across the filter. A waxy buildup may form on the lint filter from using dryer-added fabric softener sheets. To remove this buildup, wash the lint screen in warm, soapy water. Dry thoroughly and replace. Do not operate the dryer without the lint filter and grid in place. Have a qualified technician vacuum the lint from the dryer once a year.

Model: **GUD24**



Dryer Interior and Duct: The interior of the appliance and exhaust duct should be cleaned once a year by qualified service personnel.

The Exhaust Duct: Inspect and clean the exhaust ducting at least once a year to prevent clogging. A partially clogged exhaust can lengthen the drying time.

Follow these steps:

1. Turn off electrical supply by disconnecting the plug from the wall socket.
2. Disconnect the duct from the dryer.
3. Vacuum the duct with the hose attachment and reconnect the duct.

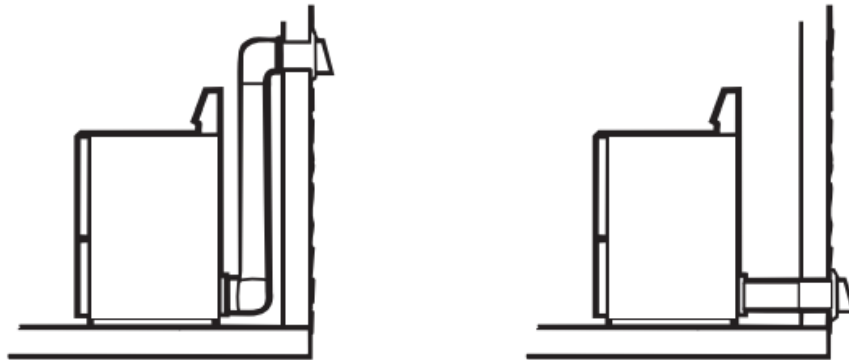
The Exhaust Hood: Check with a mirror that the inside flaps of the hood move freely when operating. Make sure that there is no wildlife (birds, insects, etc.) nesting inside the duct or hood.

Loading and using the Dryer.

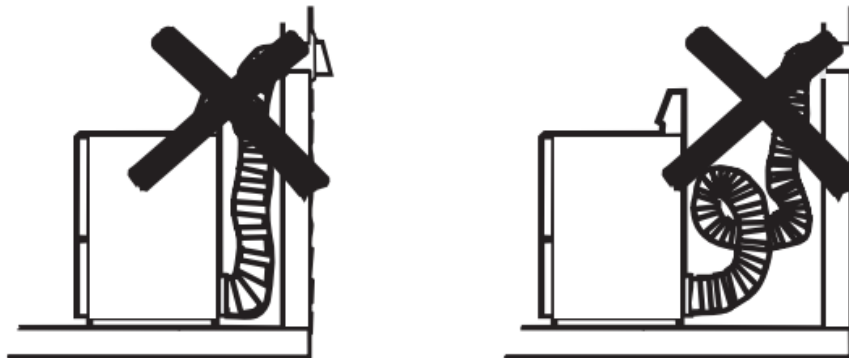
Venting the Dryer

For the best drying performance, the dryer needs to be properly vented. The dryer will use more energy and run longer if it is not vented to the specifications below. Carefully follow the details on Exhausting in the Installation Instructions.

Correct Venting



Incorrect Venting



Ductwork that runs through an unheated area or that is near air conditioning should be insulated to reduce condensation and lint build-up

Before you call for service...



Water	Possible Causes	What to do
Too many suds	Too much detergent	Measure your detergent carefully. Use less soap if you have soft water, a smaller load or a lightly soiled load.
Water leaks	Using too much detergent	Use less detergent. Use less soap if you have soft water, a smaller load or a lightly soiled load.
	Fill hoses or drain hose is improperly connected	Make sure hose connections are tight at faucets and are installed . Make sure end of drain hose is correctly secured to drain facility.
	Household drain may be clogged	Check household plumbing . You may need to call a plumber.
	Constant water pressure to the fill hoses at the water source	Tighten hoses at the faucets and turn the water off after filling . Check condition of the fill hoses; they should be replaced every 5 years.
Water temperature seems incorrect	Cooler water temperatures provide improved energy efficiency	New laundry detergents have been formulated to work at lower water temperatures without affecting wash performance.
	Water supply is turned off or improperly connected	Turn both hot and cold faucets fully on and make sure hoses are connected to correct faucets .
	Water valve screens are stopped up	Turn off the water source and remove the water valve screens from the upper back of the washer. Use a brush or toothpick to clean the screens in the machine . Reconnect the hoses and turn the water back on .
	House water heater is not set properly	Make sure house water heater is delivering water at 120°F (48°C-60°C).



Water pumped out before cycle is complete	Lid lifted or cycle was put in pause for over 24 hours	Reset cycle
Water won't drain	Drain hose is kinked or improperly connected	Straighten drain hose and make sure washer is not sitting on it. Drain outlet should be less than 8 ft (2.5 m) above floor.
Washer pauses during spin cycle	This is normal	The washer may pause during the spin cycle to remove water more efficiently.
Can hear but not see water at the end of the cycle	This is normal	The pump leaves a little water in its intake and this is clean rinse water.



Washer Operation	Possible Causes	What to do
Washer won't operate	Washer is unplugged	Make sure cord is plugged securely into a working outlet.
	Water supply is turned off	Turn both hot and cold faucets fully on.
	Controls are not set properly	Check controls.
	Lid is open-safety feature prevents agitation and spinning when lid is up	Close lid and reset cycle, to the beginning if necessary.
	Circuit breaker/fuse is tripped/blown	Check house circuit breakers/fuses . Replace fuse or reset breaker. Washer should have separate outlet.
	Electronics need to be reset	Unplug washer, wait 2 minutes, plug back in and restart.
	Start was not pressed	Press Start .
	Lid magnet missing	Call for service .
Movement inside machine when shut off	Shifting mechanism is disengaging the motor	When the machine is manually turned off, the shifting mechanism disengage the motor before completely shutting off. If lid is raised before the motor is disengaged, it will vibrate when lid is closed.



Washer Performance	Possible Causes	What to do
Clothes too wet	Incorrect spin cycle selected	Make sure the spin cycle selected matches the label on the clothes. Some fabrics will feel wetter when rinsed with water.
Colored spots	Incorrect use of fabric softener	Check fabric softener package for instructions and directions for using dispenser. Pretreat stain and rewash.
	Dye transfer	Sort whites or lightly colored items from dark colors.
Grayed or yellowed clothes	Not enough detergent	Use more detergent (especially with larger loads) and follow detergent manufacturer's directions .
	Hard water	Use a water conditioner like Calgon brand or in-tank softener.
	Water is not hot enough	Make sure water heater is delivering water at 120°F (48°C-60°C).
	Washer is overloaded	Select load size to match clothes load .
	Detergent is not dissolving	Add detergent as wash basket fills with water before clothes.
	Dye transfer	Sort clothes by color. If fabric label states wash separately, unstable dyes may be indicated .
Lint or residue on clothes	Clothes are air or line dried	If you do not dry your clothes with a clothes dryer, they may retain more lint.
	Incorrect sorting	Separate lint producers from lint collectors .

	Washing too long	Wash small loads for a shorter time than larger loads.
	Detergent not dissolving	Add detergent as wash basket fills with water, before clothes.
		Try a liquid detergent.
		Use warmer water temperature .
	Overloading	Load clothes no higher than the top row of holes in the basket.
	Incorrect use of fabric softener	Check fabric softener package for instructions and directions for using dispenser.
Pilling	Result of normal wear on poly-cotton blends and fuzzy fabrics	While this is not caused by the washer, you can reduce pilling process by washing garments inside out.
Snags, holes, tears, rips or excessive wear	Pins, snaps, hooks, sharp buttons, belt buckles, zippers and sharp objects left in pockets	Fasten snaps, hooks, buttons and zippers.
		Remove loose items like pins, objects in pockets, buttons .
		Turn knits (which snag easily) inside out.
	Undiluted chlorine bleach	Check bleach package instructions for proper use.
		Never add undiluted bleach to wash or allow clothes to have contact with undiluted bleach.
	Chemicals like hair bleach or dye, permanent wave solution	Rinse items that may have chemicals on them before washing.

Wrinkling

Improper sorting



	Avoid mixing heavy items (like work clothes) with blouses).
	Try a fabric softener.
Overloading or incorrect water level	Load your washer so clothes have enough room with water covering all of the clothes .
Incorrect wash and dry cycles	Match Cycle selection to the type of fabric you are washing (especially for easy care loads).
Repeated washing in water that is too hot	Wash in warm or cold water.



Washer Sounds	Possible Causes	What to do
"Metallic clicking"	Shifter mechanism is engaging or disengaging	The drive system will engage at the start of agitate and disengage when agitate is complete . This occurs during the wash .
Back and forth "swoosh" or light "clicking" sound during agitate	Electric motor reversing direction	This machine has a drive system that doesn't use a clutch. The sound is the motor rotating back and forth to agitate laundry.
Quick short agitation sounds at end of agitate	Clothing redistribution	At the end of agitate, the motor makes short agitates to redistribute the load.
"Click" when water stops filling	Relay switch	The relay makes a click sound when activated . The relay activates the relay and stops filling .
"Clicking" behind Control Panel during fill	Automatic Temperature Control Valve	This valve mixes in cold and hot water. The "clicking" sound is the valve turning on and off.
Water volume changes during fill	Automatic Temperature Control Valve	This valve mixes in cold and hot water. The sound is the valve turning on and off.
Motor "whining up" or "coasting down" in spin	Motor ramping up/down during spin cycle	The motor will speed up incrementally during the spin cycle. When spin is complete, it will coast until it stops .
"Humming"	Water drain pump	The drain pump will make a humming sound when it starts drawing in water after agitation stops and continue until spin is complete.
"Gurgling"	Water drain pump	When the pump starts drawing in air, It starts to gurgling. The washer should then begin spinning and the sound will stop until it is done spinning.



Dryer Problem	Possible Causes	What to do
Dryer doesn't start	Dryer is unplugged	Make sure the dryer plug is pushed completely in.
	Fuse is blown/circuit breaker is tripped	Check the house fuse/circuit breaker box and reset breaker. Note: Most electric dryers use 2 fuses.
Dryer doesn't heat	Fuse is blown/circuit breaker is tripped; the dryer may tumble but not heat	Check the house fuse/circuit breaker box and reset both breakers. Your dryer may tumble if one fuse is blown or one breaker tripped.
	Gas service is off	Make sure gas shutoff at dryer and main shutoff are on.
Dryer shakes or makes noise	Some shaking/noise is normal. Dryer may be sitting unevenly	Move dryer to an even floor space, or adjust leveling legs if necessary until even.
Greasy spots on clothes	Improper use of fabric softener	Follow directions on fabric softener package.
	Drying dirty items with clean ones	Use your dryer to dry only clean items. Dirty items can soil clean items and the dryer.
	Clothes were not completely clean	Sometimes stains which cannot be seen when they are wet appear after drying. Use proper washing procedure before drying.
Lint on clothes	Lint filter is full	Clean lint screen before each load.
	Improper sorting	Sort lint producers (like chenille) from lint collectors (like corduroy).
	Static electricity can attract lint	See suggestions in this section under STATIC.

	Overloading	Separate large loads into smaller ones .
	Paper, tissue, etc. left in pockets	Empty all pockets before laundering clothes .
Static occurs	No fabric softener was used	Try a fabric softener.
		Bounce® Fabric Conditioner Dryer Sheets have for use in all GE Dryers when used in accordance with manufacturer's instructions .
	Overdrying	Try a fabric softener.
		Adjust setting to Less Dry .
Synthetics, permanent press and blends can cause static	Try a fabric softener.	
Inconsistent drying times	Type of heat	Automatic drying times will vary according to type of heat used (electric, natural or LP gas), size of load, wetness of clothes and condition of exhaust duct.
Clothes take too long to dry	Improper sorting	Separate heavy items from lightweight items (generally, a well-sorted washer load is a well-sorted dryer load).
	Large loads of heavy fabrics (like beach towels)	Large, heavy fabrics contain more moisture and take longer to dry. Separate large, heavy fabrics into smaller loads to reduce drying time .
	Controls improperly set	Match control settings to the load you are drying.
	Lint filter is full	Clean lint filter before every load.
	Improper or obstructed ducting	Check installation instructions for proper ducting.



		<p>Make sure ducting is clean, free of kinks and unobstructed.</p> <p>Check to see if outside wall damper operates easily.</p> <p>Check the Installation Instructions to make sure the venting is correct.</p>
	Blown fuses or tripped circuit breaker	Replace fuses or reset circuit breakers . Since most homes have 2 fuses/breakers, make sure both are operating.
	Overloading/combining loads	Do not put more than one washer load in the dryer.
	Underloading	If you are drying only one or two items, add a few more items to ensure proper tumbling .
Clothes are wrinkled	Overdrying	Select a shorter drying time .
		Remove items while they still hold a slight amount of moisture. Select a Less Dry setting.
	Letting items sit in dryer after cycle ends	Remove items when cycle ends and fold or hang immediately.
	Overloading	Separate large loads into smaller ones .
Clothes shrink	Some fabrics will naturally shrink when washed. Others can be safely washed, but will shrink in the dryer	To avoid shrinkage, follow garment care labels and use the appropriate dryer setting.
		Some items may be pressed back into shape after washing.
		If you are concerned about shrinkage in a particular item, machine wash or tumble dry it.

Warning



This content is compiled from multiple sources and is provided for reference purposes only. It may not be complete or fully applicable to all situations. If you are unable to resolve your issue, please contact the product manufacturer or an authorized service provider for official support.

Document generated by [ManualsFile](#)

