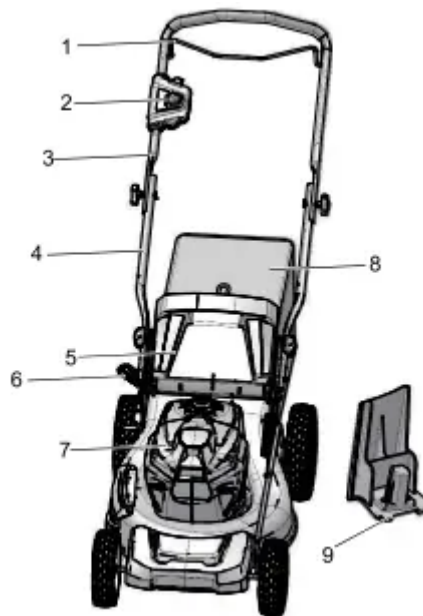


DESCRIPTION

PURPOSE

This machine is used for domestic lawn mowing. The cutting blade must be approximately parallel to the ground. All four wheels must touch the ground while you mow.

OVERVIEW



1. Bail switch
2. Start button
3. Upper handle
4. Lower handle
5. Rear discharge door
6. Height adjustment lever
7. Battery door
8. Grass catcher
9. Mulch plug

PACKING LIST

1. Lawn mower
2. Grass catcher
3. Side discharge chute

4. Manual

READ ALL INSTRUCTIONS

CHILDREN AND BYSTANDERS

Tragic accident can occur if the operator is not alert to the presence of children or bystanders.

- Keep the area of operation clear of all persons, particularly small children, and pets.
- Use extreme care when approaching blind corners, doorways, and shrubs, trees, or other objects that may obscure your vision of a child or bystander. Keep children, bystanders, helpers, and pets at least 100 feet(30m) from the mower while it is operating. Stop the machine if anyone enters the area.
- Never allow children under 14 years old to operate a power mower. Operators 14 years old and over should fully read and understand the operator's manual and safe rules. Only responsible individuals who are familiar with these rules of safe operation should be allowed to use this machine

GENERAL OPERATION

- Read this operator's manual carefully in its entirety before assembling or operating this machine. Read, understand, and follow all instructions on the machine and in the manuals before operation. Familiarize yourself with the controls and proper use of this machine before operation. Save this manual for future and regular reference.
- Do not use the lawn mower for any job except that for which it is intended. Your lawn mower has been designed to perform only one job: cutting grass.
- Never attempt to make a wheel height adjustment while the motor is running.
- Don't force the lawn mower; it will do the job better and more safely at the rate for which it was designed.
- Don't overreach, keep proper footing and balance at all times. Many injuries occur as a result of the mower being pulled over the foot during a fall caused by slipping or tripping. A slip and fall can cause serious personal injury.
If you feel you are losing your footing, release the control handle immediately and the blade will stop rotating within three seconds.
- Thoroughly inspect the area where the mower is to be used and remove all stones, sticks, wires, dog bones, and other foreign objects.
- Prevent unintentional starting. Ensure the switch is in the off position before connecting it to the battery pack. picking up or carrying the mower. Carrying the mower with your finger on the switch or energizing a mower that has the switch on invites accidents

- Never pull the mower back toward you while you are walking. If you must back the mower away from a wall or obstruction, first look down and behind you to avoid tripping, and then follow these steps:
 - Step back from the mower in order to fully extend your arms.
 - Be sure that you are well balanced
 - Pull the mower back slowly.
- Remove the battery pack from the mower before making any adjustments, changing accessories, or storing the appliance. Such preventive safety measures reduce the risk of starting the mower accidentally.
- Before and while moving backward with the mower, look behind and down for small children and other people.
- Do not operate the mower while under the influence of alcohol or drugs. Stay alert and watch what you are doing at all times. Use common sense and do not operate the lawn mower when you are tired
- Always wear safety glasses or safety goggles during operation and while performing an adjustment or repair to protect your eyes. Thrown objects that ricochet can cause serious injury to the eyes. Always use a face or dust mask if the operation is dusty.
- Keep clear of the discharge opening at all times. Do not put hands or feet near rotating parts or under the cutting deck. Contact with the blade can amputate hands and feet.
- Plan your mowing pattern to avoid the discharge of material toward roads, sidewalks, bystanders, and the like. Also, avoid discharging material against walls or obstructions, which may cause discharged material to ricochet back toward the operator.
- To help avoid the blade or an injury from thrown objects, stay in the operator zone behind the handles.
- A missing or damaged discharge cover can cause blade contact or injuries from thrown objects.
- Objects struck by the lawn mower blade can cause severe injuries to persons. The lawn should always be carefully examined and cleared of all objects prior to each mowing
- Stop the blade when crossing gravel drives, walks or roads.
- Follow all charging instructions and do not charge the battery pack or mower outside of the temperature range specified in the instructions. Charging improperly or at temperatures outside of the specified range may damage the battery and increase the risk of fire
- If lawn mower strikes a foreign object, follow these steps:
 - Release the bail switch to disengage the motor.

- Remove the battery.
 - Inspect for damage.
 - Repair any damaged parts before restarting and operating the lawn mower.
- Have servicing performed by a qualified repair person using only identical replacement parts. This will ensure that the safety of the product is maintained
 - Dress properly; do not wear loose clothing or jewelry that can be caught in moving parts. The use of safety gloves and proper footwear is recommended when working outdoors

Wear sturdy, rough-soled work shoes and close-fitting slacks and shirts. Shirts and pants that cover the arms and legs and steel-toed shoes are recommended. Never operate this machine in bare feet, sandals, slippery or lightweight (e.g. canvas) shoes

- Do not modify or attempt to repair the mower or the battery pack (as applicable) except as indicated in the instructions for use and care.
- Wear protective hair covering to contain long hair.
- Avoid dangerous environments: do not use the lawn mower in damp/wet locations or if it is raining
- Store idle lawnmowers indoors. When not in use, appliances should be stored indoors in a dry, and high or locked-up place — out of reach of children. Always remove the battery from the mower before storing it.
- Mow only in daylight or good artificial light. Walk, never run while operating.
- If the mower should start to vibrate abnormally, immediately stop the motor, remove the battery and check for the cause. Vibration is generally a warning that the mower is not functioning properly.
- Check the bag frequently for deterioration and wear, and replace worn bags. Check that replacement bags comply with the original manufacturer's recommendations or specifications.
- Before cleaning the mower, unclogging or removing the grass bag, mulching insert, or side discharge chute, turn the motor off and wait until the blade comes to a complete stop, then remove the battery pack. The cutting blade continues to rotate for a few seconds after the motor is shut off. Never perform these functions until you are sure the blade has stopped rotating.
- Keep cutting edges clean and sharp to ensure the best performance.
- Periodically inspect safety devices and cords for damage.
If damaged do not operate the unit until it has been repaired by an authorized service professional

- Never operate the mower without the proper discharge cover, grass bag, and mulching insert. side discharge chute, or other safety devices in place and working. Never operate the mower with damaged safety devices. Failure to do so can result in personal injury.
- Use only approved batteries and chargers. Non-approved batteries and chargers may cause damage to the mower or injure the operator
- Do not dispose of the battery in a fire. The cells could catch fire or explode. Check with local codes and waste management for proper disposal instructions.
- When the battery pack is not in use. keep it away from other metal objects, like paper clips, coins, keys, nails, screws, or other small metal objects that can make a connection from one terminal to another. Shorting the battery terminals together may cause burns or a fire
- Do not open or destroy the battery. Electrolytes contained within the battery are corrosive and may cause damage to the eyes or skin if released. It may be toxic if swallowed.
- Under abusive conditions, liquid may be ejected from the battery; avoid contact. If contact accidentally occurs, flush with water. If liquid contacts the eyes, additionally seek medical help. Liquid ejected from the battery may cause irritation or burns.
- Do not expose a battery pack or appliance to fire or excessive temperature. Exposure to fire or temperature above 30°C may cause an explosion
- Exercise care in handling batteries to avoid shorting the battery with conducting materials such as rings, bracelets, keys, etc. The battery or conductor may overheat and cause burns if contact with said materials is made.
- Do not use a battery pack or appliance that is damaged or modified. Damaged or modified batteries may exhibit unpredictable behavior resulting in fire, explosion, or risk of injury.

SLOPE OPERATION

Slopes are a major factor related to slip-and-fall accidents, which can result in severe injury. Operation on slopes requires extra caution. If you feel uneasy on a slope, do not mow it.

Do :

- Mow across the face of slopes; never mow up and down.
Exercise extreme caution when changing direction on slopes.
- Watch for holes, ruts, rocks, hidden objects, or bumps that can cause you to slip or trip. Tall grass can hide obstacles.

Do not:

- Mow excessively steep slopes.
- Mow near drop-offs, ditches or embankments; you could lose your footing or balance.
- Mow slopes greater than 15 degrees.
- Mow on wet grass. Unstable footing could cause slipping

SERVICE/MAINTENANCE

- Check the blade and the motor (machine) mounting bolts at frequent intervals for proper tightness.
- Replace the blade if it is bent or cracked. An unbalanced blade causes a vibration that could damage the motor drive unit or cause personal injury
- Keep all nuts, bolts, and screws tight in order to ensure the equipment is in safe working condition.
- Do not wash with a hose; avoid getting water in the motor and electrical connections.
- Never remove or tamper with safety devices. Check their proper operation regularly. Never do anything to interfere with the intended function of a safety device or to reduce the protection provided by a safety device
- Keep the mower free of grass, leaves, or other debris build-ups. Allow the mower to cool before storing
- Never make any adjustments or repairs to the motor running
- Always remove the battery pack from the mowers before adjusting, cleaning, or repairing.
- Check grass catcher components and the discharge guard frequently and replace them with the manufacturer's recommended parts, when necessary.
- Sharpen a dull blade equally at each end to maintain balance.
- Keep guards in place and in working order. The mower blades are sharp, and can cut. Wrap the blades or wear gloves, and use extra caution when servicing.
- Clean the blade thoroughly and check its balance by supporting it horizontally on a thin nail through its center hole. The nail should also be in a horizontal position. If either end of the blade rotates downward, remove some metal from the heavy or lower end until the blade is balanced. It is balanced when neither end drops.
- Use identical replacement blades only.
- Maintain lawn mower with care. Keep cutting edges sharp and clean for the best and safest performance. Follow instructions for lubricating and changing accessories. Inspect lawn mower cord periodically and if damaged, have it repaired by an authorized service facility







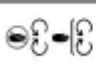


- If situations occur that are not covered in this manual, use care, and good judgment or contact Customer Service for assistance
- Never operate the mower without proper guards, plates, or other safety protective devices in place




The recommended ambient temperature range :

Item	Temperature
Mower storage temperature range	32°F (0°C) - 113°F (45°C)
Mower operation temperature range	32°F (0°C) - 113°F (45°C)
Battery charging temperature range	39°F (4°C) - 104°F (40°C)
Charger operation temperature range	39°F (4°C) - 104°F (40°C)
Battery storage temperature range	32°F (0°C) - 113°F (45°C)
Battery discharging temperature range	32°F (0°C) - 113°F (45°C)

SYMBOLS ON THE PRODUCT




Some of the following symbols may be used on this tool. Please study them and learn their meaning. Proper interpretation of these symbols will allow you to operate the tool better and safer.

Symbol	Name	Explanation
V	Volt	Voltage
A	Amperes	Current
Hz	Hertz	Frequency (cycles per second)
W	Watt	Power
min	Minutes	Time
/min	Per Minute	Revolutions, strokes, surface speed, orbits etc., per minute
	Alternating Current	Type of current
	Direct Current	Type or a characteristic of current
n_0	No Load Speed	Rotational speed, at no load
	Safety Alert	Precautions that involve your safety.
	Eye Protection	Always wear eye protection with side shields marked to comply with ANSI Z87.1 when operating this equipment.
	WARNING --- Wet Conditions	Do not expose the product to rain or moist conditions.
	Read Operator's Manual	To reduce the risk of injury, user must read and understand operator's manual before using this product.
	Maintain Safety Devices	Do not open or remove safety devices while the tool is running.
	Looking Behind While Backing	Look down and behind first to avoid tripping when pulling back.
	DANGER --- Keep Hands and Feet Away	To reduce the risk of injury, keep hands and feet away from rotating parts. Do not operate unless discharge cover or grass bag is in its proper place. If damaged, replace immediately.

Symbol	Name	Explanation
	DANGER --- Keep Bystanders Away	All visitors should be kept at a distance from work area.
	DANGER --- Thrown Debris	Remove objects that can be thrown by the blade in any direction. Wear safety glasses.
	DANGER --- Steep Slope Hazard	Use extra caution on slopes. do not mow slopes greater than 15 degrees.

RISK LEVELS

The following signal words and meanings are intended to explain the levels of risk associated with this product.

SYM-BOL	SIGNAL	MEANING
	DANGER	Indicates an imminently hazardous situation, which, if not avoided, will result in death or serious injury.
	WARNING	Indicates a potentially hazardous situation, which, if not avoided, could result in death or serious injury.
	CAUTION	Indicates a potentially hazardous situation, which, if not avoided, may result in minor or moderate injury.
	CAUTION	(Without Safety Alert Symbol) Indicates a situation that may result in property damage.

ENVIRONMENTALLY SAFE BATTERY DISPOSAL



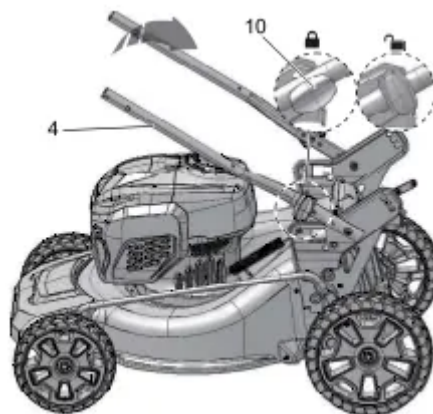
The toxic and corrosive used in this machine: Lithium-Ion, a toxic material.

INSTALLATION

UNPACK THE MACHINE

1. Open the package.
2. Read the documentation provided in the box.
3. Remove all the unassembled parts from the box.
4. Remove the machine from the box.
5. Discard the box and packing material in compliance with local regulations.

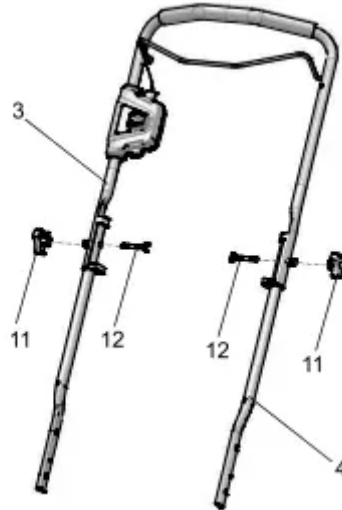
UNFOLD THE LOWER HANDLE



1. Pull and turn the handle knobs (10) 90°.

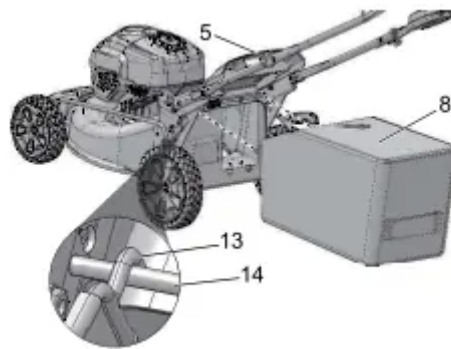
2. Unfold the lower handle (4).
3. Line up the handle knobs in one of the three positions on the brackets.
4. Turn the handle knobs 90° until they engage the hole in the brackets.

INSTALL THE UPPER HANDLE



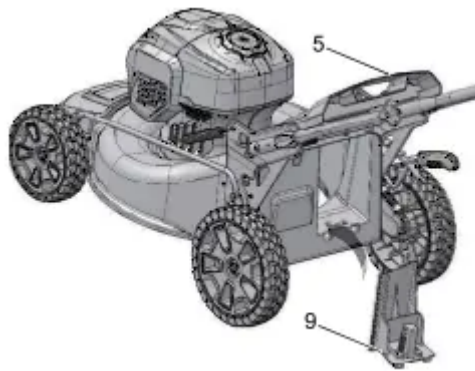
1. Align the holes in the upper handle (3) and the lower handle (4).
2. Put the bolts (12) through the holes.
3. Tighten the knobs (11) onto the bolts (12).
4. Do the same operation on the other side.

INSTALL THE GRASS CATCHER



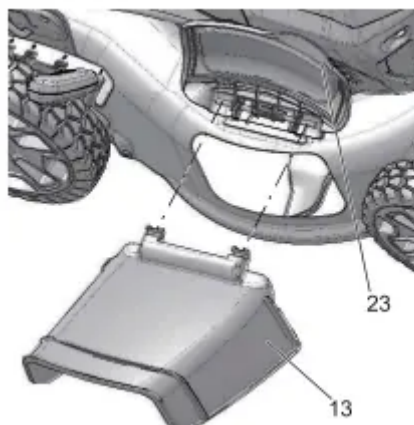
1. Remove the mulch plug
2. Open the rear discharge door (5) and hold it
3. Hold the grass catcher (8) by its handle and engage the hooks (13) on the door rod (14)
4. Close the rear discharge door.

INSTALL THE MULCH PLUG



1. Remove the grass catcher.
2. Open the rear discharge door (5) and hold it.
3. Hold the mulch plug (9) by its handle and fit it in the discharge chute.
4. Close the rear discharge door (5).

INSTALL THE SIDE DISCHARGE CHUTE



1. Open the side discharge door (23) and hold it.
2. Line up the recesses of the side discharge chute (13) below the pivot
3. Close the side discharge door.

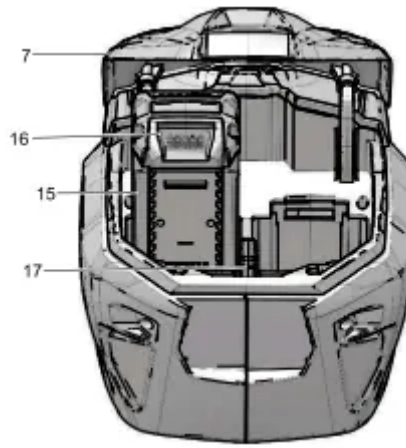
SET THE CUTTING HEIGHT

The machine can be set to different cutting heights



1. Pull the height adjustment lever rearward to increase the cutting height
2. Pull the height adjustment lever forward to decrease the cutting height.

INSTALL THE BATTERY PACK



1. Open the battery door (7).
2. Align the lift ribs on the battery pack (16) with the grooves in the battery compartment.
3. Push the battery pack (15) into the battery compartment until the battery pack locks into place
4. When you hear a click, the battery pack is installed
5. Close the battery door.

REMOVE THE BATTERY PACK

1. Open the battery door (7).
2. Remove the safety key (17).
3. Push and hold the battery release button (16)
4. Remove the battery pack (15) from the machine

OPERATION

START THE MACHINE



1. Put in the safety key

2. Push and hold the start button (2).
3. While you hold the start button, pull the bail switch (1) in the direction of the handlebar.
4. Once the machine has started you can release the start button

STOP THE MACHINE

1. Release the bail switch to stop the machine.

EMPTY THE GRASS CATCHER

1. Stop the machine.
2. Remove the safety key
3. Remove the battery pack.
4. Open the rear discharge door and hold it
5. Hold the grass catcher by its handle and unhook it from the door rod
6. Close the rear discharge door.
7. Empty the grass catcher.

OPERATE ON SLOPES

- Do not go up and down on a slope. Mow across the face of the slope. Be careful when you change the direction on a slope.
- Monitor the holes, ruts, rocks, and other hidden objects that can cause you to fall. Remove all obstacles such as rocks and tree limbs.
- Make sure that your footing is stable. If you are out of balance, release the bail switch immediately.
- Do not mow near drop-offs, ditches, or embankments.

OPERATION TIPS

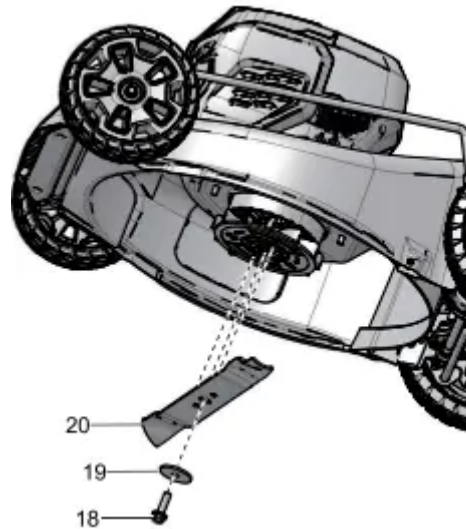
- Do not try to override the operation of the start button or bail switch.
- Do not tilt the machine when you start it.
- Do not put hands or feet near or below the turning parts.
- Keep the discharge chute clean.
- Do not cut wet grass.
- Higher blade height is necessary for new or thick grass.
- Clean the bottom of the mower deck after each use. Remove grass clippings, leaves, dirt, and other debris.

MAINTENANCE

GENERAL MAINTENANCE

- Before each use, examine the machine for damaged, missing, or loose parts such as screws, nuts, bolts, and caps
- Tighten correctly all the fasteners and caps.
- Clean the machine with a dry cloth. Do not use water.

REPLACE THE BLADE



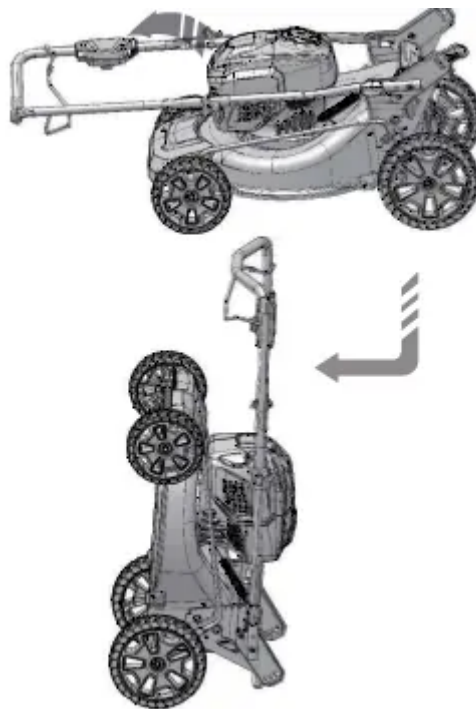
1. Stop the machine.
2. Make sure that the blade fully stops.
3. Remove the safety key
4. Remove the battery pack.
5. Turn the machine to its side
6. Use a piece of wood to prevent the movement of the blade.
7. Remove the mounting bolt (18) and spacer (19) with a wrench or socket. Remove the blade (20).
8. Remove the blade(20)
9. Install the new blade. Make sure the arrows on the fan engage the holes on the blade.
10. Put in the spacer and tighten the mounting bolt.

STORE THE MACHINE

- Remove the safety key
- Remove the battery pack(s)

- Clean the machine before storage
- Make sure the motor is not hot when you store the machine.
- Make sure that the machine does not have loose or damaged parts. If it is necessary, follow these instructions
 - Replace the damaged parts.
 - Tighten the bolts.
 - Speak to a person at an approved service center.
- Store the machine in a dry area
- Make sure that children cannot come near the machine.

STAND THE MACHINE ON END



1. Remove the grass catcher.
2. Pull and turn the handle knobs 90°.
3. Fold down the handle.
4. Turn the handle knobs 90° to lock the handle into position.
5. Stand the machine on the end and make sure that the brackets, touch the floor.

Storage Switch

The machine has a storage switch that prevents its startup in the storage position.

It is necessary to remove the safety key and the battery pack to prevent accidental startup or unapproved use. The storage switch does not replace this function



TROUBLESHOOTING



Problem	Possible cause	Solution
The machine does not start.	The battery capacity is low	Charge the battery pack.
	The bail switch is defective.	Replace the bail switch.
	The safety key is not put in	Put in the safety key.
The machine cuts grass unevenly.	The lawn is rough.	Examine the mowing area.
	The blade height is not set correctly.	Adjust the blade/ cutting height to a higher position.
The machine does not mulch correctly.	Wet grass clippings attach to the deck.	Wait until the grass dries before mowing
	The mulch plug is missing.	Install the mulch plug.
The machine is hard to push.	The grass is too tall, or the blade height is too low.	Increase the blade/ cutting height.
	The grass catcher and the blade drag in thick grass	Empty the grass clippings from the grass catcher
There is a high vibration in the machine	The blade is unbalanced and worn.	Replace the blade
	The motor shaft is bent.	<ol style="list-style-type: none"> 1. Stop the motor. 2. Remove the safety key and battery pack 3. Inspect for damage. 4. Repair the machine before you start it again.
The machine stops during mowing.	The blade height is too low.	Increase the blade / cutting height
	The battery pack is out of power.	Charge the battery pack.
	The grass clippings attach to the deck or the blade.	Remove the battery pack and check the deck.
	The operation temperature of the machine is too high	Cool the machine.

TECHNICAL DATA

Voltage	40 V
No load speed	2800 RPM
Deck size	20"
Height adjustments	1 3/8 - 3 3/4" (3,5 - 9,5 cm)
Functions	3-in-1 Mulch & Rear Bag & Side Discharge
Weight (without battery pack)	56 lbs (25.5 kg)
Battery model	BAF724/BAF725 and other BAF series
Charger model	29482/CAF806 and other CAF series

Warning

This content is compiled from multiple sources and is provided for reference purposes only. It may not be complete or fully applicable to all situations. If you are unable to resolve your issue, please contact the product manufacturer or an authorized service provider for official support.