

## GENERAL INFORMATION

A. The Mr. Heater MH15C is a high pressure propane appliance and is designed to be connected to a 14.1 or 16.4 ounce disposable propane cylinder. Every unit is tested during manufacturing and shipped fully assembled except for the wire stand.

B. These heaters are equipped with an automatic Safety Shutoff Valve. The gas flow will automatically stop if the heater fails to operate for any reason.

C. Maximum safety and convenience have been built into the HiMed-Lo-Off Control Valve/Regulator. The following table lists the approximate BTU's consumed and the operating hours you can reasonably expect from bulk propane cylinders.

Valve Position	BTU Input	Cylinder 14.1 oz.	Cylinder 16.4 oz.
Hi	15,000	1.3 hours	1.5 hours
Med	12,000	1.6 hours	1.8 hours
Lo	10,000	1.9 hours	2.2 hours

Figure 3

## FOR SAFE OPERATION

**A. READ INSTRUCTIONS CAREFULLY:** Read and adhere to these instructions. Do not allow anyone who has not read the instructions to assemble, light, adjust or operate the heater.

**B. PROPANE IS VERY FLAMMABLE:** In the event of a leak, propane will accumulate and the possibility of a fire is present. Propane gas is scented and its strong odor is readily detectable. Never strike a match or bring any flame or create an electric spark in an enclosure when you smell propane gas. Ventilate the area thoroughly, move the heater outside, find and correct the source of the leak before attempting to light any appliance. If you are unsure of these instructions evacuate immediately and call for help.

**C. GAS LEAKAGE:** If the leak cannot be corrected, do not tamper with the heater, follow the shut down instructions and return the heater to the dealer or address given on last page.

**D. LEAK DETECTION:** Before each use of the heater check all fittings and connections with a soap solution to be sure there are no leaks. NEVER, NEVER USE ANY FLAME FOR LEAK TEST.

**E. CONNECTING HEATER TO PROPANE CYLINDER:** Always connect the heater to the cylinder in the outdoors or in a well ventilated area. NEVER connect this heater to a cylinder near an open flame.

**F. USE OF HEATER:** Always operate the heater with the propane cylinder in an upright position on a level noncombustible surface. NEVER place the cylinder on its side when operating the heater. In cooking position cylinder must be 30 degrees from horizontal.

**G. ATTEND HEATER:** Do not leave heater unattended while it is in operation.

**H. ALWAYS LIGHT HEATER WITH MATCH or “Sparklite” Igniter.**

**I. DO NOT TAMPER:** Should the heater not perform properly, such as little or no heat when operating in the “Hi” position, or for any other reason, DO NOT ATTEMPT TO REPAIR OR TAMPER with the heater. Any tampering could make the use of the heater unsafe and dangerous. Return the heater to the dealer or the address given on last page for repair or replacement.

**J. FOR STORAGE:** The heater Hi-Med-Lo-Off regulating valve should always be turned to “Off” when the heater is not in use. Allow at least 15 minutes for cooling before handling and storing. Detach propane cylinder from heater before storing. DO NOT store propane cylinders near open flame or heat.

## VENTILATION

A. WARNING: This heater is an unvented appliance and MUST be used ONLY in a well ventilated area. NEVER attempt to operate the heater inside any vehicle, camper or enclosure.

B. FOR OUTDOOR USE ONLY. Any combustion process requires and consumes oxygen, and will produce carbon monoxide.

C. WARNING: provide ample ventilation. This heater consumes air (oxygen). Do not use this heater in unventilated structures to avoid endangering your life. Provide additional ventilation for any additional fuel-burning appliances and additional occupants.

## MINIMUM CLEARANCE FROM COMBUSTIBLE MATERIALS

A. When operating, the heater surfaces are extremely hot. Keep sleeping bags, clothing, and all combustible materials clear of the heater by at least the distances shown in figure 4.

BTU/HR. RATING		NORMAL OPERATING PROCEDURE	CLEARANCES TO COMBUSTIBLES				
MODEL NO.	GAS PROPANE		FROM C.L. OF HTR. TO FLOOR	SIDES	REAR	CEILING	FRONT
MH15C	15,000	Vertical & Horizontal	24"	30"	30"	36"	36"

Figure 4

B. **WARNING:** To avoid injury or property damage never allow clothing, tents or other combustible materials within 30" of the heater. This heater must be located at least 24" above the floor level when in use. Never operate the heater when sleeping.

C. **WARNING:** Never direct the heat output of this heater toward any propane tank within 20 feet.

## ASSEMBLY PROCEDURE

A. Make sure the regulator knob on the heater is "off" by turning knob clockwise to the "OFF" position

B. Carefully screw disposable cylinder hand tight into the inlet tapping of regulator. Make sure gas cylinder is in upright position.

C. Make sure the heater is firmly placed in the metal stand. (See Figure 1).

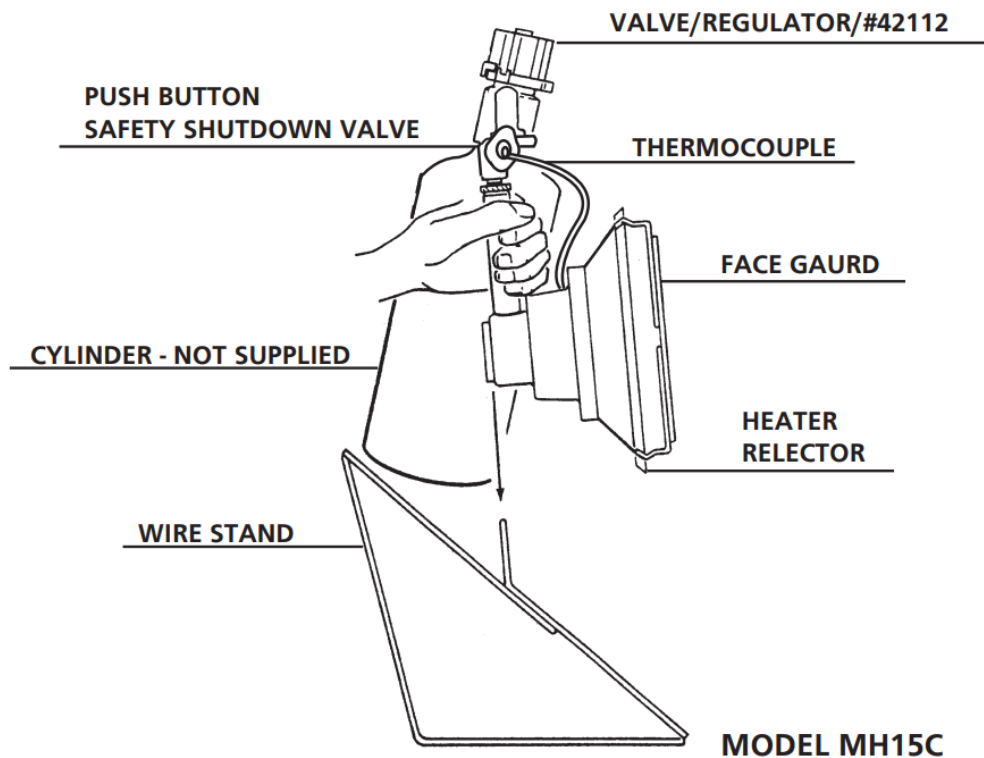
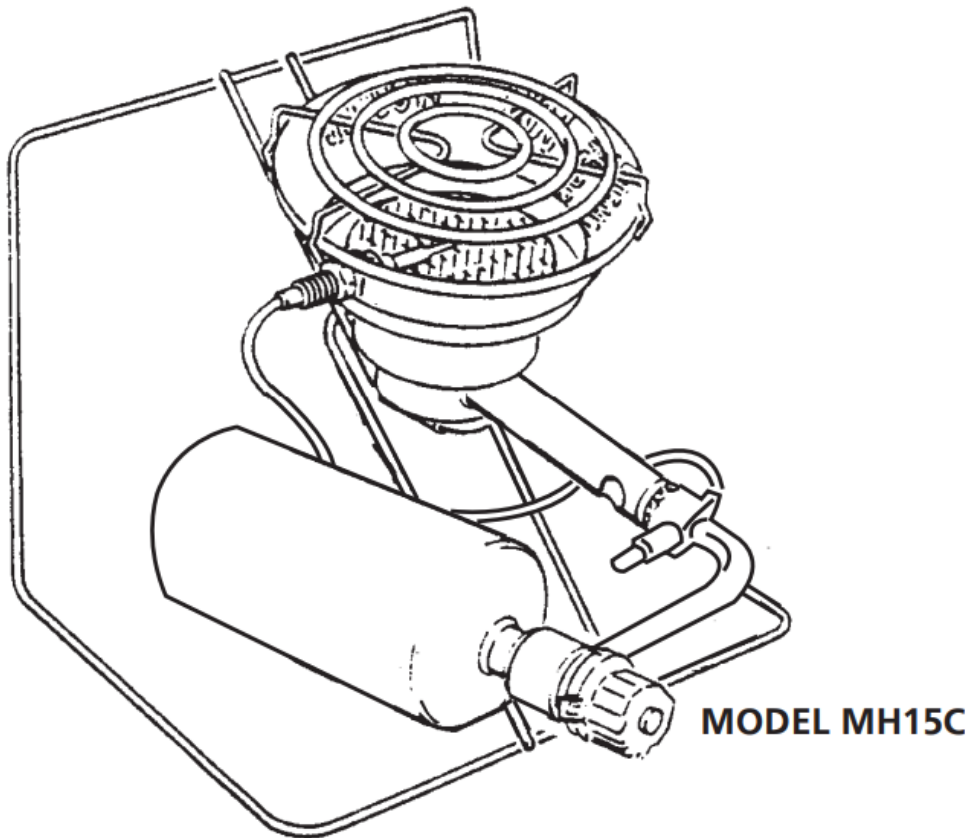


Figure 1

## COOKING POSITIONS



## LIGHTING INSTRUCTIONS

- A. Before attempting to light the heater, check all fittings and connections with a soap solution **NEVER USE A MATCH TO CHECK FOR LEAKS.** Should a gas leak occur, do not attempt to repair or use heater. Return the heater to your dealer or the address given on last page.
- B. Fuel – this heater must be used with propane fuel cylinders as stated in paragraph 1.4 and 1.5 on page 2.
- C. Turn the heater’s “Hi-Med-Lo-Off” regulator knob to “Med” (counterclockwise.)
- D. To light MH15C, place a lit match across the mesh screen where you see “light here” on reflector. (See Fig. 5) **THEN** push in valve button on Safety Shutoff Valve. After the heater is lit, continue to hold valve button in for 30 seconds, then release the button slowly. **CAUTION: DO NOT PUSH IN VALVE BUTTON BEFORE INSERTING LIT MATCH.**

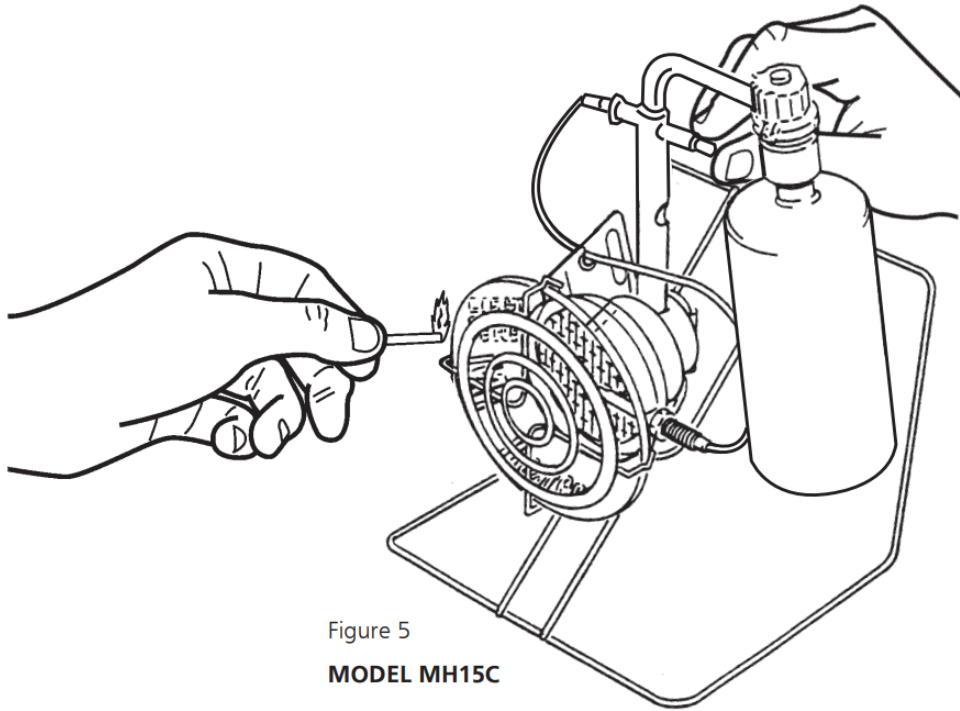


Figure 5  
**MODEL MH15C**

E. If burner does not light within 30 seconds, turn the heater's regulator knob to "off" (clockwise) and allow at least five minutes for gas to dissipate before attempting to relight.

F. NOTE: Should the orifice become clogged as indicated by low volume of gas when operating on "Hi" with a full cylinder, or should the heater fail to operate properly for any reason, return the heater to the dealer or the address given on last page for repair or replacement. DO NOT ATTEMPT TO REPAIR OR TAMPER WITH HEATER.

G. Adjust heat output by turning knob to desired position.

## **SHUTDOWN AND STORAGE INSTRUCTIONS**

A. The valve should ALWAYS be completely turned "OFF" when the heater is not in use.

B. When shutting off the heater, turn the regulator knob on the heater to "OFF" (clockwise). (See Figure 5).

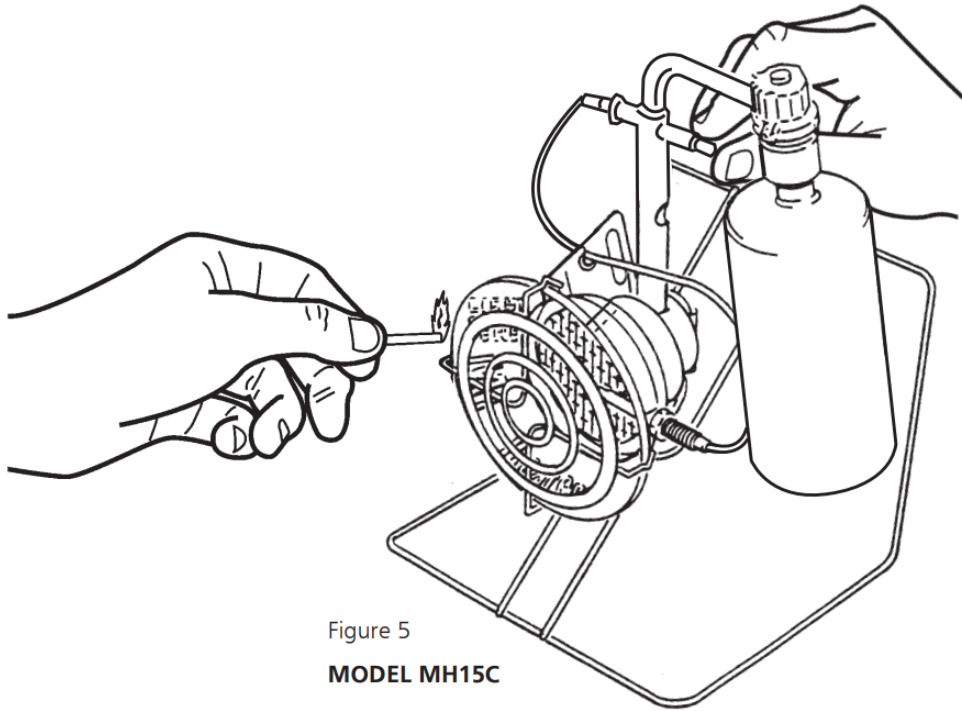
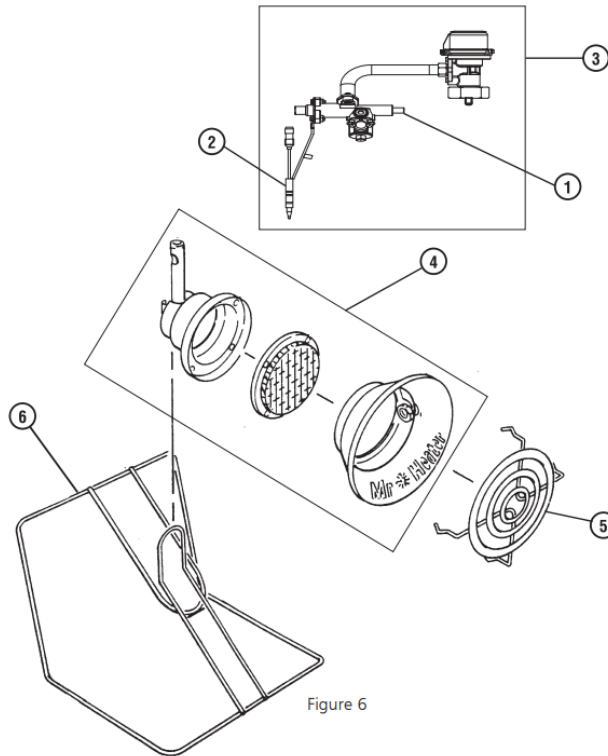


Figure 5  
**MODEL MH15C**

C. **CAUTION:** After turning unit off, heater will remain extremely hot. Allow at least 15 minutes for cooling before handling and storing. Detach heater from cylinder before handling and storage.

D. **HEATER STORAGE:** Always remove the propane cylinder from the heater when not in use. Always store propane cylinders in a cool, well ventilated place away from any flame or heat and in a location not used for habitation. **DO NOT STORE PROPANE CYLINDER WITHIN 60 FT. OF OPEN FLAME OR HEAT.**

E. See Figure 6 for spare parts list.



**NOTE:**  
WHEN LIGHTING BURNER  
WITH A MATCH OR TAPER,  
LIGHT AT SCREEN.  
(NOT AT ORIFICE)

Figure 6

### REPLACEMENT PARTS LIST FOR HEATER MODELS MH15C

REF.#	ITEM#	DESCRIPTION
1	F237416	Replacement Safety Shutoff with Orifice Assembly
2	F237425	Thermocouple Lead - 12" Long
3	42112	Replacement Regulator Assembly Complete (Regulator knob, Thermocouple, Safety Shutoff with Orifice Assembly)
4	42109	Complete Plenum Assembly (Plenum, Screen, Reflector)
5	17413	Wire Face Guard
6	75318P	Square Metal Stand (MH15C)

Figure 7

## FUEL GAS ODOR

LP gas and natural gas have man-made odorants added specifically for detection of fuel gas leaks.

If a gas leak occurs you should be able to smell the fuel gas. Since Propane (LP) is heavier than air you should smell for the gas odor low to the floor. ANY GAS ODOR IS YOUR SIGNAL TO GO INTO IMMEDIATE ACTION!

- Do not take any action that could ignite the fuel gas. Do not operate any electrical switches. Do not pull any power supply or extension cords. Do not light matches or any other source of flame. Do not use your telephone.
- Get everyone out of the building and away from the area immediately.

- Close all propane (LP) gas tank or cylinder fuel supply valves, or the main fuel supply valve located at the meter if you use natural gas.
- Propane (LP) gas is heavier than air and may settle in low areas. When you have reason to suspect a propane leak, keep out of all low areas.
- Use your neighbor's phone and call your fuel gas supplier and your fire department. Do not re-enter the building or area.
- Stay out of the building and away from the area until declared safe by the firefighters and your fuel gas supplier.
- FINALLY, let the fuel gas service person and the firefighters check for escaped gas. Have them air out the building and area before you return. Properly trained service people must repair any leaks, check for further leakages, and then relight the appliance for you.

## **ODOR FADING - NO ODOR DETECTED**

- Some people cannot smell well. Some people cannot smell the odor of the man-made chemical added to propane (LP) or natural gas. You must determine if you can smell the odorant in these fuel gases.
- Learn to recognize the odor of propane (LP) gas and natural gas. Local propane (LP) gas dealers will be more than happy to give you a scratch and sniff pamphlet. Use it to become familiar with the fuel gas odor.
- Smoking can decrease your ability to smell. Being around an odor for a period of time can affect your sensitivity to that particular odor. Odors present in animal confinement buildings can mask fuel gas odor.
- The odorant in propane (LP) gas and natural gas is colorless and the intensity of its odor can fade under some circumstances.
- If there is an underground leak, the movement of gas through the soil can filter the odorant.
- Propane (LP) gas odor may differ in intensity at different levels. Since Propane (LP) gas is heavier than air, there may be more odor at lower levels.
- Always be sensitive to the slightest gas odor. If you continue to detect any gas odor, no matter how small, treat it as a serious leak. Immediately go into action as discussed previously.

## **ATTENTION - CRITICAL POINTS TO REMEMBER!**

- Propane (LP) gas has a distinctive odor. Learn to recognize these odors. (Reference Fuel Gas Odor and Odor Fading sections above.)

- Even If you are not property trained in the service and repair of the heater, ALWAYS be consciously aware of the odors of propane (LP) gas and natural gas.
- If you have not been properly trained in repair and service of propane (LP) gas then do not attempt to light heater, perform service or repairs, or make any adjustments to the heater on the propane (LP) gas fuel system.
- A periodic sniff test around the heater or at the heater's joints; i.e. hose, connections, etc., is a good safety practice under any conditions. If you smell even a small amount of gas, CONTACT YOUR FUEL GAS SUPPLIER IMMEDIATELY. DO NOT WAIT!

### **Warning**

This content is compiled from multiple sources and is provided for reference purposes only. It may not be complete or fully applicable to all situations. If you are unable to resolve your issue, please contact the product manufacturer or an authorized service provider for official support.