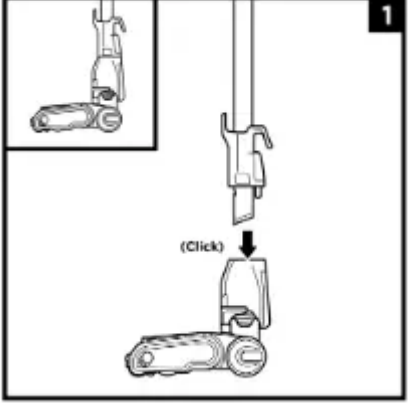
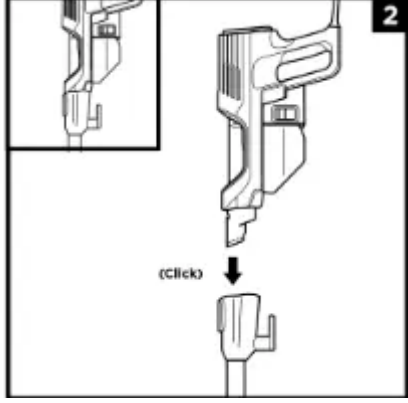
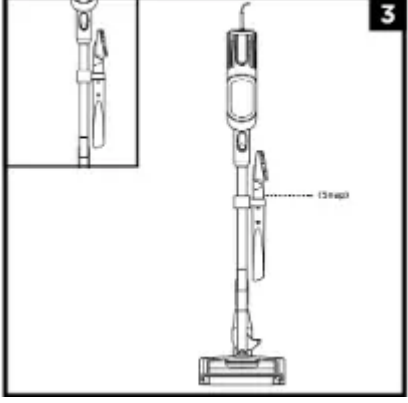
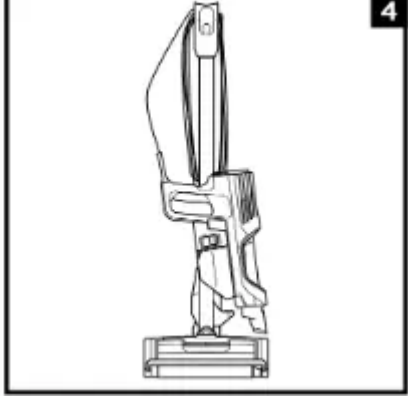






OWNER'S GUIDE UltraLight Corded Stick Vacuum with DuoClean® PowerFins and Self-Cleaning Brushroll



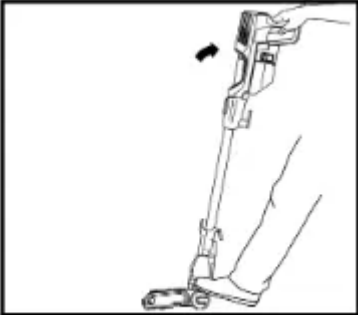
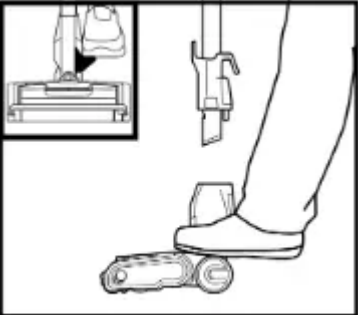
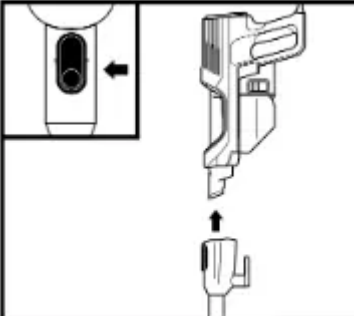
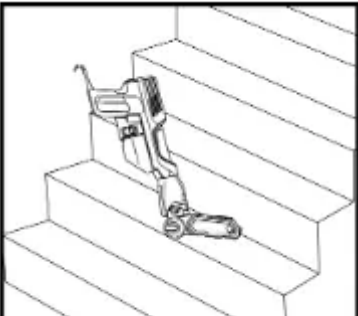
ASSEMBLY

 <p>1</p>	<p>1. Insert Wand into Floor Nozzle</p>
 <p>2</p>	<p>2. Insert Handheld Vacuum into wand.</p>
 <p>3</p>	<p>3. Snap the Onboard Storage Clip onto the wand, then place accessories in the holder. Ensure all connections click securely into place.</p>
 <p>4</p>	<p>4. For compact storage, hang the handheld vacuum from the Storage Hook on the wand</p>

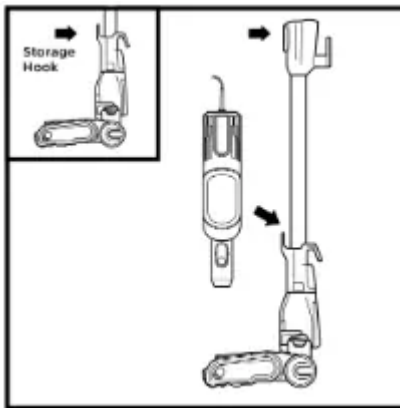
SETTINGS

 <p>CONTROLS</p>	<p>The control panel is located on top of the handheld vacuum.</p>
 <p>POWER BUTTON</p>	<p>Power Button</p> <p>Press the Power button to begin vacuuming. Press again to turn off power. Press the FLOOR TYPE button to toggle between Bare Floor and Carpet settings.</p>
 <p>BARE FLOOR SETTING</p>	<p>Bare Floor/Small Area Rugs</p> <p>When powered on, the vacuum will be in Bare Floor setting. In this setting, the brushrolls spin slowly to clean bare floors and small area rugs.</p>
 <p>CARPET SETTING</p>	<p>Carpet</p> <p>Press the FLOOR TYPE button to switch to Carpet setting. The brushrolls spin faster to pick up debris below the surface of your carpets.</p>

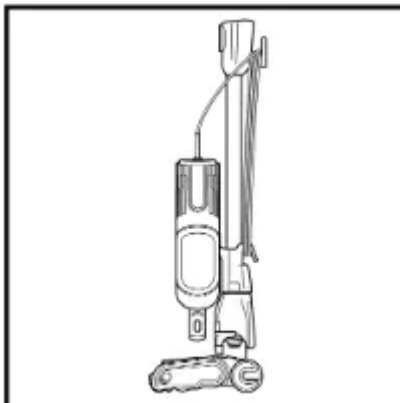
CLEANING MODES

 <p>FLOOR MODE</p>	<p>To clean floors, step on floor nozzle and tilt handheld vacuum back.</p>
 <p>ABOVE-FLOOR WITH WAND</p>	<p>For more reach, detach the wand. Stand the vacuum upright, step on the Foot Pedal on the side of the nozzle, and pull up the wand to detach.</p>
 <p>ABOVE-FLOOR HANDHELD</p>	<p>To detach the handheld vacuum, press the Wand Release button and lift the handheld vacuum off the wand. Great for cleaning stairs, furniture, and countertops.</p>
 <p>STAIR CLEANING</p>	<p>To clean stairs or other narrow spaces, attach the handheld vacuum to the floor nozzle.</p>

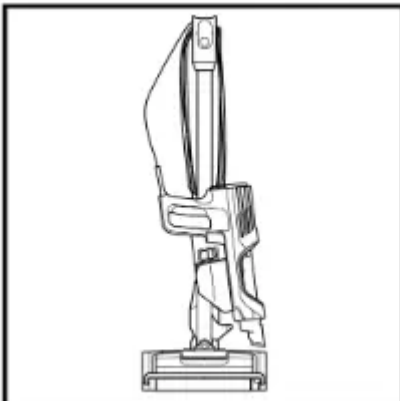
STORAGE MODE



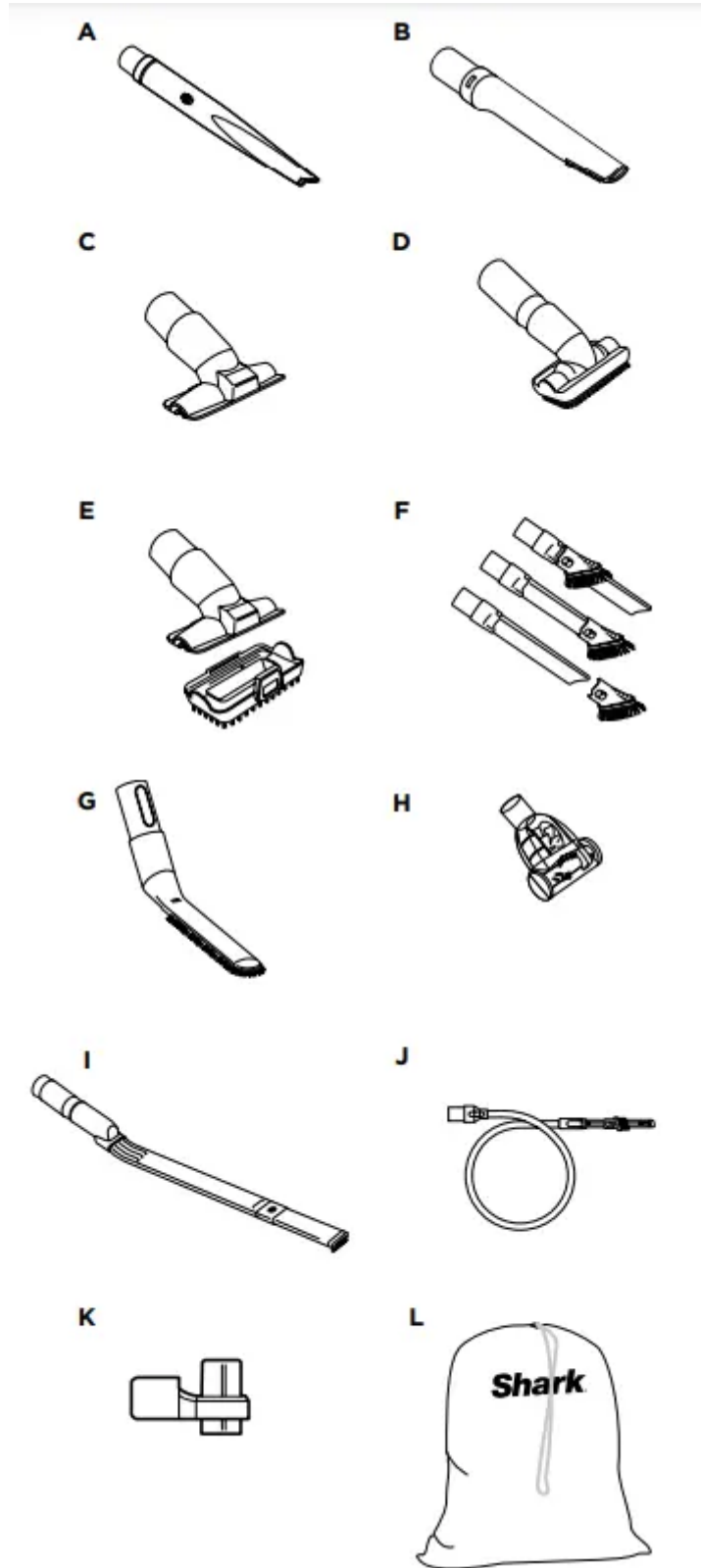
Press the Wand Release button near the top of the wand to detach the handheld vacuum. Align the Catch on the side of the handheld vacuum with the Storage Hook on the wand, then hang the handheld vacuum from the hook.



Wrap the cord around the two cord hooks. Start with the top hook, and leave a little slack in the cord.



AVAILABLE ACCESSORIES



NOTE: Not all accessories come with all units. For a list of the accessories included with this model, see the top inside flap of the box.

A. Crevice Tool

This slim tool is great for cleaning in tight spaces, between couch cushions, and in hard-to-reach areas. A longer crevice tool is available at sharkaccessories.com.

B. Pet Crevice Tool

This versatile, slender 8" tool removes pet hair from hard-to-reach spaces like corners, stairs, and between couch cushions.

C. Upholstery Tool

Picks up pet hair, dust, and large debris from mattresses, couches, curtains, and other delicate upholstered fabrics.

D. Dusting Brush

This brush dusts and cleans delicate surfaces. Great for use on fans, blinds, lampshades, and keyboards.

E. Pet Multi-Tool

A single convertible tool for cleaning tough pet messes two ways: use the stiff bristle brush to clean stuck-on debris, or take off the bristles to reveal an upholstery tool perfect for removing stubborn pet hair and large piles of debris.

F. Duster Crevice Tool

Two cleaning tools in one. The crevice tool gives you extended reach to clean in tight spaces, while the soft brush is ideal for dusting delicate surfaces.

G. Anti-Allergen Dust Brush

This brush features nylon fiber bristles specifically designed for removing fine dust and allergen particles from the most delicate surfaces.

H. Self-Cleaning Pet Power Brush

Tackles pet hair and ground-in dirt from above-floor areas like carpeted stairs and upholstery, while actively removing hair wrap as it cleans.

I. Precision Duster

This flexible tube features a micro-duster crevice tool on the end for cleaning around delicate objects and in difficult-to-reach spots like car interiors and computer keyboards.

J. Under-Appliance Wand

Clean under and behind hard-to-move appliances and furniture with this adjustable 36" tool. Flip the extension piece over to clean the underside of appliances.

K. Onboard Storage Clip

This removable clip attaches to your vacuum. The clip can store up to two accessories at a time while you clean.

L. Accessory Bag (Large, 32 x 70 cm)

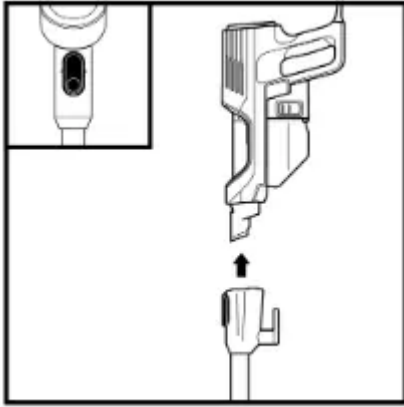
This convenient accessory storage bag measures 32 cm x 70 cm and fits the Under-Appliance Wand.

MAINTENANCE

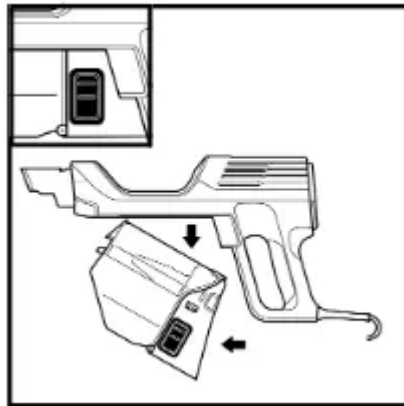
IMPORTANT: Unplug the vacuum before performing any maintenance.

EMPTYING THE DUST CUP

Empty the dust cup each time you vacuum and periodically during cleaning, when debris in the dust cup reaches the MAX fill line.



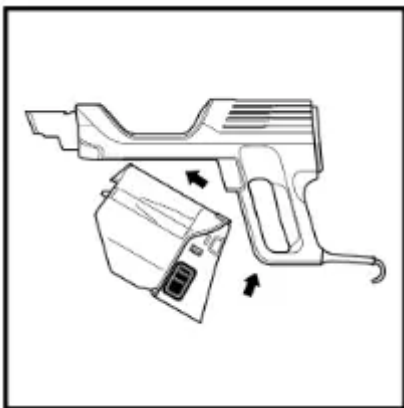
Press the Wand Release button and lift off the handheld vacuum.



To remove the dust cup from the handheld vacuum, press the two Dust Cup Release buttons at the same time and slide out the dust cup.



Hold the dust cup over the trash. Press the Empty button and pull open the dust cup lid until it clicks and locks in the open position. Gently tap the cone-shaped screen inside the dust cup to knock dust and debris into the trash.



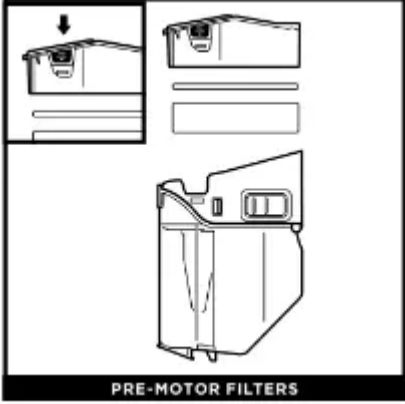
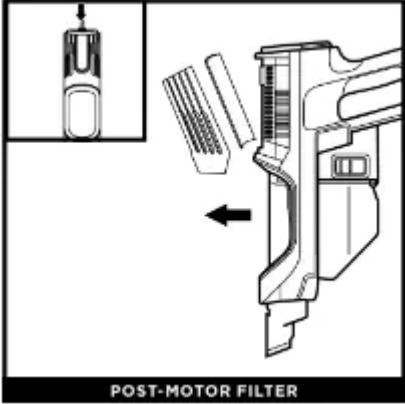
To reinstall, push the lid closed, then insert the front end of the dust cup into the handheld vacuum first, then the back end, until it clicks into place.

IMPORTANT: Unplug the vacuum before performing any maintenance.

CLEANING FILTERS

Regularly rinse and replace the filters to maintain your vacuum's suction power.

To prevent damage from cleaning chemicals, rinse filters with cold water only. Do not use soap. Allow all filters to air-dry for at least 24 hours before reinstalling them to prevent liquid from being drawn into electronic parts.

 <p>PRE-MOTOR FILTERS</p>	<p>With the dust cup detached, press the Filter Access buttons on both sides of the back of the dust cup, then pull out the filter housing. Pull the foam filter out of the housing, then lift out the felt filter by the pull tab.</p> <p>The Pre-Motor Filters should be washed once a month.</p>
 <p>POST-MOTOR FILTER</p>	<p>To access the post-motor filter, press the release latch on the filter cover on the handheld vacuum. Remove the cover and lift out the filter.</p> <p>The Post-Motor Filter should be washed once every 9 months.</p>

REPLACEMENT FILTERS

Replacement Pre-Motor Filter Kit
XFFKHZ2000



Replacement Post-Motor Filter
XPMFHZ2000



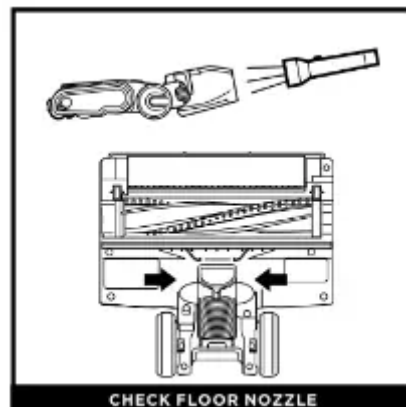
CHECKING FOR BLOCKAGES



Remove the handheld vacuum from the wand and check all dust cup intake openings for debris or blockages.

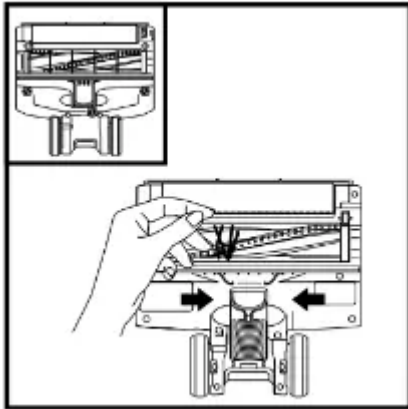


Detach the wand and check it for blockages.



Detach the wand, then tilt the floor nozzle Debris Intake back and check openings for blockages.

FLOOR NOZZLE MAINTENANCE

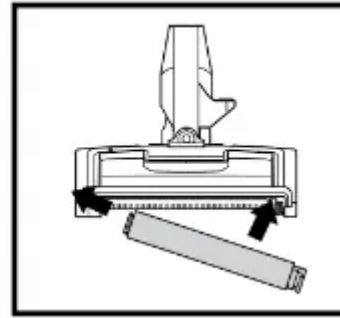
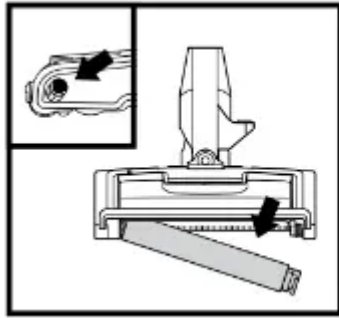


If you notice any hair wrap, continue vacuuming and the Self-Cleaning Brushroll will automatically remove it. If some hair wrap remains after continued use, carefully clear it away from the brushroll.

Check the Debris Intake and clear away any dirt or blockages.

To close the cover, push down until it clicks into place.

CLEANING THE SOFT ROLLER



1. To remove the Soft Roller, slide the Eject Roller button on the floor nozzle.
2. Tap loose debris off the Soft Roller. Use a dry towel to wipe it clean, and to remove any debris caught in the teeth behind the Soft Roller.
3. Hand-wash the Soft Roller as needed. Use only water, and let it air-dry completely for at least 24 hours.
4. Reinsert the Soft Roller and press it in until it clicks securely into place.

TROUBLESHOOTING

Vacuum is not picking up debris. No suction or light suction. (Refer to Maintenance section for more information.)

- Empty the dust cup. Check filters to see if they need cleaning. Follow instructions for rinsing and completely air-drying the filters before reinstalling them.
- Clear any blockages in the nozzle, wand, handheld vacuum, or accessories. See Checking for Blockages section for more information.
- If any string, hair, or carpet fibers remain wrapped around the brushroll after continued use, carefully clear them away.

- Remove any blockages from the Debris Intake in the floor nozzle. Pinch the tabs on the bottom of the nozzle to open the cover, and lift up the intake tube. Clear blockages, then push the tube down and press the nozzle cover closed.

Vacuum lifts area rugs.

- Suction is powerful. Take care when vacuuming area rugs or rugs with delicately sewn edges.
- Turn off the unit to disengage the brushrolls. To restart, press the power button on the handle.

NOTE: During above-floor cleaning, accessories are optimized for different types of debris (See Available Accessories section).

Vacuum nozzle stops working or the indicator light is red.

- If the brushroll indicator light turns solid red, immediately turn off and unplug the vacuum.
- Disconnect the wand from the floor nozzle and clear any blockages.
- Reconnect the wand, plug in the vacuum, and turn on the power.
- If the brushroll indicator light on the floor nozzle is green, the blockage has been successfully cleared. If the light is still red, please contact Customer Service at 1-800-798-7398.

Vacuum turns off on its own or the indicator light flashes red.

If your vacuum overheats, the thermostat will automatically turn off the motor. Perform the following steps to restart:

1. Turn off the vacuum and unplug it.
2. Empty the dust cup and clean the filters. See Emptying the Dust Cup and Cleaning Filters sections.
3. Check for blockages in the wand, floor nozzle, handheld vacuum, inlet openings, and accessories,
4. Reassemble the entire vacuum and ensure all parts click into place.
5. Allow unit to cool for a minimum of 60 minutes.
6. Plug in vacuum and turn it on.

Vacuum is making a loud noise.

If you vacuum up a hard or sharp object or notice a noise change while vacuuming, check for blockages or objects caught behind the brushroll. See Checking for Blockages section for more information.

Handheld vacuum is warm.

Due to the strong suction power of the vacuum, it is normal to experience warmth around the filter exhaust area during and after use. Turn off the vacuum and wait for 10 minutes for it to cool down. If the warmth continues, clean the pre-motor and post motor filters. Refer to the maintenance section for filter cleaning instructions.

IMPORTANT SAFETY INSTRUCTIONS

To reduce the risk of electric shock, this vacuum cleaner has a polarized plug (one blade is wider than the other). As a safety feature, this plug will fit into a polarized outlet only one way. If the plug does not fit fully into the outlet, reverse the plug. If it still does not fit, contact a qualified electrician. DO NOT force into outlet or try to modify to fit.

When using an electrical appliance, basic precautions should always be followed, including the following:

1. Your vacuum cleaner may consist of a motorized nozzle, wand, hose, and/or vacuum pod. This device contains electrical connections, electrical wiring, and moving parts that potentially present risk to the user.
2. Use only identical replacement parts.
3. Carefully observe and follow the instructions provided below to avoid improper use of the appliance. DO NOT use the vacuum for any purpose other than those described in this manual.
4. Before use, carefully inspect all parts for any damage. DO NOT use if any parts are damaged.
5. The use of an extension cord is NOT recommended.
6. This vacuum cleaner contains no serviceable parts.
7. This appliance can be used by persons with reduced physical, sensory or mental capabilities or lack of experience and knowledge if they have been given supervision or instruction concerning use of the appliance in a safe way and understand the hazards involved. Cleaning and user maintenance shall not be made by children. Keep the appliance and its cord out of reach of children. DO NOT allow the appliance to be used by children. DO NOT allow to be used as a toy. Close supervision is necessary when used near children.
8. Always turn off the vacuum cleaner before connecting or disconnecting any motorized nozzles or other accessories.
9. DO NOT handle plug or vacuum cleaner with wet hands.
10. DO NOT use without filters in place.
11. Only use Shark® branded filters and accessories.

12. DO NOT damage the power cord:

1. DO NOT pull or carry vacuum cleaner by the cord or use the cord as a handle.
2. DO NOT unplug by pulling on cord. Grasp the plug, not the cord.
3. DO NOT run the vacuum cleaner over the power cord, close a door on the cord, pull the cord around sharp corners, or leave the cord near heated surfaces.

13. DO NOT put any objects into nozzle or accessory openings. DO NOT use with any opening blocked; keep free of dust, lint, hair, and anything that may reduce airflow.

14. DO NOT use if nozzle or accessory airflow is restricted. If the air paths or the motorized floor nozzle become blocked, turn the vacuum cleaner off and unplug from electrical outlet. Remove all obstructions before you plug in and turn on the unit again.

15. Keep nozzle and all vacuum openings away from hair, face, fingers, uncovered feet, or loose clothing.

16. DO NOT use if vacuum cleaner is not working as it should, or has been dropped, damaged, left outdoors, or dropped into water.

17. Use extra care when cleaning on stairs.

18. DO NOT leave the vacuum cleaner unattended while plugged in.

19. When powered on, keep the vacuum cleaner moving over the carpet surface at all times to avoid damaging the carpet fibers.

20. DO NOT place vacuum cleaner on unstable surfaces such as chairs or tables.

21. Your Shark® vacuum may not be designed to stand up on its own. When taking a break from cleaning, you may need to lean it against furniture or a wall, or lay it flat on the floor. Using the vacuum for an application where the unit lacks stability may result in personal injury.

22. DO NOT use to pick up:

1. Liquids
2. Large objects
3. Hard or sharp objects (glass, nails, screws, or coins)
4. Large quantities of dust (drywall dust, fireplace ash, or embers). DO NOT use as an attachment to power tools for dust collection.
5. Smoking or burning objects (hot coals, cigarette butts, or matches)
6. Flammable or combustible materials (lighter fluid, gasoline, or kerosene)
7. Toxic materials (chlorine bleach, ammonia, or drain cleaner)

23. DO NOT use in the following areas:

1. Poorly lit areas

2. Wet or damp surfaces
 3. Outdoor areas
 4. Spaces that are enclosed and may contain explosive or toxic fumes or vapors (lighter fluid, gasoline, kerosene, paint, paint thinners, mothproofing substances, or flammable dust)
24. Turn off all controls before plugging in or unplugging the vacuum.
 25. Unplug from electrical outlet when not in use and before any maintenance or cleaning.
 26. Hand wash with water only. Washing with cleaning chemicals could damage the unit.
 27. During cleaning or routine maintenance, DO NOT cut anything other than hair, fibers, or string wrapped around the brushroll.
 28. Allow all filters to air-dry completely before replacing in the vacuum to prevent liquid from being drawn into electric parts.
 29. Make sure the dust cup and all filters are in place after routine maintenance.
 30. If provided, secure the power cord around the two cord hooks during storage.

Warning

This content is compiled from multiple sources and is provided for reference purposes only. It may not be complete or fully applicable to all situations. If you are unable to resolve your issue, please contact the product manufacturer or an authorized service provider for official support.