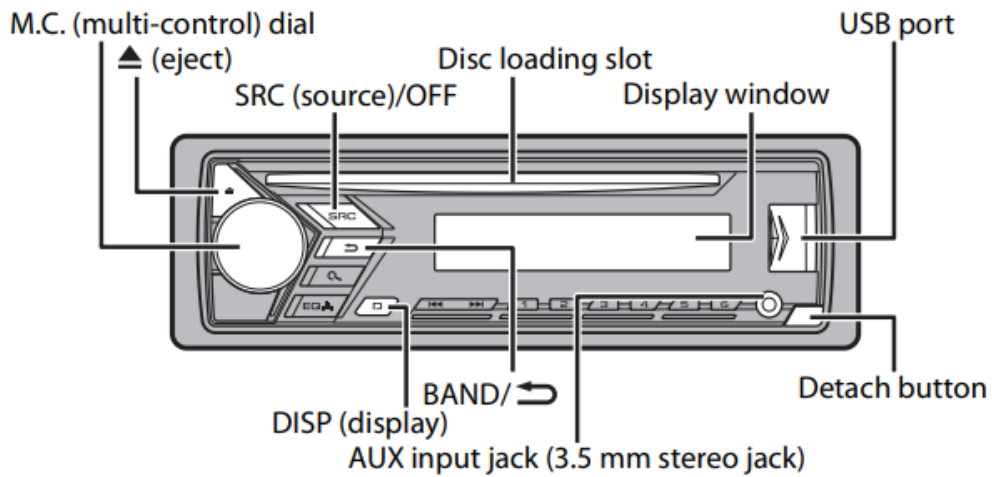


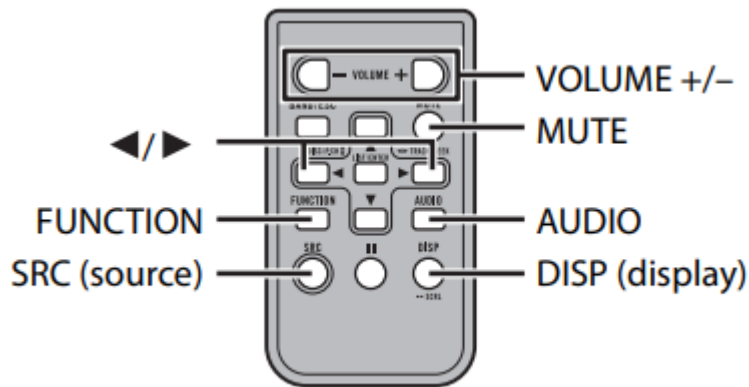
Getting Started

Basic operation

DEH-S1000UB/S1010UB



Remote Control



Frequently used operations



Purpose	Operation	
	Head Unit	Remote Control
Turn on the power*	Press SRC/OFF to turn on the power. Press and hold SRC/OFF to turn off the power.	Press SRC to turn on the power. Press and hold SRC to turn off the power.
Adjust the volume	Turn the M.C. dial.	Press VOLUME + or - . Press MUTE to mute the unit. Press MUTE again or press VOLUME + or - to unmute.
Select a source	Press SRC/OFF repeatedly.	Press SRC repeatedly.
Change the display information	Press DISP repeatedly.	Press DISP repeatedly.
Return to the previous display/list	Press BAND/↶ .	Press ◀/▶ to select the next/previous folder.
Return to the normal display from the menu	Press and hold BAND/↶ .	-

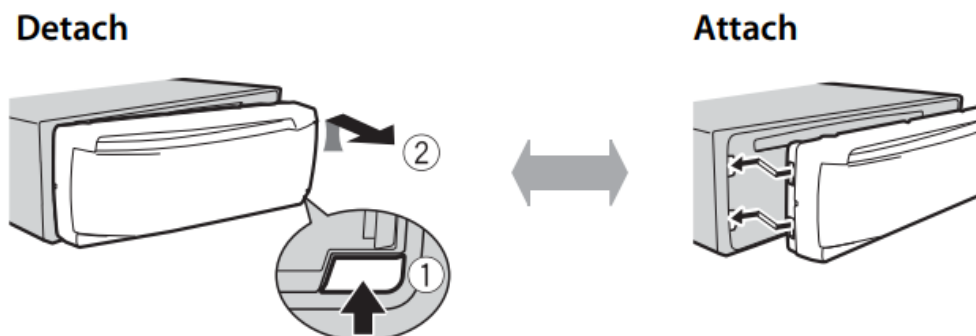
* When this unit's blue/white lead is connected to the vehicle's auto-antenna relay control terminal, the vehicle's antenna extends when this unit's source is turned on. To retract the antenna, turn the source off.

Display indication

Indication	Description
▶	Appears when a lower tier of the menu or folder exists.
🔍	Appears when the 🔍 button is pressed.
LOC	Appears when the local seek tuning function is set (page 8).
S.Rtrv	Appears when the sound retriever function is set (page 8).
🎲	Appears when random play is set.
↶	Appears when repeat play is set.

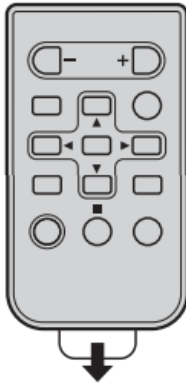
Detaching the front panel

Detach the front panel to prevent theft. Remove any cables and devices attached to the front panel and turn off the unit before detaching it.

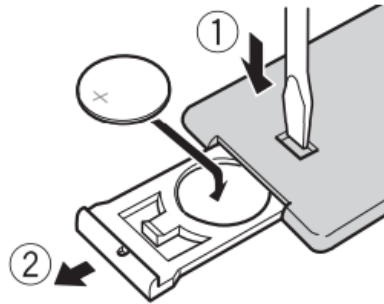


Preparing the remote control

Remove the insulation sheet before use.



How to replace the battery



Insert the CR2025 (3 V) battery with the plus (+) and minus (-) poles orientated properly.

Setting the clock (CLOCK SET)

When you turn the ignition switch to ON after installation, [SET UP :YES] appears in the display.

1. Press the M.C. dial.

The setup menu disappears after 30 seconds of no operation. If you prefer not to set at this time, turn the M.C. dial to select [NO], then press to confirm.

2. Turn the M.C. dial to adjust the hour, then press to confirm.

The indicator moves to the minute setting automatically.

3. Turn the M.C. dial to adjust the minute, then press to confirm. [QUIT] appears.

4. Turn the M.C. dial to select [YES], then press to confirm.

Canceling the demonstration display (DEMO OFF)

1. Press the M.C. dial to display the main menu.
2. Turn the M.C. dial to select [SYSTEM], then press to confirm.
3. Turn the M.C. dial to select [DEMO OFF], then press to confirm.
4. Turn the M.C. dial to select [YES], then press to confirm.

INITIAL settings

1. Press and hold SRC/OFF until the unit turns off.
2. Press the M.C. dial to display the main menu.
3. Turn the M.C. dial to select [INITIAL], then press to confirm.
4. Turn the M.C. dial to select an option, then press to confirm.

Menu Item	Description
SP-P/O MODE [REAR/SUB.W]	Select when there is a full-range speaker connected to the rear speaker output leads and there is a subwoofer connected to the RCA output.
[SUB.W/SUB.W]	Select when there is a passive subwoofer connected directly to the rear speaker output leads and there is a subwoofer connected to the RCA output.
[REAR/REAR]	Select when there are full-range speakers connected to the rear speaker output leads and RCA output. If there is a full-range speaker connected to the rear speaker output leads, and the RCA output is not used, you may select either [REAR/SUB.W] or [REAR/REAR].
S/W UPDATE [SYSTEM INFO]	Select to confirm the latest system information on the unit.
[SYSTEM UPDATE]	Select to update the unit to the latest software and initialize the unit settings. For details on the latest software and updating, visit our website.
SYSTEM RESET [YES], [NO]	Select [YES] to initialize the unit settings. The unit will be restarted automatically. (Some of the settings may be retained even after resetting the unit.)

Using Pioneer ARC APP

You can operate the unit from Pioneer ARC APP installed on an Android device. In some cases, you can control aspects of the application, such as source selection, pause, etc., by using the unit.

For details on what operations are available on the application, see the application's help section.

Making a connection with Pioneer ARC APP

1. Connect this unit with the mobile device. • Android device via USB (page 6)
2. Press the M.C. dial to display the main menu.
3. Turn the M.C. dial to select [SYSTEM], then press to confirm.
4. Turn the M.C. dial to select [ANDROID WIRED], then press to confirm.
5. Turn the M.C. dial to select [APP CONTROL] for an Android device connected via USB.

If [ON] is selected in [P.APP AUTO ON] (page 9), Pioneer ARC APP on the Android device starts automatically, and all the steps are finished.

6. Press SRC/OFF to select any source.
7. Launch Pioneer ARC APP on the mobile device.

Listening to music on Android

1. Press SRC/OFF to select [ANDROID].

Basic operations

Purpose	Operation
Select a track	Press ⏮ or ⏭ .
Fast forward or reverse	Press and hold ⏮ or ⏭ .
Pause/resume playback	Press 4/PAUSE .

Settings

You can adjust various settings in the main menu.

1. Press the M.C. dial to display the main menu.
2. Turn the M.C. dial to select one of the categories below, then press to confirm.
 - FUNCTION settings (page 8)
 - AUDIO settings (page 8)
 - SYSTEM settings (page 9)
 - ILLUMINATION settings (page 9)
 - MIXTRAX settings (page 9)
3. Turn the M.C. dial to select the options, then press to confirm.


FUNCTION settings

The menu items vary according to the source.

Menu Item	Description
BSM <input type="button" value="RADIO"/>	Store the six strongest stations on the number buttons (1/▲ to 6/↻) automatically.
LOCAL <input type="button" value="RADIO"/>	
FM: [OFF], [LV1], [LV2], [LV3], [LV4] AM: [OFF], [LV1], [LV2]	Restrict the tuning station according to the signal strength.

Menu Item	Description
SEEK <input type="button" value="RADIO"/> [MAN], [PCH]	Assign ◀◀ or ▶▶ buttons to seek the stations one by one (manual tuning) or select a station from the preset channels.
S.RTRV <input type="button" value="CD"/> <input type="button" value="USB"/> <input type="button" value="ANDROID"/> [1] (effective for low compression rates), [2] (effective for high compression rates), [OFF]	Enhance compressed audio and restore rich sound. Not available when: <ul style="list-style-type: none"> • USB is selected as a source and the MIXTRAX function is set to on. • CD-DA/CD-TEXT is played back.

AUDIO settings

Menu Item	Description
FADER*1	Adjust the front and rear speaker balance.
BALANCE	Adjust the left and right speaker balance.
EQ SETTING [SUPER BASS], [POWERFUL], [NATURAL], [VOCAL], [CUSTOM1], [CUSTOM2], [FLAT] Select an equalizer band and level for further customizing. Equalizer band: [80HZ], [250HZ], [800HZ], [2.5KHZ], [8KHZ] Equalizer level: [+6] to [-6]	Select or customize the equalizer curve. [CUSTOM1] can be set separately for each source. However, each of the below combinations are set to the same setting automatically. [CUSTOM2] is a shared setting used for all sources. You can also switch the equalizer by pressing EQ  repeatedly.
LOUDNESS [OFF], [LOW], [MID], [HI]	Compensate for clear sound at low volume.
SUB.W*2 [NOR], [REV], [OFF]	Select the subwoofer phase.

Menu Item	Description
SUB.W CTRL *2*3	
Cut-off frequency: [50HZ], [63HZ], [80HZ], [100HZ], [125HZ], [160HZ], [200HZ] Output level: [-24] to [+6] Slope level: [-12], [-24]	Only frequencies lower than those in the selected range are output from the subwoofer.
BASS BOOST	
[0] to [+6]	Select the bass boost level.
HPF SETTING	
Cut-off frequency: [OFF], [50HZ], [63HZ], [80HZ], [100HZ], [125HZ], [160HZ], [200HZ] Slope level: [-12], [-24]	Only frequencies higher than the high-pass filter (HPF) cutoff are output from the speakers.
SLA	
[+4] to [-4]	Adjust the volume level for each source except FM.

*1 Not available when [SUB.W/SUB.W] is selected in [SP-P/O MODE] in the INITIAL settings (page 5).

*2 Not available when [REAR/REAR] is selected in [SP-P/O MODE] in the INITIAL settings (page 5).

*3 Not available when [OFF] is selected in [SUB.W].

SYSTEM settings

You can also access to these menus when the unit is turned off.

Menu Item	Description
CLOCK SET	
	Set the clock (page 5).
12H/24H	
[12H], [24H]	Select the time notation.
AUX	
[ON], [OFF]	Set to [ON] when using an auxiliary device connected to the unit.
ANDROID WIRED	
[MEMORY], [APP CONTROL]	Select the appropriate connection method for an Android device.

Menu Item	Description
P.APP AUTO ON [ON], [OFF]	Select [ON] to automatically launch Pioneer ARC APP when an Android device is connected to the unit via AOA. (Not available when [MEMORY] is selected in [ANDROID WIRED].)
USB AUTO [ON], [OFF]	Select [ON] to automatically switch to [USB] source when a USB device is connected to the unit. Select [OFF] when a USB device is being connected to the unit just for charging.

ILLUMINATION settings

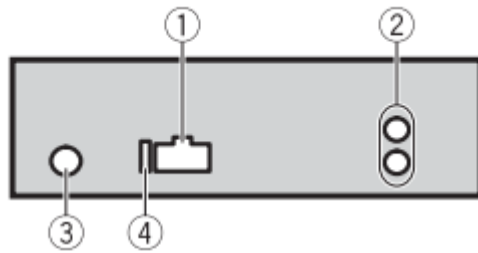
Menu Item	Description
DIM SETTING [SYNC CLOCK], [MANUAL]	Change the display brightness.
BRIGHTNESS [1] to [10]	Change the display brightness. The available setting ranges differ depending on [DIM SETTING].

MIXTRAX settings

Menu Item	Description
SHORT PLAYBCK [1.0 MIN], [1.5 MIN], [2.0 MIN], [2.5 MIN], [3.0 MIN], [OFF]	Select the length of the playback time.
MIX PATTERN [SOUND LEVEL]	Change the MIXTRAX special effects according to the audio level. The mix pattern changes according to the sound level.
[LOW PASS]	The mix pattern changes according to the bass level.
[RANDOM]	The mix pattern changes randomly according to the sound level mode and low pass mode.
Menu Item	Description
DISPLAY FX [ON], [OFF]	Set the MIXTRAX special effects on/off.
CUT IN FX [ON], [OFF]	Turn the MIXTRAX sound effects on/off while manually changing the tracks.

Connections/Installation

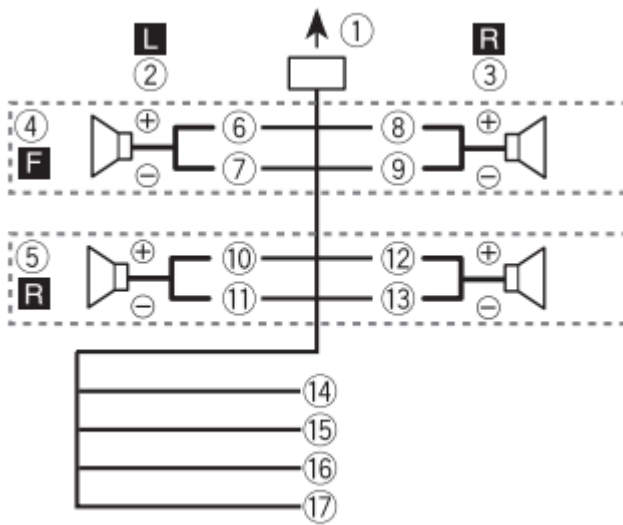
This unit



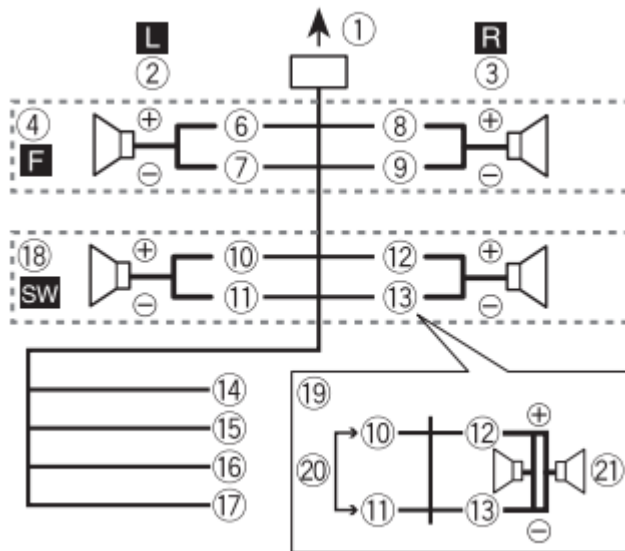
- ① Power cord input
- ② Rear output or subwoofer output
- ③ Antenna input
- ④ Fuse (10 A)

Power cord

Perform these connections when not connecting a rear speaker lead to a subwoofer.



Perform these connections when using a subwoofer without the optional amplifier

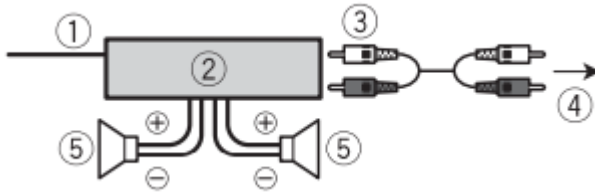


1. To power cord input
2. Left
3. Right
4. Front speaker
5. Rear speaker
6. White
7. White/black
8. Gray
9. Gray/black
10. Green
11. Green/black
12. Violet
13. Violet/black
14. Black (chassis ground) . Connect to a clean, paint-free metal location.
15. Yellow. Connect to the constant 12 V supply terminal.
16. Red. Connect to terminal controlled by the ignition switch (12 V DC).
17. Blue/white. Connect to the system control terminal of the power amp or auto-antenna relay control terminal (max. 300 mA 12 V DC).
18. Subwoofer (4 Ω)
19. When using a subwoofer of 2 Ω , be sure to connect the subwoofer to the violet and violet/black leads of this unit. Do not connect anything to the green and green/black leads.
20. Not used.

21. Subwoofer (4 Ω) × 2

Power amp (sold separately)

Perform these connections when using the optional amplifier.

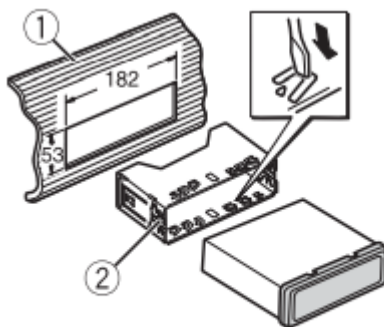


1. System remote control Connect to blue/white cable.
2. Power amp (sold separately)
3. Connect with RCA cables (sold separately)
4. To rear output or subwoofer output
5. Rear speaker or subwoofer

Installation

DIN mount installation

1. Insert the supplied mounting sleeve into the dashboard.
2. Secure the mounting sleeve by using a screwdriver to bend the metal tabs (90°) into place.

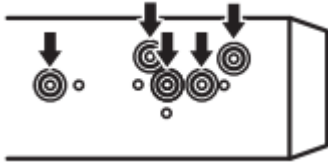


- ① Dashboard
- ② Mounting sleeve

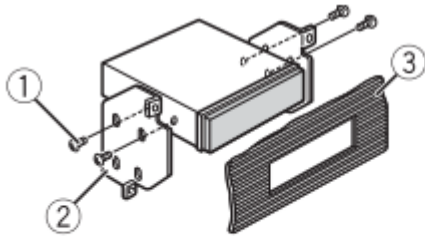
- Make sure that the unit is installed securely in place. An unstable installation may cause skipping or other malfunctions.

When not using the supplied mounting sleeve

1. Determine the appropriate position where the holes on the bracket and the side of the unit match.



2. Tighten two screws on each side.

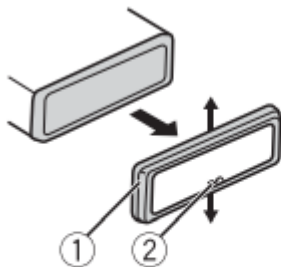


- ① Screw
- ② Mounting bracket
- ③ Dashboard or console

- Use either truss (5 mm × 9 mm) or flush surface (5 mm × 9 mm) screws, depending on the bracket screw holes.

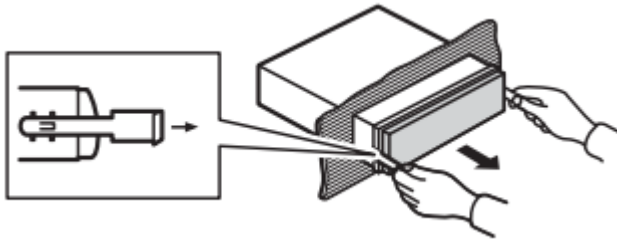
Removing the unit (installed with the supplied mounting sleeve)

1. Remove the trim ring.



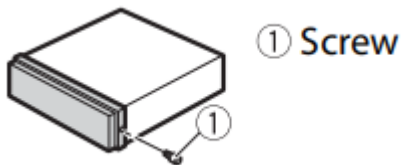
- ① Trim ring
- ② Notched tab

- Releasing the front panel allows easier access to the trim ring.
 - When reattaching the trim ring, point the side with the notched tab down.
2. Insert the supplied extraction keys into both sides of the unit until they click into place.
3. Pull the unit out of the dashboard.



To secure the front panel

The front panel can be secured with the supplied screw.



Troubleshooting

The display automatically returns to the normal display.

- No operations have been made for about 30 seconds.
- Perform an operation.

The repeat play range changes unexpectedly.

- Depending on the repeat play range, the selected range may change when another folder or track is being selected or during fast forwarding/reversing.
- Select the repeat play range again.

A subfolder is not played back.

- Subfolders cannot be played when [FLD] (folder repeat) is selected.
- Select another repeat play range.

The sound is intermittent.

- You are using a device, such as a cellular phone, that may cause audible interference.
- Move electrical devices that may be causing the interference away from the unit.

Error messages

Common

AMP ERROR

- This unit fails to operate or the speaker connection is incorrect.

- The protective circuit is activated.
 - Check the speaker connection.
 - Turn the ignition switch OFF and back to ON again. If the message remains, contact your dealer or an authorized Pioneer Service Station for assistance.

NO XXXX (NO TITLE, for example)

- There is no embedded text information.
 - Switch the display or play another track/file.

CD player

ERROR-07, 11, 12, 17, 30

- The disc is dirty.
 - Clean the disc.
- The disc is scratched.
 - Replace the disc.

ERROR-07, 10, 11, 12, 15, 17, 30, A0

- There is an electrical or mechanical error.
 - Turn the ignition switch OFF and back to ON, or switch to a different source, then back to the CD player.

ERROR-15

- The inserted disc is blank.
 - Replace the disc.

ERROR-23

- Unsupported CD format.
 - Replace the disc.

FORMAT READ

- Sometimes there is a delay between the start of playback and when you start to hear any sound.
 - Wait until the message disappears and you hear sound.

NO AUDIO

- The inserted disc does not contain any playable files.
 - Replace the disc.

SKIPPED

- The inserted disc contains DRM protected files.
 - The protected files are skipped.

PROTECT

- All the files on the inserted disc are embedded with DRM.
 - Replace the disc.

USB device

FORMAT READ

- Sometimes there is a delay between the start of playback and when you start to hear any sound.
 - Wait until the message disappears and you hear sound.

NO AUDIO

- There are no songs.
 - Transfer the audio files to the USB device and connect.
- The connected USB device has security enabled.
 - Follow the USB device instructions to disable the security.

SKIPPED

- The connected USB device contains DRM protected files.
 - The protected files are skipped.

PROTECT

- All the files on the connected USB device are embedded with DRM.
 - Replace the USB device.

N/A USB

- The connected USB device is not supported by this unit.
 - Disconnect your device and replace it with a compatible USB device.

HUB ERROR

- The USB device connected via a USB hub is not supported by this unit.
 - Connect the USB device directly to this unit using a USB cable.

CHECK USB

- The USB connector or USB cable has short-circuited
 - Check that the USB connector or USB cable is not caught in something or damaged.
- The connected USB device consumes more than maximum allowable current.

- Disconnect the USB device and do not use it. Turn the ignition switch OFF and back to ACC or ON. Connect only compliant USB devices.

ERROR-19

- Communication failed.
 - Perform one of the following operations, then return to the USB source.
 - Turn the ignition switch OFF and back to ON.
 - Disconnect the USB device.
 - Change to a different source.

ERROR-23

- USB device was not formatted properly.
 - Format the USB device with FAT12, FAT16 or FAT32.

STOP

- There are no songs in the current list.
 - Select a list that contains songs.

Specifications

General

Power source: 14.4 V DC (10.8 V to 15.1 V allowable)

Grounding system: Negative type

Maximum current consumption: 10.0 A

Dimensions (W × H × D):

DIN

Chassis: 178 mm × 50 mm × 165 mm (7 in. × 2 in. × 6-1/2 in.)

Nose: 188 mm × 58 mm × 17 mm (7- 3/8 in. × 2-1/4 in. × 5/8 in.)

D

Chassis: 178 mm × 50 mm × 165 mm (7 in. × 2 in. × 6-1/2 in.)

Nose: 170 mm × 46 mm × 17 mm (6- 3/4 in. × 1-3/4 in. × 5/8 in.)

Weight: 1 kg (2.2 lbs)

Audio

Maximum power output:

- 50 W × 4 ch/4 Ω (for no subwoofer)
- 50 W × 2 ch/4 Ω + 70 W × 1 ch/2 Ω (for subwoofer)

Continuous power output:

22 W × 4 (50 Hz to 15 000 Hz, 5 % THD, 4 Ω load, both channels driven)

Load impedance: 4 Ω (4 Ω to 8 Ω allowable)

Preout maximum output level: 2.0 V

Loudness contour: +10 dB (100 Hz), +6.5 dB (10 kHz) (volume: –30 dB)

Equalizer (5-Band Graphic Equalizer):

Frequency: 80 Hz/250 Hz/800 Hz/2.5 kHz/8 kHz

Equalization range: ±12 dB (2 dB step)

Subwoofer (mono):

Frequency: 50 Hz/63 Hz/80 Hz/100 Hz/125 Hz/160 Hz/200 Hz

Slope: –12 dB/oct, –24 dB/oct

Gain: +6 dB to –24 dB

Phase: Normal/Reverse

CD player

System: Compact disc audio system

Usable discs: Compact disc

Signal-to-noise ratio: 94 dB (1 kHz) (IHF-A network)

Number of channels: 2 (stereo)

MP3 decoding format: MPEG-1 & 2 Audio Layer 3

WMA decoding format: Ver. 7, 8, 9, 9.1, 9.2 (2 ch audio)

WAV signal format: Linear PCM & MS ADPCM (Non-compressed)

USB

USB standard specification: USB 2.0 full speed

Maximum current supply: 1.5 A

USB Protocol:

MSC (Mass Storage Class)

MTP (Media Transfer Protocol)

AOA (Android Open Accessory) 2.0

File system: FAT12, FAT16, FAT32

MP3 decoding format: MPEG-1 & 2 Audio Layer 3

WMA decoding format: Ver. 7, 8, 9, 9.1, 9.2 (2 ch audio)

WAV signal format: Linear PCM & MS ADPCM (Non-compressed)

FM tuner

Frequency range: 87.9 MHz to 107.9 MHz

Usable sensitivity: 11 dBf (1.0 μ V/75 Ω , mono, S/N: 30 dB)

Signal-to-noise ratio: 72 dB (IHF-A network)

AM tuner

Frequency range: 530 kHz to 1 710 kHz

Usable sensitivity: 25 μ V (S/N: 20 dB)

Signal-to-noise ratio: 62 dB (IHF-A network)

Warning

This content is compiled from multiple sources and is provided for reference purposes only. It may not be complete or fully applicable to all situations. If you are unable to resolve your issue, please contact the product manufacturer or an authorized service provider for official support.