
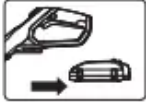










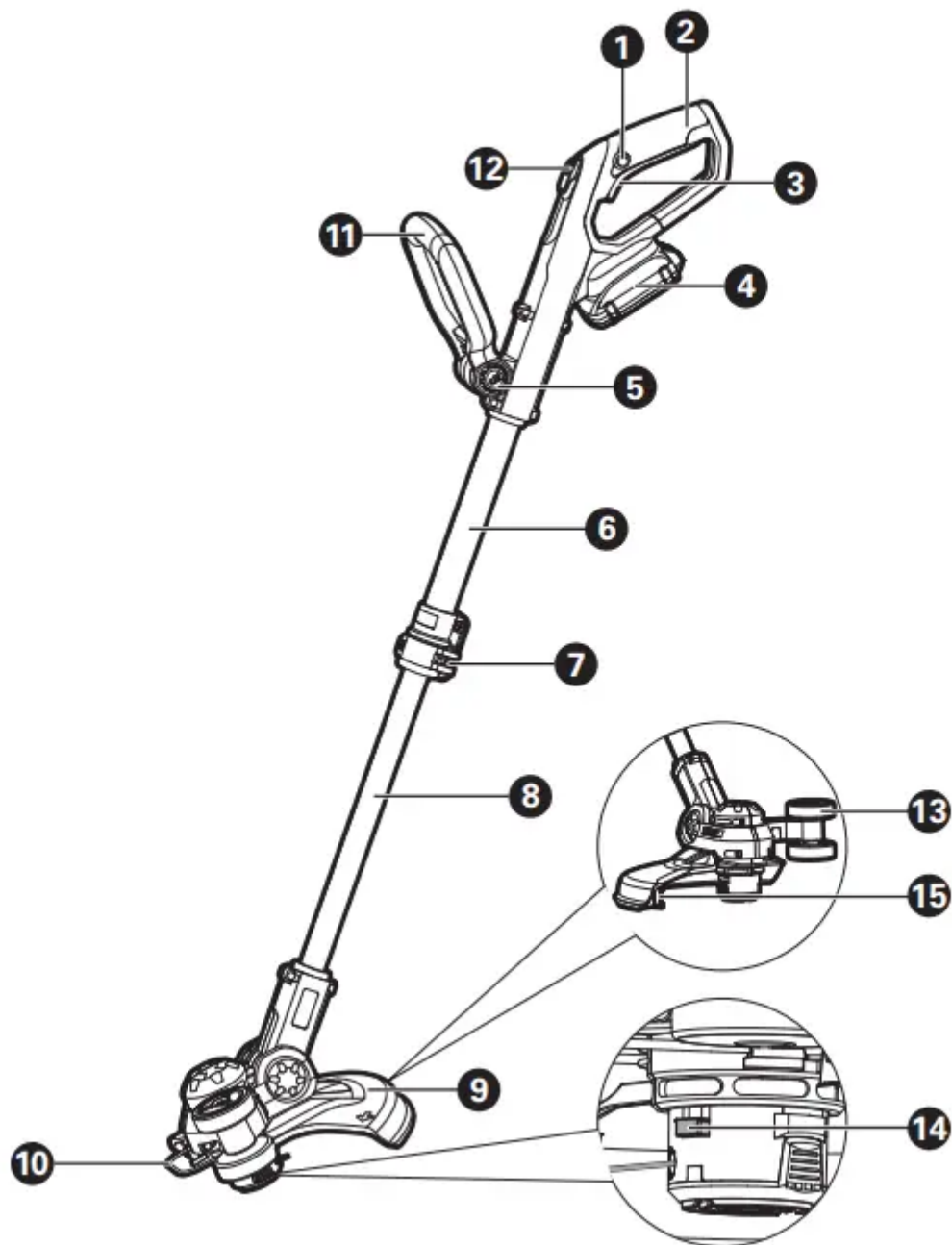


User manual Cordless Trimmer/Edger

SYMBOLS

	<p>To reduce the risk of injury, user must read instruction manual</p>		<p>Make sure the battery is removed prior to changing accessories</p>
	<p>Wear ear protection</p>		
	<p>Wear eye protection</p>		
	<p>To avoid possibility of electric shock, do not use in damp or wet conditions</p>		
	<p>Keep all other people, including children, pets and bystanders outside the 50 feet (15 meters) hazard zone, stop the trimmer immediately if you are approached.</p>		
 Li-Ion	<p>Li-Ion battery, battery must be recycled</p>		
	<p>call2recycle POSITEC Inc. has established a partnership with the RBRC Corporation to recycle any Positec batteries with the RBRC-call2recycle seal. For environmental protection, please do not discard batteries in the trash. After the batteries' life cycle is ended, then please call 1-800-822-8837 for a free service that will properly dispose of the battery.</p>		
	<p>Edging</p>		
	<p>Trimming</p>		
	<p>Lock</p>		
	<p>Unlock</p>		





- 1. LOCK OFF BUTTON
- 2. REAR HANDLE
- 3. ON/OFF SWITCH
- 4. BATTERY PACK *
- 5. HANDLE UNLOCK BUTTON
- 6. UPPER SHAFT
- 7. LOCKING COLLAR

8. LOWER SHAFT
9. SAFETY GUARD
10. FLOWER GUARD
11. AUXILIARY HANDLE
12. COMMAND FEED BUTTON
13. EDGER WHEEL
14. LINE FEED BUTTON
15. LINE CUTTER

* Not all the accessories illustrated or described are included in standard delivery.

TECHNICAL DATA

	WG163 WG163.1 WG163.2 WG163.3 WG163.4	WG163.9	WG180	WG180.9
Voltage	20V --- MAX.*		40V --- MAX.**	
No load speed	7600/min			
Cutting diameter	12inch (30cm)			
Line diameter	0.065inch (1.65mm)			
Charging time	5hrs	/	8hrs	/
Machine weight	5.3lbs (2.4 kg)	4.6lbs (2.1 kg)	5.9lbs (2.7kg)	4.6 lbs

*Voltage measured without workload. Initial battery voltage reaches maximum of 20 volts. Nominal voltage is 18 volts.

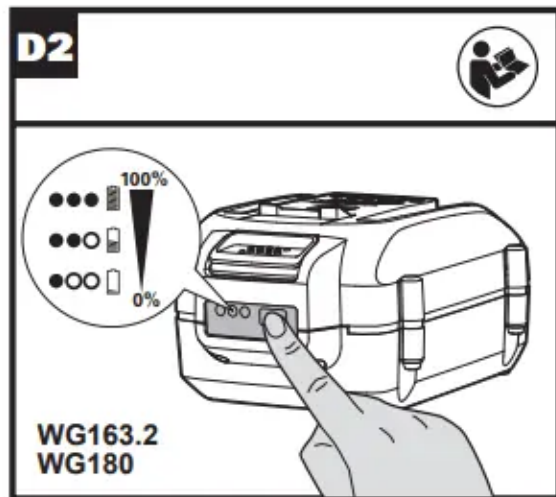
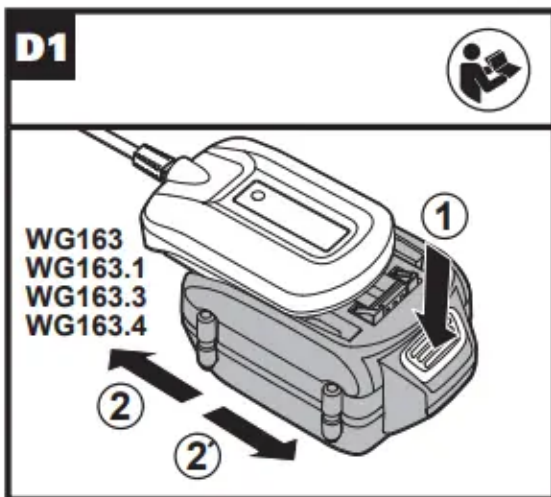
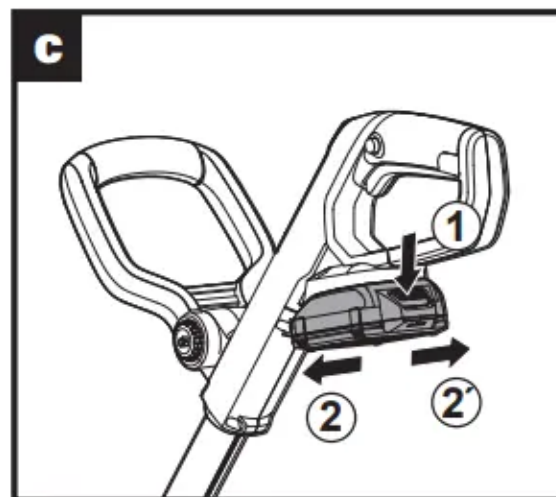
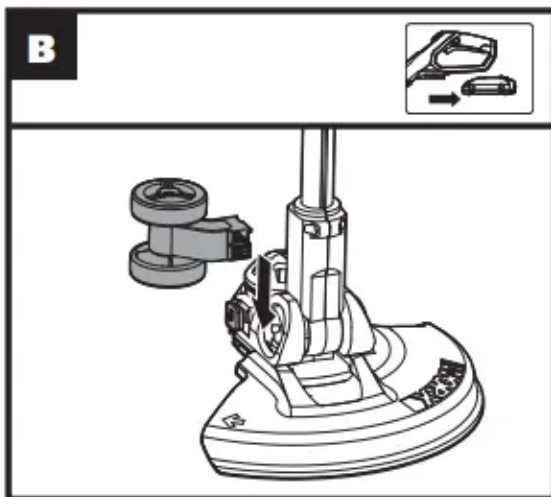
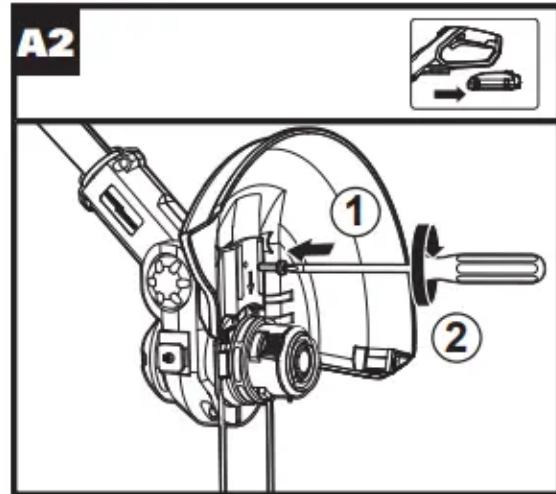
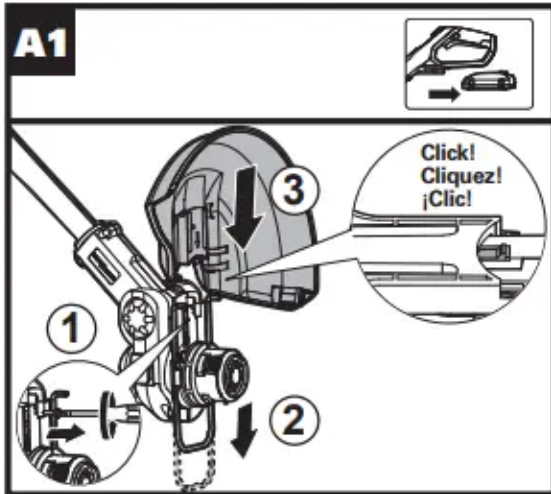
**Voltage measured without workload. Initial battery voltage reaches maximum of 40 volts. Nominal voltage is 36 volts.

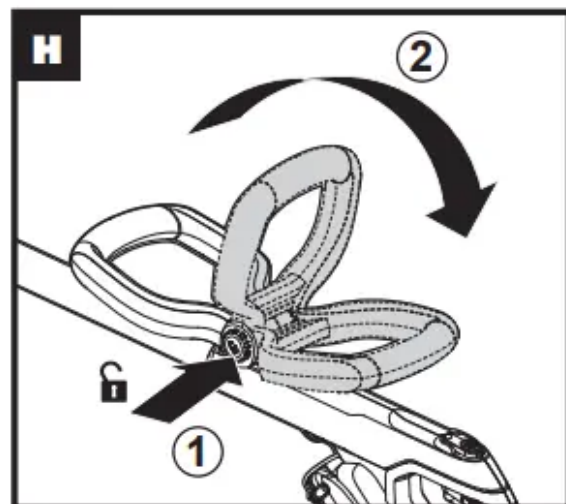
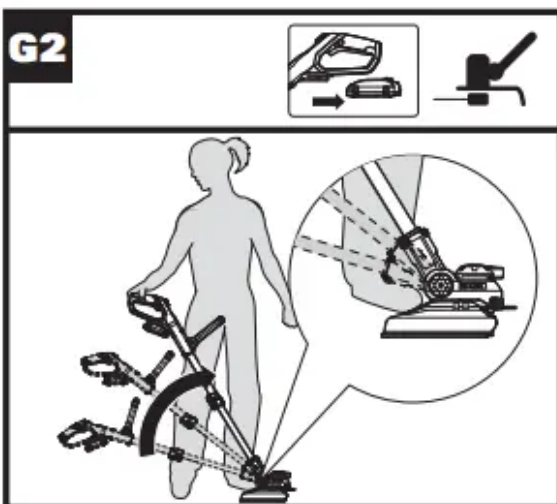
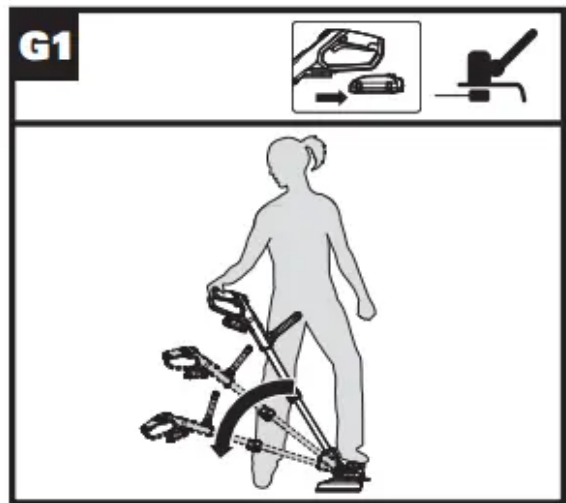
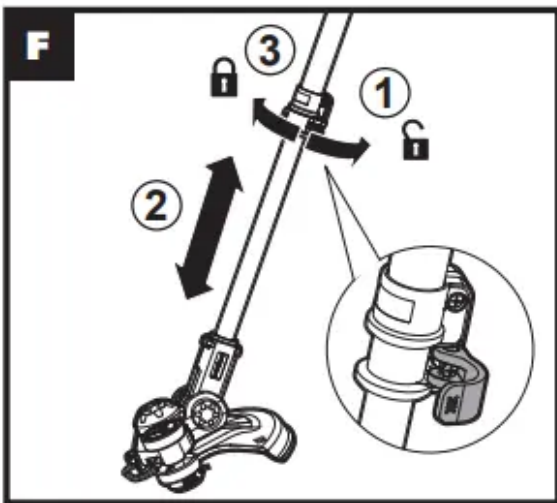
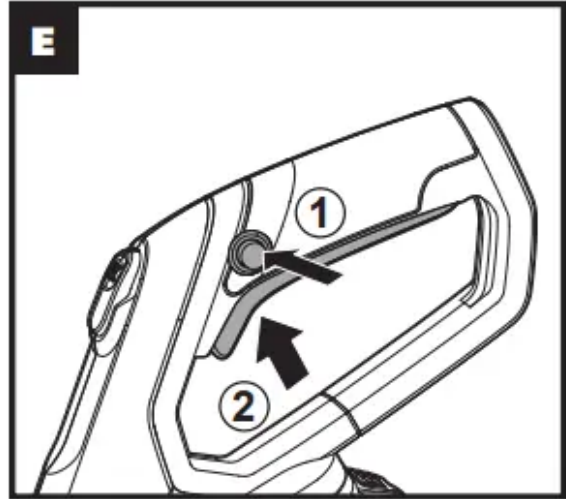
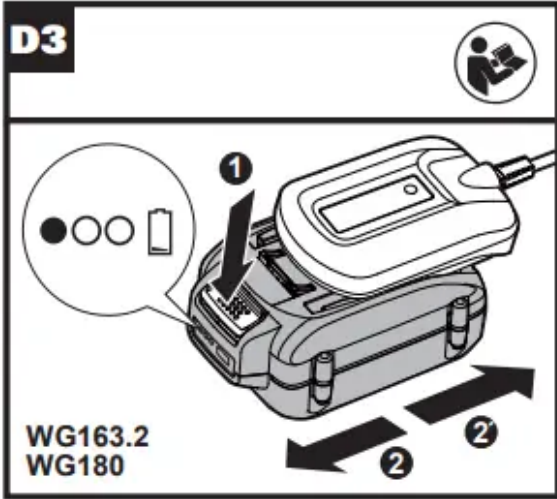
ACCESSORIES

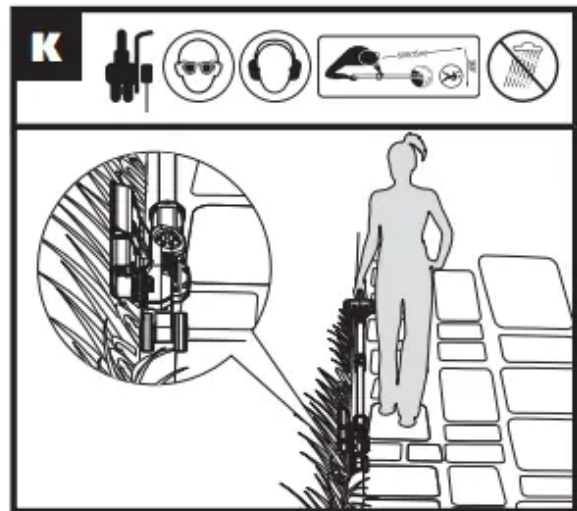
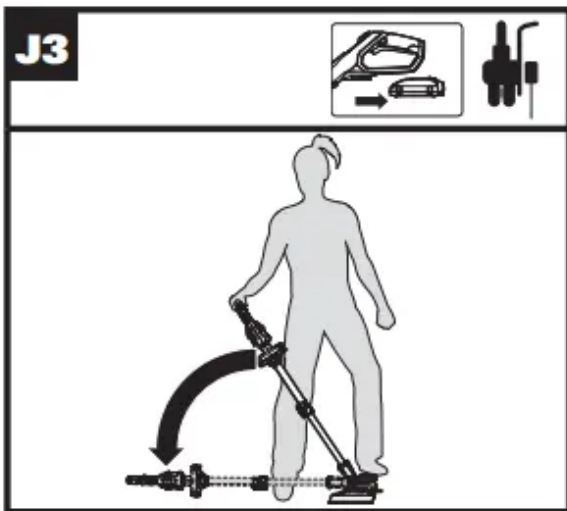
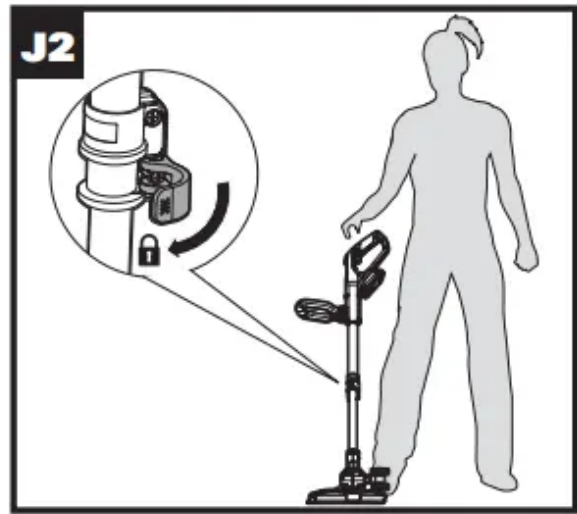
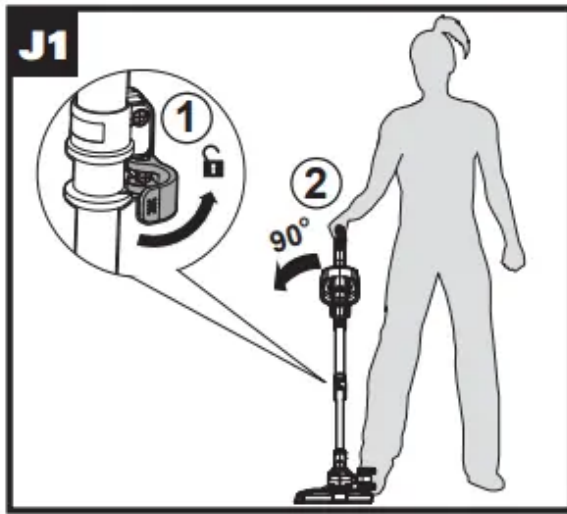
	WG163	WG163.1	WG163.2	WG163.3	WG163.4	WG163.9	WG180	WG180.9
Safety guard	1	1	1	1	1	1	1	1
Flower guard	1	1	1	1	1	1	1	1
Charger	1(WA3742)	1(WA3742)	1(WA3742)	1(WA3742)	1(WA3742)	/	1(WA3747)	/
Battery pack	2(WA3525)	2(WA3525)	1(WA3575)	2(WA3525)	3(WA3525)	/	1(WA3580)	/
Edger wheel	1	1	1	1	1	1	1	1
Spool (WA0004)	1	6	1	1	1	1	1	1
wall mount (WA0138)	/	/	/	1	1	/	/	/
spool holder (WA0044)	/	/	/	1	1	/	/	/

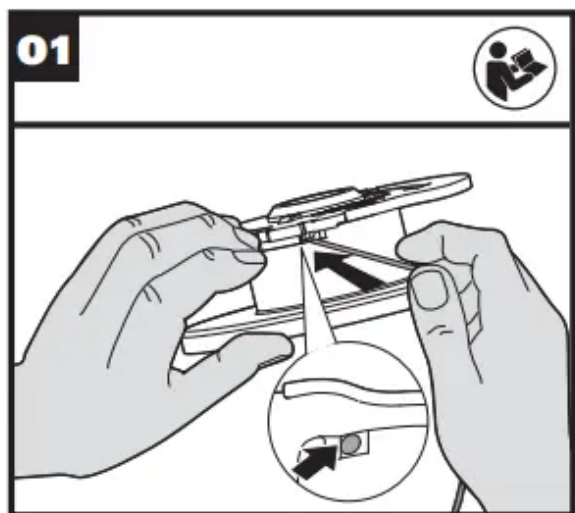
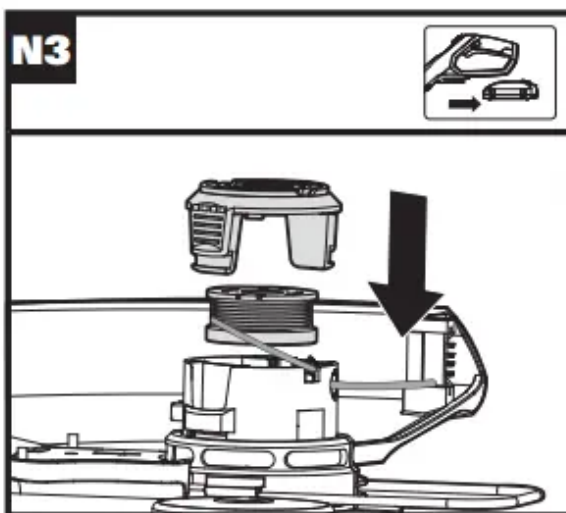
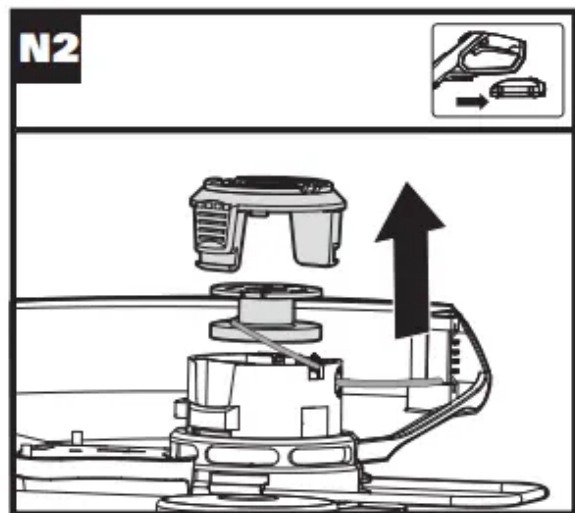
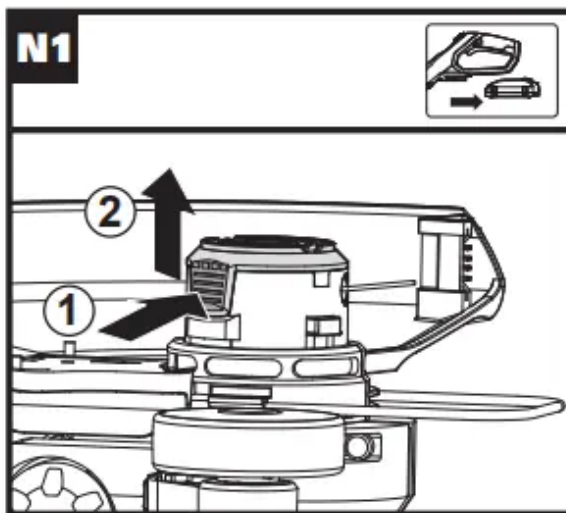
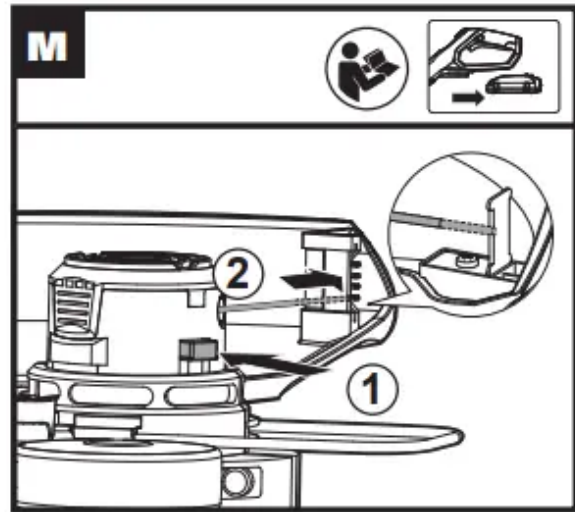
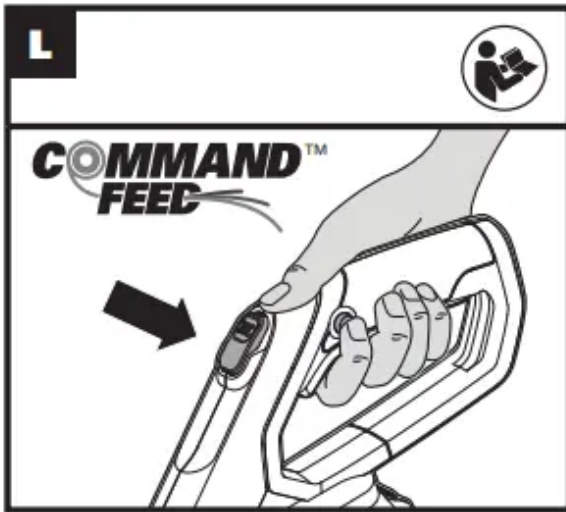
- Only use the appropriate accessories intended for this tool. Accessory information can be found on the product packaging, at a WORX dealer or on our website

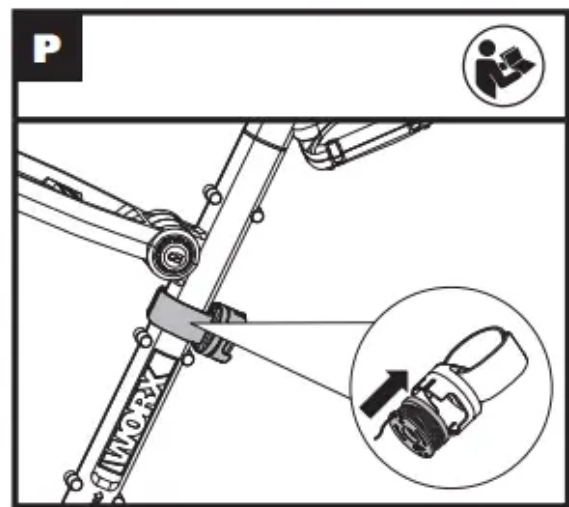
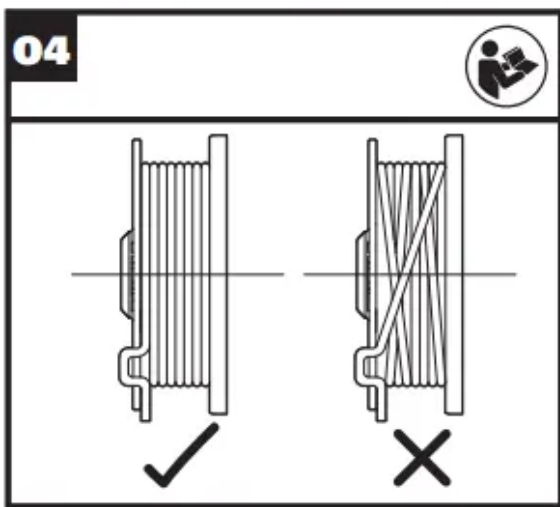
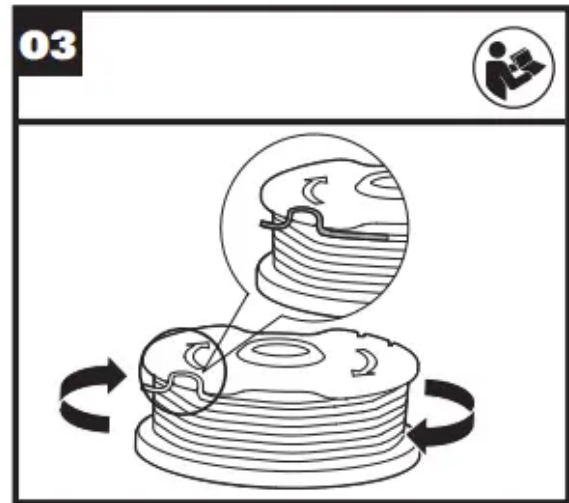
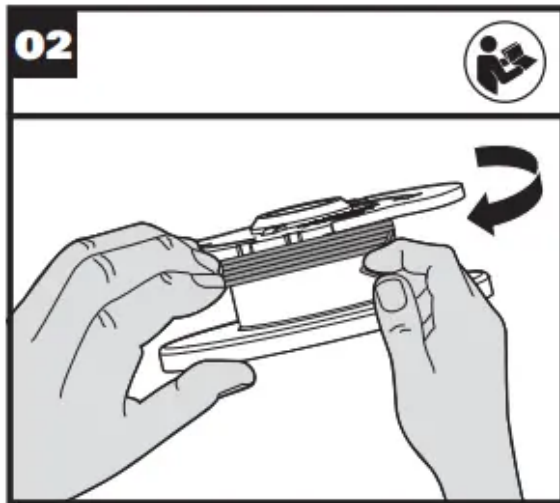
• **WARNING:** Any other accessory or attachment may increase the risk of injury.











ASSEMBLY & OPERATION

ASSEMBLY

- Assembling the Safety Guard
 - See Fig. A1 & A2
- Mounting the Edger Wheel
 - See Fig. B
- Installing and Removing the Battery Pack
 - See Fig. C
- Charging the battery pack More details can be found in charger's manual

- Warning! The charger and battery pack are specially designed to work together so do not attempt to use any other devices. Never insert or allow metallic objects into your charger or battery pack connections because of an electrical failure and hazard will occur.
 - See Fig. D1, D2, D3

OPERATION

- Safety ON/OFF Switch
 - See Fig. E
- Trimming
 - Adjusting the Shaft
 - See Fig. F
 - Adjusting the Trimmer Head
 - See Fig. G1, G2
 - Adjusting the Auxiliary handle
 - See Fig. H
 - Trimming
 - See Fig. I1
 - Using the Flower Guard
 - See Fig. I2
- Edging
 - Changing the tool into the Edging mode
 - See Fig. J1, J2, J3
 - Edging
 - See Fig. K
- Command feeding the line
 - See Fig. L
- Manually feeding the line
 - See Fig. M
- Replacing the trimmer Spool
 - See Fig. N1, N2, N3

- Manually winding the line
 - See Fig. O1, O2, O3, O4
- Spool holder Note: Allows for an additional spool to be stored on the tool.
 - See Fig. P

LINE FEEDING/WINDING INSTRUCTION

1. Automatic line feed system

- When initially switching on the trimmer, a small length of line is fed out. Each time the tool is started from rest it will advance about 0.25 inches of trimmer line.
- A 'clattering' noise will be heard when the lines hit the Line Cutter. **DO NOT BE ALARMED.** This is quite normal. After about 5 seconds the line will be cut to the correct length and the noise will reduce as the motor gains full speed.
- If the noise of the line being cut can't be heard, more line will need to be fed out.
- To feed more line, it is first necessary to allow the trimmer to stop completely; it must come to a complete rest, then restart, allowing the motor to reach full speed.
- Repeat above until you hear the line hitting against the Line Cutter



2. (See Fig. L)

- Your trimmer is equipped with a Command Feed System. For efficiently feeding the line, just press the command feed button while the machine is running until you hear the 'clattering' noise of the line cutting. The motor will shut off when pressing the Command Feed button and will restart when releasing the button. During that process the line will automatically feed additional line for cutting.

3. Manually feeding the line (See Fig. M)

- Turn off the trimmer and remove the battery. If required, line can be fed out manually. To operate, press and release manual Line Feed Button, while gently pulling out the line until it is long enough to reach the Line Cutter. If the line extends past the Line Cutter, too much line has been fed out. If too much line is fed out, remove the Spool Cap and turn Spool counter-clockwise until the line is at the desired length.

4. Manually winding the line (See Fig. O1, O2, O3, O4)

- Take approximately 10ft (3m) of line. Insert 5/8 inch (15mm) of line into the Spool holes and wind line in the direction of the arrows on the top of the Spool. Leave approximately 4 inches (100mm) of line unwound and place into the cleat. Ensure that the line is neatly coiled on the Spool. Failure to do so will impair the efficiency of the automatic line feed. Then fit the Spool as shown in Fig. N1, N2, N3

MAINTENANCE

- After use, disconnect the battery from the tool and check for damage.
- Your power tool requires no additional lubrication or maintenance. There are no user serviceable parts in your power tool. Never use water or chemical cleaners to clean your power tool. Wipe clean with a dry cloth. Always store your power tool in a dry place, and out of the reach of children. Keep the motor ventilation slots clean. Keep all working controls free of dust.

TROUBLESHOOTING

The following table gives problems and actions that you can perform if your machine does not operate correctly. If these do not identify and correct the problem, contact your WORX Customer Service at 1-866-354- WORX.

WARNING: Switch the machine off and remove the battery prior to any troubleshooting.

1. Trimmer fails to operate

- Battery discharged.
 - Recharge battery; also see the content in charger manual
- Battery too hot/cold.
 - Allow to cool/warm.
- Motor is broken.
 - Contact Service Agent.
- Internal wiring of machine damaged.
 - Contact Service Agent.

2. Trimmer runs intermittently

- Motor is broken.
 - Contact Service Agent.
- Battery not fully charged.
 - Recharge battery.
- On/Off switch defective.
 - Contact Service Agent

3. Excessive vibrations/ noise.

- Machine defective.
 - Contact Service Agent. Rewind the line.

- Line spool is not wound well.
 - See “MANUALLY WINDING THE LINE” (Fig. O1, O2, O3, O4)

4. Cutting time per battery charge too short.

- Battery has not been used for long period or only charged for short term.
 - Recharge battery; also see the content in charger manual.
- Grass too high.
 - Cut in stages.
- Battery defective.
 - Replace the battery

5. Machine does not cut.

- Line broken.
 - Replace the line
- Battery not fully charged.
 - Recharge battery; also see the content in charger manual.
- Motor is broken (speed is too low).
 - Contact Service Agent.
- Grass entangled around cutting head.
 - Remove grass.

6. Continuous lighting of the battery charge indicator. No charging procedure possible

- Battery not (properly) inserted.
 - Properly insert battery into battery charger.
- Battery contacts contaminated.
 - Clean the battery contacts or replace the battery
- Battery defective.
 - Replace the battery.

7. Battery charge indicator does not light up.

- Plug of battery charger not plugged in (properly).
 - Insert mains plug (fully) into the socket outlet.
- Socket outlet, mains cable or battery charger defective.
 - Check the mains voltage; have the battery charger checked by an authorized after-sales service agent.

8. Command feed does not work

- Cutting line is not wound well. The line is tangled.
 - Manually feed the line, if still cannot feed out, remove the Spool out and rewind the line.
- Line is used up.
 - Replace with a new spool of line.

IMPORTANT SAFETY INSTRUCTIONS

WARNING! When using electric gardening appliances, basic safety precautions should always be followed to reduce the risk of fire, electric shock, and personal injury, including the following:

WARNING: Read all instructions.

WARNING: This product can expose you to chemicals including lead, phthalate or bisphenol A which are known to the State of California to cause cancer, birth defects or other reproductive harm. Wash your hands after use. For more information go to P65Warnings.ca.gov

FOR ALL APPLIANCES

1. Avoid Dangerous Environment - Don't use appliances in damp or wet locations.
2. Don't Use In Rain.
3. Keep Children Away - All visitors should be kept at a distance from work area.
4. Dress Properly - Do not wear loose clothing or jewelry. They can be caught in moving parts. Wear protective clothing; use of rubber gloves, long pants, long sleeved shirt and substantial footwear is recommended when working outdoors. Wear protective hair covering to contain long hair.
5. Use Safety Glasses - Always use face or dust mask if operation is dusty.
6. Use Right Appliance - Do not use appliance for any job except that for which it is intended.
7. Don't Force Appliance - It will do the job better and with less likelihood of a risk of injury at the rate for which it was designed.
8. Don't overreach - Keep proper footing and balance at all times.
9. Stay Alert - Watch what you are doing. Use common sense. Do not operate appliance when you are tired.
10. Store Idle Appliances Indoors - When not in use, appliances should be stored indoors in dry, and high or locked-up place - out of reach of children.
11. Maintain Appliance With Care - Keep cutting edge sharp and clean for best performance and to reduce the risk of injury. Follow instructions for lubricating and changing accessories. Inspect appliance cord periodically, and if damaged, have it repaired by an

authorized service facility. Inspect extension cords periodically and replace if damaged. Keep handles dry, clean, and free from oil and grease.

12. Check Damaged Parts - Before further use of the appliance, a guard or other part that is damaged should be carefully checked to determine that it will operate properly and perform its intended function. Check for alignment of moving parts, binding of moving parts, breakage of parts, mounting, and any other condition that may affect its operation. A guard or other part that is damaged should be properly repaired or replaced by an authorized service center unless indicated elsewhere in this manual.

FOR ALL BATTERY – OPERATED GARDENING APPLIANCES

1. For all battery-operated gardening appliances

- Do not charge appliance in rain, or in wet locations.
- Do not use battery-operated appliance in rain. Always remove or disconnect battery pack before adjusting, cleaning, servicing or transporting the lawn trimmer.

2. For all battery-operated products employing a detachable or separable battery:

- Use only the following type and size battery(ies): WA3575 / WA3525 / WA3520 (WG163 WG163.1 WG163.2 WG163.3 WG163.4);WA3580 (WG180).
- Do not dispose of the battery(ies) in a fire. The cell may explode. Check with local codes for possible special disposal instructions.
- Do not open or mutilate the battery(ies). Released electrolyte is corrosive and may cause damage to the eyes or skin. It may be toxic if swallowed.
- Exercise care in handling batteries in order not to short the battery with conducting materials such as rings, bracelets, and keys. The battery or conductor may overheat and cause burns.

3. Avoid unintentional starting – Do not insert the battery with your finger on the switch. Be sure the switch is off when inserting the battery.

ADDITIONAL SAFETY RULES FOR LAWN TRIMMER AND EDGE TRIMMER

1. Keep guards in place and in good working order.
2. Keep hands and feet away from cutting area.
3. Do not use heavier lines than recommended in this manual.
4. Do not use line materials of other types – for example, metal wire, rope, and the like.

GENERAL SAFETY WARNINGS WARNING: Read all safety warnings and instructions. Failure to follow the warnings and instructions may result in electric shock, fire and/or serious injury.

1. WARNING: Risk of fire and burns. Do not disassemble, heat above 100°C (212°F), or incinerate. Do not expose cells or batteries to heat or fire. Avoid storage in direct sunlight.
2. Dispose of used battery promptly.. When disposing of secondary cells or batteries, keep cells or batteries of different electrochemical systems separate from each other.
3. Keep battery out of reach of children and in original package until ready to use.
4. Never put batteries in mouth. If swallowed, contact your physician or local poison control center.
5. CAUTION – The battery used in this device may present a risk of fire or chemical burn if mistreated. Replace battery with (WORX) only. Use of another battery may present a risk of fire or explosion
6. Warning: Do not use a visibly damaged battery pack or appliance as applicable.
7. Warning: Do not modify or attempt to repair the appliance or the battery pack as applicable.
8. BATTERY MUST BE RECYCLED 9) Do not short-circuit a cell or battery. Do not store cells or batteries haphazardly in a box or drawer where they may shortcircuit each other or be short-circuited by conductive materials.
9. Do not subject cells or batteries to mechanical shock.
10. Keep cells and batteries clean and dry. Wipe the cell or battery terminals with a clean dry cloth if they become dirty.
11. Do not maintain secondary cells and batteries on charge when not in use.
12. Retain the original cell and battery literature for future reference.
13. Do not use any charger other than that specifically provided for use with the equipment. Secondary cells and batteries need to be charged before use. Always use the correct charger and refer to the manufacturer's instructions or equipment manual for proper charging instructions.
14. When possible, remove the battery from the equipment when not in use.
15. Prevent unintentional starting. Ensure the switch is in the off-position before connecting to battery pack, picking up or carrying the appliance. Carrying the appliance with your finger on the switch or energizing appliance that have the switch on invites accidents.
16. Disconnect the battery pack from the appliance before making any adjustments, changing accessories, or storing appliance. Such preventive safety measures reduce the risk of starting the appliance accidentally.

17. Under abusive conditions, liquid may be ejected from the battery; avoid contact. If contact accidentally occurs, flush with water. If liquid contacts eyes, additionally seek medical help. Liquid ejected from the battery may cause irritation or burns.
18. Have servicing performed by a qualified repair person using only identical replacement parts. This will ensure that the safety of the product is maintained.

Warning

This content is compiled from multiple sources and is provided for reference purposes only. It may not be complete or fully applicable to all situations. If you are unable to resolve your issue, please contact the product manufacturer or an authorized service provider for official support.