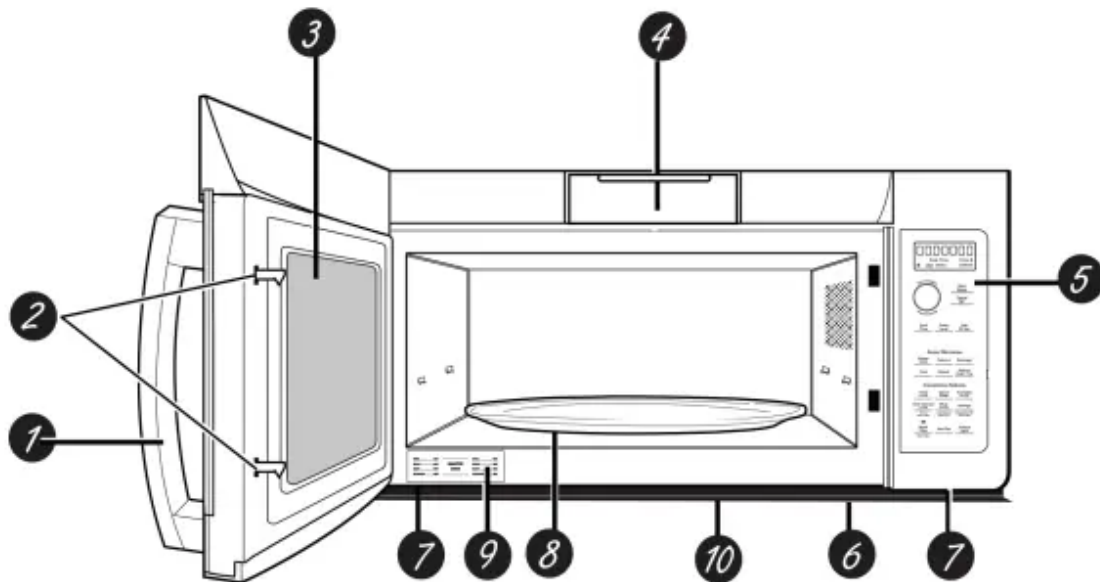


Features

Throughout this manual, features and appearance may vary from your model.



1. **Door Handle.** Pull to open the door. The door must be securely latched for the microwave to operate.
2. **Door Latches.**
3. **Window with Metal Shield.** Screen allows cooking to be viewed while keeping microwaves confined in the oven.
4. **Charcoal Filter Door.** Push down two button to open the door. You can change charcoal filter easily.
5. **Control Panel and Selector Dial.**
6. **Cooktop Light.**
7. **Grease Filter.**
8. **Removable Turntable.** Turntable and support must be in place when using the oven. The turntable may be removed for cleaning.
9. **Rating Plate.**
10. **Deflector.** Provides robustness from cooktop heat. Do not remove.

NOTE: Oven vent(s) and oven light are located on the inside walls of the microwave oven.

Controls

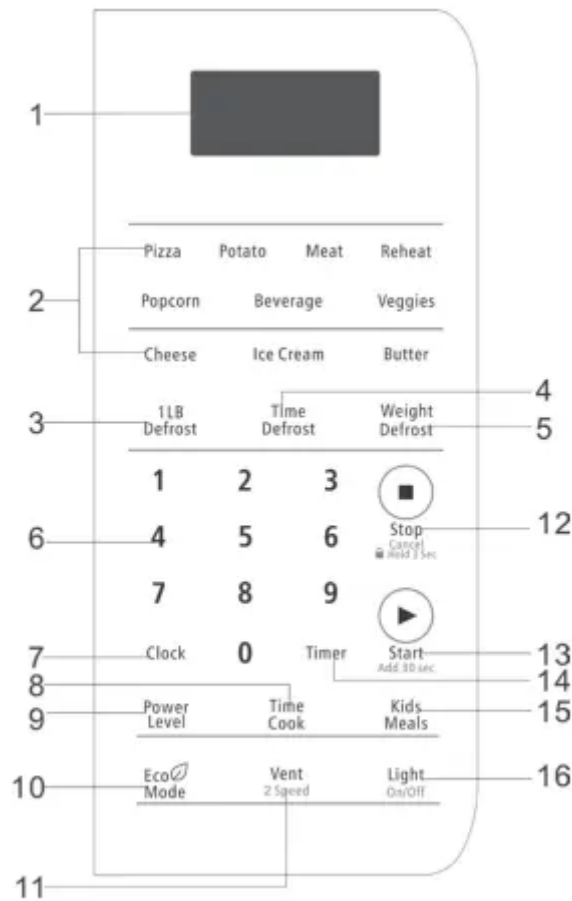
Throughout this manual, features and appearance may vary from your mode

Microwave Cooking Time and Auto Features

Press	Turn and push dial to enter
Cook Time	Amount of cooking time
Press once (Cook Time I) to microwave any time between 15 seconds and 99 minutes.	
Press twice (Cook Time II) to change power levels automatically during cooking.	
Power Level	Power level 1–10
Add 30 sec.	Starts immediately!
Defrost Weight/Time	
Press once (Weight Defrost)	Food weight up to six pounds
Press twice (Timed Defrost)	Amount of defrosting time
Beverage	Starts immediately!

Sensor Features

Press	Turn and push dial to enter	Option
Steam Cook/Food Typ	Food Type	
Popcorn	Starts immediately!	
Cook	Food Type	
Reheat	Food Type	
Pizza	Food Type	
Potato	Food Type	
Meat	Food Type	
Veggies	Food Type	
Butter	Food Type	



Time and Auto Microwave Features

Use number pad to choose cooking power level			
Number pad	Percent (Name)	Number pad	Percent (Name)
1,0	100% (High)	4	40% (Medium Low)
9	90% (Sauté)	3	30% (Defrost)
8	80% (Reheat)	2	20% (Low)
7	70% (Medium High)	1	10% (Warm)
6	60% (Simmer)	0	0% (No Power)
5	50% (Medium)		

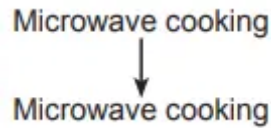
For example, suppose you want to cook at 80% power level for 10 minutes.

1. In standby mode, press Time Cook pad once.
2. Use the number pads to enter cooking time.
3. Press Power Level pad once, and then use the number pad “8” to select 80% power level.
4. Press Start/Add 30Sec pad to confirm.

NOTE: During cooking you can press Power level pad to check the power level, and you can adjust the power level by pressing number pads when the display shows the power level.

Multi stage cooking

For best results, some recipes call for different cook power during different stages of a cook cycle. You can program your oven to switch from one power to another for up to 2 stages. For example, suppose you want to set the following cooking program.



1. In standby mode, input the first Microwave cooking. Do not press Start/Add 30Sec pad
2. Press Time Cook pad once, and then input the second Microwave cooking.
3. Press Start/Add 30Sec to start.

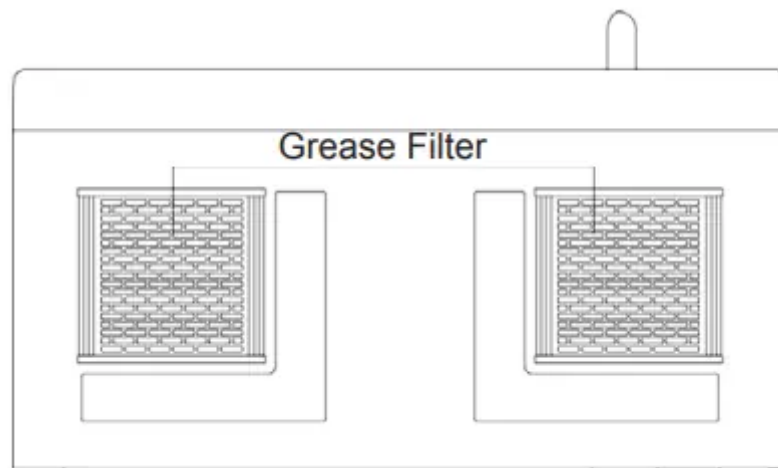
Sensor Microwave Features

Soak the filter in a sink or dish pan filled with hot water and detergent. DO NOT use ammonia or other alkali; they will react with the filter material and darken it.

Agitate and scrub with a brush to remove embedded dirt.

Rinse thoroughly and shake dry.

Replace by fitting the filter back into the opening.



Light

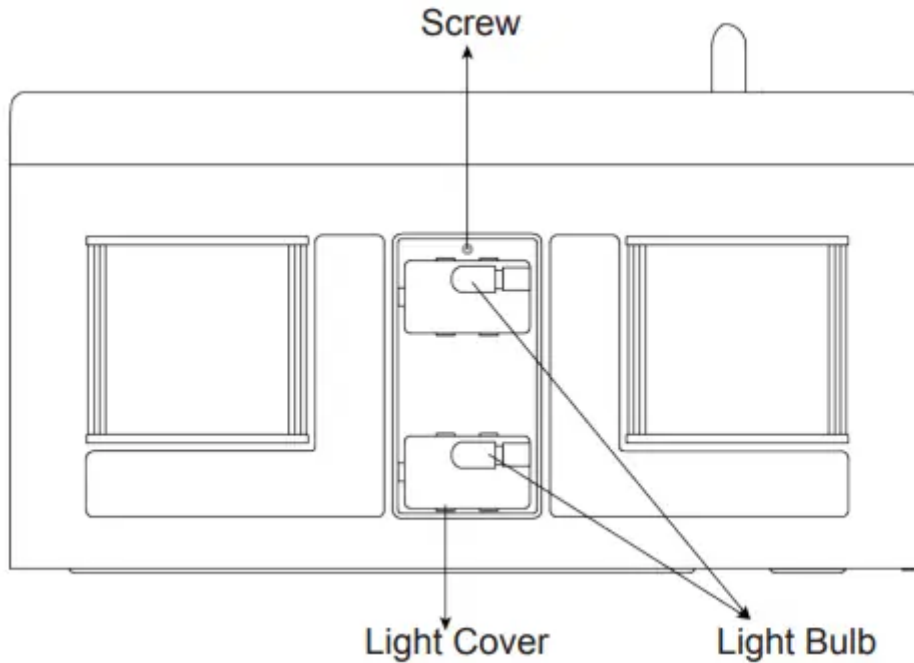
To replace light bulbs, first disconnect power to the oven at the circuit breaker panel or by unplugging.

To release cover, remove the screw on the light cover. (See illustration.)

DO NOT USE A BULB LARGER THAN 30 WATTS.

Close light cover and secure with screw removed in step 2.

CAUTION: Light cover may become very hot. Do not press glass when light is on.



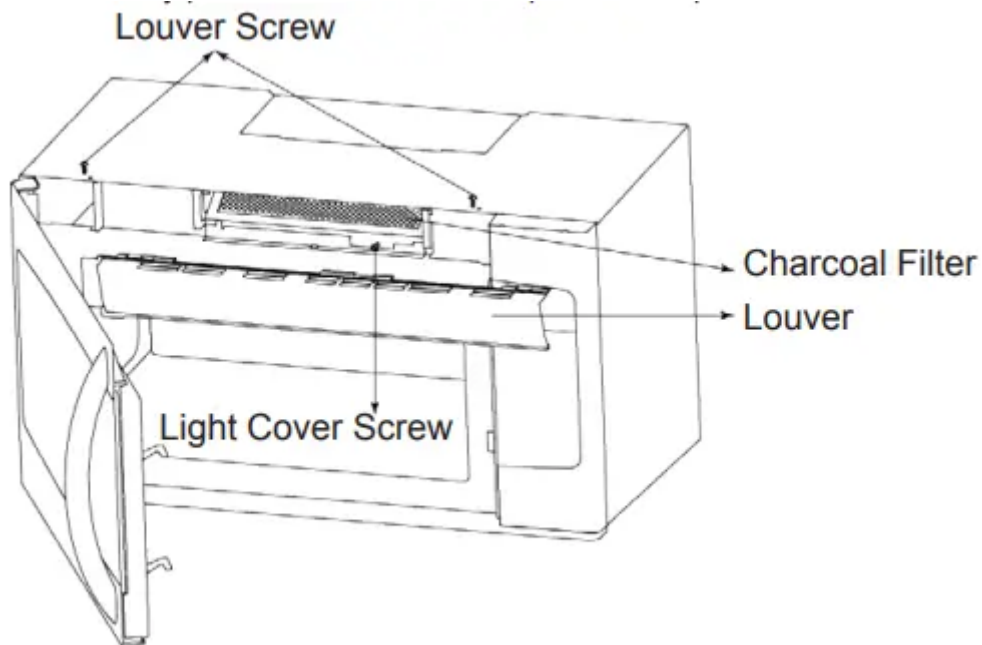
Charcoal Filter

Charcoal filter is used for nonvented, recirculated installation. The filter should be changed every 6 to 12 months depending on use.

- Disconnect power to the oven at the circuit breaker panel or by unplugging.
- Remove the louver mounting screw from the top center of the louver and push down carefully on the tab at each end of the louver to disengage it. (See illustration.)
- Pull the louver away from the unit.

Other Features

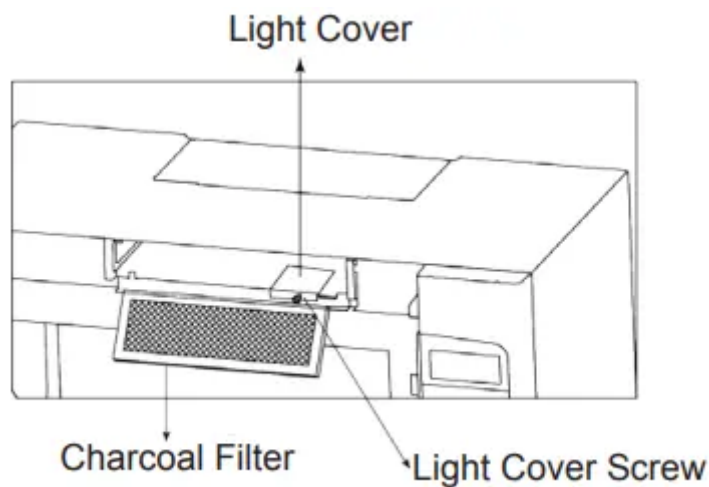
- Change the charcoal filter.
- Carefully push the louver back into place and replace the screw remove in step 2.



Oven Light

Remove the louver per instructions 1~3 above and charcoal filter, if used.

- Open light cover located behind filter mounting by carefully pulling up on the front edge.



- DO NOT USE A BULB LARGER THAN 30 WATTS.
- Replace the oven light cover by carefully pushing into place. Replace the charcoal filter, if used. Push the louver back into place and replace the louver mounting screw.

Care and Cleaning

Helpful Hints

An occasional thorough wiping with a solution of baking soda and water keeps the inside fresh.

Be certain the oven control is turned off before cleaning any part of this oven.

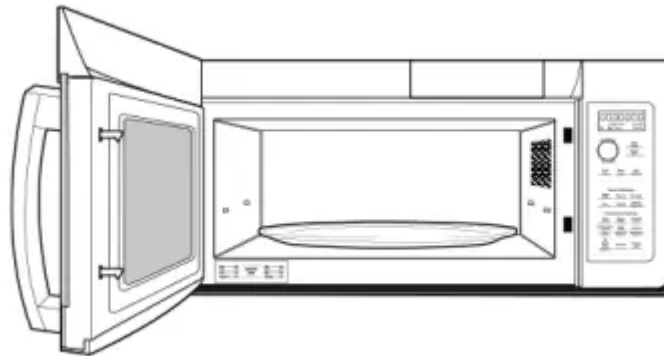


How to Clean the Inside

Walls, Floor, Inside Window, Metal and Plastic Parts on the Door

Some spatters can be removed with a paper towel; others may require a damp cloth. Remove greasy spatters with a sudsy cloth, then rinse with a damp cloth. Do not use abrasive cleaners or sharp utensils on oven walls.

Never use a commercial oven cleaner on any part of your microwave



Removable Turntable and Turntable Support

To prevent breakage, do not place the turntable into water just after cooking. Wash it carefully in warm, sudsy water or in the dishwasher. The turntable and support can be broken if dropped. Remember, do not operate the oven in the microwave mode without the turntable and support seated and in place.



How to Clean the Outside

We recommend against using cleaners with ammonia or alcohol, as they can damage the appearance of the microwave oven. If you choose to use a common household cleaner, first apply the cleaner directly to a clean cloth, then wipe the soiled area.

Case

Clean the outside of the microwave with a sudsy cloth. Rinse and then dry. Wipe the window clean with a damp cloth.

Control Panel

Wipe with a damp cloth. Dry thoroughly. Do not use cleaning sprays, large amounts of soap and water, abrasives or sharp objects on the panel—they can damage it. Some paper towels can also scratch the control panel.

Door Panel

Before cleaning the front door panel, make sure you know what type of panel you have. Refer to the eighth digit of the model number. “S” is stainless steel, “L” is CleanSteel and “B”, “W” or “C” are plastic colors.

Stainless Steel (on some models)

The stainless steel panel can be cleaned with Stainless Steel Magic or a similar product using a clean, soft cloth. Apply stainless cleaner carefully to avoid the surrounding plastic parts. Do not use appliance wax, polish, bleach or products containing chlorine on Stainless Steel finishes.

Plastic Color Panels

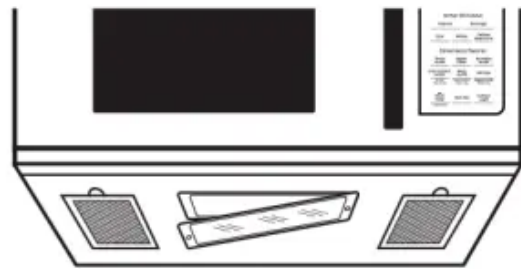
Use a clean, soft, lightly dampened cloth, then dry thoroughly.

Door Seal

It's important to keep the area clean where the door seals against the microwave. Use only mild, nonabrasive detergents applied with a clean sponge or soft cloth. Rinse well.

Bottom

Clean off the grease and dust on the bottom often. Use a solution of warm water and detergent.



Troubleshooting Tips... Before you call for service

Save time and money! Review the charts on the following pages first and you may not need to call for service.

Problem	Possible Cause	What To Do
Oven will not start	A fuse in your home may be blown or the circuit breaker tripped.	Replace fuse or reset circuit breaker.
	Power surge.	Unplug the microwave oven, then plug it back in
	Plug not fully inserted into wall outlet.	Make sure the 3-prong plug on the oven is fully inserted into wall outlet.
	Door not securely closed.	Open the door and close securely.
Floor of the oven is warm even when the oven has not been used	Heat from the cooktop light may make the floor get warm.	This is normal.
You hear an unusual lowtone beep	You have tried to change the power level when it is not allowed.	Many of the oven's features are preset and cannot be changed.
Food amount too large for Sensor Reheat	Sensor Reheat is for single servings of recommended foods	Use TIME COOK for large amounts of food

Things That Are Normal With Your Microwave Oven

- Steam or vapor escaping from around the door.
- Light reflection around door or outer case.
- Dimming oven light and change in the blower sound at power levels other than high.
- Dull thumping sound while oven is operating.

Warning

This content is compiled from multiple sources and is provided for reference purposes only. It may not be complete or fully applicable to all situations. If you are unable to resolve your issue, please contact the product manufacturer or an authorized service provider for official support.